



US00D975583S

(12) **United States Design Patent**
Hinrichs

(10) **Patent No.:** **US D975,583 S**
(45) **Date of Patent:** **** Jan. 17, 2023**

(54) **SUNROOF INSERTS FOR REMOVABLE ROOF PANEL**

(71) Applicant: **Christopher W. Hinrichs**, Delafield, WI (US)

(72) Inventor: **Christopher W. Hinrichs**, Delafield, WI (US)

(**) Term: **15 Years**

(21) Appl. No.: **29/754,632**

(22) Filed: **Oct. 13, 2020**

(51) **LOC (14) Cl.** **12-16**

(52) **U.S. Cl.**
USPC **12/16; D25/38; D25/43**

(58) **Field of Classification Search**
USPC D12/404, 401, 414, 414.1; D21/433-434, D21/548; D25/38, 43

(Continued)

(56) **References Cited**

U.S. PATENT DOCUMENTS

D289,994 S * 5/1987 McNab D12/345
5,898,368 A * 4/1999 Handley G08B 29/14
340/506

(Continued)

OTHER PUBLICATIONS

“1995-2002 OEM Chevy Camaro Pontiac Firebird T-Top Roof Glass Window L R IT6765” ebay.com, post Published: Unavailable. Retrieved Nov. 14, 2022. Available online at URL: <https://www.ebay.com/itm/175247304086> (Year: 2022).*

(Continued)

Primary Examiner — Christian P. McLean

Assistant Examiner — Jessica Lynn Devilbiss

(74) *Attorney, Agent, or Firm* — Donald J. Ersler

(57) **CLAIM**

The ornamental design for sunroof inserts for removable roof panels, as shown and described.

DESCRIPTION

FIG. 1 is a top plan view of sunroof inserts for removable roof panels incorporating my new design;

FIG. 2 is a top perspective view of a driver side sunroof insert thereof;

FIG. 3 is a front view of a driver side sunroof insert thereof;

FIG. 4 is a rear view of a driver side sunroof insert thereof;

FIG. 5 is a right side view of a driver side sunroof insert thereof;

FIG. 6 is a left side view of a driver side sunroof insert thereof;

FIG. 7 is a top plan view of a driver side sunroof insert thereof;

FIG. 8 is a bottom perspective view of a driver side sunroof insert thereof;

FIG. 9 is a top perspective view of a passenger side sunroof insert thereof;

FIG. 10 is a front view of a passenger side sunroof insert thereof;

FIG. 11 is a rear view of a passenger side sunroof insert thereof;

FIG. 12 is a right side view of a passenger side sunroof insert thereof;

FIG. 13 is a left side view of a passenger side sunroof insert thereof;

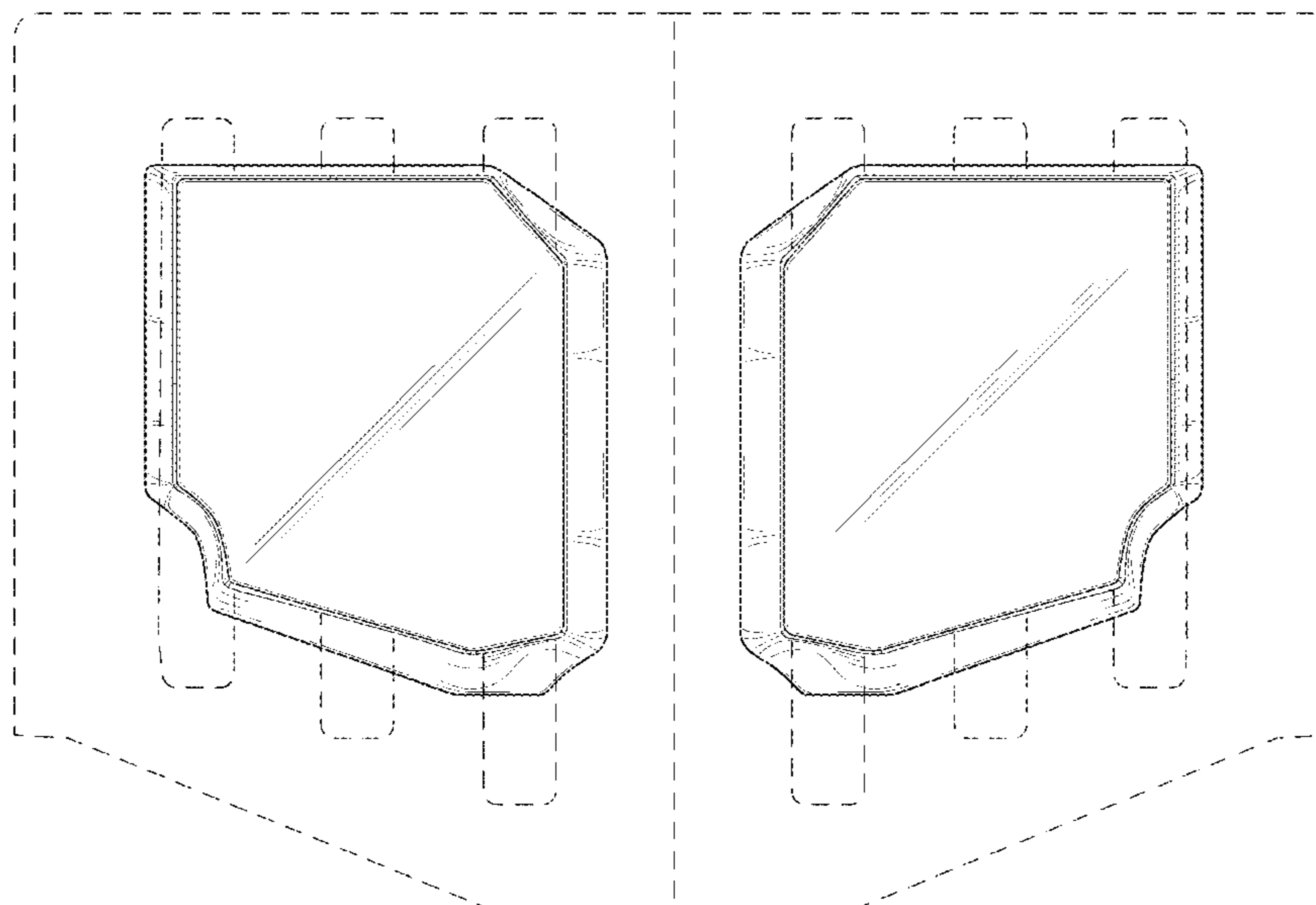
FIG. 14 is a top plan view of a passenger side sunroof insert thereof;

FIG. 15 is a bottom perspective view of a passenger side sunroof insert thereof; and,

FIG. 16 is a bottom plan view of sunroof inserts for removable roof panels.

The broken lines shown in the drawings illustrate portions of the sunroof inserts for removable roof panels that form no part of the claimed invention.

1 Claim, 12 Drawing Sheets



(58) **Field of Classification Search**

CPC G08B 29/00; B62D 65/06; B60J 10/70
See application file for complete search history.

(56) **References Cited**

U.S. PATENT DOCUMENTS

D636,719 S * 4/2011 Hinrichs D12/404
D667,773 S * 9/2012 Hinrichs D12/404
D817,255 S * 5/2018 Volpicelli D12/404
11,279,424 B1 * 3/2022 Hinrichs B62D 65/06

OTHER PUBLICATIONS

“JL/JLU/ JT Jeetops—Process Your Owned Tops” JeeTops.com,
post Published: Unavailable. Retrieved Nov. 14, 2022. Available
online at URL: <https://jeetop.com/product/buy-new-jl-jeetops-exchange/> (Year: 2022).*

* cited by examiner

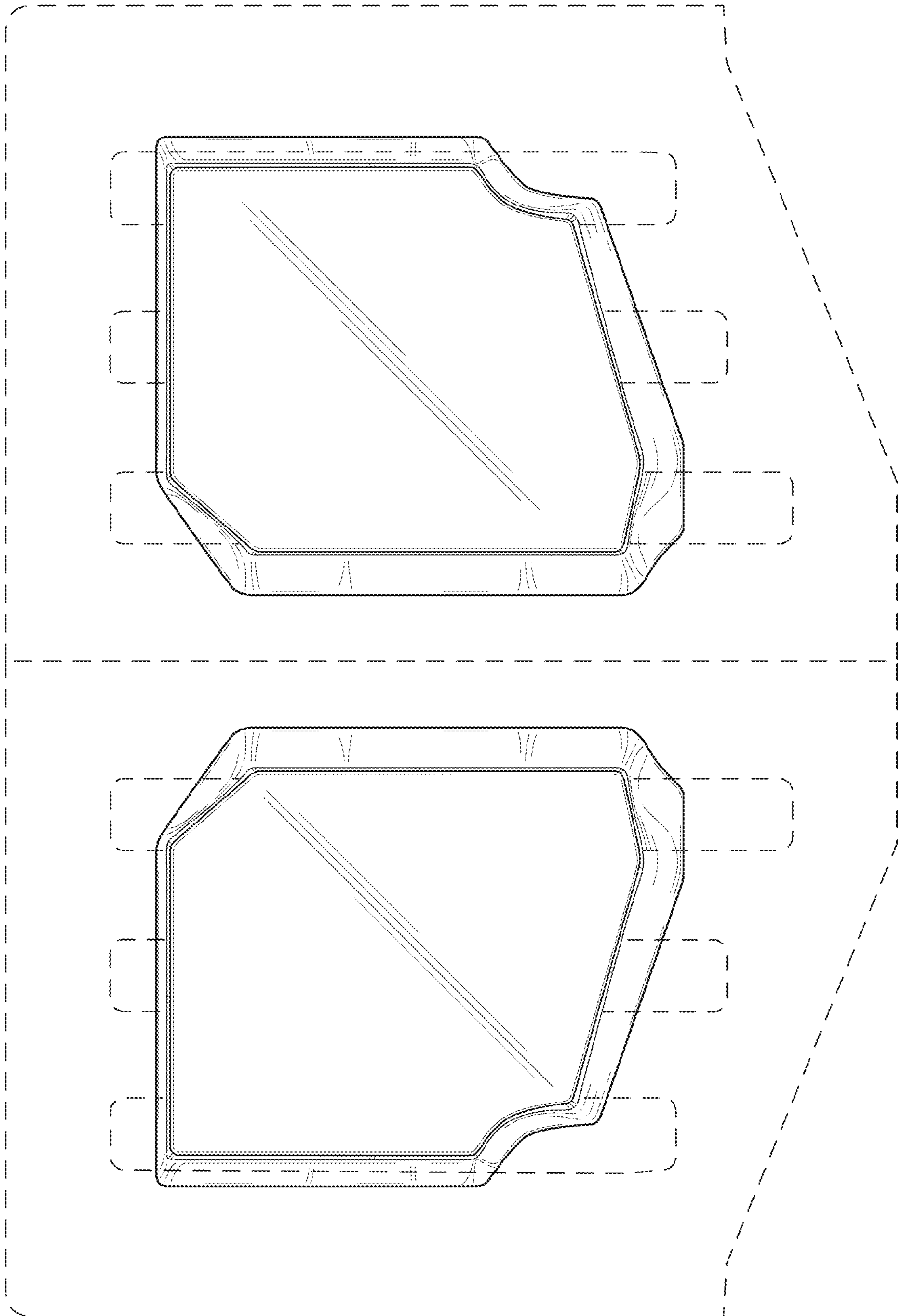


FIG. 1

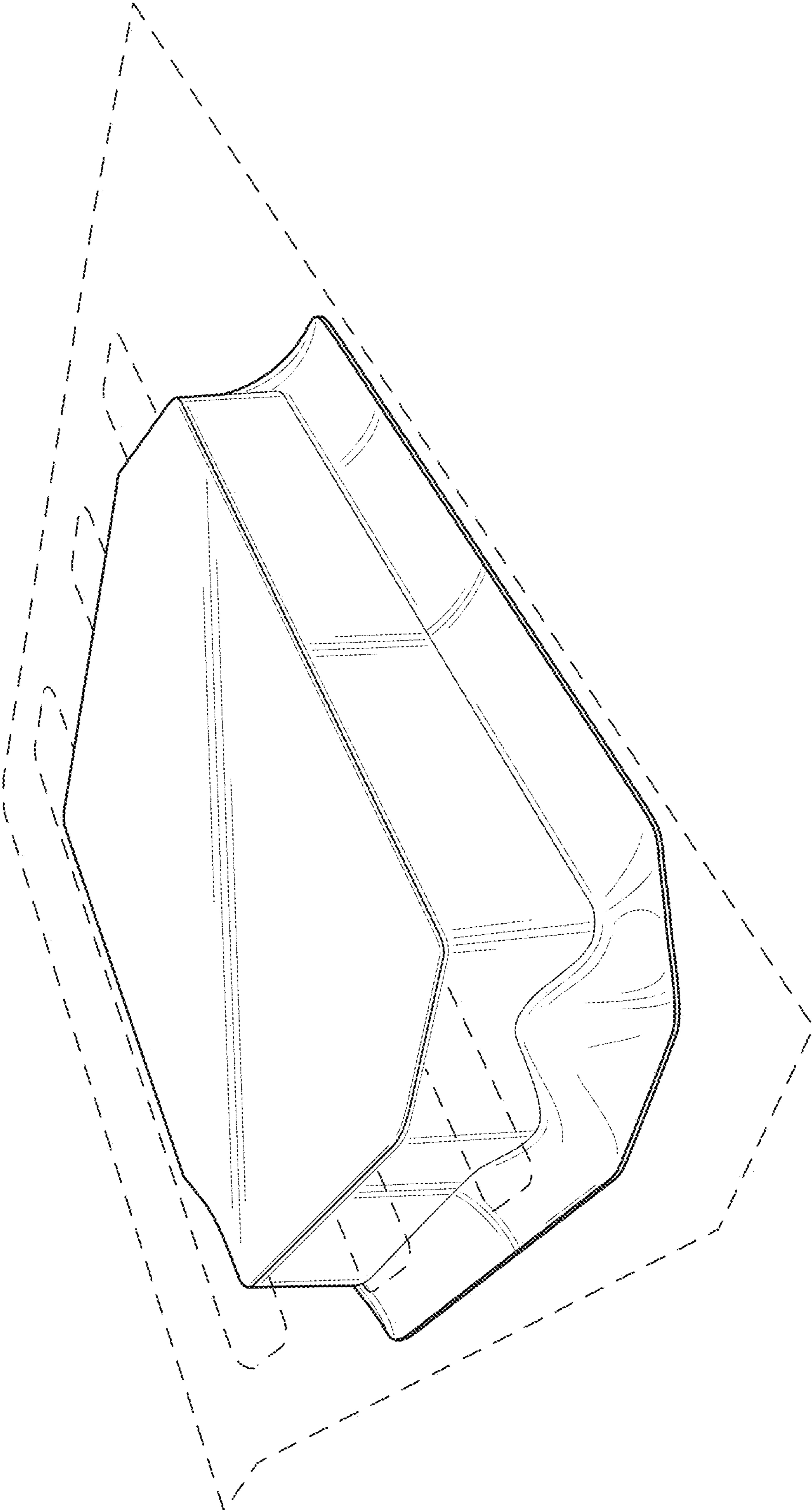


FIG. 2

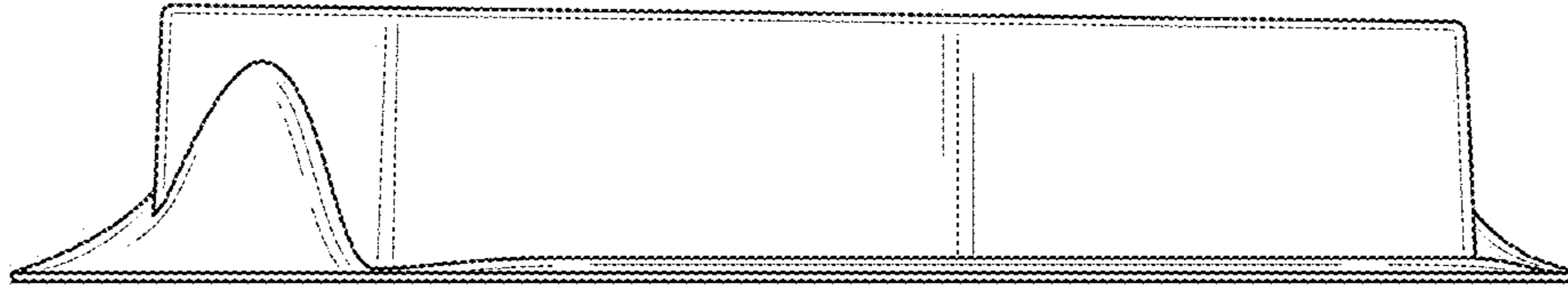


FIG. 3

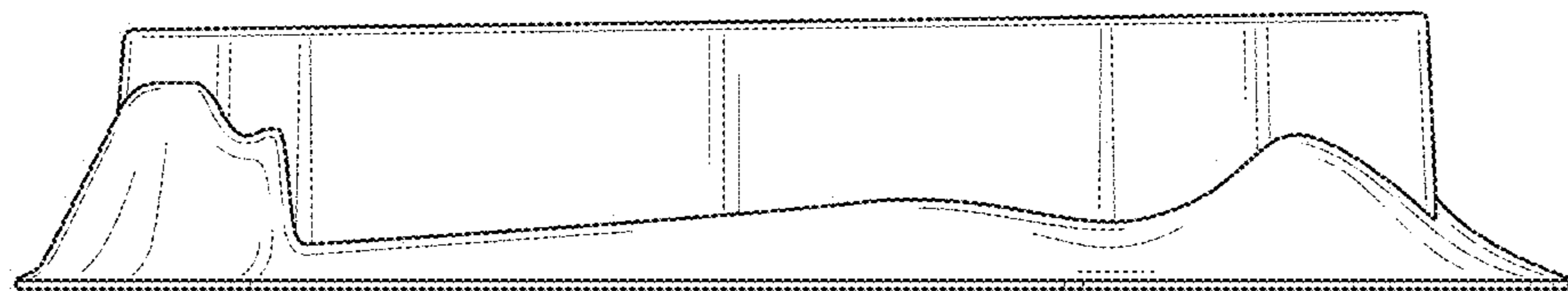


FIG. 4

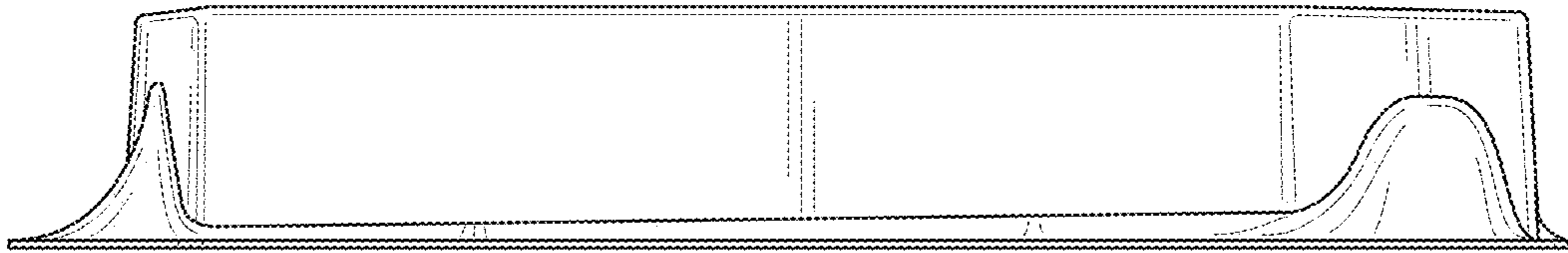


FIG. 5

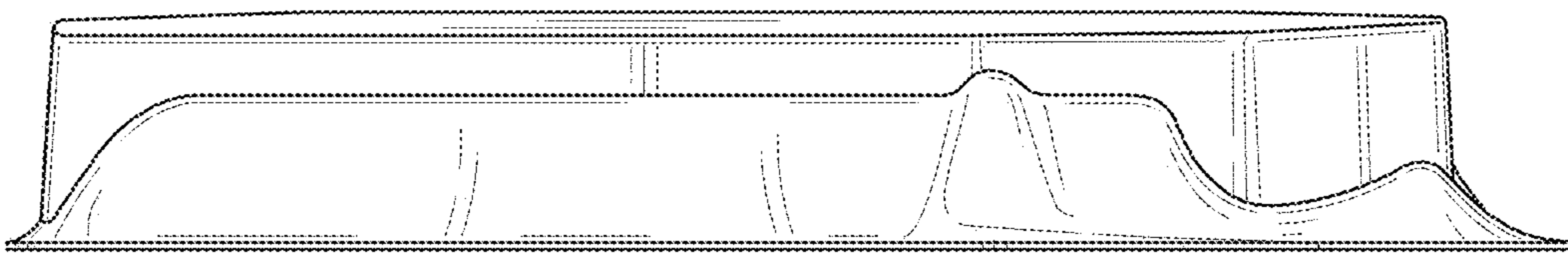


FIG. 6

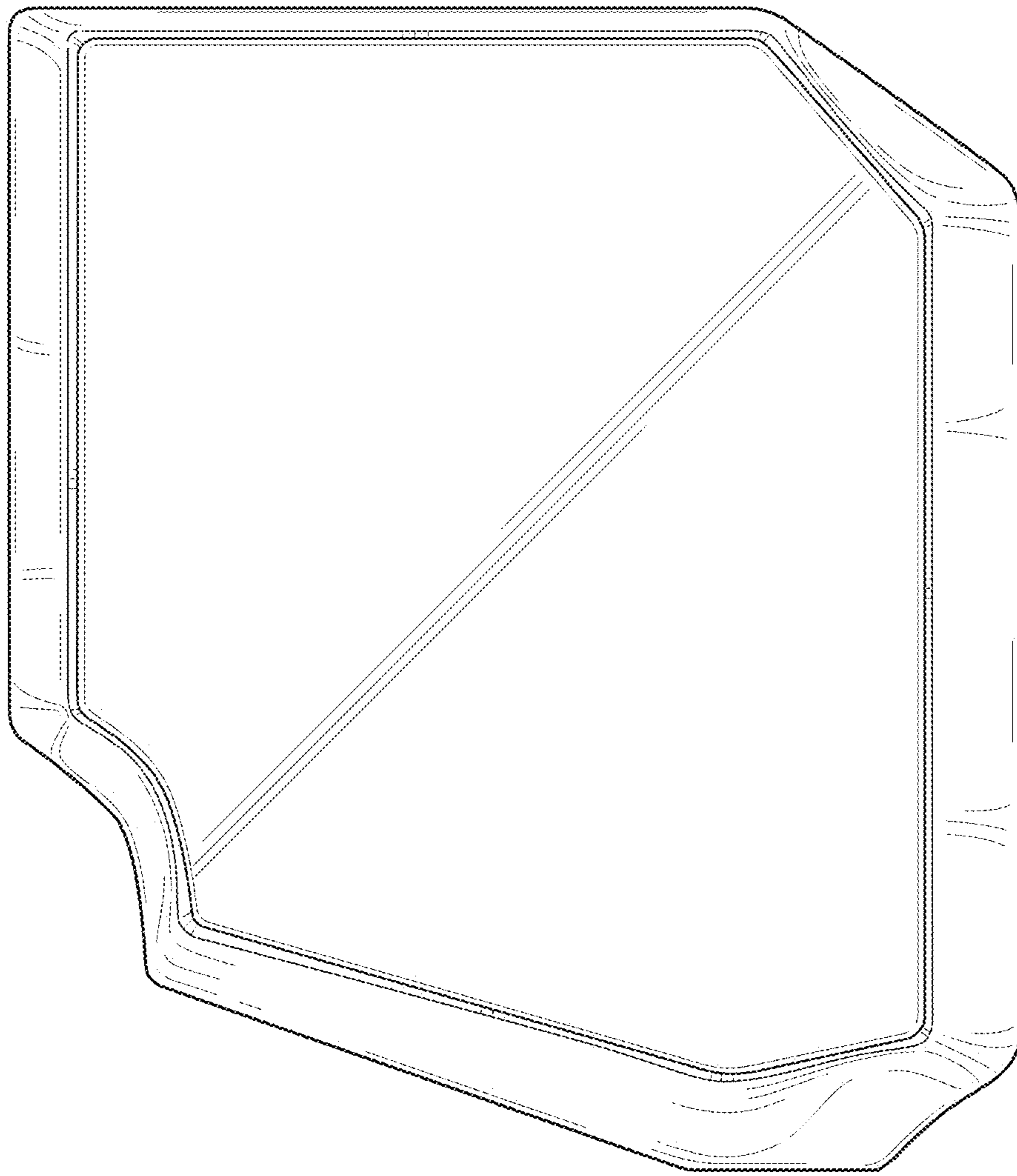


FIG. 7

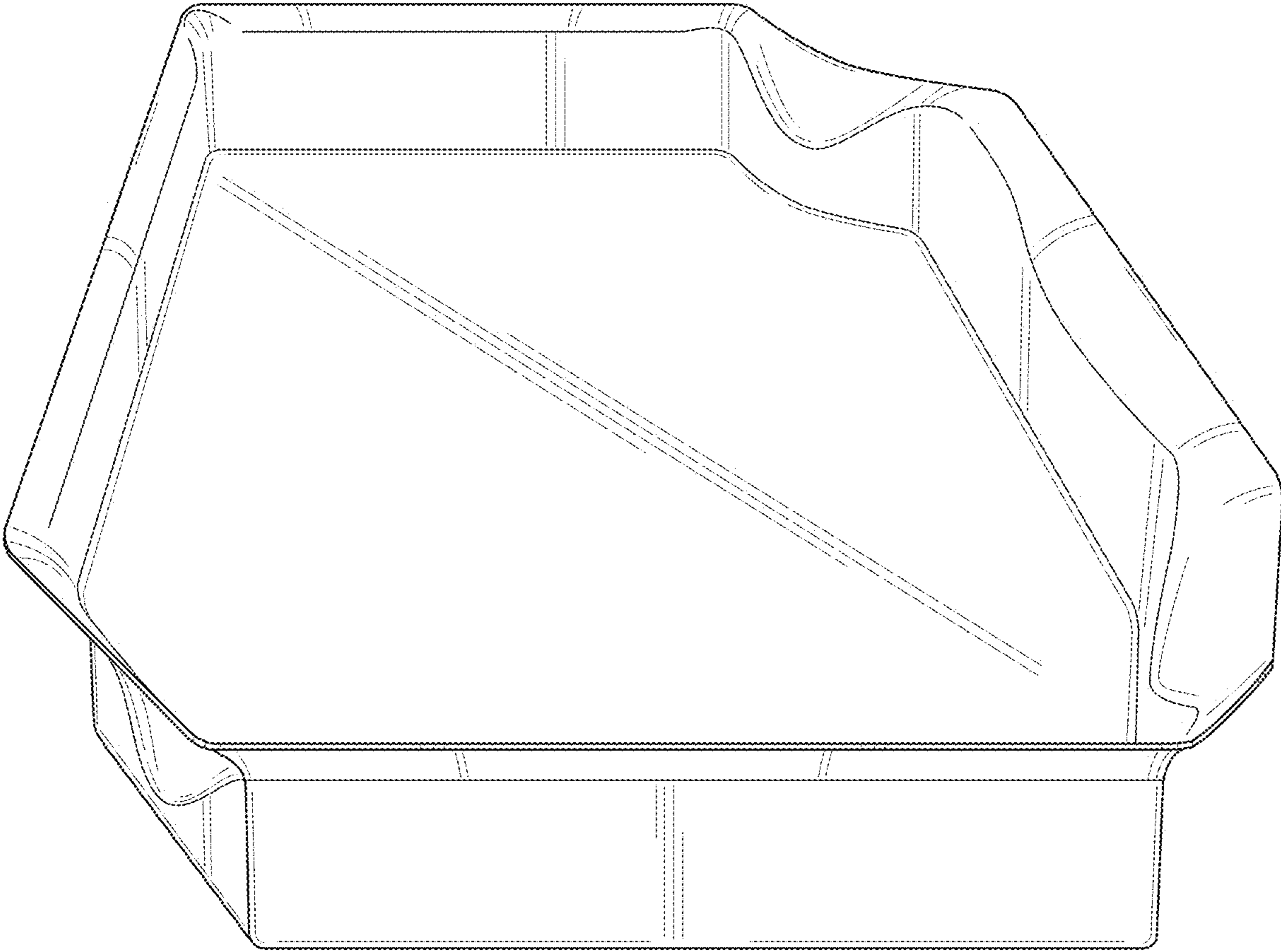


FIG. 8

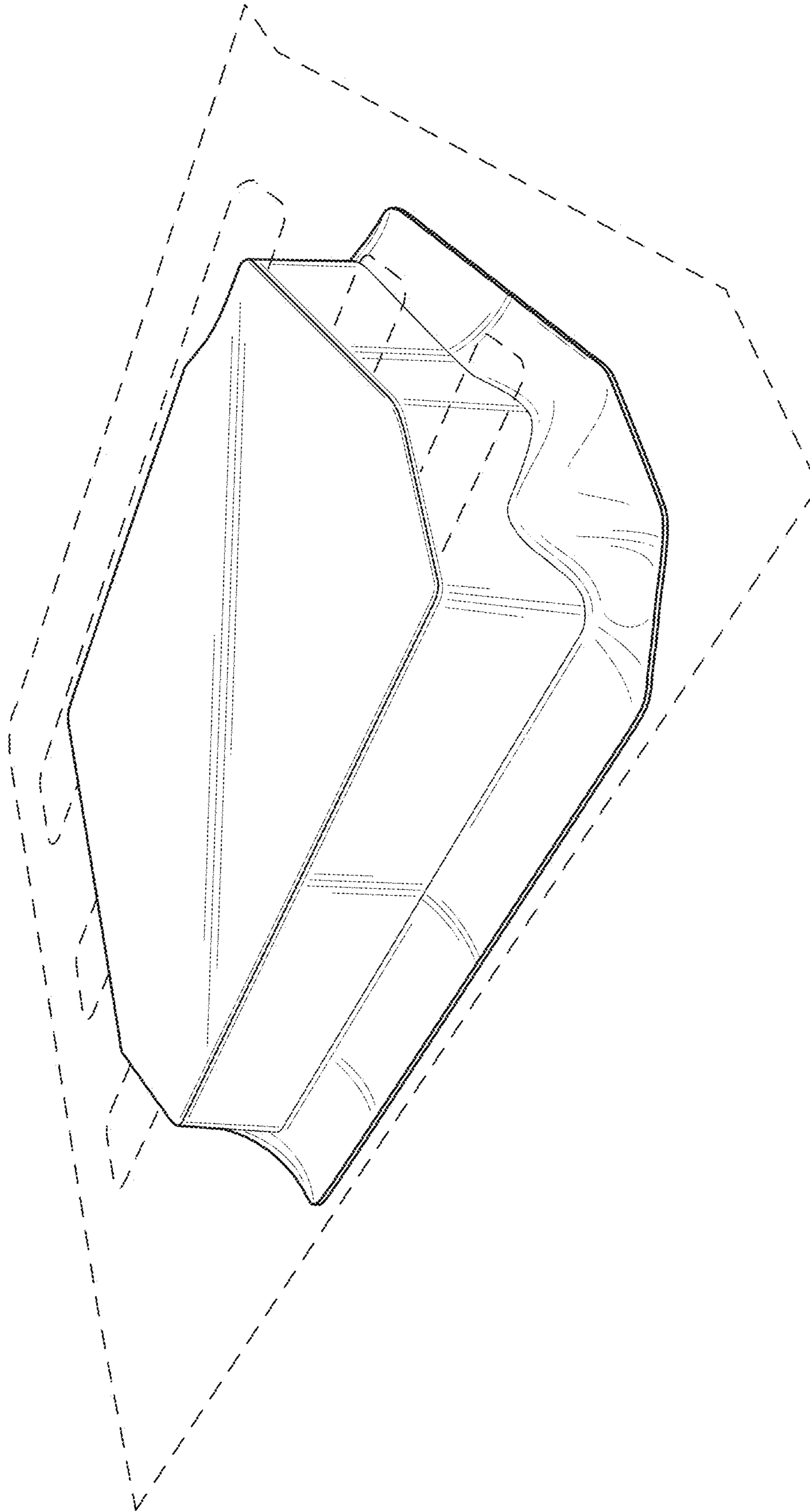


FIG. 9

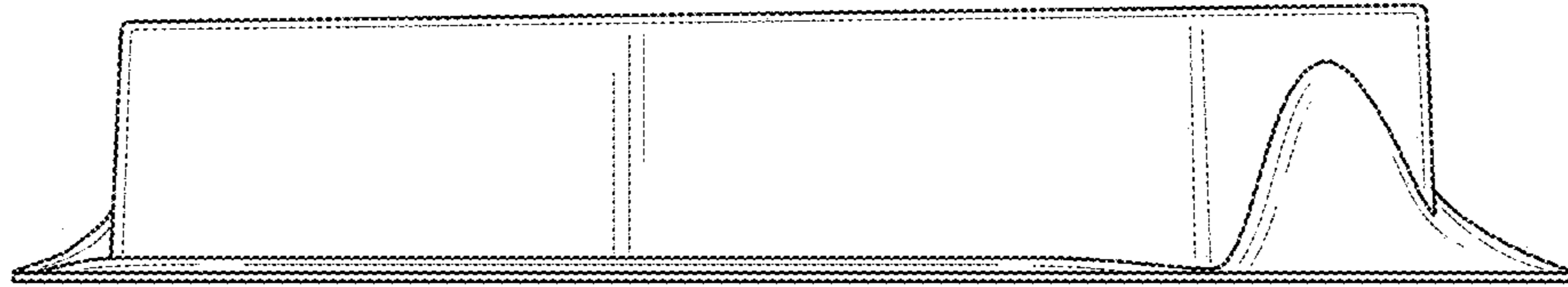


FIG. 10

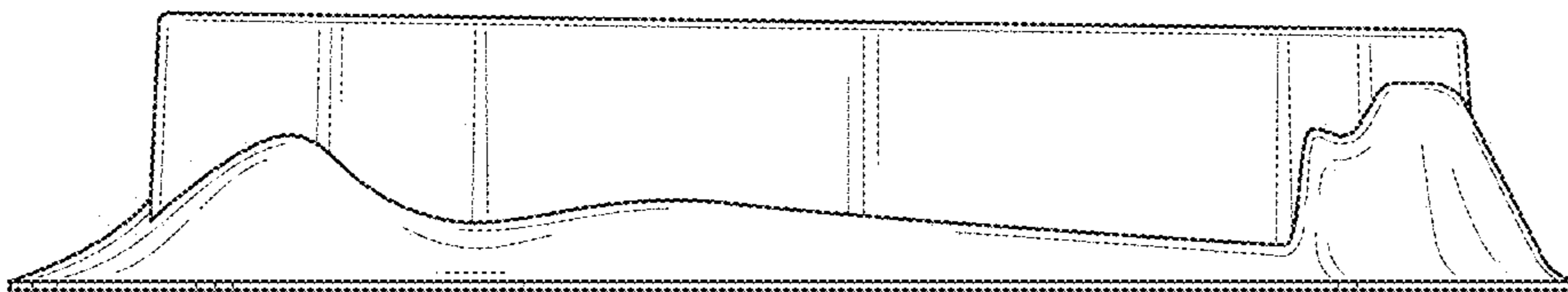


FIG. 11

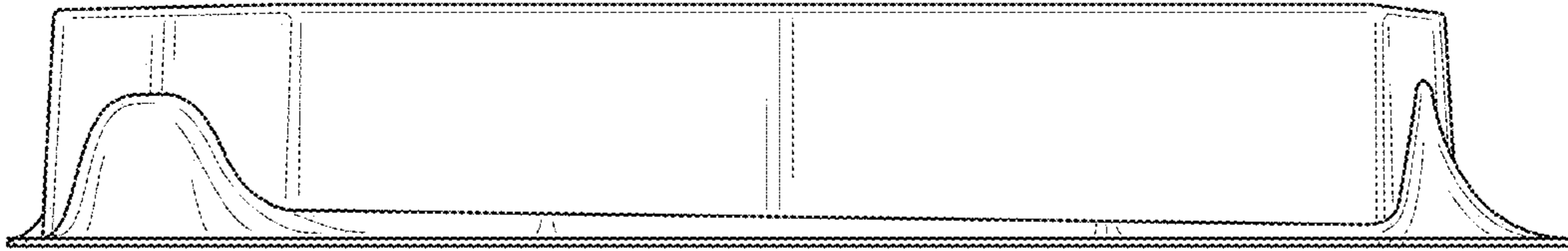


FIG. 12

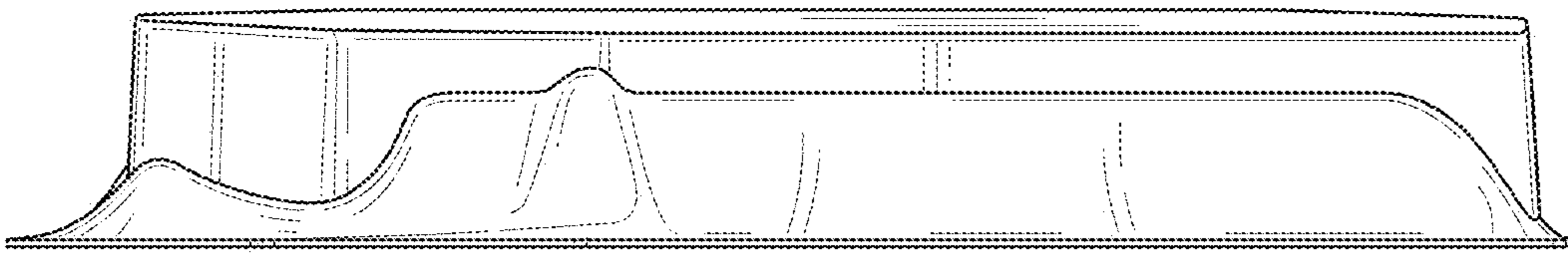


FIG. 13

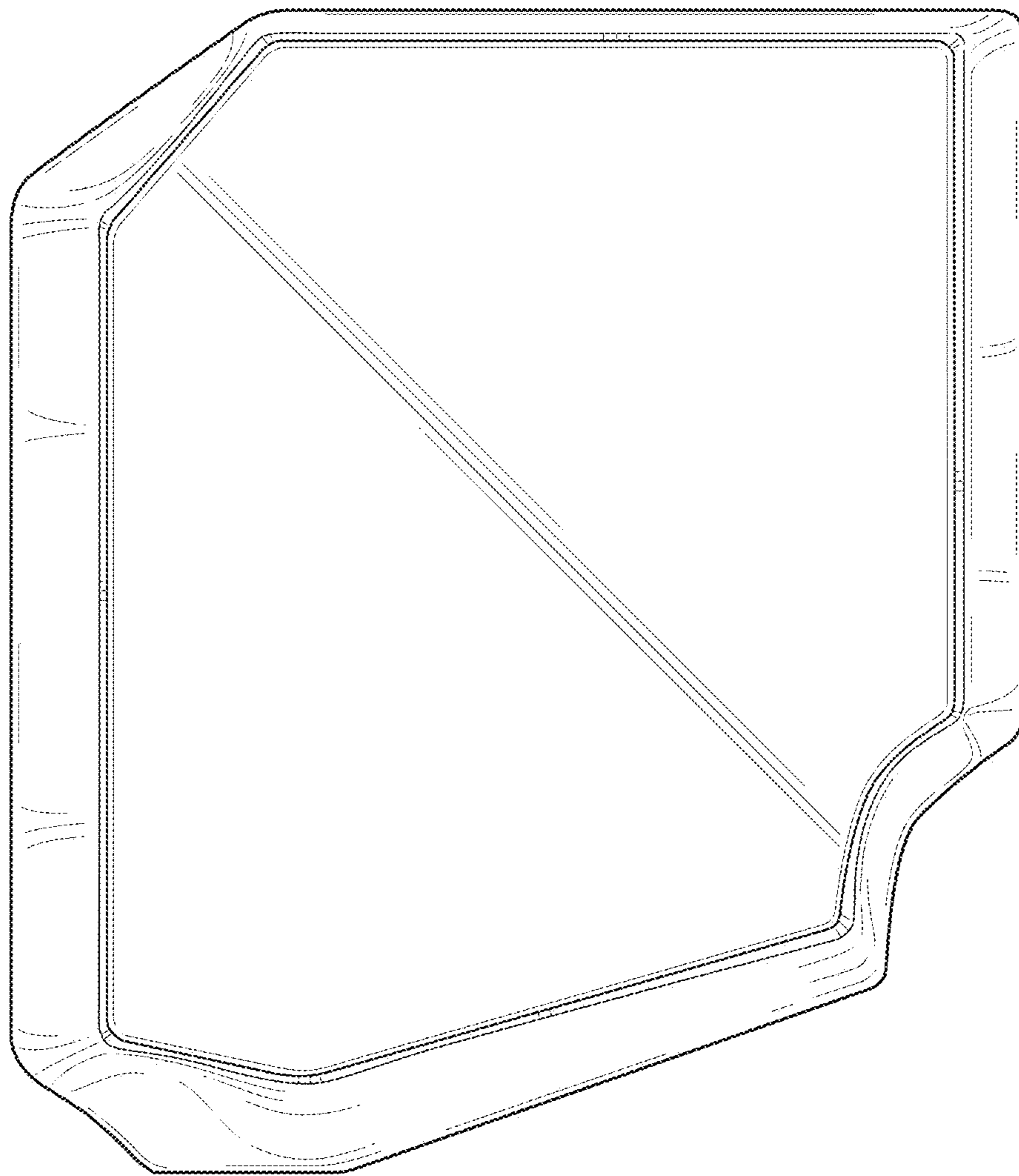


FIG. 14

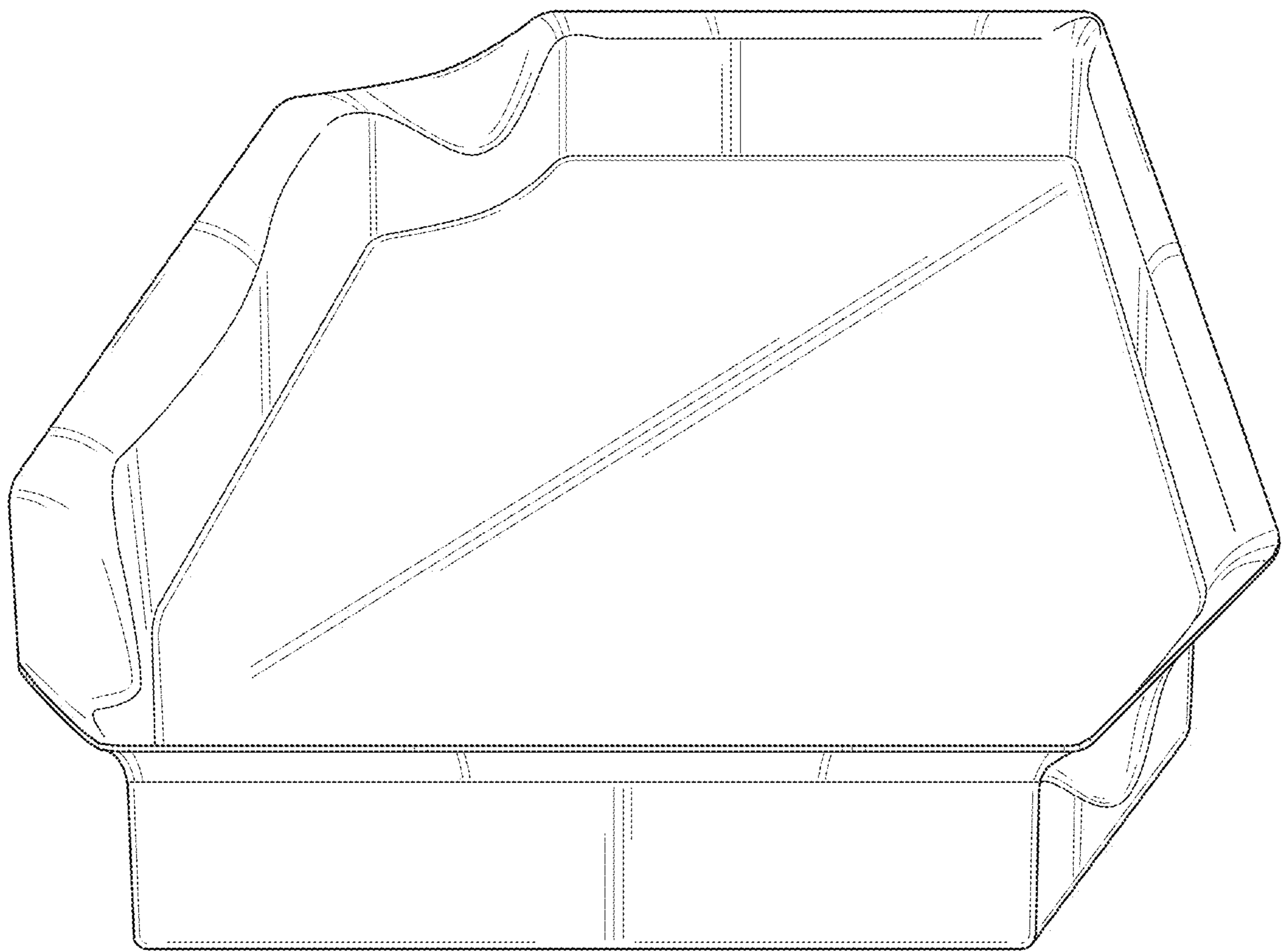


FIG. 15

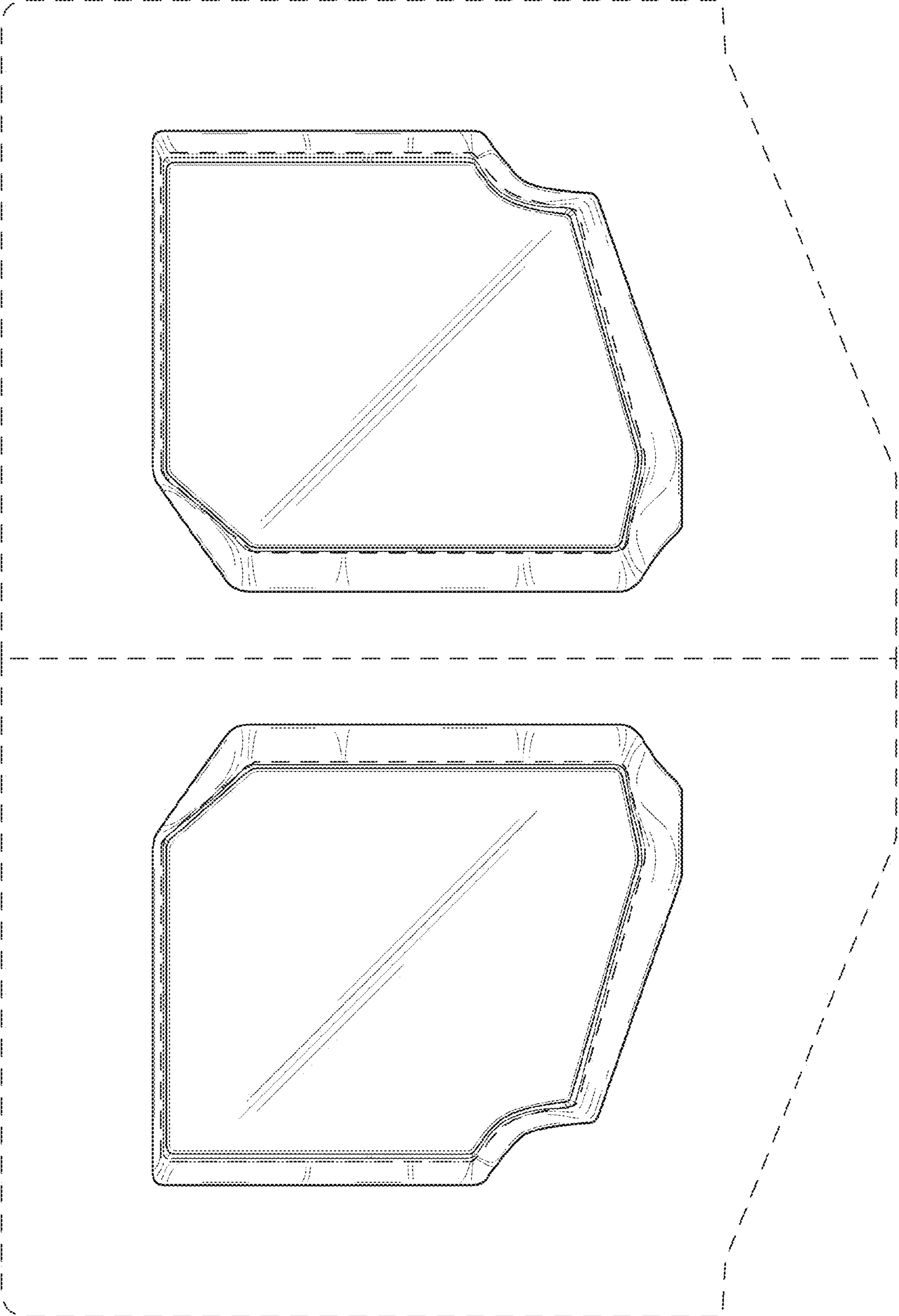


FIG. 16