



US00D975582S

(12) **United States Design Patent**
Zhou

(10) **Patent No.:** **US D975,582 S**
(45) **Date of Patent:** **** Jan. 17, 2023**

(54) **HYDROPONIC PLANTER**

(71) Applicant: **Min Zhou**, Hubei (CN)

(72) Inventor: **Min Zhou**, Hubei (CN)

(**) Term: **15 Years**

(21) Appl. No.: **29/779,741**

(22) Filed: **Apr. 21, 2021**

(51) **LOC (14) Cl.** **11-02**

(52) **U.S. Cl.**

USPC **D11/144**

(58) **Field of Classification Search**

USPC D11/143–156, 164; D6/403–405,
D6/556–558; D26/9, 10

CPC . A01G 9/02; A01G 9/021; A01G 9/04; A01G
27/003; A01G 31/02; A01G 31/06

See application file for complete search history.

(56) **References Cited**

U.S. PATENT DOCUMENTS

- D586,688 S * 2/2009 Bromley D11/144
- D604,197 S * 11/2009 Bissonnette D11/144
- 8,261,486 B2 * 9/2012 Bissonnette A01G 27/003
47/79
- D713,284 S * 9/2014 Prinster A01G 31/02
D11/143
- D729,115 S * 5/2015 Prinster D11/144
- D760,118 S * 6/2016 Lepp D11/142
- D792,808 S * 7/2017 Verneuil D11/144
- D801,212 S * 10/2017 Livingston D11/152
- D846,802 S * 4/2019 Nicoline D28/9
- D852,090 S * 6/2019 Bowerman D11/155
- D864,016 S * 10/2019 Woltz D11/143

- D888,602 S * 6/2020 Kadosh D11/144
- D888,603 S * 6/2020 Tong D11/144
- 10,757,875 B2 * 9/2020 Loiske A01G 7/045
- D924,724 S * 7/2021 Li D11/155
- D932,346 S * 10/2021 Song D11/156
- D951,131 S * 5/2022 Qu D11/144
- D952,512 S * 5/2022 Farmer D11/145
- D952,513 S * 5/2022 Farmer D11/145
- D958,692 S * 7/2022 Lin D11/144
- 2006/0272210 A1 * 12/2006 Bissonnette A01G 31/02
47/69
- 2008/0276534 A1 * 11/2008 Bissonnette A01G 27/003
47/62 R
- 2008/0282610 A1 * 11/2008 Bissonnette A01G 31/02
47/79
- 2019/0200541 A1 * 7/2019 Park A01G 9/042
- 2020/0344965 A1 * 11/2020 Song G06T 7/0004
- 2021/0068358 A1 * 3/2021 Im A01G 31/06

* cited by examiner

Primary Examiner — Mark A Goodwin

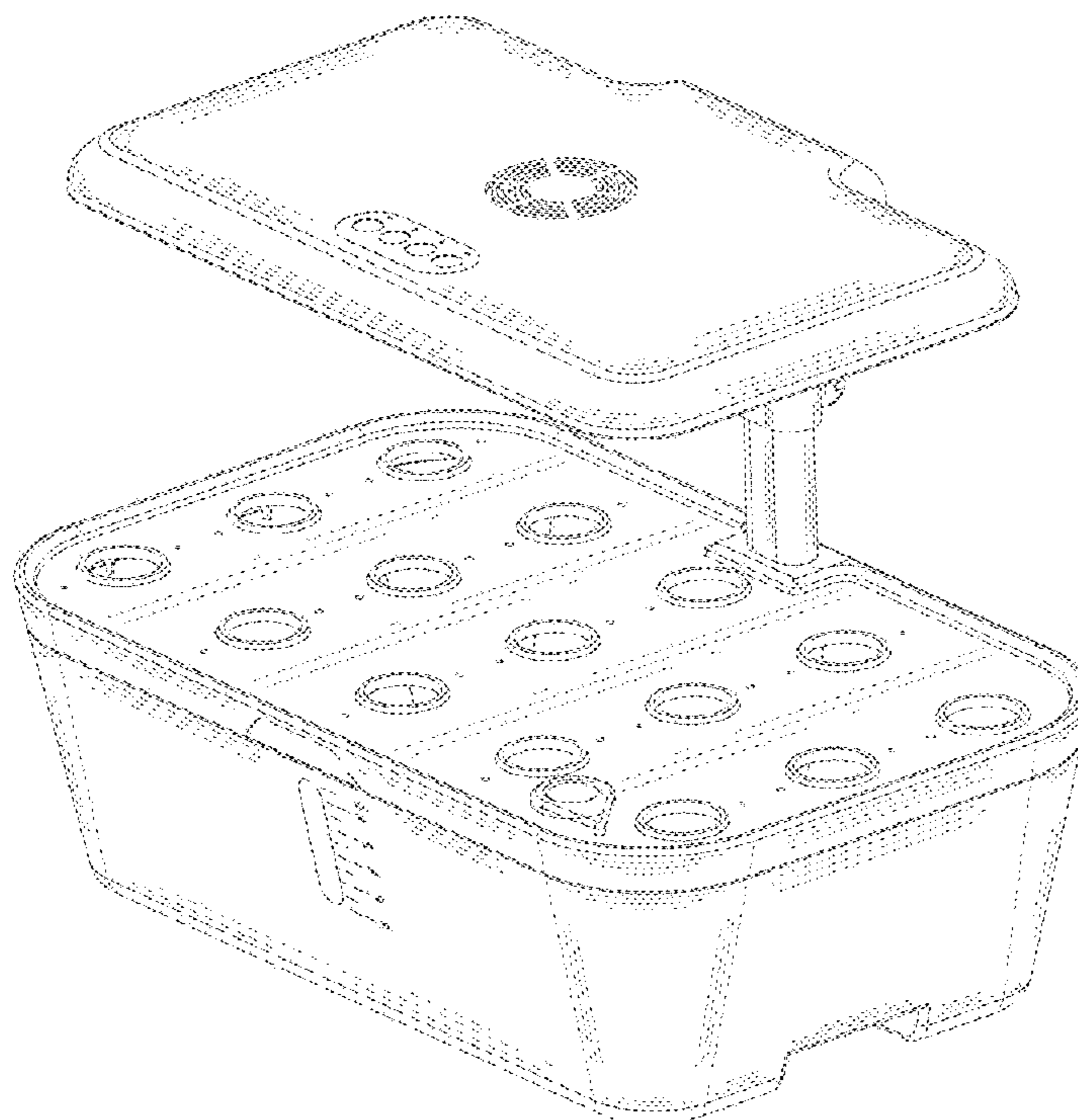
(57) **CLAIM**

The ornamental design for a hydroponic planter, as shown and described.

DESCRIPTION

FIG. 1 is a perspective view of a hydroponic planter showing my new design;
 FIG. 2 is a front elevation view thereof;
 FIG. 3 is a rear elevation view thereof;
 FIG. 4 is a left side elevation view thereof;
 FIG. 5 is a right side elevation view thereof;
 FIG. 6 is a top plan view thereof; and,
 FIG. 7 is a bottom plan view thereof.

1 Claim, 7 Drawing Sheets



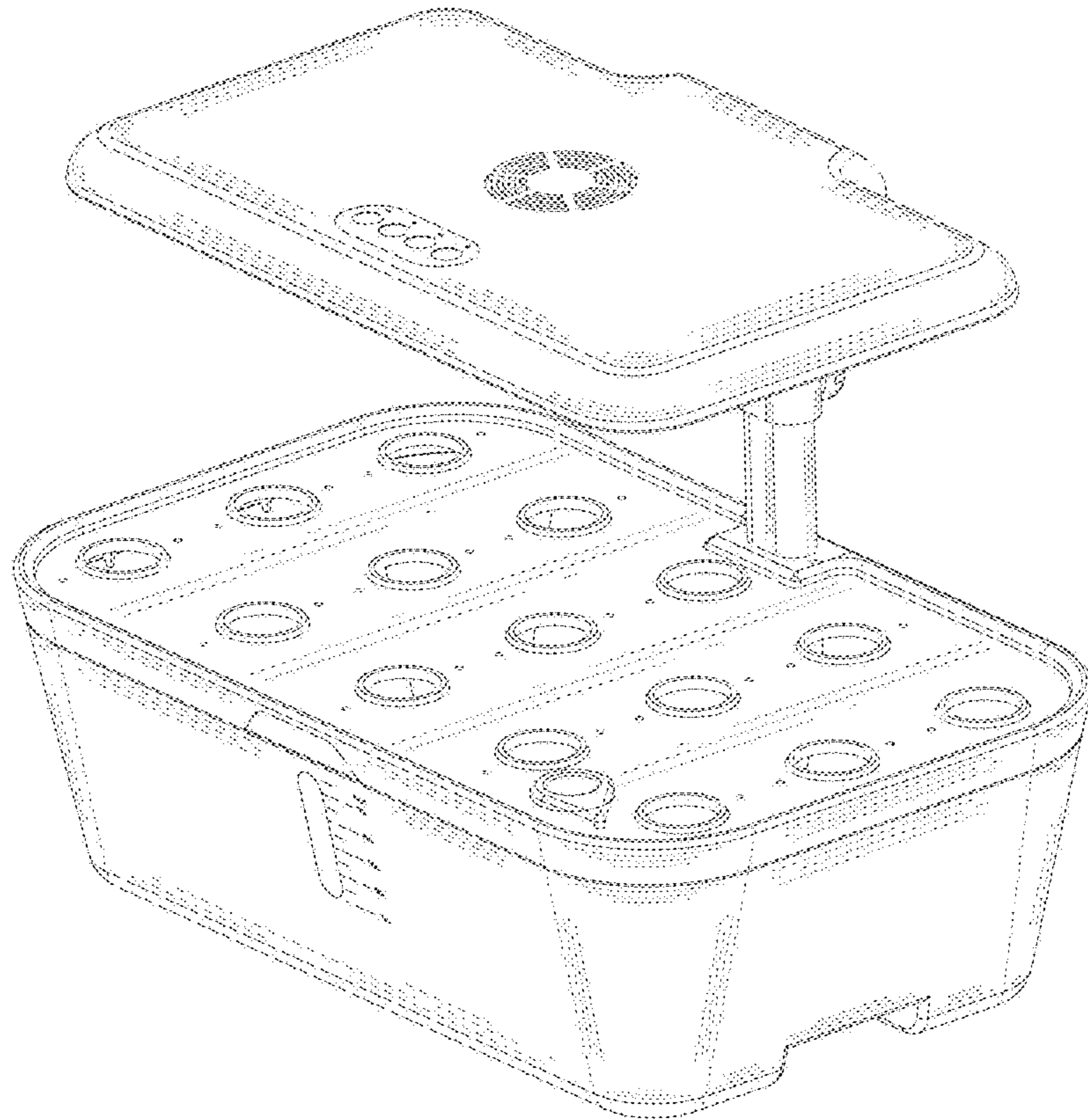


FIG. 1

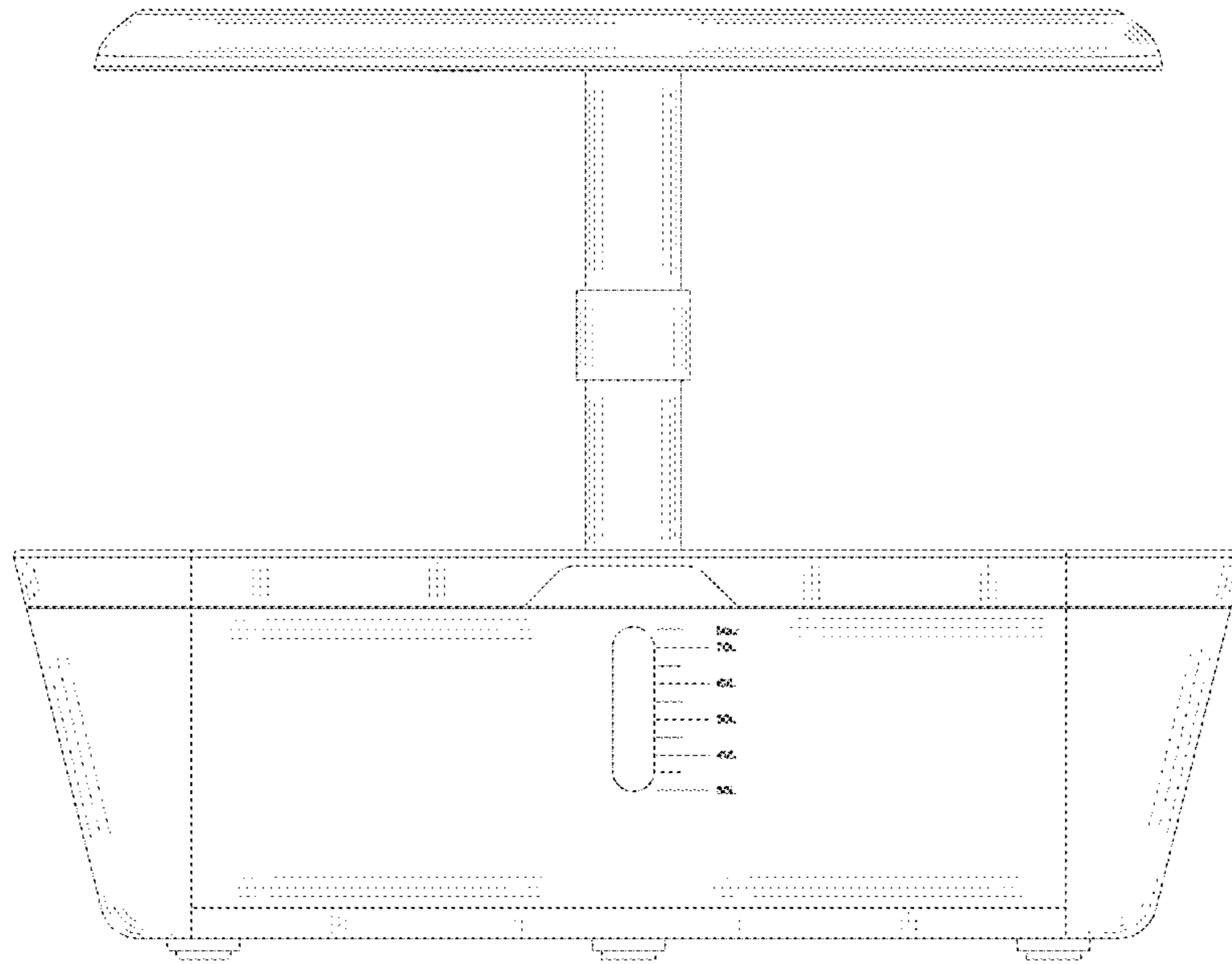


FIG. 2

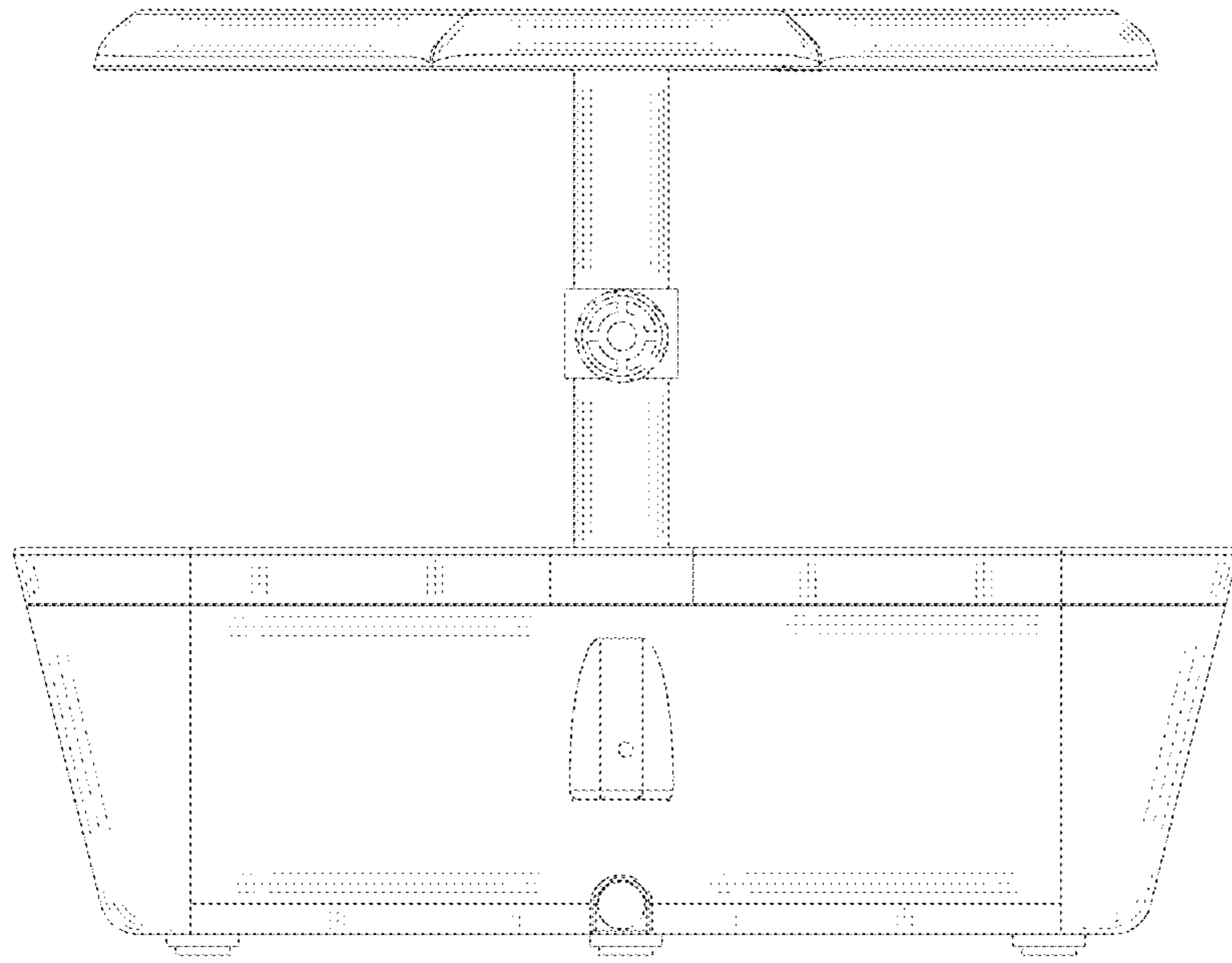


FIG. 3

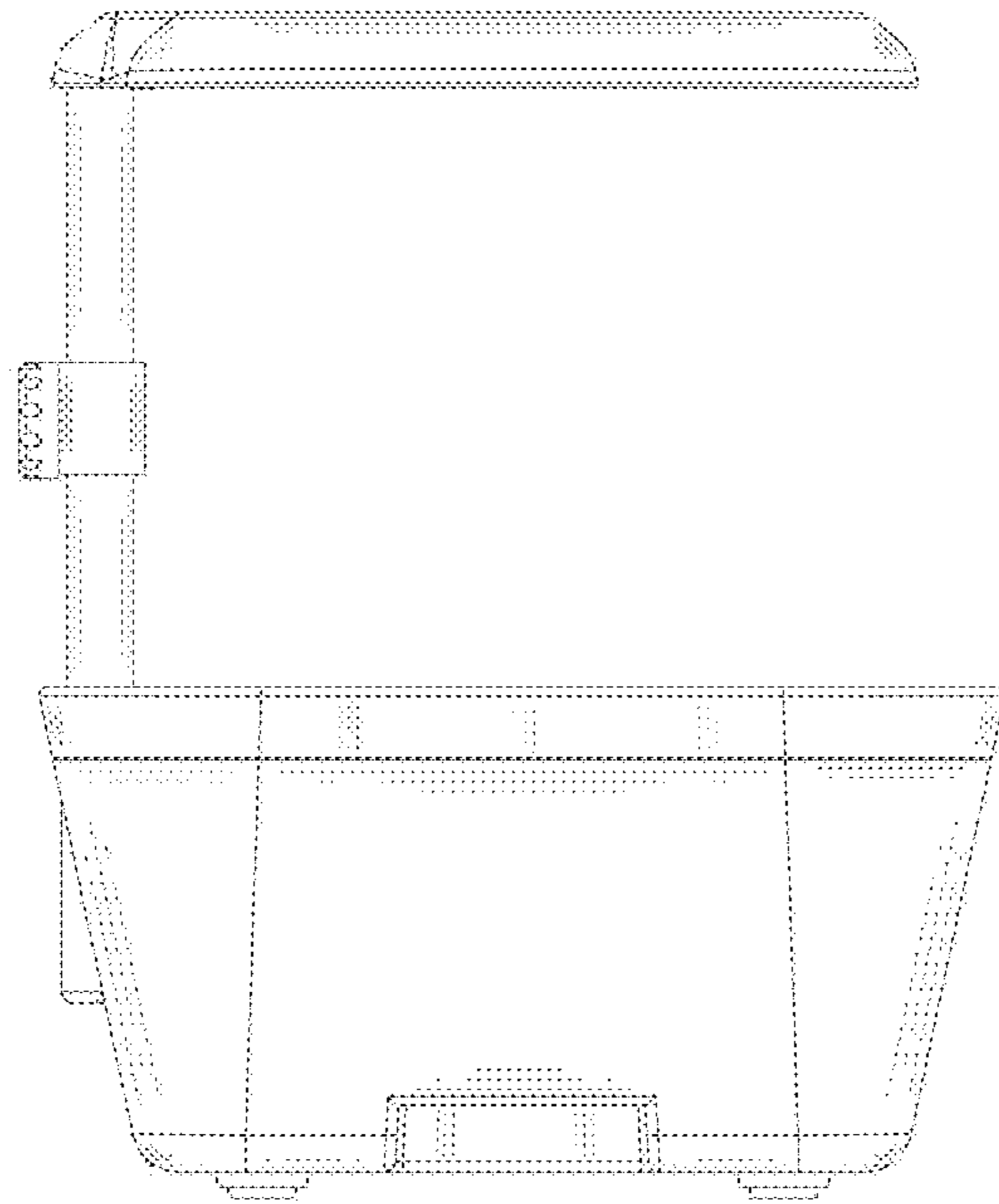


FIG. 4

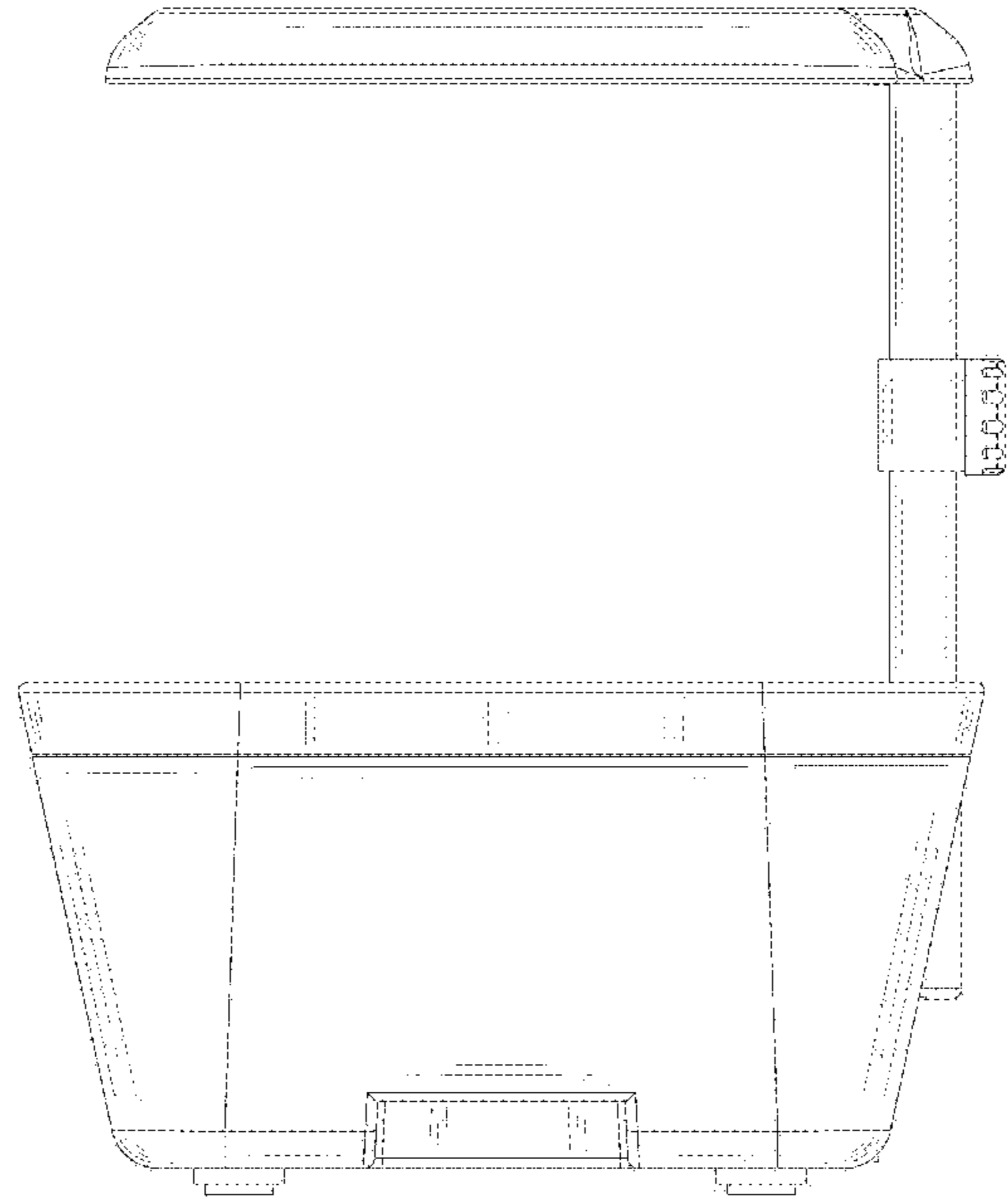


FIG. 5

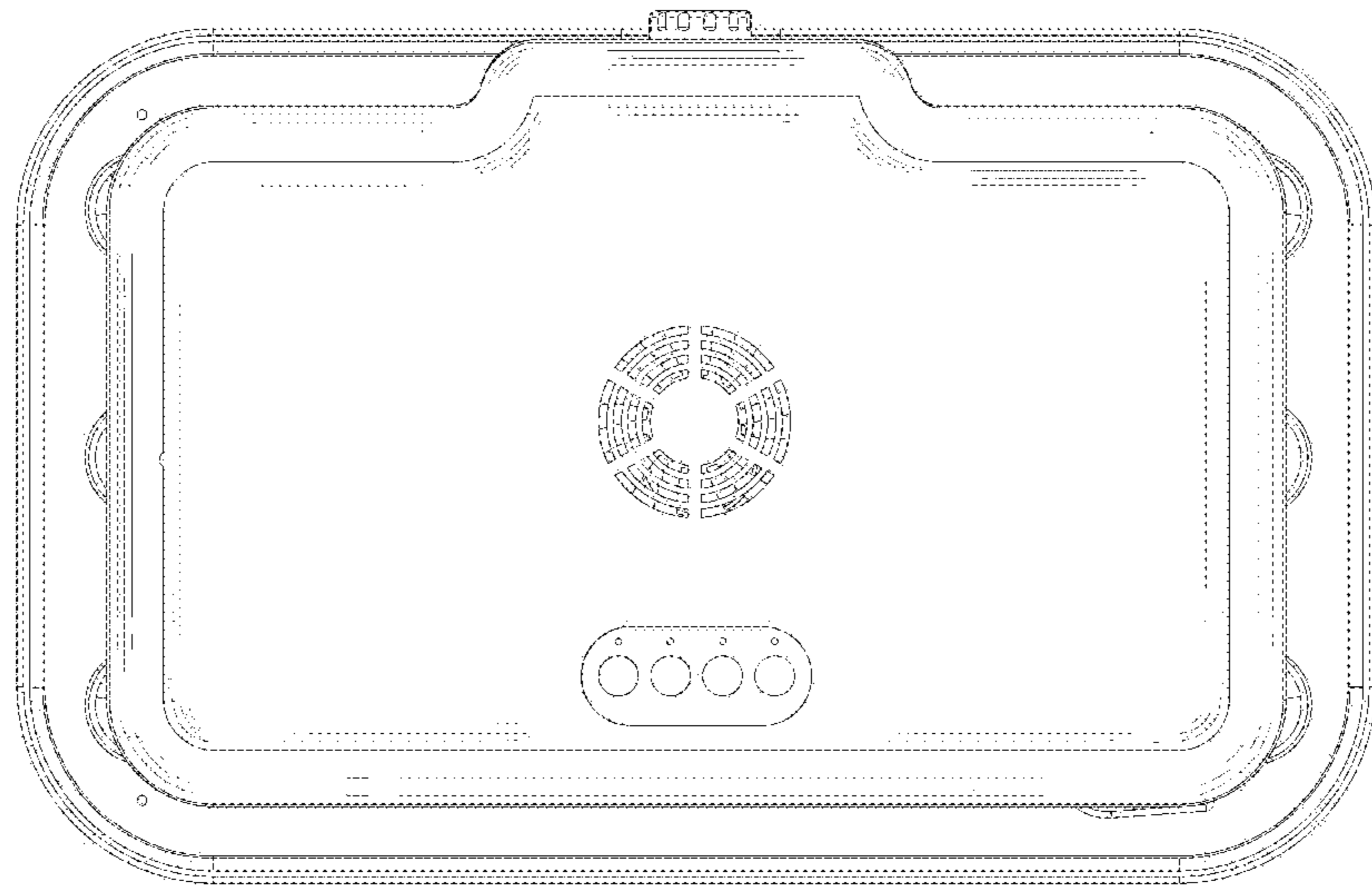


FIG. 6

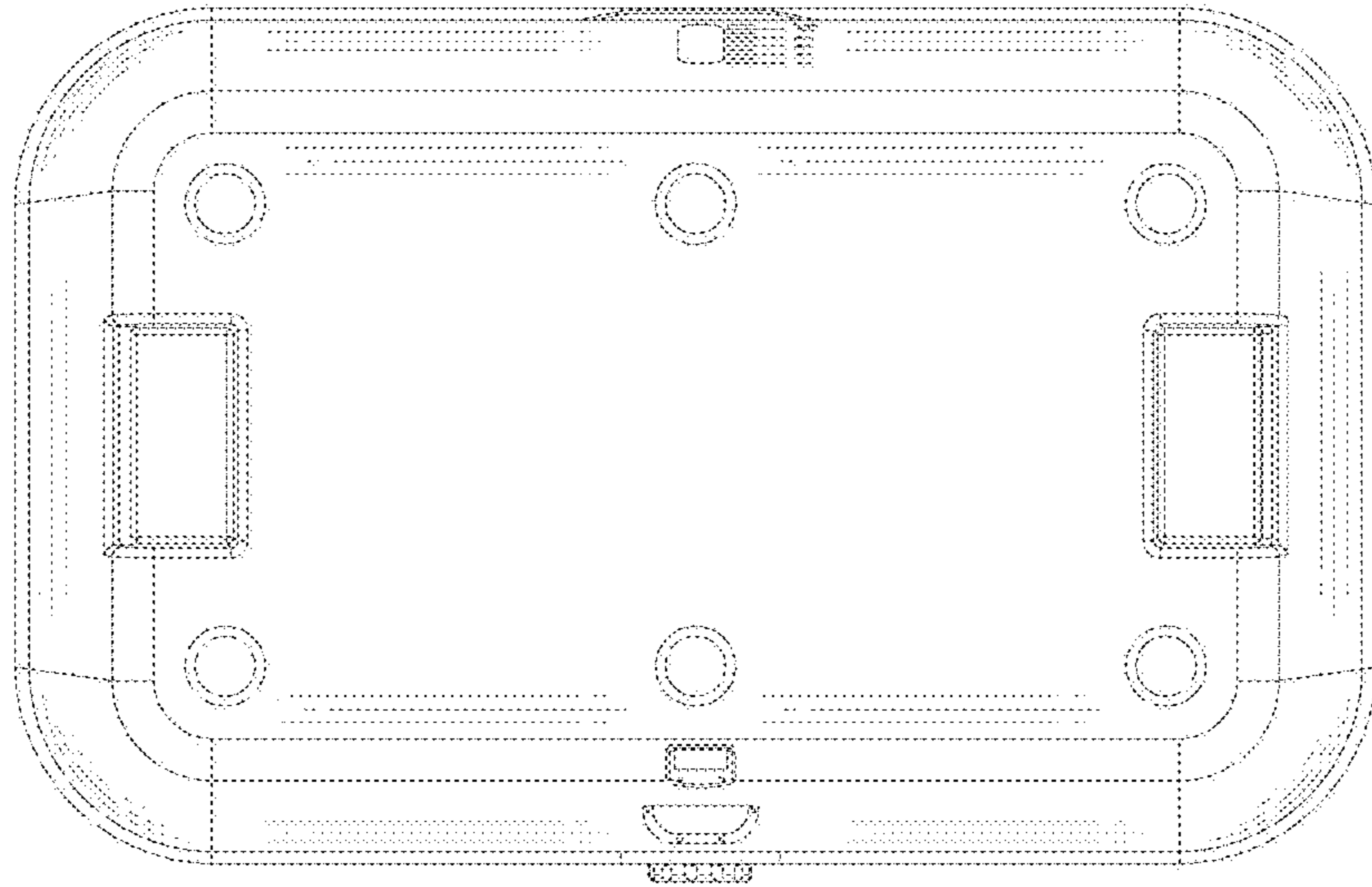


FIG. 7