



US00D975580S

(12) **United States Design Patent** (10) **Patent No.:** **US D975,580 S**
Zhang (45) **Date of Patent:** **** Jan. 17, 2023**

- (54) **RING HOLDER NECKLACE**
- (71) Applicant: **Guangzhou Genuoya Jewelry Co., Ltd.**, Guangzhou (CN)
- (72) Inventor: **Zhengfa Zhang**, Guangzhou (CN)
- (73) Assignee: **Guangzhou Genuoya Jewelry Co., Ltd.**, Guangzhou (CN)
- (**) Term: **15 Years**
- (21) Appl. No.: **29/851,395**
- (22) Filed: **Aug. 29, 2022**
- (51) **LOC (14) Cl.** **11-01**
- (52) **U.S. Cl.**
USPC **D11/79**
- (58) **Field of Classification Search**
USPC D11/1, 2, 3, 4, 7, 8, 40-48, 61, 79-86, D11/101, 102, 221, 223; D3/207-211, D3/318
CPC A44C 1/00; A44C 5/00; A44C 5/0084; A44C 5/02; A44C 5/022; A44C 5/025; A44C 5/027; A44C 7/00; A44C 7/002; A44C 7/003; A44C 7/004; A44C 7/005; A44C 7/006; A44C 7/007; A44C 7/008; A44C 7/009; A44C 25/00; A44C 25/001; A44C 25/002; A44C 25/007
See application file for complete search history.

D342,384 S *	12/1993	MacDonald	D3/207
5,305,934 A *	4/1994	Grey	G02C 13/001
				24/3.13
D470,307 S *	2/2003	McCormack	D3/219
6,539,587 B2 *	4/2003	Harrison	G02C 11/02
				24/3.1
D478,836 S *	8/2003	McCormack	D11/103
D577,907 S *	10/2008	Hu	D3/211
D658,531 S *	5/2012	Nazarenko	D11/79
D712,780 S *	9/2014	Tull	D11/79
D792,794 S *	7/2017	Gothe	D11/1
D839,765 S *	2/2019	Tracy	D11/79
D849,586 S *	5/2019	Li	D11/79
D903,523 S	12/2020	Li et al.		
2021/0022459 A1 *	1/2021	Berka	A44C 17/0208
2021/0235825 A1 *	8/2021	Williams	A44C 1/00

OTHER PUBLICATIONS

[Online] https://www.alibaba.com/product-detail/Slovehoony-Ring-Holder-Necklaces-925-Sterling_1600551746413.html?spm=a2700.shop_plser.41413.18.5c7a126dEHDPwt. Retrieved Nov. 5, 2022.*

* cited by examiner

Primary Examiner — Melanie Pellegrini
(74) *Attorney, Agent, or Firm* — Nitin Kaushik

(57) **CLAIM**

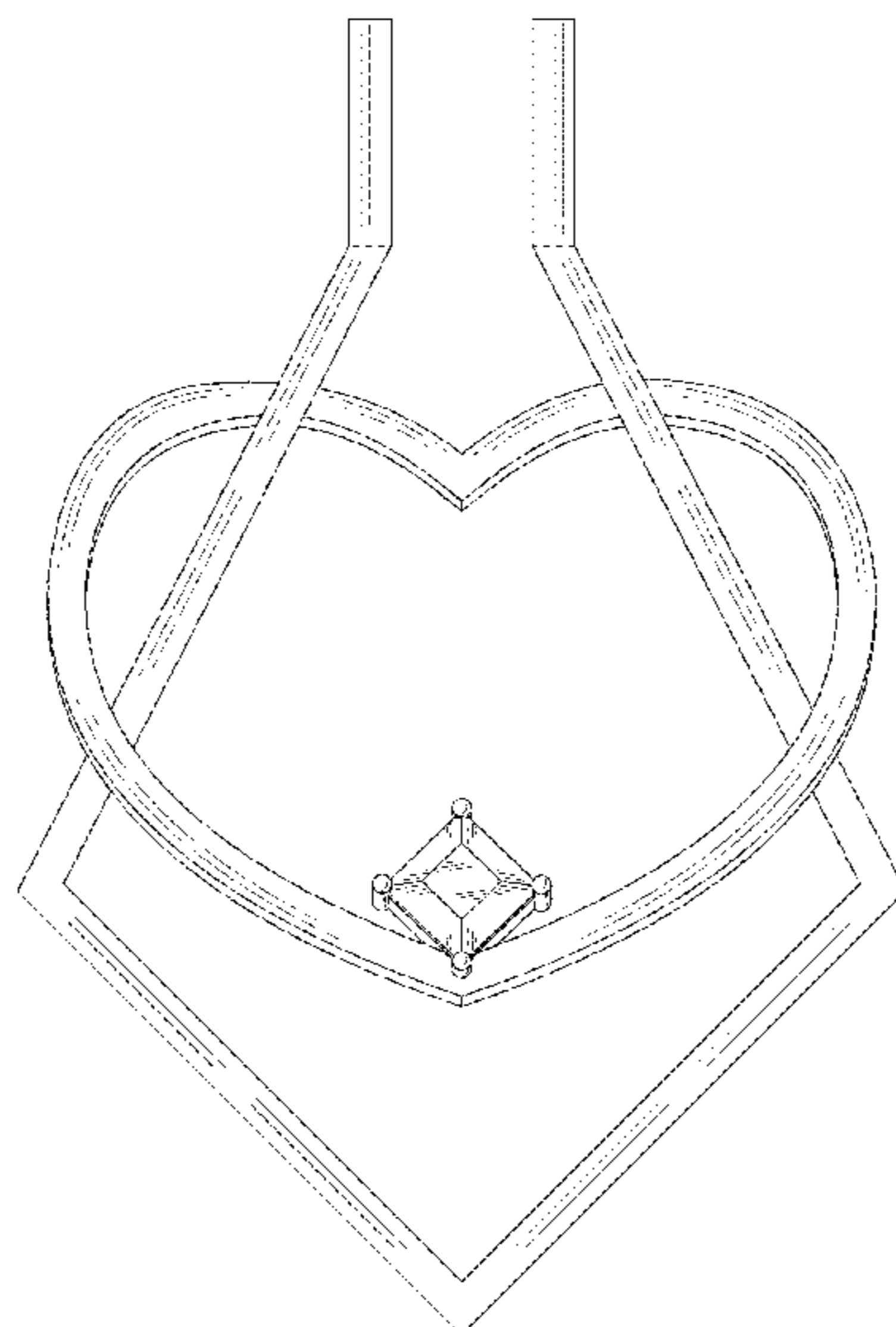
The ornamental design for a ring holder necklace, as shown and described.

DESCRIPTION

FIG. 1 is a front view of a ring holder necklace, showing my new design;
FIG. 2 is a rear view thereof;
FIG. 3 is a left side view thereof;
FIG. 4 is a right side view thereof;
FIG. 5 is a top view thereof;
FIG. 6 is a bottom view thereof;
FIG. 7 is a front perspective view thereof; and,
FIG. 8 is a rear perspective view thereof.

1 Claim, 8 Drawing Sheets

- (56) **References Cited**
U.S. PATENT DOCUMENTS
- D45,394 S * 3/1914 Mix D11/79
- D100,841 S * 8/1936 Barrett D11/79
- D151,355 S * 10/1948 Katz D11/7
- D252,744 S * 8/1979 Barr D11/79
- D294,335 S * 2/1988 Gatsos D11/86
- D301,315 S * 5/1989 Yoshida D11/75
- D301,845 S * 6/1989 Yoshida D11/75
- D311,880 S * 11/1990 Gatsos D11/86
- D336,058 S * 6/1993 Sery D11/43



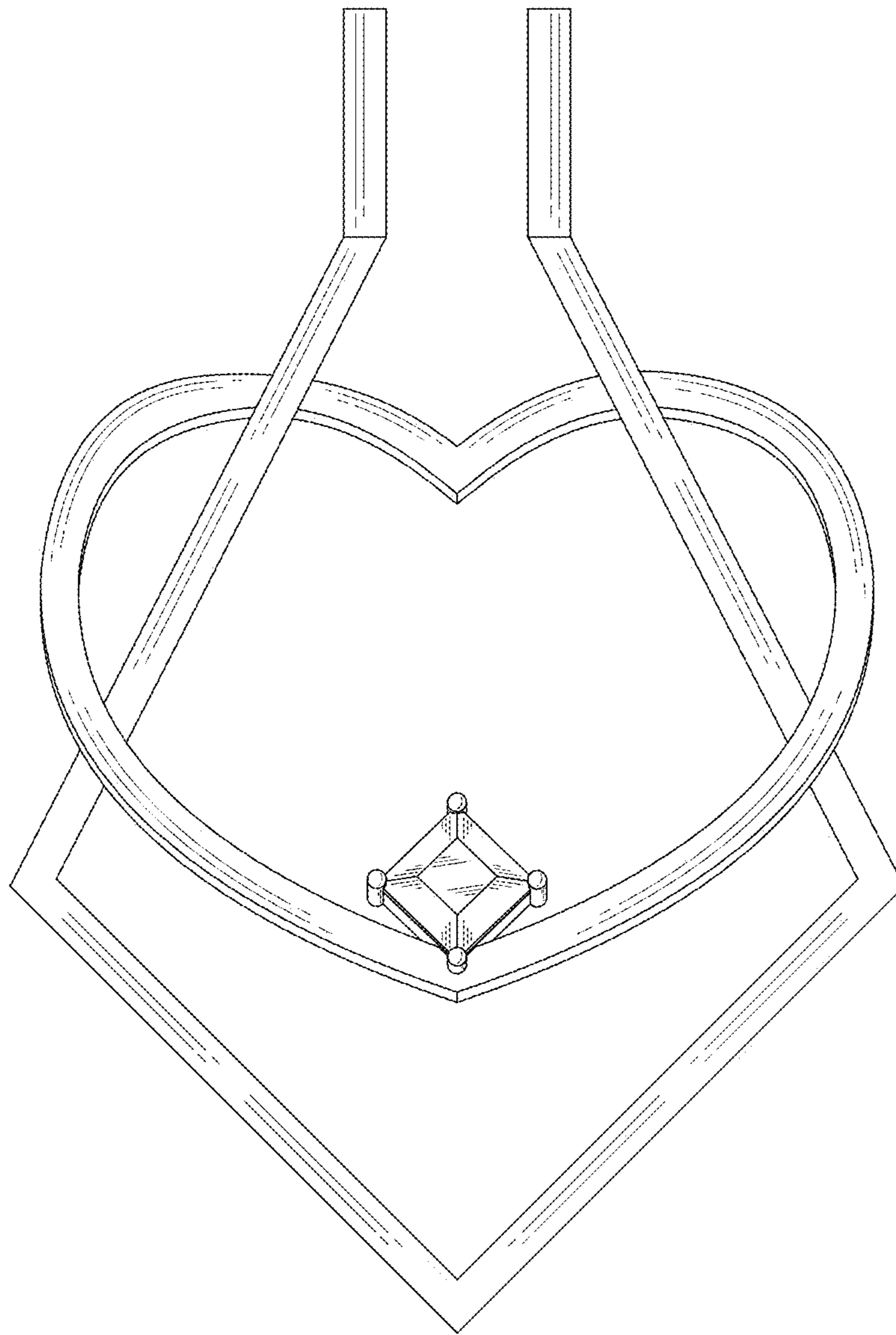


FIG. 1

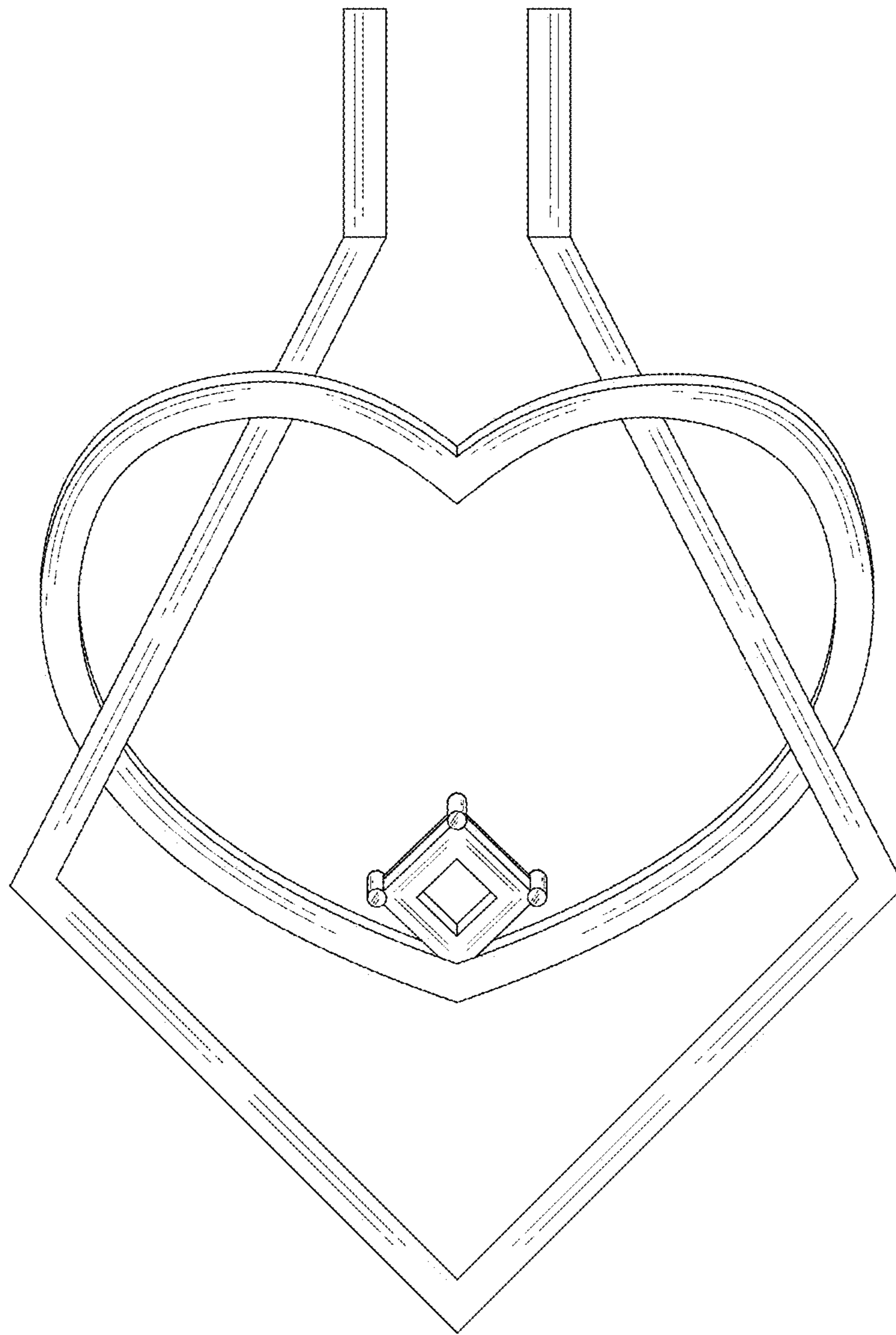


FIG. 2

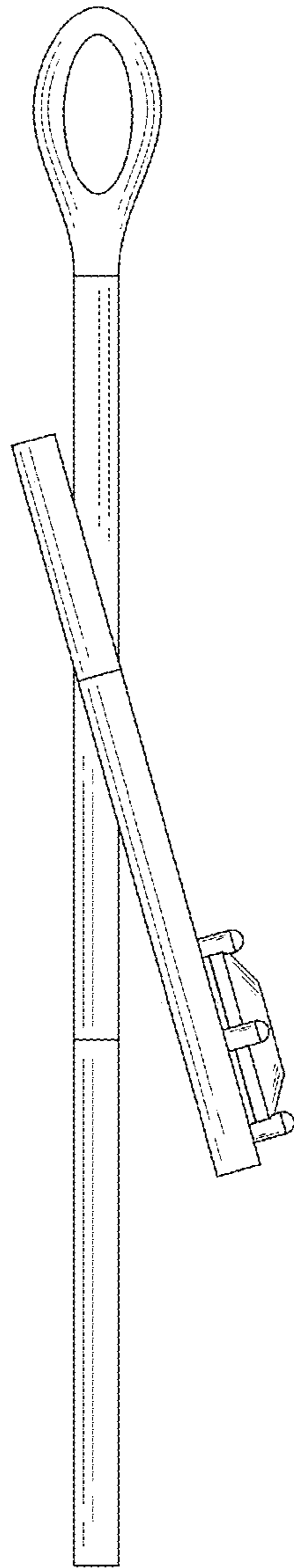


FIG. 3

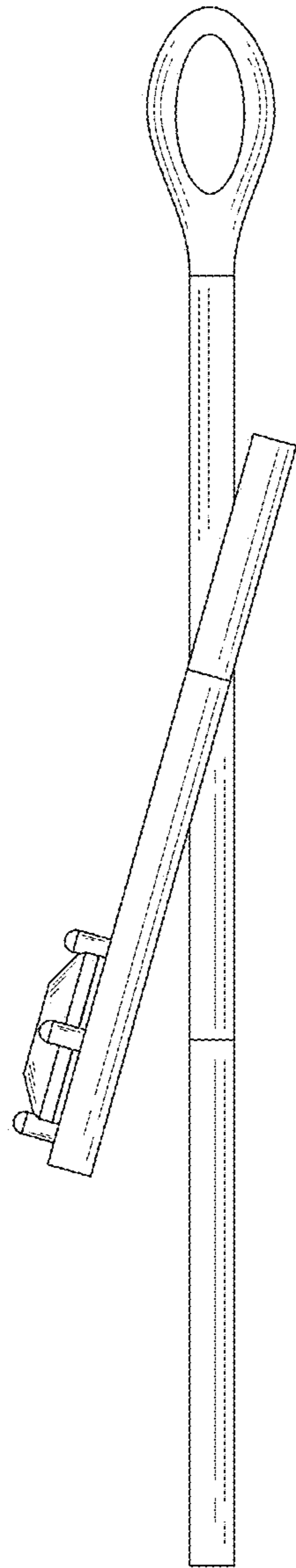


FIG. 4

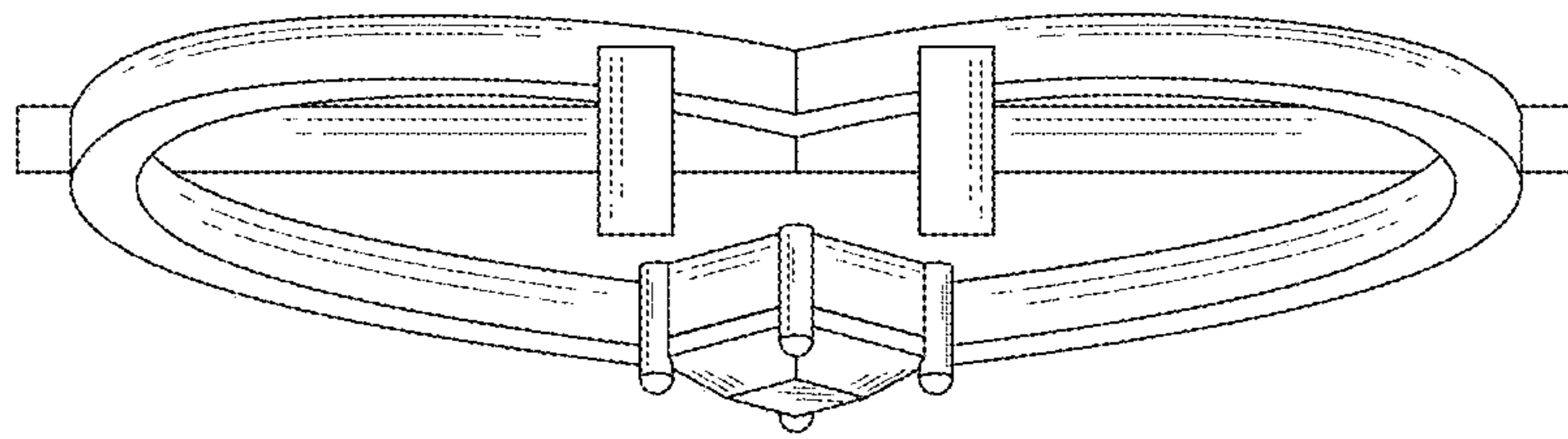


FIG. 5

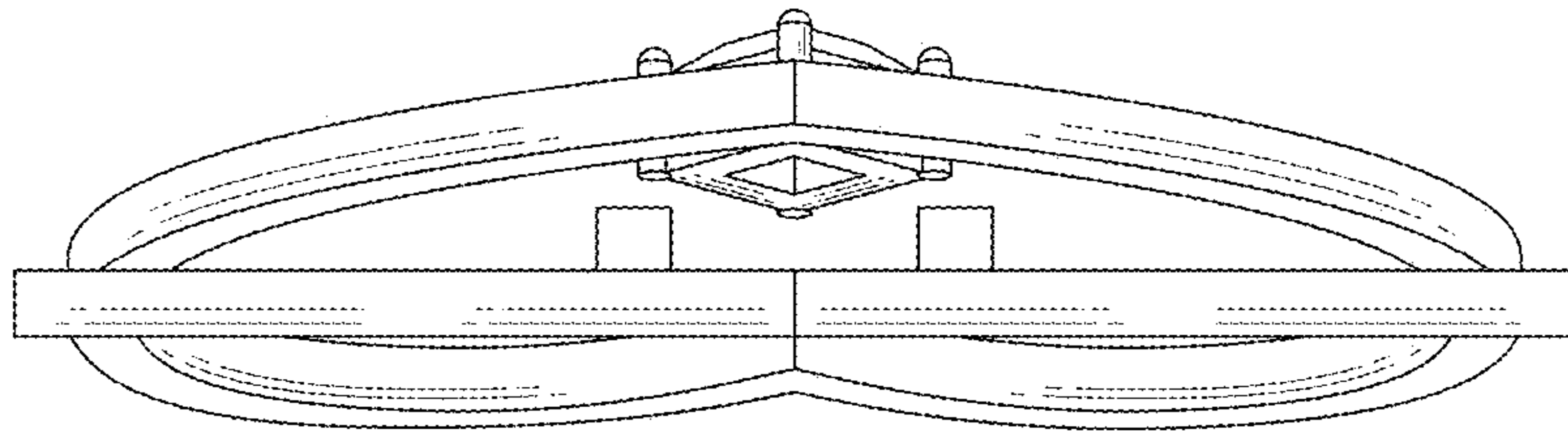


FIG. 6

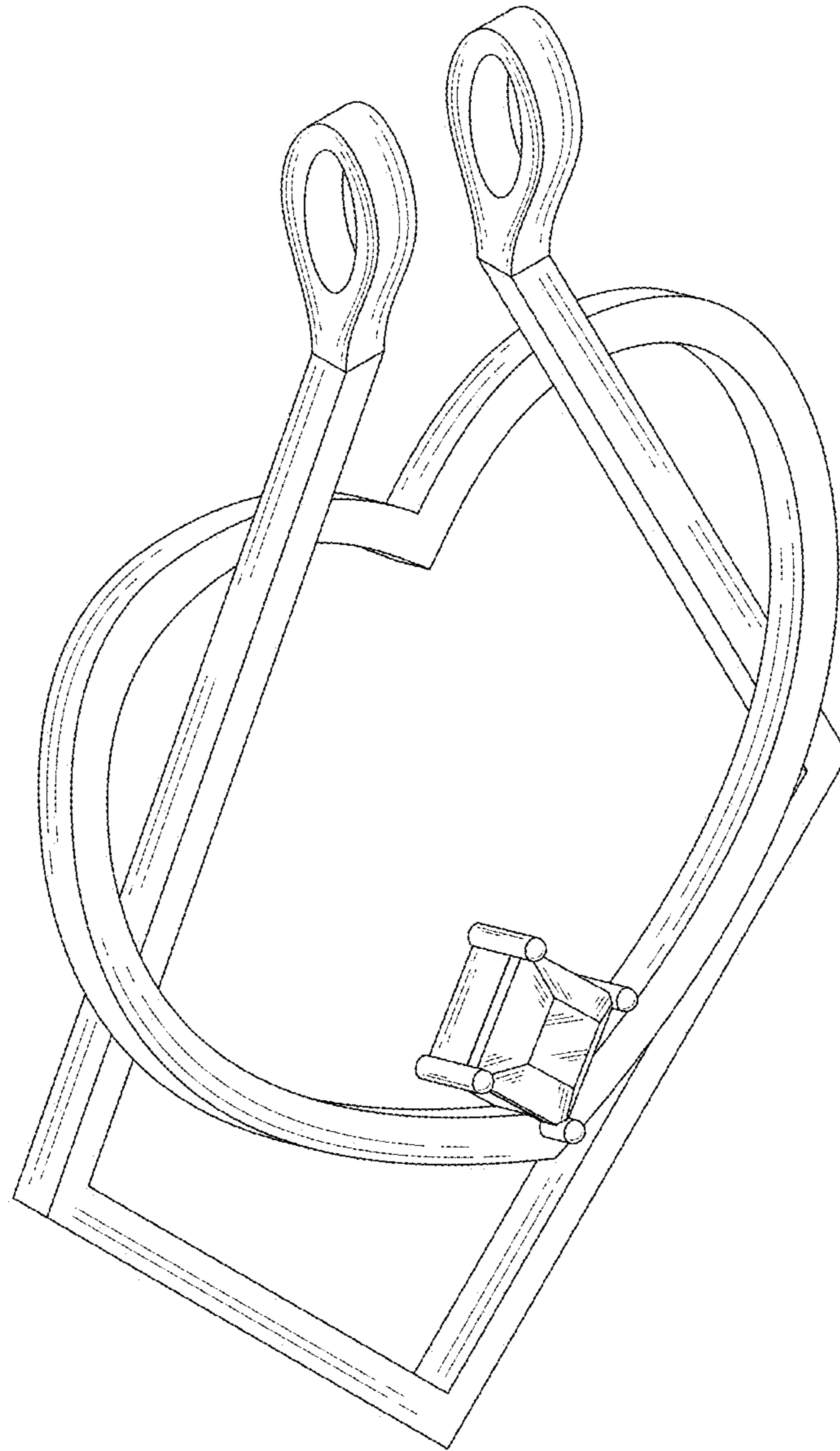


FIG. 7

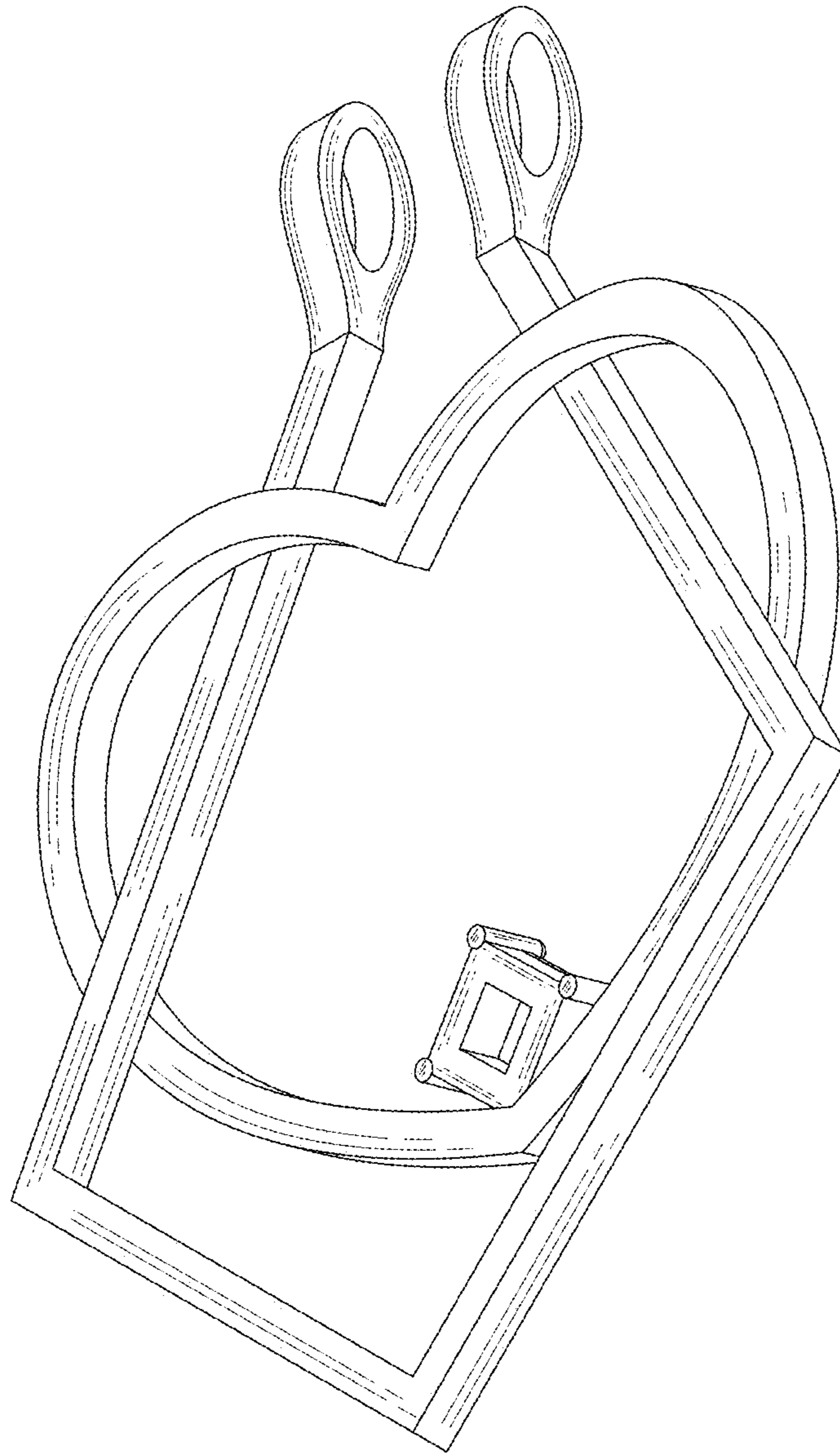


FIG. 8