



US00D975571S

(12) **United States Design Patent**
Guo et al.

(10) **Patent No.:** **US D975,571 S**
(45) **Date of Patent:** **** Jan. 17, 2023**

(54) **INTELLIGENT DOORBELL**

(71) Applicant: **Shenzhen Zhiling Technology Co., Ltd**, Guangdong (CN)

(72) Inventors: **Zhitao Guo**, Guangdong (CN); **Zhao Yang**, Guangdong (CN)

(73) Assignee: **Shenzhen Zhiling Technology Co., Ltd**, Shenzhen (CN)

(**) Term: **15 Years**

(21) Appl. No.: **29/781,574**

(22) Filed: **Apr. 30, 2021**

(51) **LOC (14) Cl.** **10-05**

(52) **U.S. Cl.**
USPC **D10/118.2**

(58) **Field of Classification Search**
USPC D10/104.1, 109.2, 118, 118.2, 121;
D16/203
CPC G08B 3/00; G08B 6/00; G08B 3/1008;
H04N 7/186; H04M 11/025; H04M
1/0291
See application file for complete search history.

D935,337 S * 11/2021 Huang D10/118.2
D947,701 S * 4/2022 Stefans D10/118.2
D947,702 S * 4/2022 Stefans D10/118.2
D947,703 S * 4/2022 Stefans D10/118.2
D947,704 S * 4/2022 Stefans D10/118.2
D954,583 S * 6/2022 Russo D10/118.2
2019/0364244 A1 * 11/2019 Siminoff G08B 25/10

FOREIGN PATENT DOCUMENTS

CN 201830739558.0 * 7/2019
CN 201930417888.2 * 4/2020
CN 202030392481.1 * 12/2020
CN 202030498011.3 * 3/2021

* cited by examiner

Primary Examiner — George D. Kirschbaum
Assistant Examiner — Lillian Windham

(57) **CLAIM**

The ornamental design for an intelligent doorbell, as shown and described.

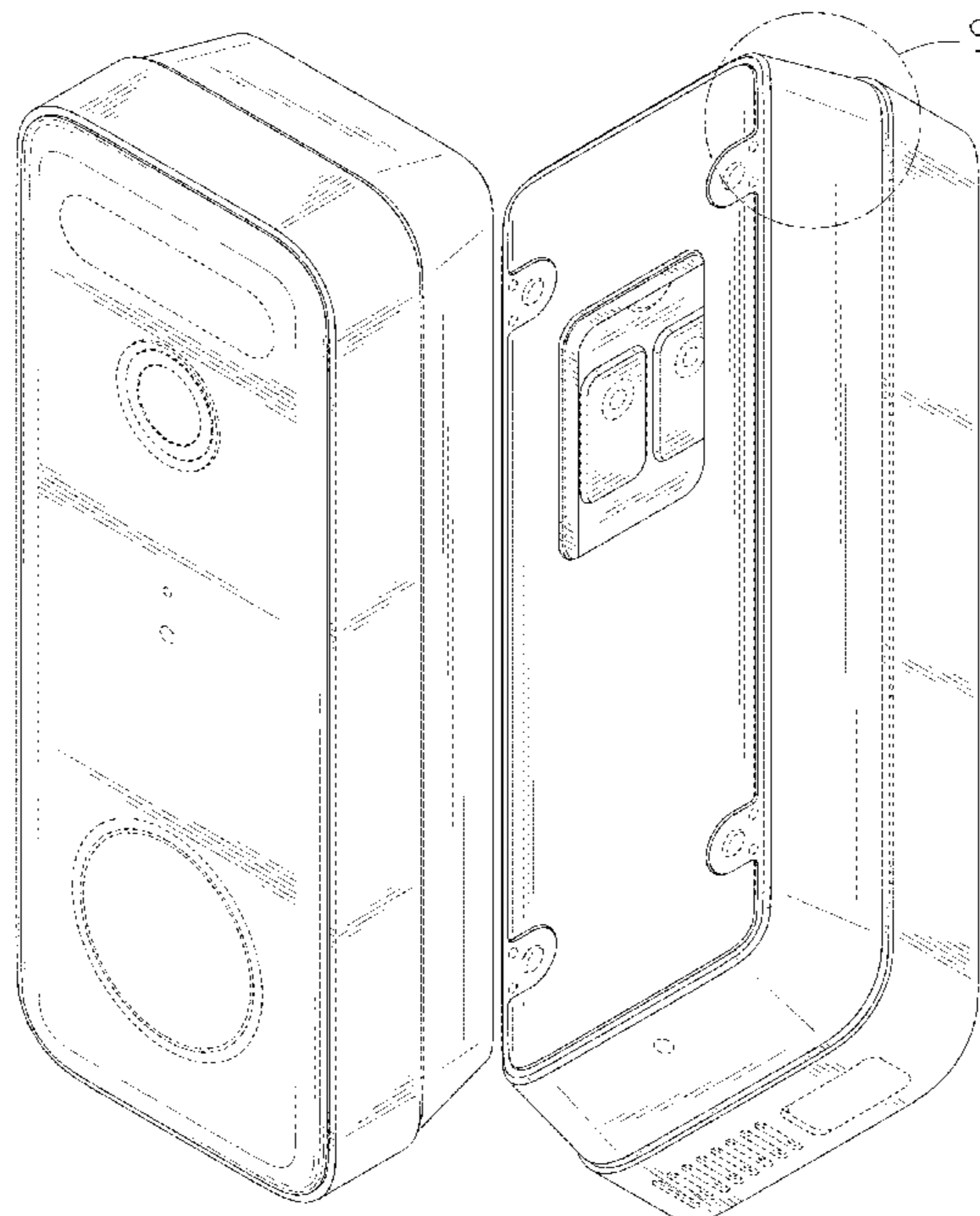
DESCRIPTION

FIG. 1 is a top, front and right side perspective view of an intelligent doorbell showing our new design;
FIG. 2 is a bottom, rear and left side perspective view thereof;
FIG. 3 is a front elevational view thereof;
FIG. 4 is a rear elevational view thereof;
FIG. 5 is left side view thereof;
FIG. 6 is a right side view thereof;
FIG. 7 is a top plan view thereof;
FIG. 8 is a bottom plan view thereof; and,
FIG. 9 is an enlarged view of portion 9 in FIG. 2.
The broken lines in the drawings illustrate portions of the intelligent doorbell which form no part of the claimed design.

(56) **References Cited**
U.S. PATENT DOCUMENTS

D848,299 S * 5/2019 Li D10/118.2
D853,265 S * 7/2019 Grearson D10/118.2
D871,483 S * 12/2019 Chang D10/118.2
D889,300 S * 7/2020 Siminoff D10/118.2
D897,878 S * 10/2020 Lian D10/118.2
D921,511 S * 6/2021 Li D10/118.2
D923,505 S * 6/2021 Scalisi D10/118.2
D927,338 S * 8/2021 Smalley D10/118.2
D928,005 S * 8/2021 Smalley D10/118.2

1 Claim, 9 Drawing Sheets



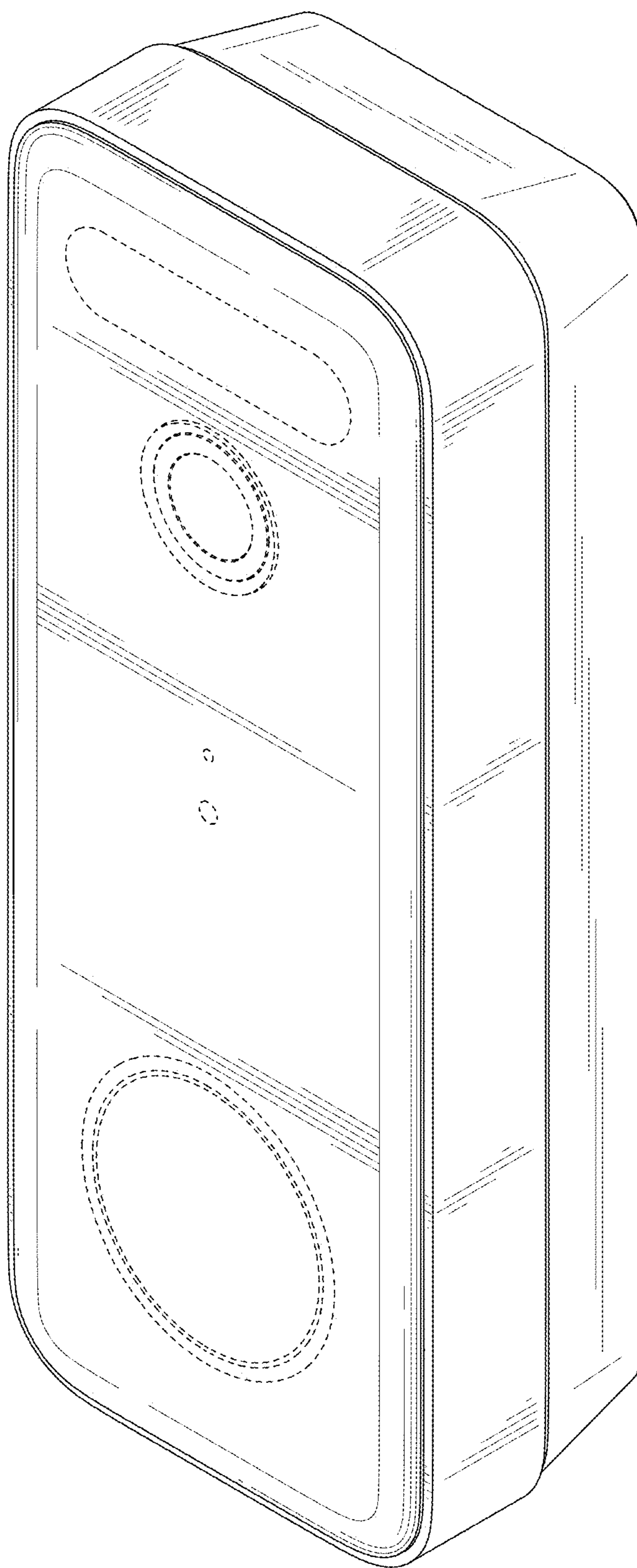


FIG. 1

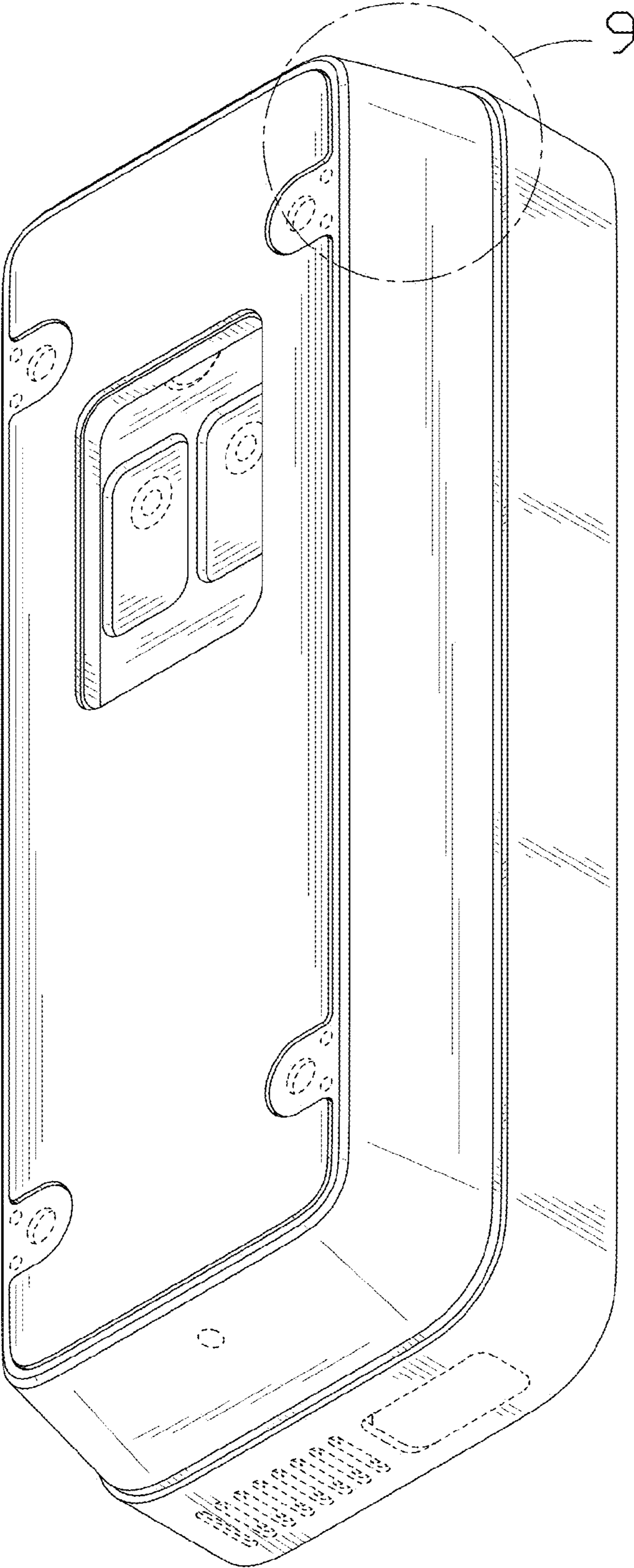


FIG. 2

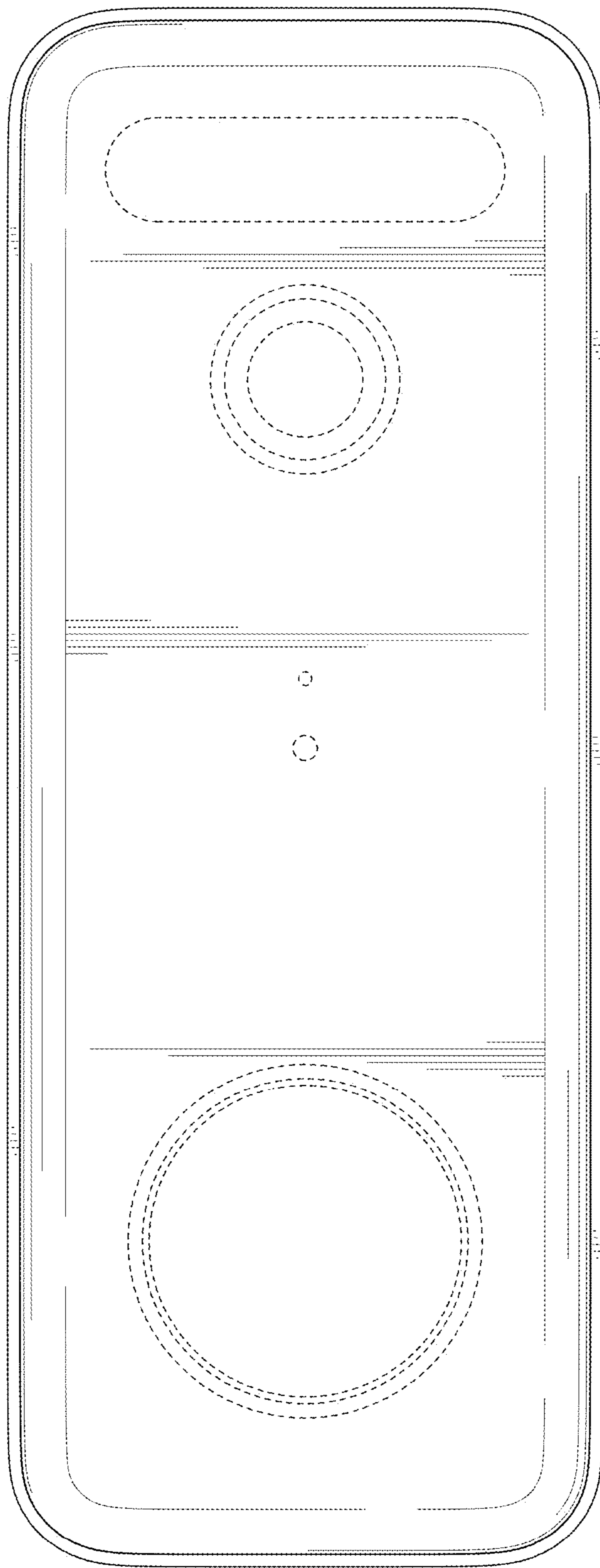


FIG. 3

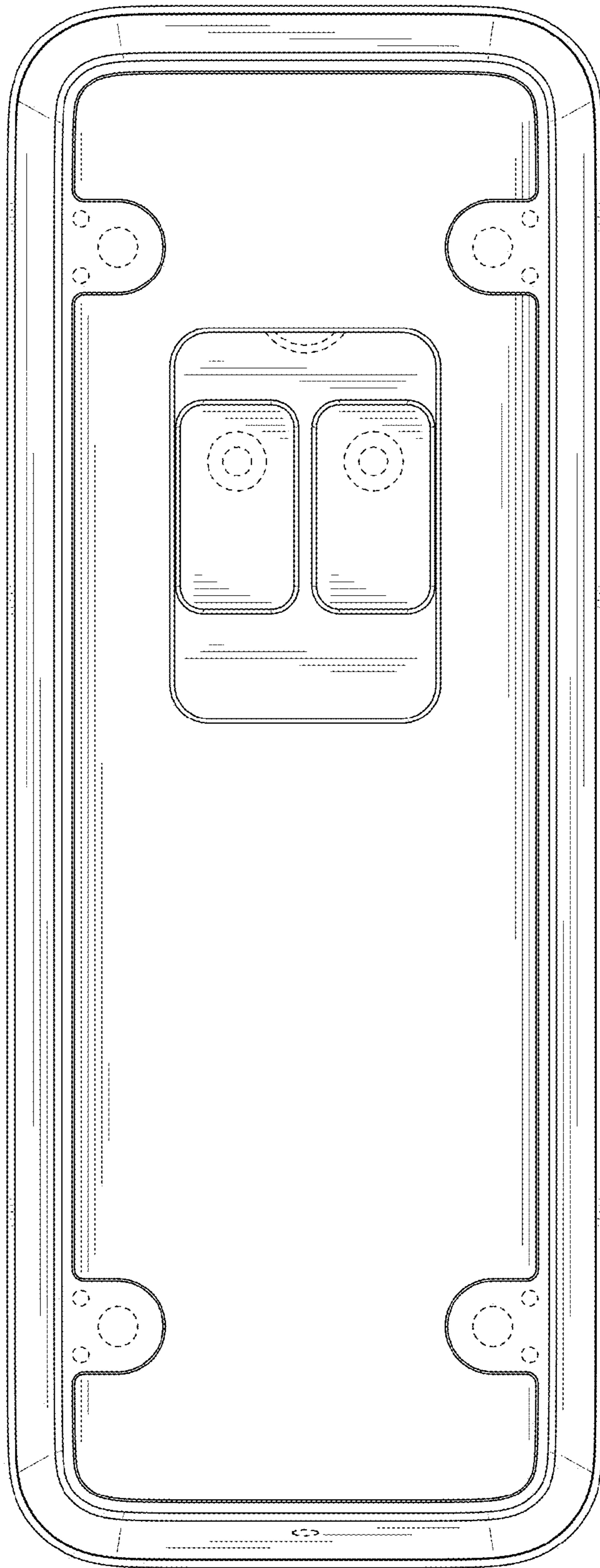


FIG. 4

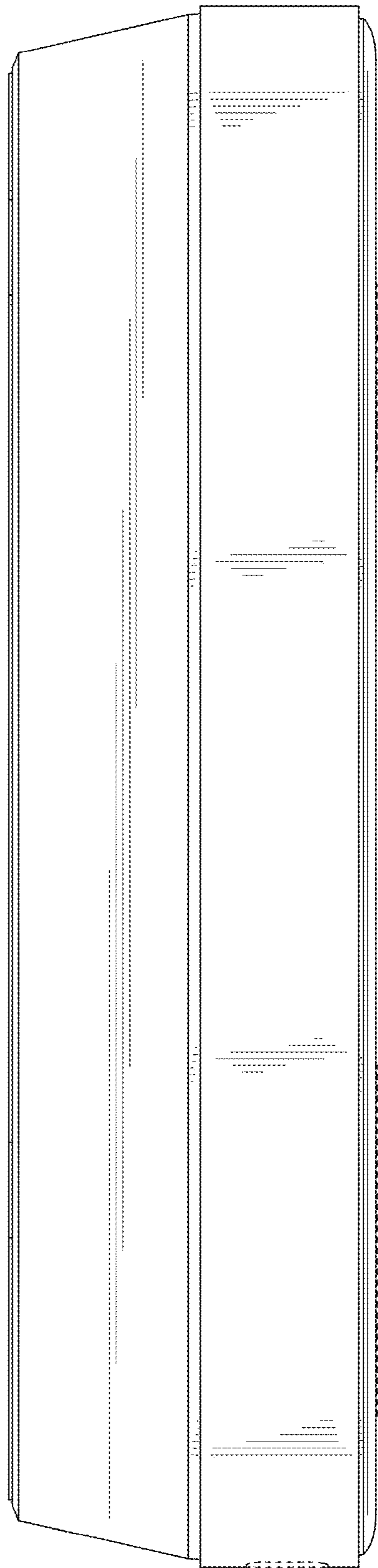


FIG. 5

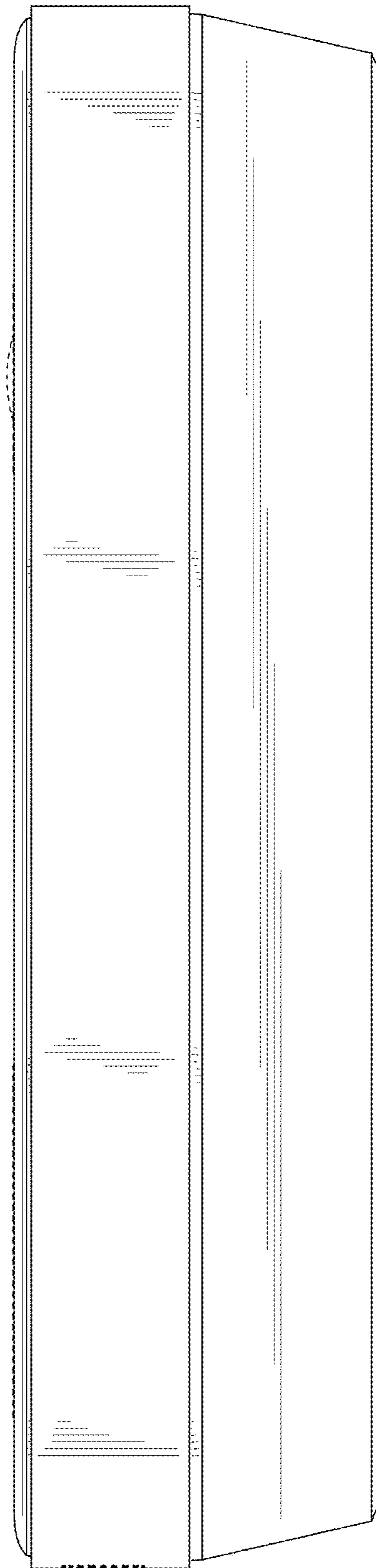


FIG. 6

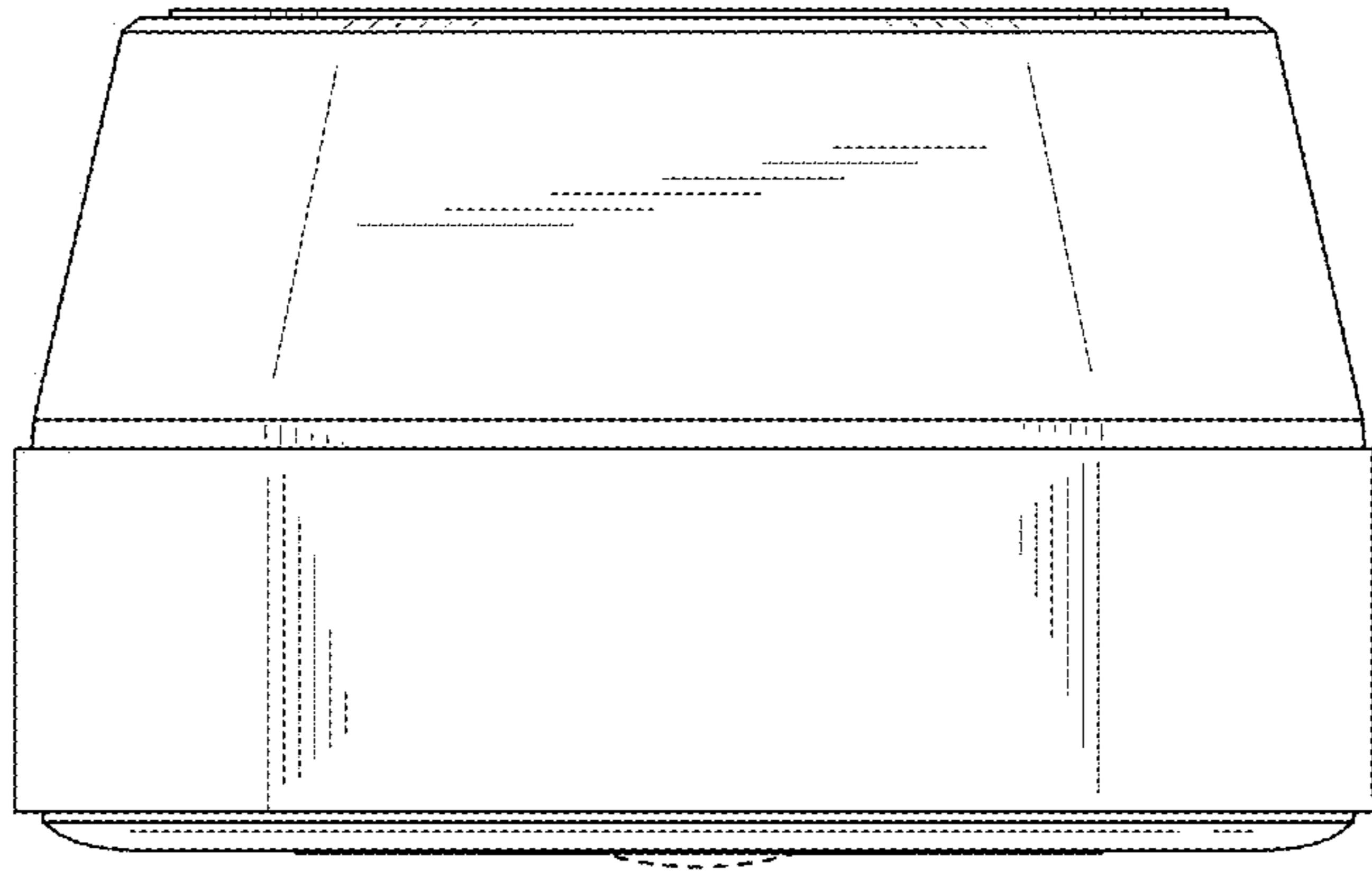


FIG. 7

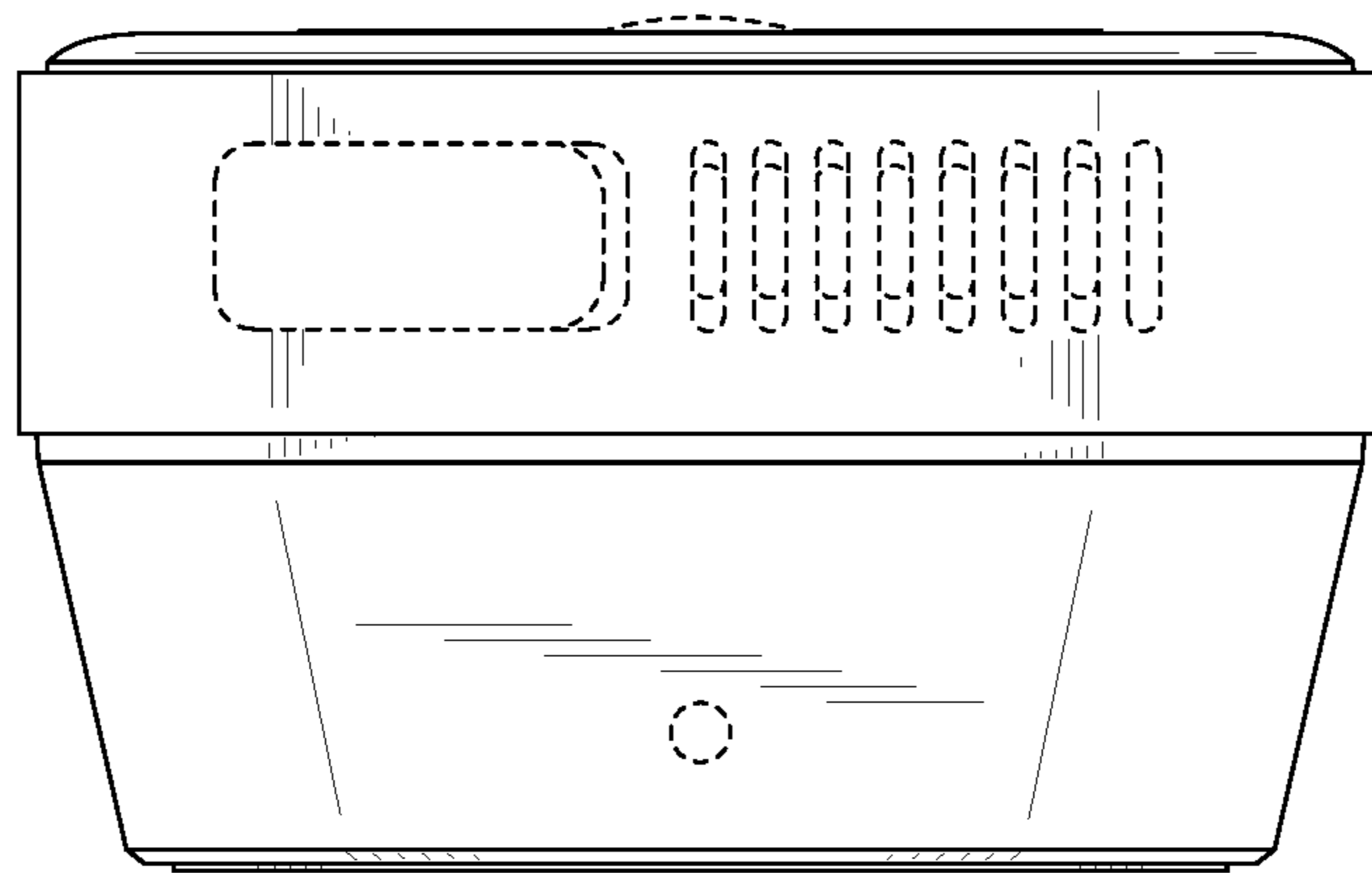


FIG. 8

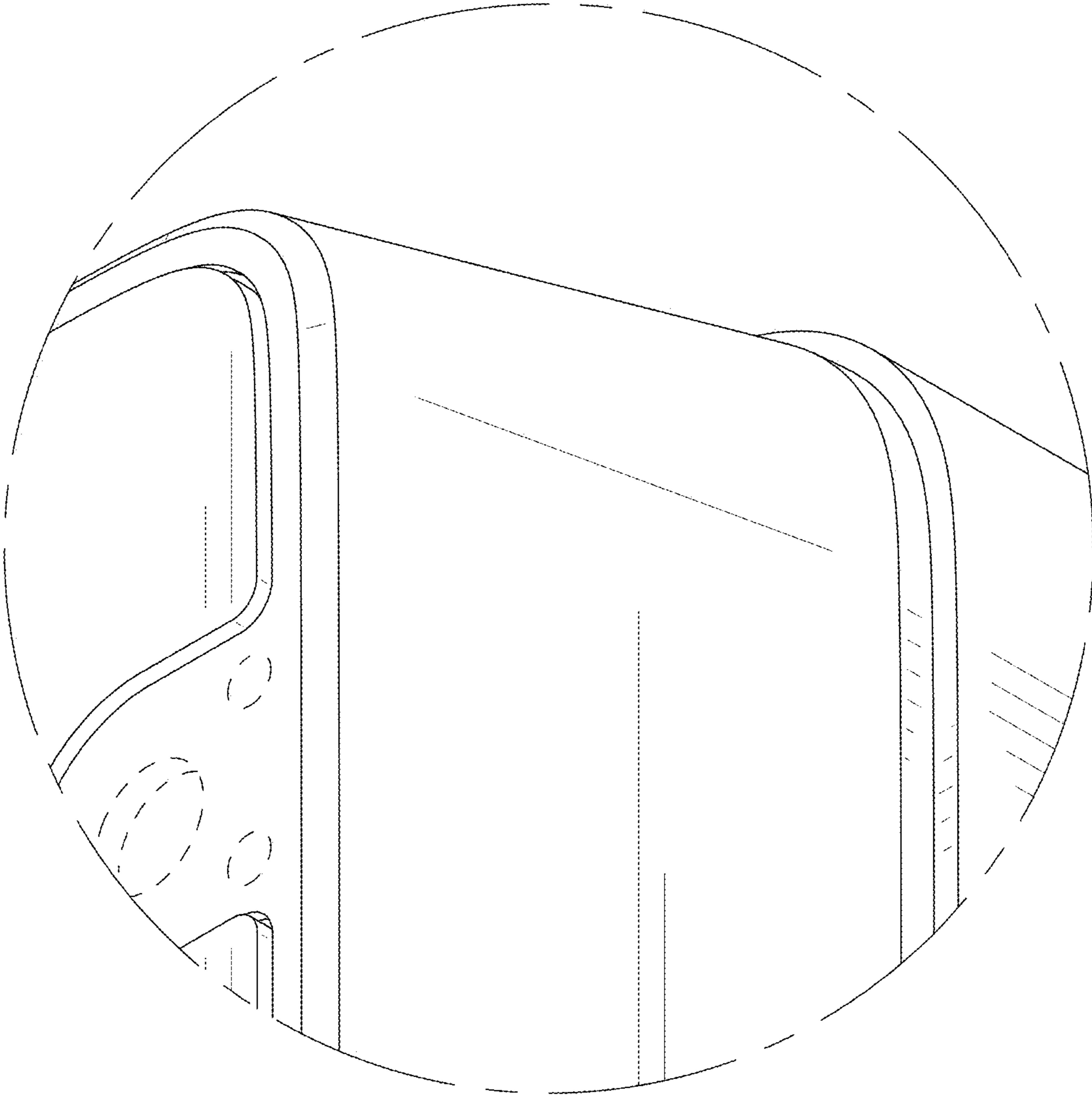


FIG. 9