



US00D975569S

(12) **United States Design Patent** (10) **Patent No.:** **US D975,569 S**
Calvin (45) **Date of Patent:** **** Jan. 17, 2023**

(54) **AIRCRAFT LIGHT**

- (71) Applicant: **Nathan Howard Calvin**, Boise, ID (US)
- (72) Inventor: **Nathan Howard Calvin**, Boise, ID (US)
- (**) Term: **15 Years**
- (21) Appl. No.: **29/743,537**
- (22) Filed: **Jul. 22, 2020**

Related U.S. Application Data

- (63) Continuation of application No. 16/826,695, filed on Mar. 23, 2020, now Pat. No. 11,149,921.
- (51) **LOC (14) Cl.** **10-05**
- (52) **U.S. Cl.**
USPC **D10/114.1**
- (58) **Field of Classification Search**
USPC D10/104.1, 106.1–106.5, 106.7–106.9, D10/106.95, 109.1–109.2, 110, 111, D10/114.1–114.8; D12/190, 401, 406, D12/412, 414; D13/165; D16/202–203, D16/214–215; D26/28, 35–36, 52, 72, D26/102, 104, 118–119, 120, 122
(Continued)

(56) **References Cited**

U.S. PATENT DOCUMENTS

- 3,656,105 A * 4/1972 Steltzer B60Q 1/2615
362/548
- D266,597 S * 10/1982 Roberts C23F 13/14
D26/28

(Continued)

FOREIGN PATENT DOCUMENTS

- CA 111972 * 3/2007

OTHER PUBLICATIONS

Whelen Orion 600, reviewed on aircraftspruce.com on Sep. 30, 2013, retrieved from the internet Jun. 21, 2022. <URL: https://www.aircraftspruce.com/catalog/elpages/whelenorion.php> (Year: 2013).*
(Continued)

Primary Examiner — Joseph Kukella
Assistant Examiner — Heather Ann Laaveg Wencil
(74) *Attorney, Agent, or Firm* — Williams Intellectual Property; Benjamin F. Williams

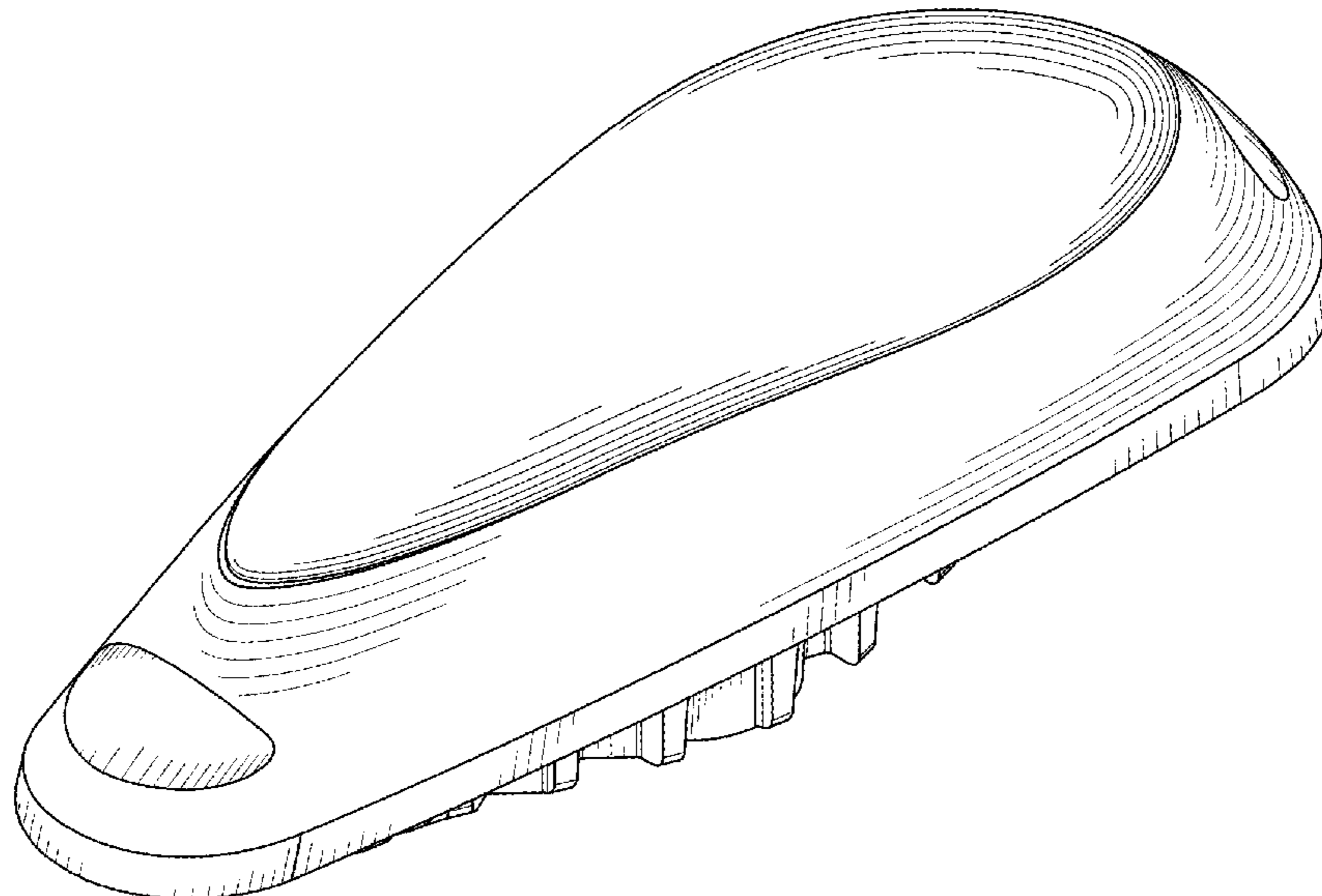
(57) **CLAIM**

The ornamental design for an aircraft light, as shown and described.

DESCRIPTION

FIG. 1 is an elevation view of the ornamental design for an aircraft light;
FIG. 2 is a front elevation view;
FIG. 3 is a top elevation view;
FIG. 4 is a bottom elevation view;
FIG. 5 is a left elevation view;
FIG. 6 is a right elevation view;
FIG. 7 is a diagonal top elevation view;
FIG. 8 is a diagonal bottom elevation view;
FIG. 9 is a diagonal bottom elevation view, viewed from the side opposite that shown in FIG. 8;
FIG. 10 is front elevation view in situ upon an aircraft;
FIG. 11 is a diagonal elevation view in situ upon an aircraft;
FIG. 12 is a top elevation view in situ upon an aircraft; and, FIG. 13 is side elevation view in situ upon an aircraft.
The portions of the aircraft shown in broken lines are for the purpose of showing the environment in which the design may be seen and from no part of the claimed design.

1 Claim, 13 Drawing Sheets



(58) **Field of Classification Search**
 CPC F21W 2102/00–40; F21W 2103/00–60;
 A42B 3/0433; A42B 3/044
 See application file for complete search history.

(56) **References Cited**

U.S. PATENT DOCUMENTS

D334,073 S *	3/1993	Wishoff	B64D 47/06 D26/28
D424,723 S *	5/2000	Hall	F21V 5/045 D26/28
6,217,203 B1 *	4/2001	Rogers	F21S 43/51 362/546
D465,294 S *	11/2002	Crookes	H05B 45/24 D26/28
D468,047 S *	12/2002	Lara	F21S 43/51 D26/85
D592,780 S *	5/2009	Calvin	D26/28
D640,181 S *	6/2011	Calvin	B60Q 1/2615 D12/345
D709,212 S *	7/2014	Peltola	D26/28
D764,084 S *	8/2016	Huntley	D26/28
D797,364 S *	9/2017	Deyaf	F21S 41/19 D26/120

D887,037 S *	6/2020	McLellan	F21S 41/19 D26/24
10,919,643 B1 *	2/2021	Palaniappan	B64D 47/02
11,149,921 B2 *	10/2021	Calvin	F21V 5/04
2005/0230839 A1 *	10/2005	Despont	C23F 13/14 257/769
2008/0310176 A1 *	12/2008	Himi	B64D 47/06 362/470
2011/0019430 A1 *	1/2011	Wilkinson	H05B 45/24 362/470
2011/0299293 A1 *	12/2011	Stout	B64D 47/06 362/470
2021/0293395 A1 *	9/2021	Calvin	F21V 5/045

OTHER PUBLICATIONS

AeroLeds Pulsar NSP, reviewed on Sportys.com on Aug. 25, 2018, retrieved from the internet Jun. 21, 2022. <URL: <https://www.sportys.com/aeroleds-pulsar-nsp-pair.html>> (Year: 2018).*

Marine Boat Bulb, reviewed on Walmart.com on Apr. 16, 2021, retrieved from the internet Jun. 21, 2022. <URL: <https://www.walmart.com/ip/Pactrade-Marine-Boat-Navigation-Side-Light-Pair-Vertical-Mount-Red-and-Green-Splash-Proof-12V/944048435>> (Year: 2021).*

* cited by examiner

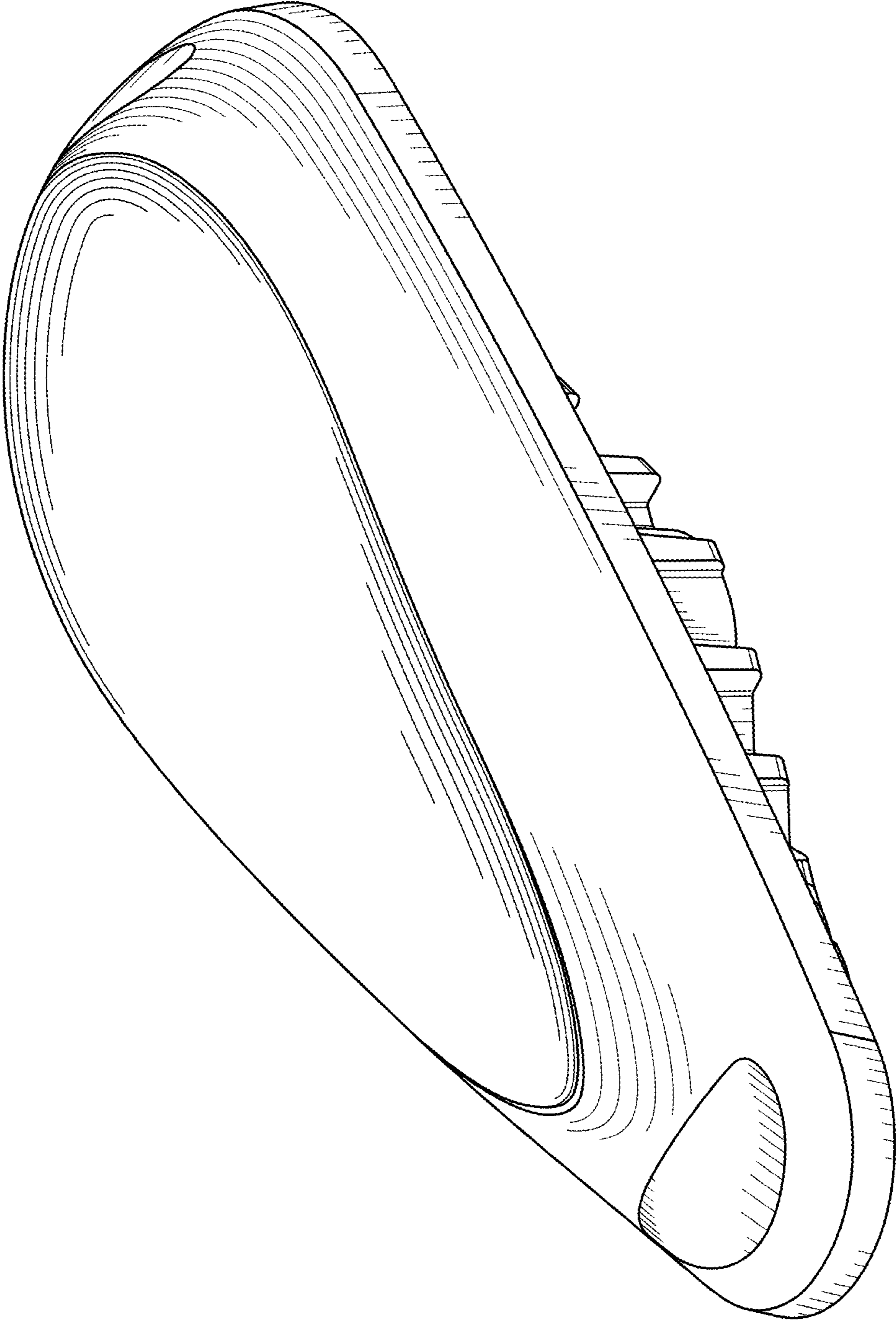


FIG. 1

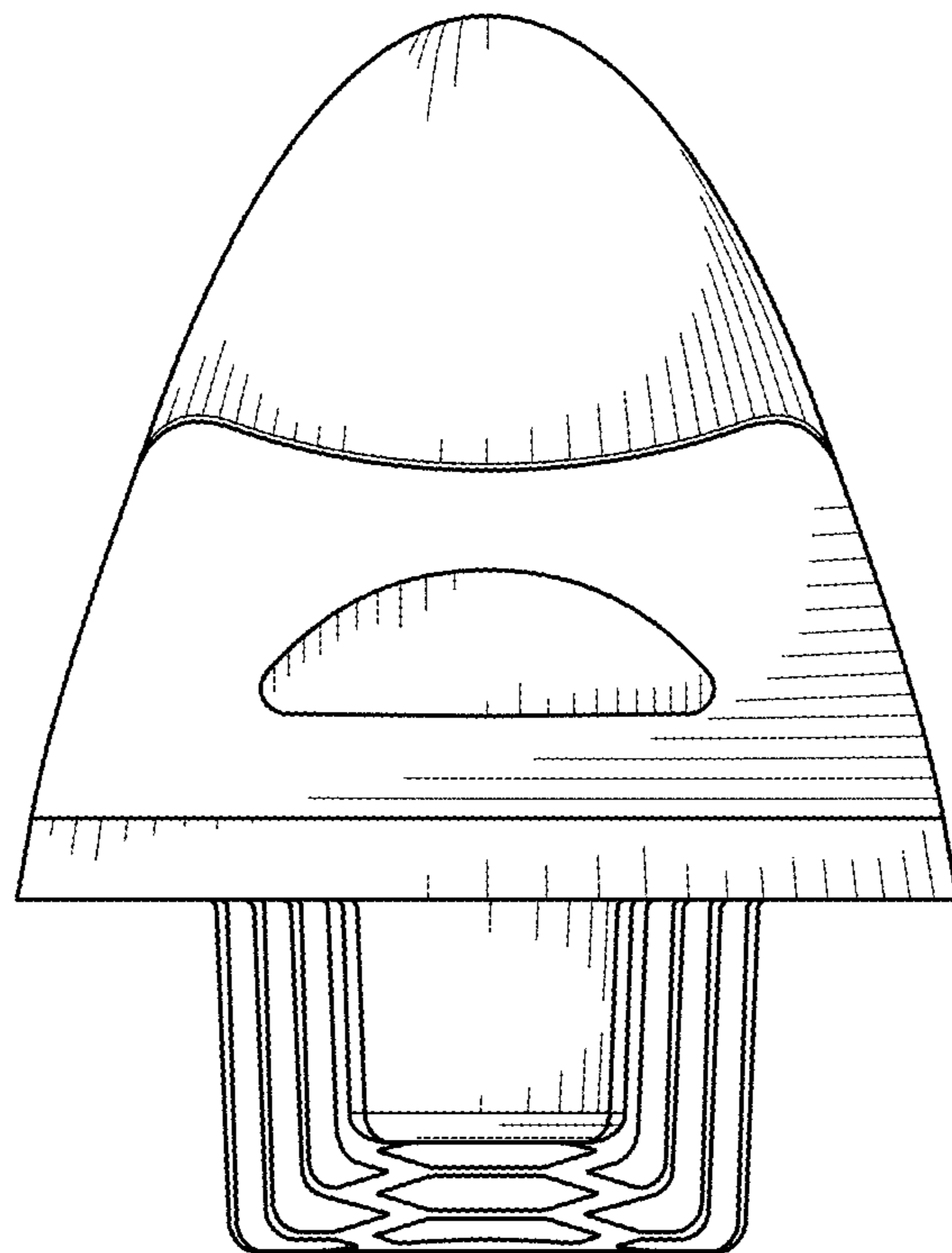


FIG. 2

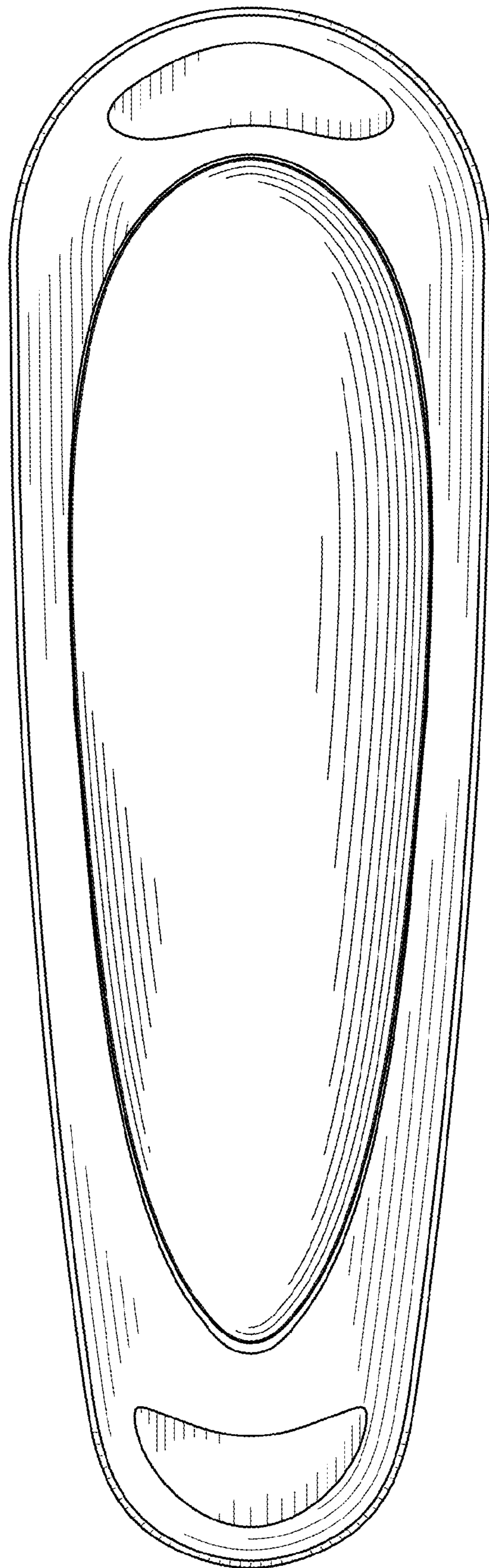


FIG. 3

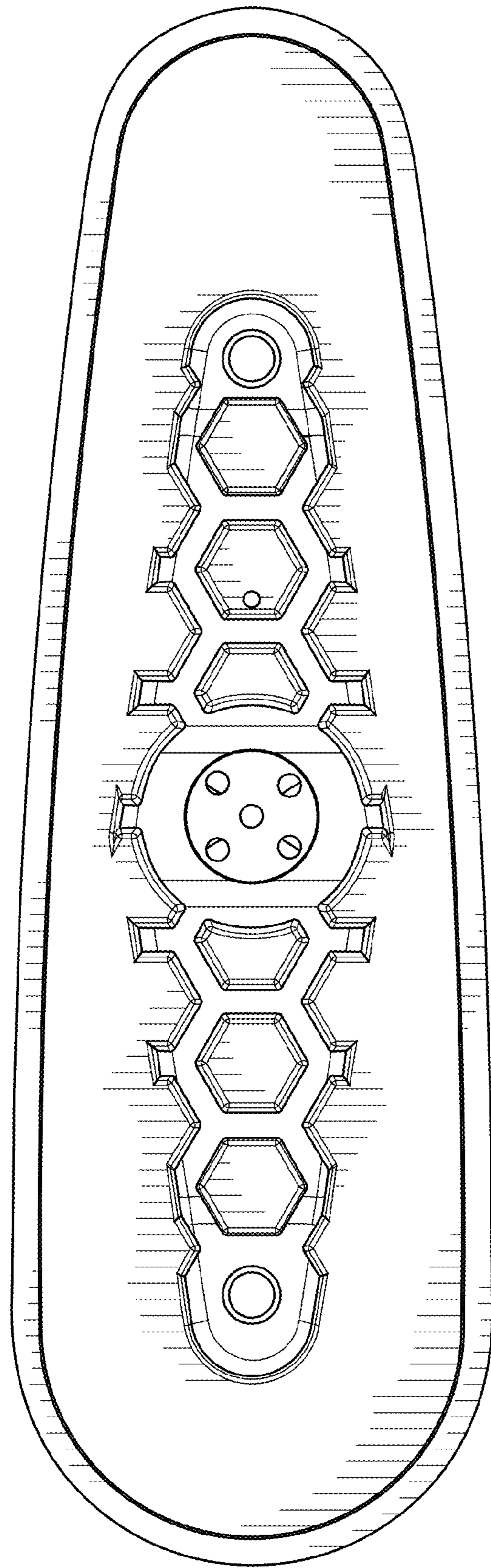


FIG. 4

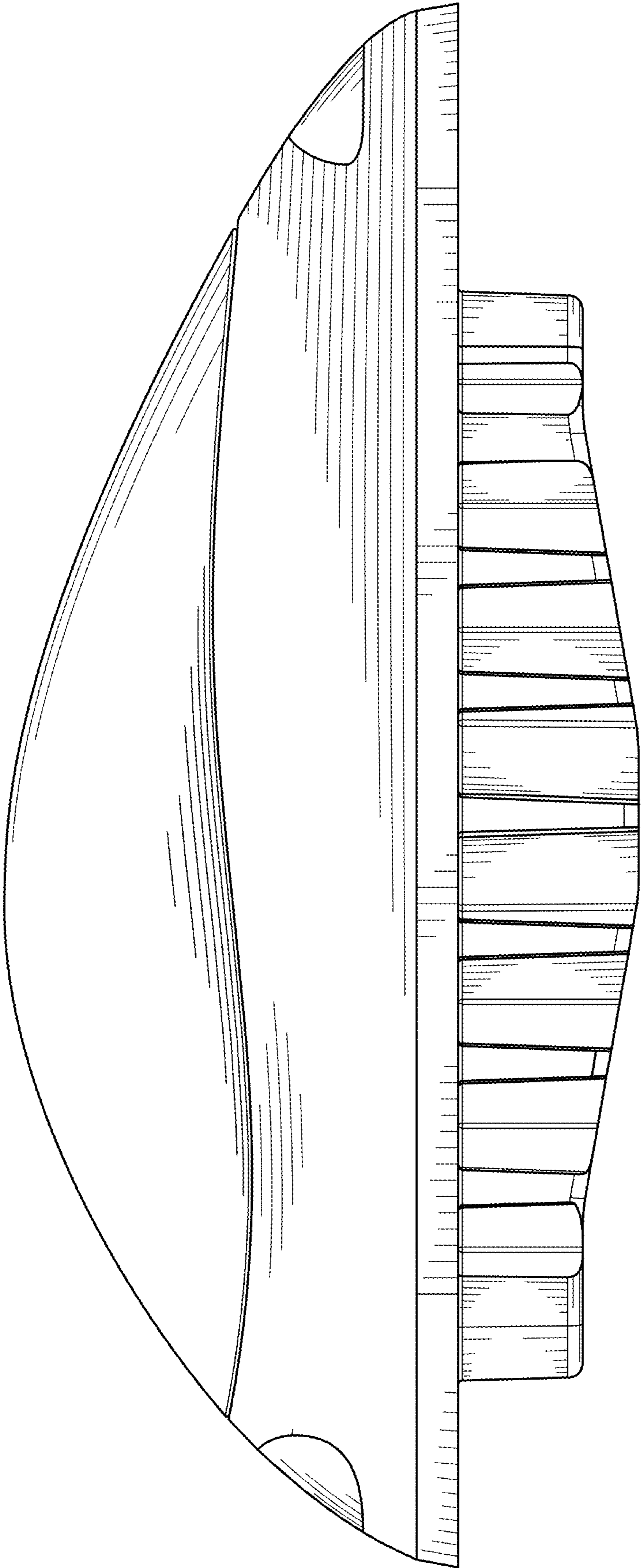


FIG. 5

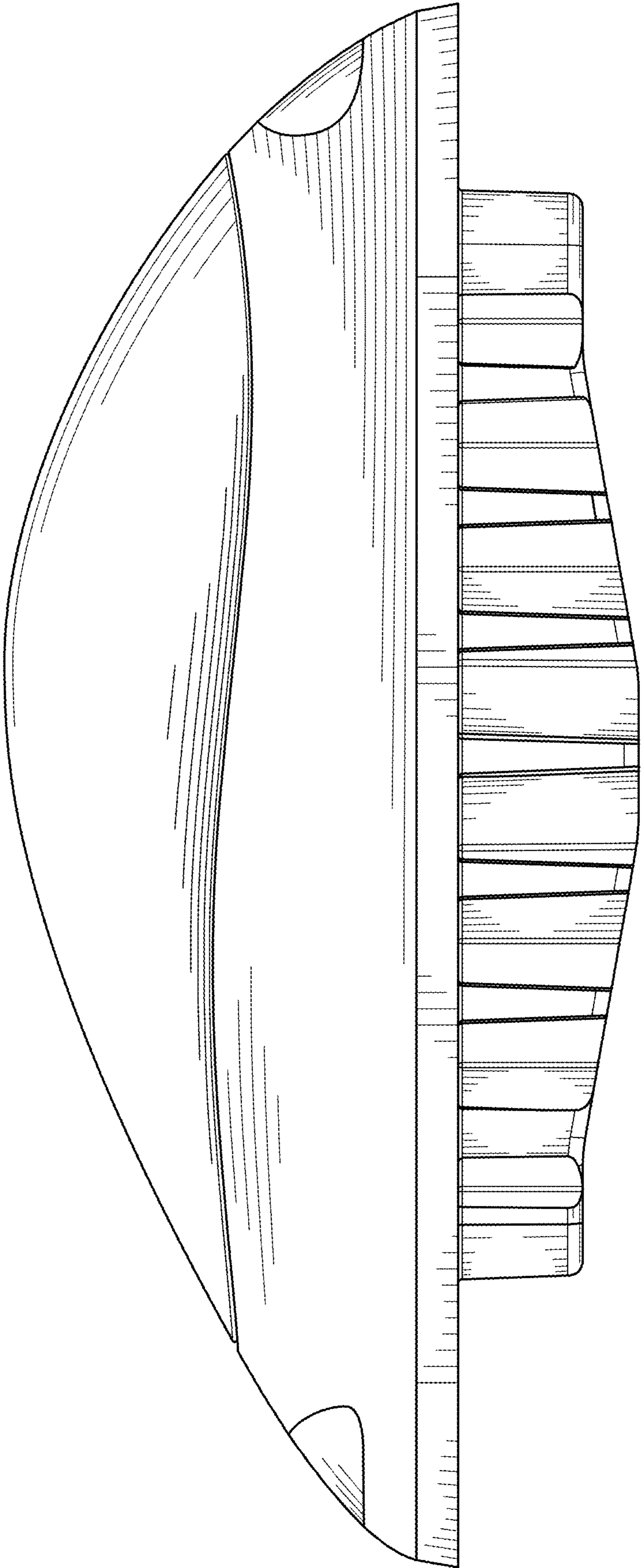


FIG. 6

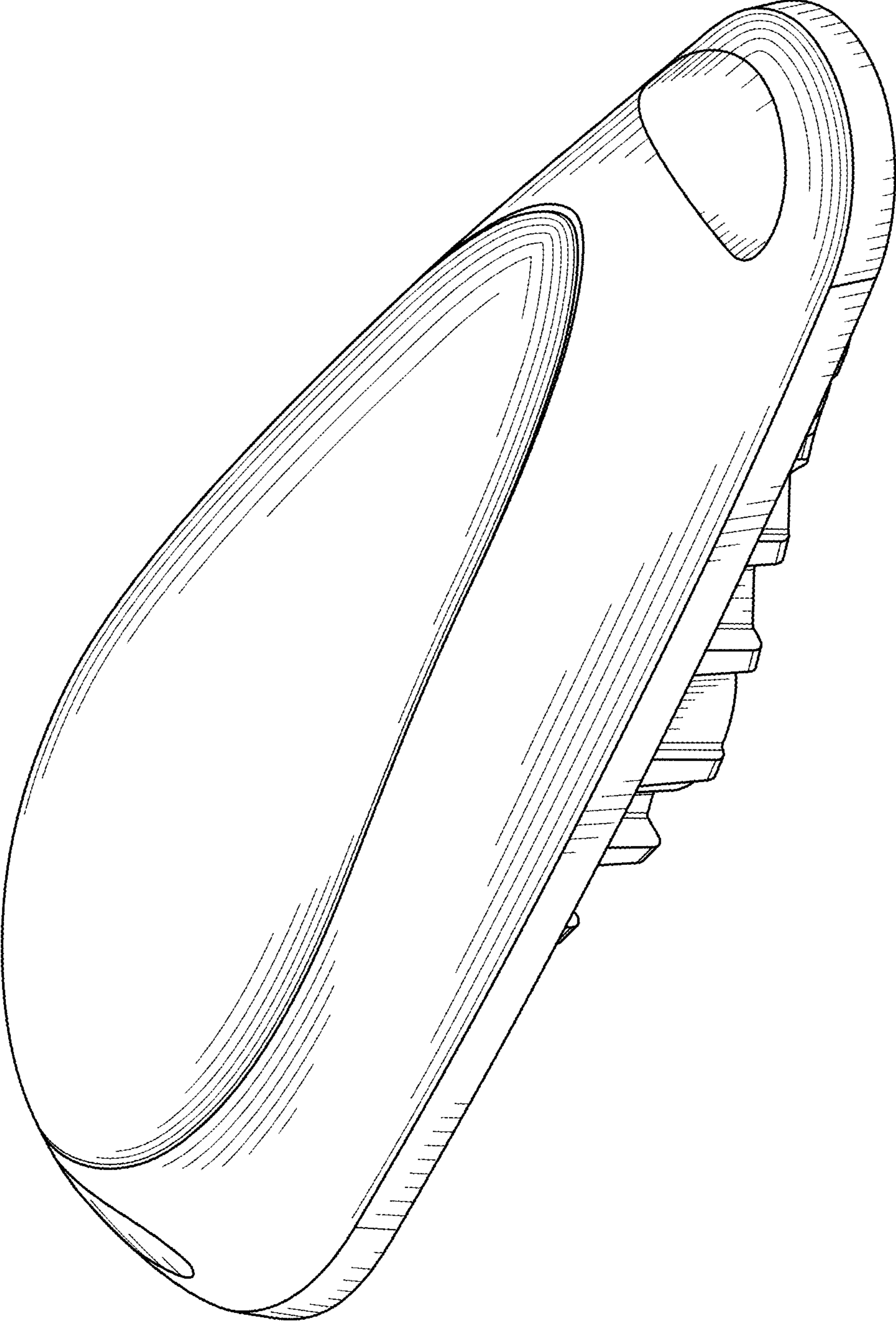


FIG. 7

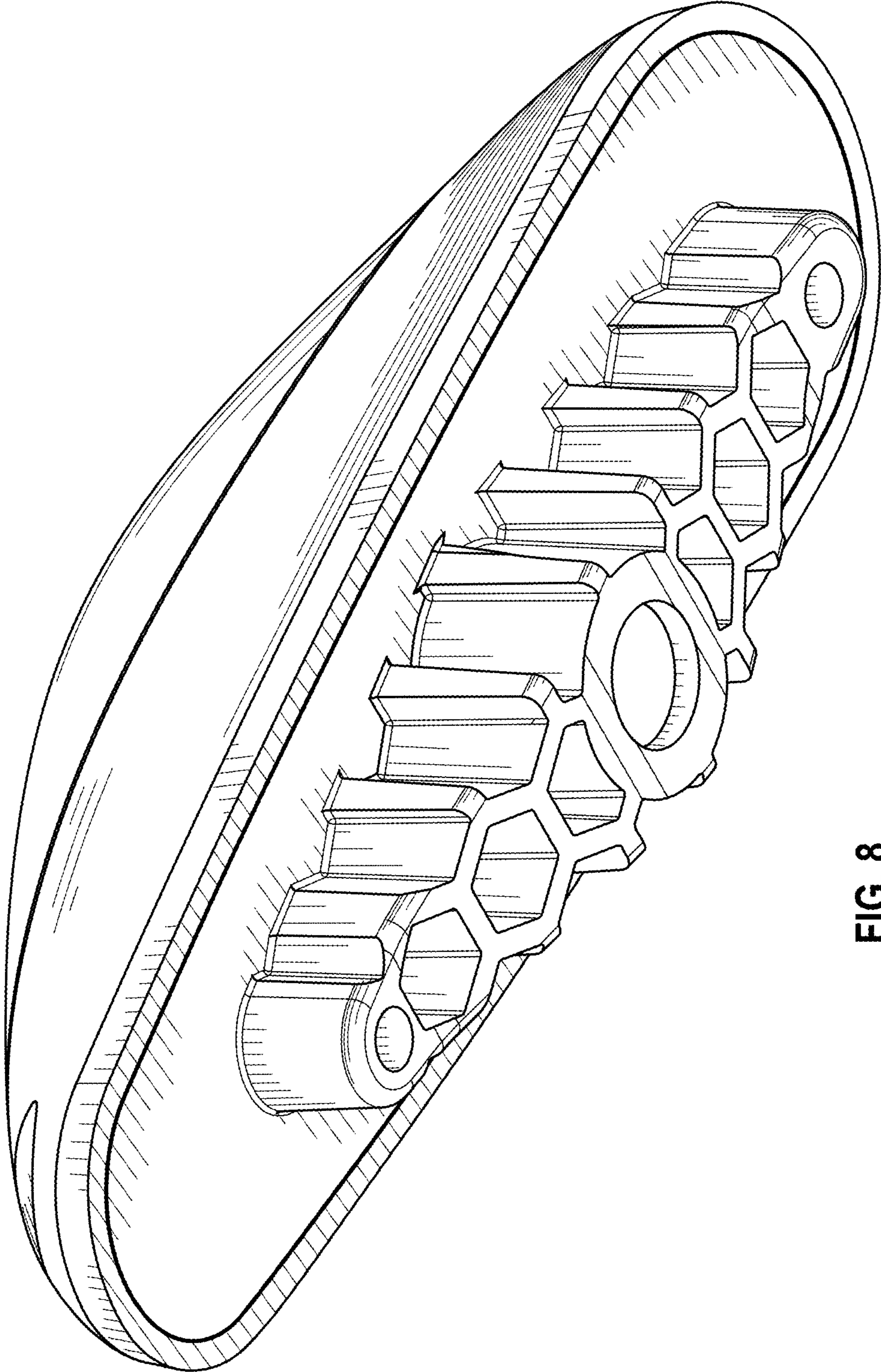


FIG. 8

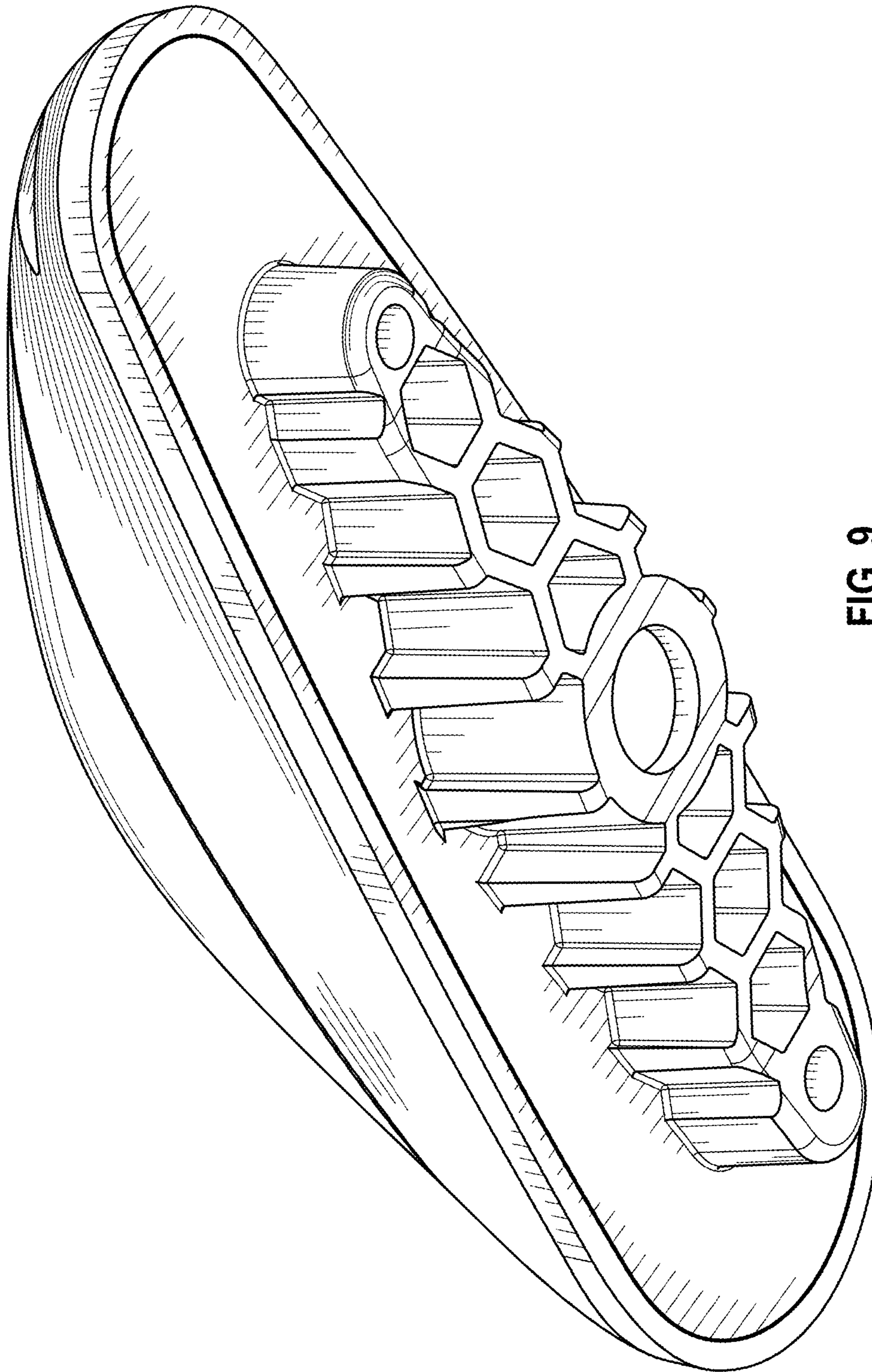


FIG. 9

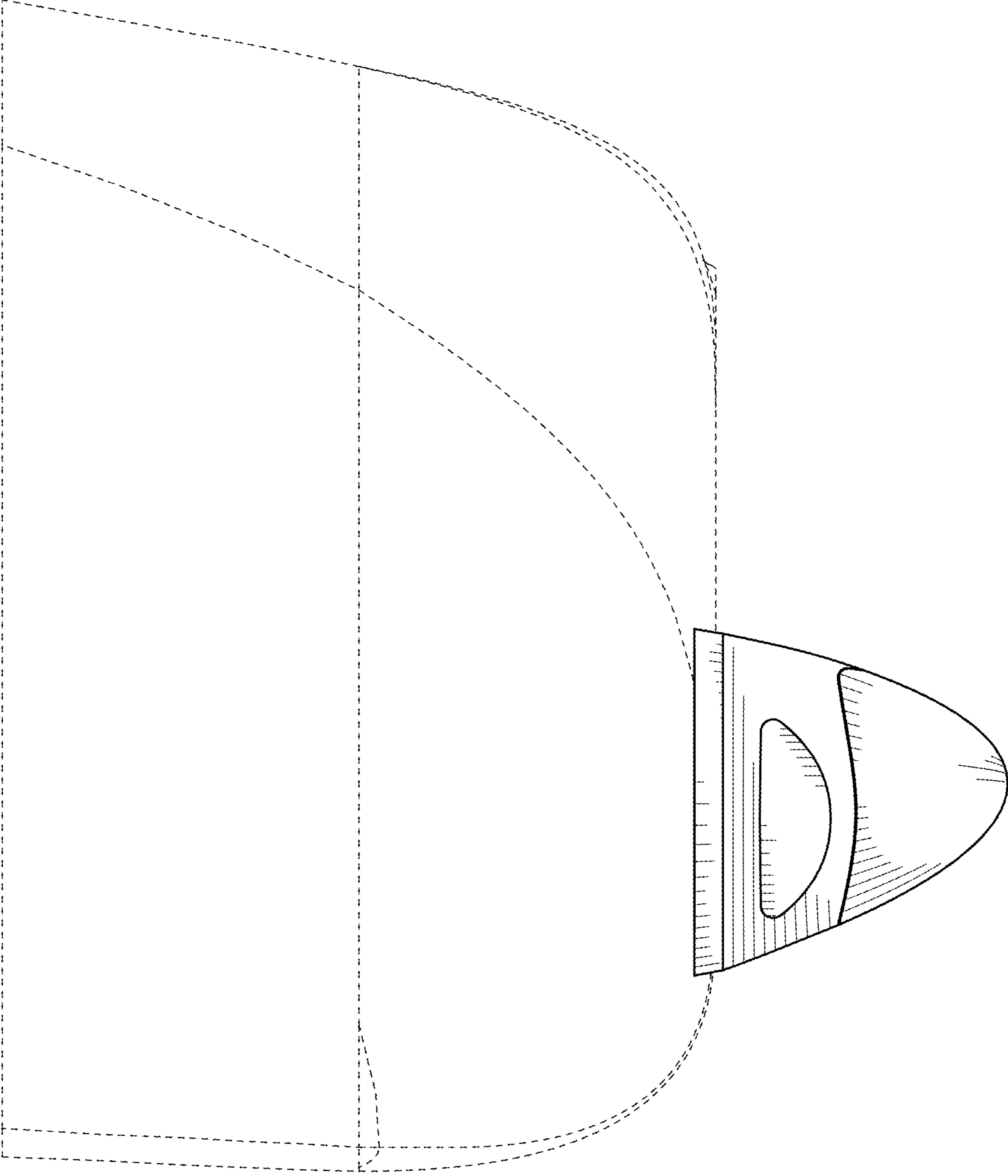


FIG. 10

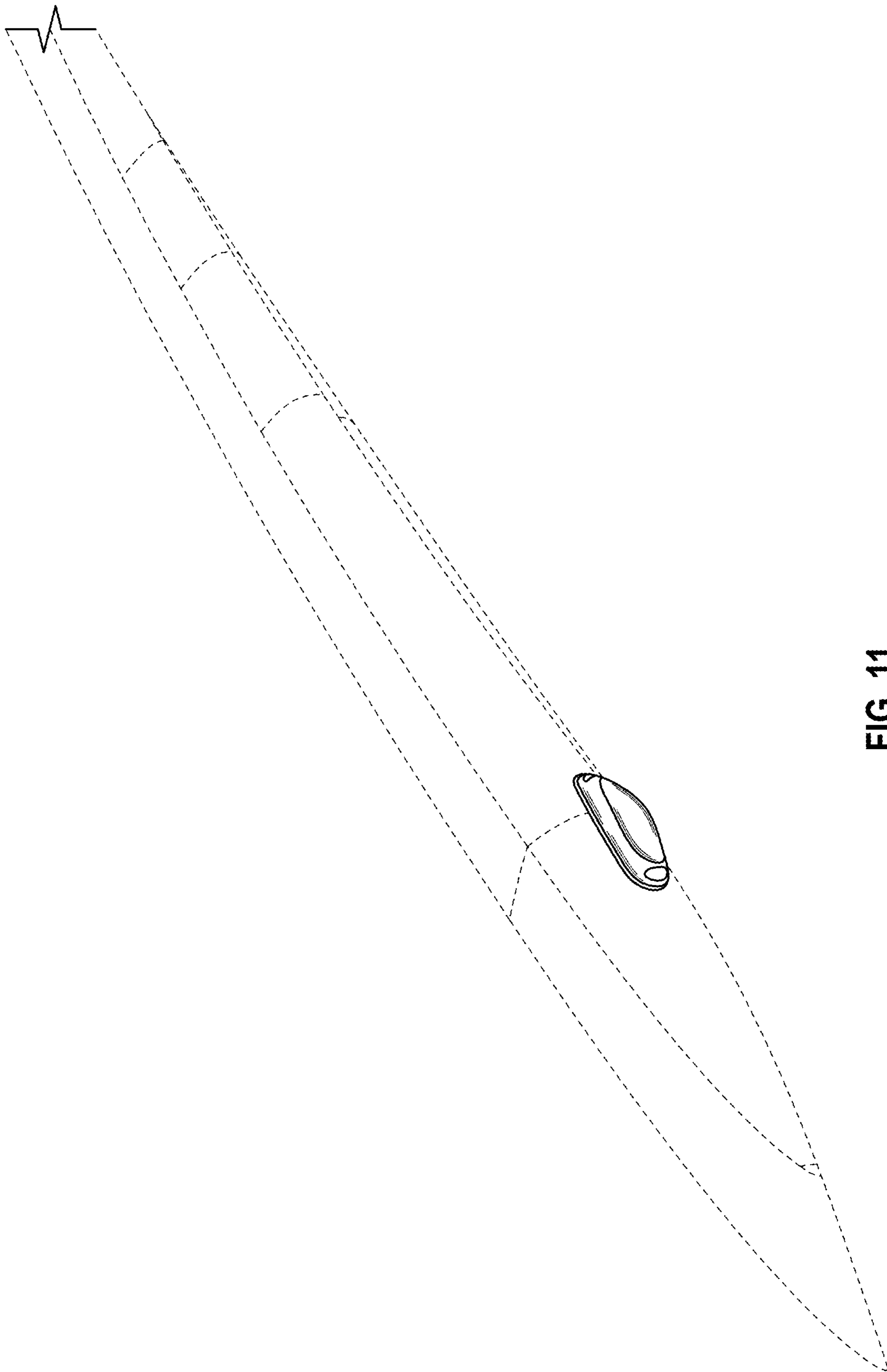


FIG. 11

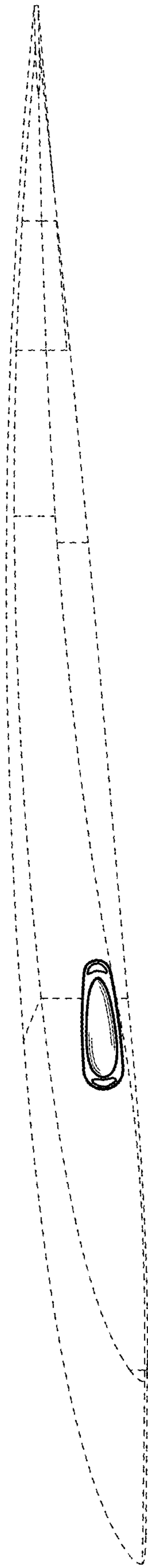


FIG. 12

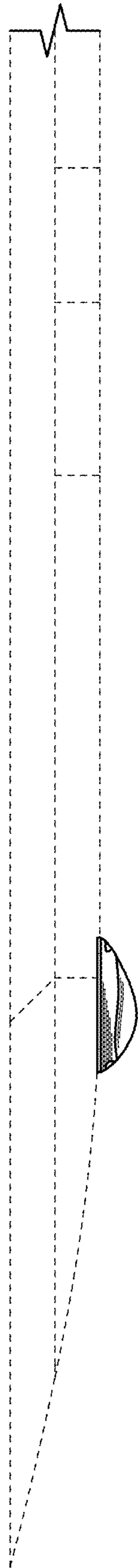


FIG. 13