



US00D975567S

(12) **United States Design Patent**  
**He**

(10) **Patent No.:** **US D975,567 S**

(45) **Date of Patent:** **\*\* Jan. 17, 2023**

(54) **SMOKE DETECTOR**

(71) Applicant: **SHENZHEN BABA INTELLIGENT TECHNOLOGY CO., LTD**, Shenzhen (CN)

(72) Inventor: **Zhanhuai He**, Zhengning (CN)

(\*\*) Term: **15 Years**

(21) Appl. No.: **29/798,622**

(22) Filed: **Jul. 9, 2021**

(30) **Foreign Application Priority Data**

Jun. 30, 2021 (CN) ..... 202130410955.5

(51) **LOC (14) Cl.** ..... **10-05**

(52) **U.S. Cl.**  
USPC ..... **D10/106.5**

(58) **Field of Classification Search**  
USPC ..... D10/104.1, 104.2, 106.2, 106.3, 106.5,  
D10/106.6, 106.7, 120, 121; D16/203;  
D14/150; D26/118

CPC .... G08B 17/107; G08B 17/11; G08B 29/043;  
G08B 17/00; G08B 17/10; G08B 29/145;  
G08B 17/103

See application file for complete search history.

(56) **References Cited**

**U.S. PATENT DOCUMENTS**

D254,188 S *	2/1980	Odom	.....	D10/106.5
D260,975 S *	9/1981	Lam	.....	D10/106.5
D283,407 S *	4/1986	Fenne	.....	D10/106.5
D284,272 S *	6/1986	Chen	.....	D10/121
D359,701 S *	6/1995	Fischette	.....	D10/106.5
D361,732 S *	8/1995	Fischette	.....	D10/106.5
D472,175 S *	3/2003	Welsh	.....	D10/106.5
D487,405 S *	3/2004	Job	.....	D10/106.5
D650,116 S *	12/2011	Buyce	.....	D26/118

D715,670 S *	10/2014	Stagg	.....	D10/106.5
D770,930 S *	11/2016	Li	.....	D10/106.2
D771,512 S *	11/2016	Kalyan	.....	D10/106.5
D773,332 S *	12/2016	Kalyan	.....	D10/106.5
D814,436 S *	4/2018	Wen	.....	D14/150
D868,608 S *	12/2019	Ou	.....	D10/106.6
D885,225 S *	5/2020	Liu	.....	D10/106.5
D911,198 S *	2/2021	Zhang	.....	D10/106.5
D911,199 S *	2/2021	Zhang	.....	D10/106.5
D912,556 S *	3/2021	Zhang	.....	D10/106.5
D931,749 S *	9/2021	Zhong	.....	D10/106.5
D931,750 S *	9/2021	Zhong	.....	D10/106.5

\* cited by examiner

*Primary Examiner* — George D. Kirschbaum

*Assistant Examiner* — Lillian Windham

(74) *Attorney, Agent, or Firm* — Runit Ranjit Kanakia

(57) **CLAIM**

The ornamental design for a smoke detector, as shown and described.

**DESCRIPTION**

FIG. 1 is a first perspective view of a smoke detector showing my new design;

FIG. 2 is a second perspective view thereof;

FIG. 3 is a front view thereof;

FIG. 4 is a back view thereof;

FIG. 5 is a left side view thereof;

FIG. 6 is a right side view thereof;

FIG. 7 is a top view thereof;

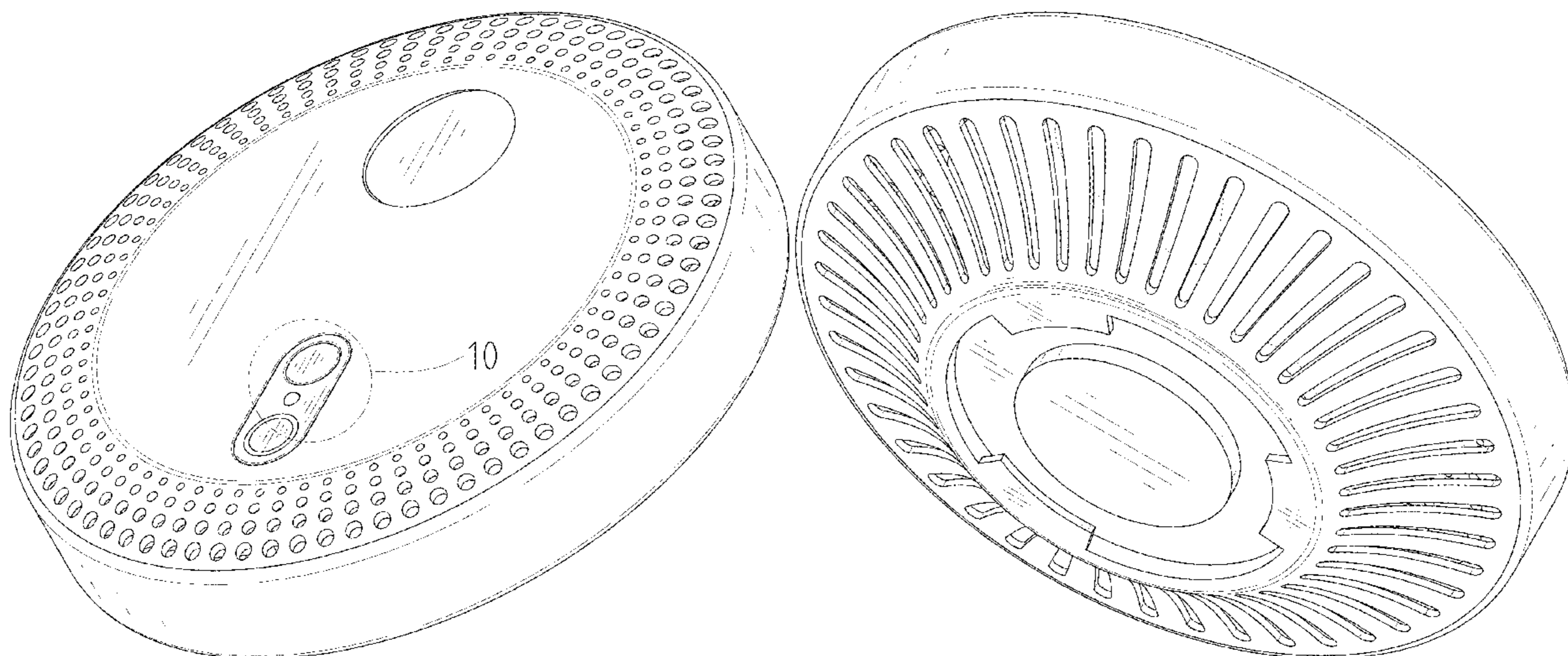
FIG. 8 is a bottom view thereof;

FIG. 9 is a perspective view of another state of the smoke detector thereof; and,

FIG. 10 is an enlarged view of the selected portion in FIG. 1.

The broken lines shown in the drawings depict portions of the smoke detector in which the design is embodied that form no part of the claimed design.

**1 Claim, 10 Drawing Sheets**



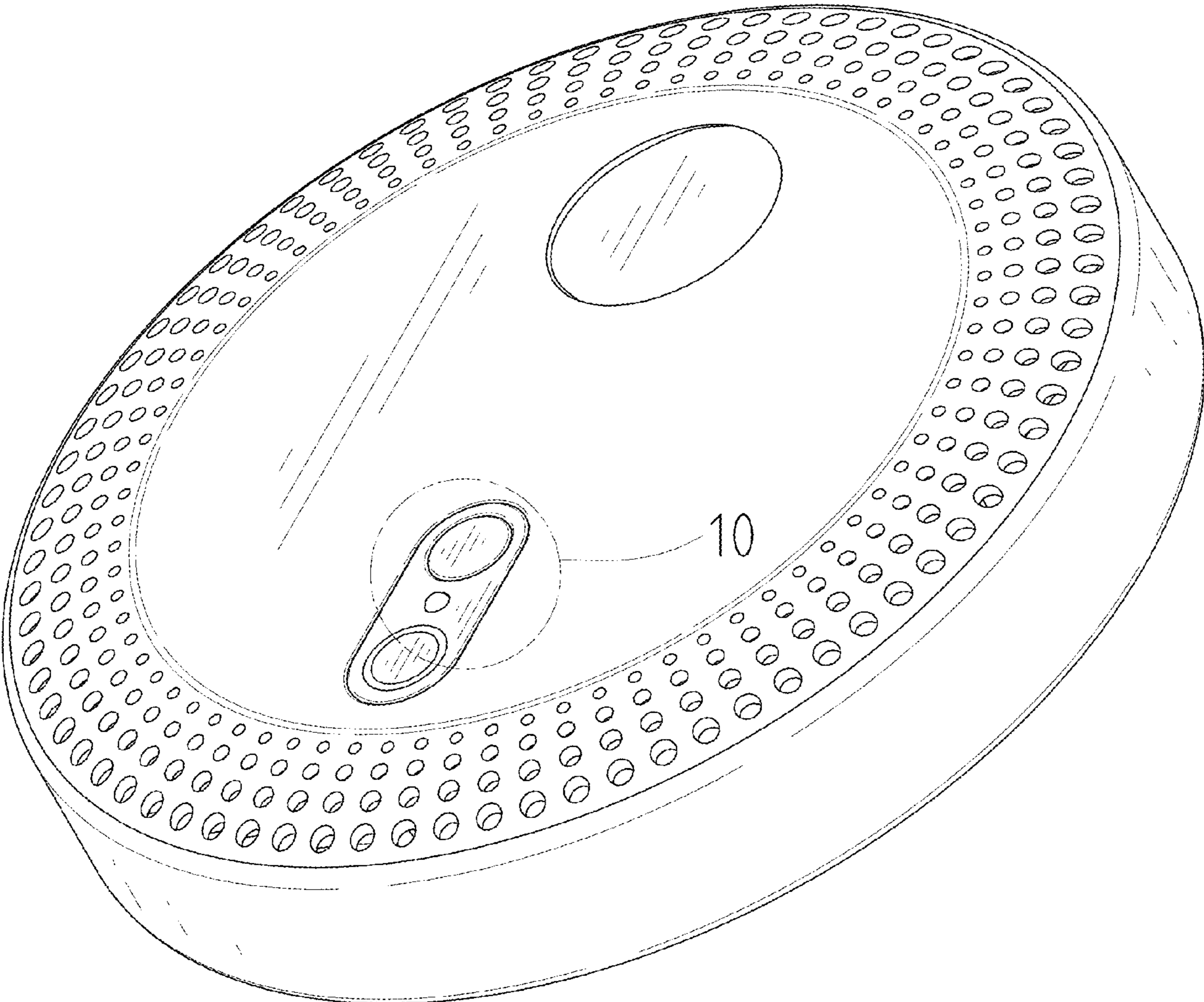


FIG. 1

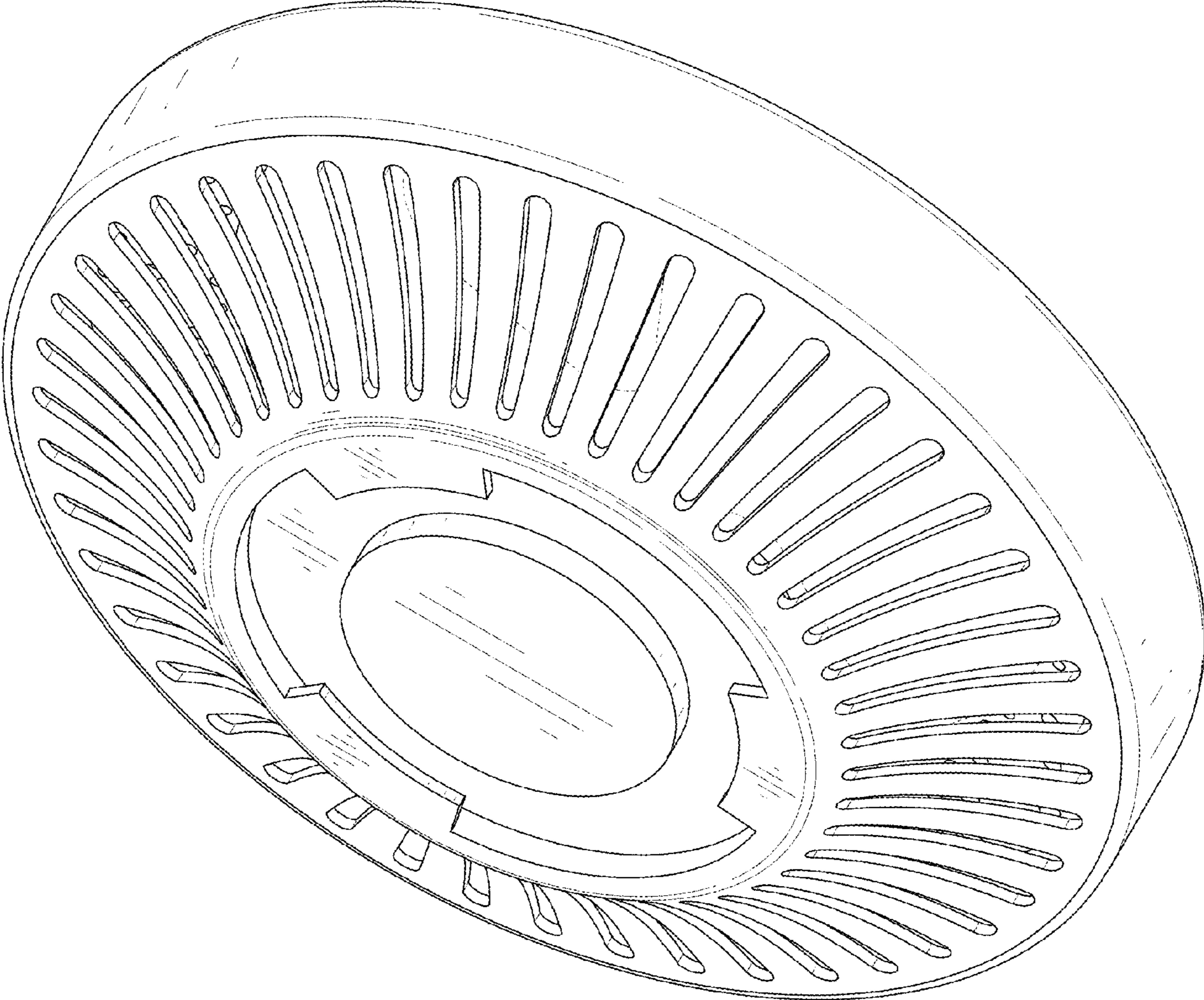


FIG. 2

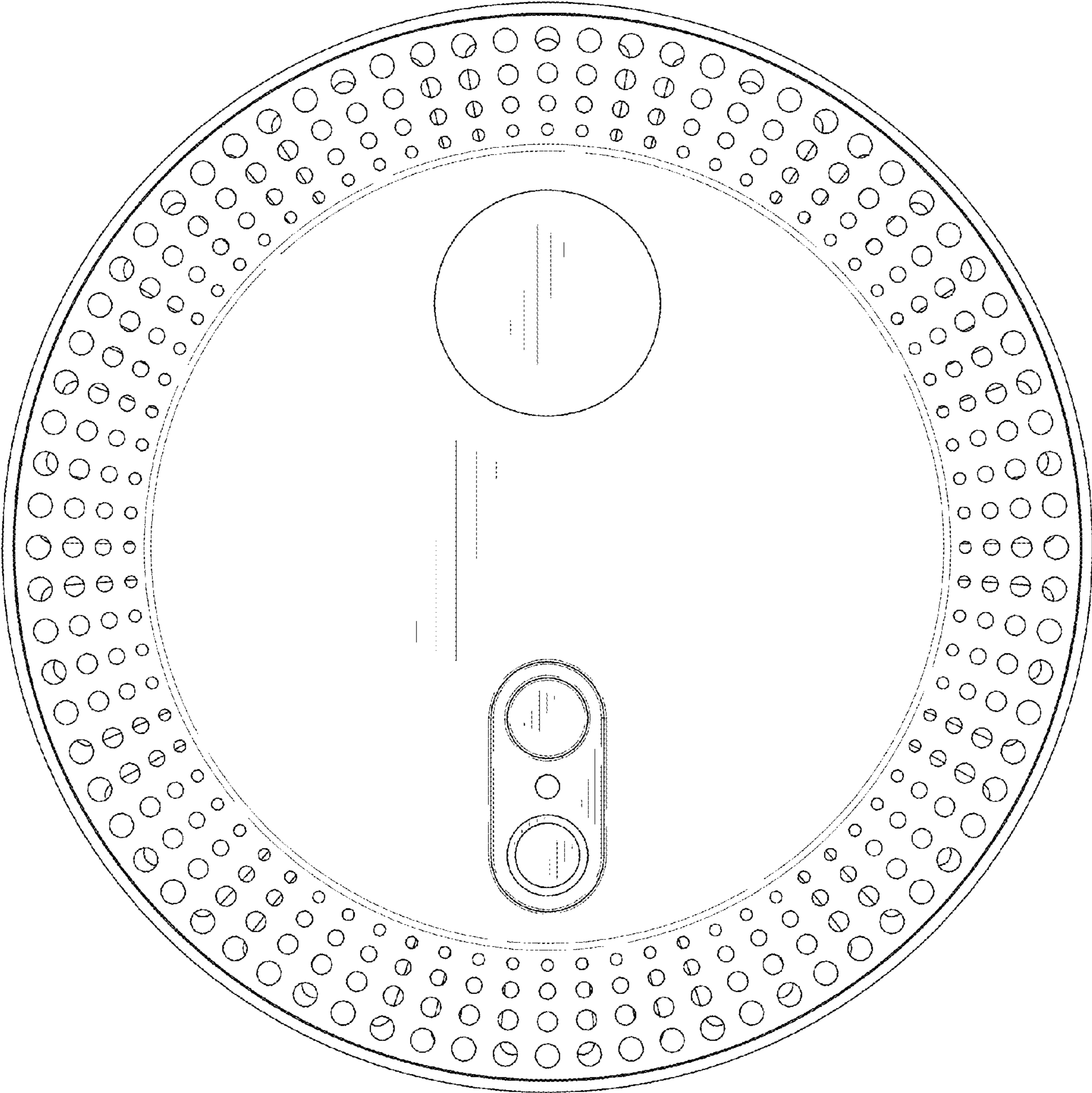


FIG. 3

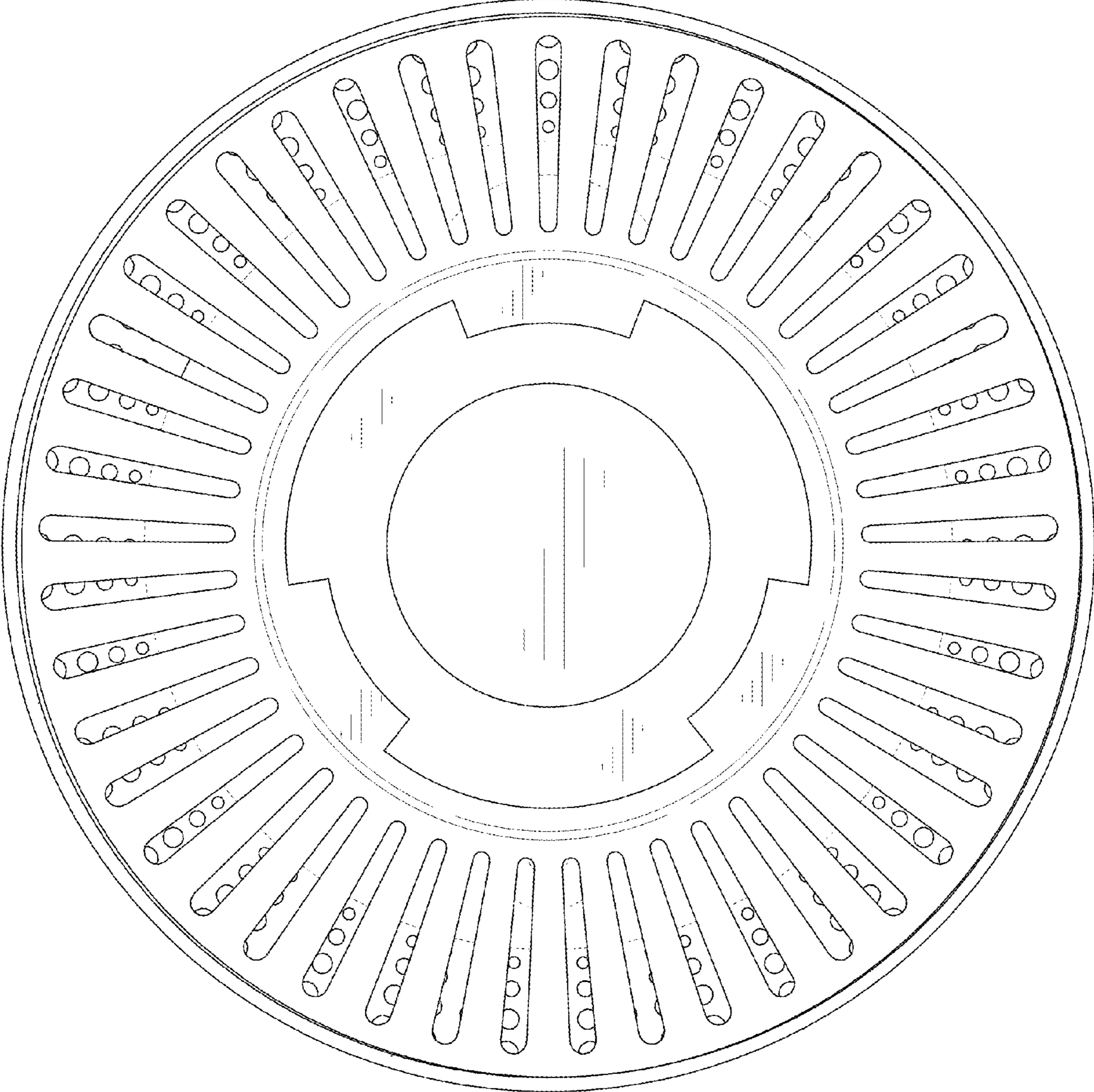


FIG. 4

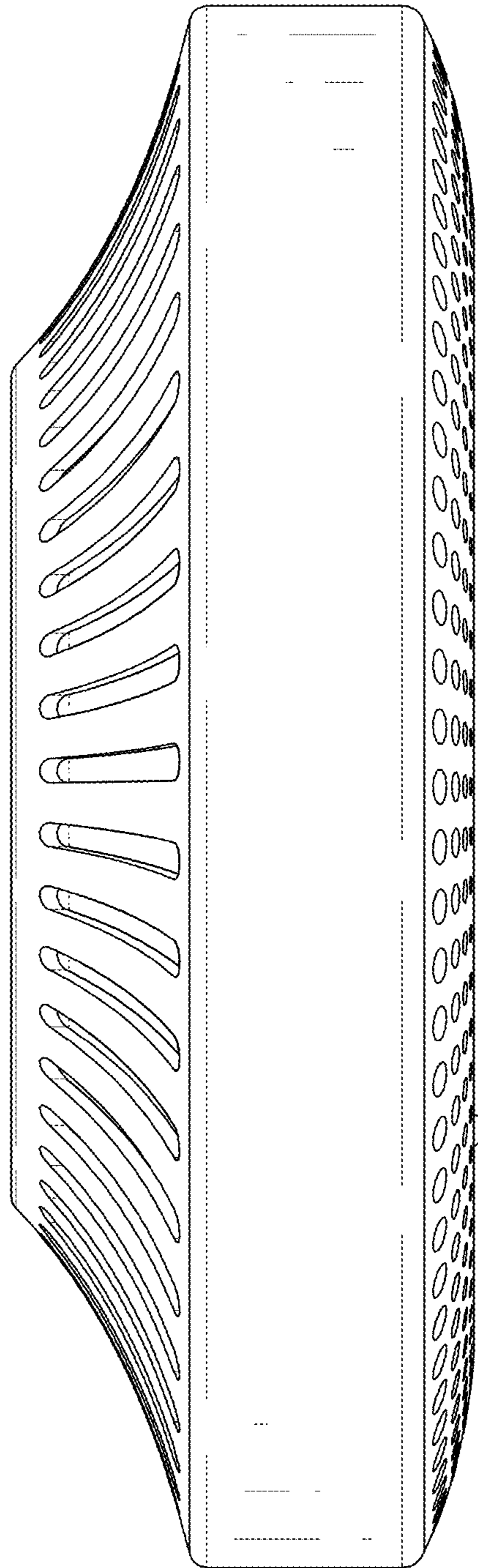


FIG. 5

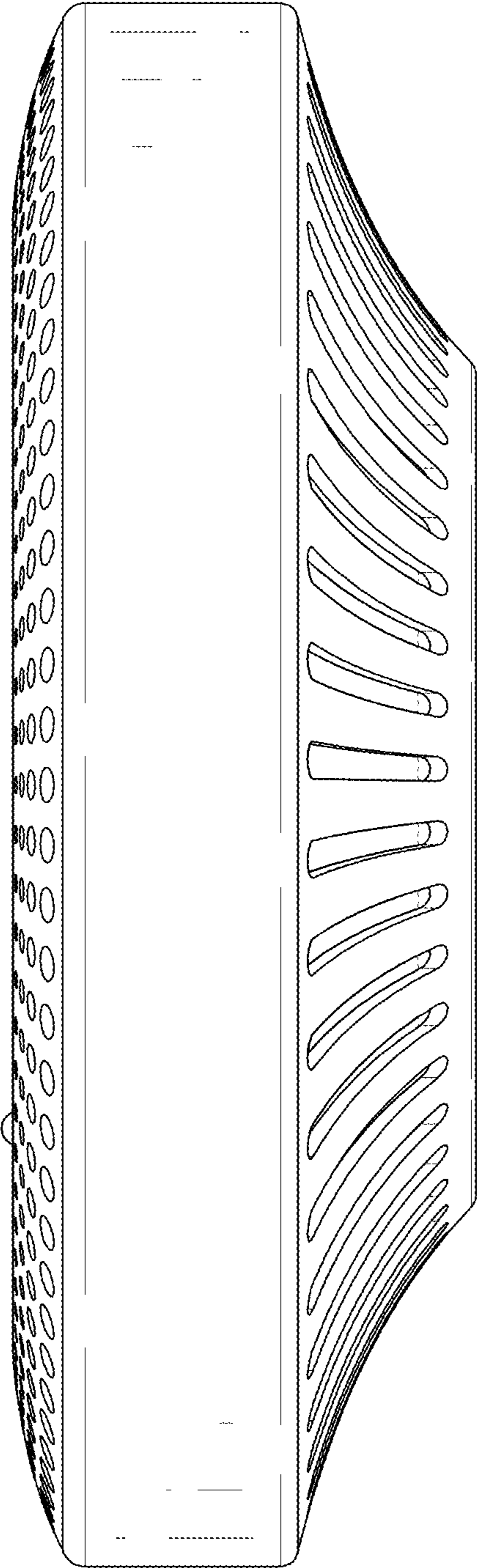


FIG. 6

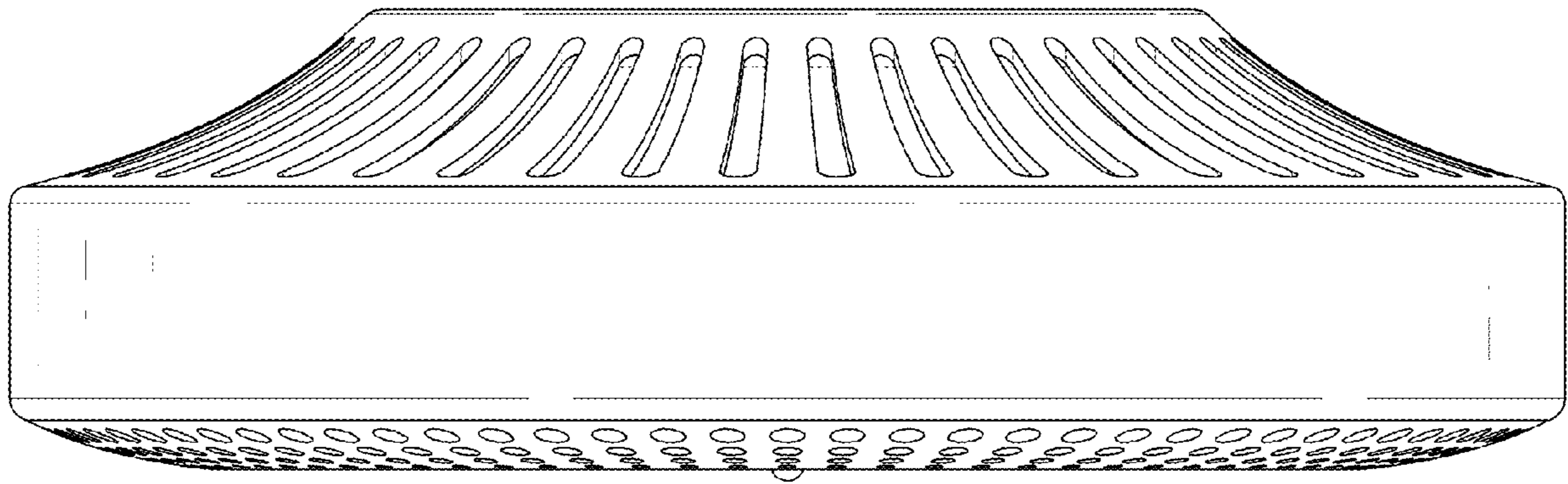


FIG. 7



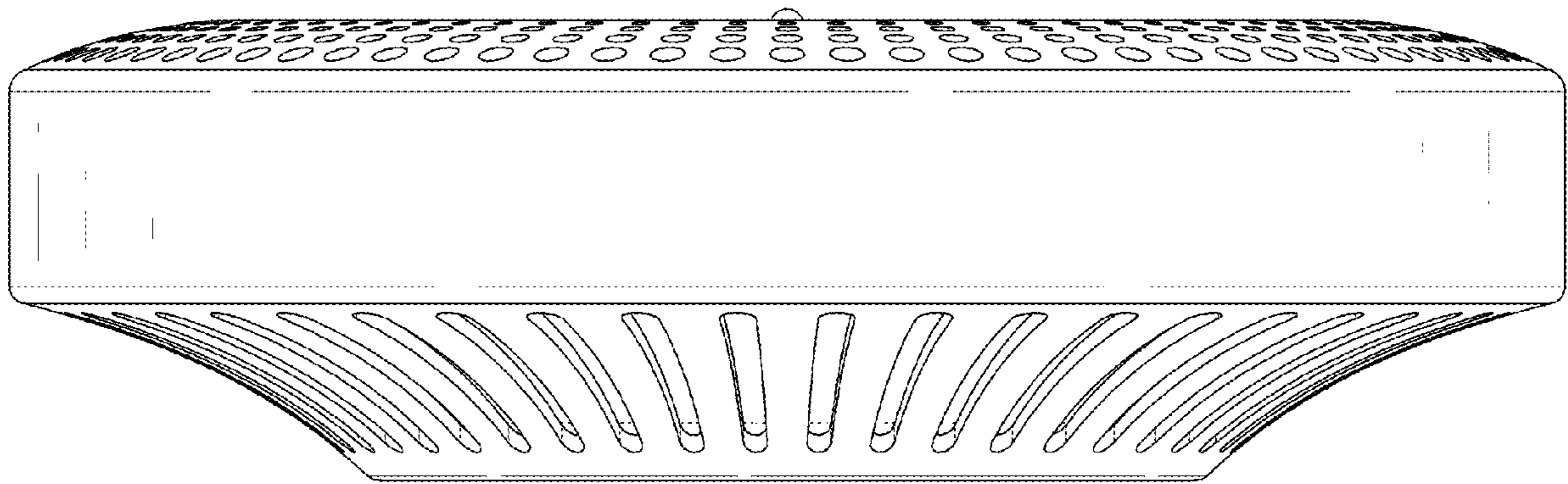


FIG. 8

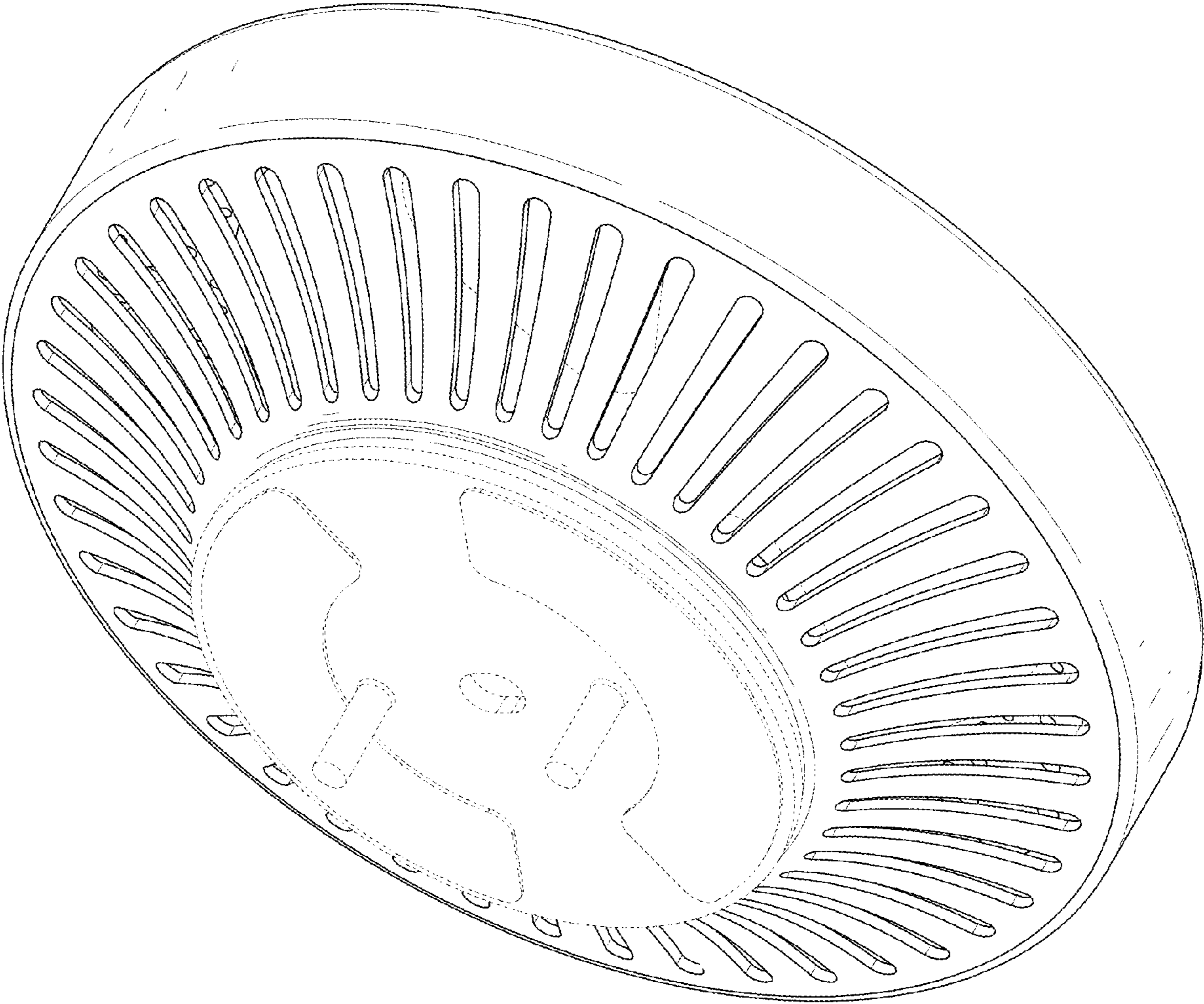


FIG. 9

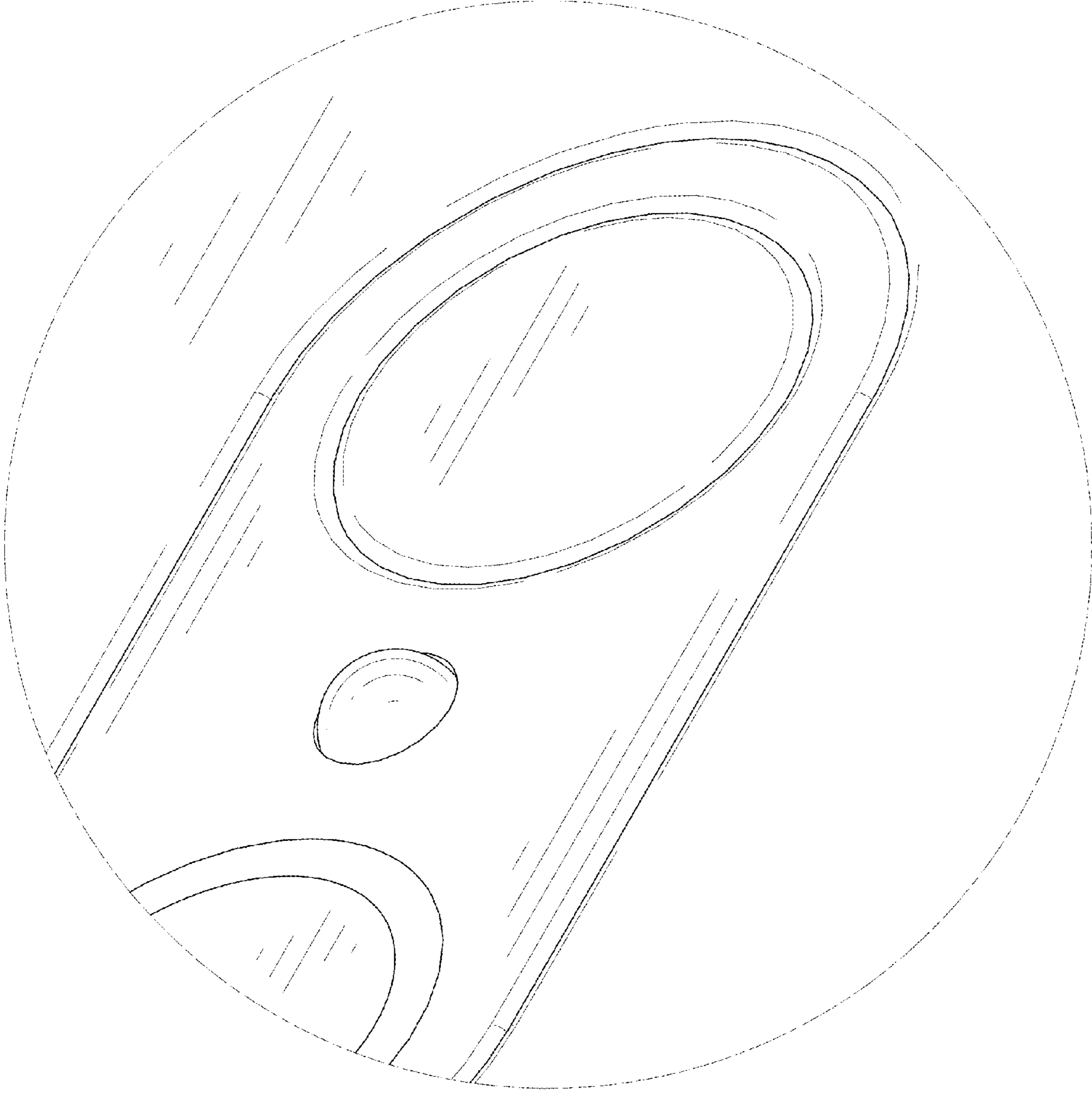


FIG. 10