



US00D975563S

(12) **United States Design Patent**
Breitsprecher et al.

(10) **Patent No.:** **US D975,563 S**
(45) **Date of Patent:** **** Jan. 17, 2023**

(54) **VOLTAGE INDICATOR WITH TEST POINTS**

(71) Applicant: **Grace Technologies, Inc.**, Davenport, IA (US)
(72) Inventors: **Brook Ann Breitsprecher**, Moline, IL (US); **Bryan Van Itallie**, Davenport, IA (US); **Aaron Tuttle**, McCausland, IA (US)
(73) Assignee: **GRACE TECHNOLOGIES, INC.**, Davenport, IA (US)
(**) Term: **15 Years**

(21) Appl. No.: **29/780,030**
(22) Filed: **Apr. 22, 2021**
(51) **LOC (14) Cl.** **10-04**
(52) **U.S. Cl.**
USPC **D10/80**
(58) **Field of Classification Search**
USPC D10/78, 80
CPC .. G01R 19/155; G01R 19/16538; G01R 1/02; G01R 1/025; G01R 1/06788; G01R 1/04; G01R 1/0408; G01R 1/0416; G01R 1/0425; G01R 1/0433; G01R 1/0441; G01R 1/045; G01R 1/0458; G01R 1/0466; G01R 1/0475; G01R 1/0483; G01R 1/0491; G01R 1/06777; G01R 15/16; G01R 19/14; G01R 19/169; G01R 19/16528; G01R 19/16561; G01R 15/165; G01R 19/145; G01R 19/15; G01R 15/12; G01R 15/125; G08B 5/08; H05B 45/305
See application file for complete search history.

(56) **References Cited**

U.S. PATENT DOCUMENTS

6,703,938 B1 3/2004 Clarke
D565,981 S * 4/2008 Radecke D13/146
D571,681 S * 6/2008 Radecke D13/146

OTHER PUBLICATIONS

Diversified Electronics, UPA 130 Power Alert, <https://www.alliedelec.com/m/d/09fc39ff464516d02a903fb8955b00d5.pdf>, 2 pages, date: N/A.
GRACEPESD, Voltage Indicators, <https://www.graceport.com/pesds>, 4 pages, Date:N/A.

* cited by examiner

Primary Examiner — Antoine Duval Davis

(74) *Attorney, Agent, or Firm* — Goodhue, Coleman & Owens, P.C.

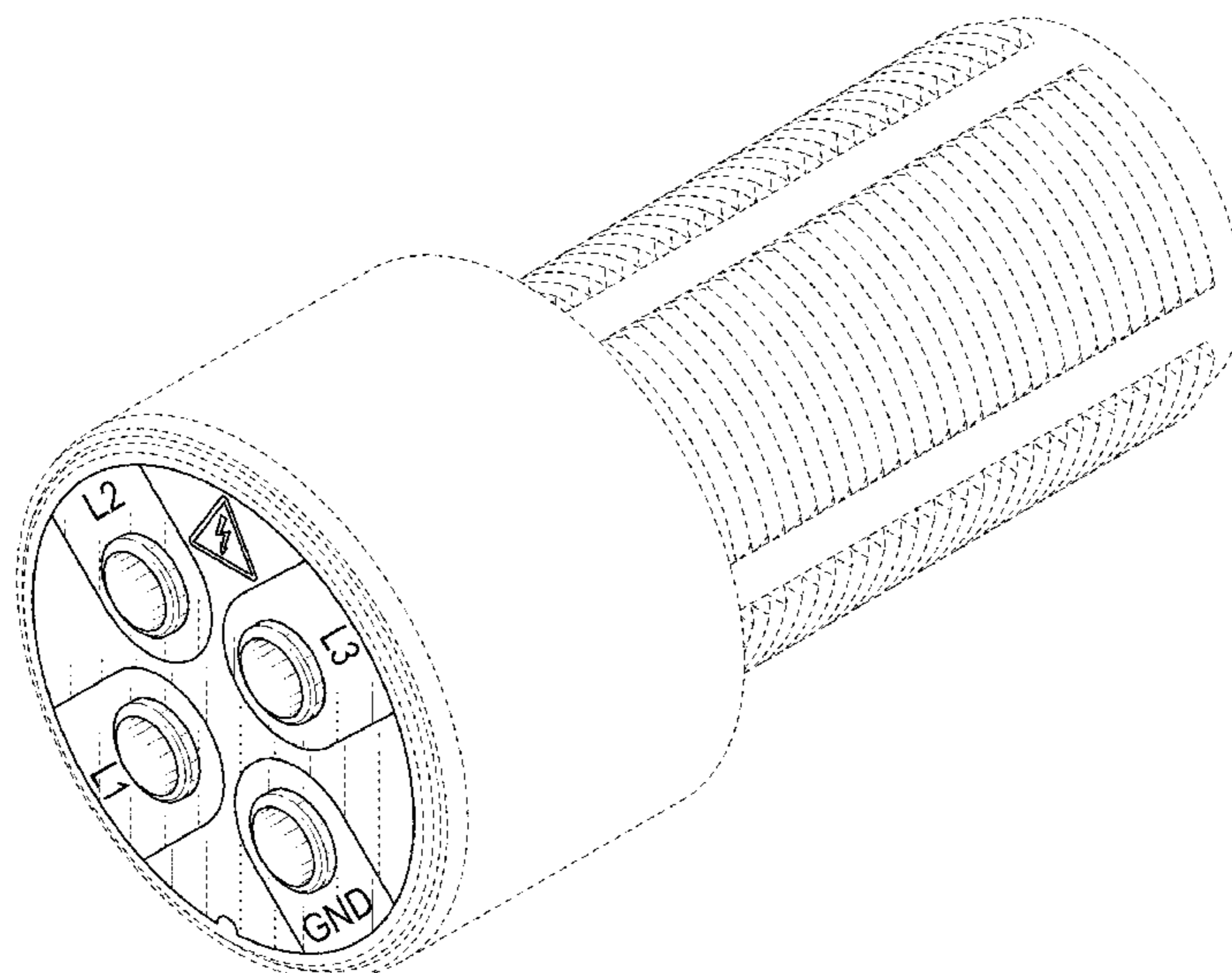
(57) **CLAIM**

The ornamental design for a voltage indicator with test points, as shown and described.

DESCRIPTION

FIG. 1 is an isometric view of a voltage indicator with test points;
FIG. 2 is a front view of the voltage indicator with test points thereof;
FIG. 3 is a rear view of the voltage indicator with test points thereof;
FIG. 4 is a side view of the voltage indicator with test points thereof;
FIG. 5 is an isometric view of another voltage indicator with test points thereof;
FIG. 6 is a front view of the voltage indicator with test points thereof;
FIG. 7 is a rear view of the voltage indicator with test points thereof; and,
FIG. 8 is a side view of the voltage indicator with test points thereof.
The details shown in broken lines are for illustrative purposes only and form no part of the claimed design.

1 Claim, 6 Drawing Sheets



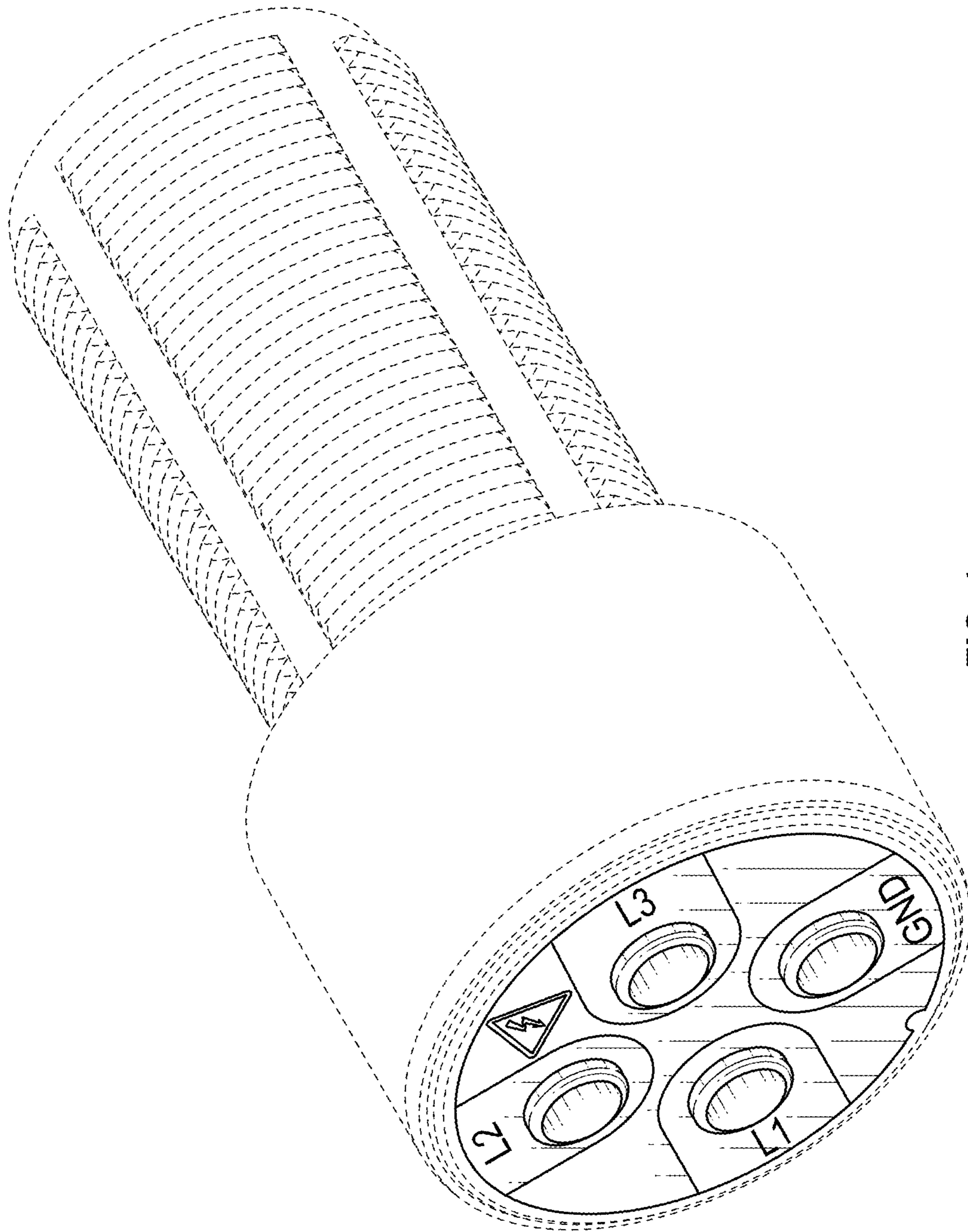


FIG. 1

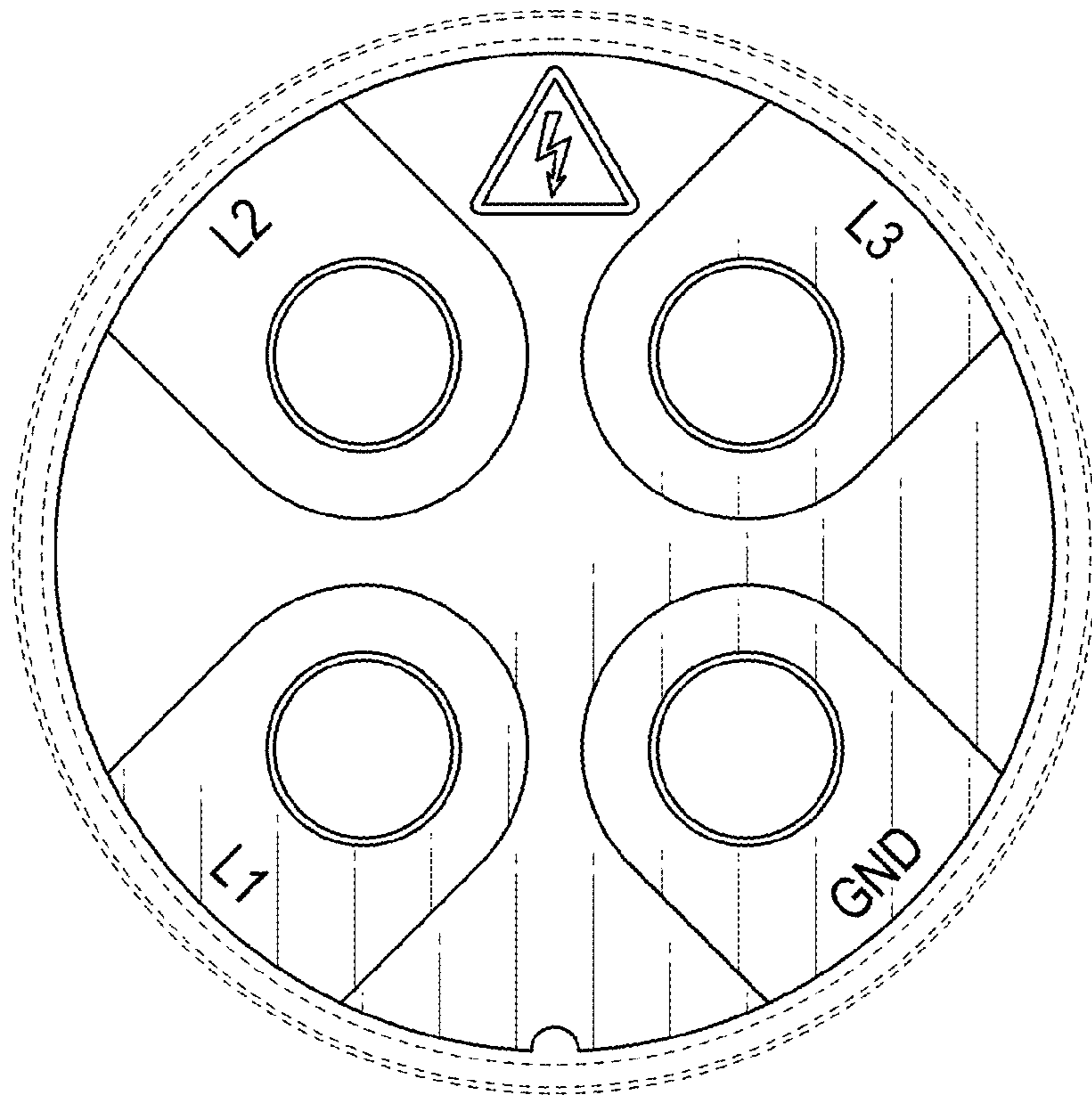


FIG. 2

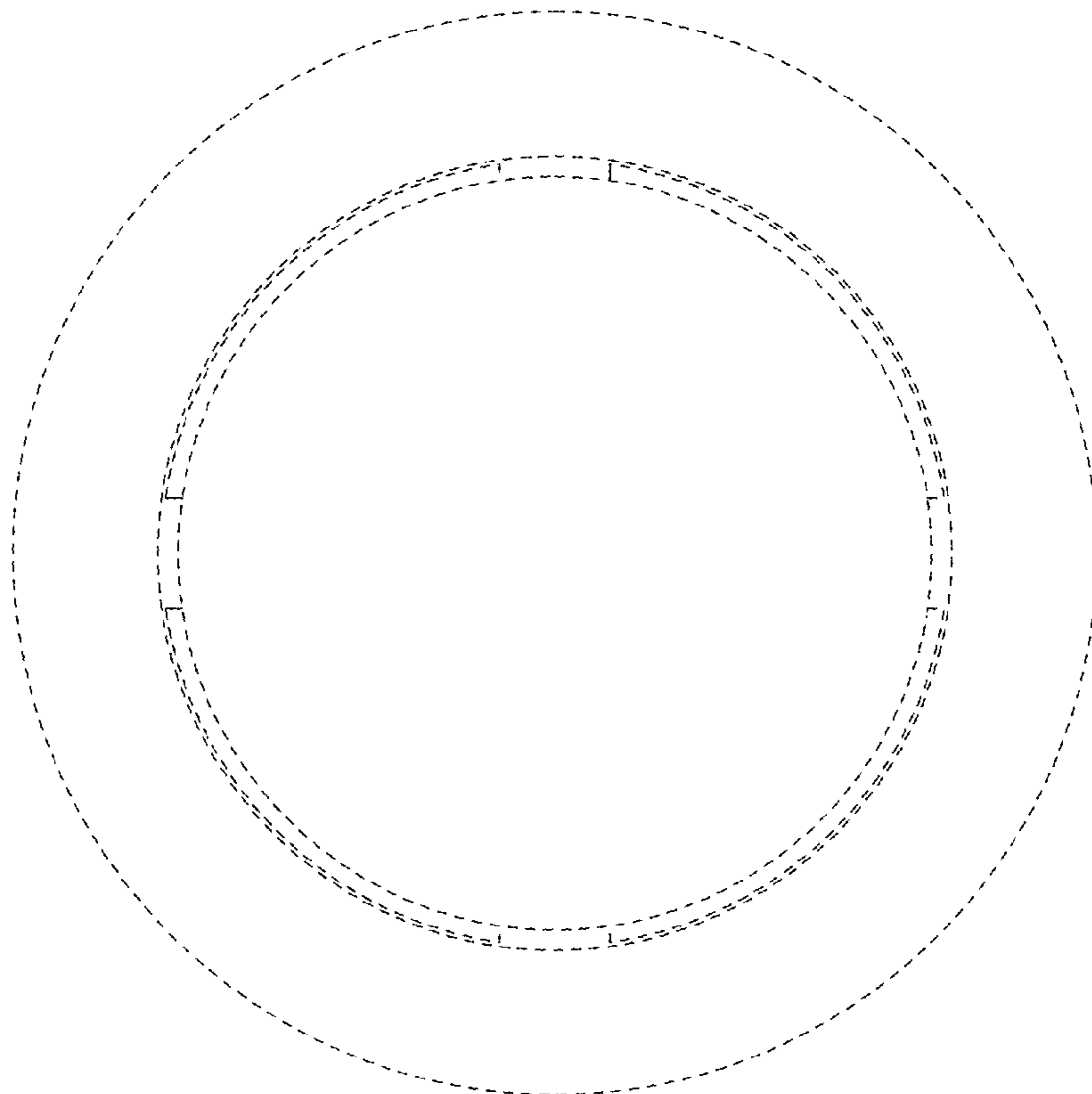


FIG. 3

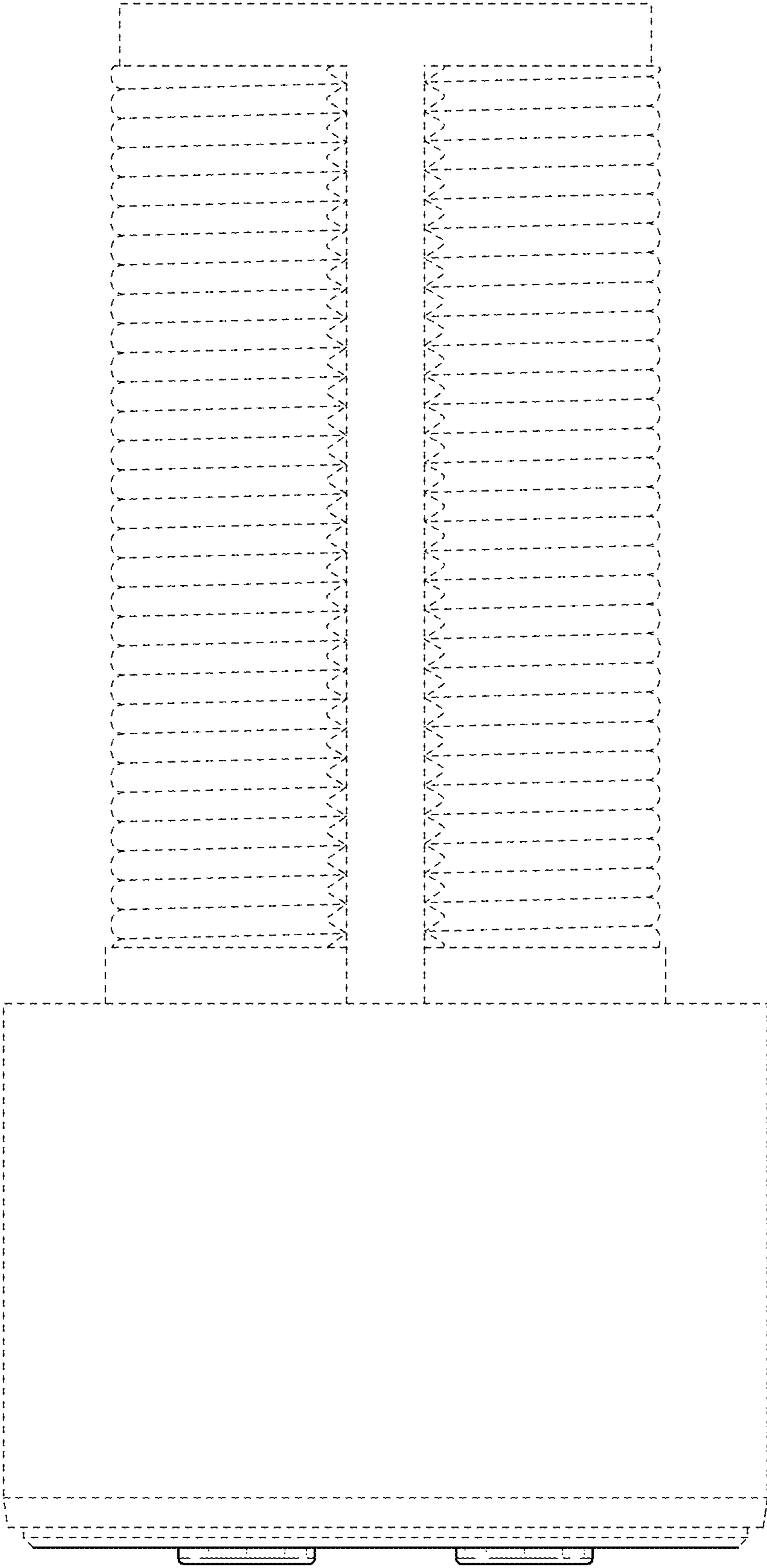


FIG. 4

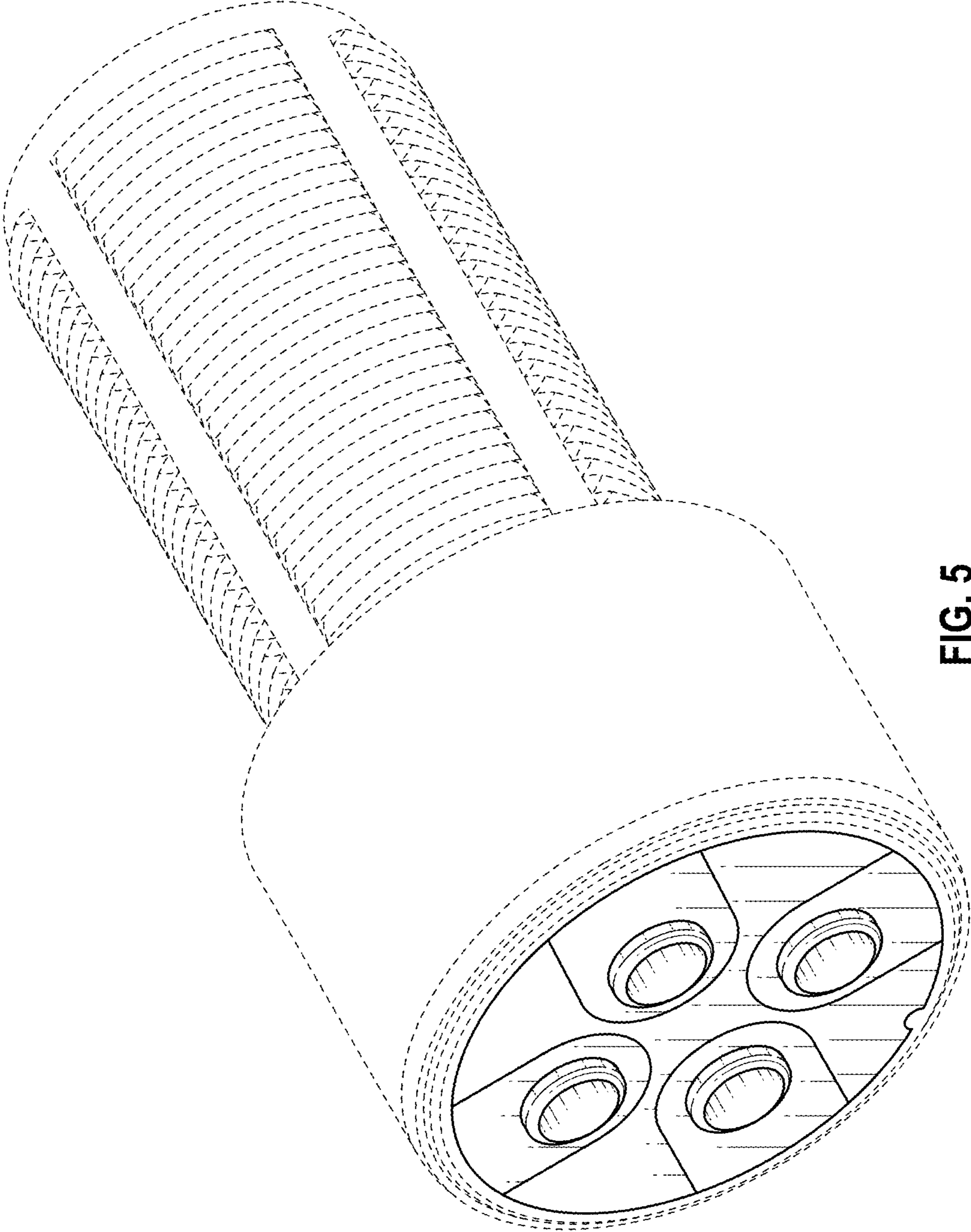


FIG. 5

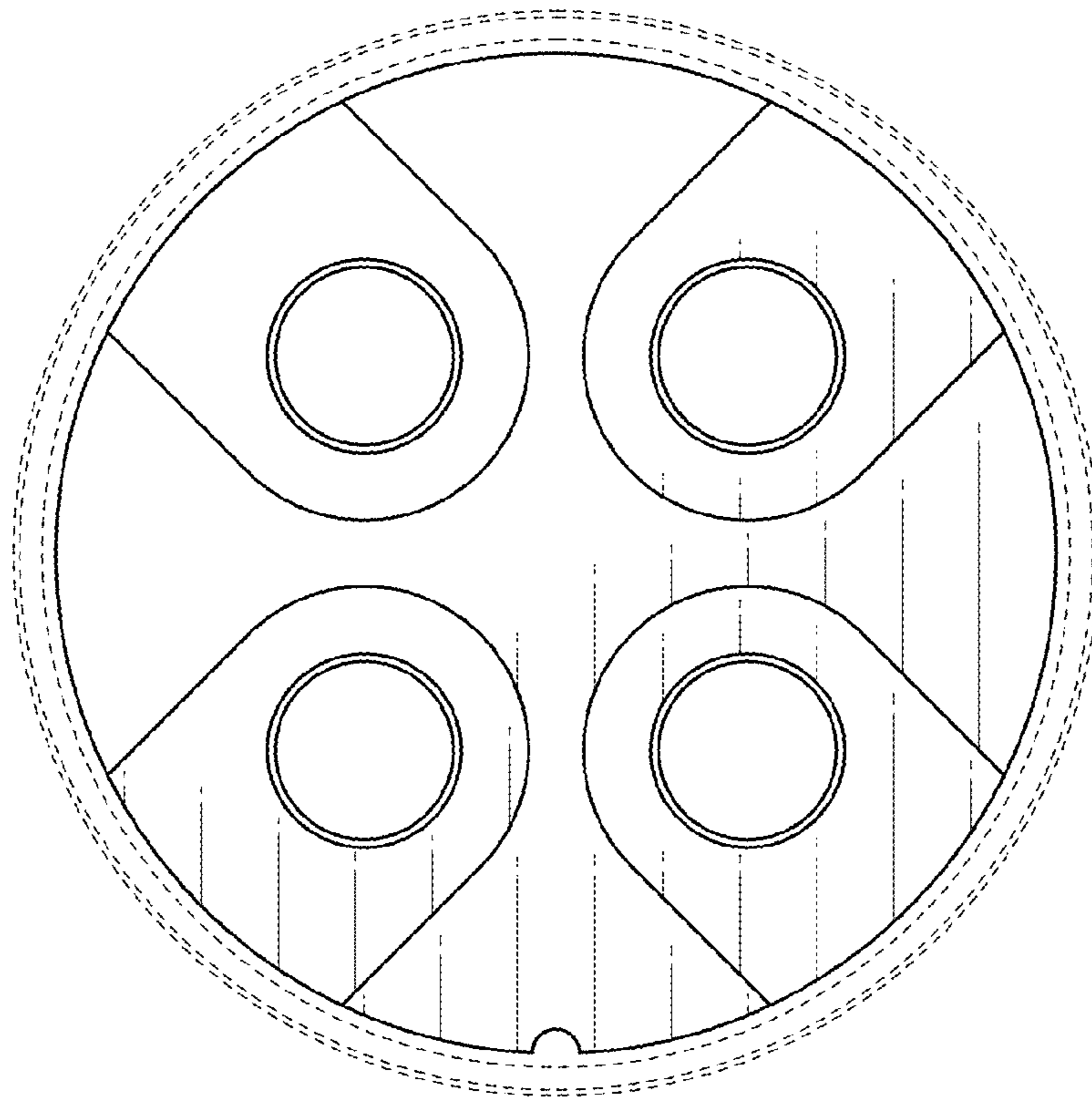


FIG. 6

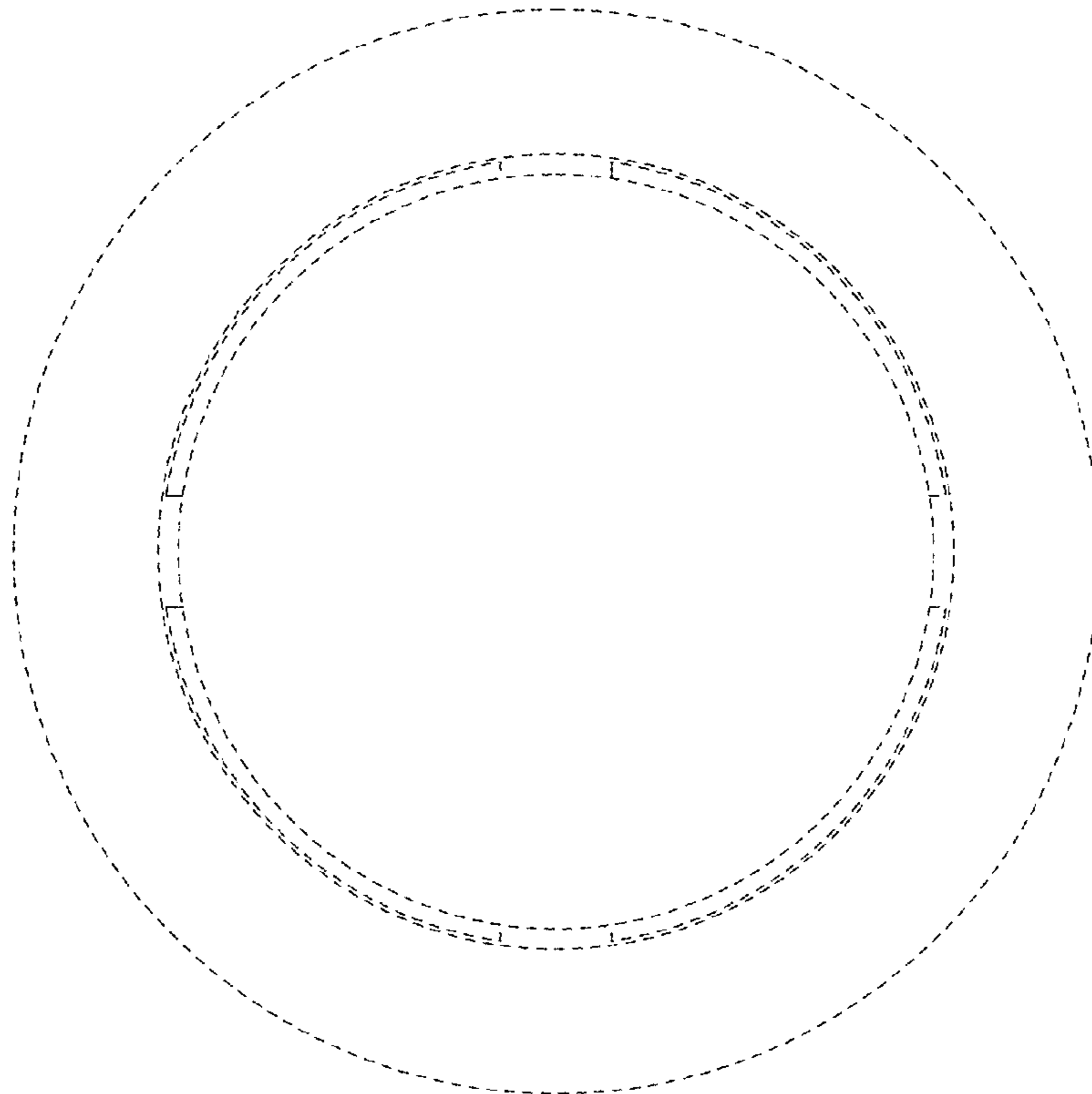


FIG. 7

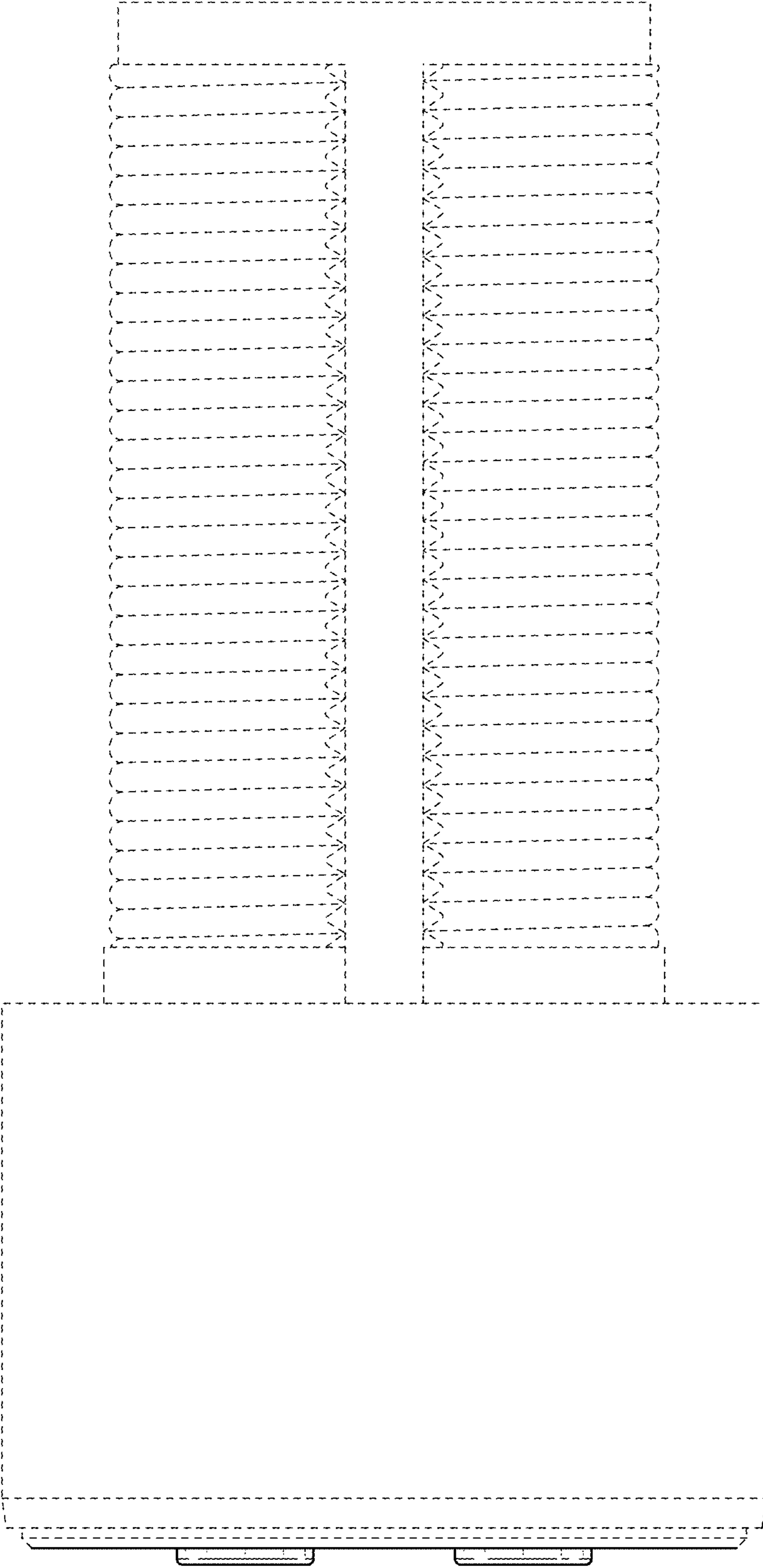


FIG. 8