



US00D975562S

(12) **United States Design Patent**
Duncan et al.

(10) **Patent No.:** **US D975,562 S**
(45) **Date of Patent:** **** Jan. 17, 2023**

(54) **HANDHELD METER**

(71) Applicant: **Hach Company**, Loveland, CO (US)

(72) Inventors: **James Delbert Duncan**, Loveland, CO (US); **Michael Jonathan Tschampl**, Windsor, CO (US); **Kristianne Johnson-Smith**, Windsor, CO (US); **Espen Haakon Karlsen**, Fort Collins, CO (US); **Brian Alan Harmon**, Loveland, CO (US); **Brian J. Dreiling**, Windsor, CO (US); **Robert Allen Luther**, Fort Collins, CO (US)

(73) Assignee: **HACH COMPANY**, Loveland, CO (US)

(**) Term: **15 Years**

(21) Appl. No.: **29/755,064**

(22) Filed: **Oct. 16, 2020**

(51) **LOC (14) Cl.** **10-04**

(52) **U.S. Cl.**
USPC **D10/78**

(58) **Field of Classification Search**
USPC D10/78, 103, 102, 70, 47; D14/203.7, D14/186

(Continued)

(56) **References Cited**

U.S. PATENT DOCUMENTS

D332,227 S * 1/1993 Kaneko D10/78
5,243,275 A * 9/1993 Nakazawa G01R 15/08
D10/78

(Continued)

OTHER PUBLICATIONS

HQ Series—Hach, YouTube, publication date Feb. 26, 2021, (online)
URL: <https://www.youtube.com/watch?v=l-Jf7qlbKKo> (Year: 2021).*

Primary Examiner — George D. Kirschbaum

Assistant Examiner — Antoinette Martine Suiter

(74) *Attorney, Agent, or Firm* — FERENCE & ASSOCIATES LLC

(57) **CLAIM**

The ornamental design for a handheld meter, as shown and described.

DESCRIPTION

FIG. 1 is an exploded perspective view of the ornamental design for a handheld meter, shown with the main body of the meter and the battery compartment portion separated. FIG. 2 is a front view of the handheld meter, shown in a fully assembled state.

FIG. 3 is a back (or rear) view of the handheld meter, shown in a fully assembled state.

FIG. 4 is a left side view of the handheld meter, shown in a fully assembled state.

FIG. 5 is a right side view of the handheld meter, shown in a fully assembled state.

FIG. 6 is a top view of the handheld meter, shown in a fully assembled state.

FIG. 7 is a bottom view of the handheld meter, shown in a fully assembled state.

FIG. 8 is a front view of the battery compartment portion of the handheld meter, shown in isolation for clarity of disclosure.

FIG. 9 is a back (or rear) view of the battery compartment portion of the handheld meter, shown in isolation for clarity of disclosure.

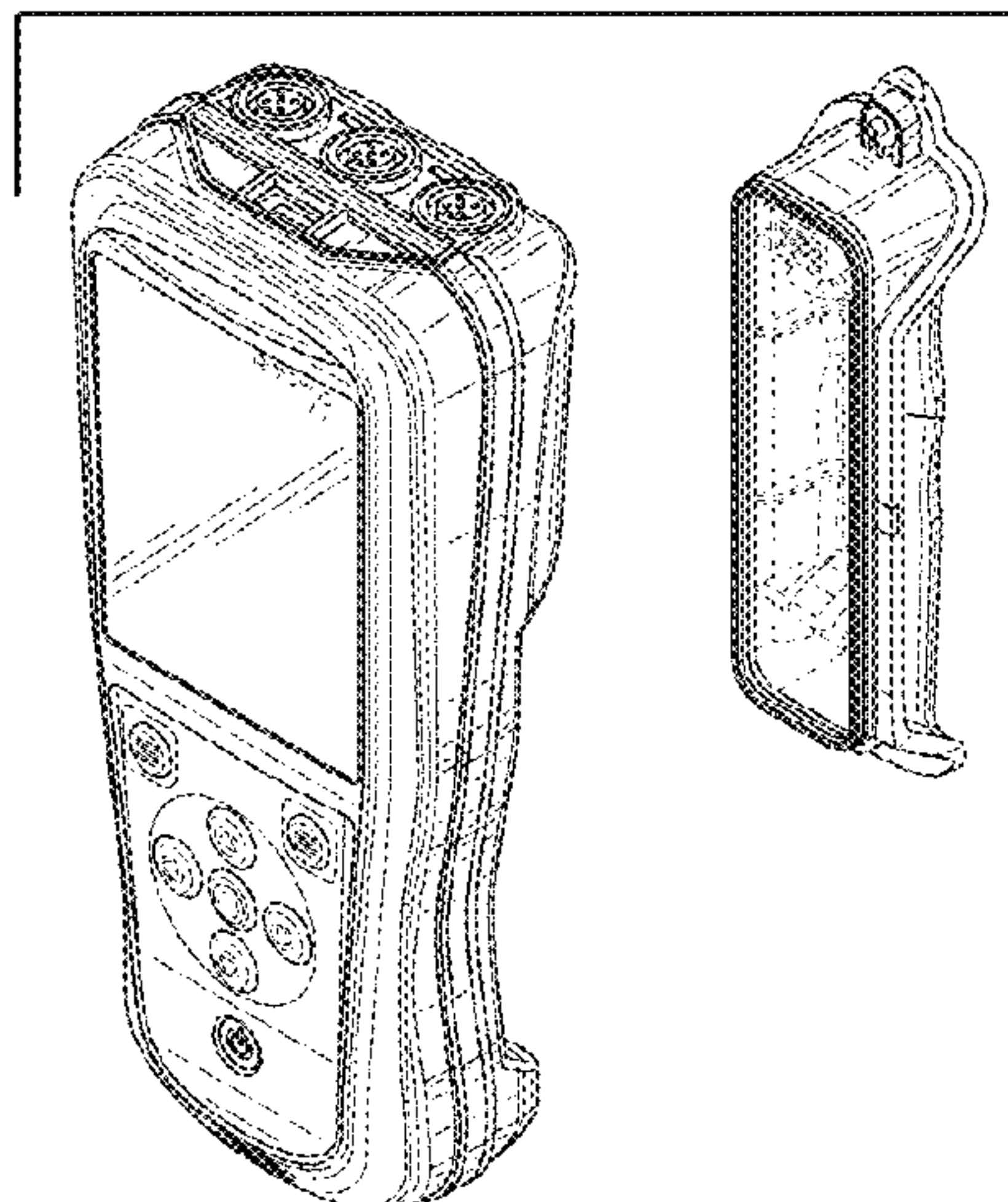
FIG. 10 is a left side view of the battery compartment portion of the handheld meter, shown in isolation for clarity of disclosure.

FIG. 11 is a right side view of the battery compartment portion of the handheld meter, shown in isolation for clarity of disclosure.

FIG. 12 is a top view of the battery compartment portion of the handheld meter, shown in isolation for clarity of disclosure; and,

FIG. 13 is a bottom view of the battery compartment portion of the handheld meter, shown in isolation for clarity of disclosure.

(Continued)



The portion of the handheld meter shown in broken lines forms no part of the claimed design.

1 Claim, 13 Drawing Sheets

(58) Field of Classification Search

CPC G01R 15/125; G01R 1/04; G01R 15/002;
G01R 1/0675; G01R 1/06788; H04W
88/05; G01S 3/7865; G08B 21/182

See application file for complete search history.

(56) References Cited

U.S. PATENT DOCUMENTS

D510,533	S	*	10/2005	Hoofnagle	D10/78
D519,045	S	*	4/2006	Wu	D10/70
D558,621	S	*	1/2008	Rich	D10/78
D621,731	S	*	8/2010	Goody	D10/70
D636,282	S	*	4/2011	Yin	D10/70
D698,673	S	*	2/2014	Igelmund	D10/78
D701,781	S	*	4/2014	Chen	D10/78
D710,227	S	*	8/2014	Igelmund	D10/102
D793,884	S	*	8/2017	Verity	D10/78
D799,349	S	*	10/2017	Mathier	D10/70
D807,212	S	*	1/2018	Chen	D10/78
D820,128	S	*	6/2018	Wong	D10/78
D834,432	S	*	11/2018	Wang	D10/78
D837,075	S	*	1/2019	Lu	D10/78
D842,147	S	*	3/2019	Xie	D10/78
D842,997	S	*	3/2019	Yanke	D24/186
D871,943	S	*	1/2020	Xie	D10/78
D881,046	S	*	4/2020	Shao	D10/70
D923,498	S	*	6/2021	Zhong	D10/78
D926,609	S	*	8/2021	Xie	D10/78
D931,127	S	*	9/2021	Shao	D10/70

* cited by examiner

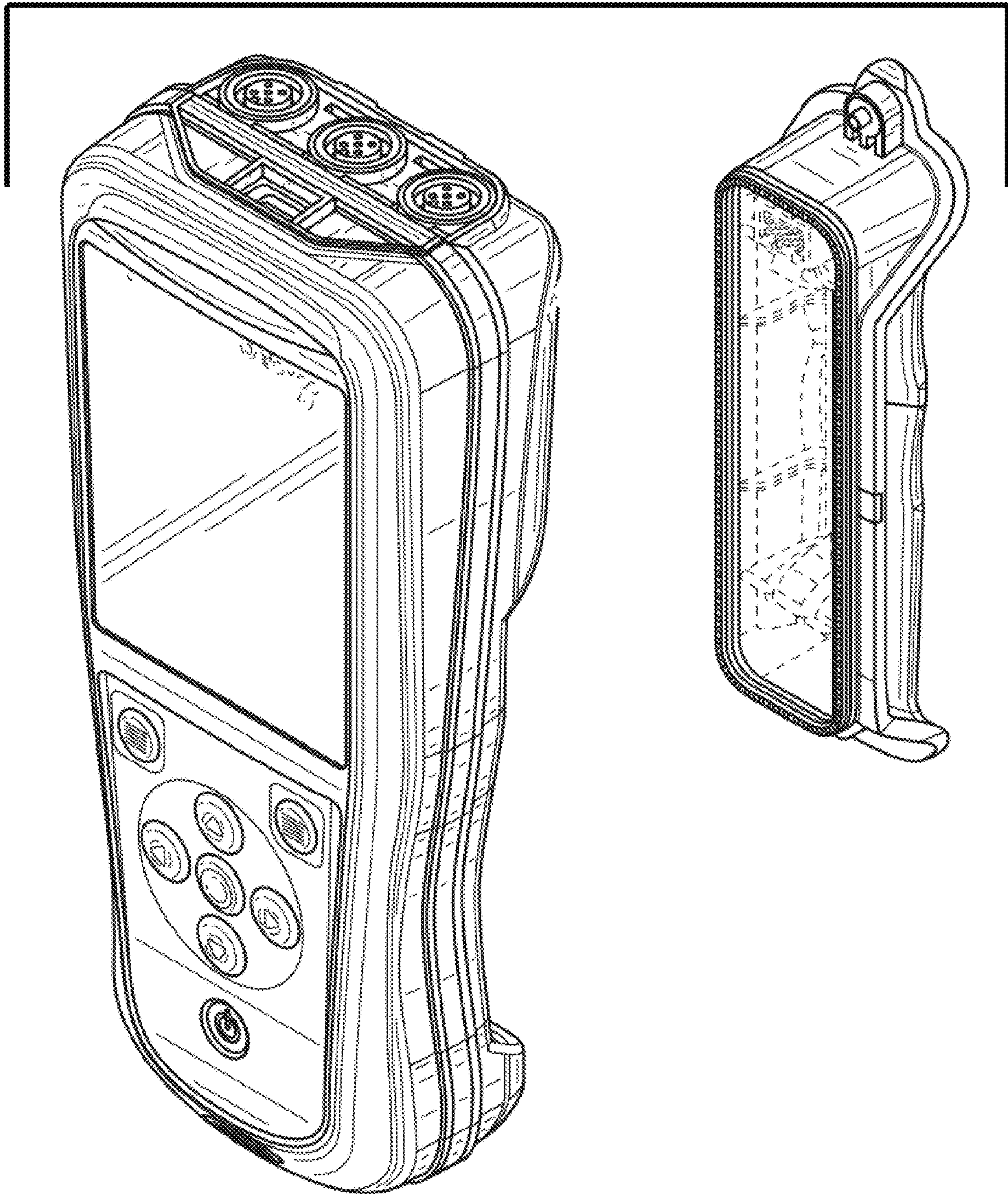


FIG. 1

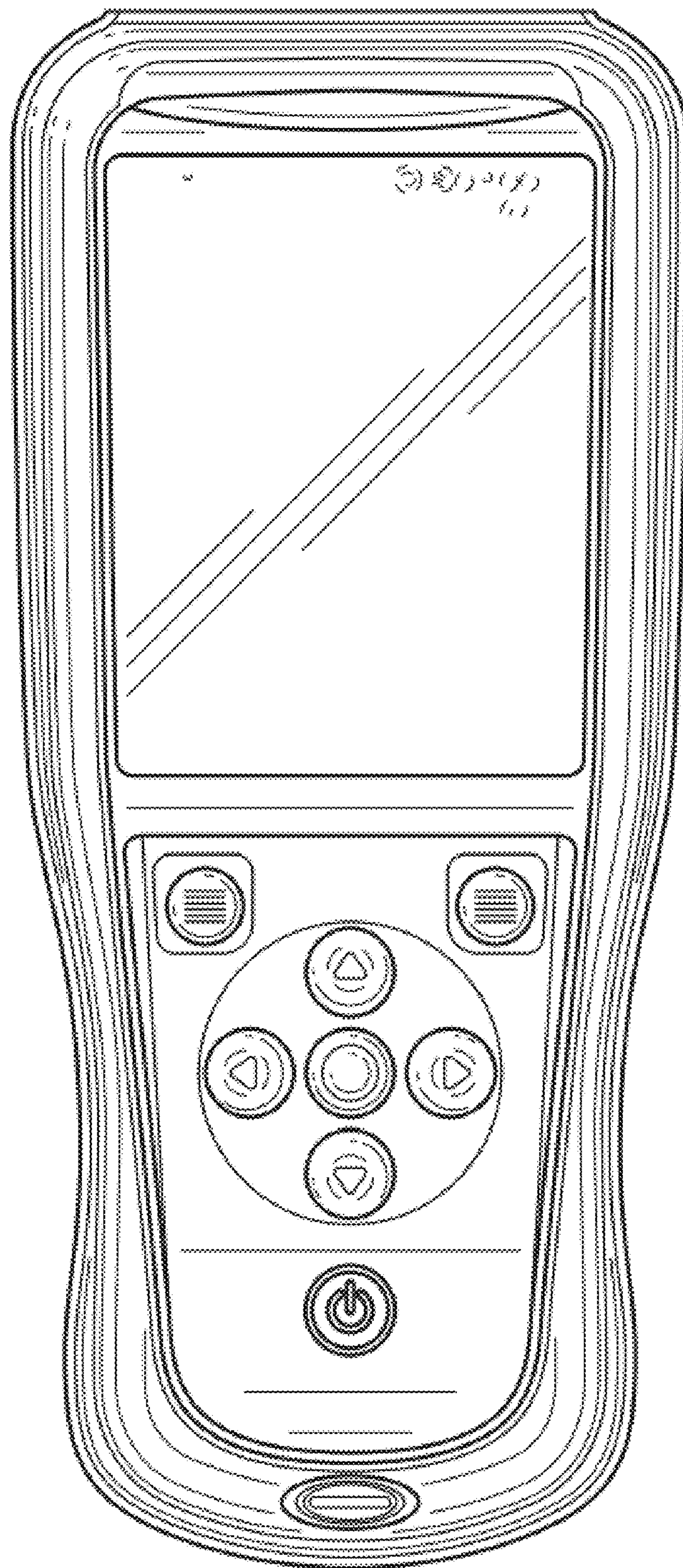


FIG. 2

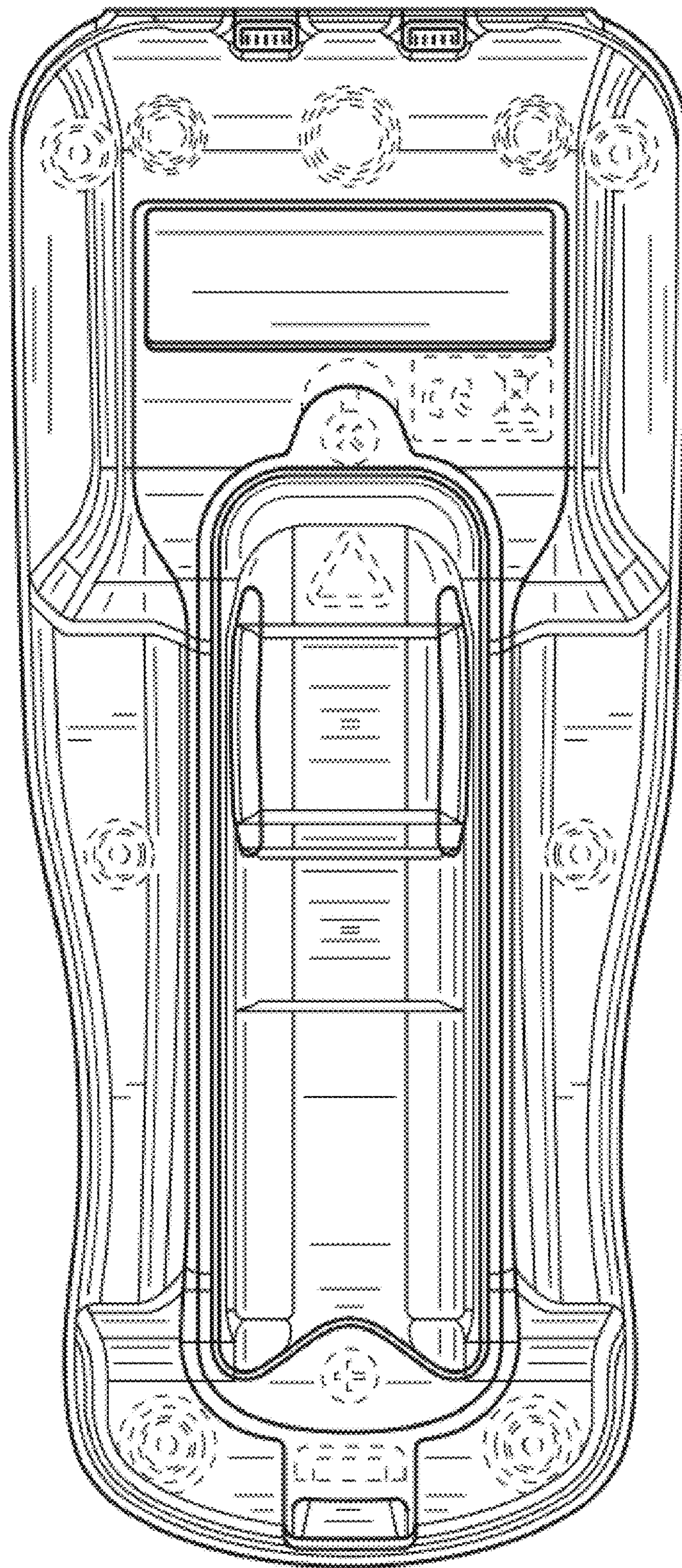


FIG. 3

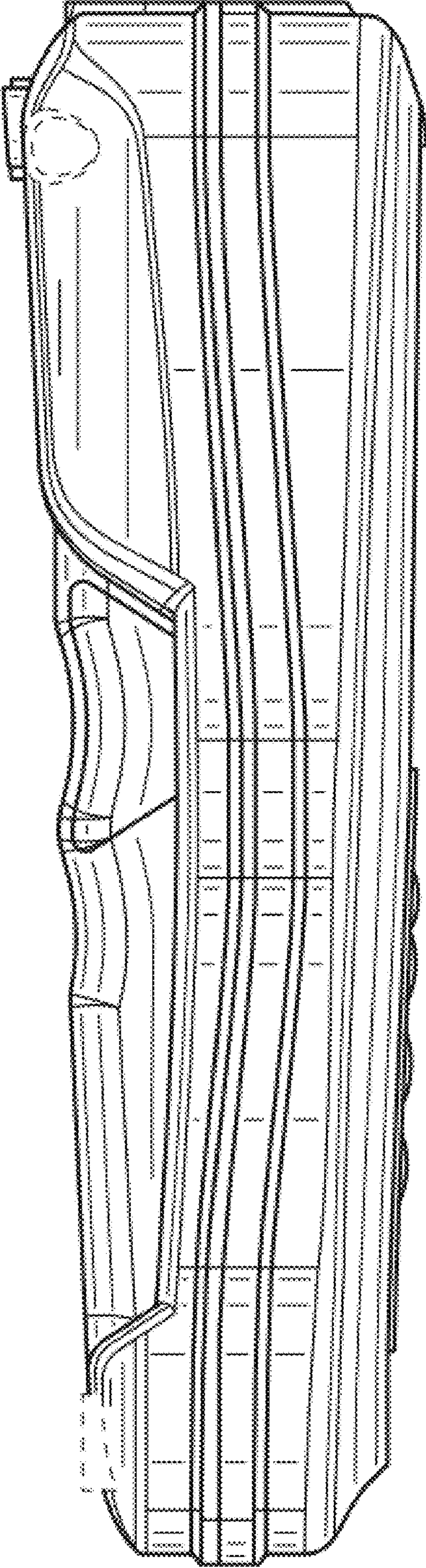


FIG. 4

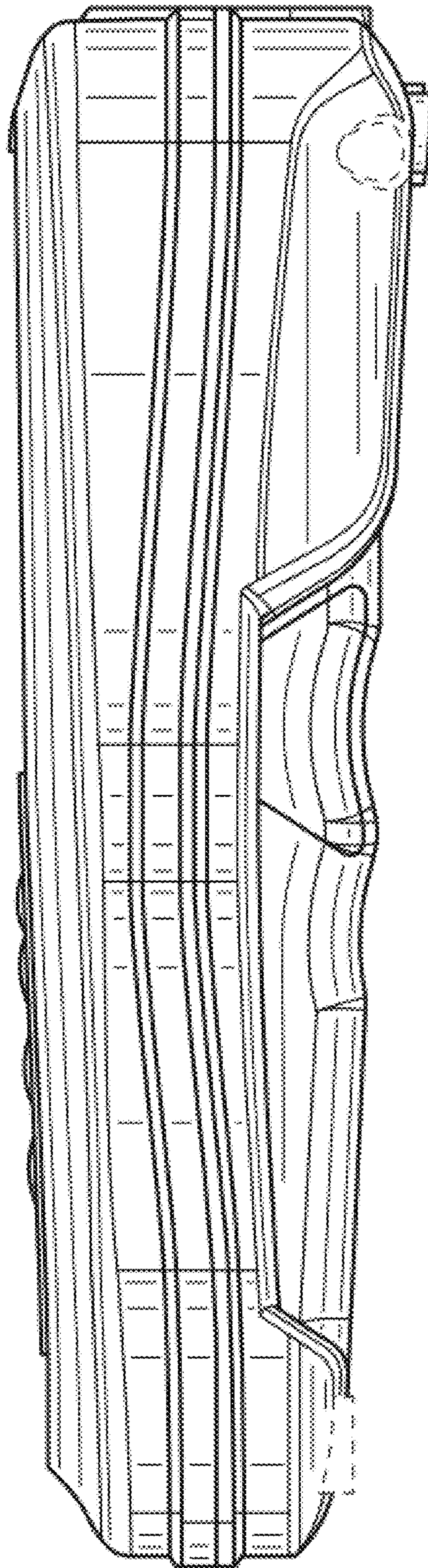


FIG. 5

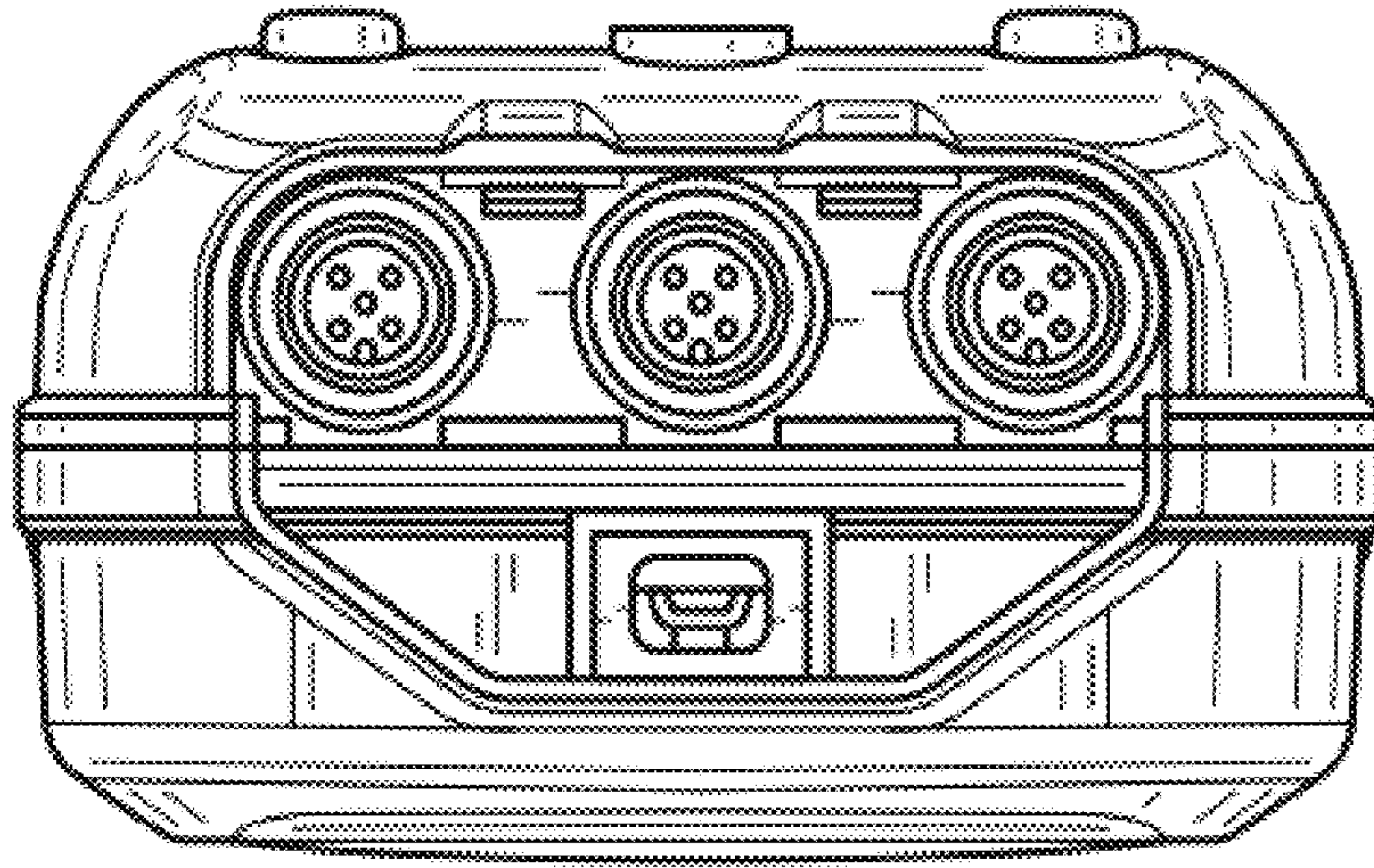


FIG. 6

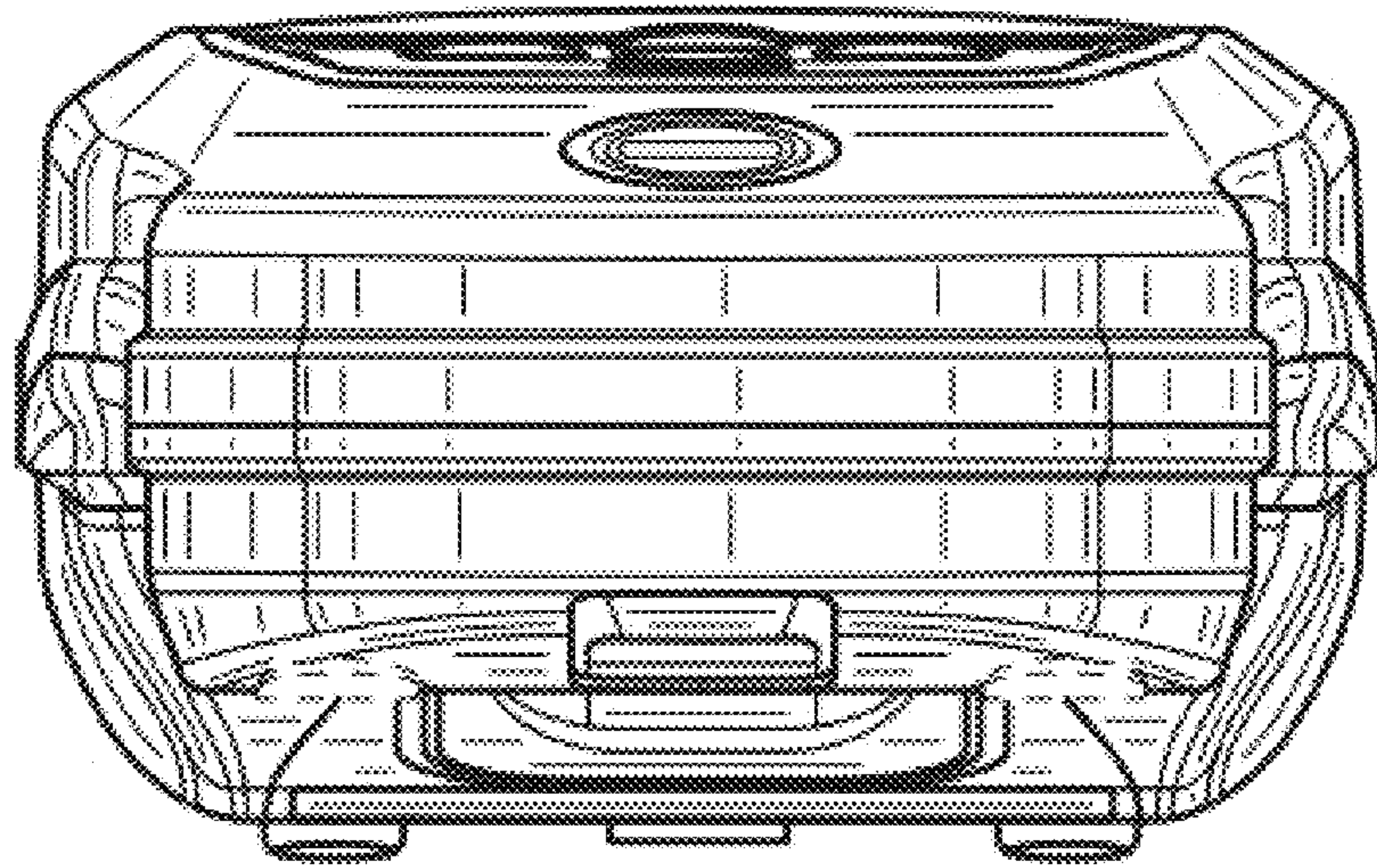


FIG. 7

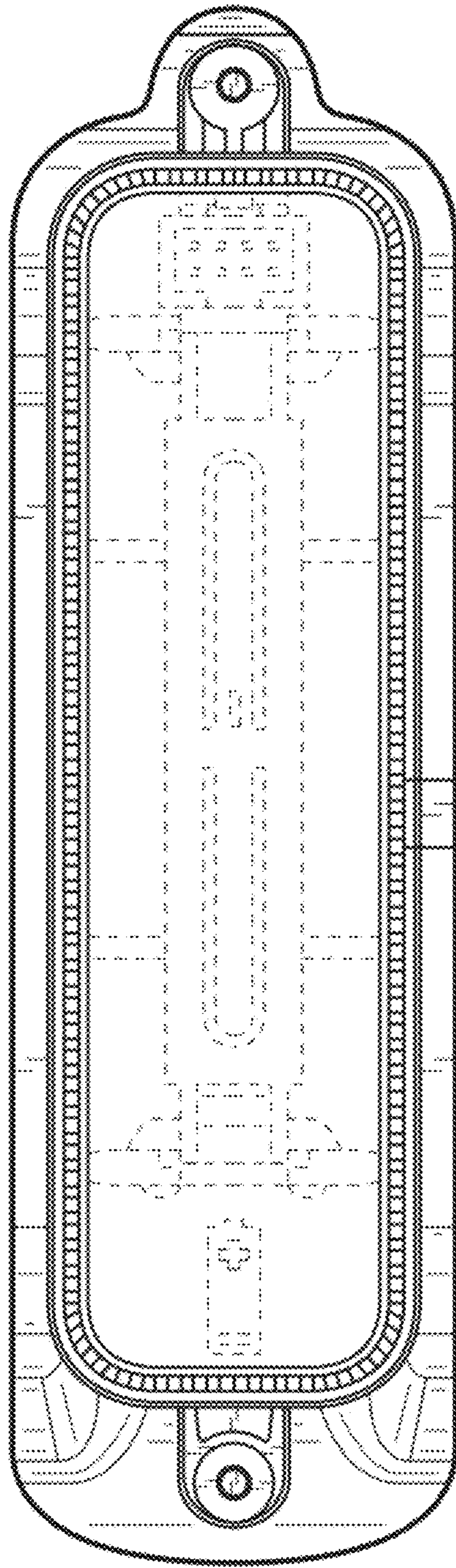


FIG. 8

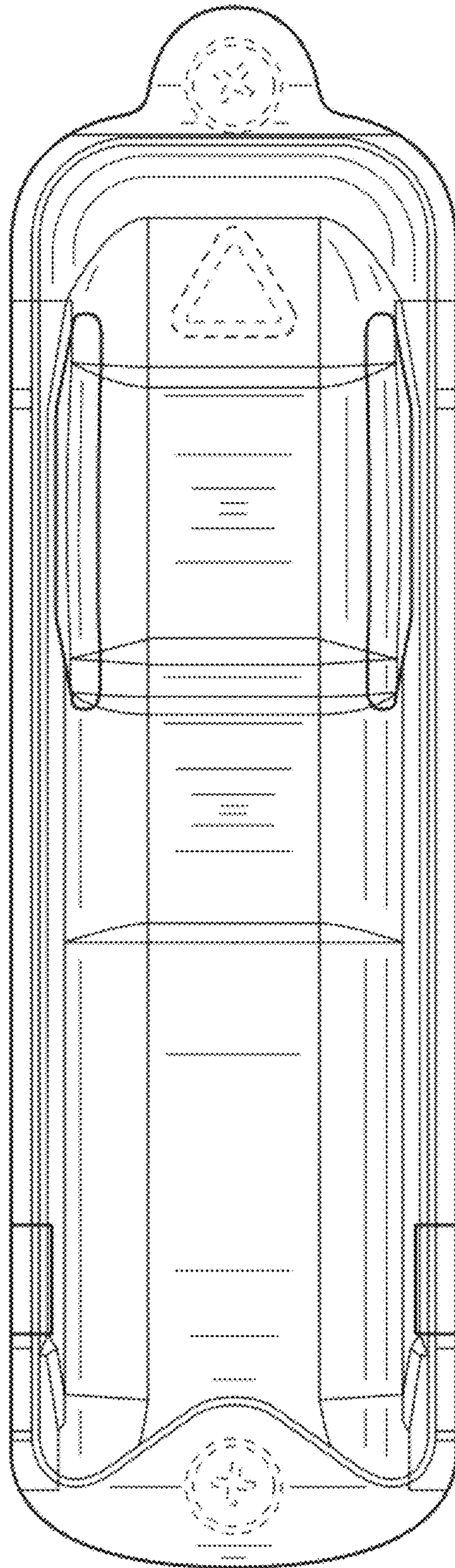


FIG. 9

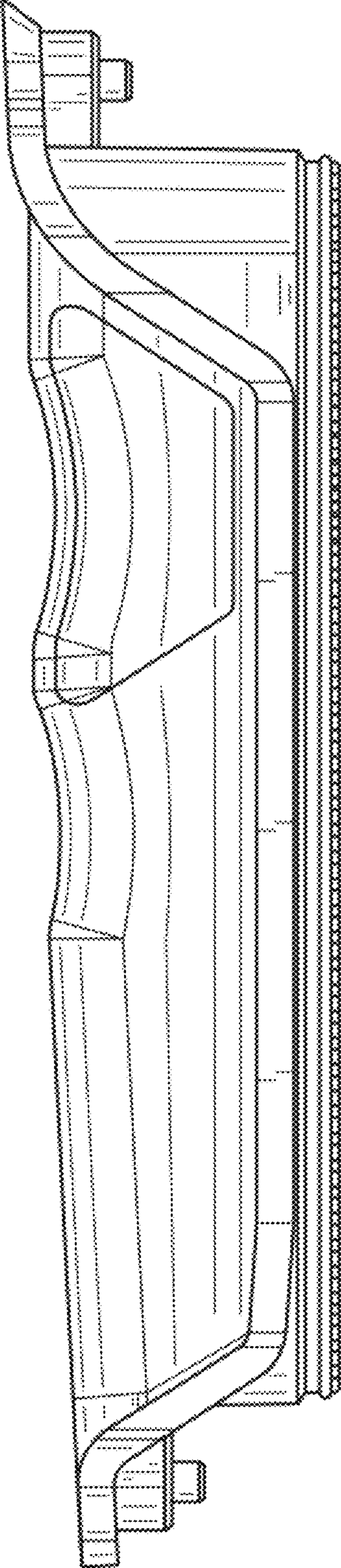


FIG. 10

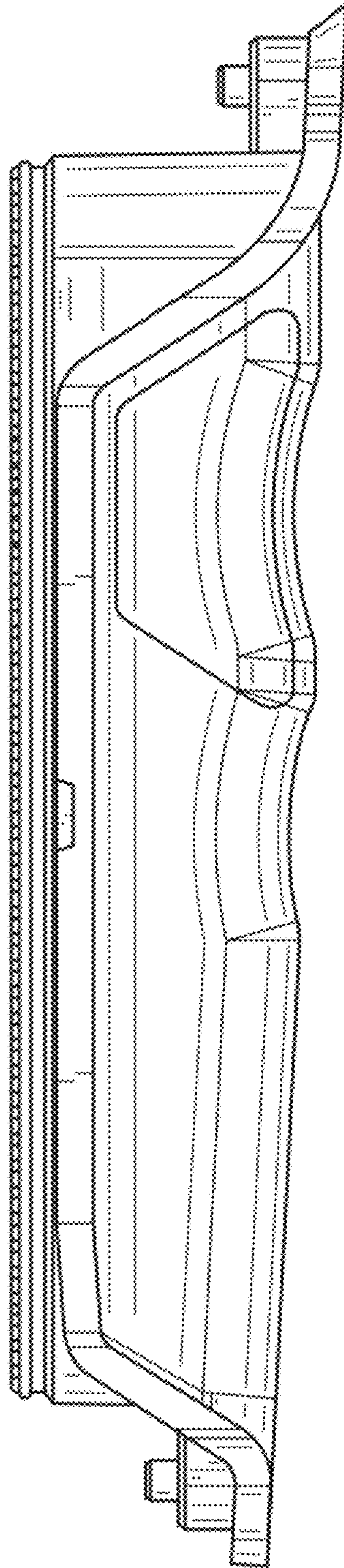


FIG. 11

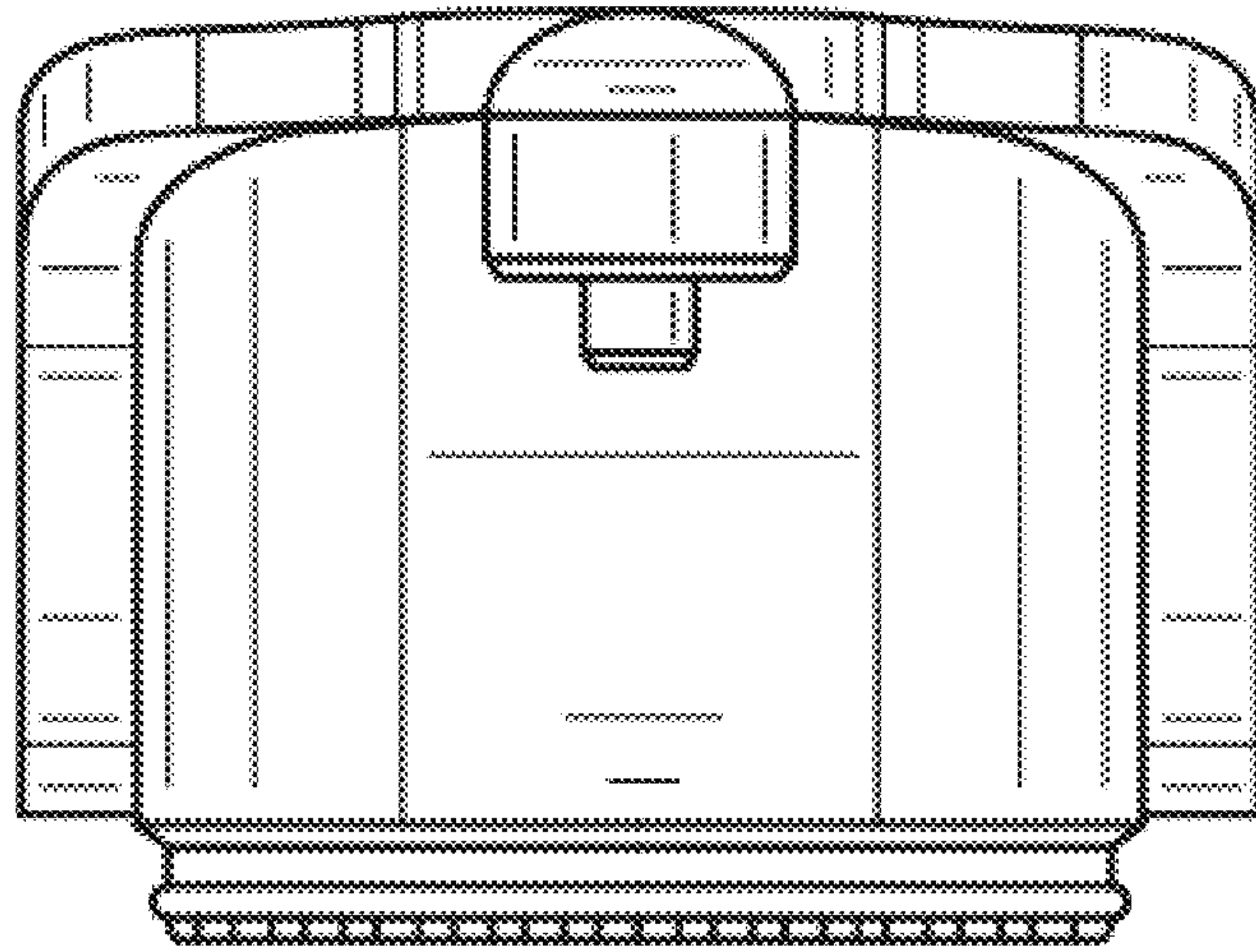


FIG. 12

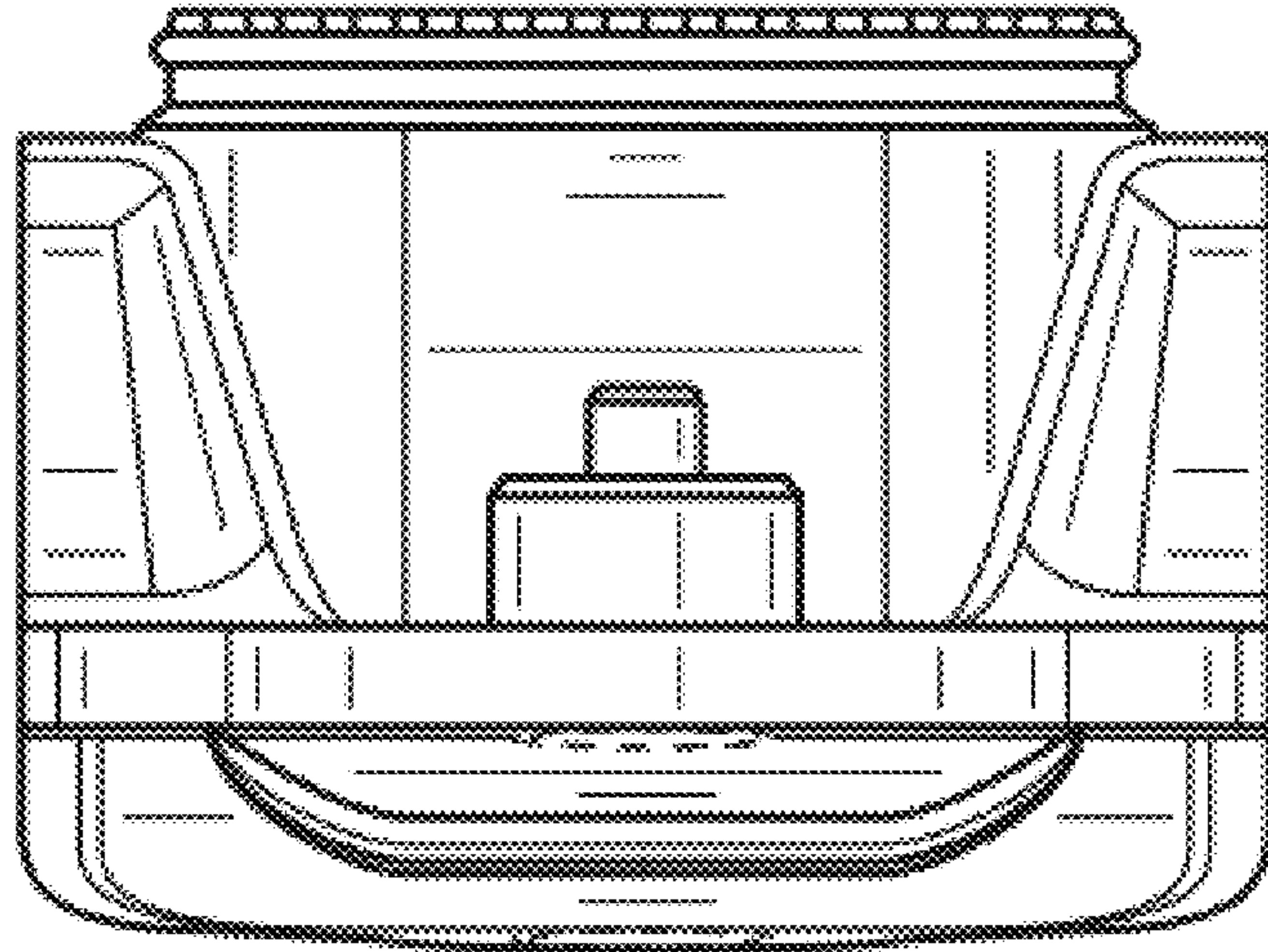


FIG. 13