



US00D975559S

(12) **United States Design Patent**
Gao

(10) **Patent No.:** **US D975,559 S**
(45) **Date of Patent:** **** Jan. 17, 2023**

(54) **VEHICLE DIAGNOSTIC TOOL**

(71) Applicant: **AUTEL INTELLIGENT TECHNOLOGY CORP., LTD.**,
Guangdong (CN)

(72) Inventor: **Ming Gao**, Guangdong (CN)

(73) Assignee: **AUTEL INTELLIGENT TECHNOLOGY CORP., LTD.**,
Guangdong (CN)

(**) Term: **15 Years**

(21) Appl. No.: **29/769,119**

(22) Filed: **Feb. 3, 2021**

(30) **Foreign Application Priority Data**

Aug. 10, 2020 (CN) 202030451327.7

(51) **LOC (14) Cl.** **10-05**

(52) **U.S. Cl.**
USPC **D10/65; D10/78; D13/133**

(58) **Field of Classification Search**
USPC D10/96-103, 61, 65-80; D13/199, 164,
D13/102, 108, 107, 133, 147
CPC G01R 31/3646; G01R 31/385; G01R
31/364; G01R 1/04; G01R 31/03; G01R
31/3689; G01R 31/371; G01R 31/006;
G01R 31/007; G01R 5/00; G01R 7/00;
G01R 17/00; G01R 19/00; G01R 21/00;
G01R 22/00; G01R 23/00; G01R 25/00;
G01R 27/00; G01R 15/12; G01R 15/181;
G01R 15/186; H01M 10/4285; H01R
11/11; H01R 12/57; H01R 2201/26;
H01R 13/6275; H01R 13/639; Y02E
60/10; Y02E 10/72; C02F 1/008; C02F
2201/326; C02F

(Continued)

(56) **References Cited**

U.S. PATENT DOCUMENTS

D571,241 S * 6/2008 Andreasen D10/78
D709,836 S * 7/2014 Casagrande D13/156

(Continued)

FOREIGN PATENT DOCUMENTS

CN 303571623 * 9/2015
CN 305268948 * 10/2018

(Continued)

OTHER PUBLICATIONS

Autel Store, Vehicle Diagnostic Connector, Date first available Dec. 30, 2020, [online]retrieved Mar. 4, 2022, available from https://www.amazon.com/Autel-MaxiSYS-VCI100-Communication-Diagnostic/dp/B09D3SHFKS/ref=sr_1_73?crid=2DOWSYV71GNOS&keywords=vehicle+diagnostic+scanner&qid=1646429177&srefix=VEHI (Year: 2020).*

(Continued)

Primary Examiner — Keli L Hill
Assistant Examiner — Sara S Sahneh

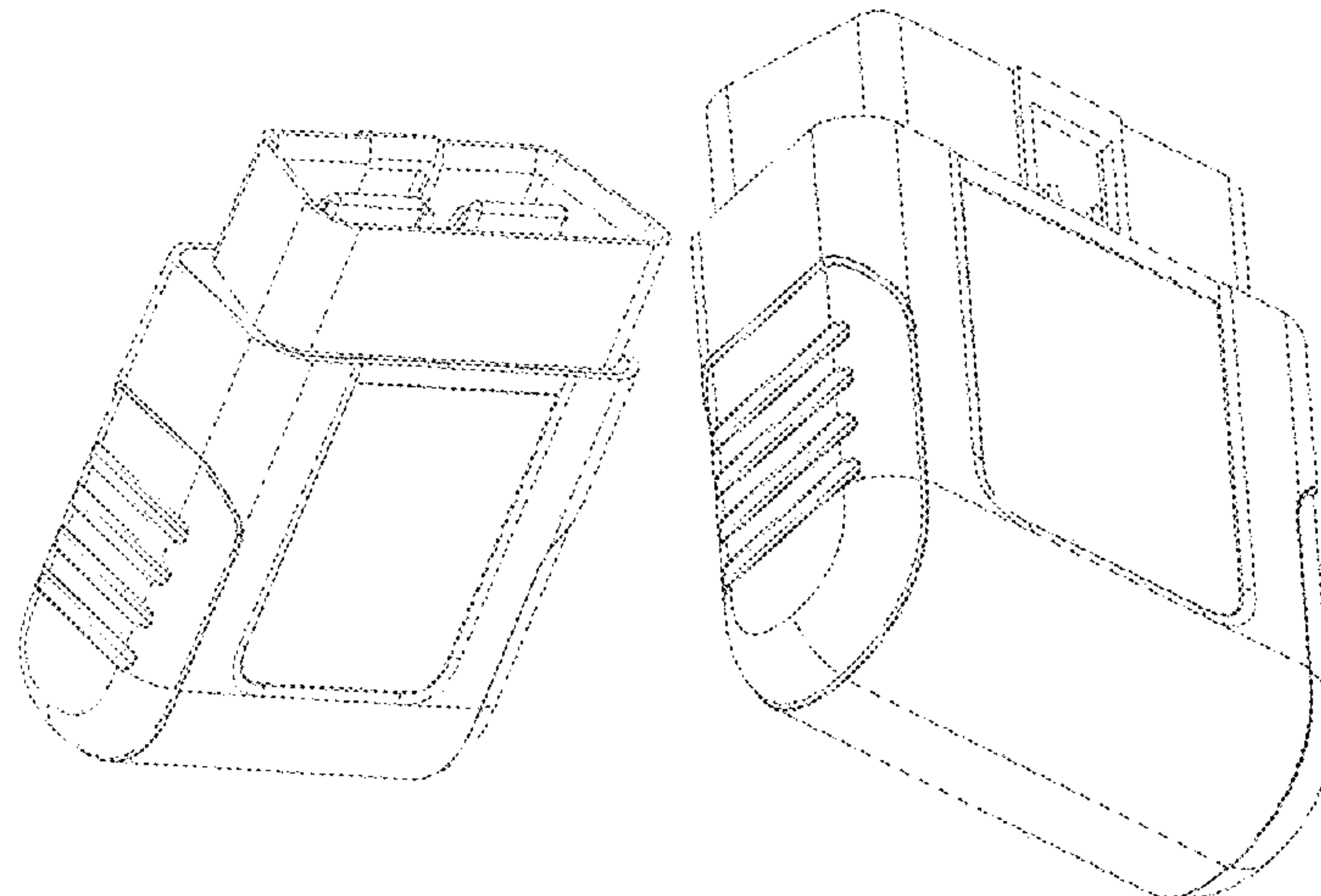
(57) **CLAIM**

I claim the ornamental design for a vehicle diagnostic tool, as shown and described.

DESCRIPTION

FIG. 1 is a front elevational view of a vehicle diagnostic tool showing my new design;
FIG. 2 is a back elevational view thereof;
FIG. 3 is a left side elevational view thereof;
FIG. 4 is a right side elevational view thereof;
FIG. 5 is a top plan view thereof;
FIG. 6 is a bottom plan view thereof;
FIG. 7 is a first perspective view thereof from the front, to the left and above; and,
FIG. 8 is a second perspective view thereof from the back, to the right and below.
In the drawings, the broken lines are shown for illustrating portions of the vehicle diagnostic tool and form no part of the claimed design.

1 Claim, 8 Drawing Sheets



(58) **Field of Classification Search**

CPC .. 2209/001; C02F 2209/006; C02F 2209/008;
 H05K 5/0247; G07C 5/02; G07C 5/00;
 G07C 5/12; G07C 5/08; G07C 2205/02;
 G07C 5/0808; G07C 5/0825; G07C
 5/008; H02J 9/061; H02J 1/06; H02J
 1/08; H02J 1/10; B60R 1/00; B60R 3/00;
 B60R 13/00; B60R 15/00; B60R 16/023;
 B60R 16/00; B60R 16/005; G01C 21/16;
 G01C 25/00; G01M 15/02

See application file for complete search history.

(56) **References Cited**

U.S. PATENT DOCUMENTS

| | | | | | | |
|--------------|----|---|---------|---------------|-------|-------------|
| D742,379 | S | * | 11/2015 | Haidar | | D14/383 |
| D766,116 | S | * | 9/2016 | Jaite | | D10/78 |
| D771,573 | S | * | 11/2016 | Lowchareonkul | | D13/156 |
| D826,864 | S | * | 8/2018 | Hoffart | | D13/147 |
| D856,178 | S | * | 8/2019 | Hou | | D13/133 |
| D865,639 | S | * | 11/2019 | Adams, III | | D12/400 |
| D918,075 | S | * | 5/2021 | Shu | | D10/78 |
| D923,499 | S | * | 6/2021 | Lee | | D10/78 |
| D942,289 | S | * | 2/2022 | Shen | | D10/78 |
| D965,455 | S | * | 10/2022 | Patry | | D10/78 |
| D966,119 | S | * | 10/2022 | Karimi | | D10/78 |
| D968,241 | S | * | 11/2022 | Gao | | D13/133 |
| D968,411 | S | * | 11/2022 | Peng | | D14/433 |
| 2016/0226189 | A1 | * | 8/2016 | Simonazzi | | H01R 13/639 |
| 2017/0115132 | A1 | * | 4/2017 | Lin | | B60R 16/023 |

FOREIGN PATENT DOCUMENTS

| | | | |
|----|----------------|---|---------|
| CN | 305945983 | * | 3/2020 |
| CN | 305911589 | * | 7/2020 |
| CN | 306390919 | * | 8/2020 |
| EM | 008305593-0003 | * | 12/2020 |
| EM | 008415228-0002 | * | 1/2021 |

OTHER PUBLICATIONS

Autel Store, Wireless OBDII Scan Tool with ABS, Date first available Jul. 4, 2020, [online]retrieved Mar. 4, 2022,available from https://www.amazon.com/Autel-AP200C-Wireless-Diagnostics-Throttle/dp/B08CC35FFM/ref=psdc_15707381_t2_B09D3SHFKS (Year: 2020).*

Toretas, OBD2 Scanner Bluetooth, Date first available Jan. 4, 2022, [online]retrieved Mar. 4, 2022,available from [https://www.amazon.com/dp/B09PN845J7/ref=sspa_dk_detail_5?pd_rd_i=B09PN845J7&pd_rd_w=ulzm0&pf_rd_p=b9951ce4-3bd8-4b04-9123-0fda35d6155e&pd_rd_wg=8xoEv&pf_rd_r=00PEV16CD324W5YZ4FBX&pd_rd_r=\(Year: 2022\).](https://www.amazon.com/dp/B09PN845J7/ref=sspa_dk_detail_5?pd_rd_i=B09PN845J7&pd_rd_w=ulzm0&pf_rd_p=b9951ce4-3bd8-4b04-9123-0fda35d6155e&pd_rd_wg=8xoEv&pf_rd_r=00PEV16CD324W5YZ4FBX&pd_rd_r=(Year: 2022).)*

Nexas,Scanner Code Reader, Date first available Jul. 31, 2020, [online]retrieved Mar. 4, 2022,available from https://www.amazon.com/NEXAS-NexLink-Bluetooth-Diagnostic-Enhanced/dp/B08BPC179W/ref=sr_1_24?crd=1V2G8DR6JFGDZ&keywords=VEHICLE+DIAGNOSTIC+SLAVE+TOOL&qid=1646428969&sprefix=vehicle+diagnostic+sla (Year: 2020).*

* cited by examiner

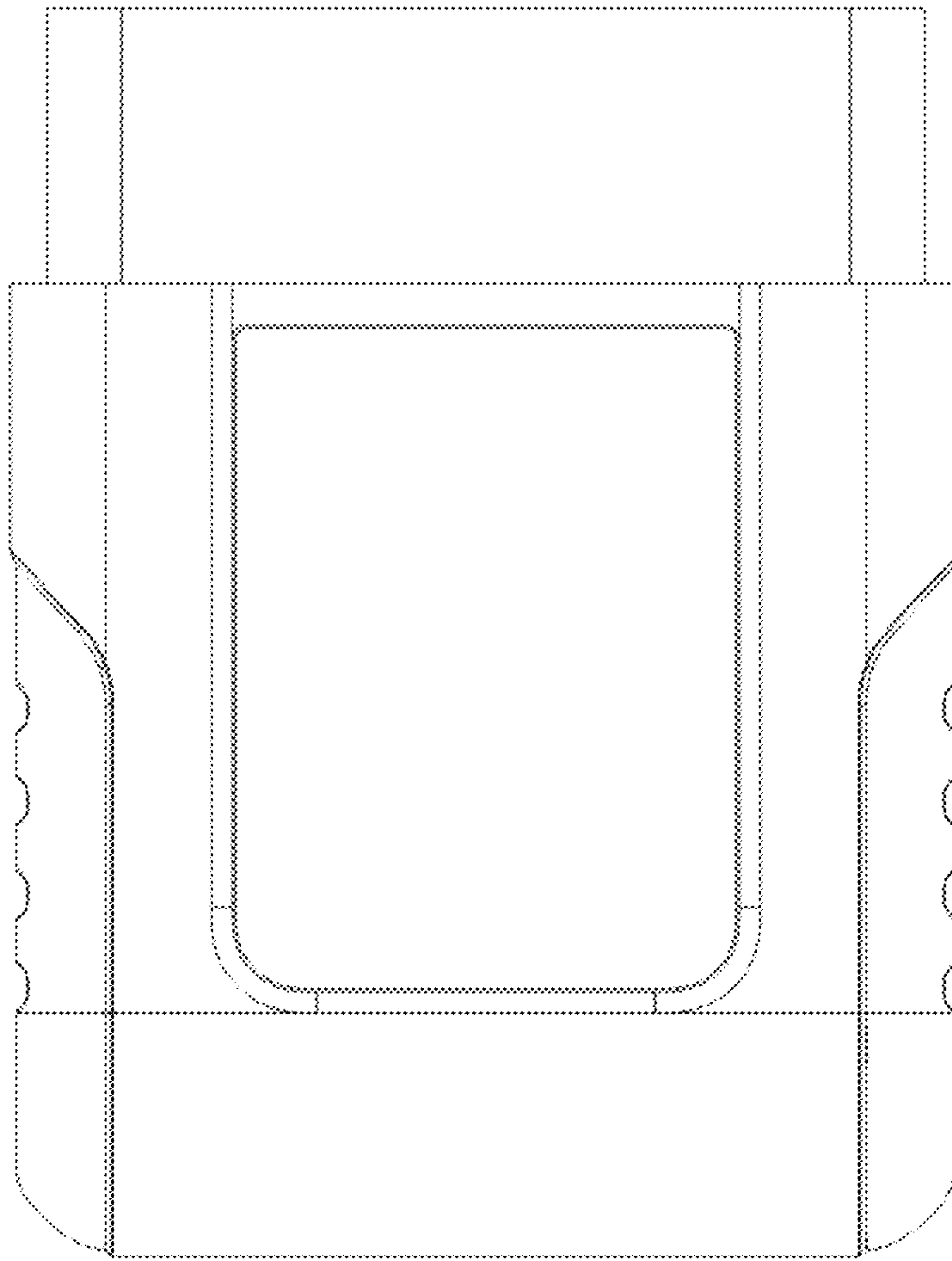


FIG. 1

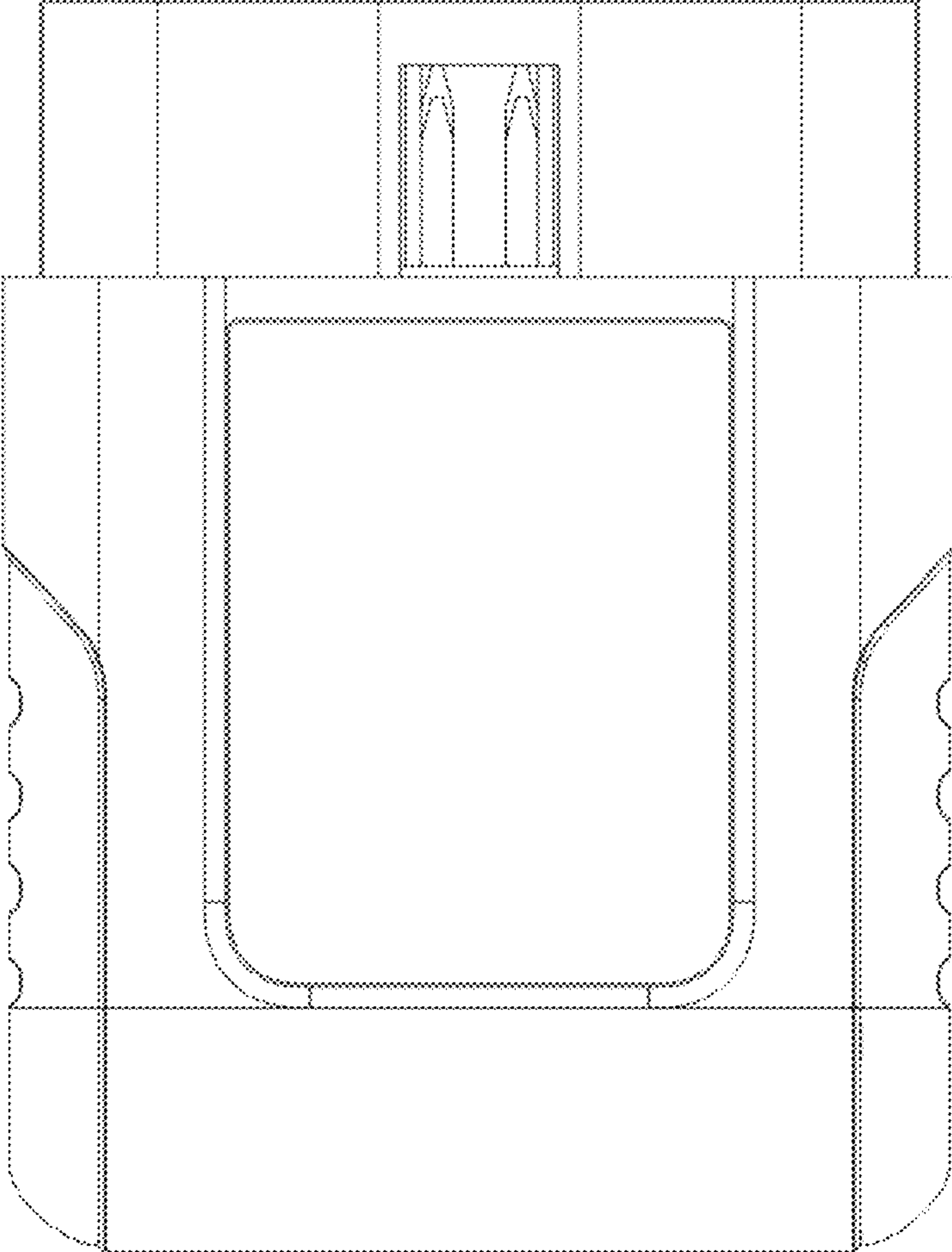


FIG. 2

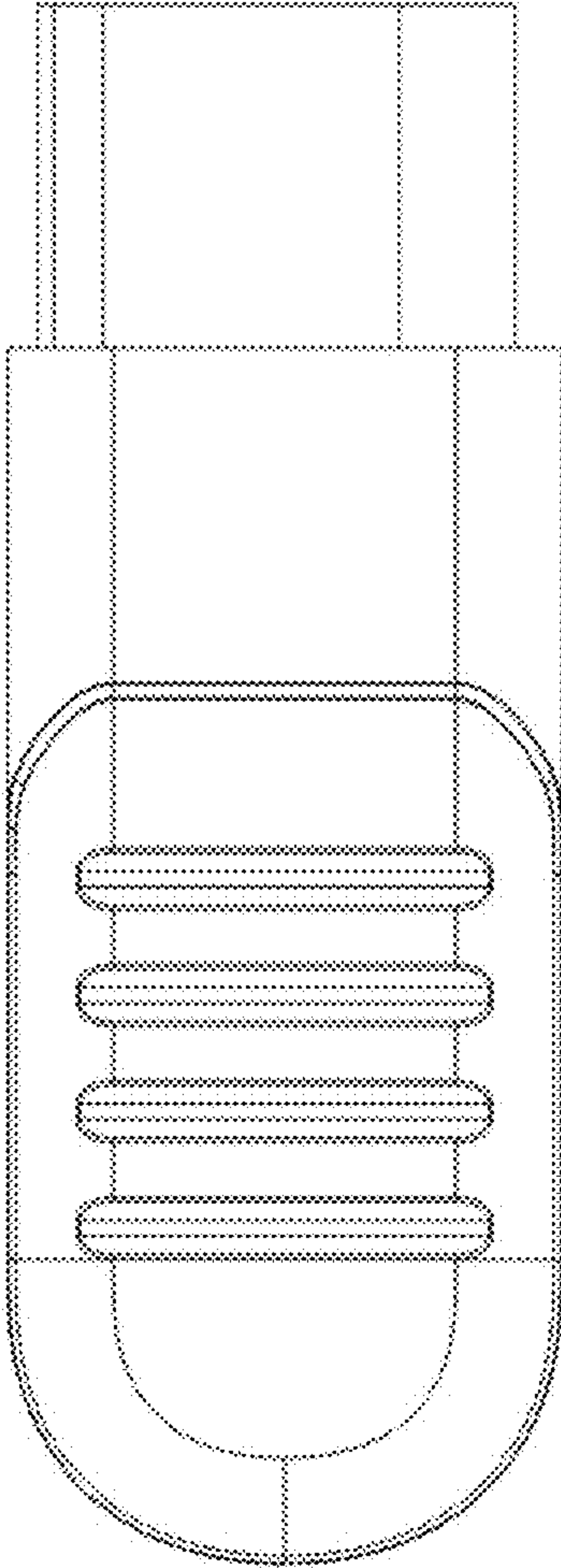


FIG.3

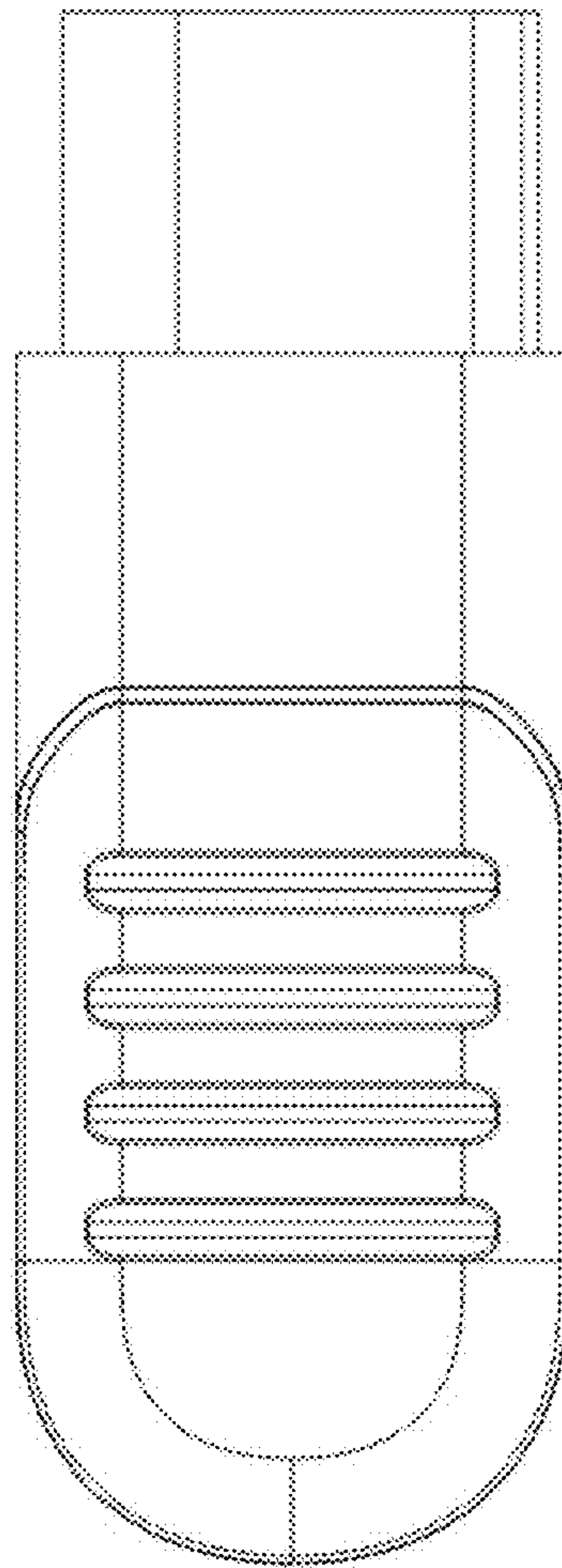


FIG.4

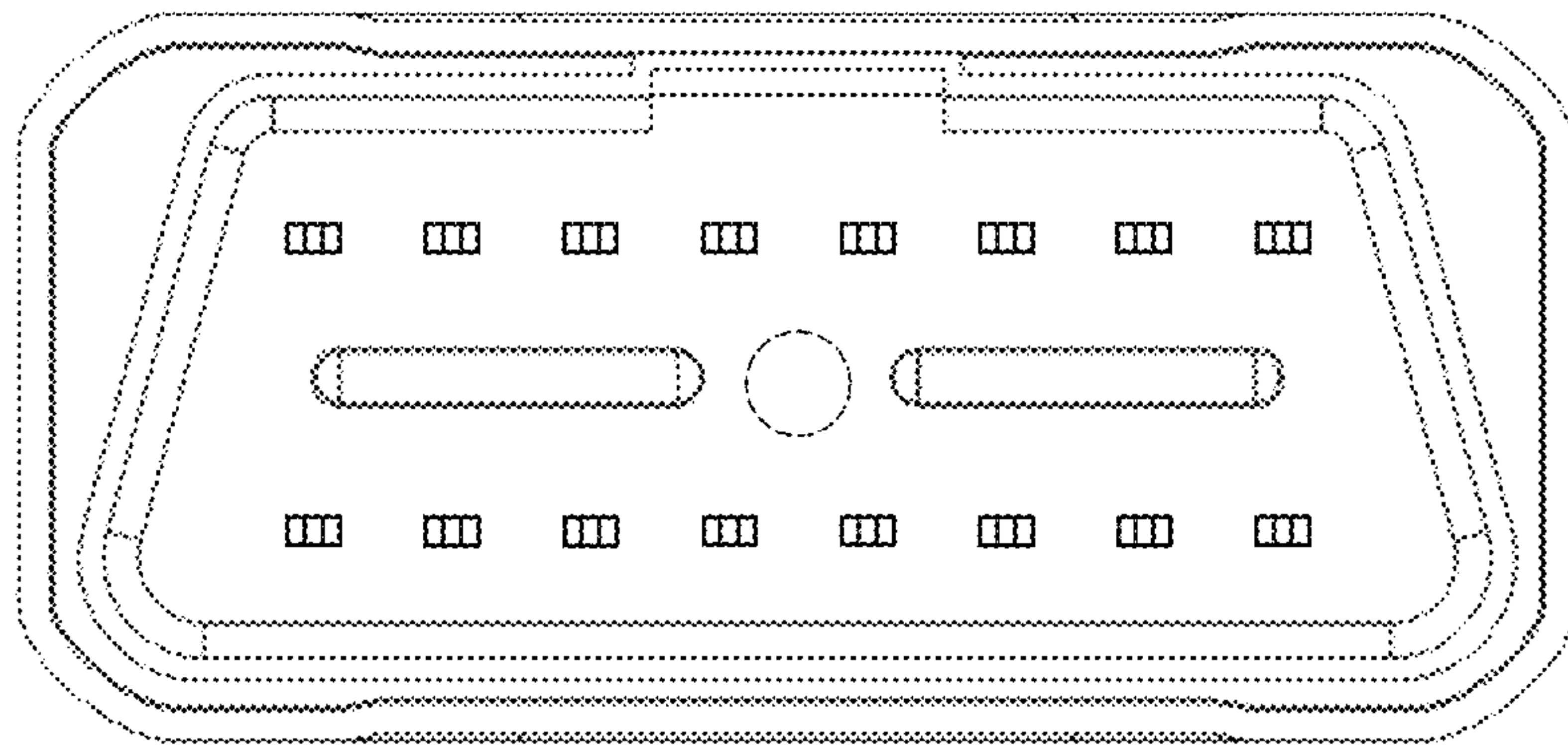


FIG. 5



FIG.6

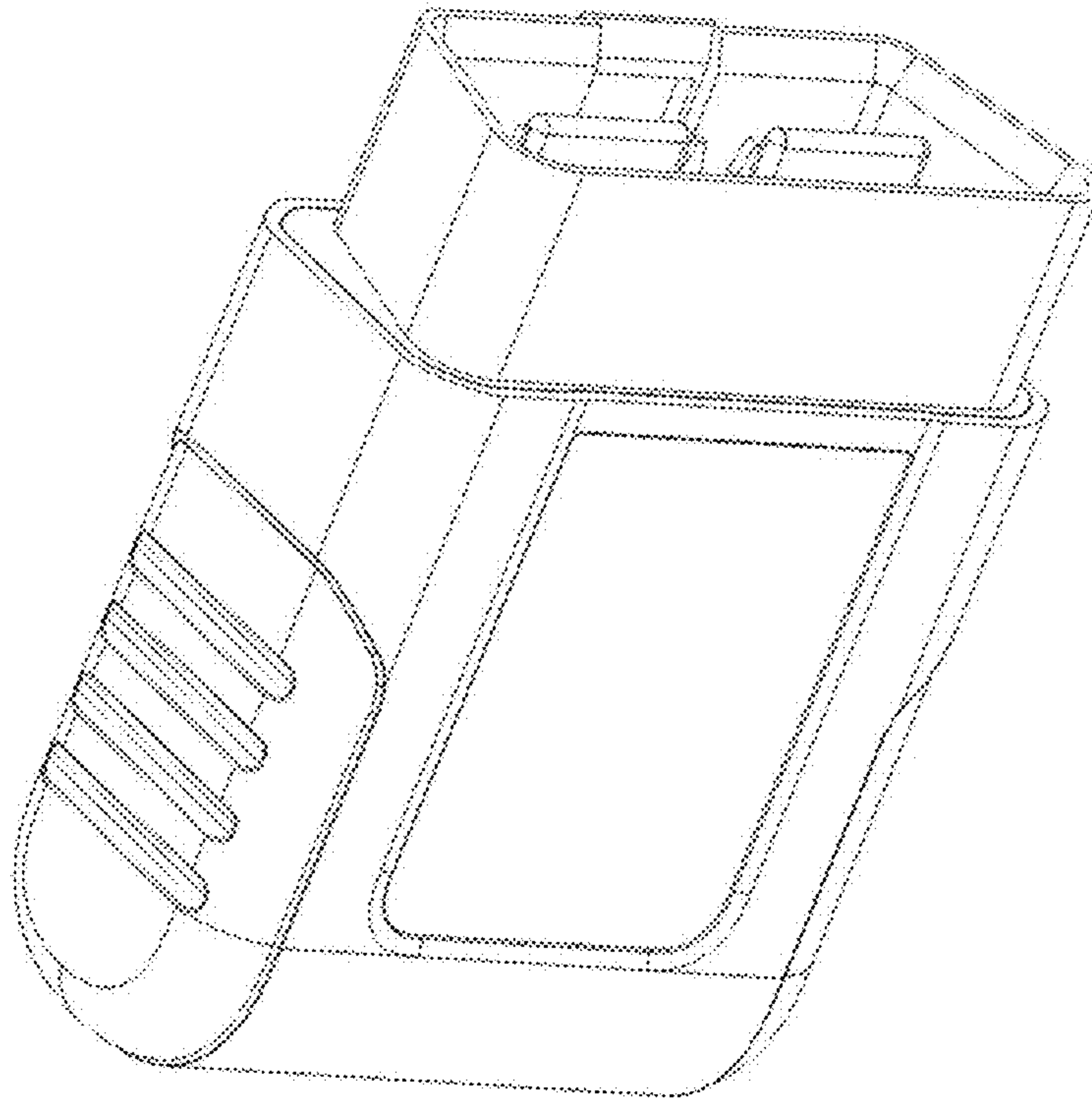


FIG.7

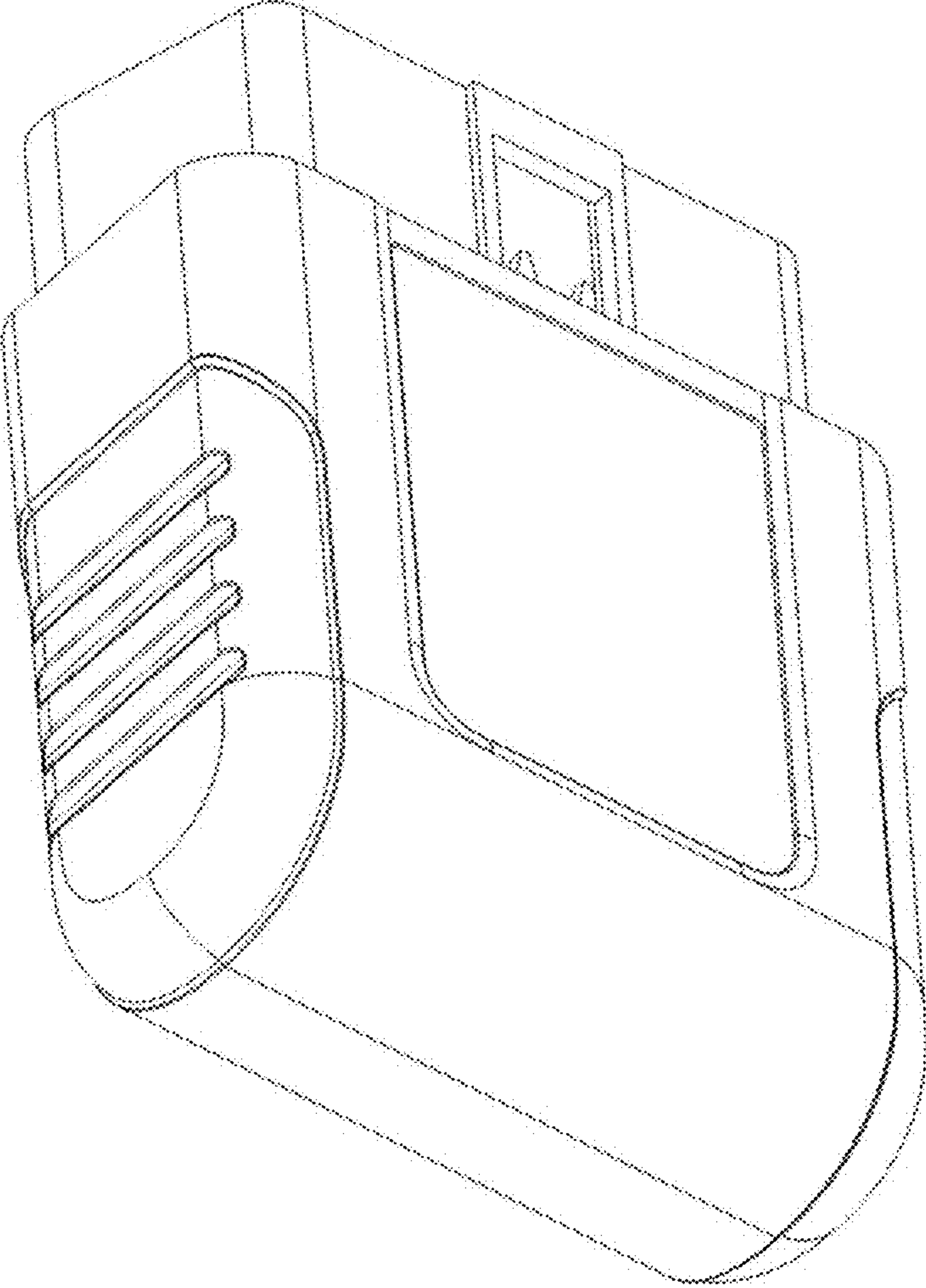


FIG.8