



US00D975556S

(12) **United States Design Patent** (10) **Patent No.:** **US D975,556 S**
Lee et al. (45) **Date of Patent:** **** Jan. 17, 2023**

(54) **THERMOSTAT BACK PLATE**
(71) Applicant: **Google LLC**, Mountain View, CA (US)
(72) Inventors: **Dongkyu Lee**, Mountain View, CA (US); **Etienne Berube**, San Francisco, CA (US); **Maj Isabelle Olsson**, Sunnyvale, CA (US); **Sung Kyun Bai**, San Jose, CA (US); **Christen Bilger**, Sunnyvale, CA (US); **Justin Wodrich**, Los Gatos, CA (US)

D768,092 S * 10/2016 Hansen D13/173
D786,098 S * 5/2017 Repp D10/60
D786,100 S * 5/2017 Repp D10/60
D786,104 S * 5/2017 Repp D10/60
D794,478 S * 8/2017 Read D13/154
D804,451 S * 12/2017 Isabelle D14/238.1
9,935,455 B2 * 4/2018 Warren G05D 23/1902
9,941,183 B2 * 4/2018 Read F16M 13/02
9,952,608 B2 * 4/2018 Warren F24F 11/30
9,960,581 B2 * 5/2018 Janovec H02G 3/14
9,989,273 B2 * 6/2018 Read F24F 11/30

(Continued)

(**) Term: **15 Years**

(21) Appl. No.: **29/731,328**

(22) Filed: **Apr. 14, 2020**

(51) **LOC (14) Cl.** **10-04**

(52) **U.S. Cl.**
USPC **D10/60**

(58) **Field of Classification Search**
USPC D10/106.4, 69, 78, 199, 72, 60, 70;
D26/120; D14/434; D13/173, 154
CPC G02F 1/133308
See application file for complete search history.

(56) **References Cited**

U.S. PATENT DOCUMENTS

D118,924 S * 2/1940 Williams D13/154
D209,142 S * 11/1967 Carlson D13/154
D293,893 S * 1/1988 Polizzotto D10/74
D316,415 S * 4/1991 Hepworth 379/438
D450,042 S * 11/2001 Kaplan D13/154
D496,910 S * 10/2004 Bomar D13/154
D540,328 S * 4/2007 Hussaini D14/434
D558,208 S * 12/2007 Ikeda D14/434
D622,670 S * 8/2010 Otasu D13/154
D635,932 S * 4/2011 Svelnis D13/154
D636,735 S * 4/2011 Svelnis D13/154
D704,576 S * 5/2014 Slaker D10/60
D705,229 S * 5/2014 Wengreen D14/238.1
D761,139 S * 7/2016 Golnik D10/70

OTHER PUBLICATIONS

2nd Generation Nest Install with trim Plate, YouTube, publication date Nov. 4, 2012, (online) URL: <https://www.youtube.com/watch?v=ju6Bj5aQlyE> (Year: 2012).*

(Continued)

Primary Examiner — George D. Kirschbaum
Assistant Examiner — Antoinette Martine Suiter
(74) *Attorney, Agent, or Firm* — Leason Ellis LLP

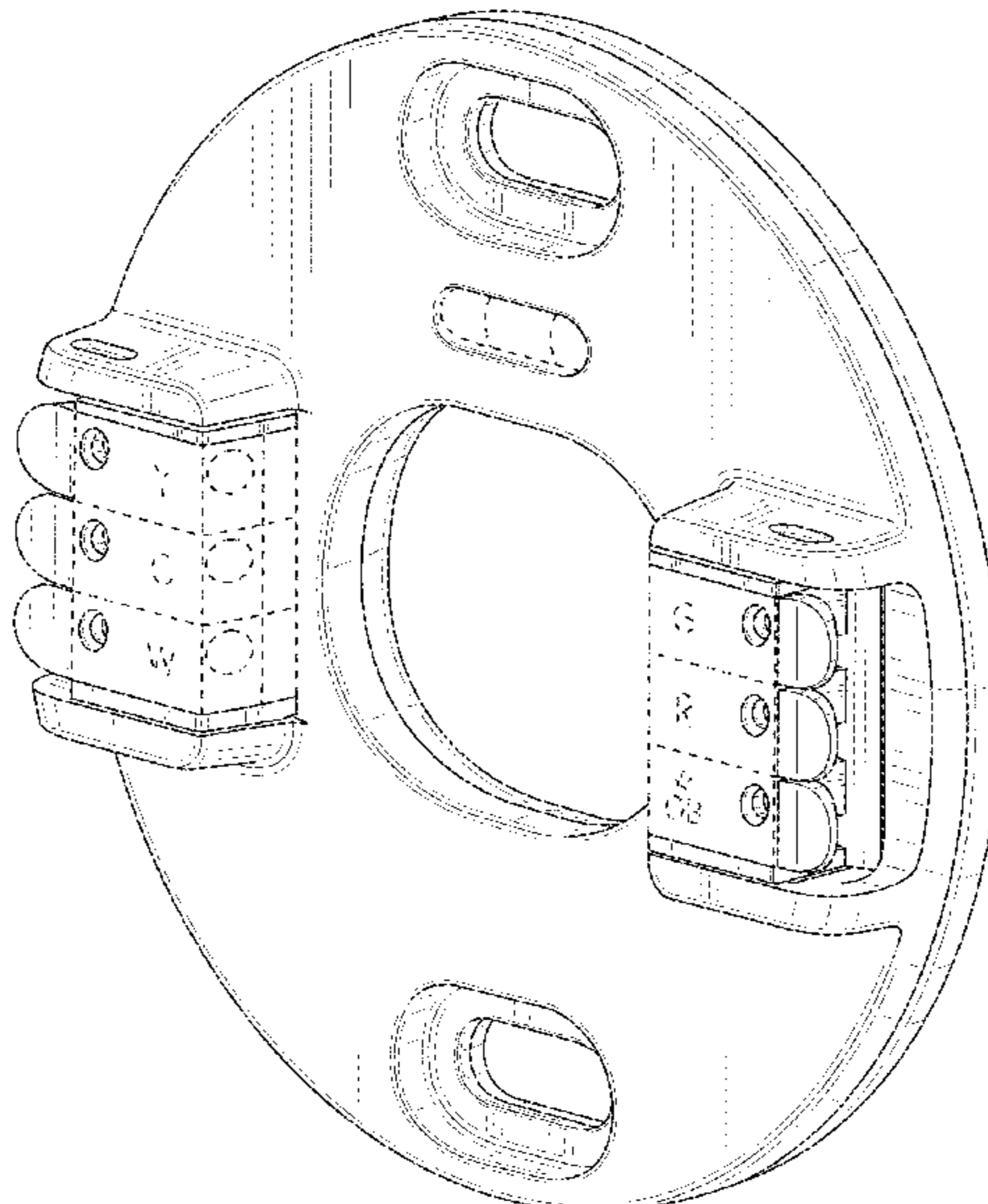
(57) **CLAIM**

The ornamental design for a thermostat back plate, as shown and described.

DESCRIPTION

FIG. 1 is a perspective view of a thermostat back plate showing our new design;
FIG. 2 is a front elevation view thereof;
FIG. 3 is a rear elevation view thereof;
FIG. 4 is a left side view thereof;
FIG. 5 is a right side view thereof;
FIG. 6 is a bottom plan view thereof; and,
FIG. 7 is a top plan view thereof.
The broken lines of even length illustrate portions of the thermostat back plate that form no part of the claimed design.

1 Claim, 7 Drawing Sheets



(56)

References Cited

U.S. PATENT DOCUMENTS

10,048,852 B2 * 8/2018 Fadell G05D 23/2454
10,088,192 B2 * 10/2018 Crimins G05D 23/1904
10,101,050 B2 * 10/2018 Radovanovic G05B 15/02
10,191,727 B2 * 1/2019 Warren F24F 11/62
10,209,688 B2 * 2/2019 Stefanski G05D 23/193
10,241,526 B2 * 3/2019 Marschalkowski G05D 23/19
10,248,092 B2 * 4/2019 Crimins G05B 19/042
10,248,143 B2 * 4/2019 Greene G05D 23/1923
D860,832 S * 9/2019 Illouz D10/60
10,452,083 B2 * 10/2019 Warren G05D 23/19
D867,173 S * 11/2019 Lavrovsky D10/60
D867,174 S * 11/2019 Read D10/60
D867,905 S * 11/2019 McKinnon D10/50
2013/0119216 A1 * 5/2013 Kuo G02F 1/133308
248/224.8

OTHER PUBLICATIONS

How to Install a Google Nest Thermostat Yourself DIY in Less Than 30 Minutes & Check Compatibility, publication date Jan. 9, 2021, (online) URL: <https://www.youtube.com/watch?v=dqqbM1WON2U> (Year: 2021).*

* cited by examiner

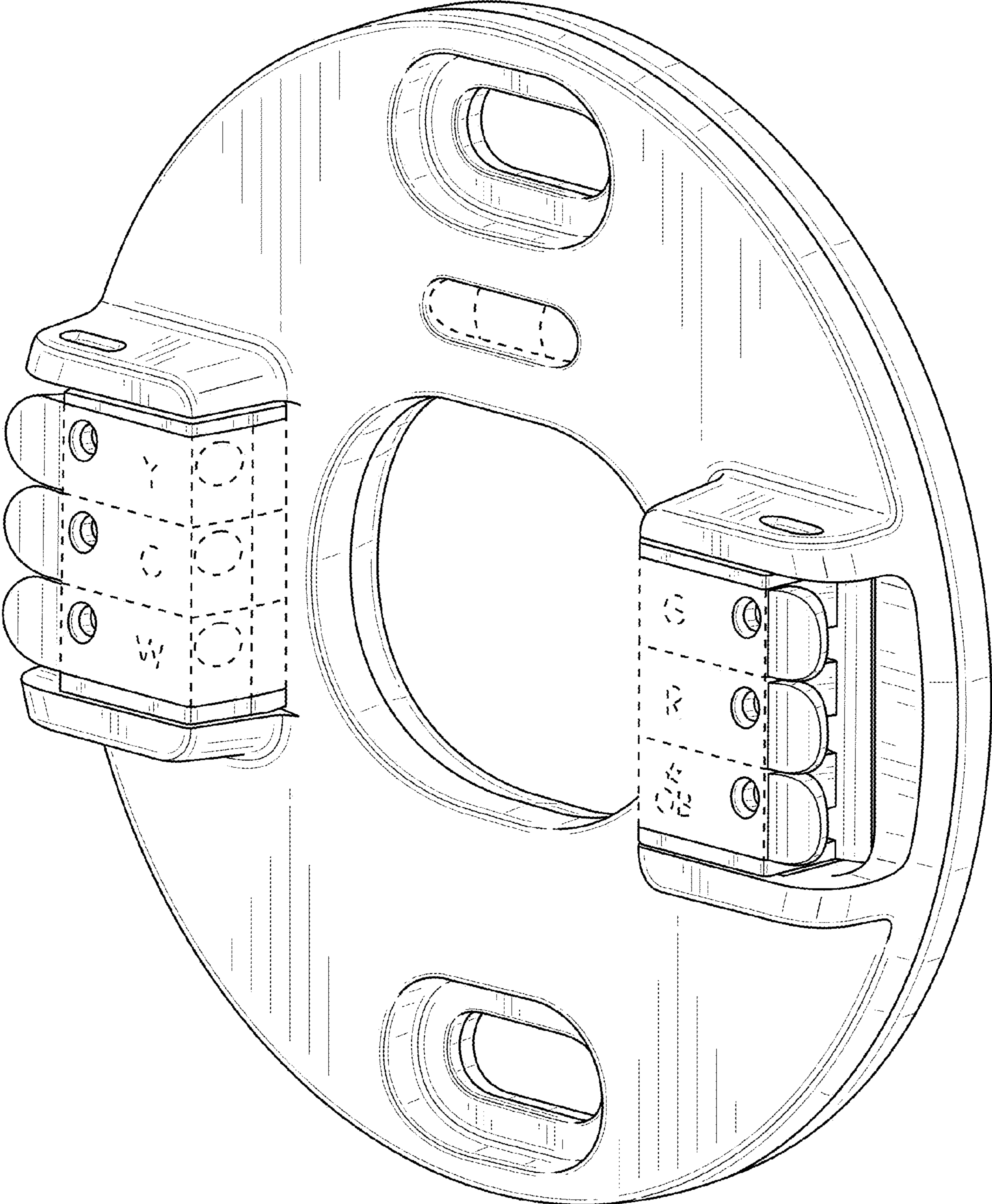


FIG. 1

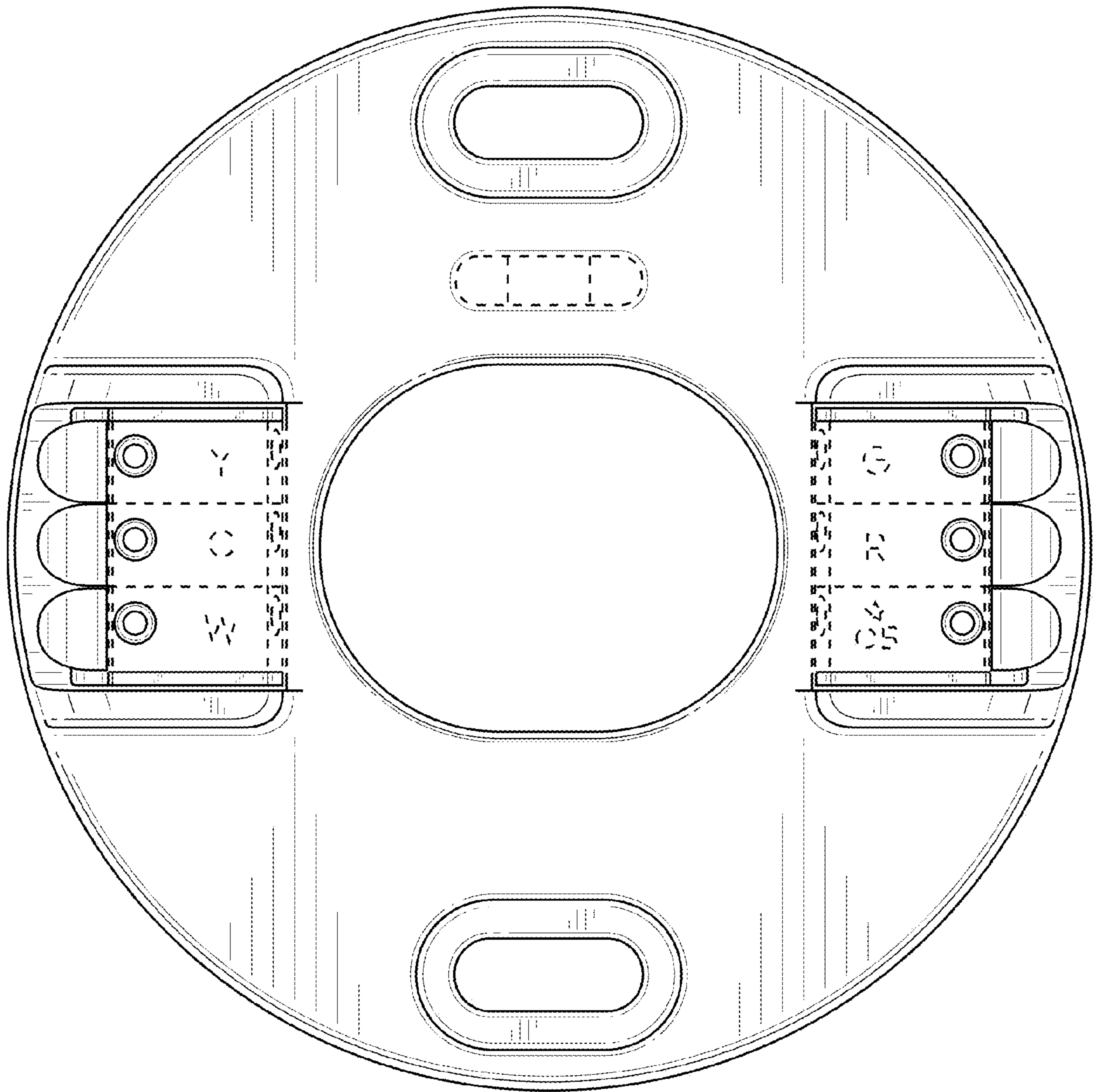


FIG. 2

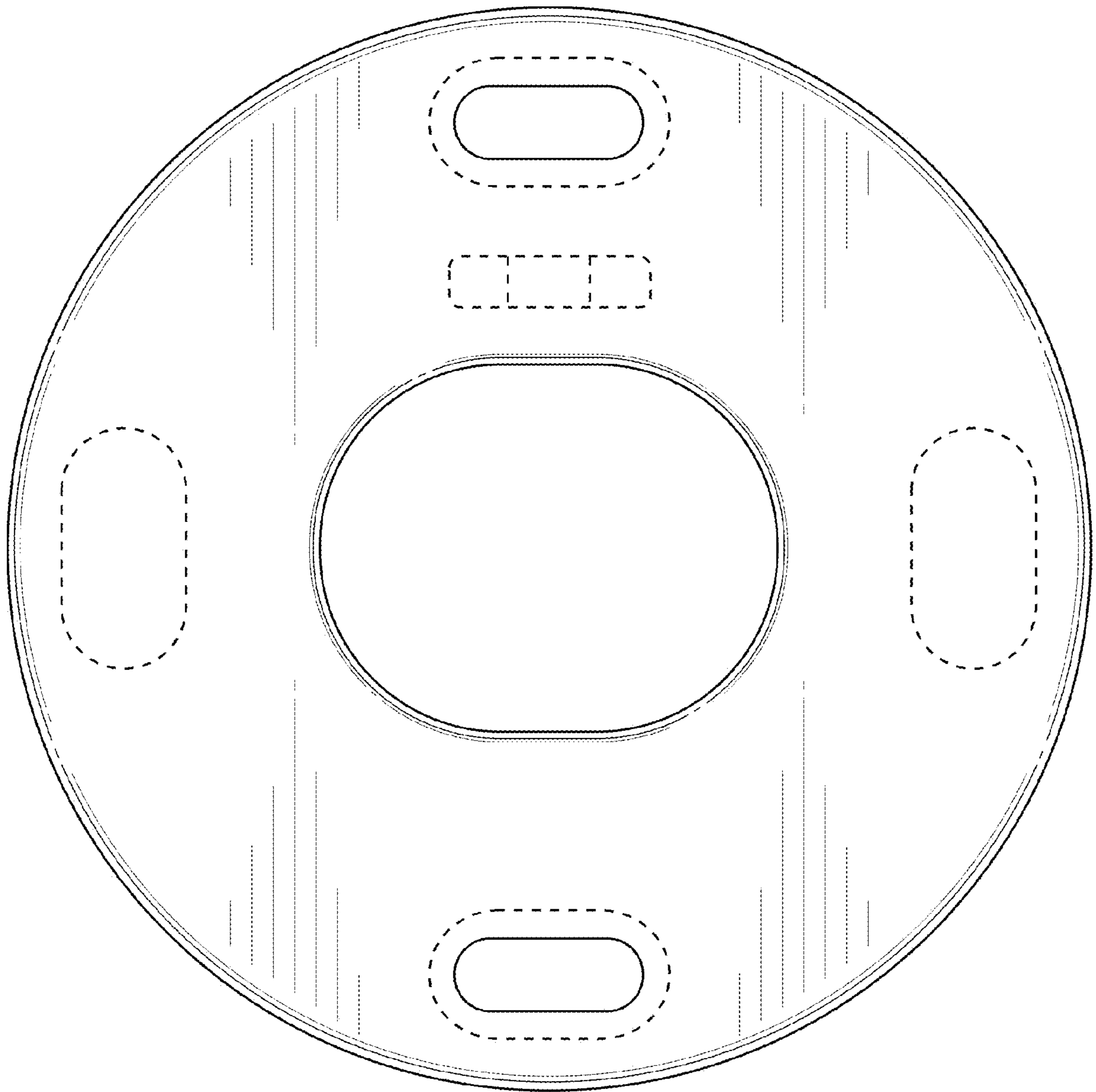


FIG. 3

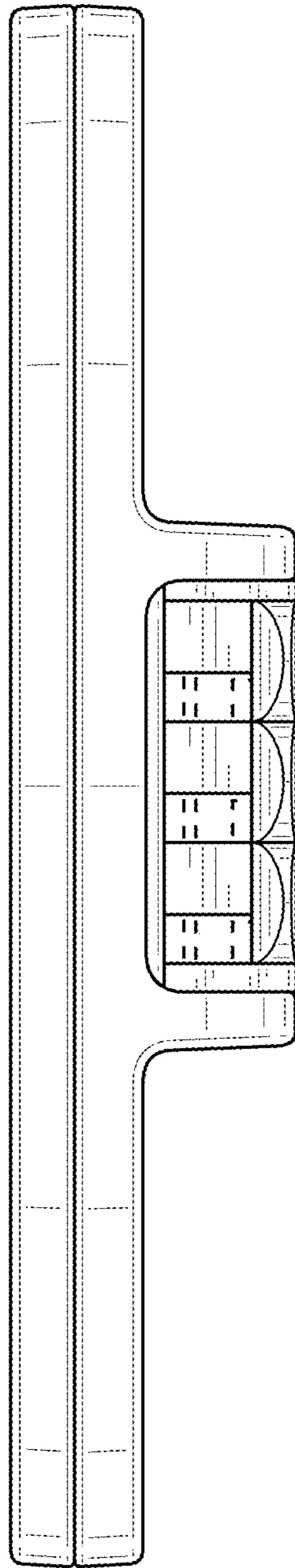


FIG. 4

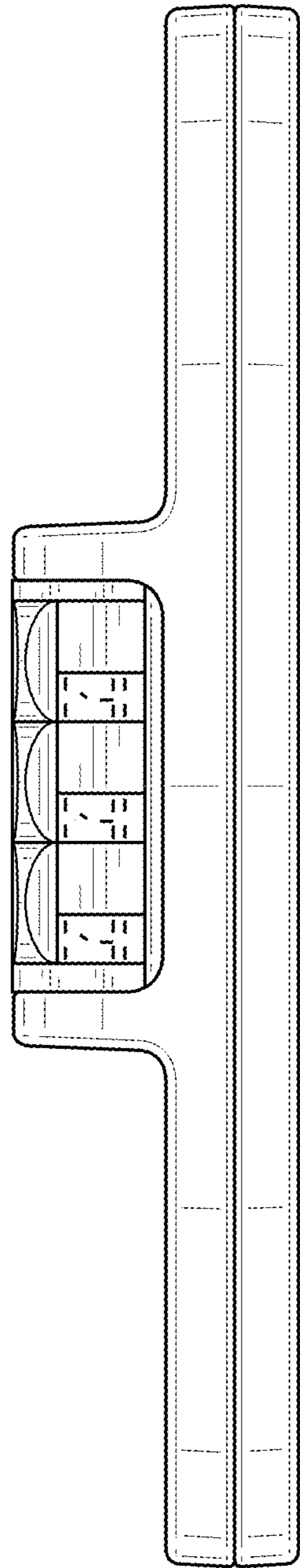


FIG. 5

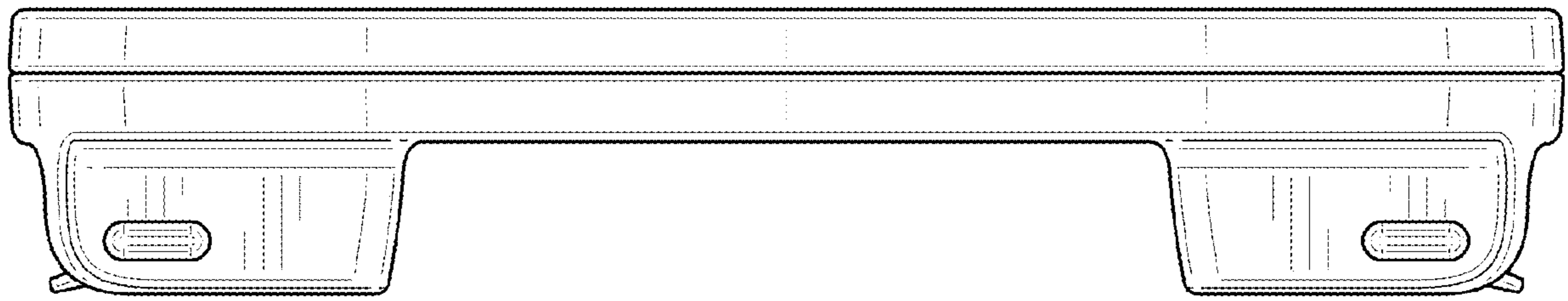


FIG. 6

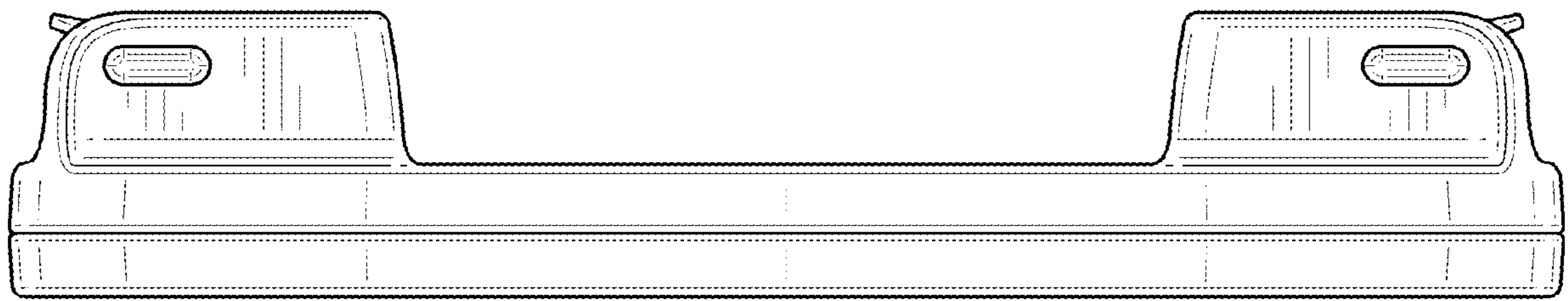


FIG. 7