



US00D97555S

(12) **United States Design Patent** (10) **Patent No.:** **US D975,555 S**
Al et al. (45) **Date of Patent:** **** Jan. 17, 2023**

(54) **FOOD THERMOMETER**

(71) Applicant: **Shenzhen Hongkang International Electronic Technology Co., Ltd.**,
Shenzhen (CN)

(72) Inventors: **Qilong Al**, Shenzhen (CN); **Jieyuan Tan**, Shenzhen (CN)

(73) Assignee: **Shenzhen Hongkang International Electronic Technology Co., Ltd.**,
Shenzhen (CN)

(**) Term: **15 Years**

(21) Appl. No.: **29/846,261**

(22) Filed: **Jul. 14, 2022**

(30) **Foreign Application Priority Data**

Mar. 17, 2022 (CN) 202230139041.4

(51) **LOC (14) Cl.** **10-04**

(52) **U.S. Cl.**
USPC **D10/57**

(58) **Field of Classification Search**
USPC D10/40-41, 49, 51, 57
CPC G01K 1/024; G01K 1/026; G01K 2207/04;
G01K 2207/06

See application file for complete search history.

(56) **References Cited**

U.S. PATENT DOCUMENTS

D591,181 S * 4/2009 Kanbar D10/40
D807,208 S * 1/2018 Cruz D10/57
10,067,004 B1 * 9/2018 Allen G01K 1/14
D841,492 S * 2/2019 Liu D10/57
D875,052 S * 2/2020 Zhou D13/164
D899,277 S * 10/2020 Wang D10/57
D920,141 S 5/2021 Zhou
D931,121 S * 9/2021 Pan D10/57
D938,835 S * 12/2021 Yang D10/49
D939,452 S * 12/2021 Yang D13/168
D944,660 S * 3/2022 Friend D10/49
D949,717 S * 4/2022 Hu D10/57

D953,899 S * 6/2022 Tan D10/57
11,366,018 B1 * 6/2022 Tan G01K 7/16
2003/0118077 A1 * 6/2003 Chapman G01K 1/024
374/E1.004
2021/0270678 A1 * 9/2021 Owen G01K 1/024
2021/0304222 A1 * 9/2021 Gratian G06Q 50/12

FOREIGN PATENT DOCUMENTS

CN 216559429 U * 5/2022
WO WO-2022101846 A1 * 5/2022 G01K 1/024

OTHER PUBLICATIONS

Asofty Wireless Meat Probe Thermometer | amazon.com; date first available Jul. 2022 [online]. © 1996-2022, Amazon.com, Inc [retrieved Sep. 28, 2022] from Internet: <<https://www.amazon.com/-/es/BQ20/dp/B0B5XM29R9>> (Year: 2022).*

* cited by examiner

Primary Examiner — Katherine Glennon

(74) *Attorney, Agent, or Firm* — Nitin Kaushik

(57) **CLAIM**

The ornamental design for a food thermometer, as shown and described.

DESCRIPTION

FIG. 1 is a top perspective view of a first component of a food thermometer, showing our new design, where the first component is shown in a closed state and with the two parts shown separately;

FIG. 2 is a top view thereof;

FIG. 3 is a bottom view thereof;

FIG. 4 is a left side view thereof;

FIG. 5 is a right side view thereof;

FIG. 6 is a front view thereof;

FIG. 7 is a rear view thereof;

FIG. 8 is a bottom perspective view thereof;

FIG. 9 is a top perspective view of the first component shown with the two parts combined;

(Continued)

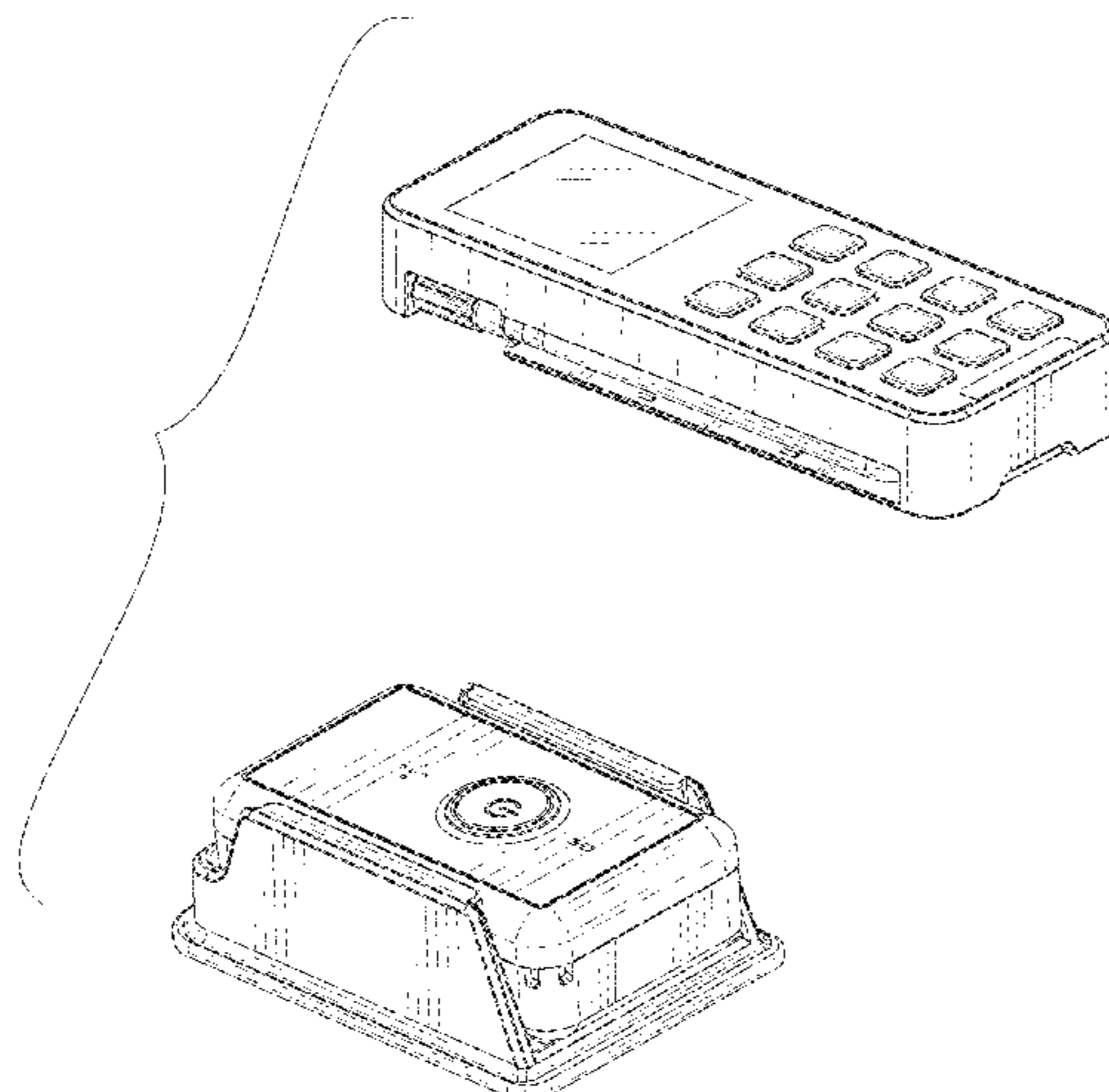


FIG. 10 is a rear perspective view of the first component shown in an expanded state and with the two parts combined;

FIG. 11 is a left side perspective view of a second component of the food thermometer, shown with the two parts combined;

FIG. 12 is a top view thereof;

FIG. 13 is a bottom view thereof;

FIG. 14 is a right side view thereof;

FIG. 15 is a left side view thereof;

FIG. 16 is a front view thereof;

FIG. 17 is a rear view thereof;

FIG. 18 is a right side perspective view thereof;

FIG. 19 is a top perspective view of the second component with the two parts shown separately;

FIG. 20 is top perspective view of the first and second components, with each component shown in a combined state; and,

FIG. 21 is top perspective view of the first and second components, with each component shown in a separated state.

The broken lines in the drawings illustrate the portions of the food thermometer, which form no part of the claimed design. The bottom view of the inner part of the second component of the article is not shown in the drawings or described in the specification. It is understood that the appearance of any part of the article not shown in the drawings or described in the specification forms no part of the claimed design. As such, the determination of patentability is based on the design for the article shown and described.

1 Claim, 21 Drawing Sheets

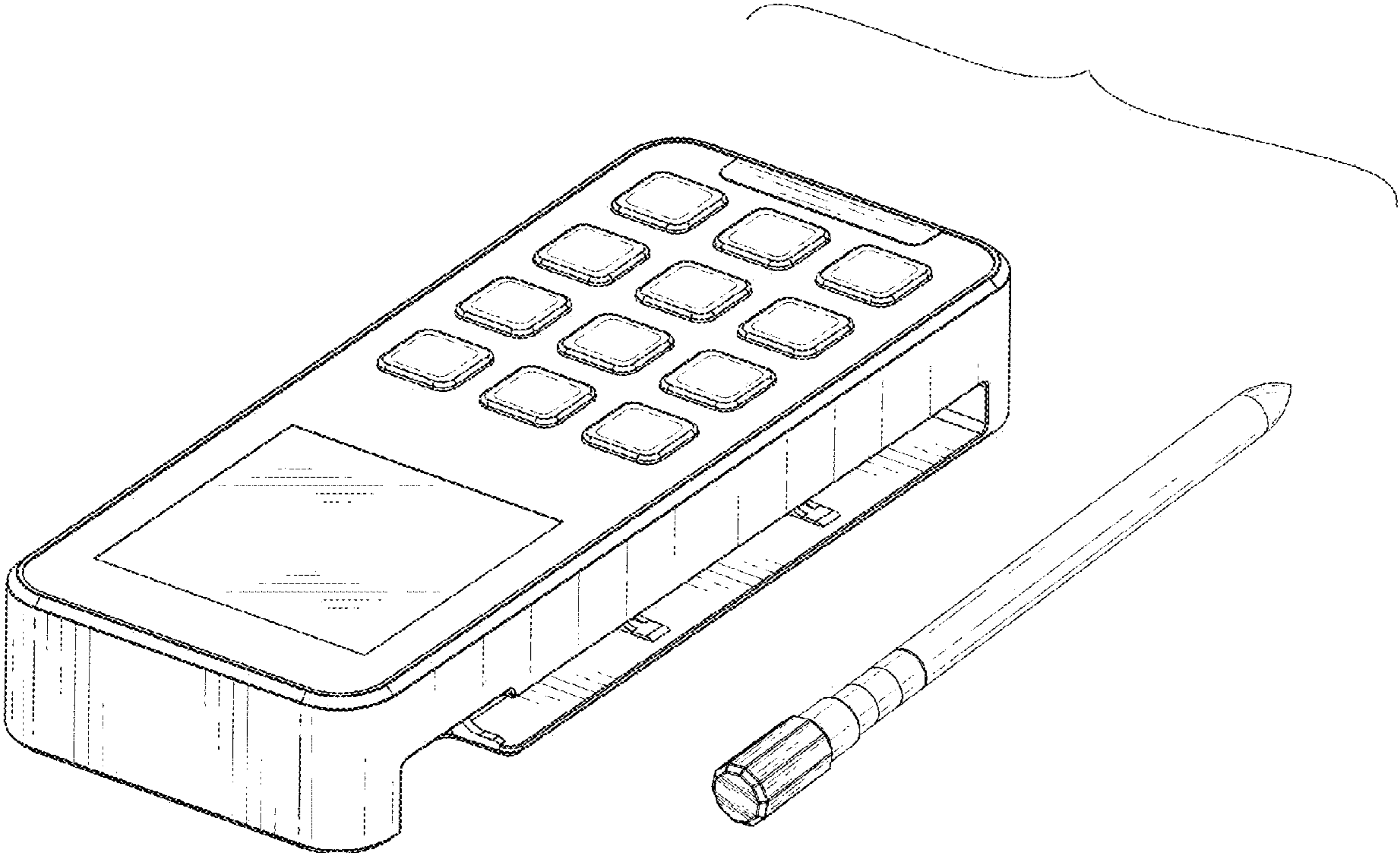


FIG. 1

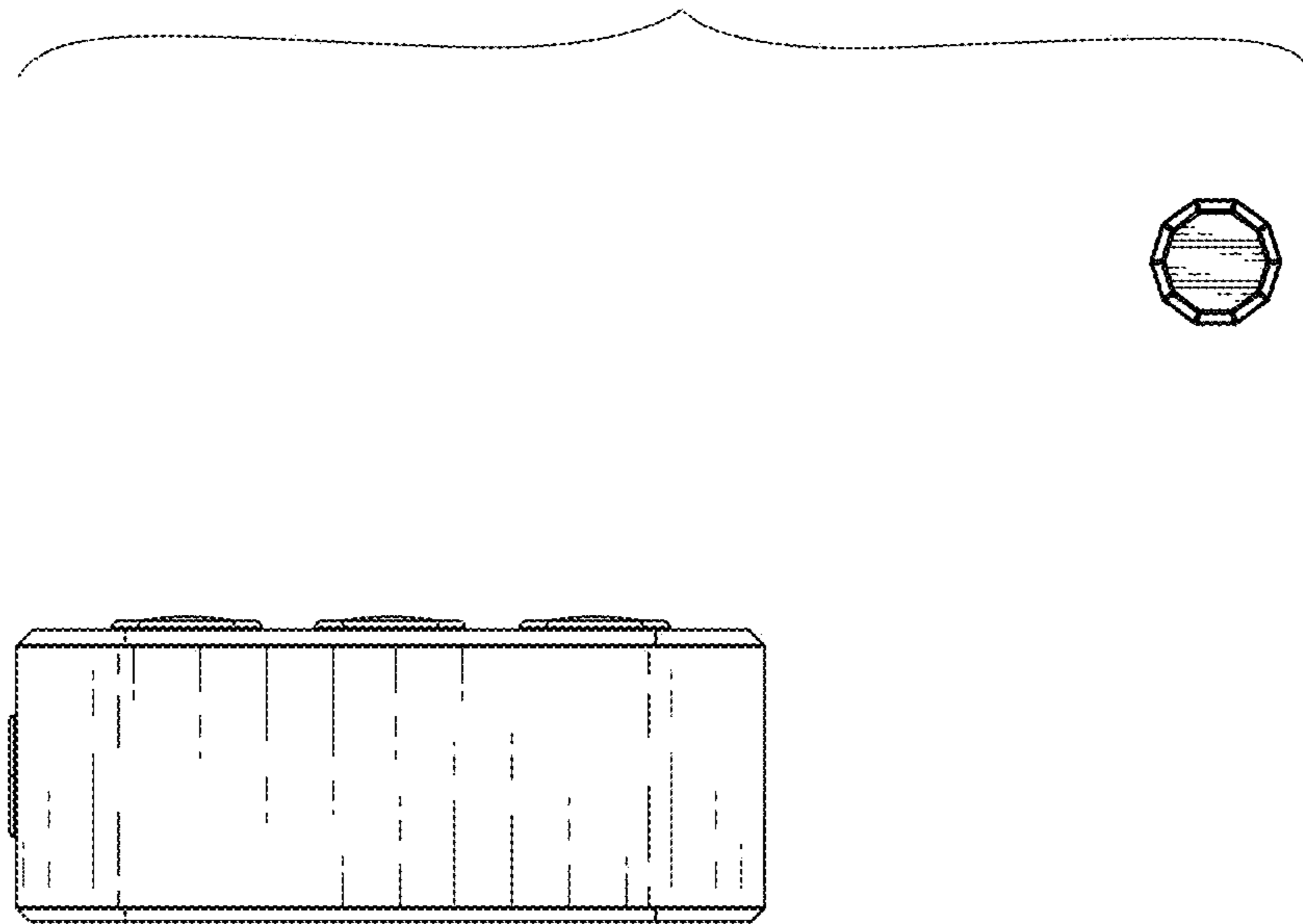


FIG. 2

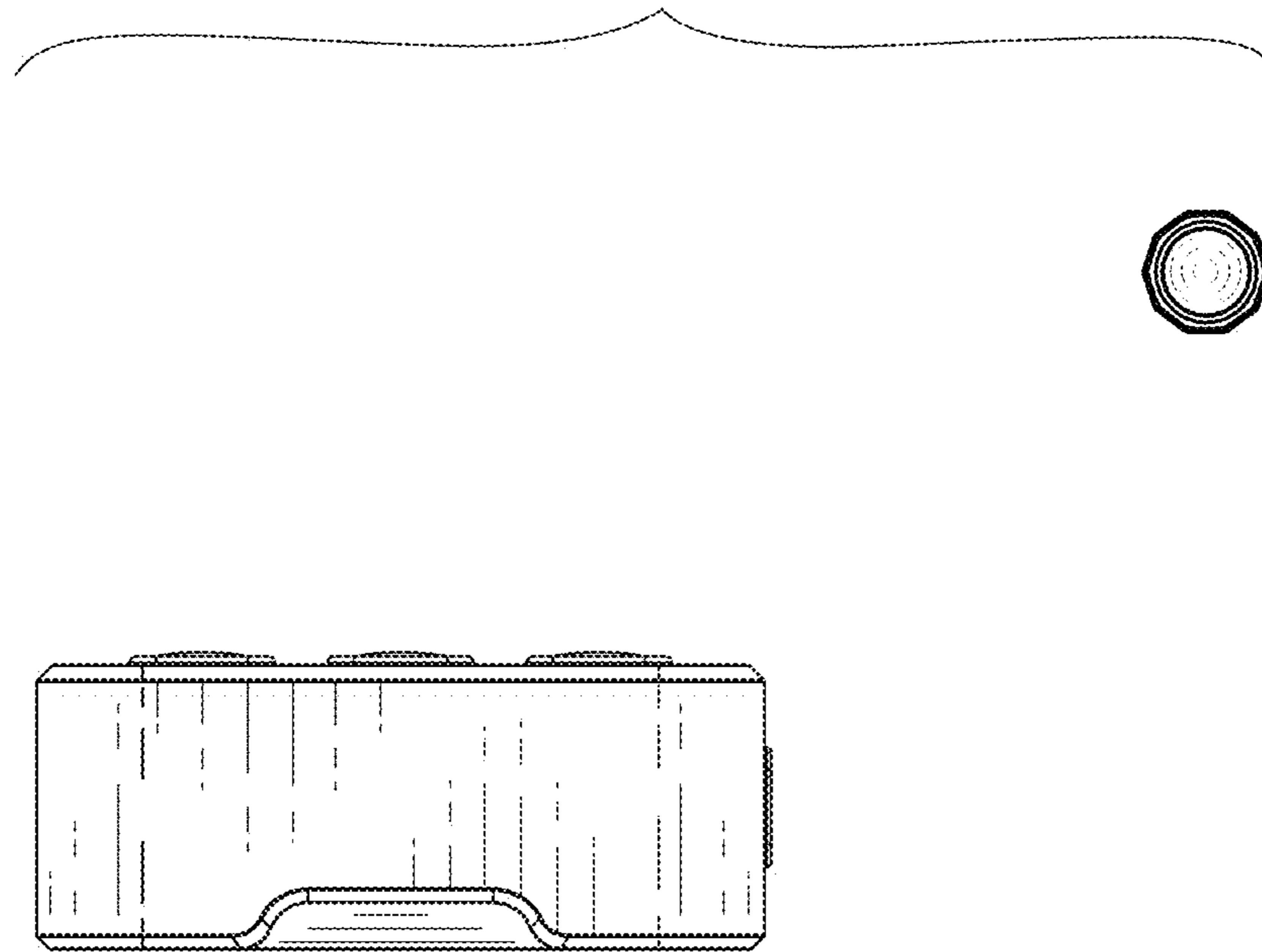


FIG. 3

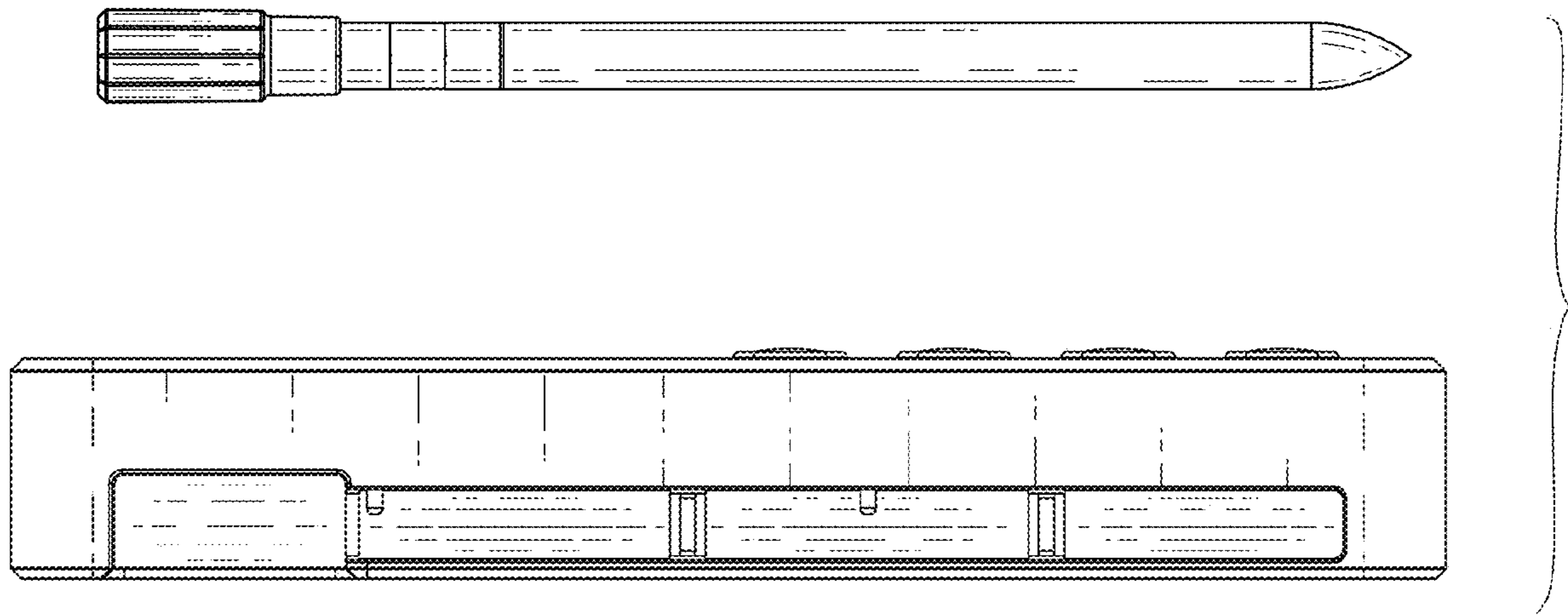


FIG. 4

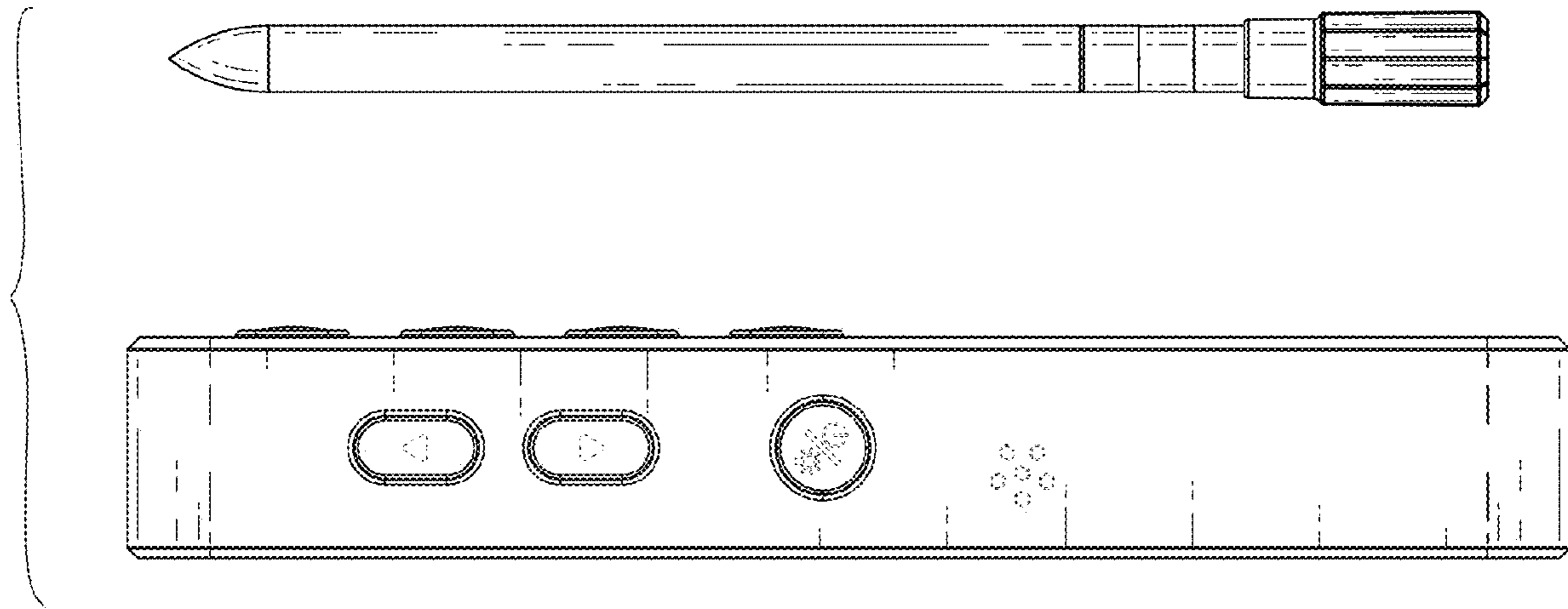


FIG. 5

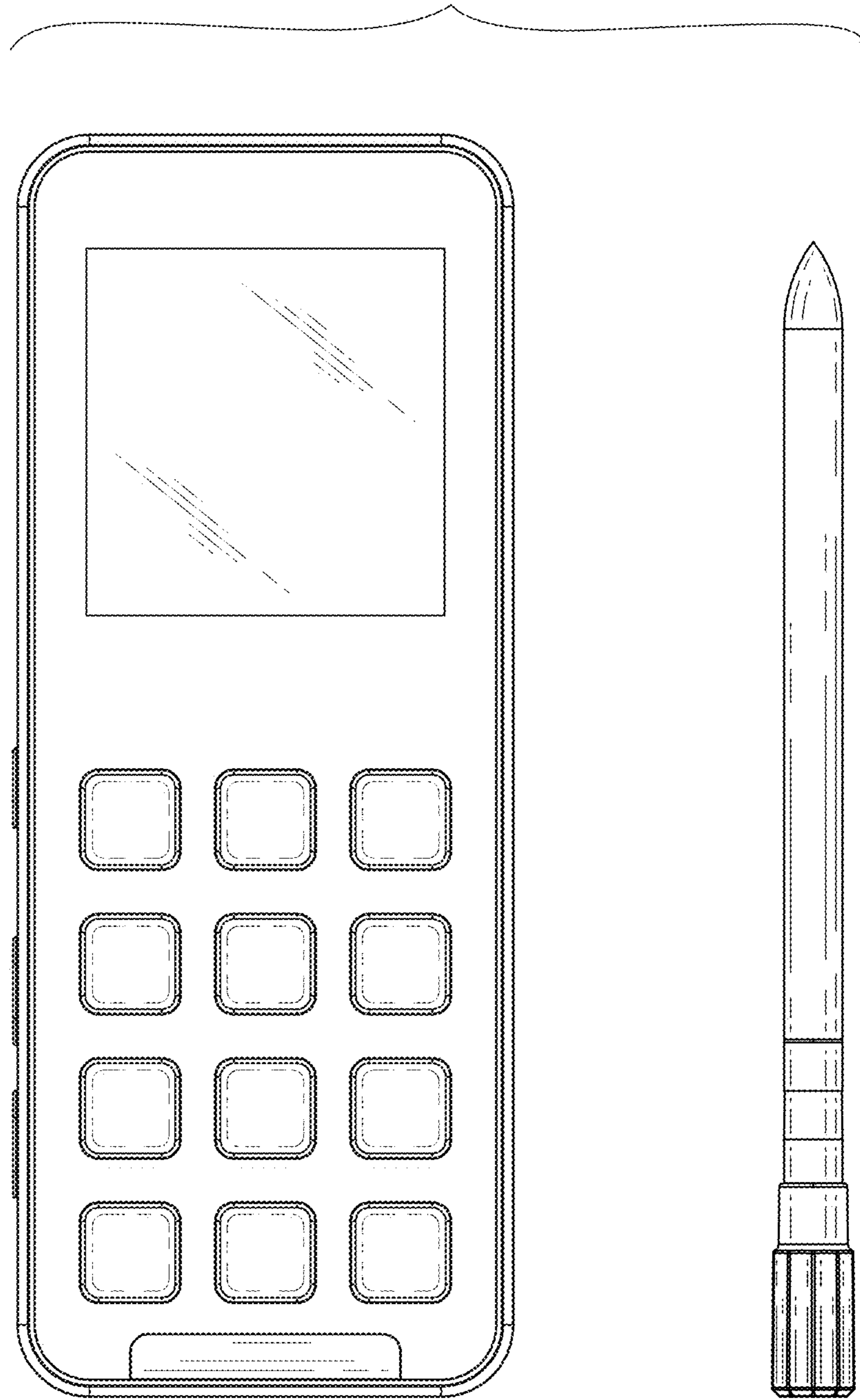


FIG. 6

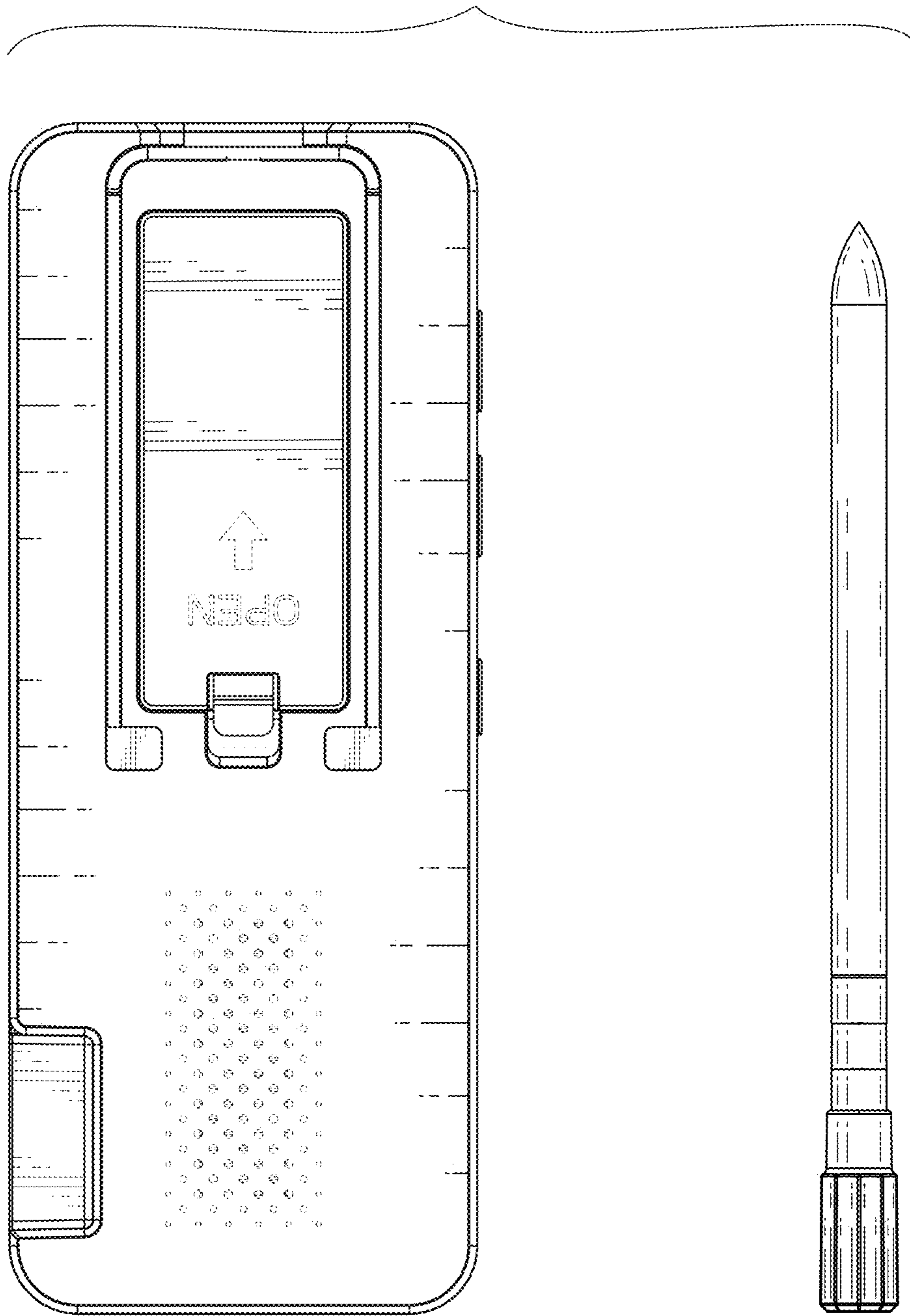


FIG. 7

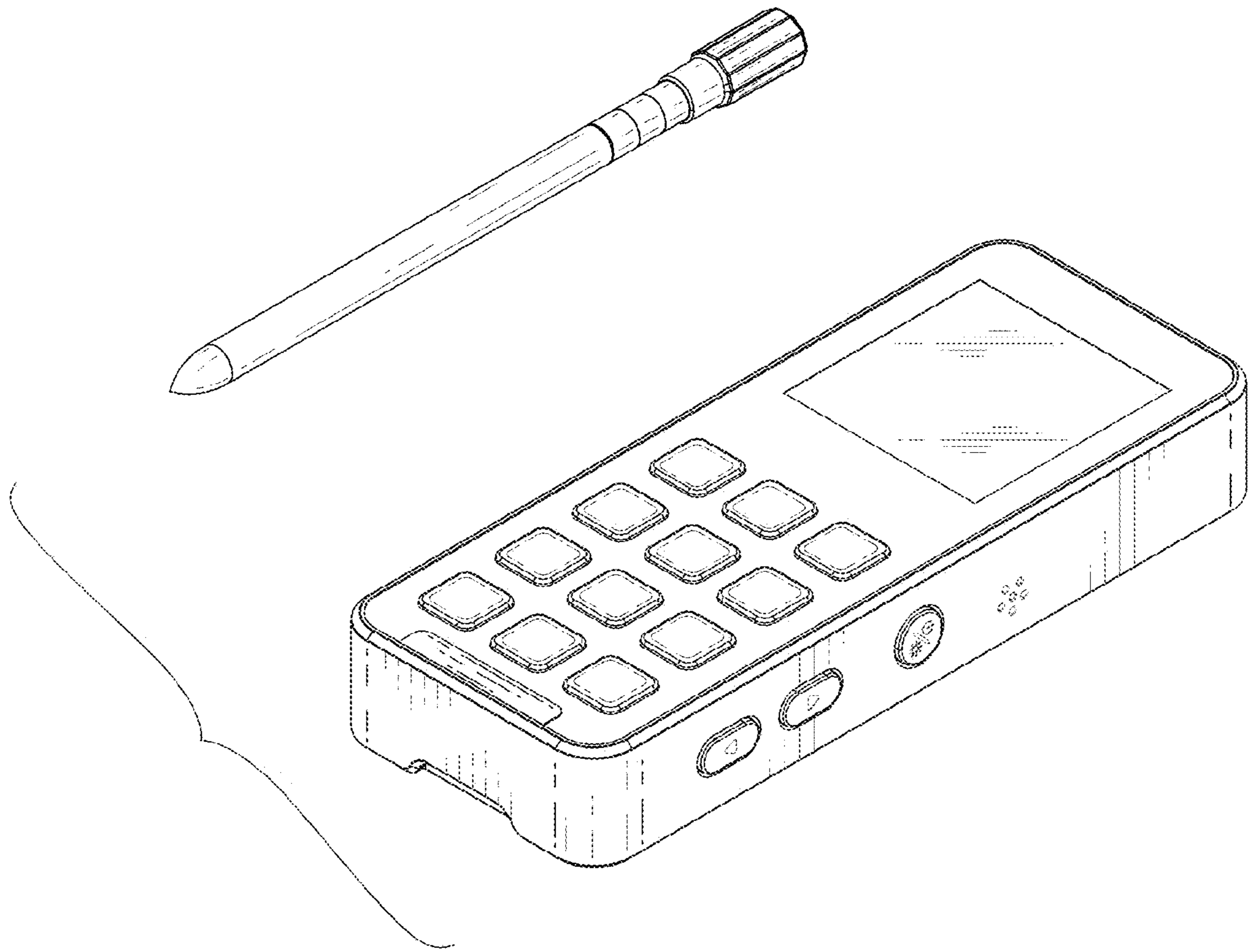


FIG. 8

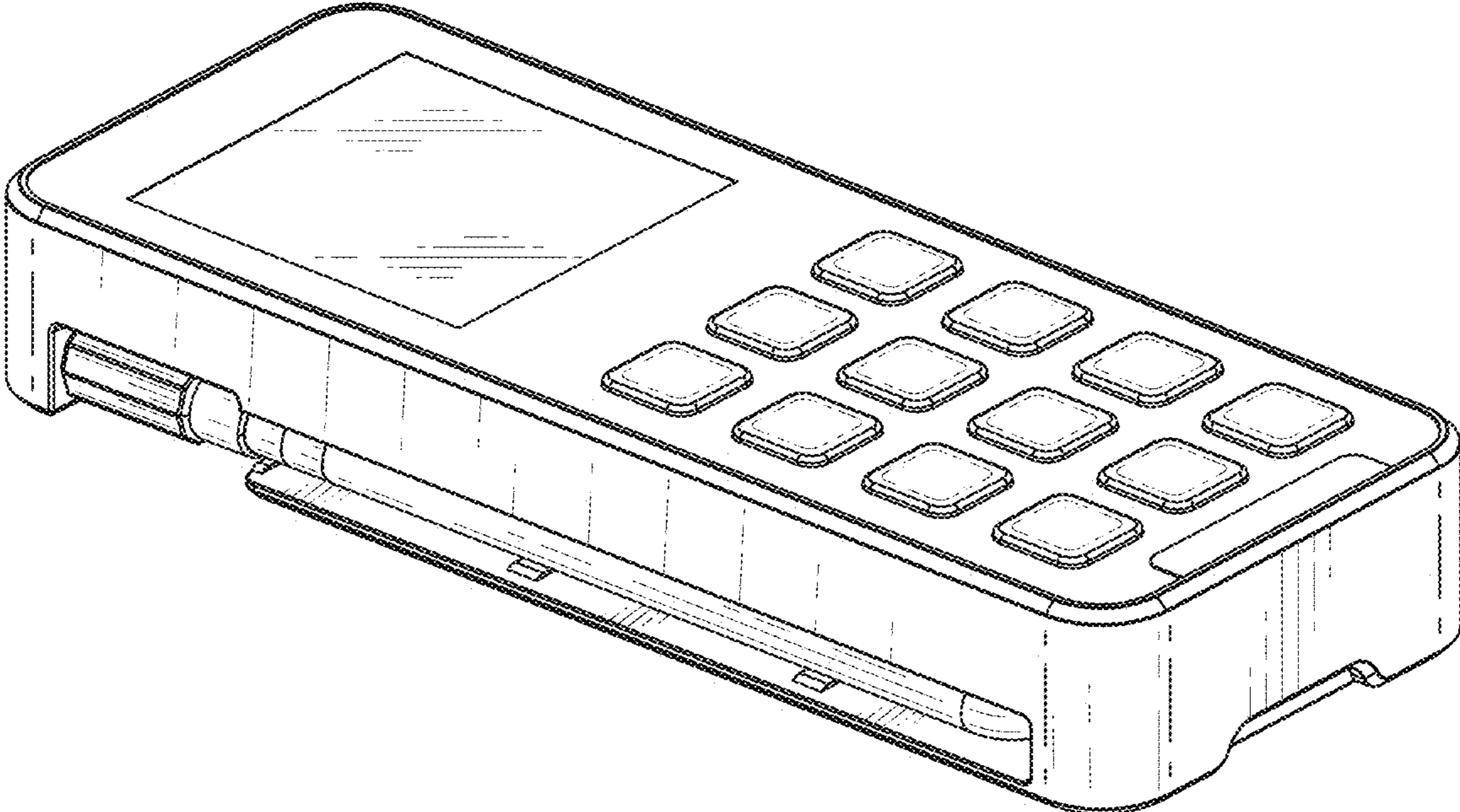


FIG. 9

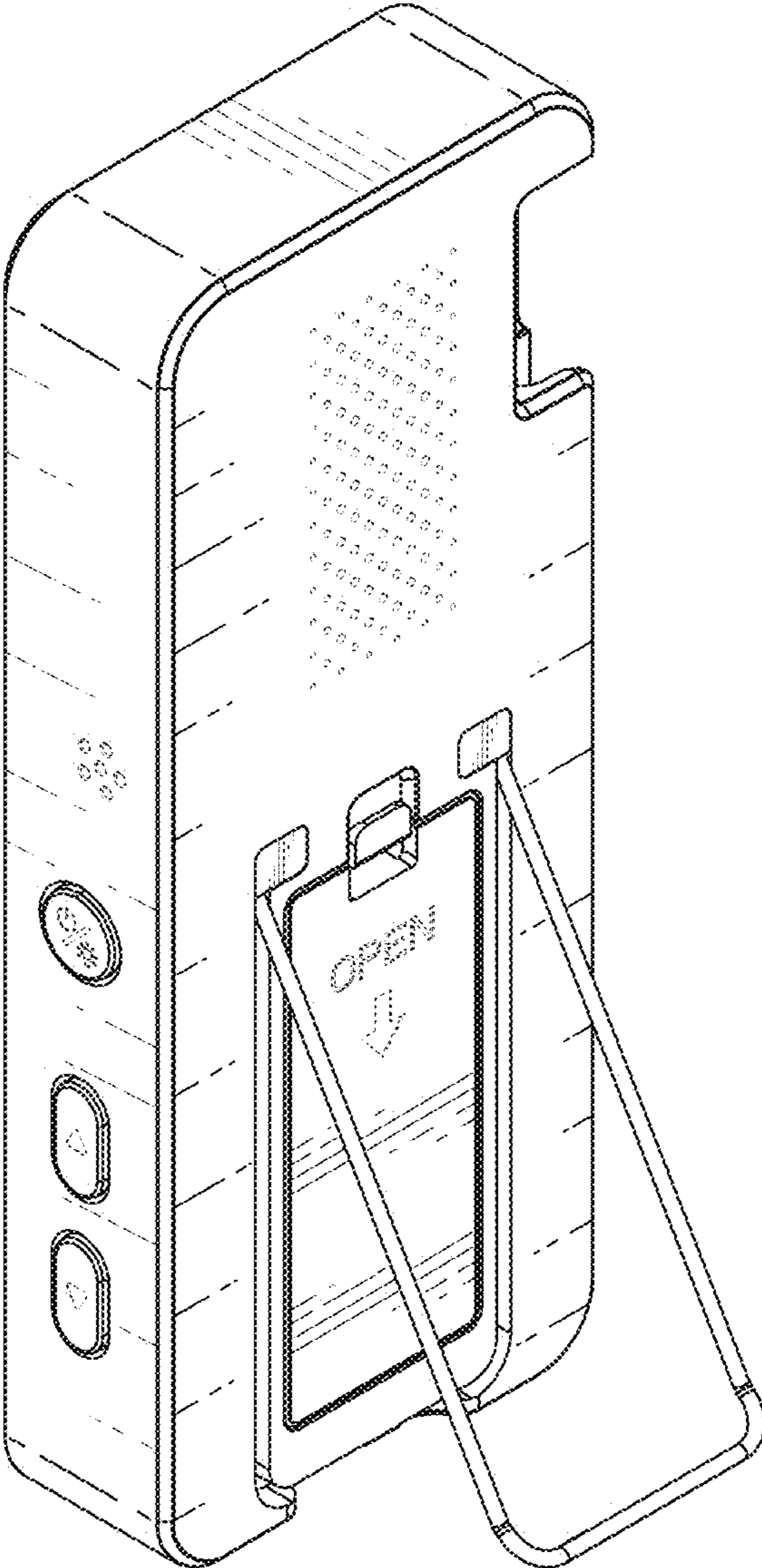


FIG. 10

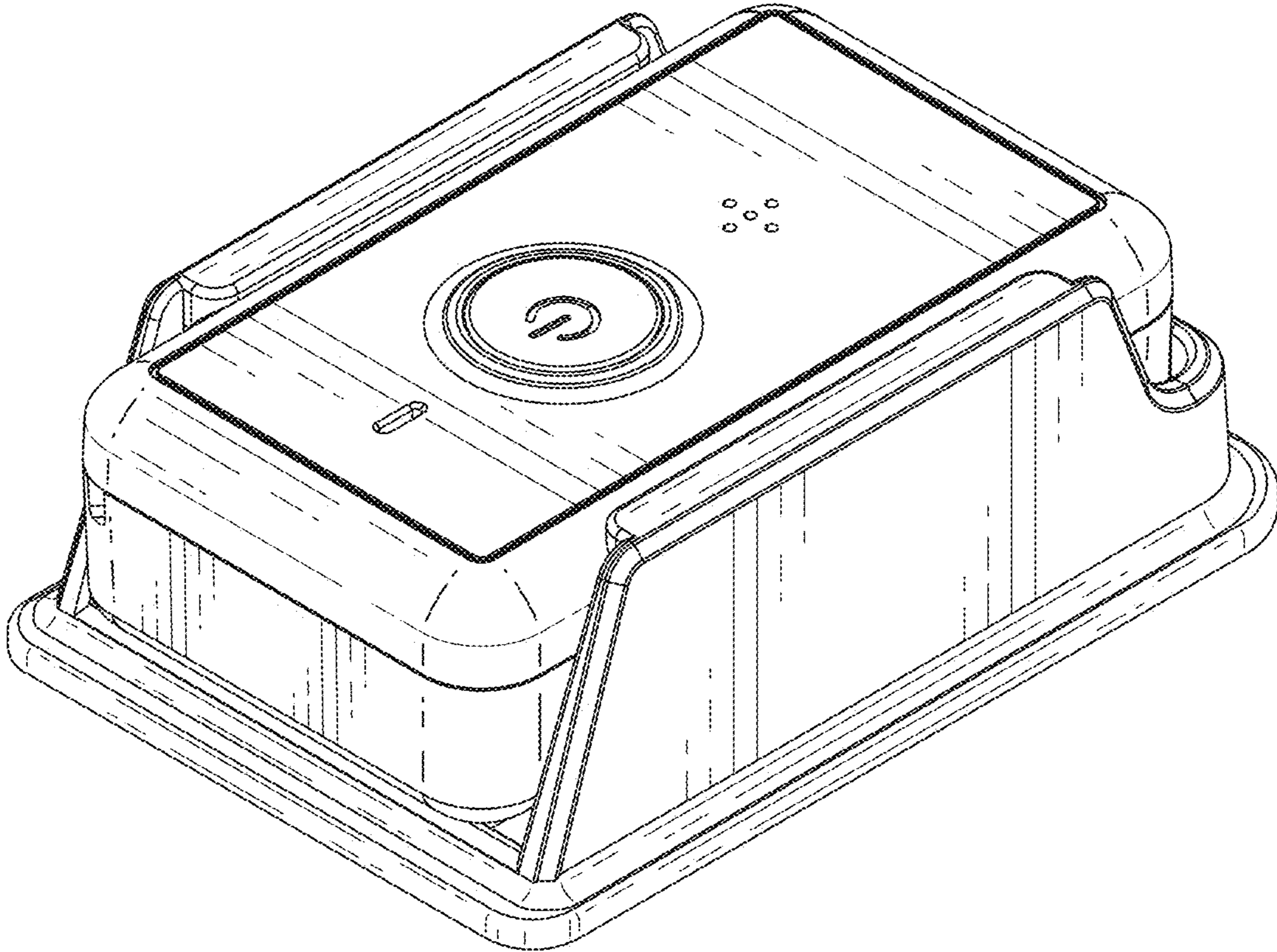


FIG. 11

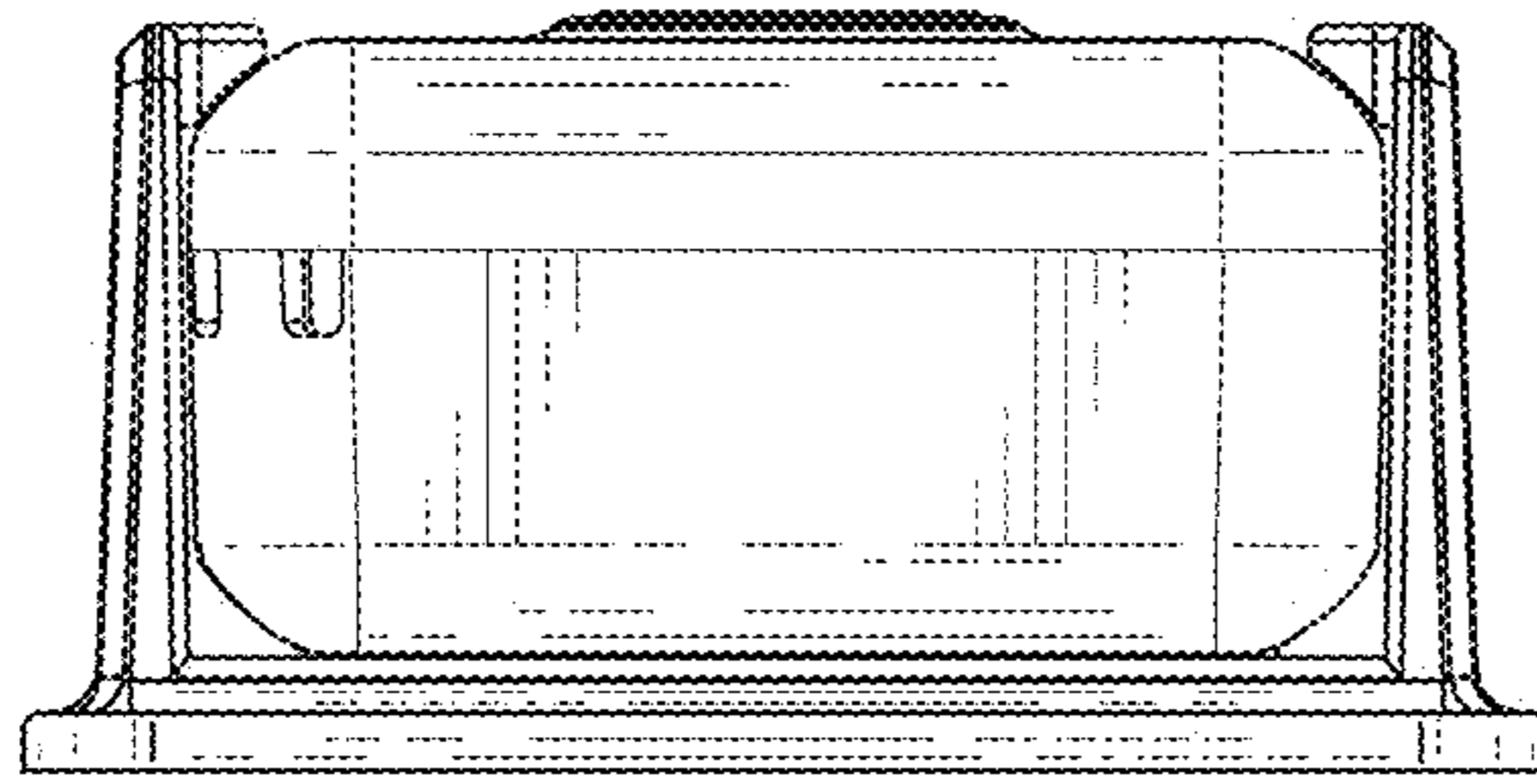


FIG. 12

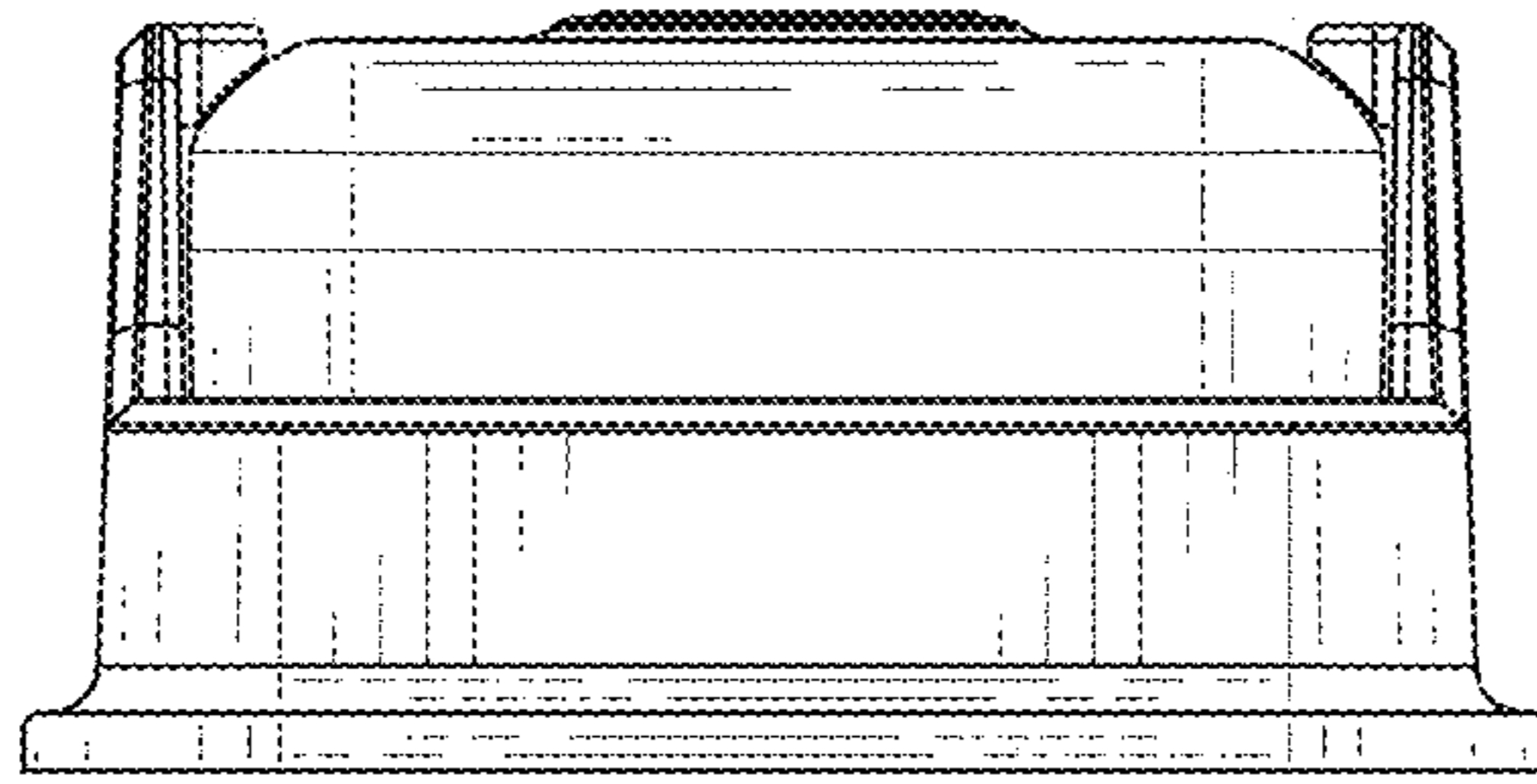


FIG. 13

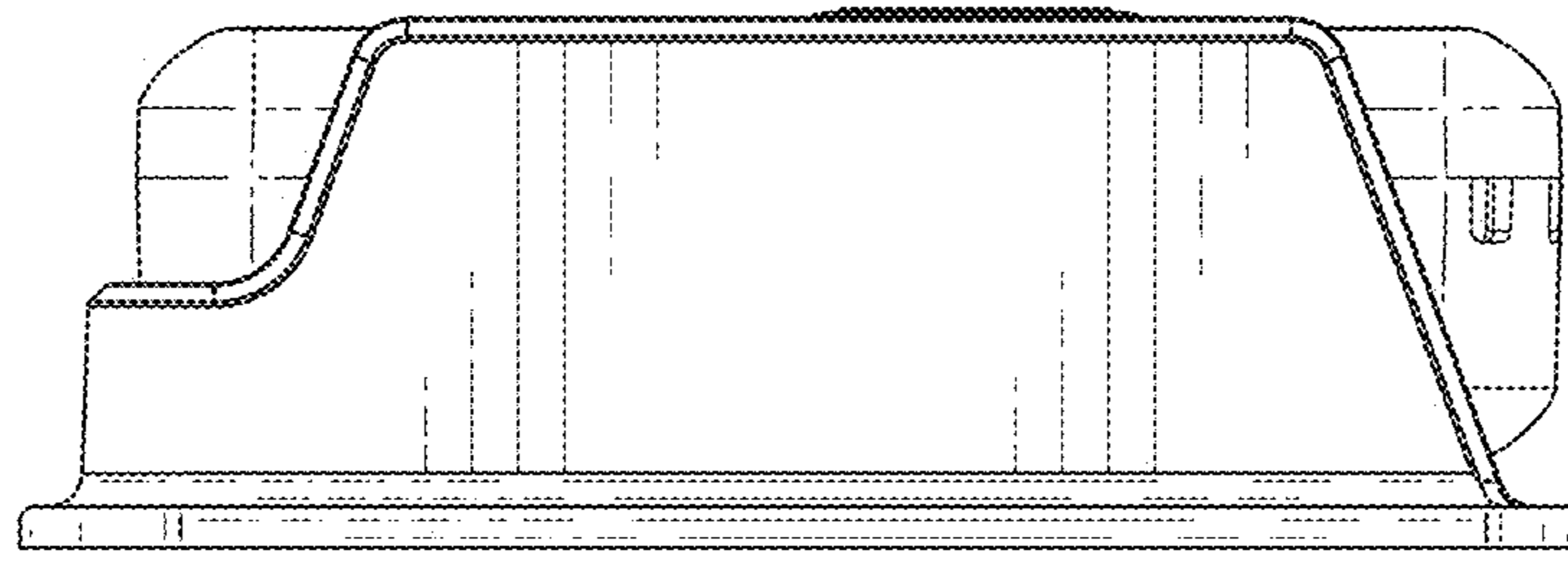


FIG. 14

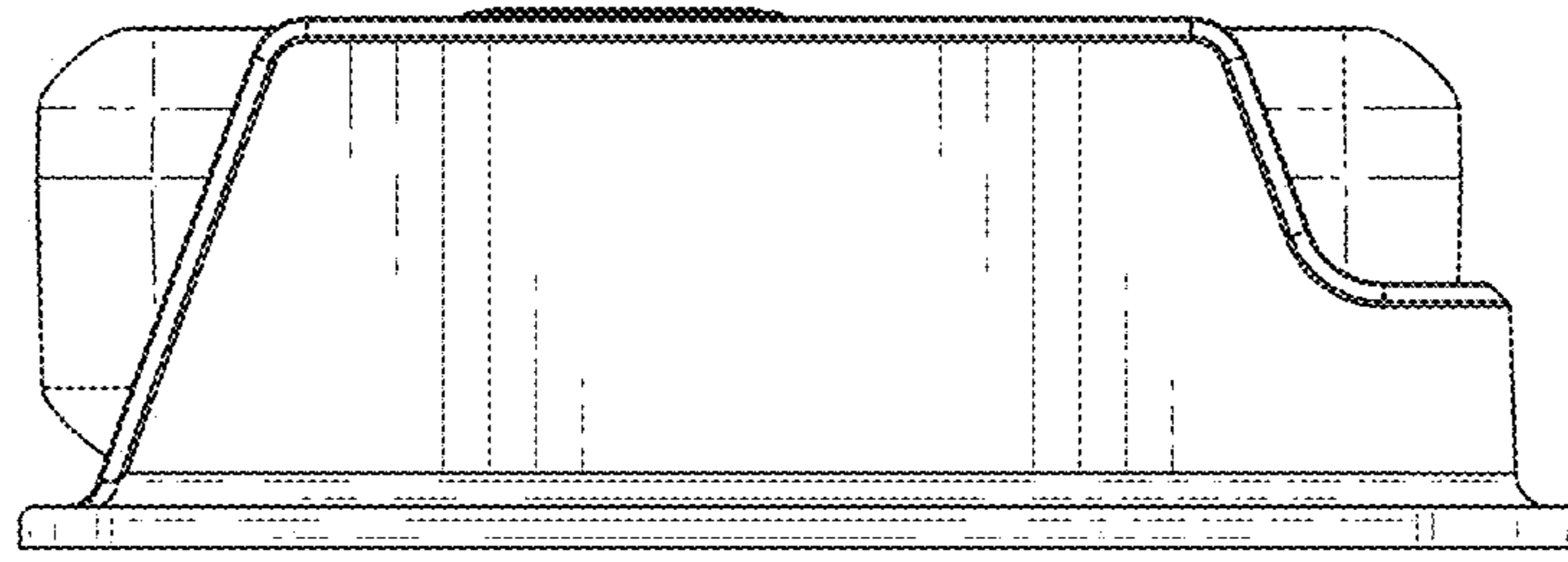


FIG. 15

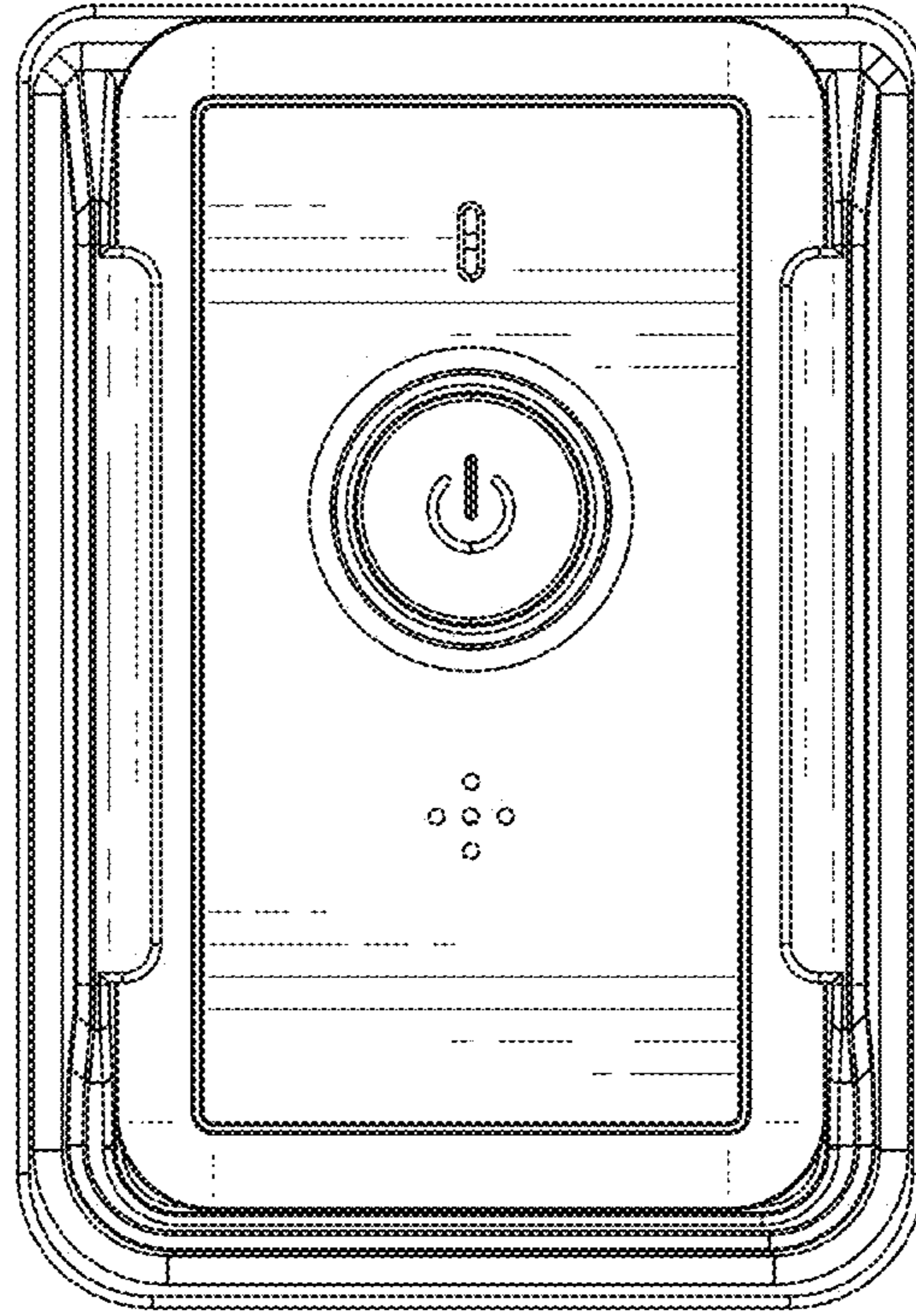


FIG. 16

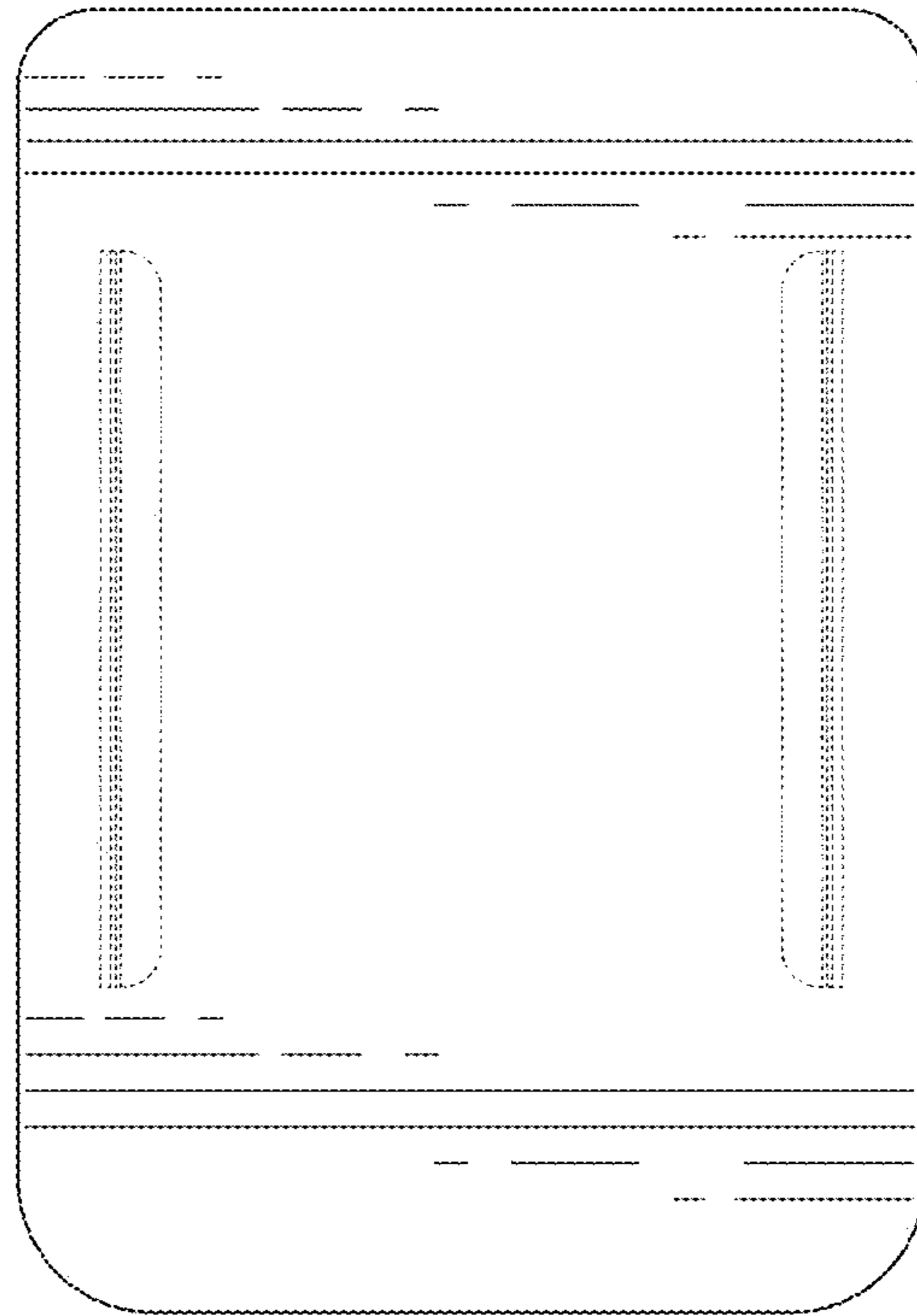


FIG. 17

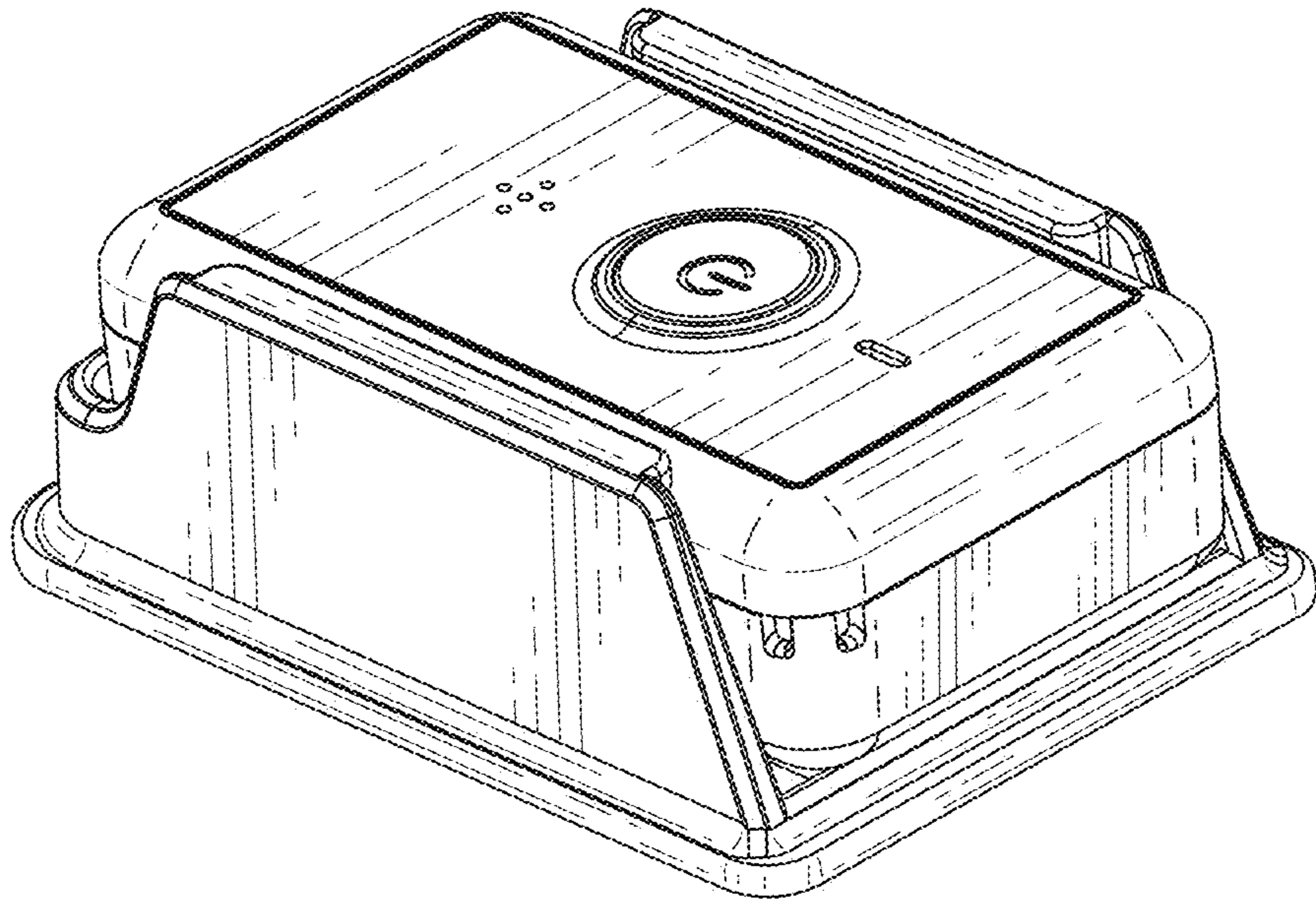


FIG. 18

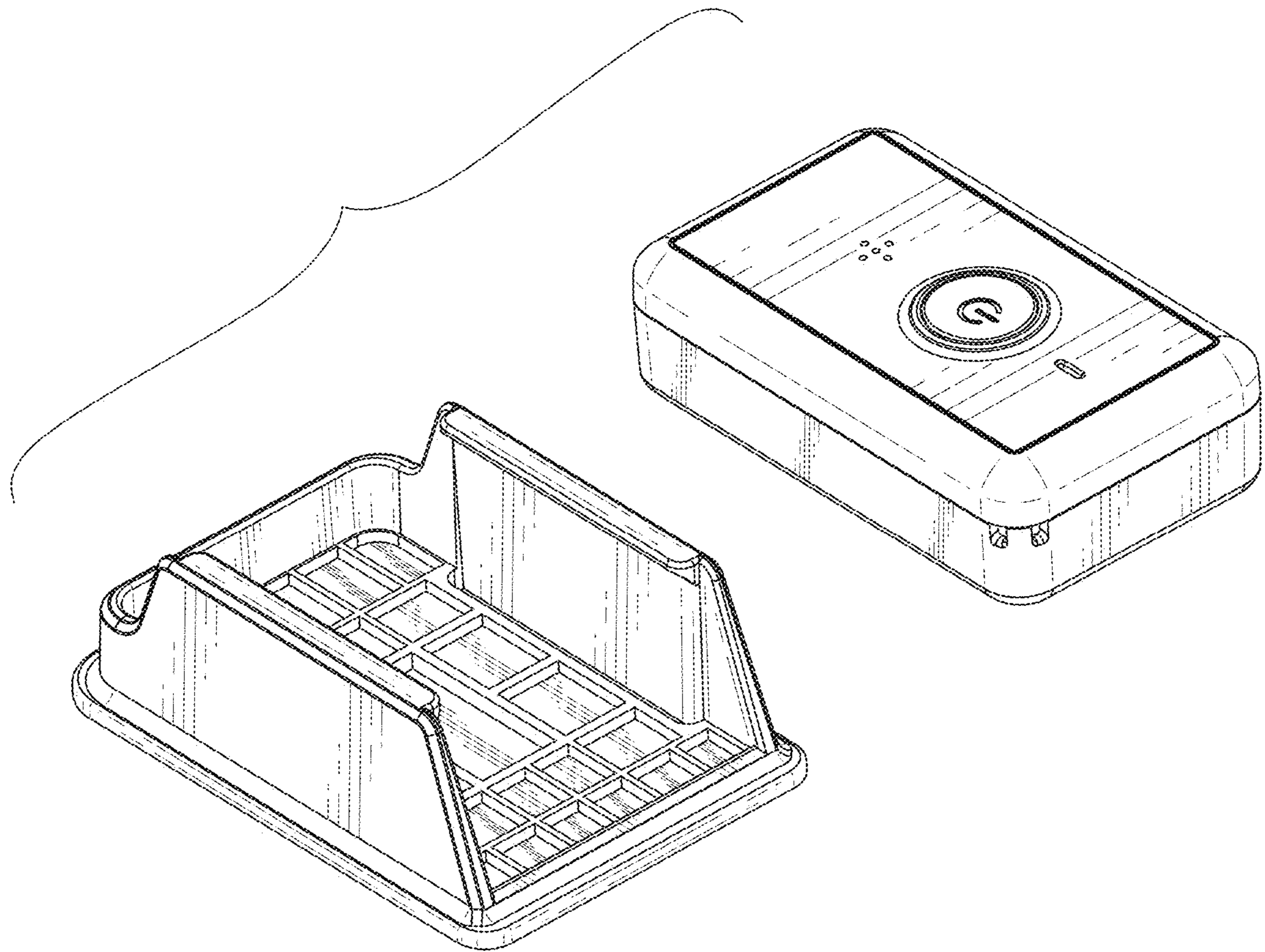


FIG. 19

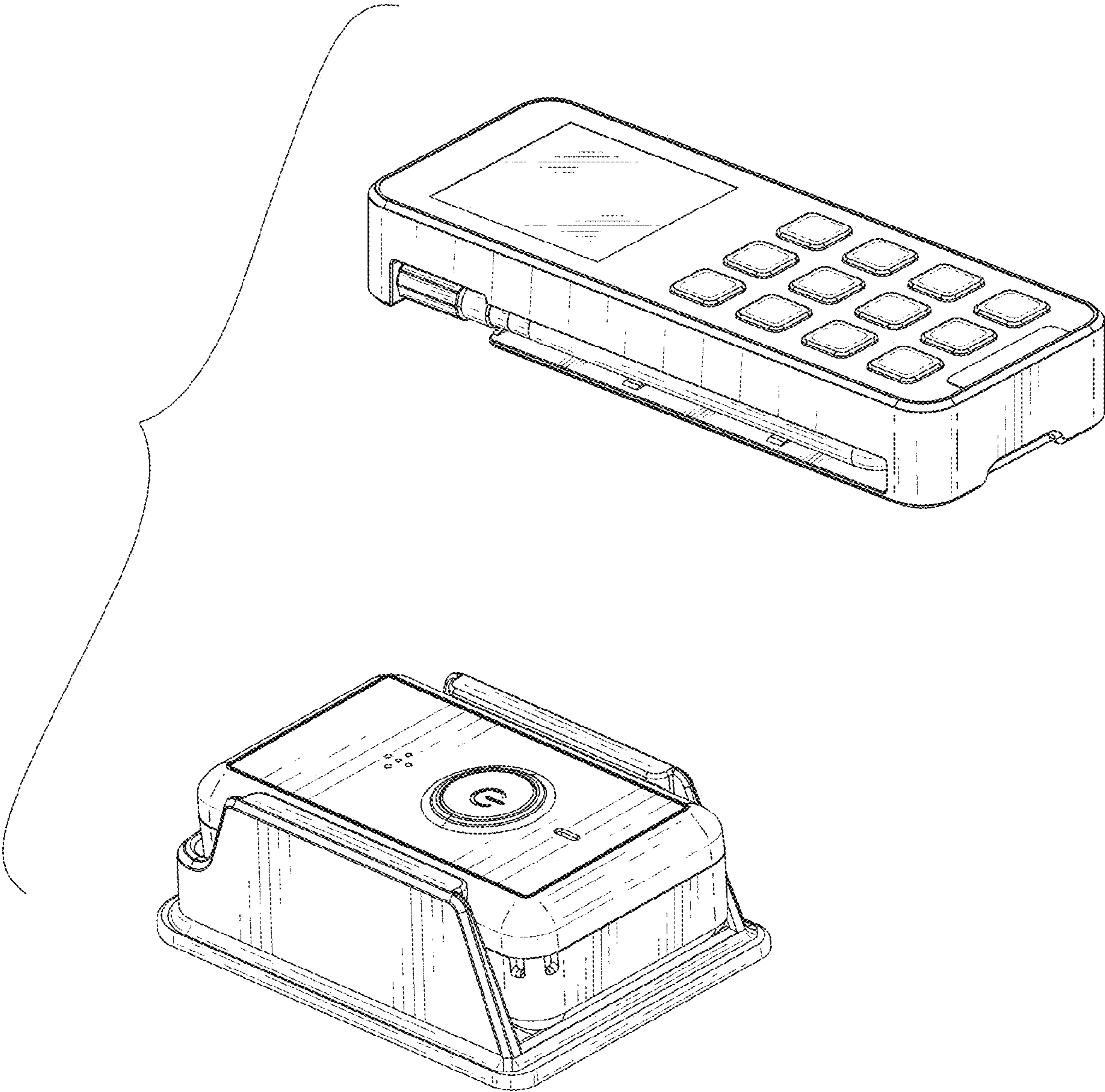


FIG. 20

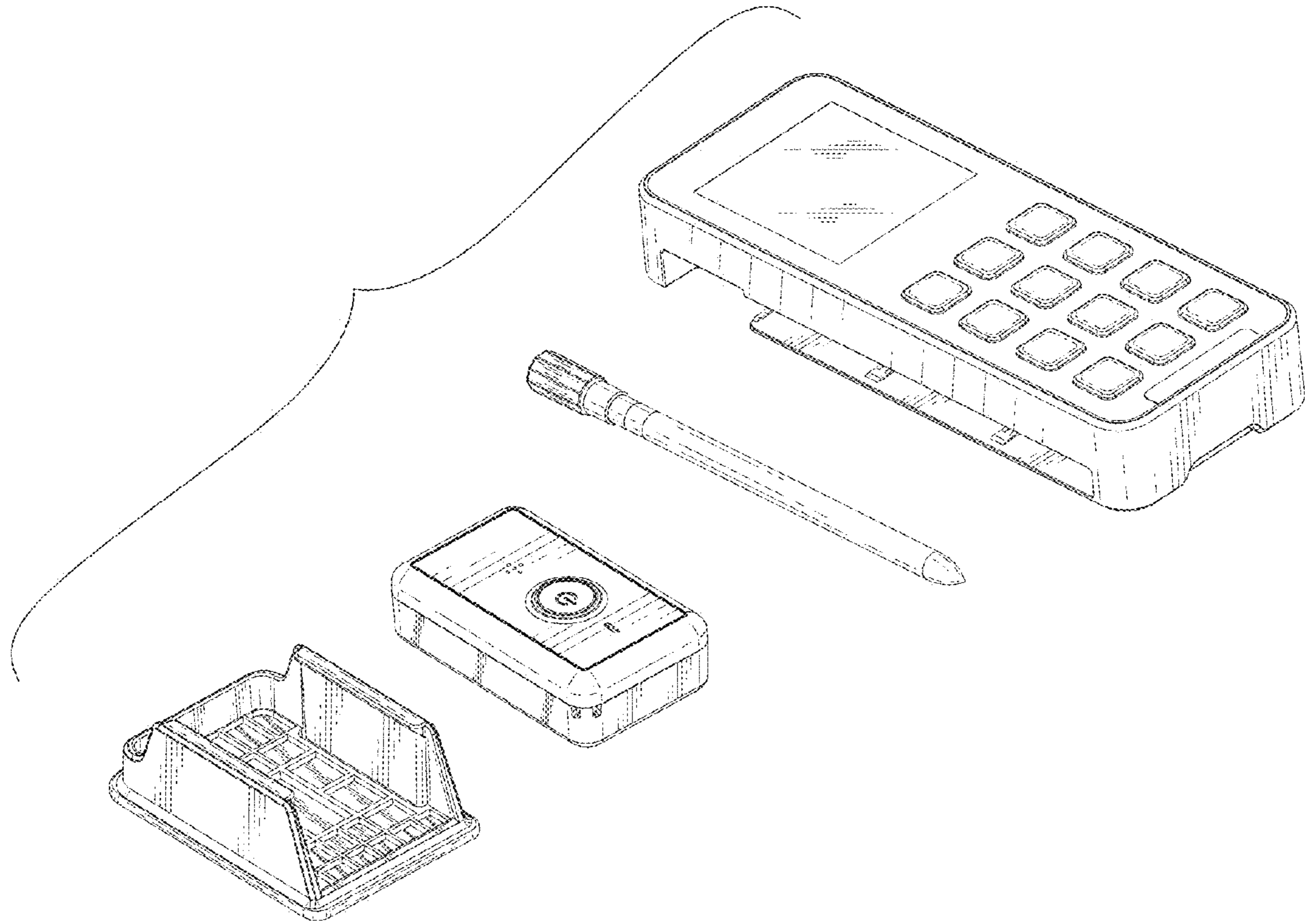


FIG. 21