



US00D975552S

(12) **United States Design Patent** (10) **Patent No.:** **US D975,552 S**  
**Yi et al.** (45) **Date of Patent:** **\*\* \*Jan. 17, 2023**

(54) **INFRARED THERMOMETER**  
(71) Applicant: **Shenzhen Jumper Medical Equipment Co., Ltd**, Guangdong (CN)  
(72) Inventors: **Hui Yi**, Guangdong (CN); **Feiyong Sun**, Guangdong (CN); **Zhiping Xian**, Guangdong (CN)  
(73) Assignee: **Shenzhen Jumper Medical Equipment Co., Ltd**, Guangdong (CN)  
(\*) Notice: This patent is subject to a terminal disclaimer.  
(\*\*) Term: **15 Years**  
(21) Appl. No.: **29/752,708**  
(22) Filed: **Sep. 29, 2020**  
(30) **Foreign Application Priority Data**  
Sep. 15, 2020 (CN) ..... 202030547518.3  
(51) **LOC (14) Cl.** ..... **10-04**  
(52) **U.S. Cl.**  
USPC ..... **D10/57**  
(58) **Field of Classification Search**  
USPC ..... D10/57, 60  
CPC ..... G01J 5/0011; G01J 5/0025; G01J 5/0265;  
G01J 5/04; A61B 5/01; A61B 5/6817;  
G01K 13/20  
See application file for complete search history.

D916,603 S \* 4/2021 Lim ..... D10/57  
D919,455 S \* 5/2021 Yin ..... D10/57  
D919,456 S \* 5/2021 Yin ..... D10/57  
D926,603 S \* 8/2021 Wang ..... D10/57  
D931,742 S \* 9/2021 Dai ..... D10/57  
D932,323 S \* 10/2021 Dai ..... D10/57

**OTHER PUBLICATIONS**

Contactless Thermometer R1650, announced in Facebook on date Apr. 30, 2020, site visited May 4, 2022. Available from the internet URL: <<https://www.facebook.com/Direct1Stationery/>>. (Year: 2020).  
Care Touch Digital Thermometer, available on Amazon on date Mar. 31, 2020, site visited May 4, 2022. Available from the internet URL: <<https://www.amazon.com/dp/B086MSKCFL>>. (Year: 2020).  
Purea Forehead Thermometer, available on Amazon on date Jun. 5, 2020, site visited May 4, 2022. Available from the internet URL: <<https://www.amazon.com/dp/B0883FG9ZR>>. (Year: 2020).\*

\* cited by examiner

*Primary Examiner* — George D. Kirschbaum  
*Assistant Examiner* — Lillian Windham  
(74) *Attorney, Agent, or Firm* — ScienBiziP, P.C.

(57) **CLAIM**

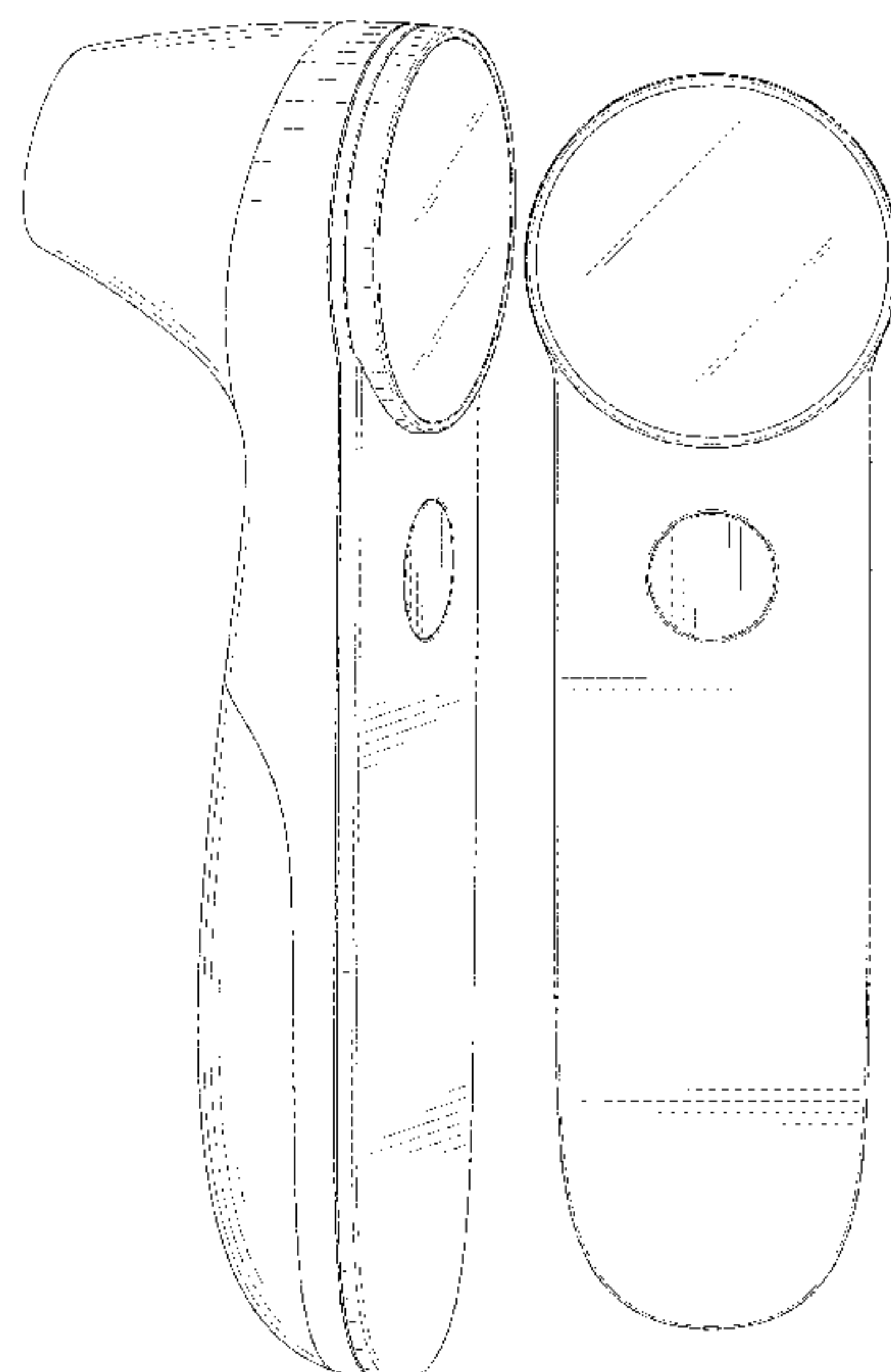
The ornamental design for an infrared thermometer, as shown and described.

**DESCRIPTION**

FIG. 1 is a front and left perspective view of an infrared thermometer, showing our design.  
FIG. 2 is a front elevation view thereof.  
FIG. 3 is a rear elevation view thereof.  
FIG. 4 is a left side elevation thereof.  
FIG. 5 is a right side elevation thereof.  
FIG. 6 is a top plan view thereof; and,  
FIG. 7 is a bottom plan view thereof.  
The broken lines in the drawings depict environmental structure and form no part of the claimed design.

**1 Claim, 7 Drawing Sheets**

(56) **References Cited**  
**U.S. PATENT DOCUMENTS**  
D445,699 S \* 7/2001 Lin ..... D10/57  
D693,247 S \* 11/2013 Juhng ..... D10/57  
D804,332 S \* 12/2017 Lim ..... D10/57  
D843,242 S \* 3/2019 Wang ..... D10/57  
D871,239 S \* 12/2019 Liang ..... D10/57  
D913,817 S \* 3/2021 Cao ..... D10/57



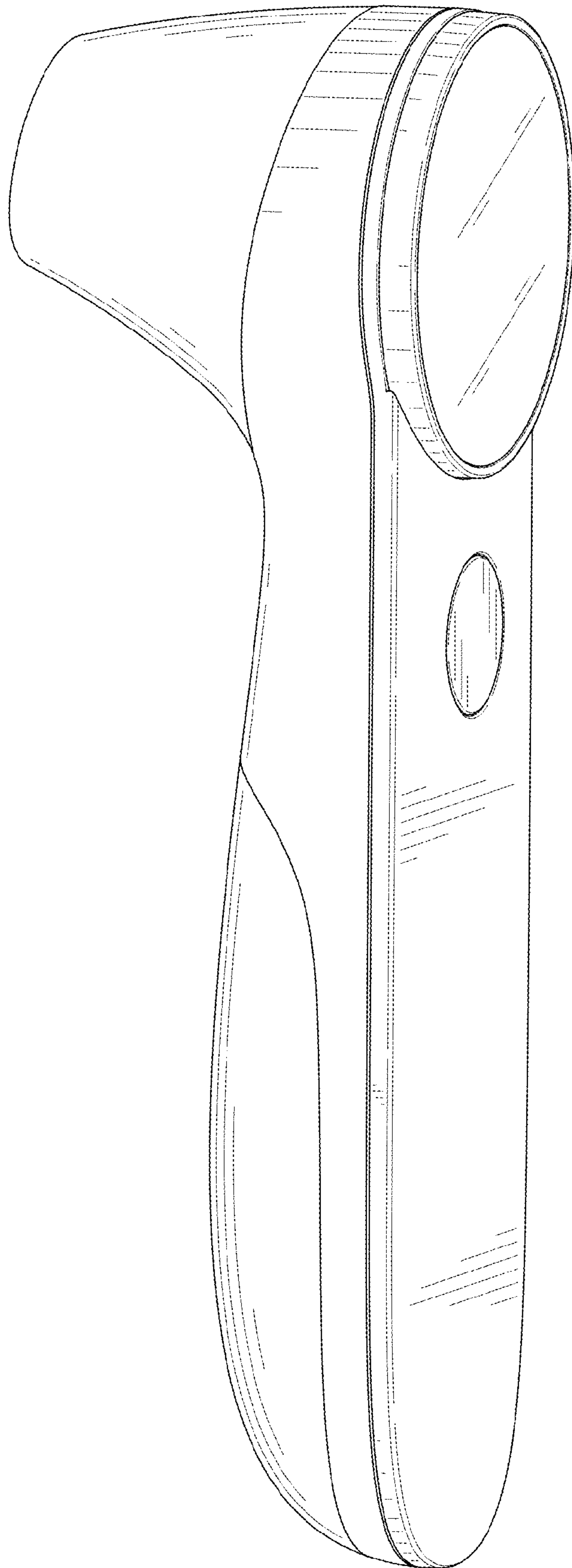


FIG. 1

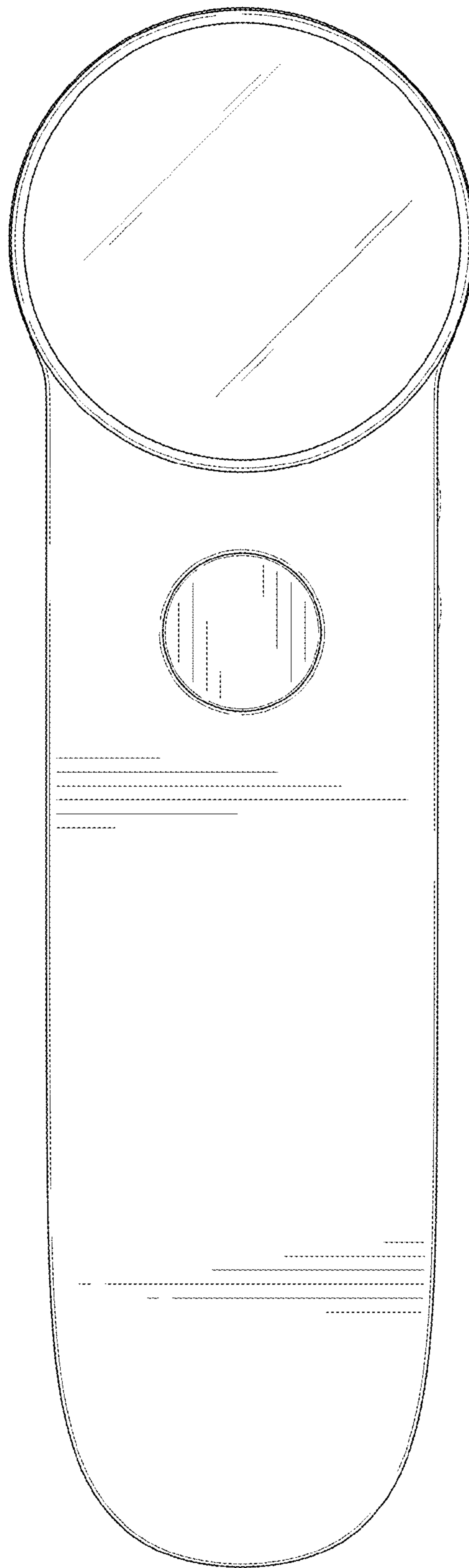


FIG. 2

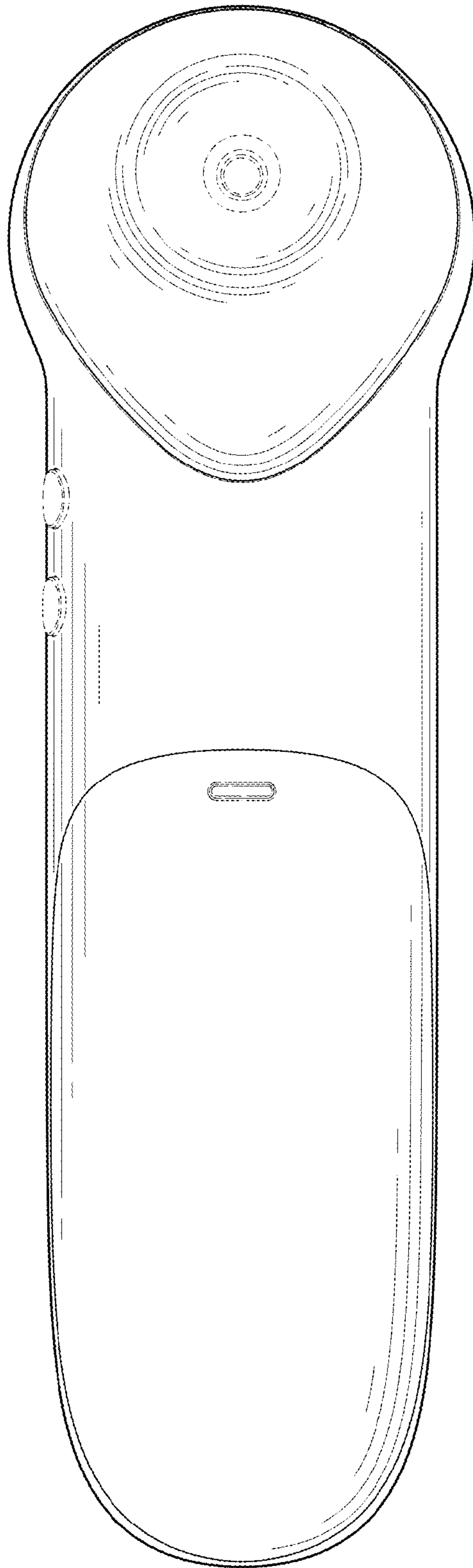


FIG. 3

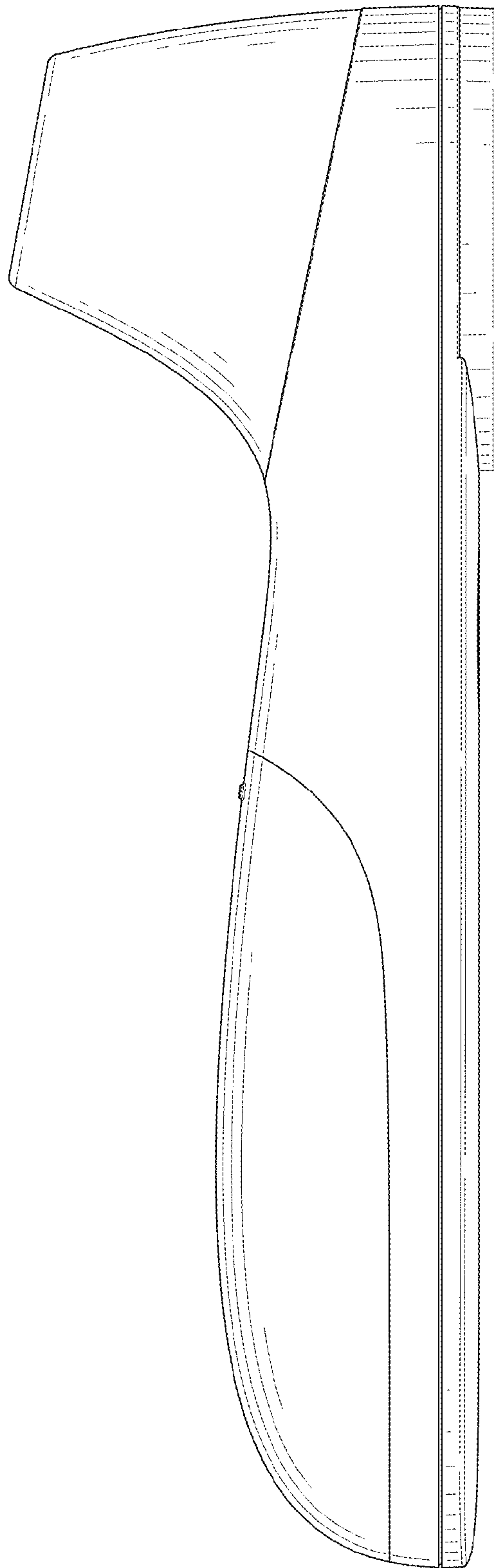


FIG. 4

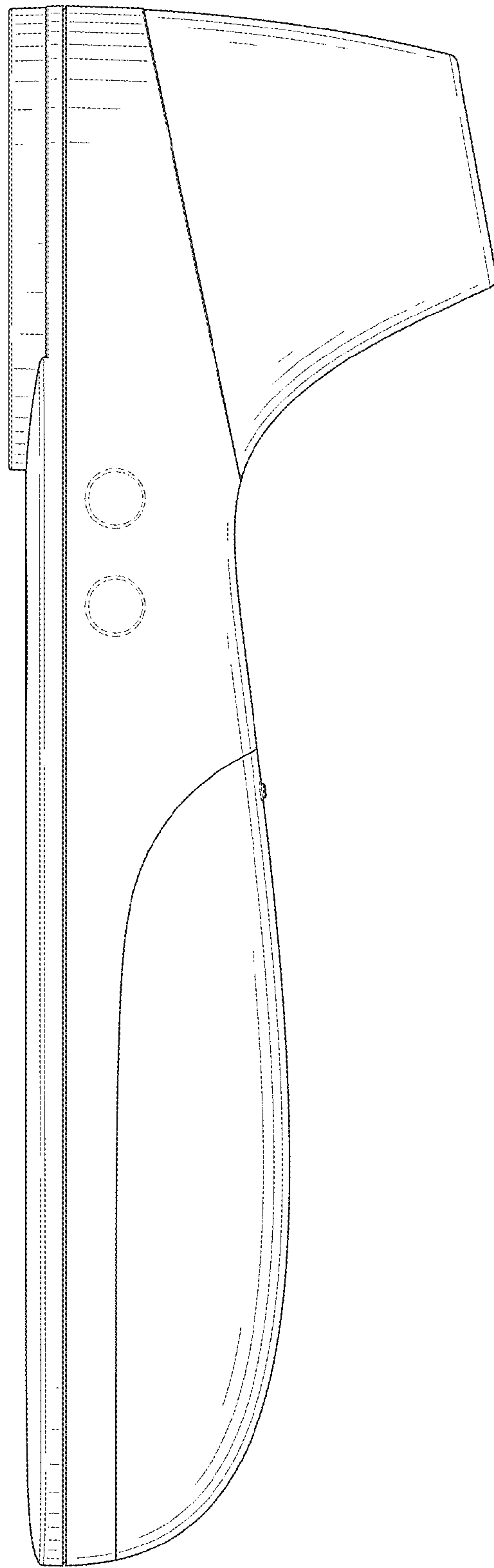


FIG. 5



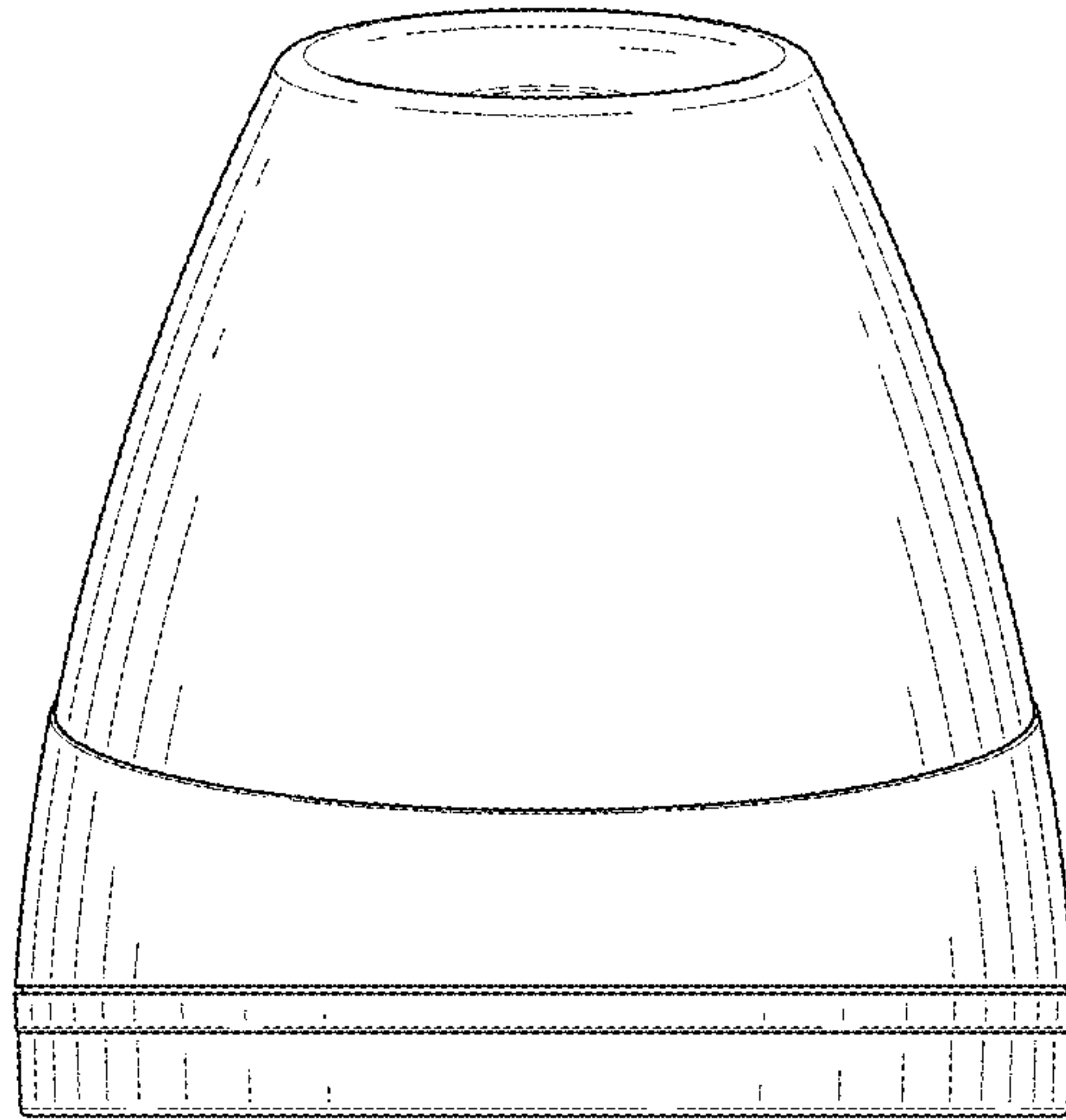


FIG. 6

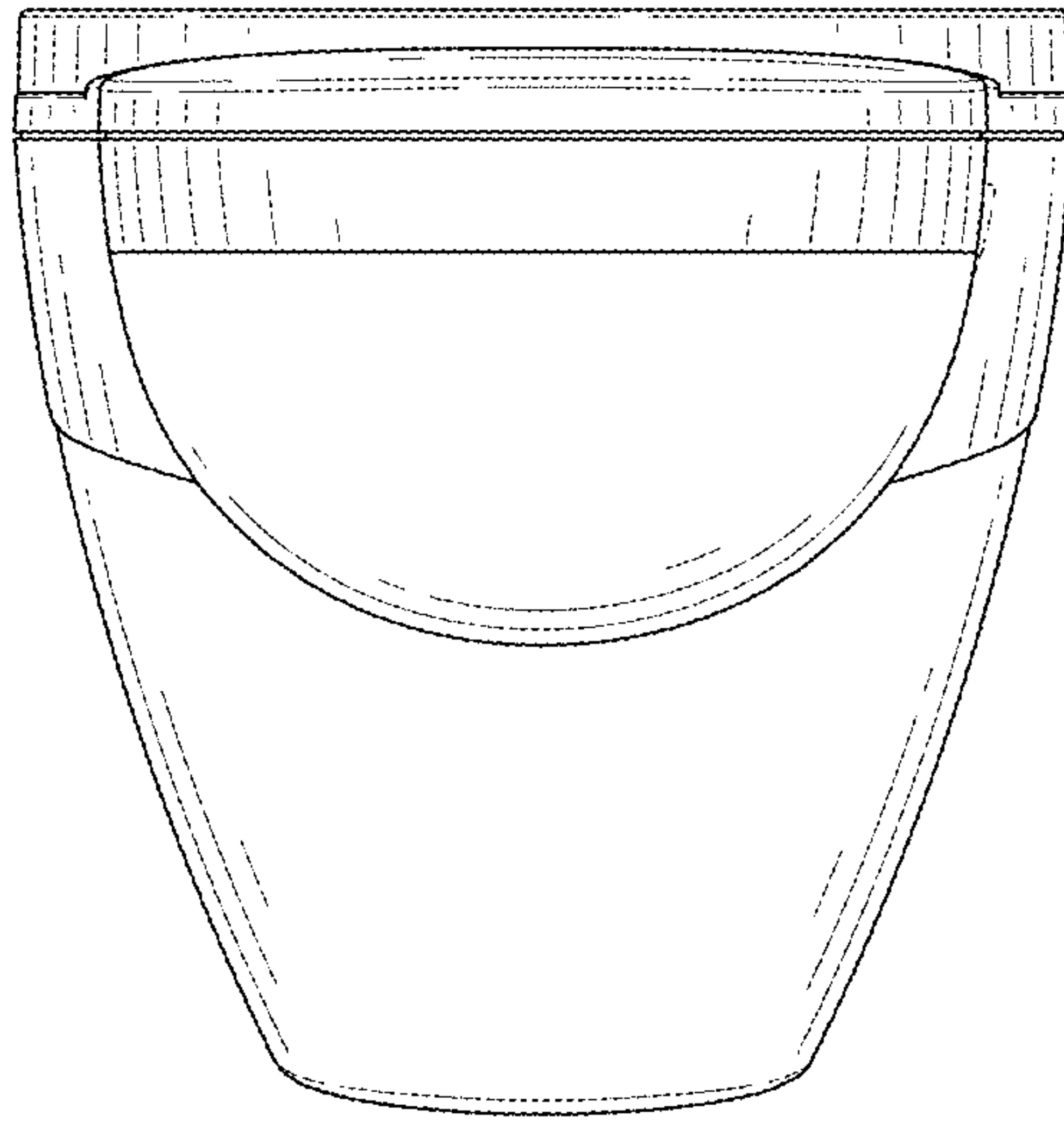


FIG. 7