



US00D975550S

(12) **United States Design Patent**  
**Gobert**

(10) **Patent No.:** **US D975,550 S**

(45) **Date of Patent:** **\*\* Jan. 17, 2023**

(54) **WATCH CASE**

(71) Applicant: **LVMH Swiss Manufactures SA**, La  
Chaux-de-Fonds (CH)

(72) Inventor: **Sebastien Gobert**, Neuchâtel (CH)

(\*\*) Term: **15 Years**

(21) Appl. No.: **35/512,660**

(22) Filed: **Mar. 30, 2021**

(80) **Hague Agreement Data**

Int. Filing Date: **Mar. 30, 2021**

Int. Reg. No.: **DM/213687**

Int. Reg. Date: **Mar. 30, 2021**

Int. Reg. Pub. Date: **Oct. 1, 2021**

(51) **LOC (14) Cl.** ..... **10-02**

(52) **U.S. Cl.**  
USPC ..... **D10/38**

(58) **Field of Classification Search**

USPC ..... D10/30-39, 122-132

CPC ..... G04B 19/00; G04B 19/02; G04B 19/025;

G04B 19/04; G04B 19/042; G04B 19/06;

G04B 19/065; G04B 19/08; G04B

19/085; G04B 19/087; G04B 37/00;

G04B 37/0058; G04B 37/14; G04B

37/1446; G04B 37/18; G04B 45/0046;

G04B 45/0069; G04B 45/0076; G04B

39/00; G04B 39/002; G04B 39/0004;

G04B 39/0006

See application file for complete search history.

(56) **References Cited**

**U.S. PATENT DOCUMENTS**

D565,971 S \* 4/2008 Peraldi ..... D10/39

D653,128 S \* 1/2012 Vaptzarof ..... D10/39

D705,084 S \* 5/2014 Emmenegger ..... D10/32

D717,181 S \* 11/2014 Vukcevic ..... D10/38

D832,720 S \* 11/2018 Macaluso ..... D10/39

D853,252 S \* 7/2019 Haugen ..... D10/39

D858,316 S \* 9/2019 Behling ..... D10/39

D879,624 S \* 3/2020 Behling ..... D10/38

D880,336 S \* 4/2020 Behling ..... D10/126

D887,864 S \* 6/2020 Perrenoud ..... D10/39

D921,496 S \* 6/2021 Behling ..... D10/39

**FOREIGN PATENT DOCUMENTS**

CN 113376998 A \* 9/2021 ..... G04B 37/0008

**OTHER PUBLICATIONS**

Introducing A Zenith High—R=Frequency Chronograph That Goes for Bold | hodinkee.com; posted Apr. 9, 2021 [online]. © [retrieved Aug. 19, 2022] from Internet: <<https://www.hodinkee.com/articles/zenith-defy-extreme-2021>> (Year: 2021).\*

\* cited by examiner

*Primary Examiner* — Katherine Glennon

(57) **CLAIM**

The ornamental design for a watch case, as shown and described.

**DESCRIPTION**

**1.1** is a front view of a watch case showing the new design;

**1.2** is a right side view thereof;

**1.3** is a left side view thereof;

**1.4** is a rear view thereof;

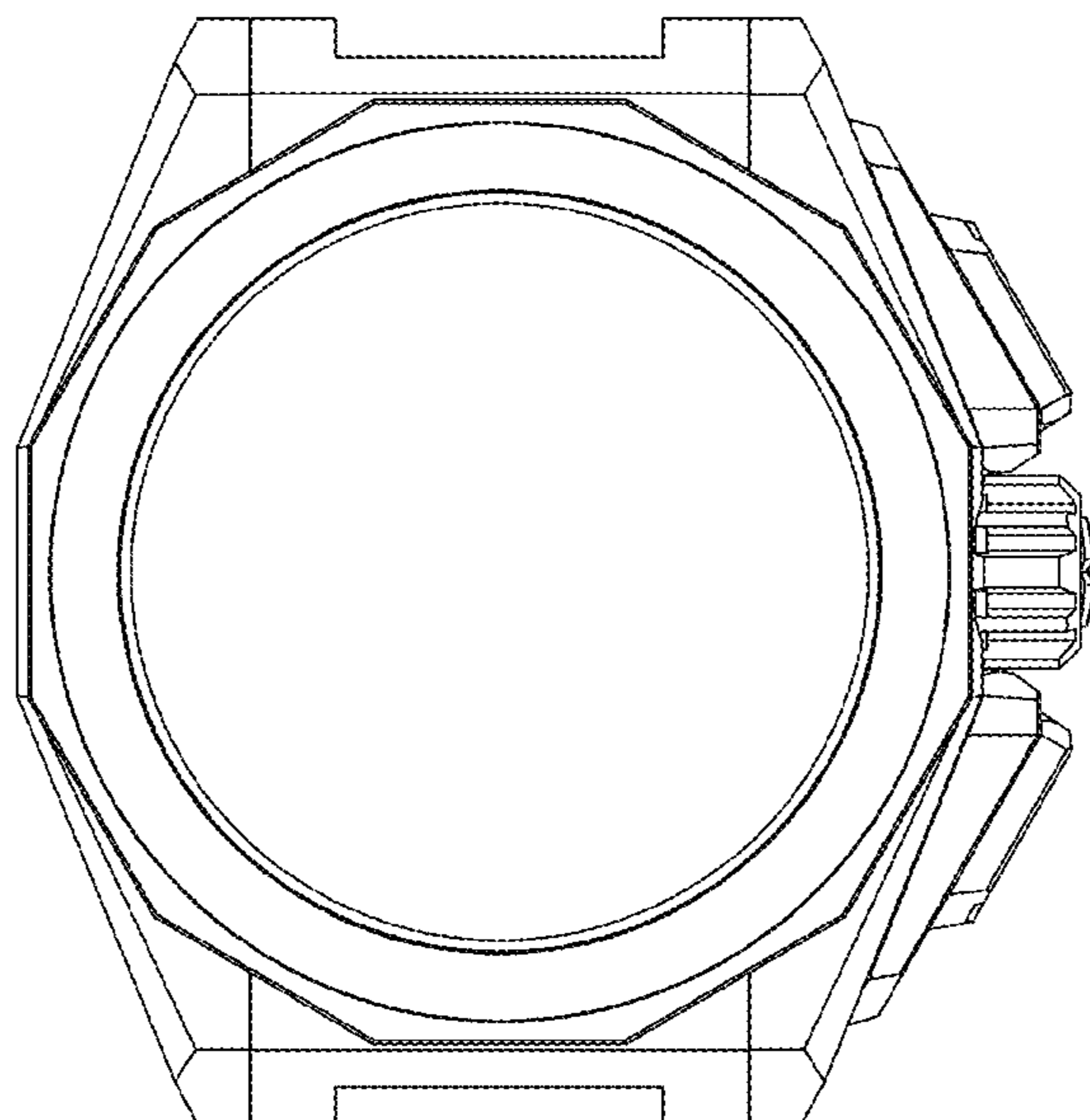
**1.5** is a bottom view thereof;

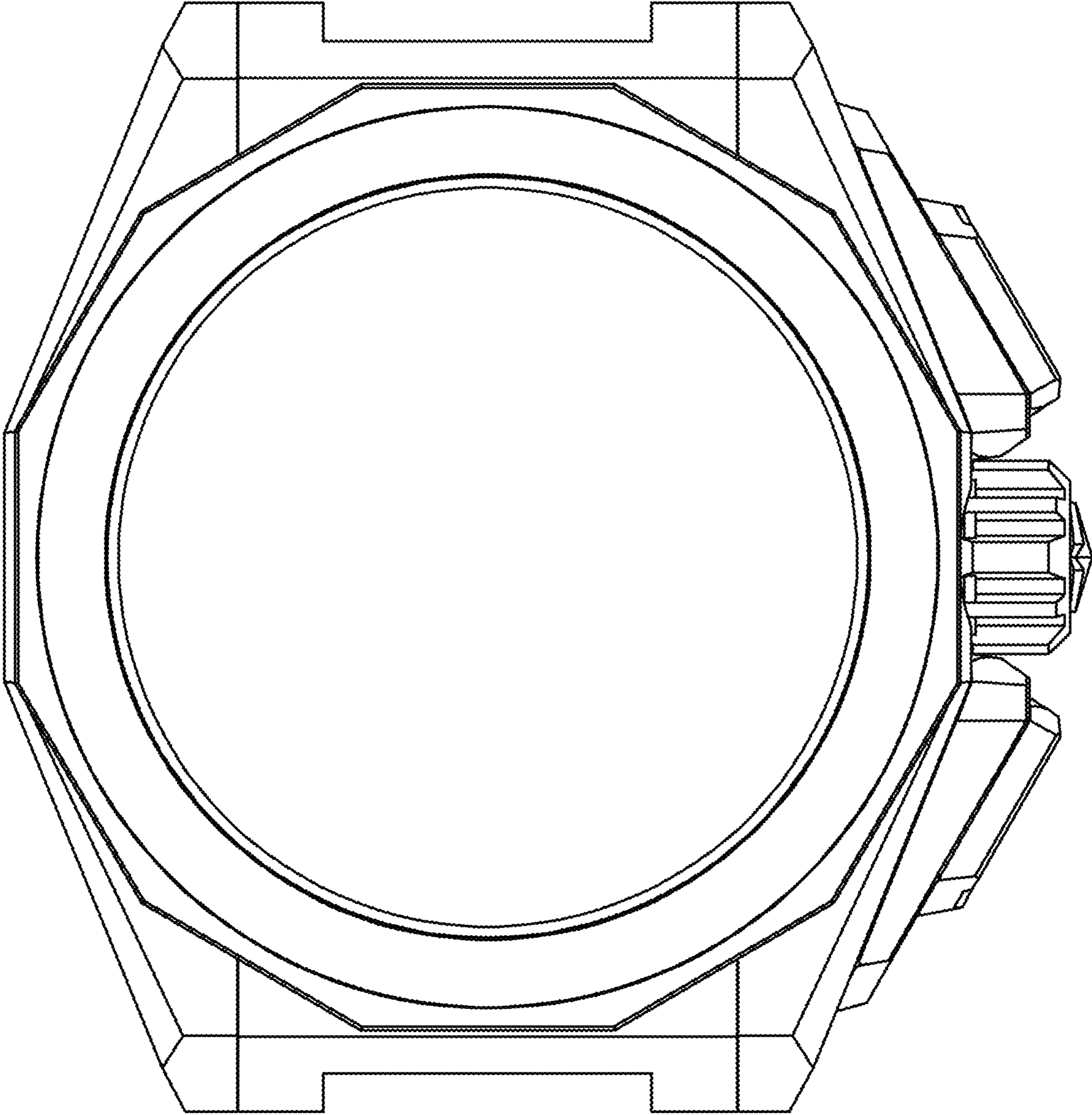
**1.6** is a top view thereof; and

**1.7** is a front, bottom, right side perspective view thereof.

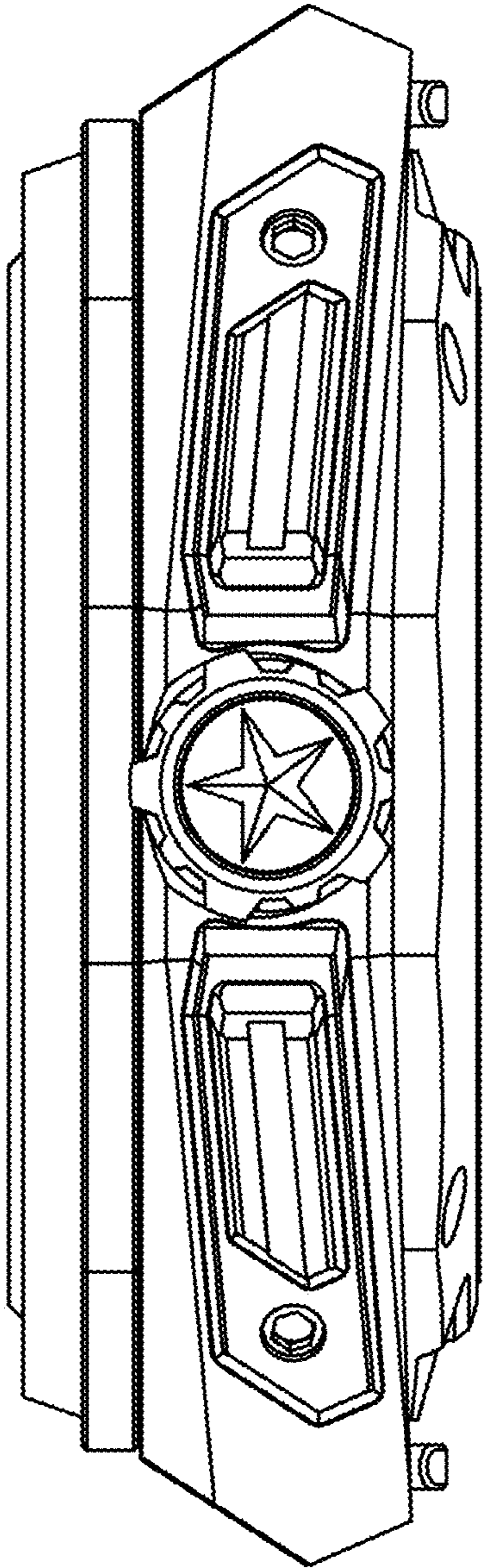
The broken line showing of strap attachment features in figures **1.5**, **1.6**, and **1.7** is for the purpose of illustrating environmental structure and forms no part of the claimed design.

**1 Claim, 5 Drawing Sheets**

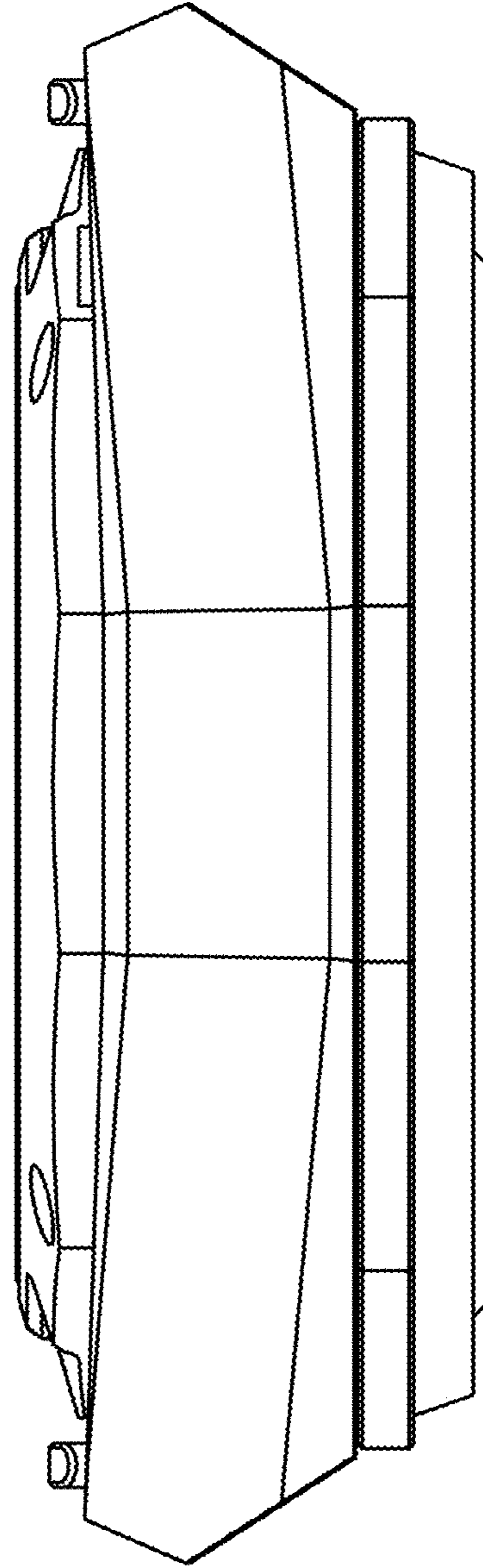




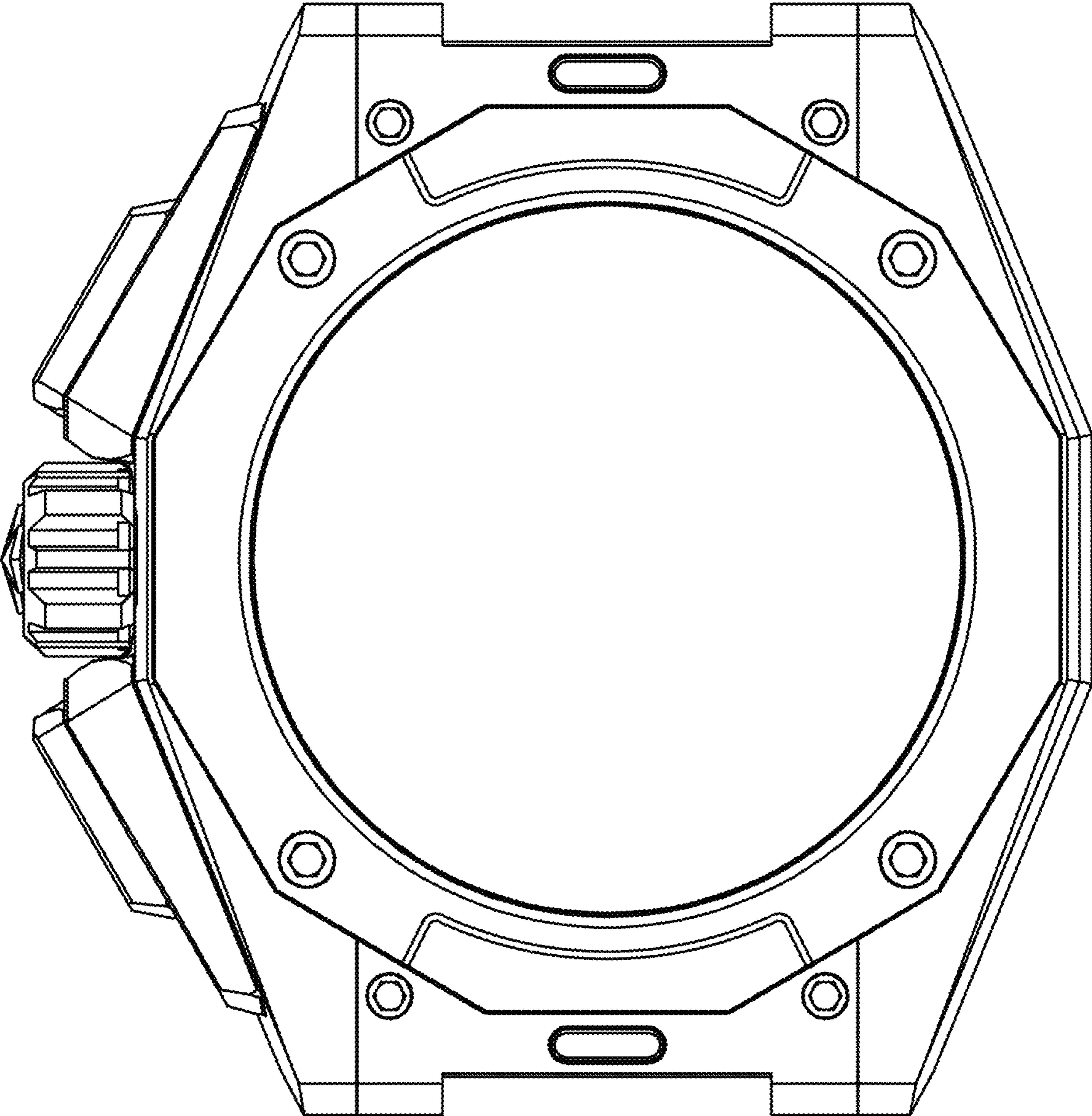
1.1



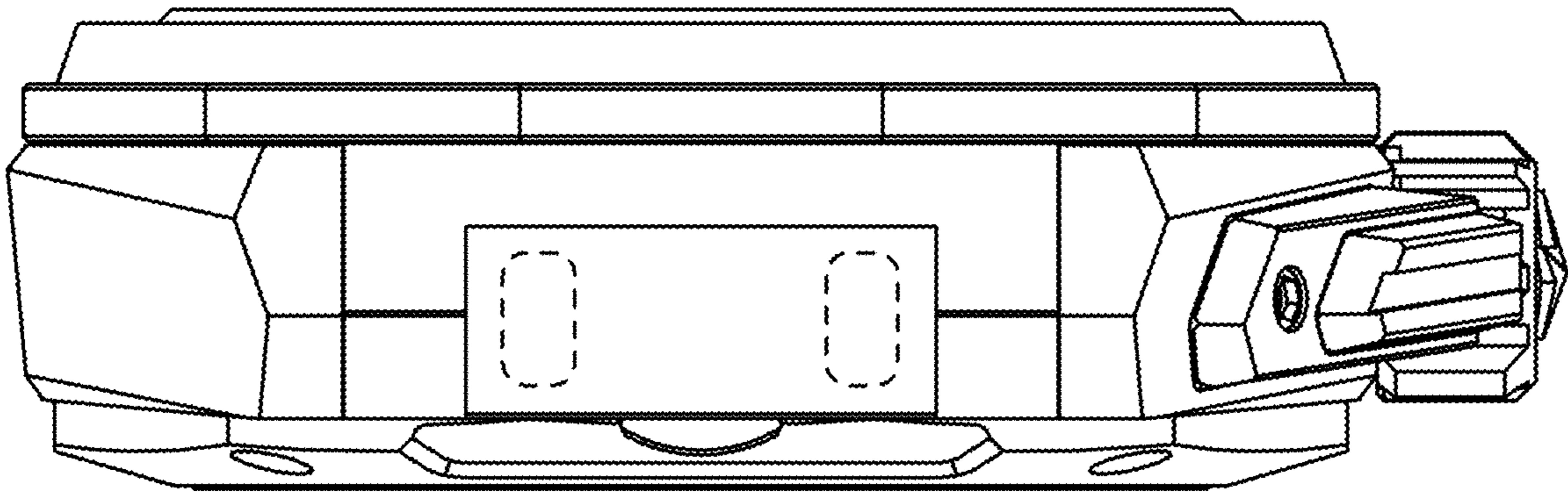
1.2



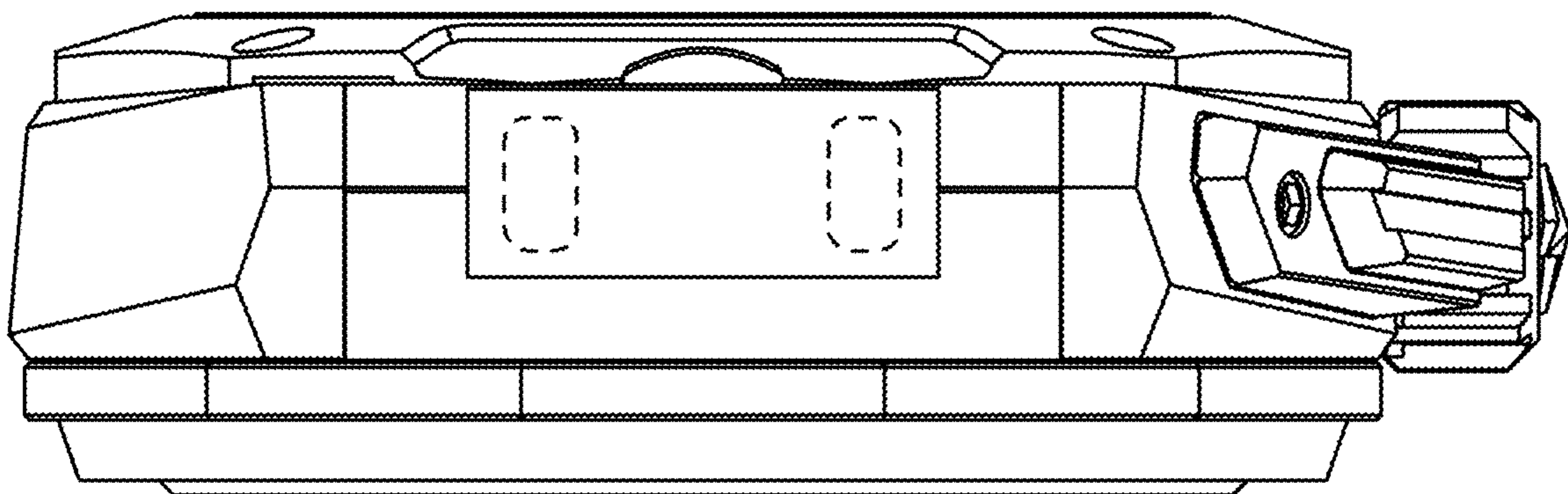
1.3



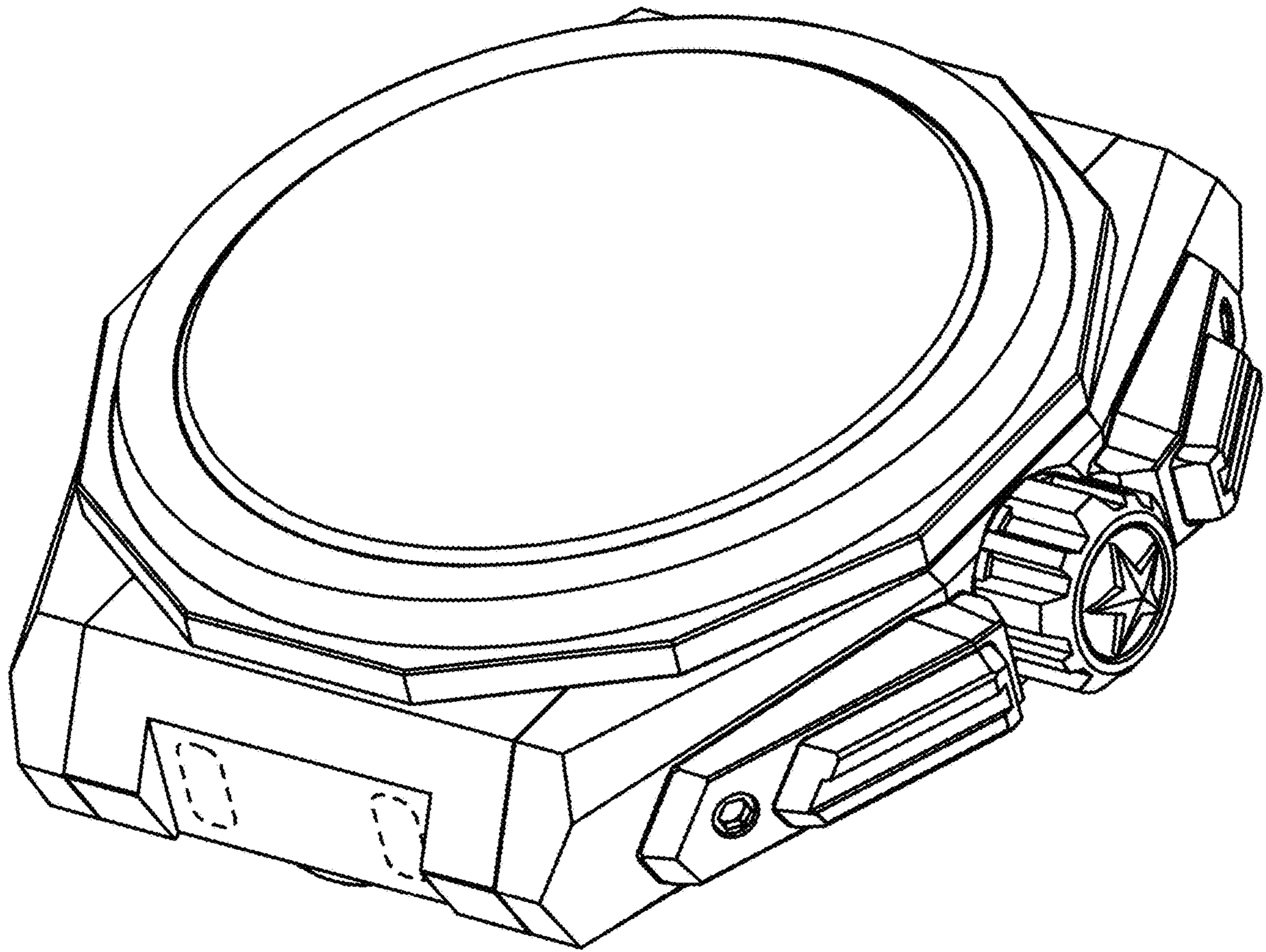
1.4



1.5



1.6



1.7