



US00D975549S

(12) **United States Design Patent**  
**Sabin et al.**

(10) **Patent No.:** **US D975,549 S**  
(45) **Date of Patent:** **\*\* Jan. 17, 2023**

(54) **CAN HAVING A RIBBED EXTERIOR SURFACE**

- (71) Applicant: **Tempra Technology, Inc.**, Bradenton, FL (US)
- (72) Inventors: **Cullen M. Sabin**, Bradenton, FL (US); **Erik Holmen**, Lakewood Ranch, FL (US); **Emanuel Guzman**, Sarasota, FL (US)
- (73) Assignee: **Tempra Technology, Inc.**, Bradenton, FL (US)

(\*\*) Term: **15 Years**

(21) Appl. No.: **29/747,225**

(22) Filed: **Aug. 20, 2020**

(51) **LOC (14) Cl.** ..... **09-01**

(52) **U.S. Cl.**

USPC ..... **D9/774; D9/777; D9/557**

(58) **Field of Classification Search**

USPC ..... D9/500, 763-783, 416, 434, 435, 438, D9/518, 902, 903, 556-558, 569, 570, D9/574, 905; D7/300.1, 591

CPC ..... B21D 51/26; B21D 51/383; B29C 66/71; B65D 1/00; B65D 1/02; B65D 1/12; B65D 1/14; B65D 1/40; B65D 1/44; B65D 1/023; B65D 1/0223; B65D 1/165; B65D 1/238; B65D 1/246; B65D 1/253; B65D 7/04;

(Continued)

(56) **References Cited**

**U.S. PATENT DOCUMENTS**

- D98,582 S \* 2/1936 Fegley et al. .... D7/300.1
- D290,688 S \* 7/1987 Moloney ..... D9/774

(Continued)

**FOREIGN PATENT DOCUMENTS**

- JP 701236 12/1986
- JP 726568 11/1987

(Continued)

*Primary Examiner* — Keli L Hill

(74) *Attorney, Agent, or Firm* — Sheehan Phinney Bass & Green PA

(57) **CLAIM**

What is claimed is the ornamental design for a can having a ribbed exterior surface, as shown and described.

**DESCRIPTION**

FIG. 1 is a perspective view showing the top, front, and right side of a can having a ribbed exterior surface.

FIG. 2 is a perspective view showing the bottom, rear, and left side of the can having the ribbed exterior surface.

FIG. 3 is a front view of the can having the ribbed exterior surface.

FIG. 4 is a top view of the can having the ribbed exterior surface.

FIG. 5 is a right side view of the can having the ribbed exterior surface.

FIG. 6 is a left side view of the can having the ribbed exterior surface.

FIG. 7 is a rear view of the can having the ribbed exterior surface.

FIG. 8 is a bottom view of the can having the ribbed exterior surface.

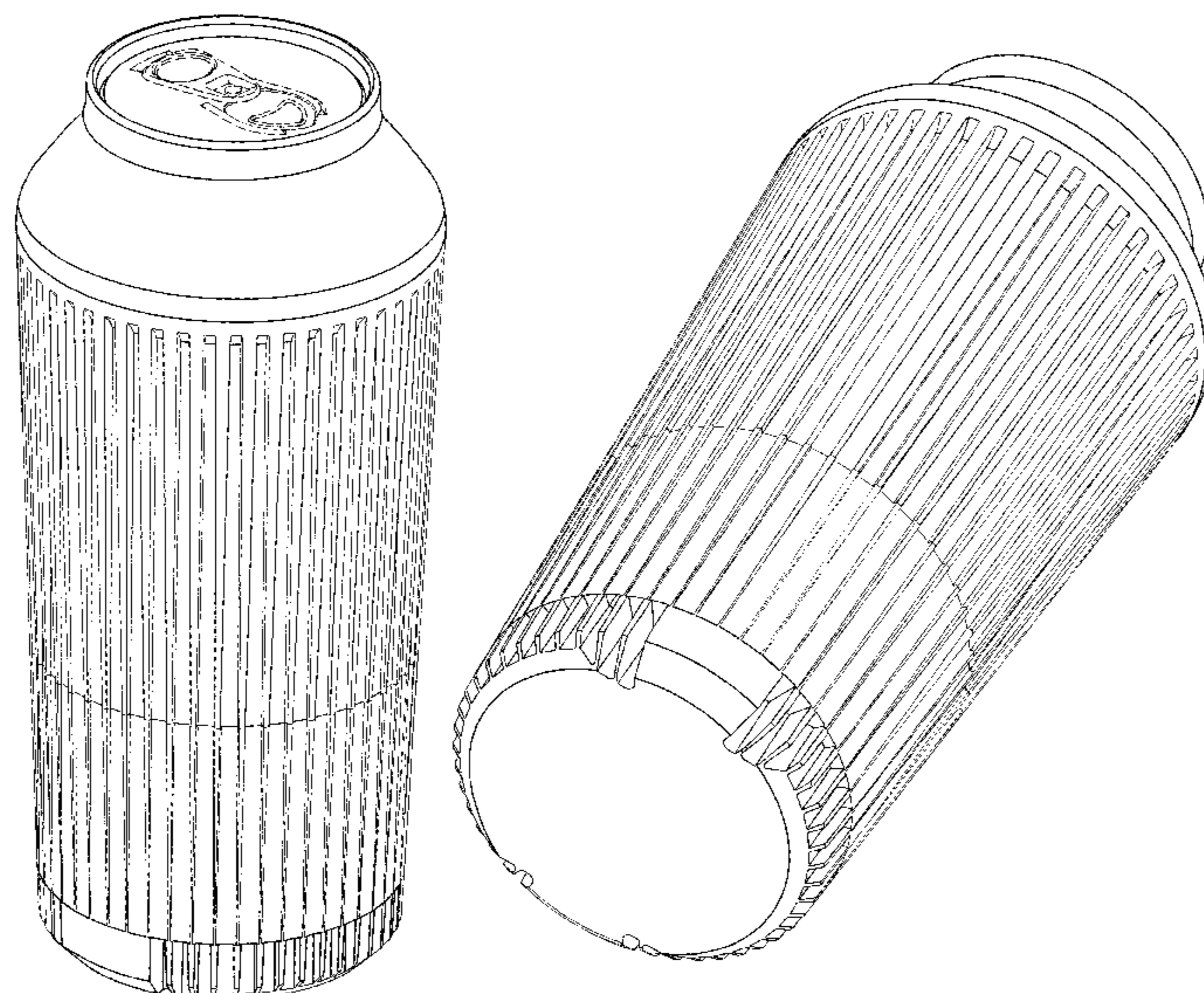
FIG. 9 is a cross-sectional view (taken along 9-9 in FIG. 7) of the can having the ribbed exterior surface.

FIG. 10 is a cross-sectional view (taken along 10-10 in FIG. 7) of the can having the ribbed exterior surface; and,

FIG. 11 is a cross-sectional view (taken along 11-11 in FIG. 7) of the can having the ribbed exterior surface.

Certain surfaces shown in the drawings, such as surfaces that appear in the cross-sectional views only that are not otherwise externally visible, are illustrated in the drawings with broken lines and form no part of the claimed design(s).

**1 Claim, 11 Drawing Sheets**



(58) **Field of Classification Search**

CPC ..... B65D 21/0209; B65D 21/0233; B65D  
25/00; B65D 25/28; B65D 41/0457;  
B65D 41/17; B65D 53/06; B65D 75/56;  
B65D 79/005; B65D 2501/0036; B65D  
2543/00064; B65D 2543/00074; B65D  
2543/00083; B65D 2543/00092; B65D  
2543/00101; B65D 2543/00111; Y10T  
29/49826

See application file for complete search history.

(56) **References Cited**

U.S. PATENT DOCUMENTS

D332,750	S	*	1/1993	Moloney	.....	D9/518
D346,745	S	*	5/1994	Heynen	.....	D9/518
D347,172	S	*	5/1994	Heynen	.....	D9/518
D356,265	S	*	3/1995	Moloney	.....	D9/518
D489,987	S	*	5/2004	Ogata	.....	D9/774
D622,604	S	*	8/2010	Wheeler	.....	D9/556
D751,922	S	*	3/2016	Ramsey	.....	D9/772
D754,999	S	*	5/2016	Gamelli	.....	B65D 43/02 D7/300.1
2013/0126369	A1	*	5/2013	Gamelli	.....	B65D 43/02 206/217

FOREIGN PATENT DOCUMENTS

JP	1191745	10/2003
JP	1200532	2/2004
JP	1376506	11/2009
JP	1552488	5/2016

\* cited by examiner

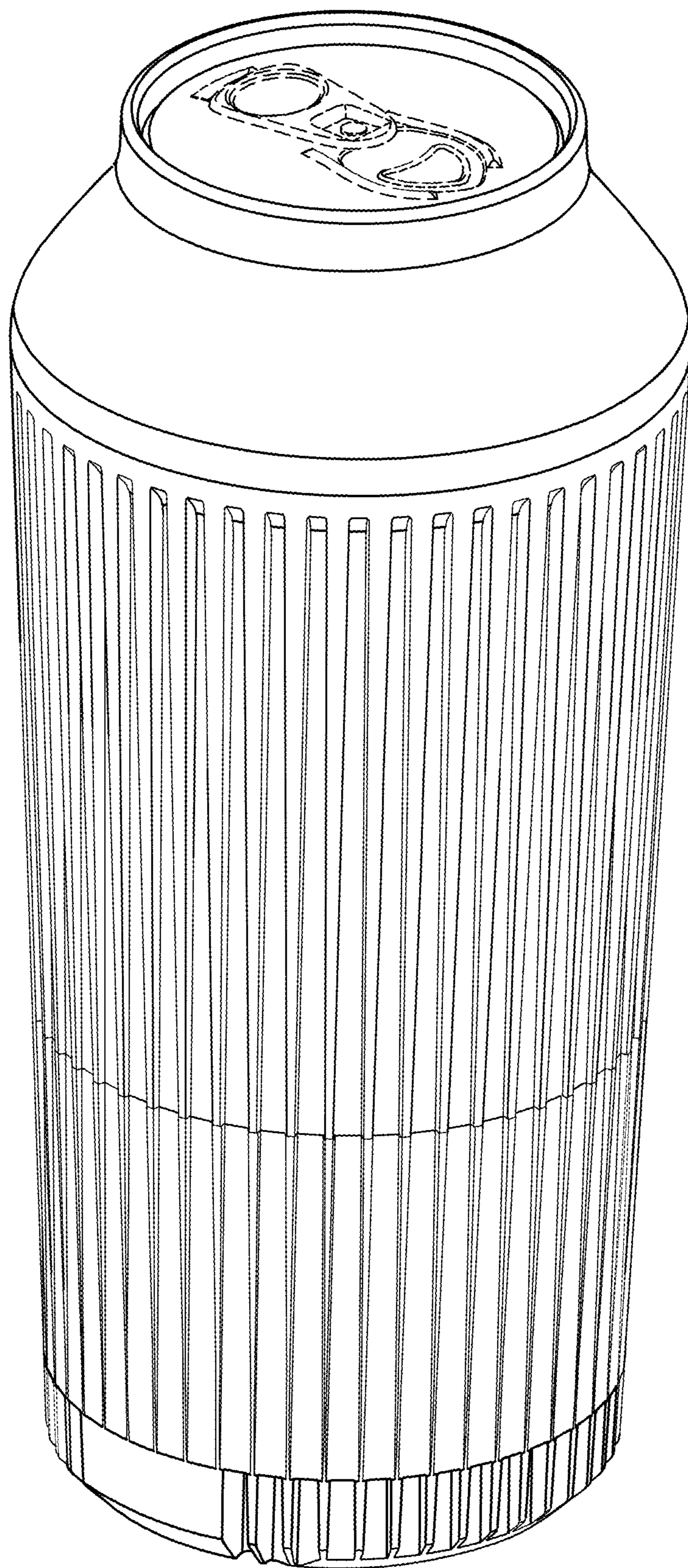


FIG. 1

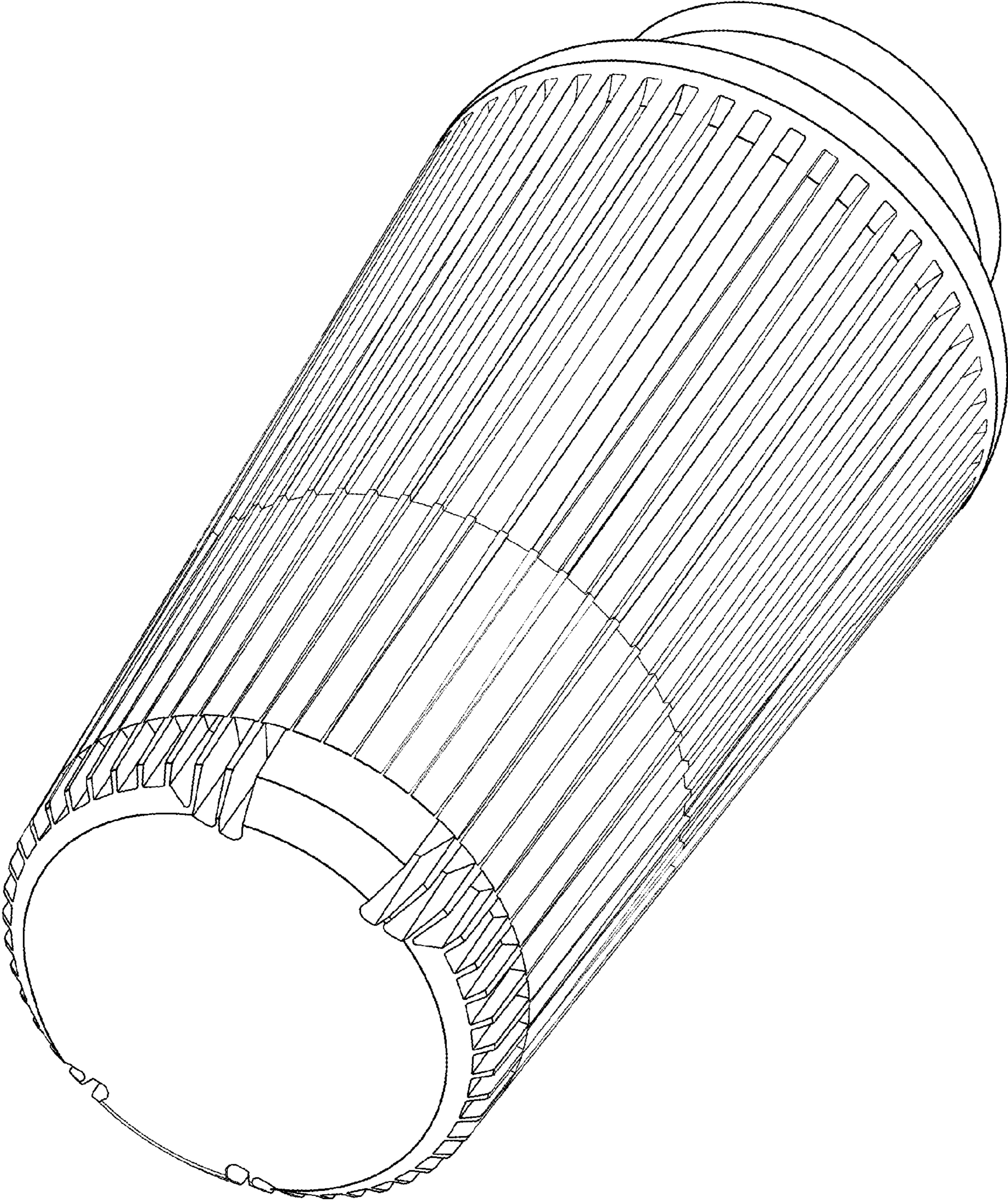


FIG.2

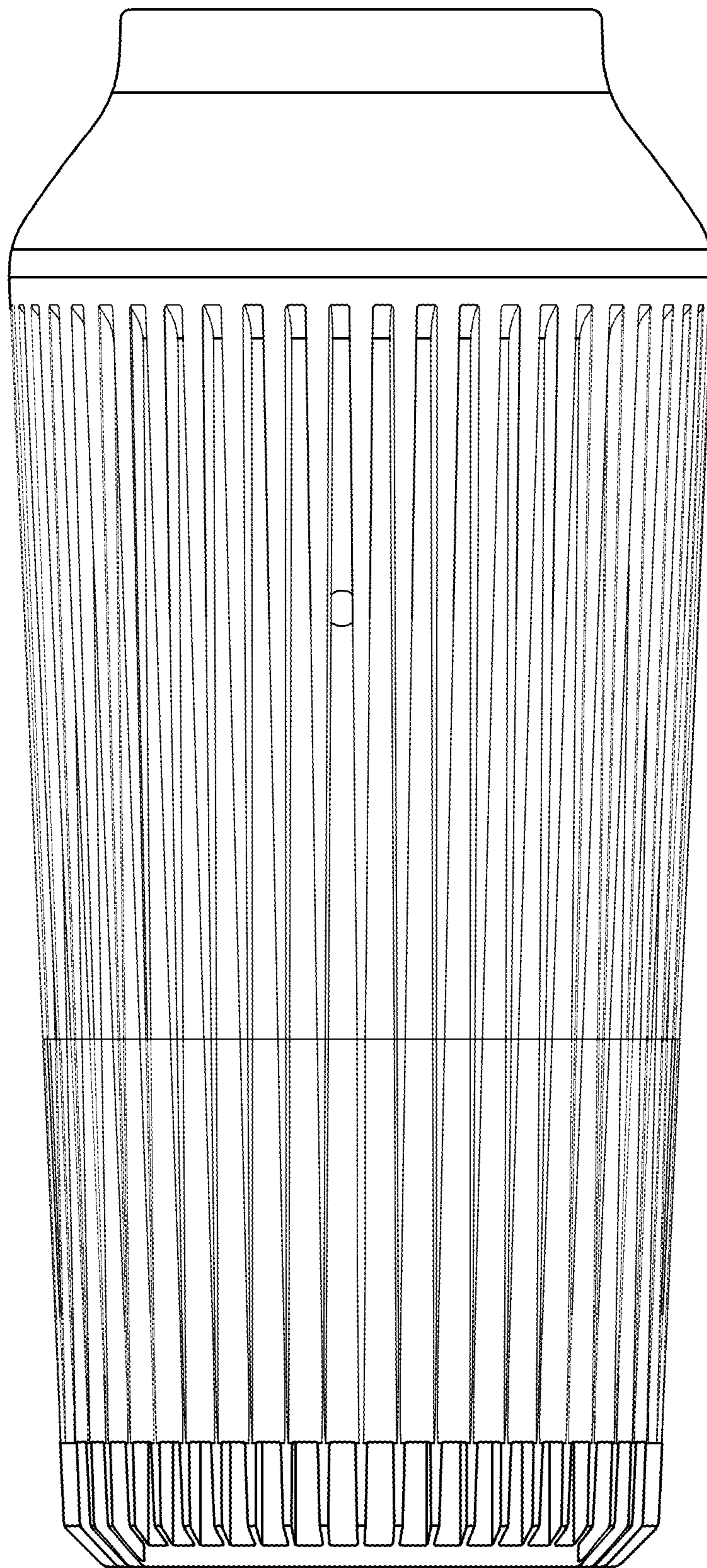


FIG.3

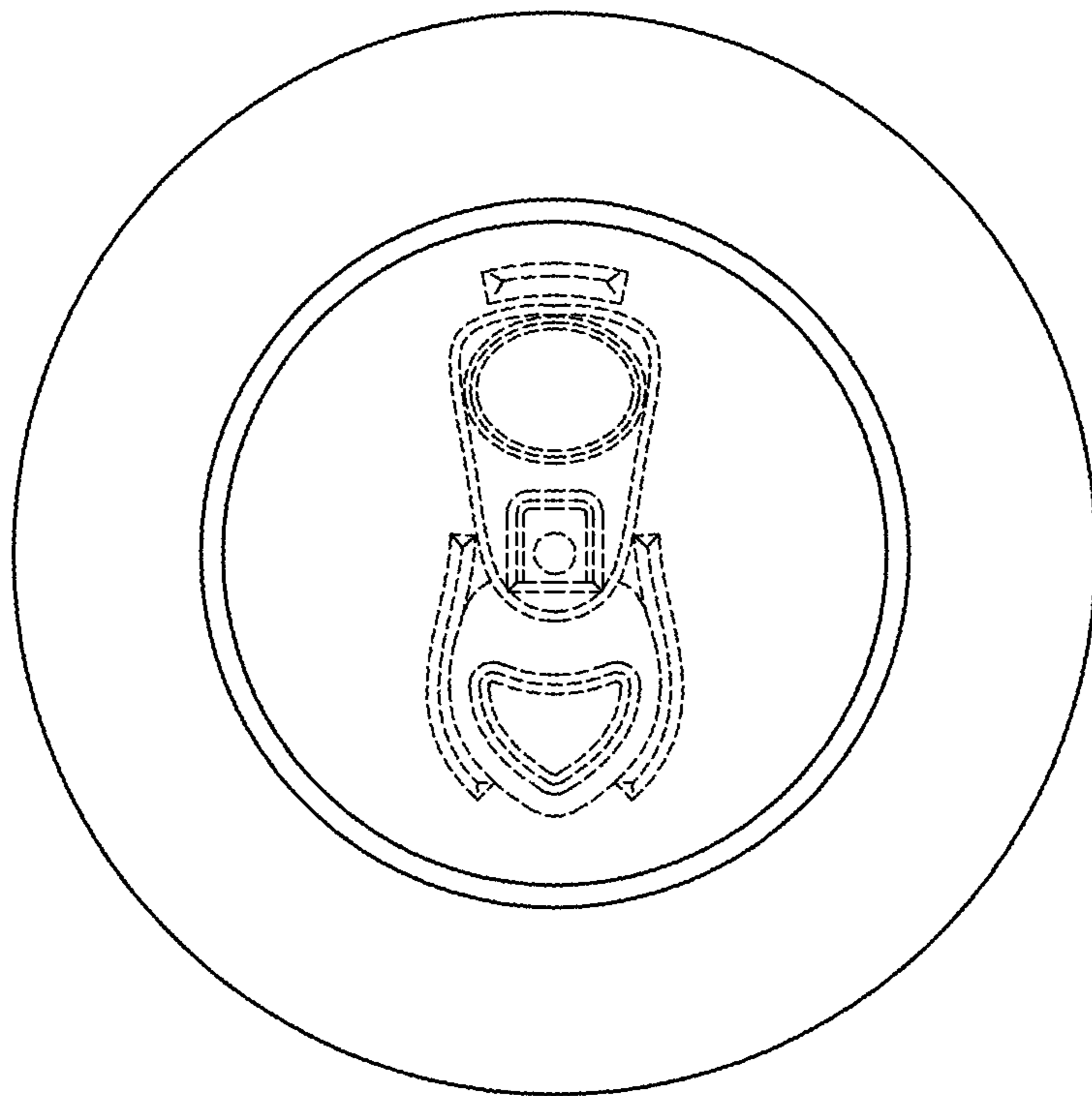


FIG. 4

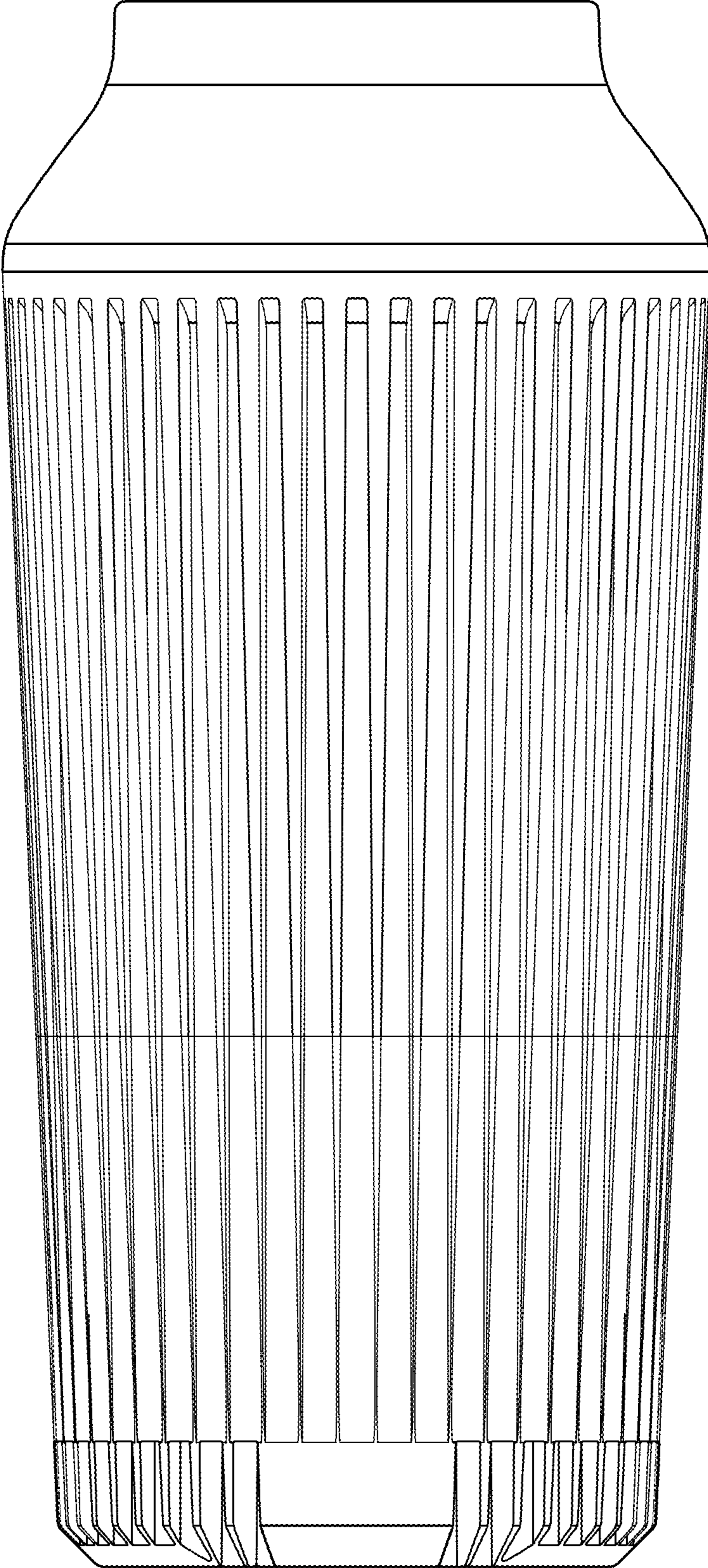


FIG.5

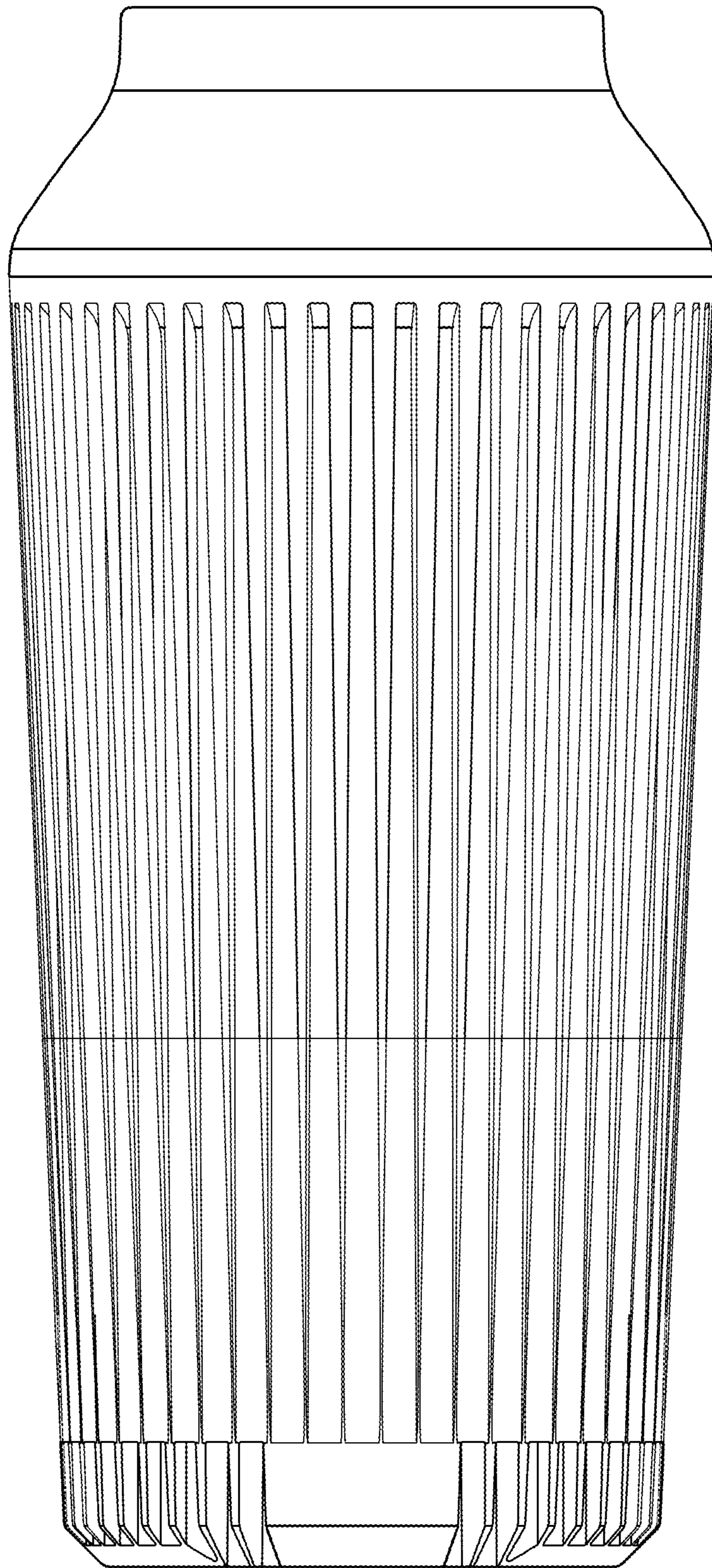


FIG.6



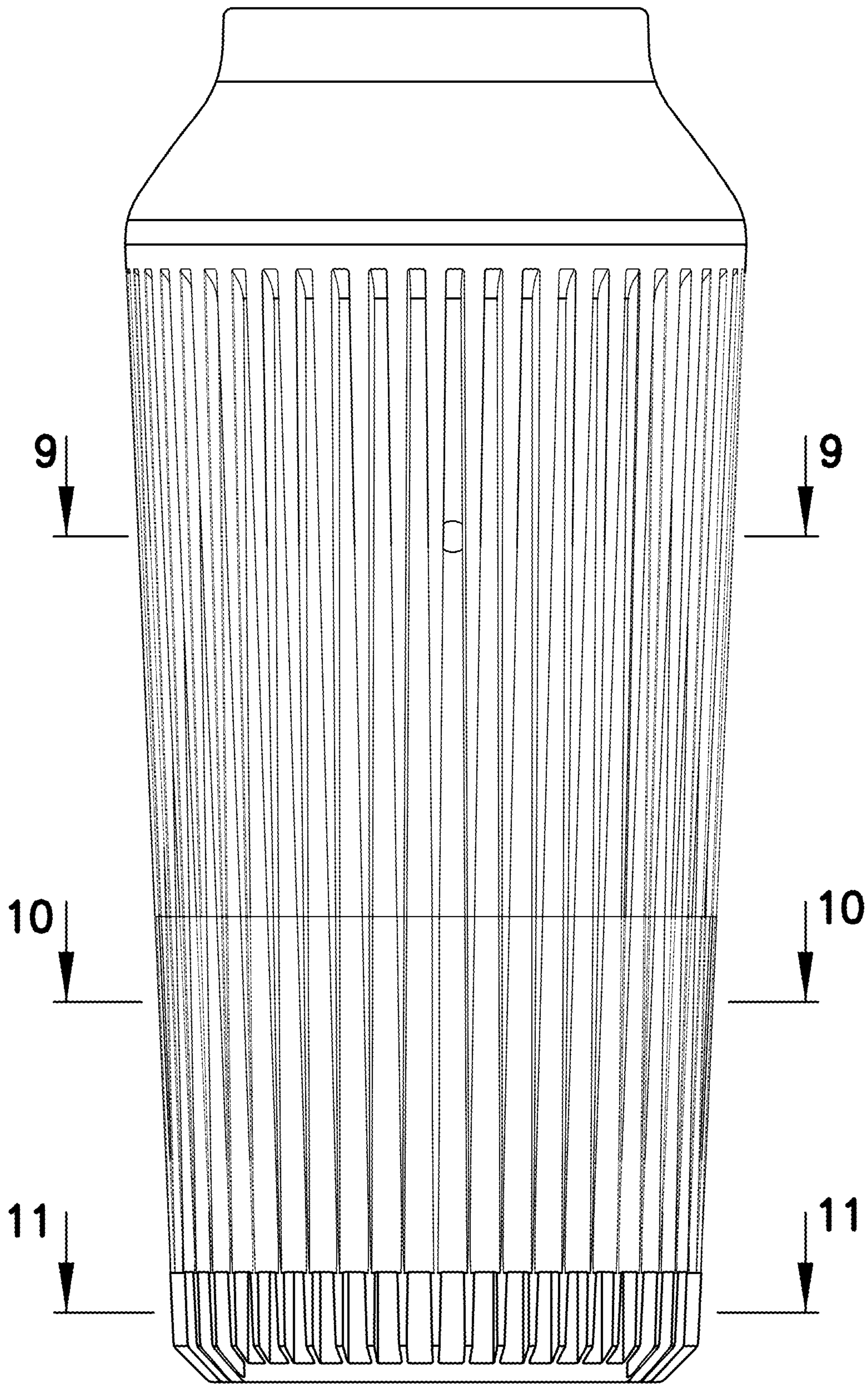


FIG.7

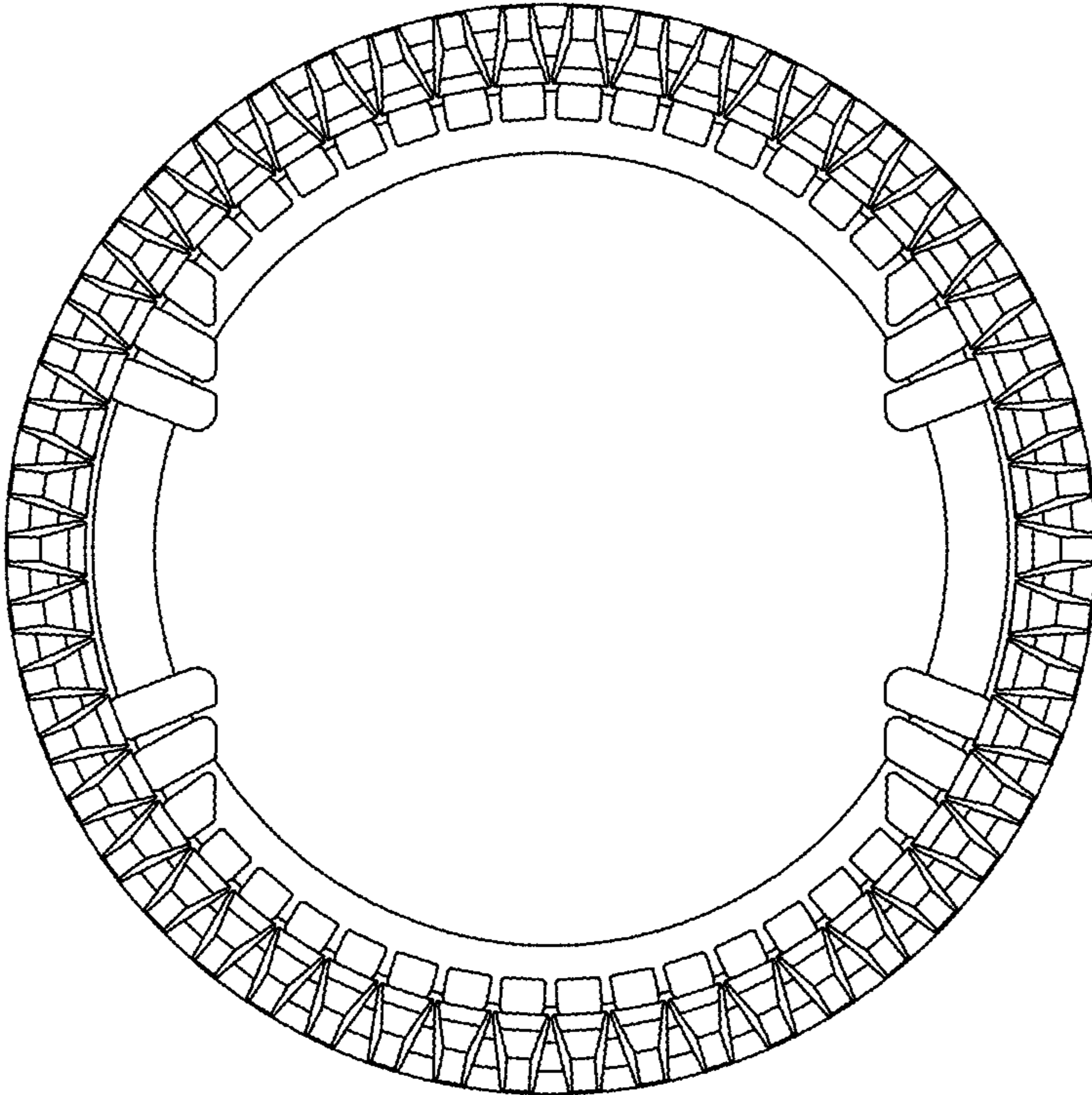


FIG.8

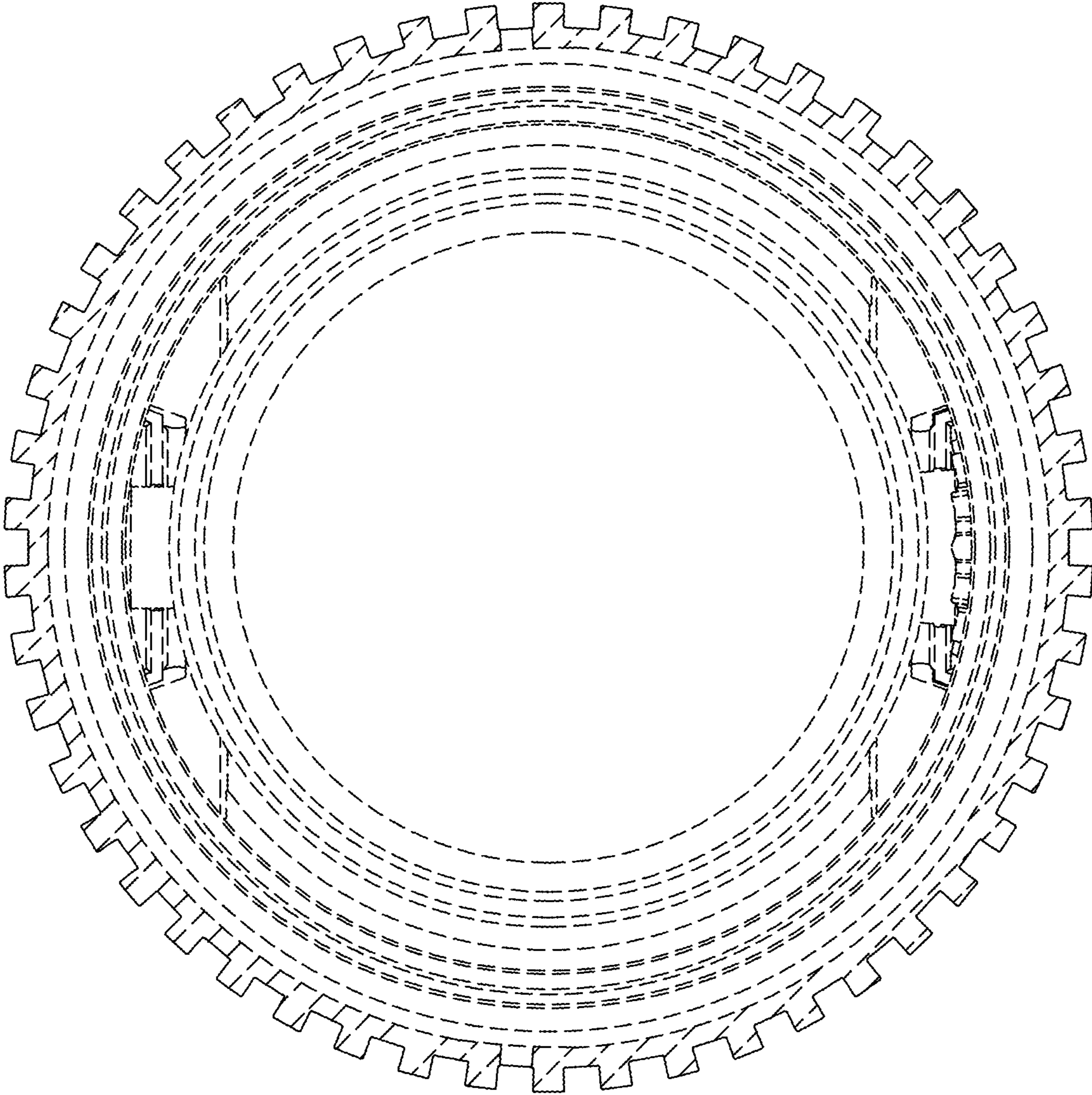


FIG.9

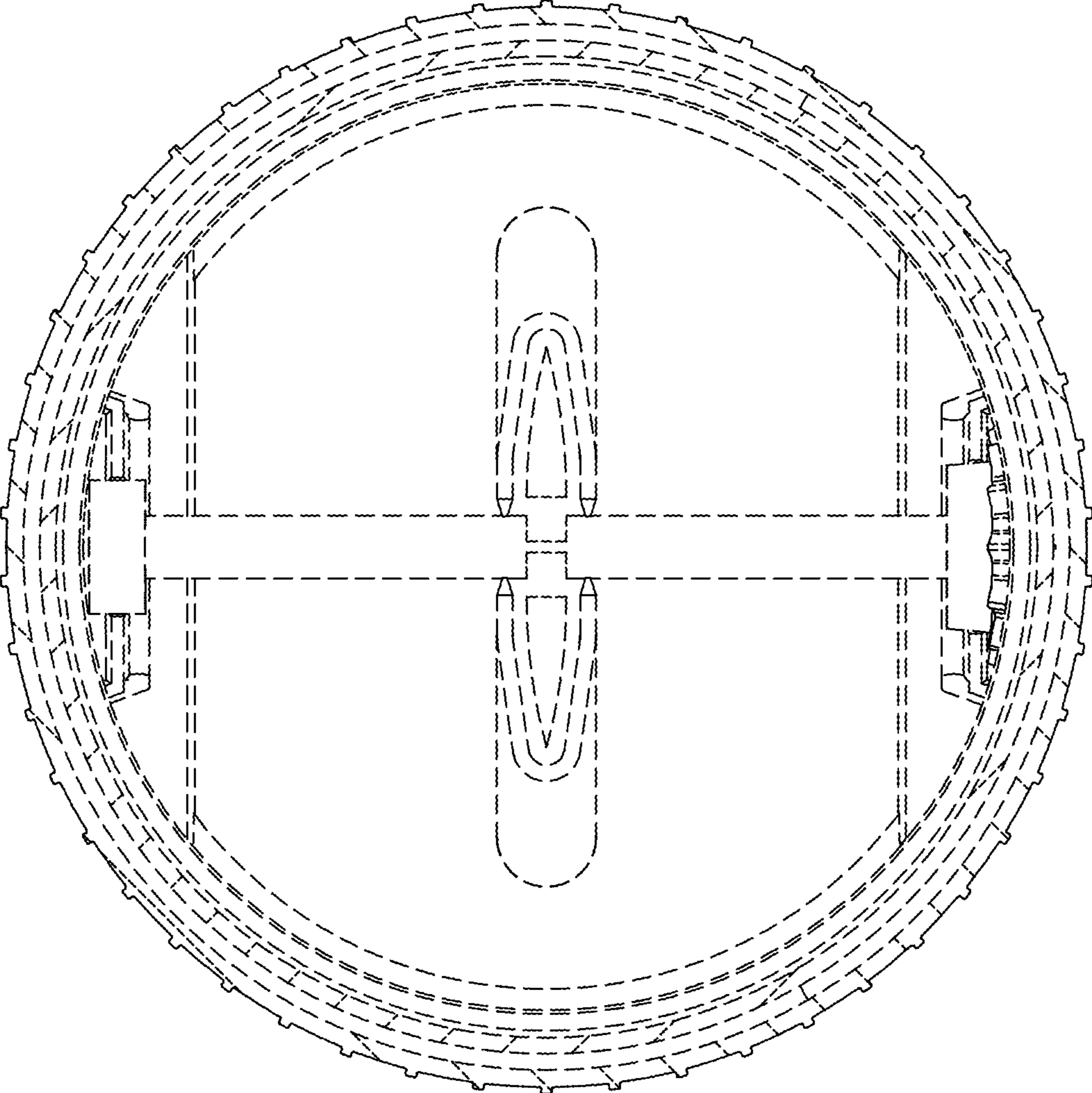


FIG. 10

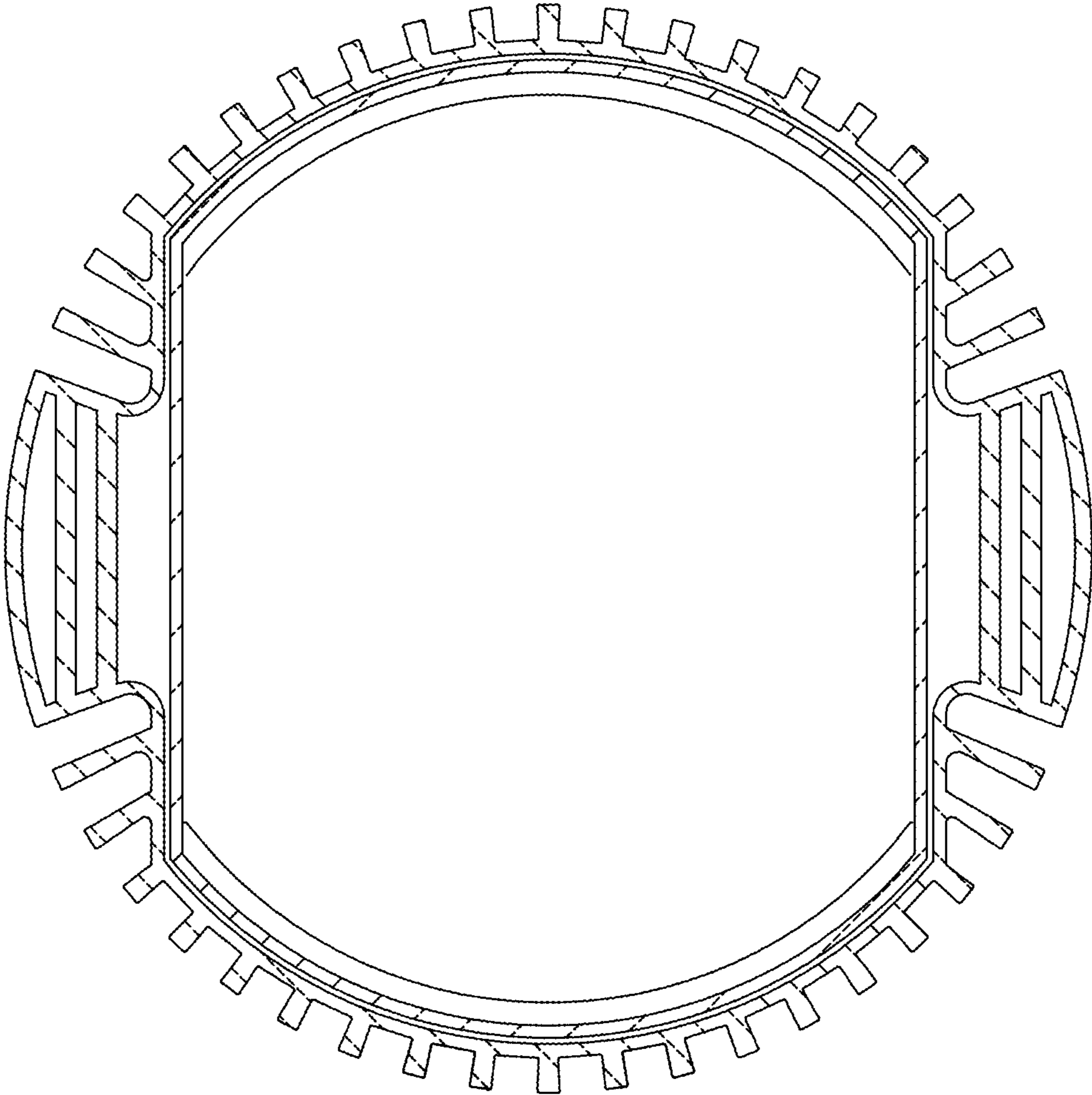


FIG. 11