



US00D975545S

(12) **United States Design Patent**  
**Gruzelier et al.**

(10) **Patent No.:** **US D975,545 S**

(45) **Date of Patent:** **\*\* Jan. 17, 2023**

(54) **BOTTLE**

(71) Applicant: **The Procter & Gamble Company,**  
Cincinnati, OH (US)

(72) Inventors: **Julian Richard John Gruzelier,** Vaud (CH); **Gillian Meredith Anne Haro,** Amsterdam (NL); **Brett Tom,** Richmond, CA (US); **Wei Gu,** Singapore (SG); **Reid Andersen Schlegel,** Brooklyn, NY (US); **Danvu Nam Nguyen,** San Francisco, CA (US); **Calvin Shenghuai Lin,** Singapore (SG); **Longfei Zhang,** Singapore (SG)

(73) Assignee: **The Procter & Gamble Company,**  
Cincinnati, OH (US)

(\*\*) Term: **15 Years**

(21) Appl. No.: **29/730,029**

(22) Filed: **Mar. 31, 2020**

(51) **LOC (14) Cl.** ..... **09-01**

(52) **U.S. Cl.**  
USPC ..... **D9/523; D9/571**

(58) **Field of Classification Search**  
USPC ..... D9/434-435, 439, 447, 449, 450,  
D9/452-454, 516, 523, 524, 528-531,  
(Continued)

(56) **References Cited**

**U.S. PATENT DOCUMENTS**

D95,672 S 5/1935 Fuerst  
D357,866 S \* 5/1995 Beier-Rosetti ..... D9/523  
(Continued)

**FOREIGN PATENT DOCUMENTS**

CN 306743842 S 10/2021  
WO D042090-001 \* 11/1997

**OTHER PUBLICATIONS**

Colgate Peroxyl Mouth Sore Rinse Mild Mint—16.9 Fl Oz (Pack of 2) Online, published date Dec. 4, 2018. Retrieved on Jul. 29, 2022

from URL: <https://www.amazon.com/Colgate-Peroxyl-Mouth-Sore-Rinse/dp/B081HWGPT7>.\*

*Primary Examiner* — Jae Liang

*Assistant Examiner* — Royner Mendoza

(74) *Attorney, Agent, or Firm* — Linda M. Sivik

(57) **CLAIM**

The ornamental design for a bottle, as shown and described.

**DESCRIPTION**

The patent or application file contains at least one drawing executed in color. Copies of this patent or patent application publication with color drawing(s) will be provided by the Office upon request and payment of the necessary fee.

FIG. 1 is a front perspective view of a bottle, embodying our new design according to a first embodiment;

FIG. 2 is a back perspective view thereof;

FIG. 3 is a front view thereof;

FIG. 4 is a back view thereof;

FIG. 5 is a first side view thereof;

FIG. 6 is a second side thereof;

FIG. 7 is a top view thereof; and

FIG. 8 is a bottom view thereof;

FIG. 9 is a front perspective view of a bottle, embodying our new design according to a second embodiment;

FIG. 10 is a back perspective view thereof;

FIG. 11 is a front view thereof;

FIG. 12 is a back view thereof;

FIG. 13 is a first side view thereof;

FIG. 14 is a second side thereof;

FIG. 15 is a top view thereof; and

FIG. 16 is a bottom view thereof.

FIG. 17 is a front perspective view of a bottle, embodying our new design according to a third embodiment;

FIG. 18 is a back perspective view thereof;

FIG. 19 is a front view thereof;

FIG. 20 is a back view thereof;

FIG. 21 is a first side view thereof;

FIG. 22 is a second side view thereof;

FIG. 23 is a top view thereof; and

(Continued)

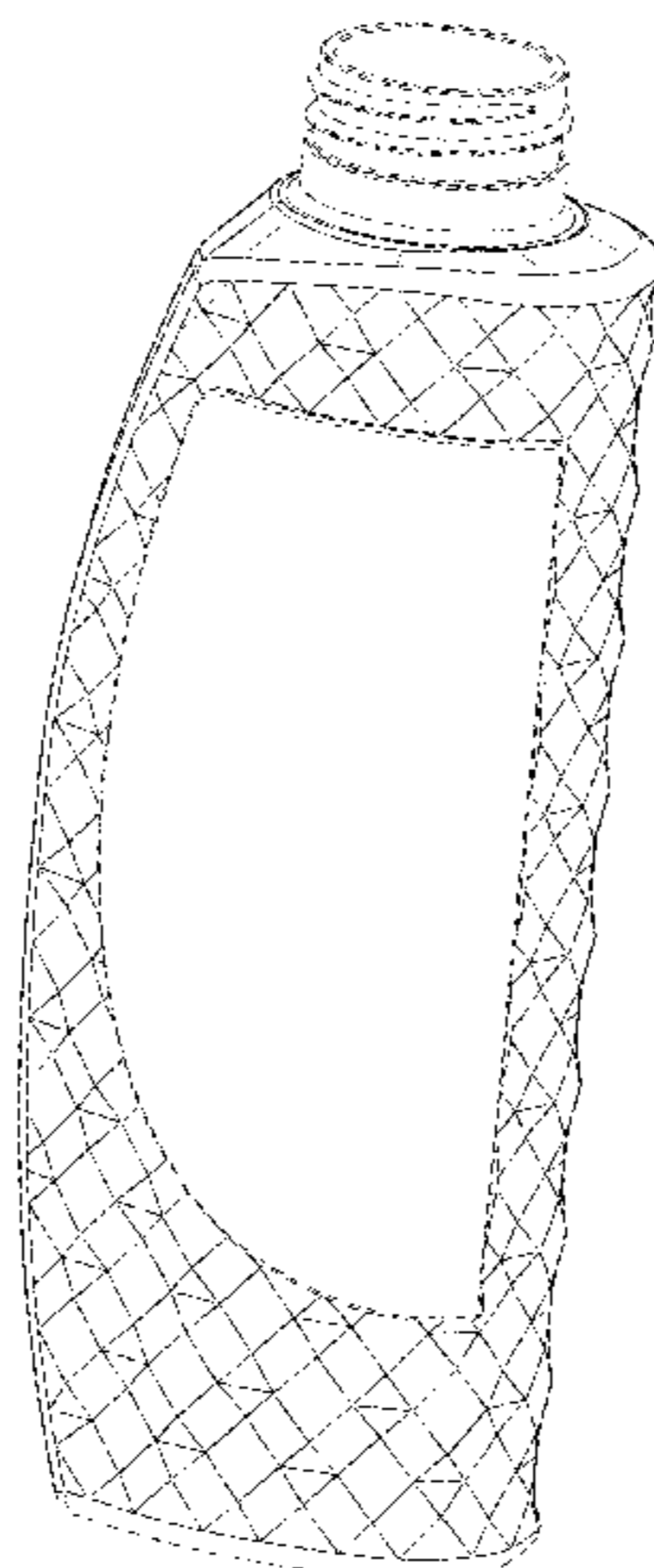


FIG. 24 is a bottom view thereof.  
 FIG. 25 is a front perspective view of a bottle, embodying our new design according to a fourth embodiment;  
 FIG. 26 is a back perspective view thereof;  
 FIG. 27 is a front view thereof;  
 FIG. 28 is a back view thereof;  
 FIG. 29 is a first side view thereof;  
 FIG. 30 is a second side view thereof;  
 FIG. 31 is a top view thereof; and  
 FIG. 32 is a bottom view thereof.  
 FIG. 33 is a front perspective view of an embossed bottle, embodying our new design according to a fifth embodiment;  
 FIG. 34 is a back perspective view thereof;  
 FIG. 35 is a front view thereof;  
 FIG. 36 is a back view thereof;  
 FIG. 37 is a first side view thereof;  
 FIG. 38 is a second side view thereof;  
 FIG. 39 is a top view thereof; and  
 FIG. 40 is a bottom view thereof.  
 FIG. 41 is a front perspective view of a bottle, embodying our new design according to a sixth embodiment;  
 FIG. 42 is a back perspective view thereof;  
 FIG. 43 is a front view thereof;  
 FIG. 44 is a back view thereof;  
 FIG. 45 is a first side view thereof;  
 FIG. 46 is a second side view thereof;  
 FIG. 47 is a top view thereof; and  
 FIG. 48 is a bottom view thereof.  
 FIG. 49 is a perspective view of an embossed bottle, embodying our new design according to a seventh embodiment;  
 FIG. 50 is a front view thereof;  
 FIG. 51 is a back view thereof;  
 FIG. 52 is a first side view thereof;  
 FIG. 53 is a second side view thereof;  
 FIG. 54 is a top view thereof; and  
 FIG. 55 is a bottom view thereof.  
 FIG. 56 is a perspective view of an embossed bottle, embodying our new design according to an eighth embodiment;  
 FIG. 57 is a front view thereof;  
 FIG. 58 is a back view thereof;  
 FIG. 59 is a first side view thereof;  
 FIG. 60 is a second side view thereof;  
 FIG. 61 is a top view thereof; and,  
 FIG. 62 is a bottom view thereof.  
 The broken lines shown in the drawings form no part of the claimed design.

**1 Claim, 32 Drawing Sheets  
 (8 of 32 Drawing Sheet(s) Filed in Color)**

(58) **Field of Classification Search**  
 USPC ..... D9/541–544, 549–551, 558–560, 563,  
 D9/565, 566, 571–575, 605, 611, 626,

D9/632, 645, 649, 682, 686, 687, 693,  
 D9/694, 715, 719, 452–454, 528–531,  
 D9/558–560, 571–575; D7/509, 619.1;  
 D3/202  
 CPC .... B65D 1/46; B65D 1/0223; B65D 21/0202;  
 B65D 21/0205; B65D 23/00; B65D  
 23/0864; B65D 23/102; B65D 71/508;  
 B65D 2501/0027; B65D 2501/0045;  
 B65D 2501/0081; Y10T 428/13; Y10T  
 428/139; Y10T 428/1352  
 See application file for complete search history.

(56)

**References Cited**

U.S. PATENT DOCUMENTS

D357,867	S	*	5/1995	Beier-Rosetti	.....	D9/523
D357,868	S	*	5/1995	Beier-Rosetti	.....	D9/523
D449,534	S	*	10/2001	LeCoule	.....	D9/516
D508,407	S	*	8/2005	Busch	.....	D9/563
D531,906	S		11/2006	Mongeon et al.		
D533,066	S		12/2006	Mongeon et al.		
D578,892	S		10/2008	Bridgman et al.		
D583,254	S		12/2008	Odonahue		
D586,219	S	*	2/2009	Bridgman	.....	D9/571
D586,220	S		2/2009	Bridgman et al.		
D587,121	S	*	2/2009	Mongeon	.....	D9/521
D589,806	S	*	4/2009	Snyder	.....	D9/523
D590,719	S	*	4/2009	Zwolbar	.....	D9/558
D601,035	S	*	9/2009	Rangaswamy	.....	D9/694
D614,494	S		4/2010	Palmer et al.		
D642,061	S		7/2011	Bowers et al.		
D643,731	S	*	8/2011	Booth	.....	D9/570
D643,736	S	*	8/2011	Lagerqvist	.....	D9/558
D649,465	S	*	11/2011	Oates	.....	D9/521
D656,832	S		4/2012	Bowers et al.		
D714,654	S	*	10/2014	Faillant Dumas	.....	D9/566
D726,500	S	*	4/2015	Ke	.....	D7/530
D732,962	S	*	6/2015	Hawry	.....	D9/523
D775,527	S	*	1/2017	Blachford	.....	D9/523
D784,148	S	*	4/2017	Toh	.....	D9/558
D796,264	S	*	9/2017	Bo	.....	D7/532
D808,727	S	*	1/2018	Bo	.....	D7/532
D813,679	S		3/2018	Bos et al.		
D814,303	S	*	4/2018	Ascherl	.....	D9/523
D815,910	S	*	4/2018	Bo	.....	D7/532
D824,772	S	*	8/2018	Serrano	.....	D9/569
D826,723	S	*	8/2018	Rhodes	.....	D9/558
D844,448	S		4/2019	Miller et al.		
D848,851	S	*	5/2019	Sullivan	.....	D9/558
D852,635	S	*	7/2019	Dammers	.....	D9/566
D853,793	S	*	7/2019	Bo	.....	D7/532
D879,615	S		3/2020	Young		
D881,648	S	*	4/2020	Xue	.....	D7/532
D895,432	S		9/2020	Yoshioka		
D898,578	S		10/2020	McGreevy		
D920,801	S	*	6/2021	Davis	.....	D9/563
D920,802	S	*	6/2021	Davis	.....	D9/571
D920,804	S	*	6/2021	Davis	.....	D9/686
D921,434	S	*	6/2021	Chiaradia	.....	D7/511
D944,089	S	*	2/2022	Davis	.....	D9/571
D953,116	S	*	5/2022	Zhong	.....	D7/532
D955,886	S	*	6/2022	Ng	.....	D9/563
D958,665	S	*	7/2022	Bogert	.....	D9/573
2021/0206141	A1		7/2021	Neufarth et al.		

\* cited by examiner



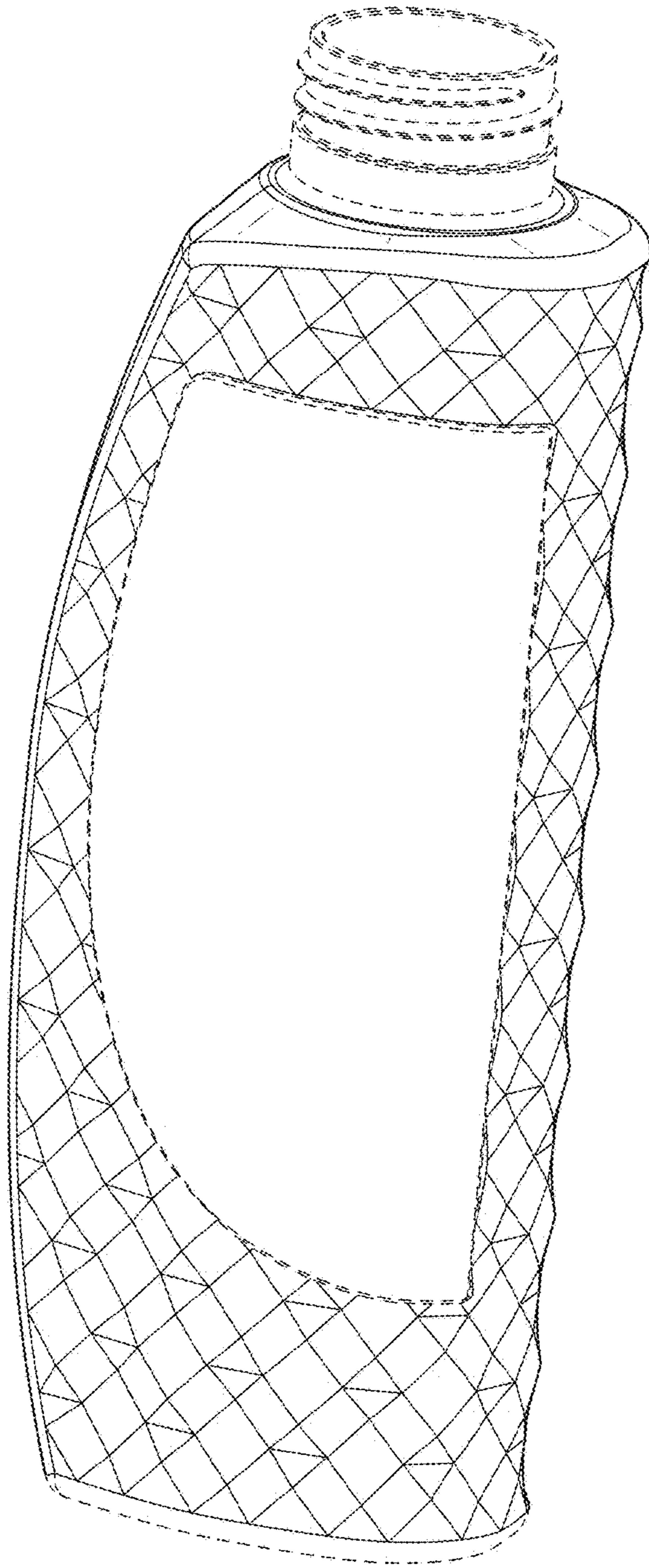


FIG. 1

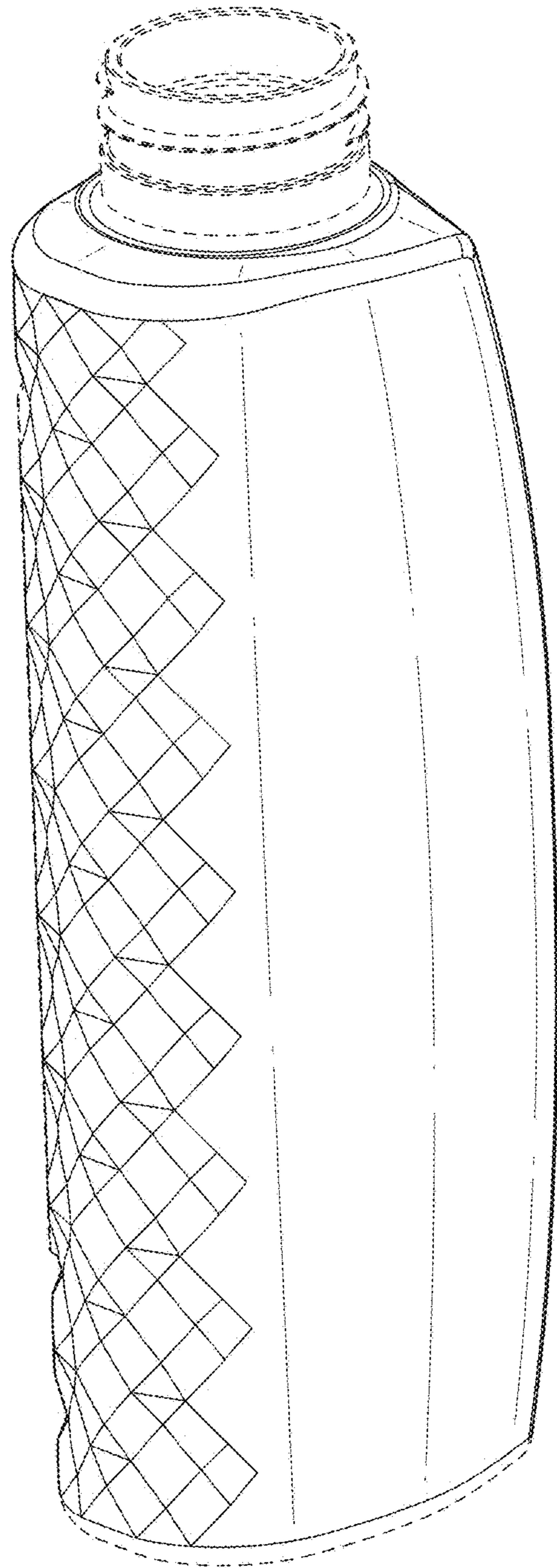


FIG. 2

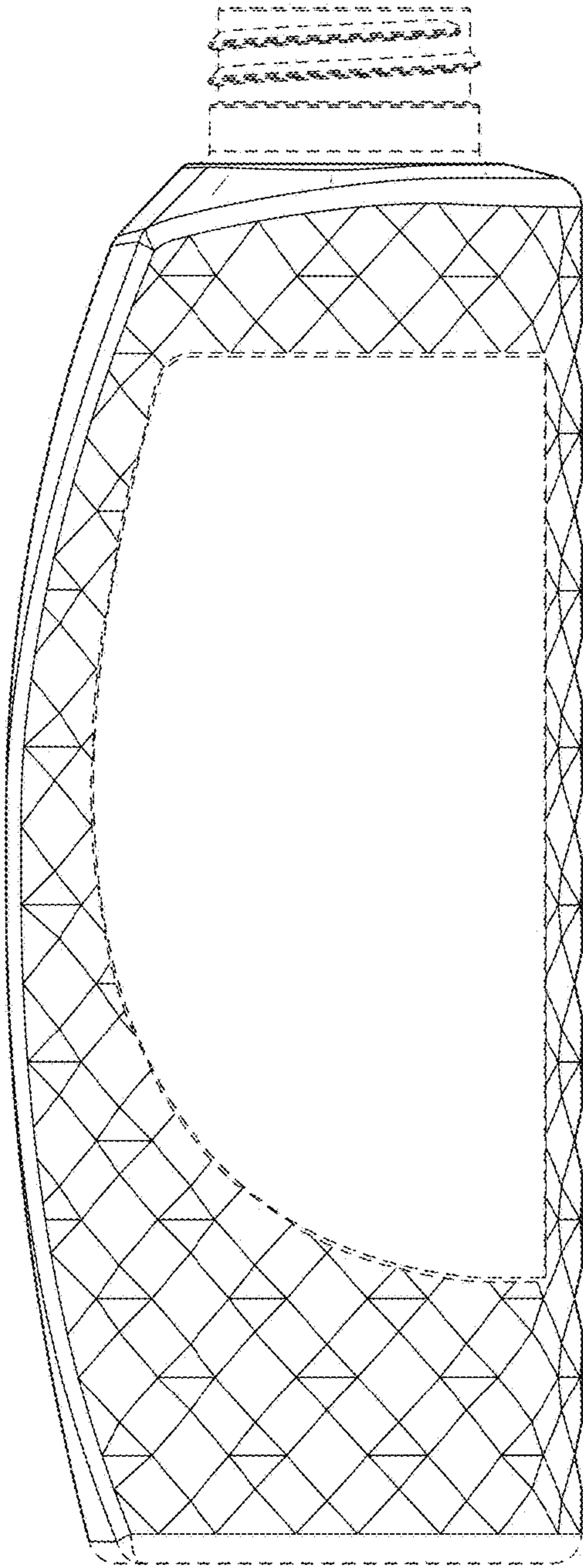


FIG. 3

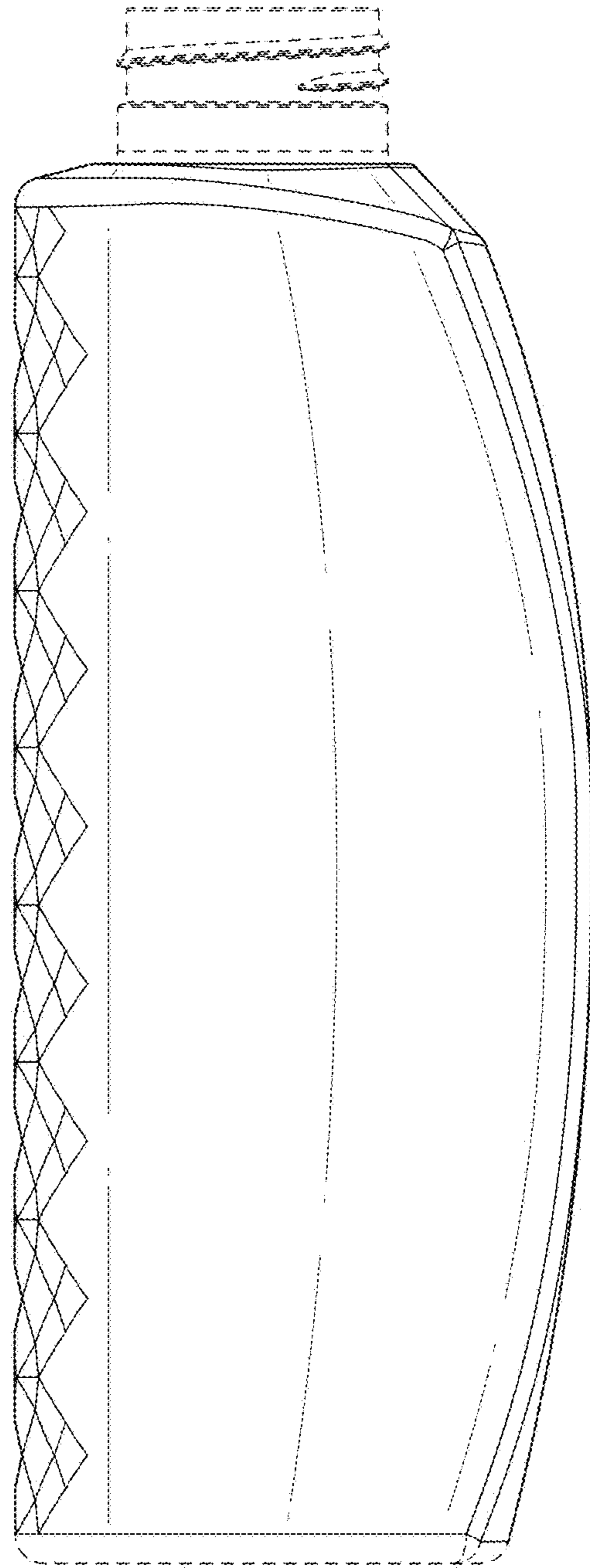


FIG. 4



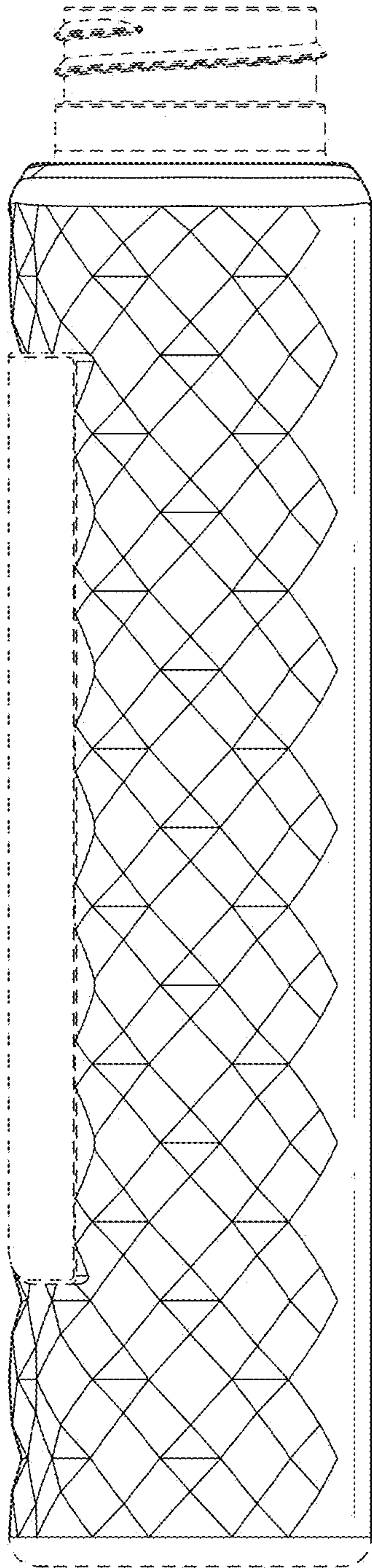


FIG. 5

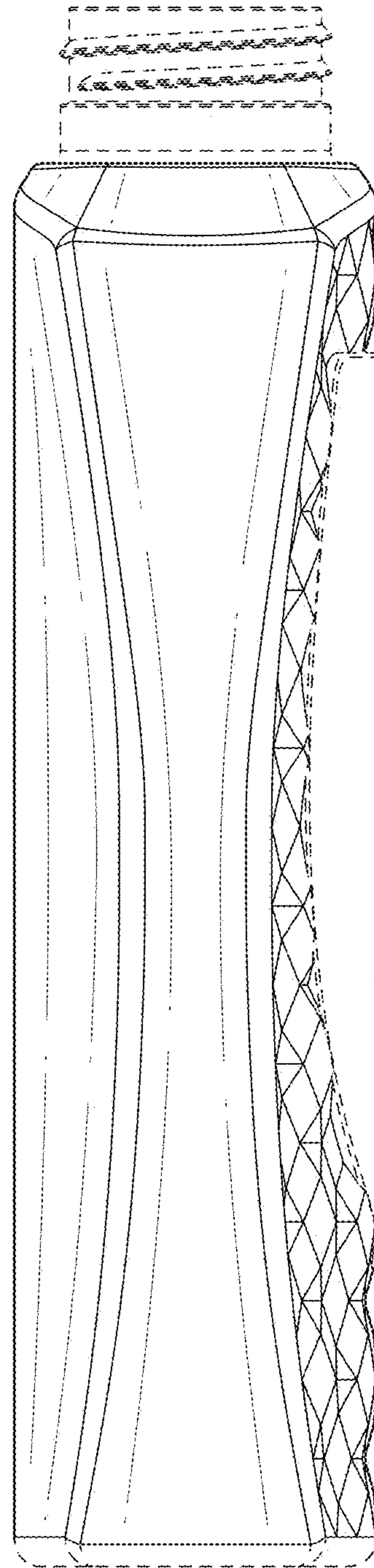


FIG. 6

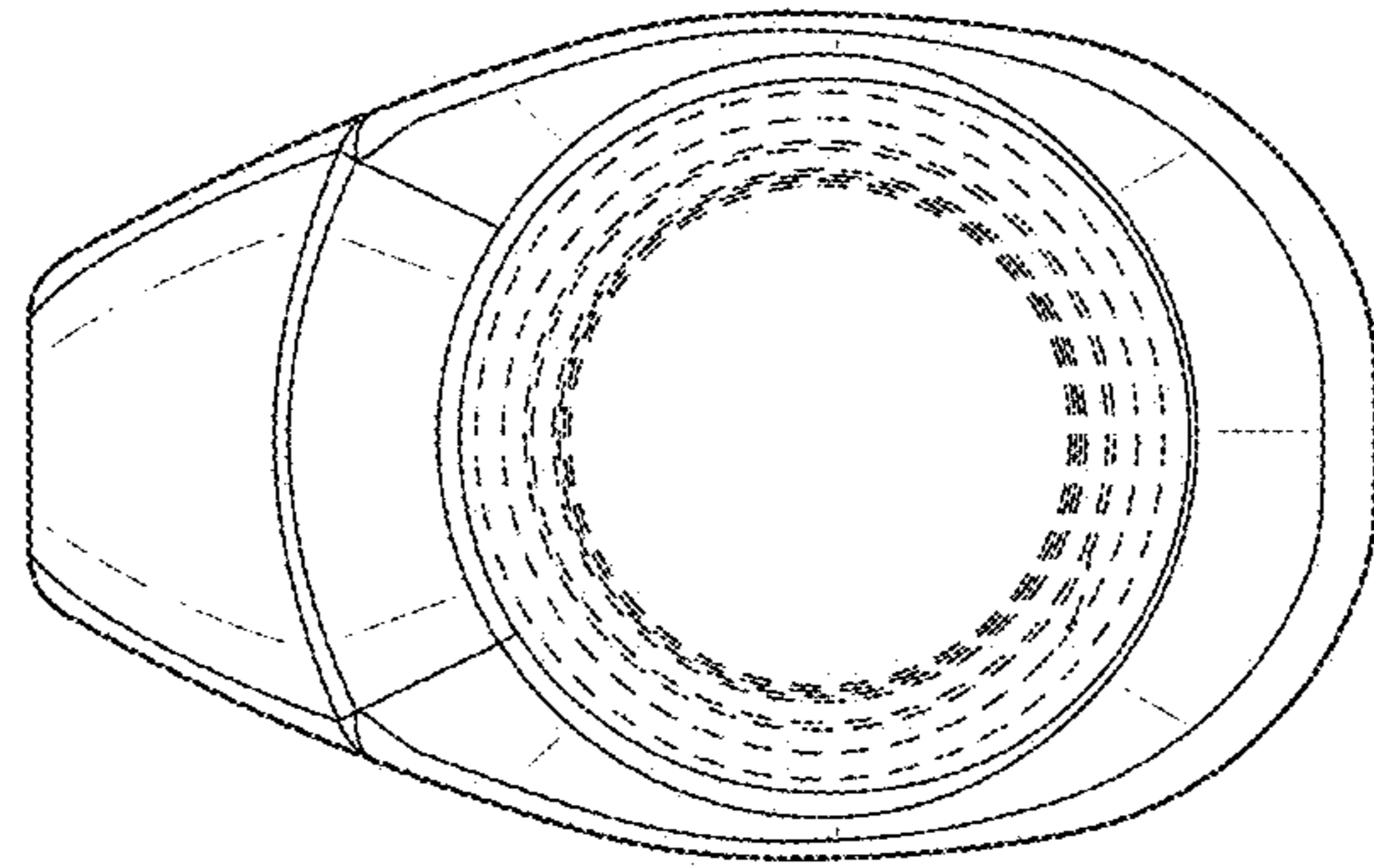


FIG. 7

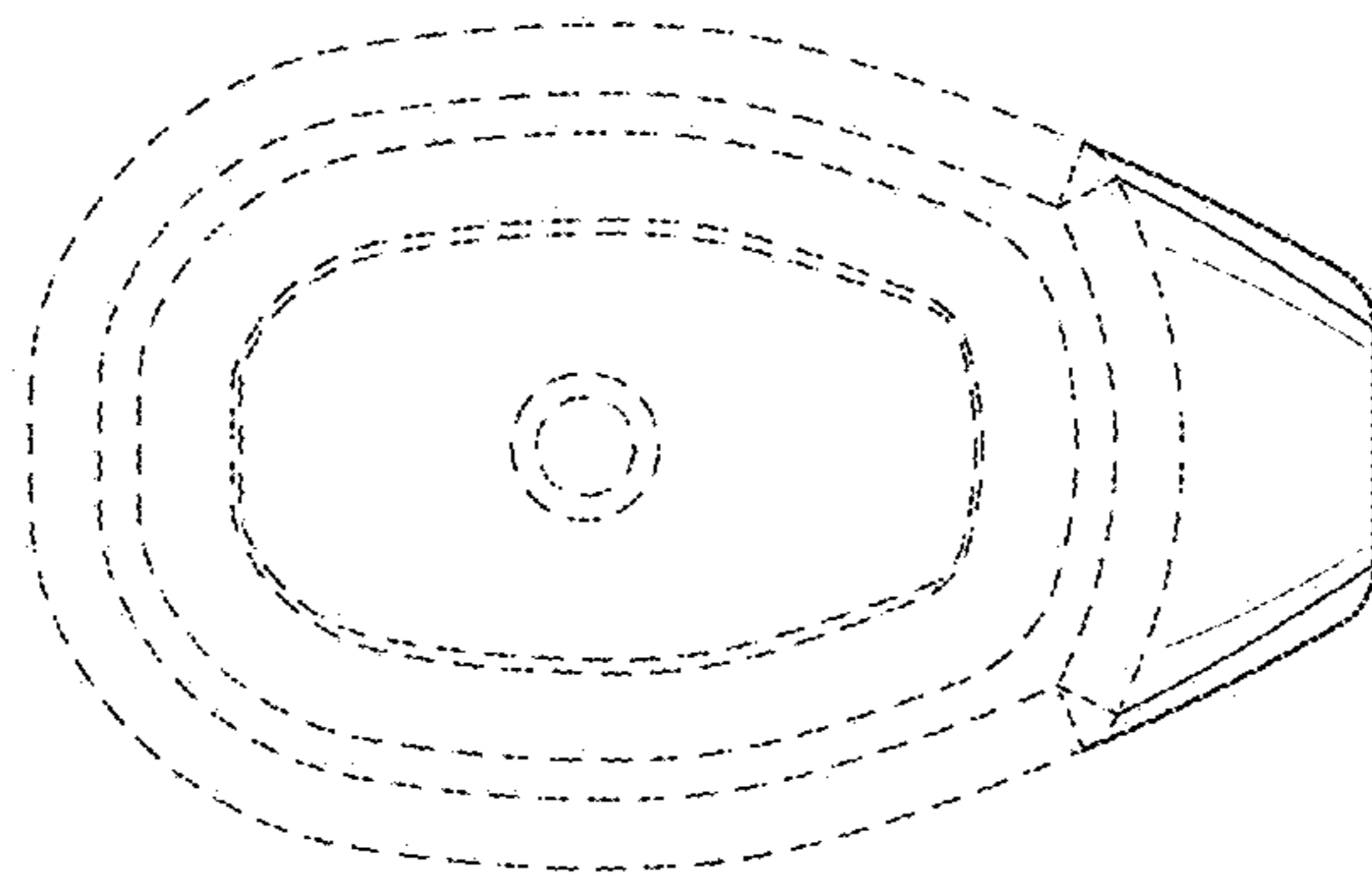


FIG. 8



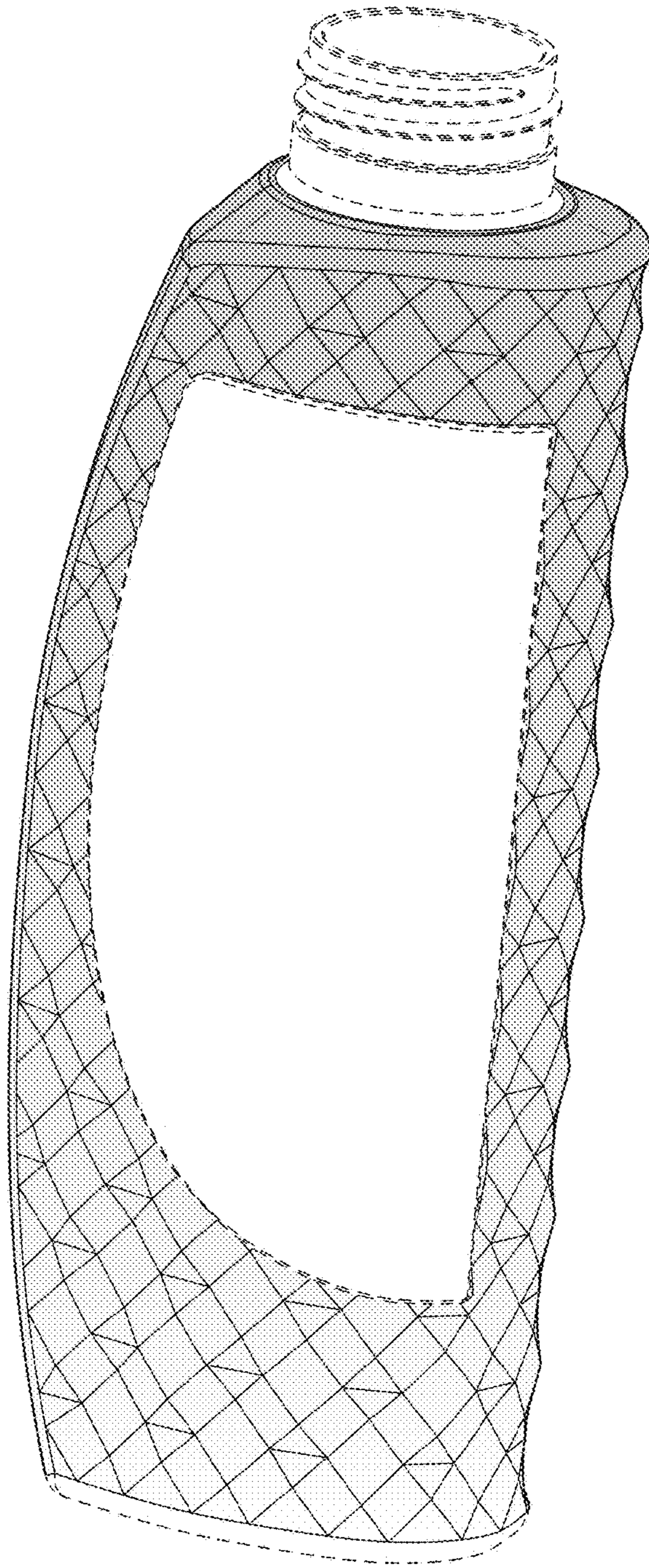


FIG. 9

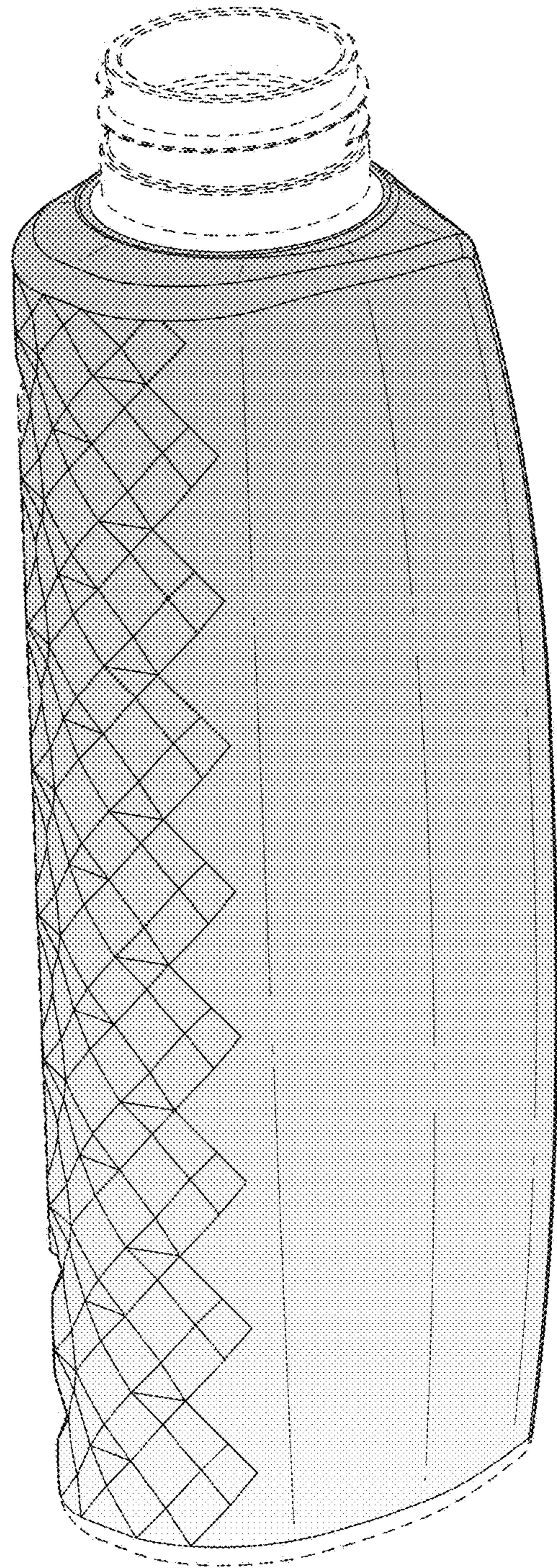


FIG. 10



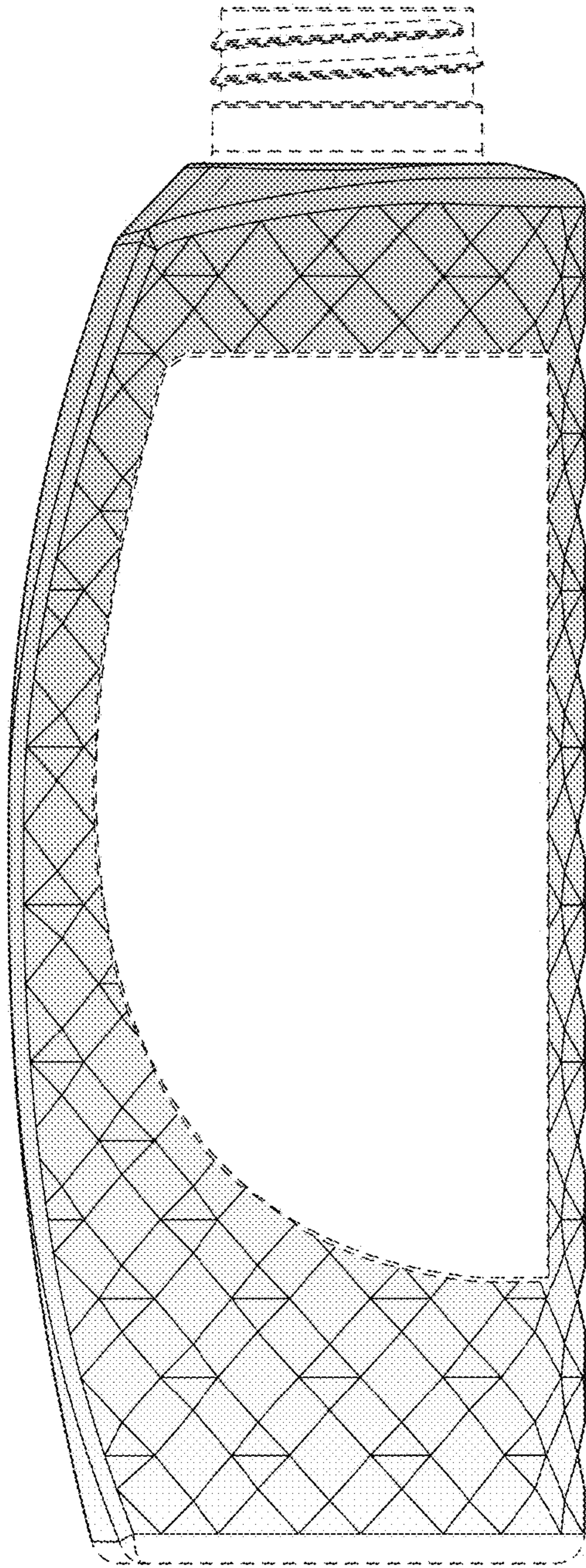


FIG. 11

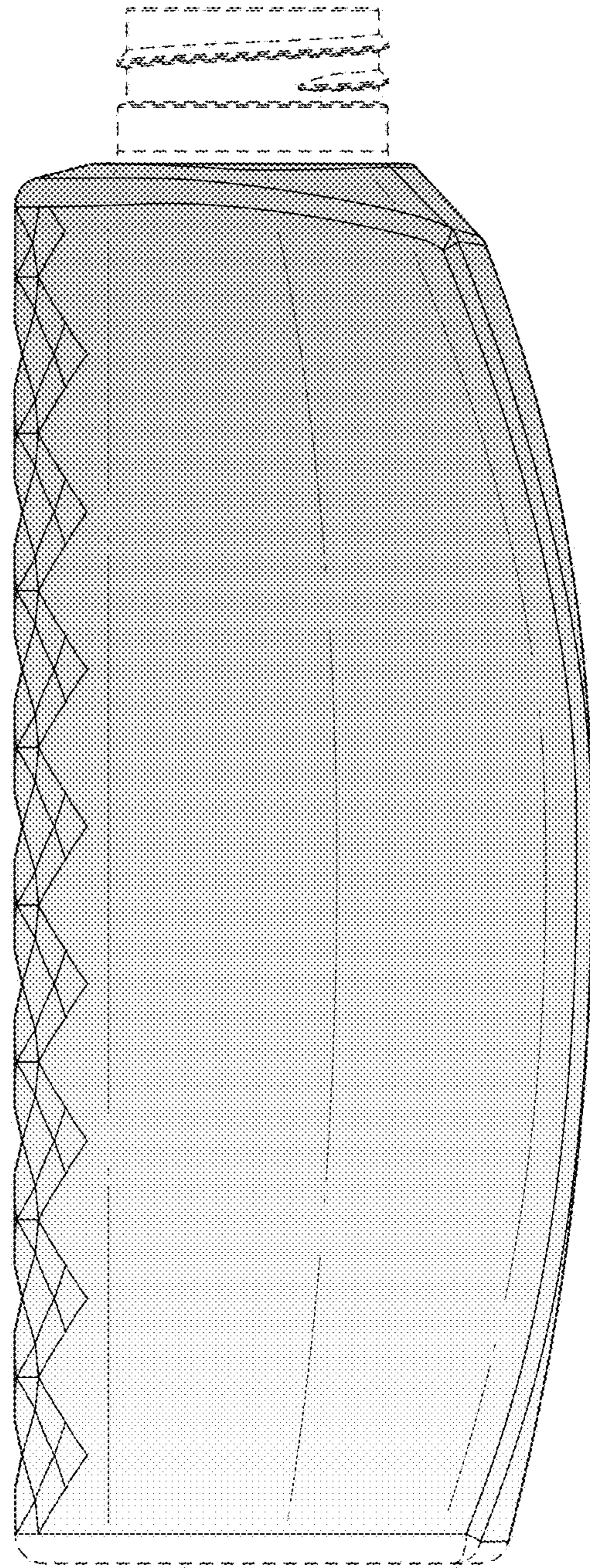


FIG. 12



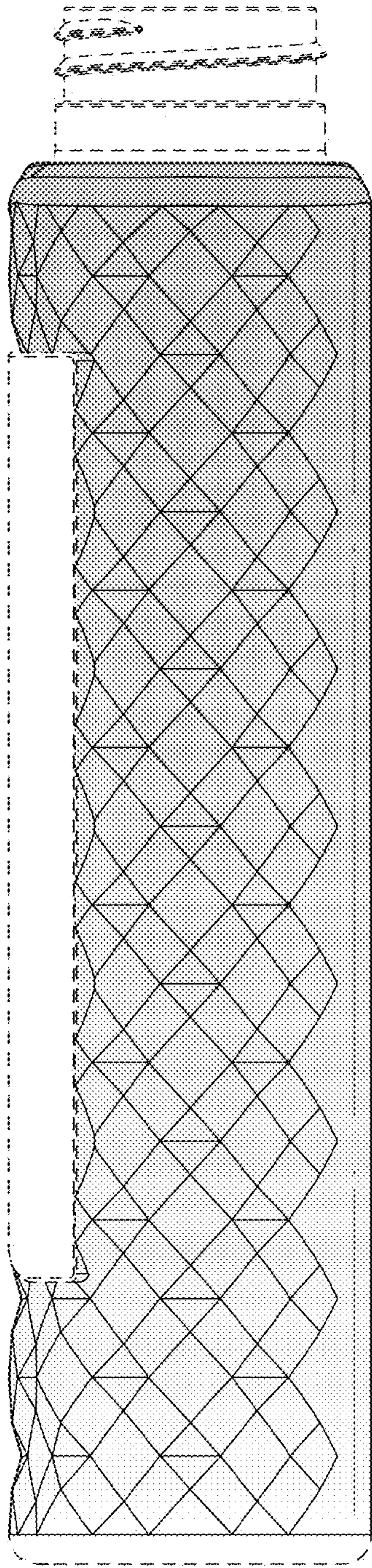


FIG. 13

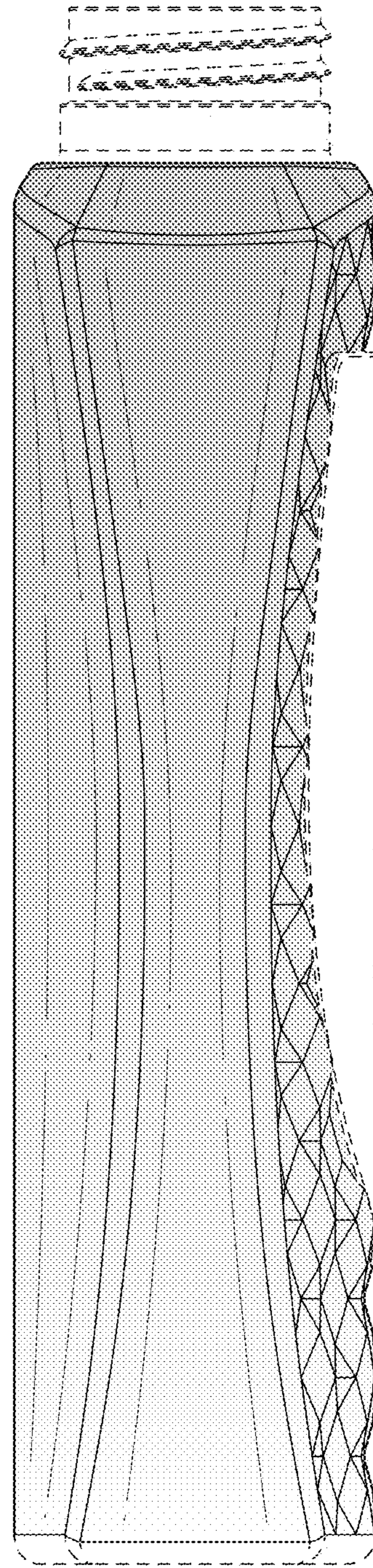


FIG. 14

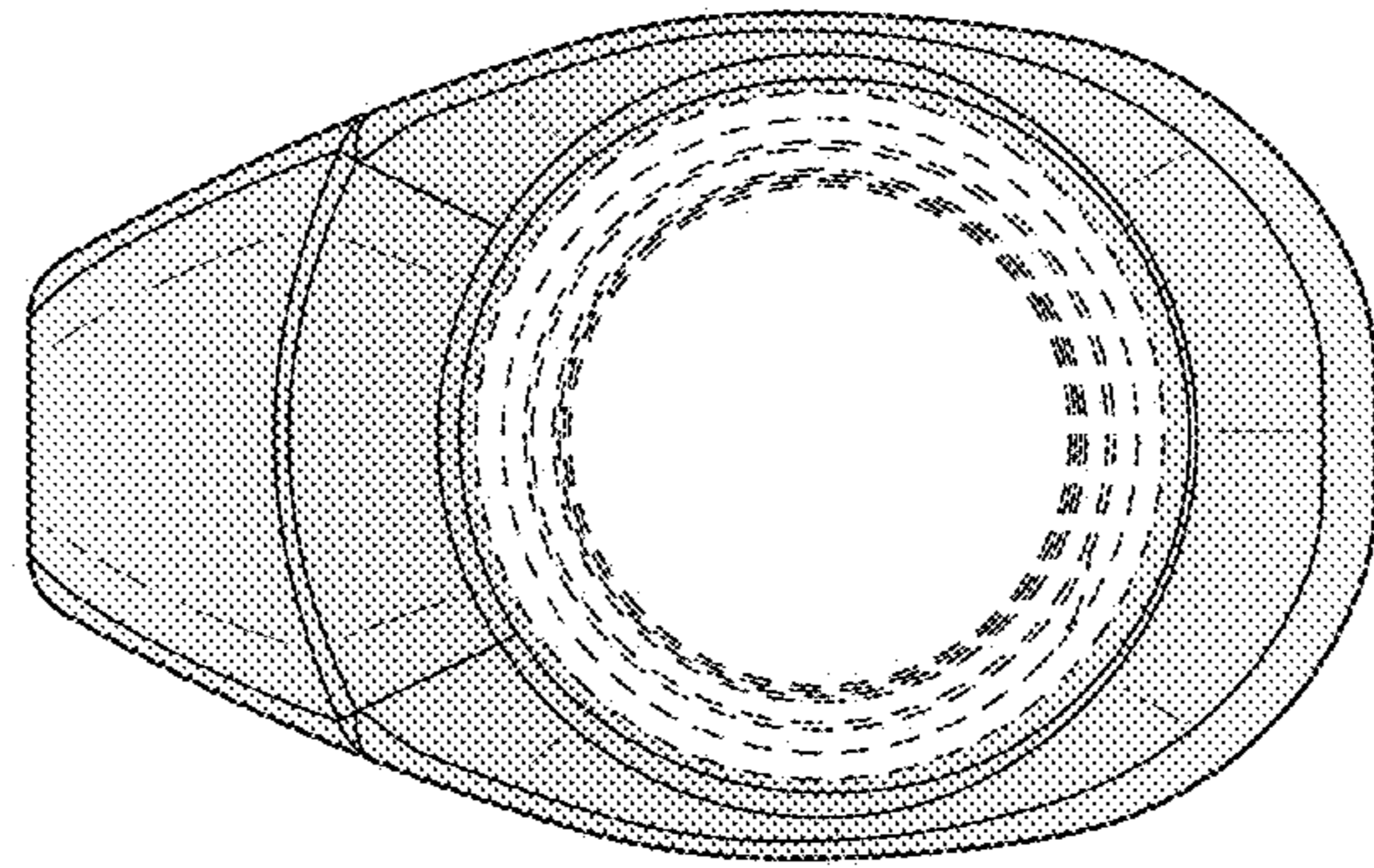


FIG. 15

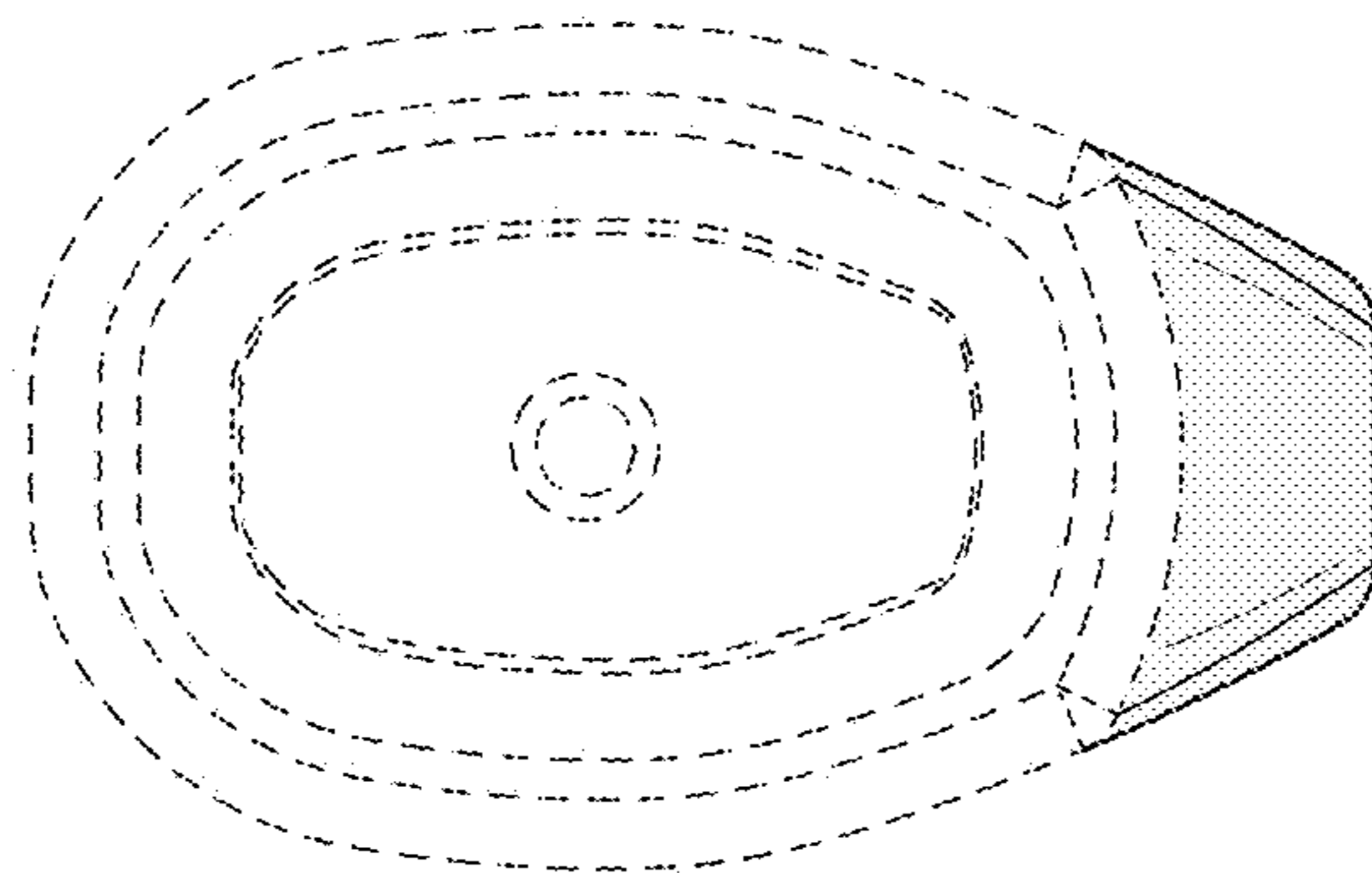


FIG. 16



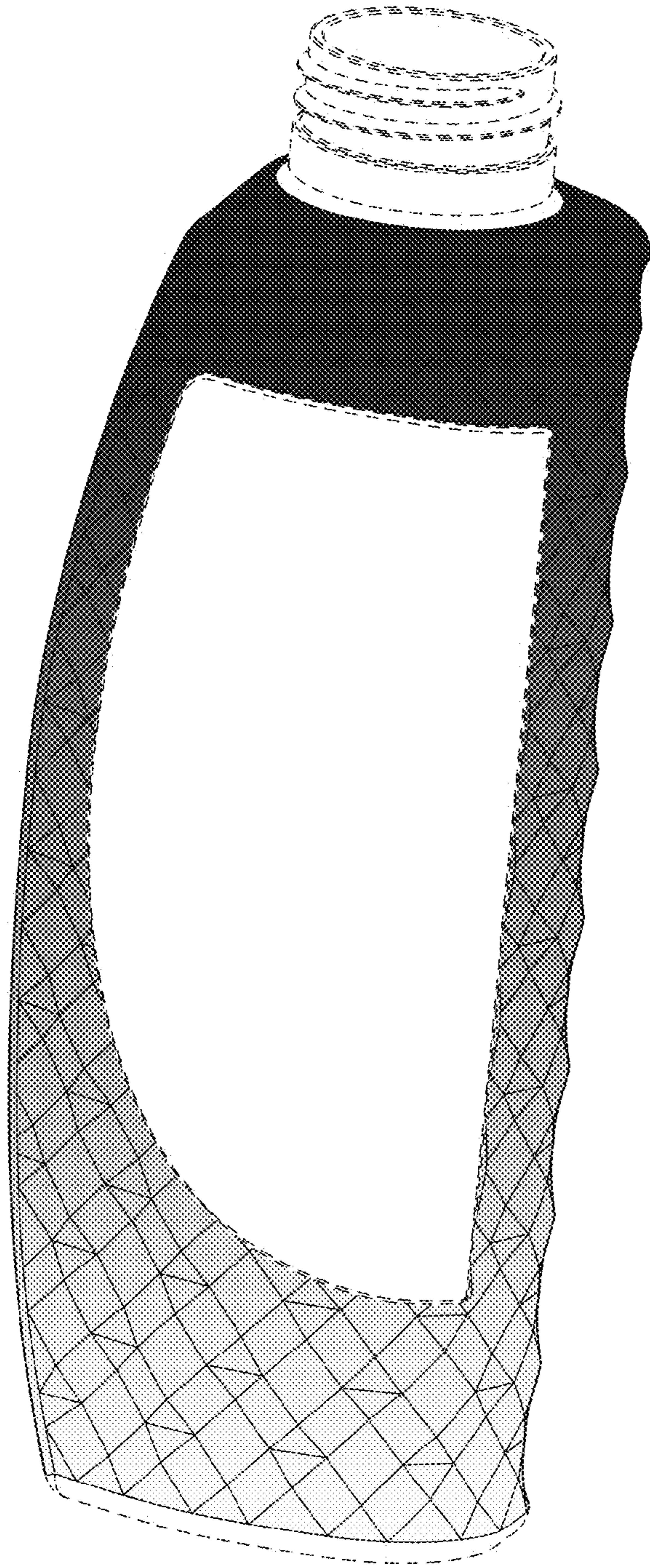


FIG. 17

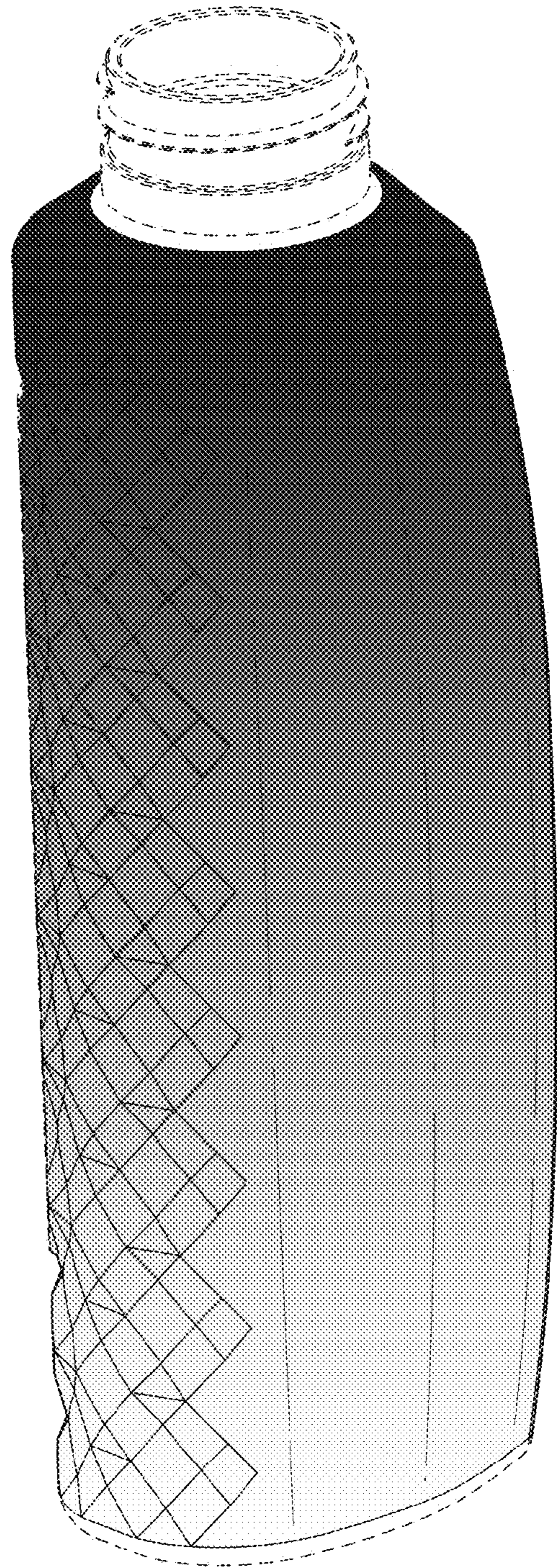


FIG. 18



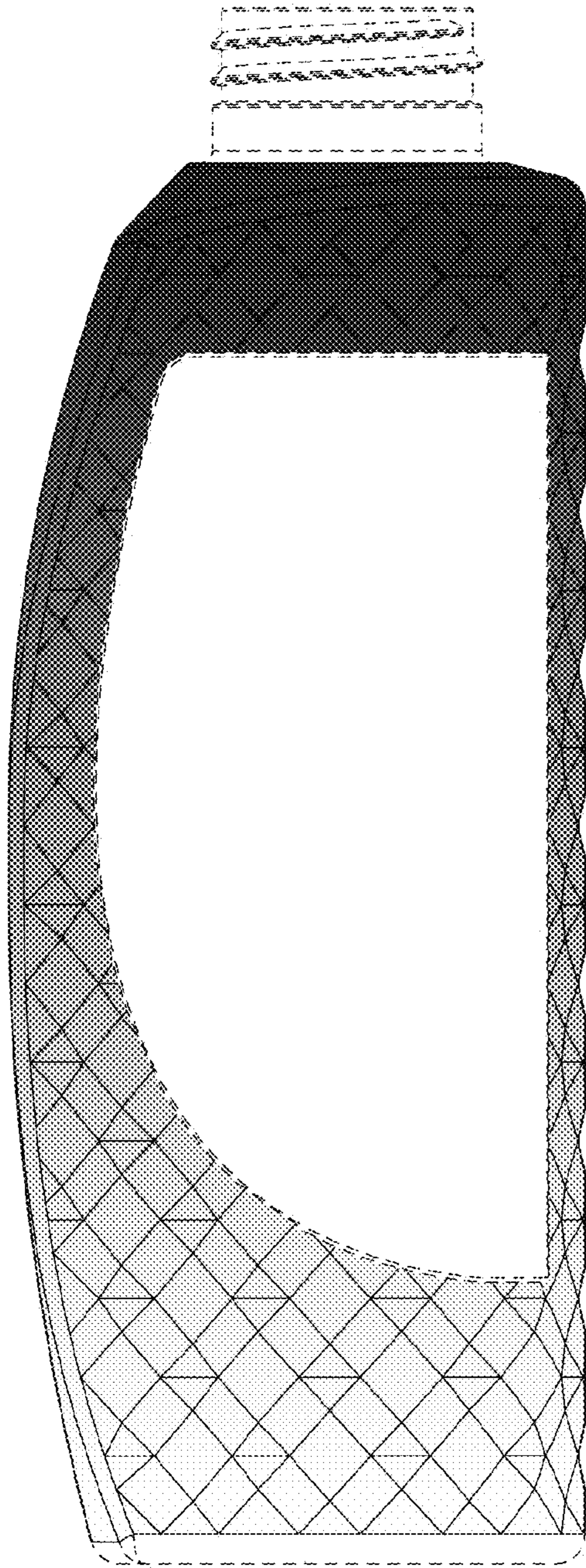


FIG. 19

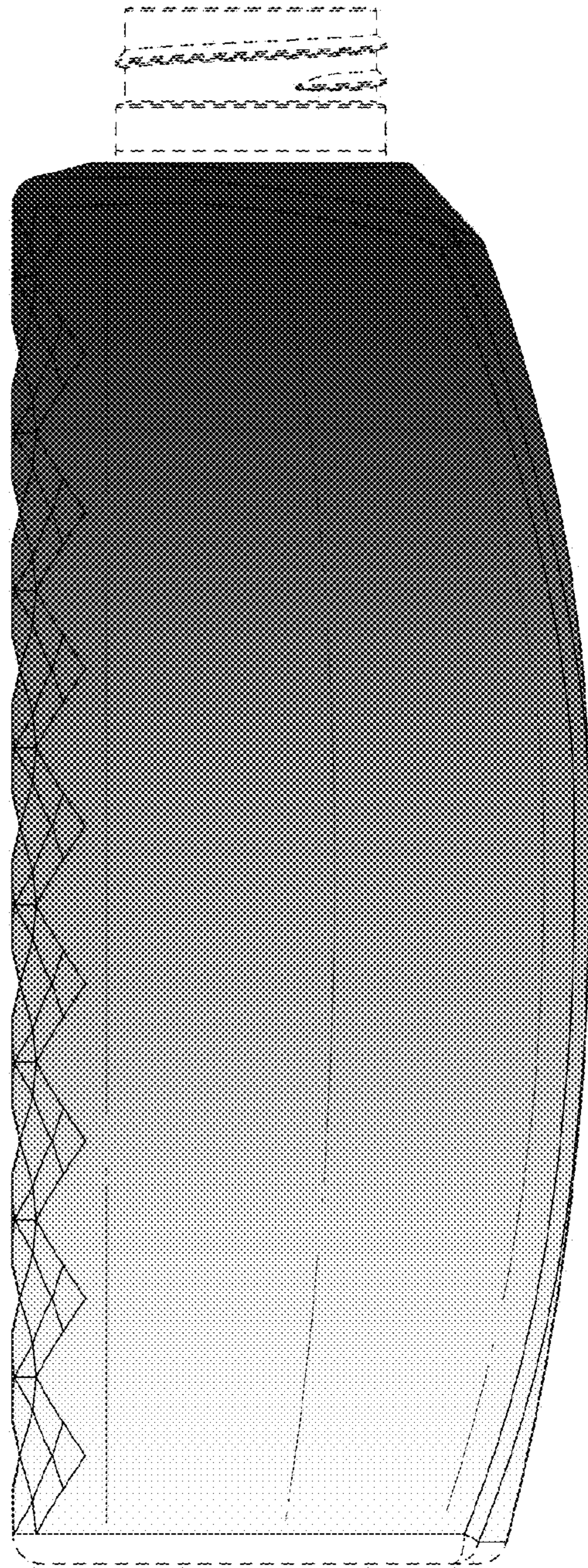


FIG. 20



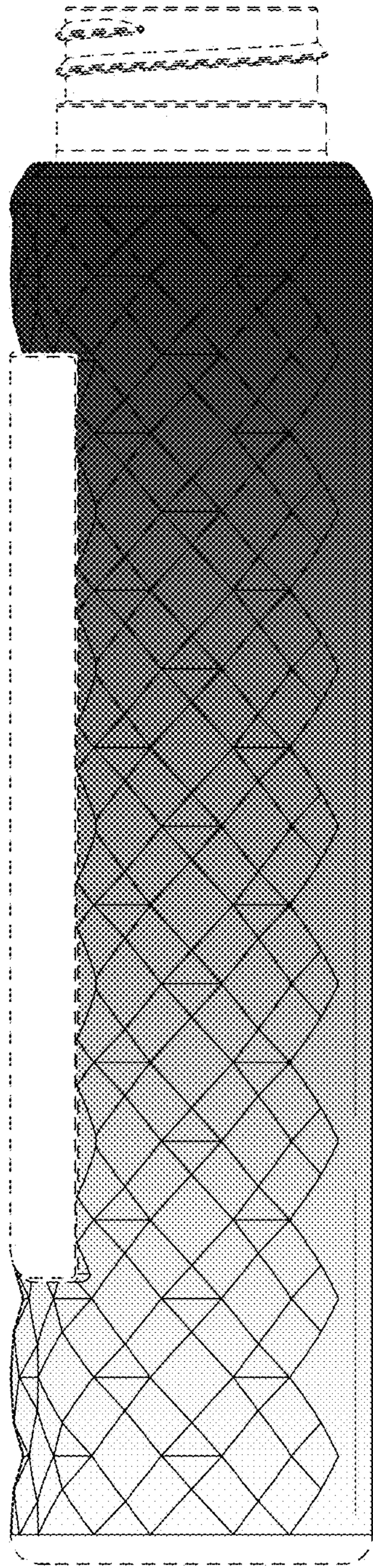


FIG. 21

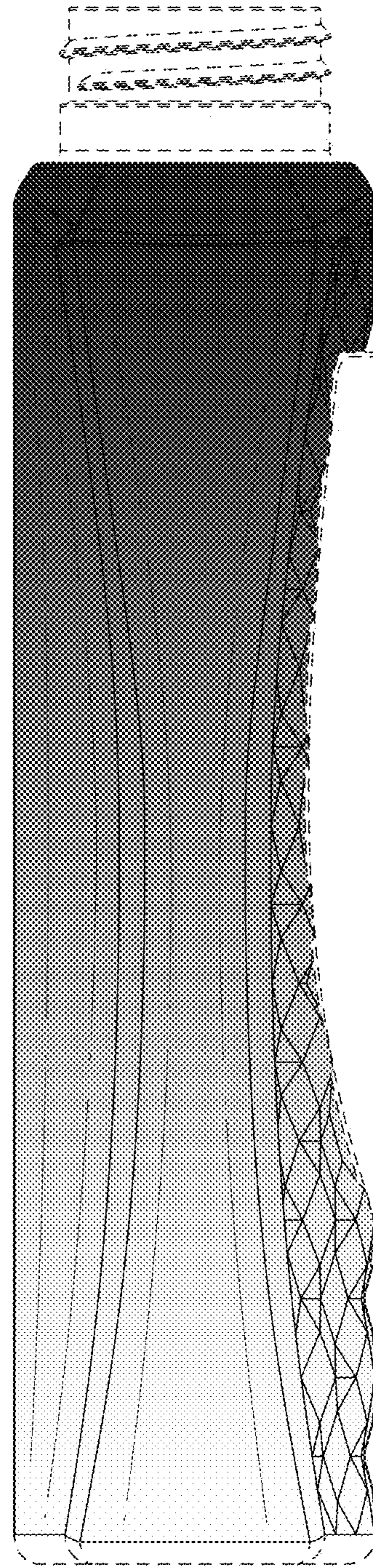


FIG. 22

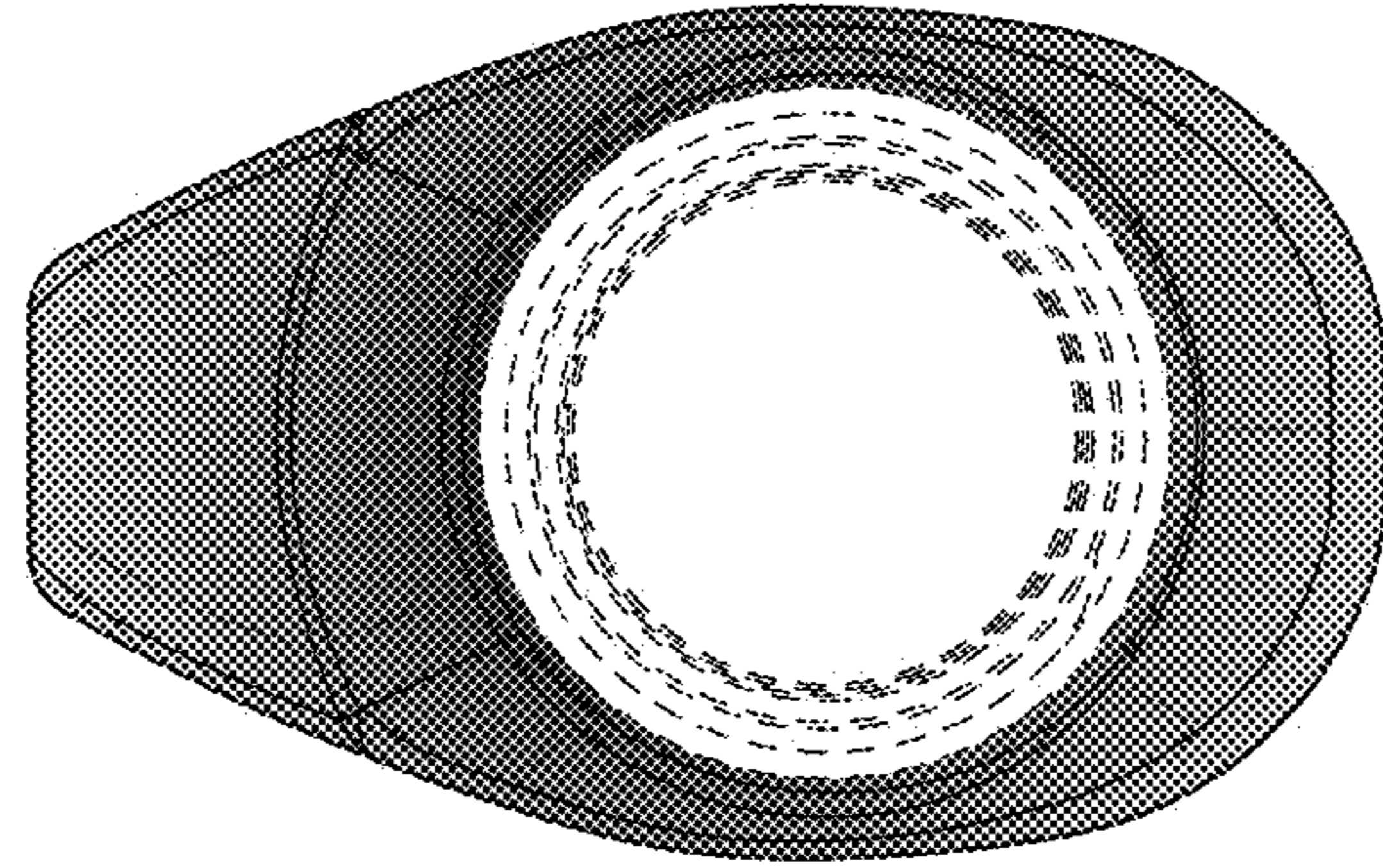


FIG. 23

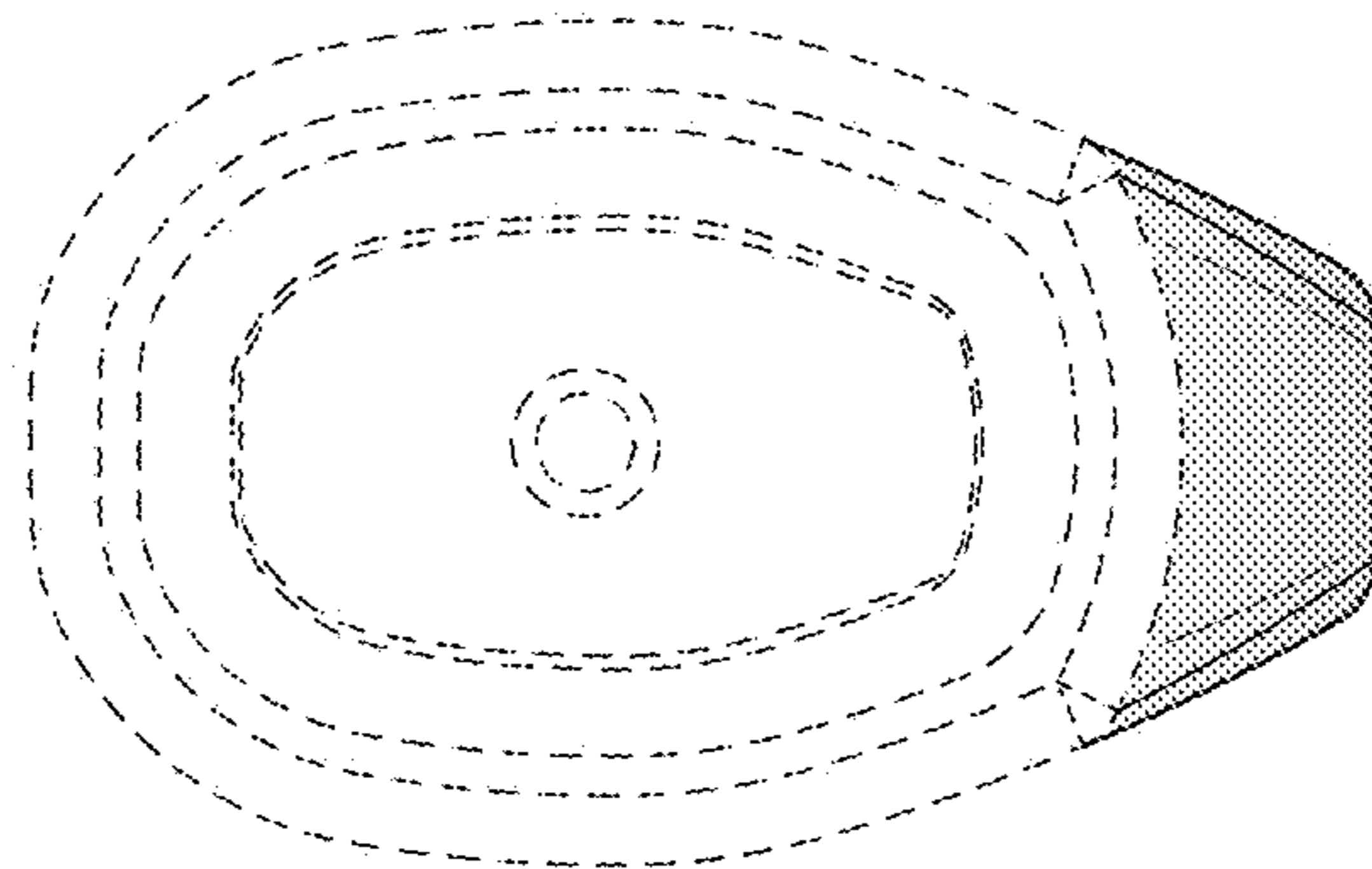


FIG. 24



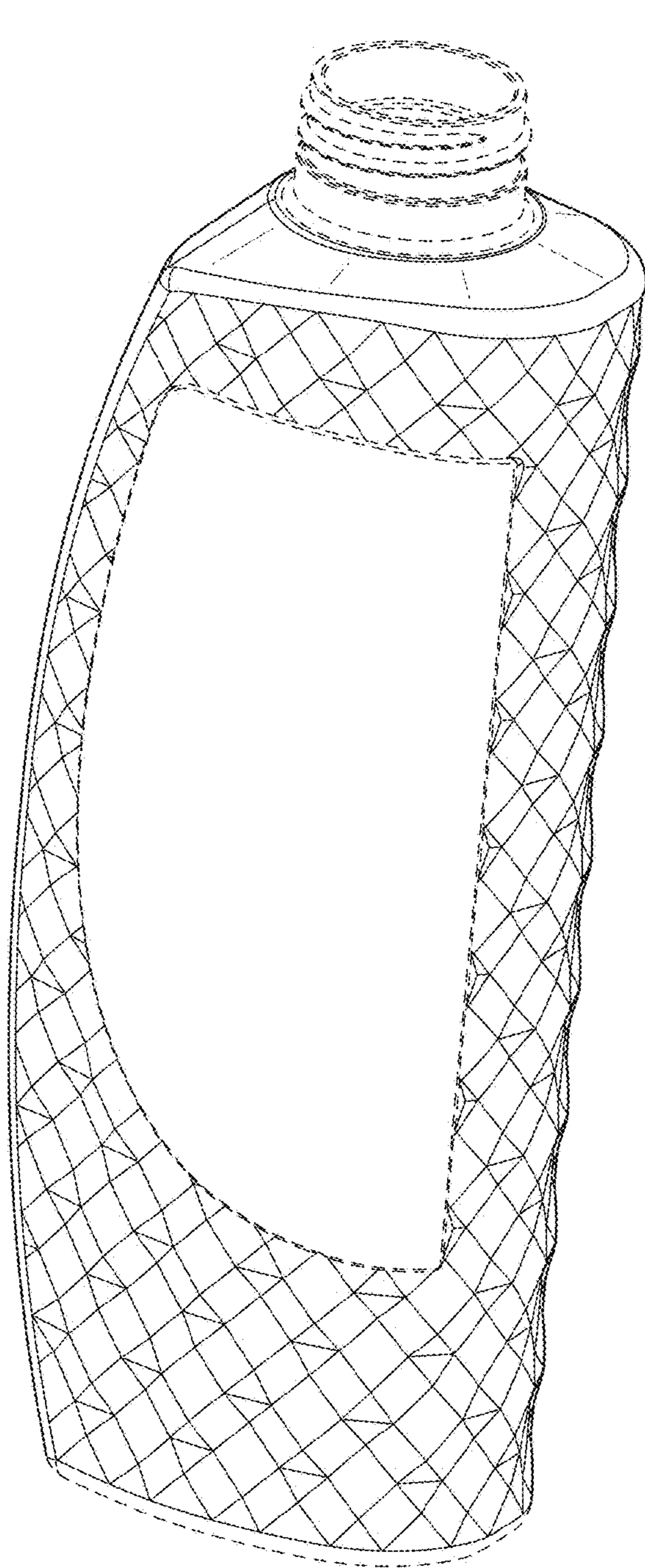


FIG. 25

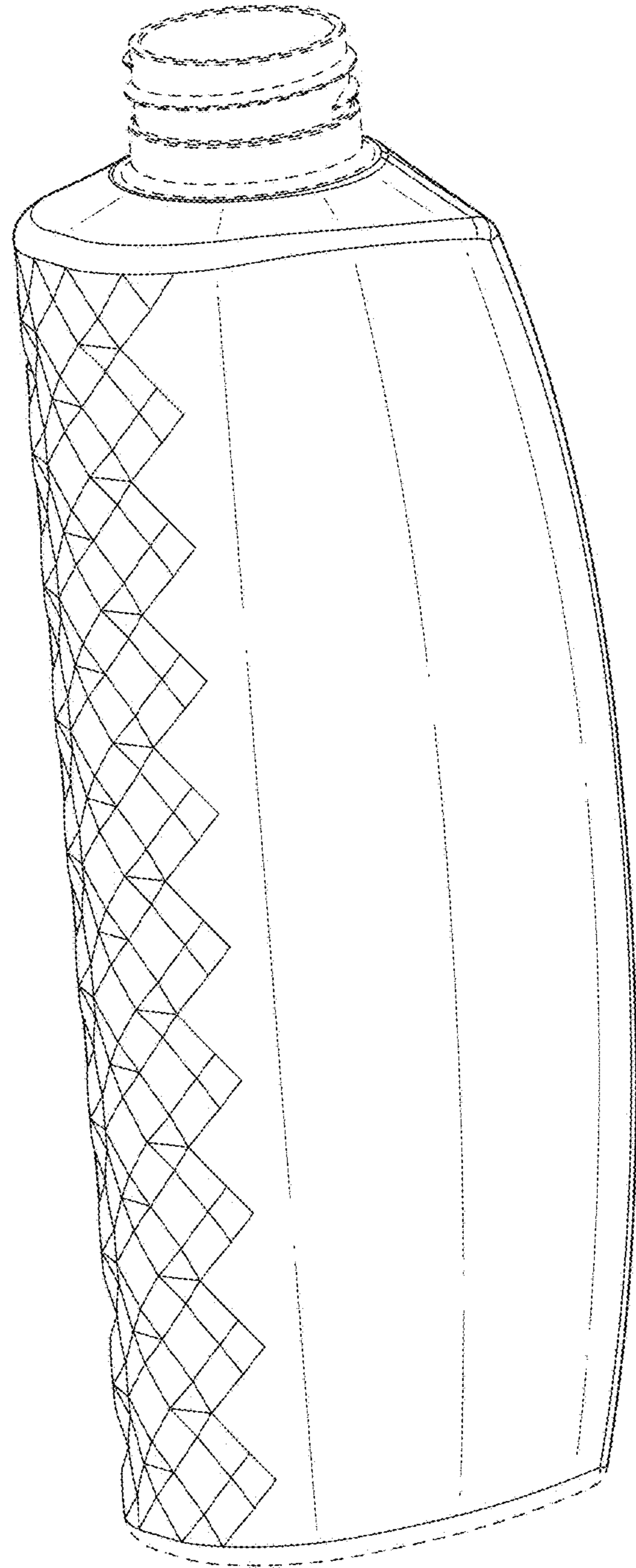


FIG. 26

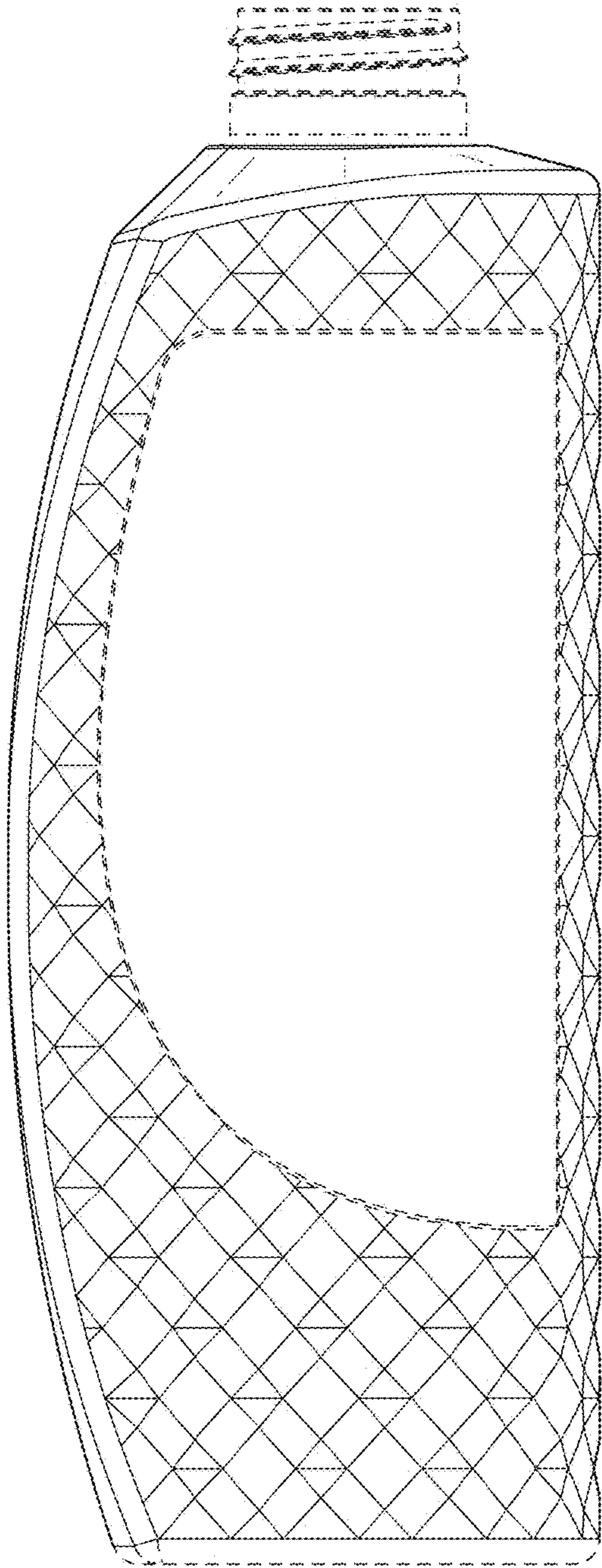


FIG. 27

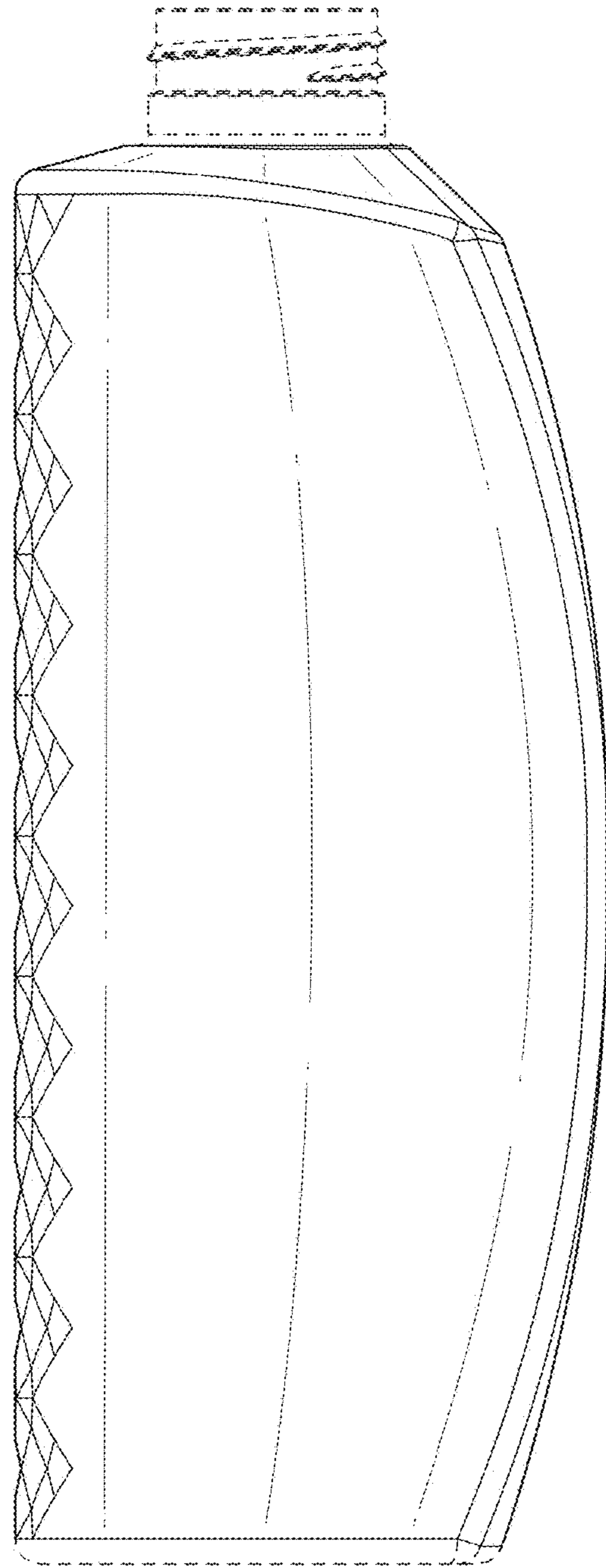


FIG. 28



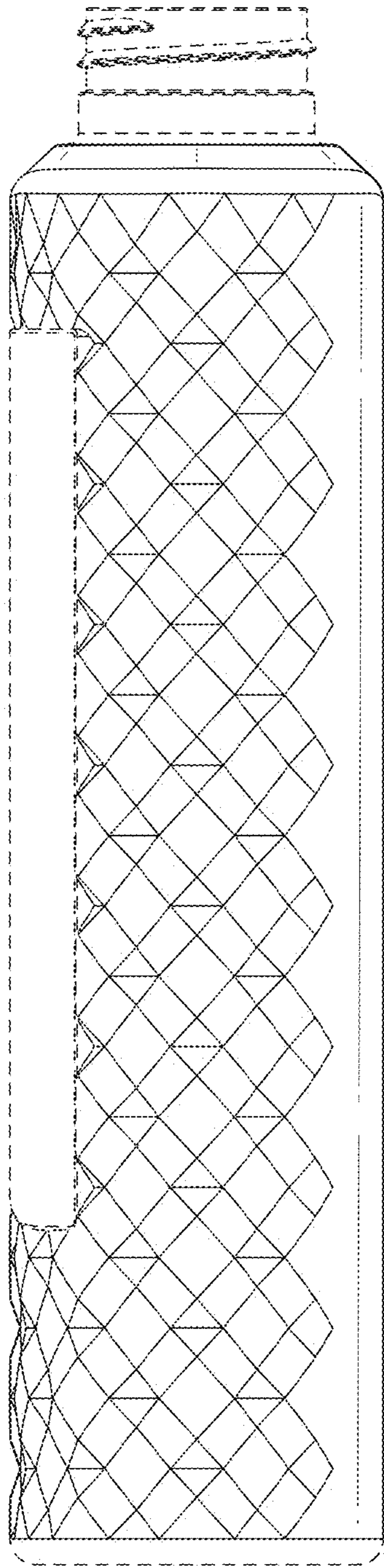


FIG. 29

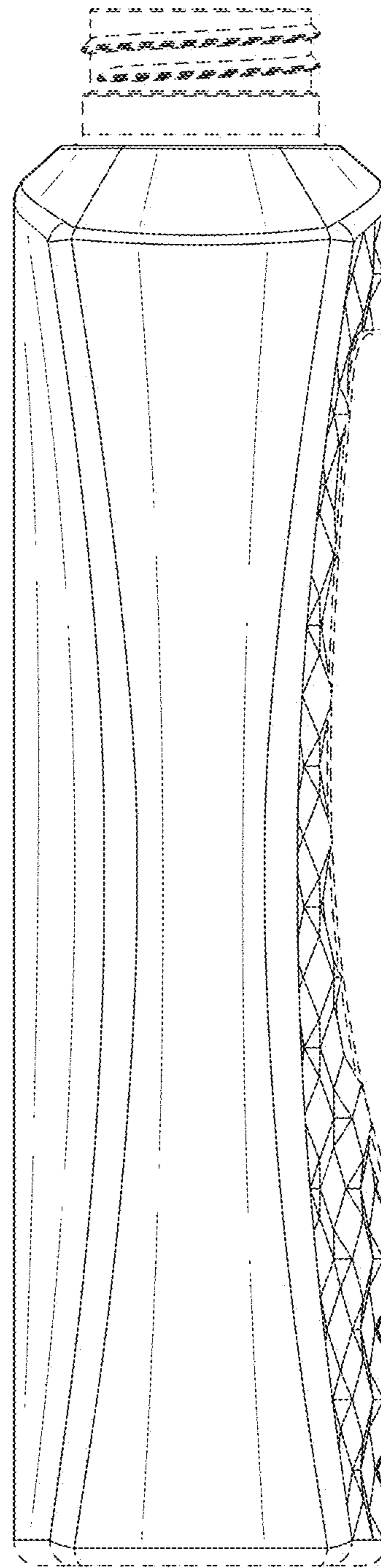


FIG. 30



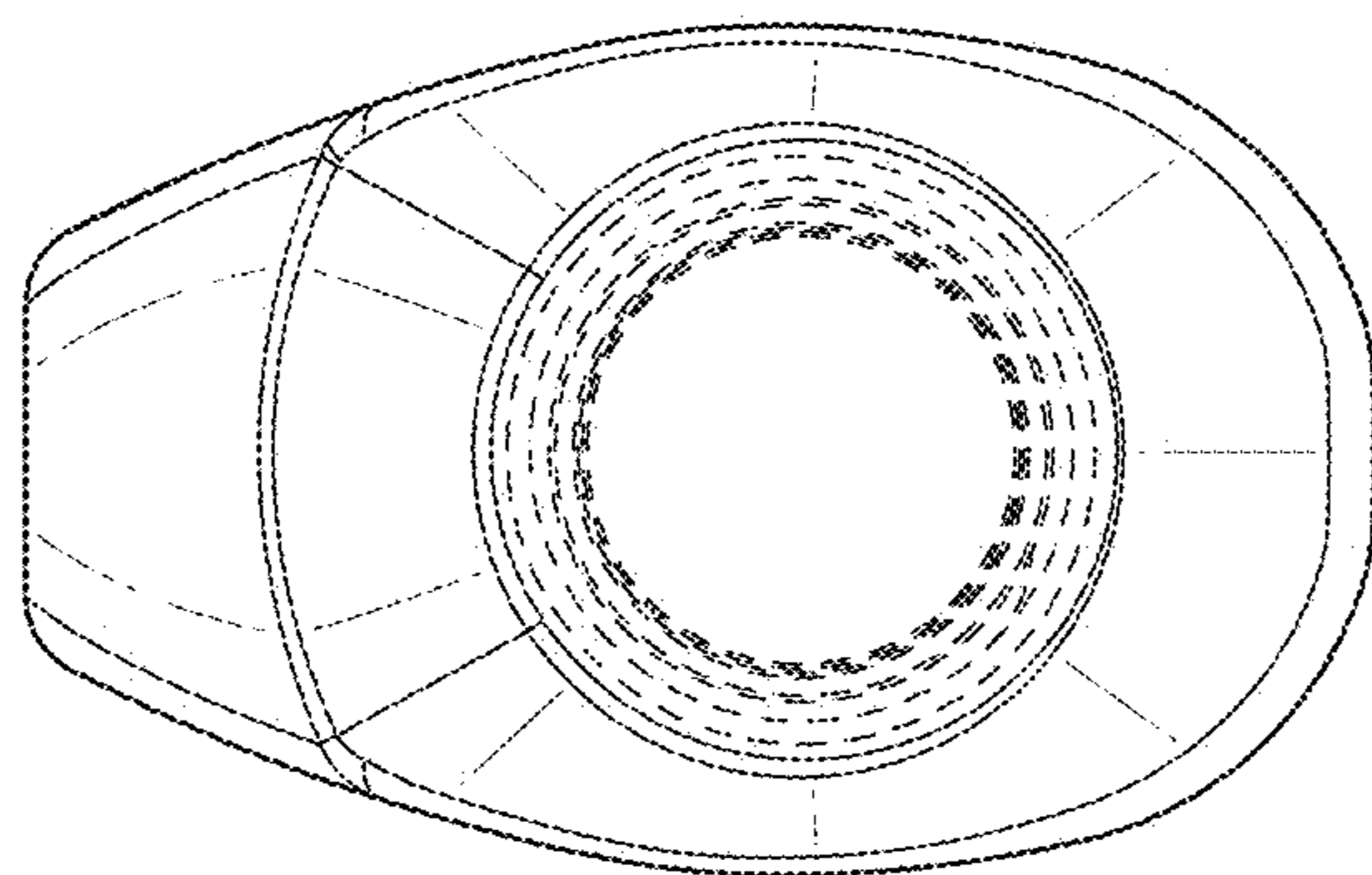


FIG. 31

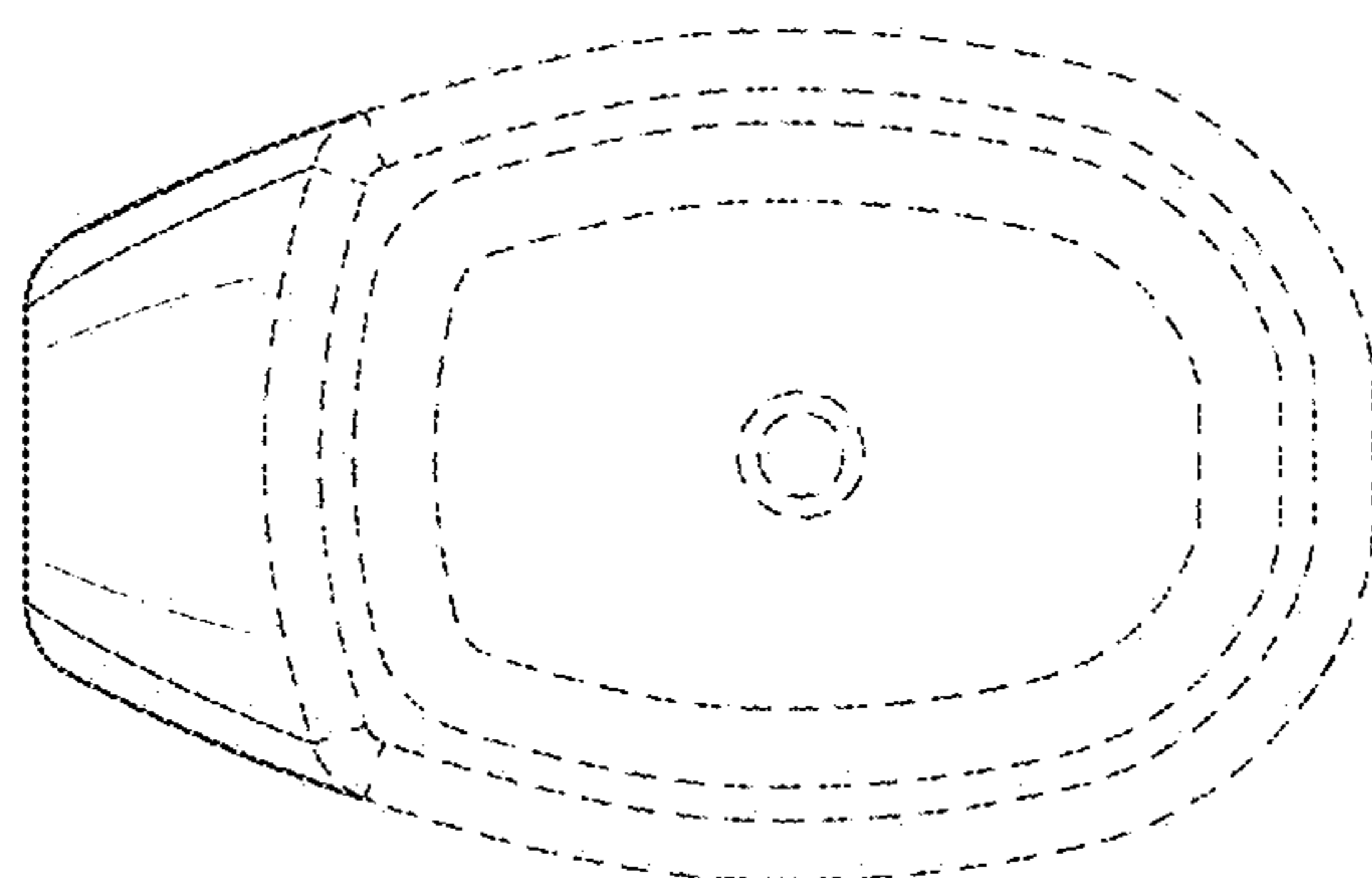


FIG. 32



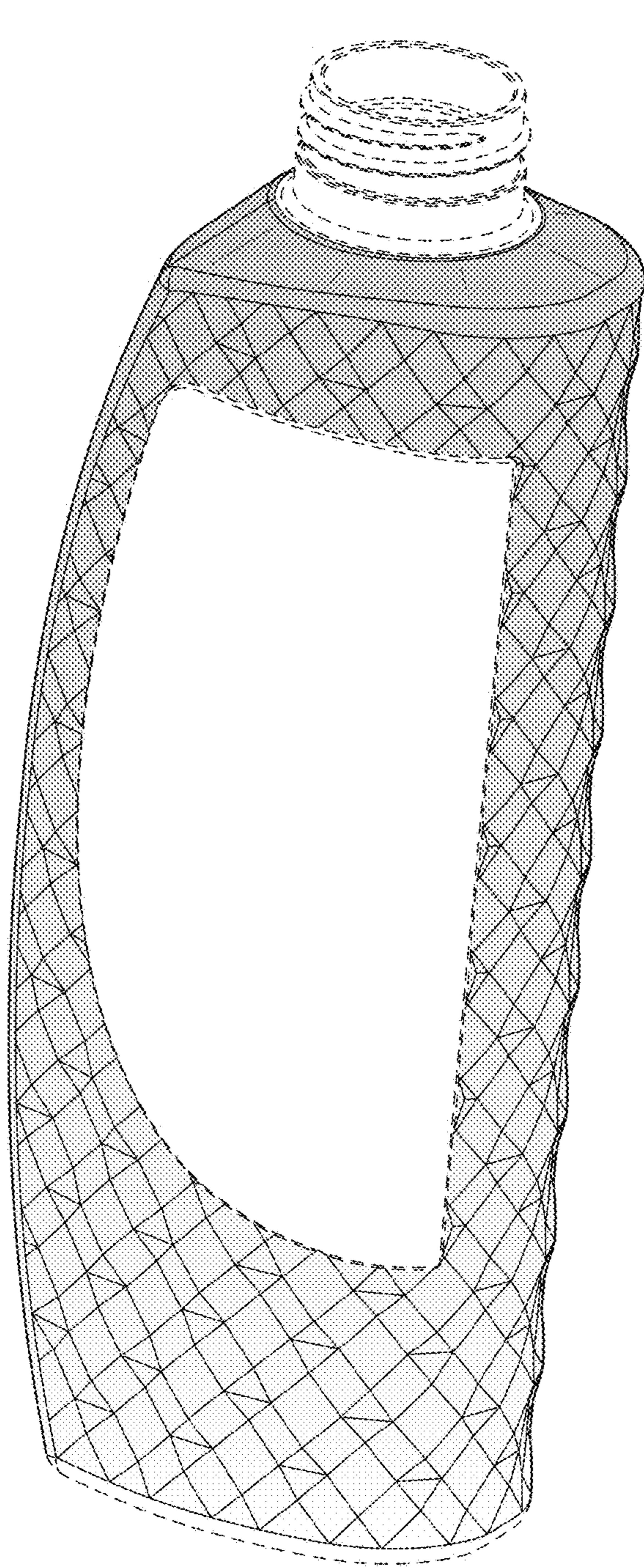


FIG. 33

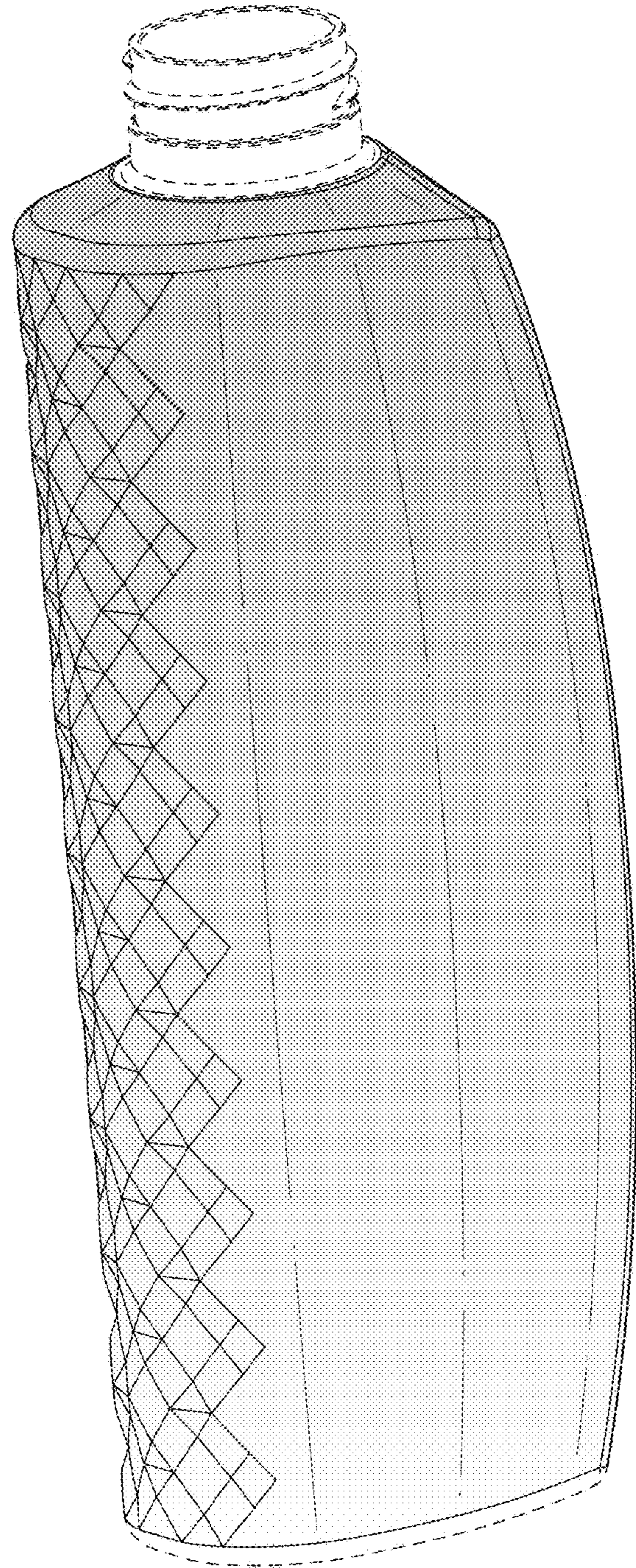


FIG. 34



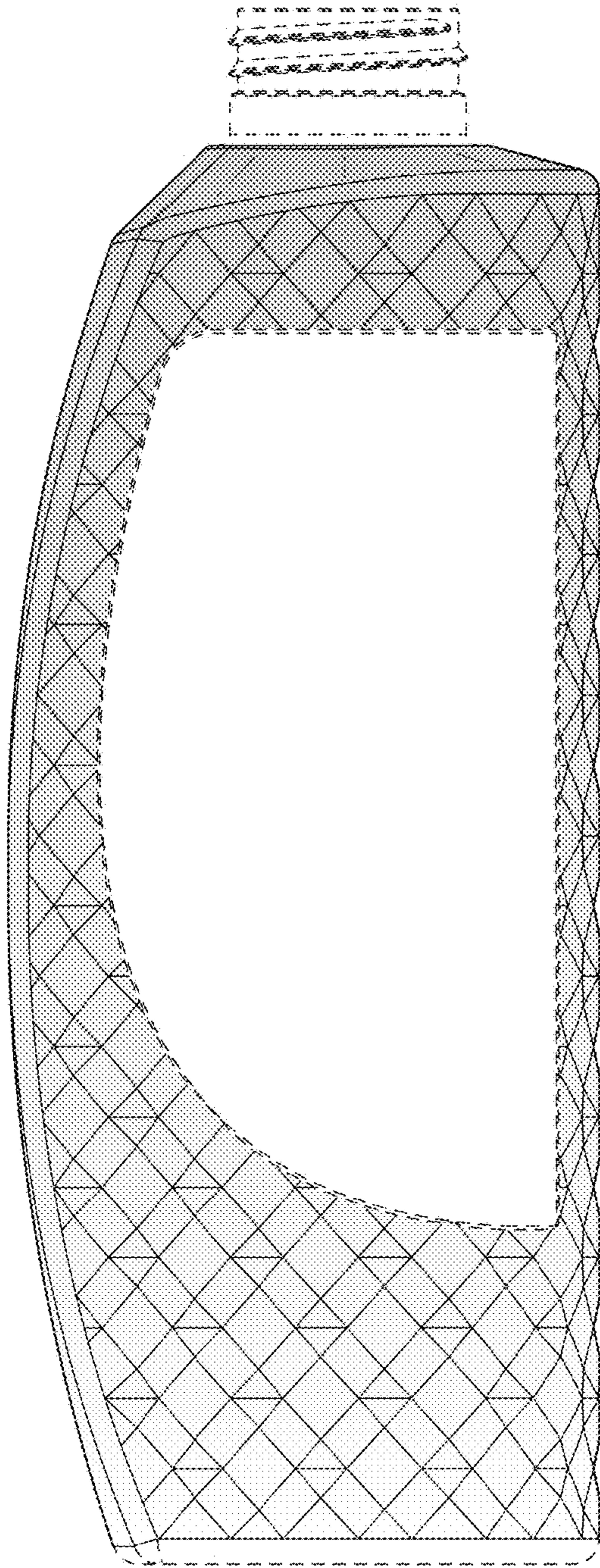


FIG. 35

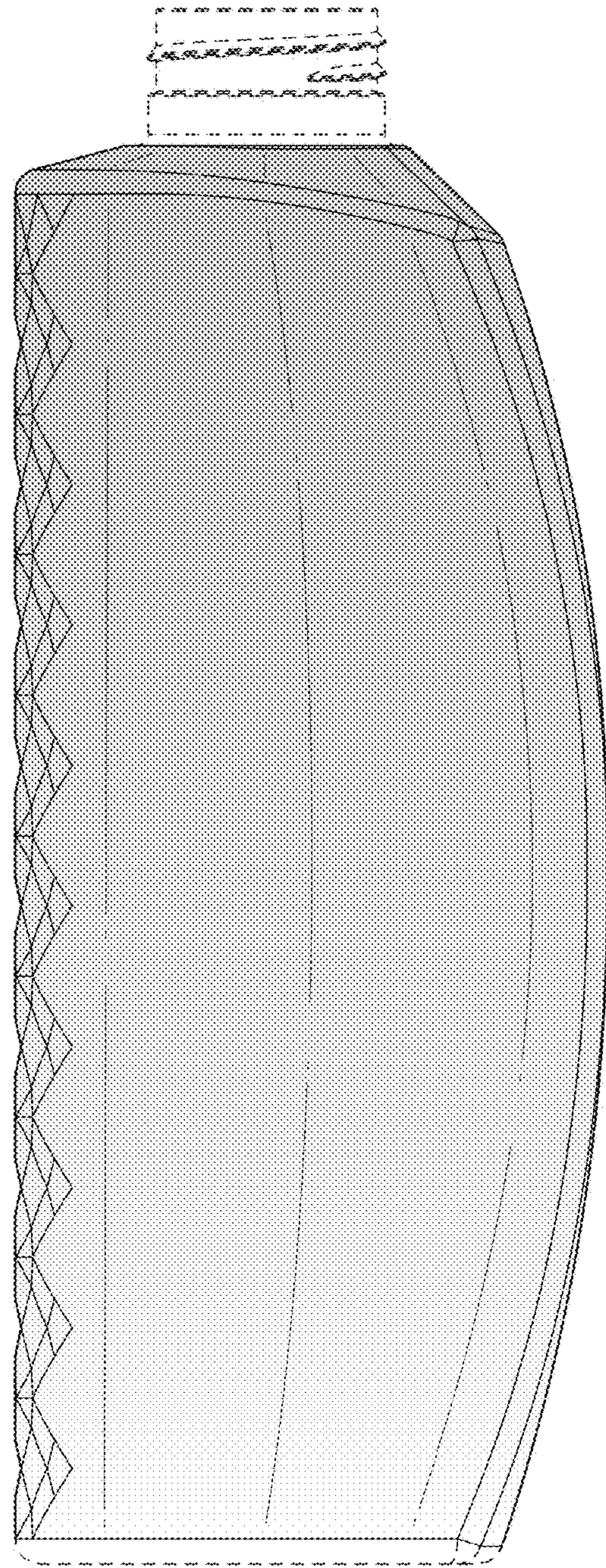


FIG. 36



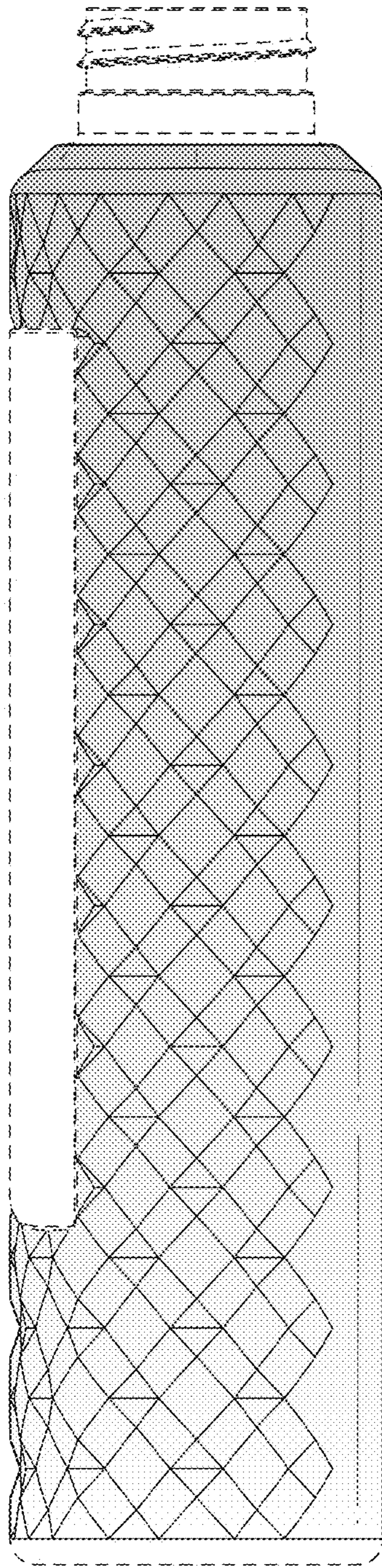


FIG. 37

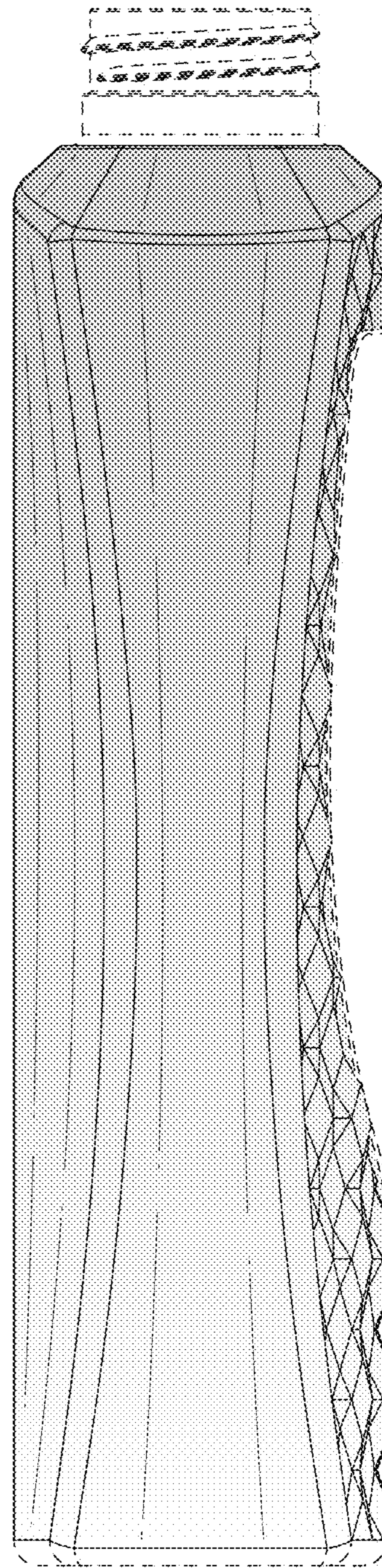


FIG. 38



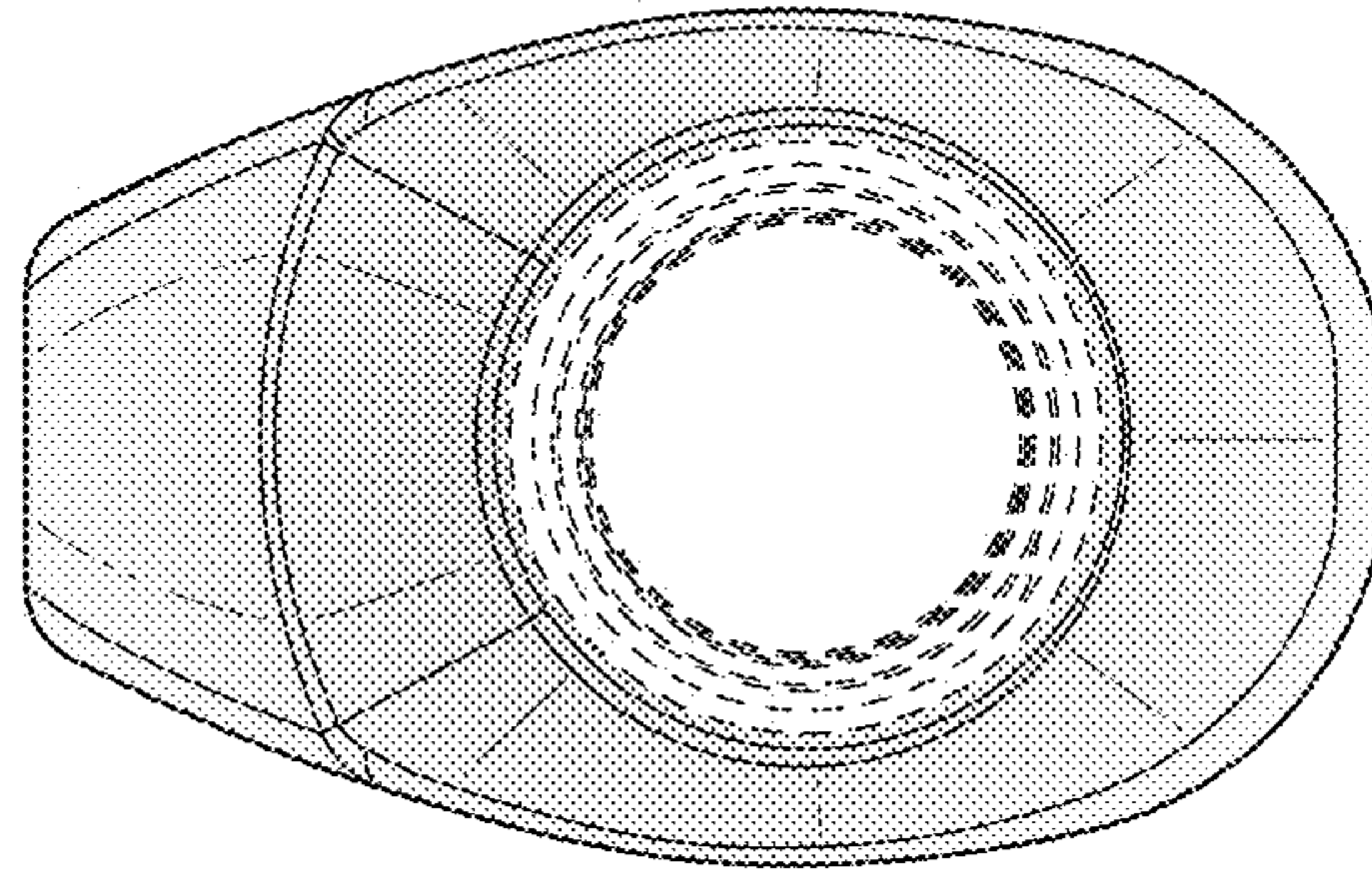


FIG. 39

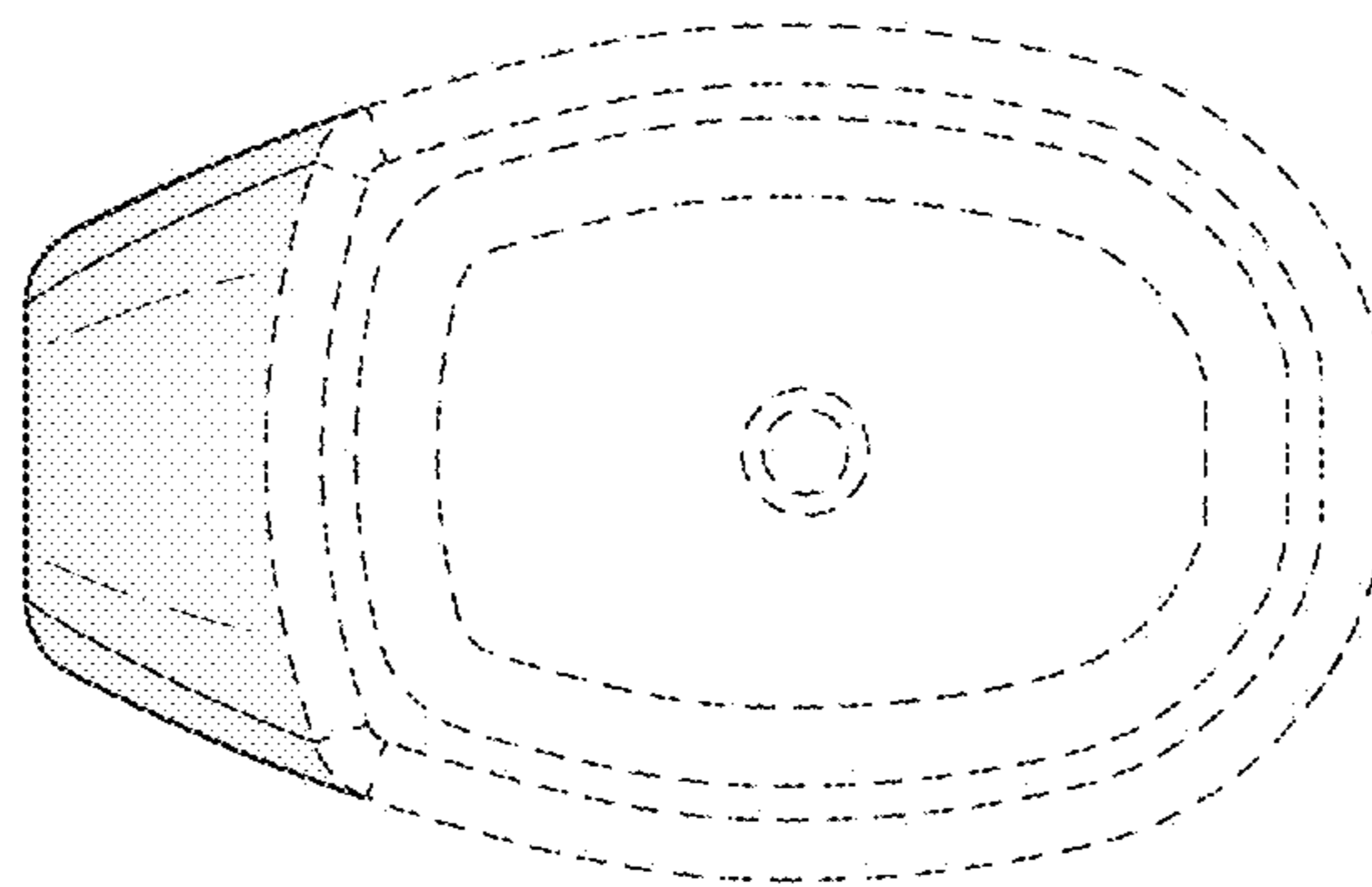


FIG. 40



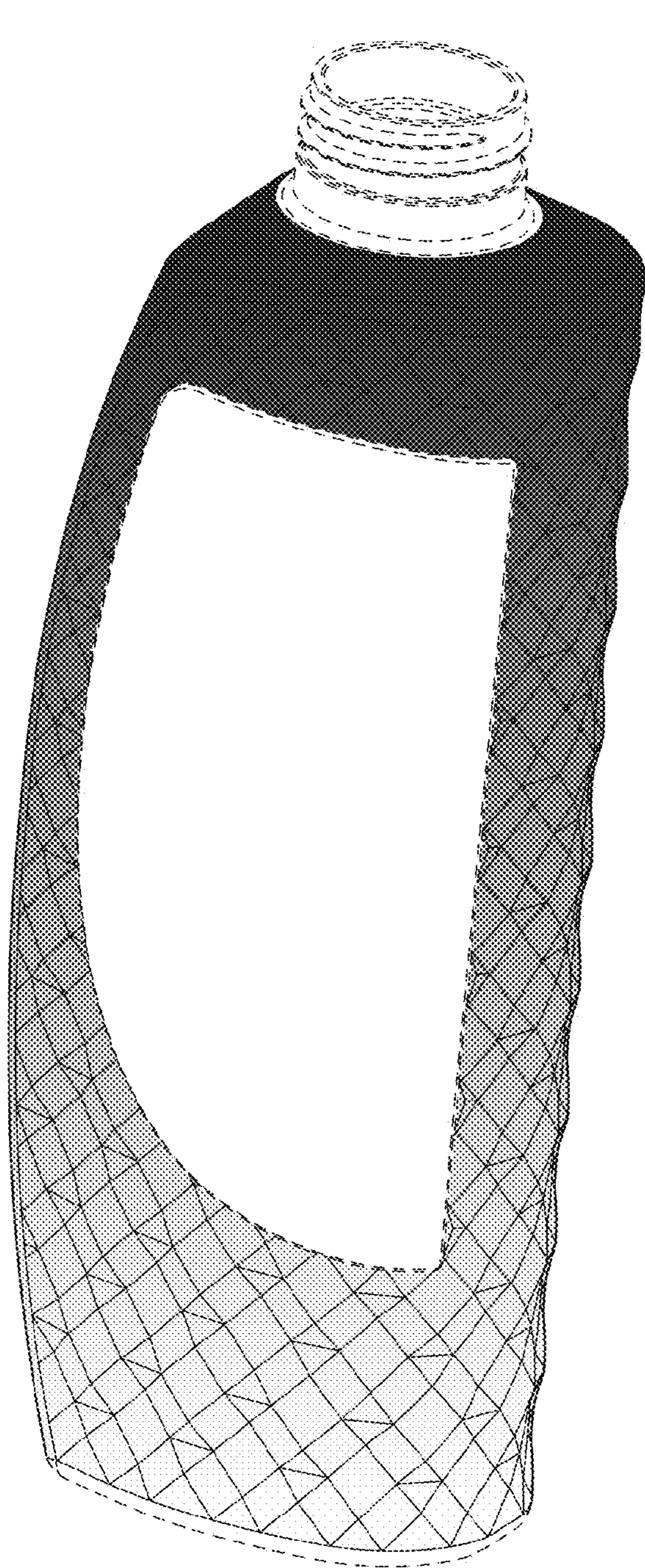


FIG. 41

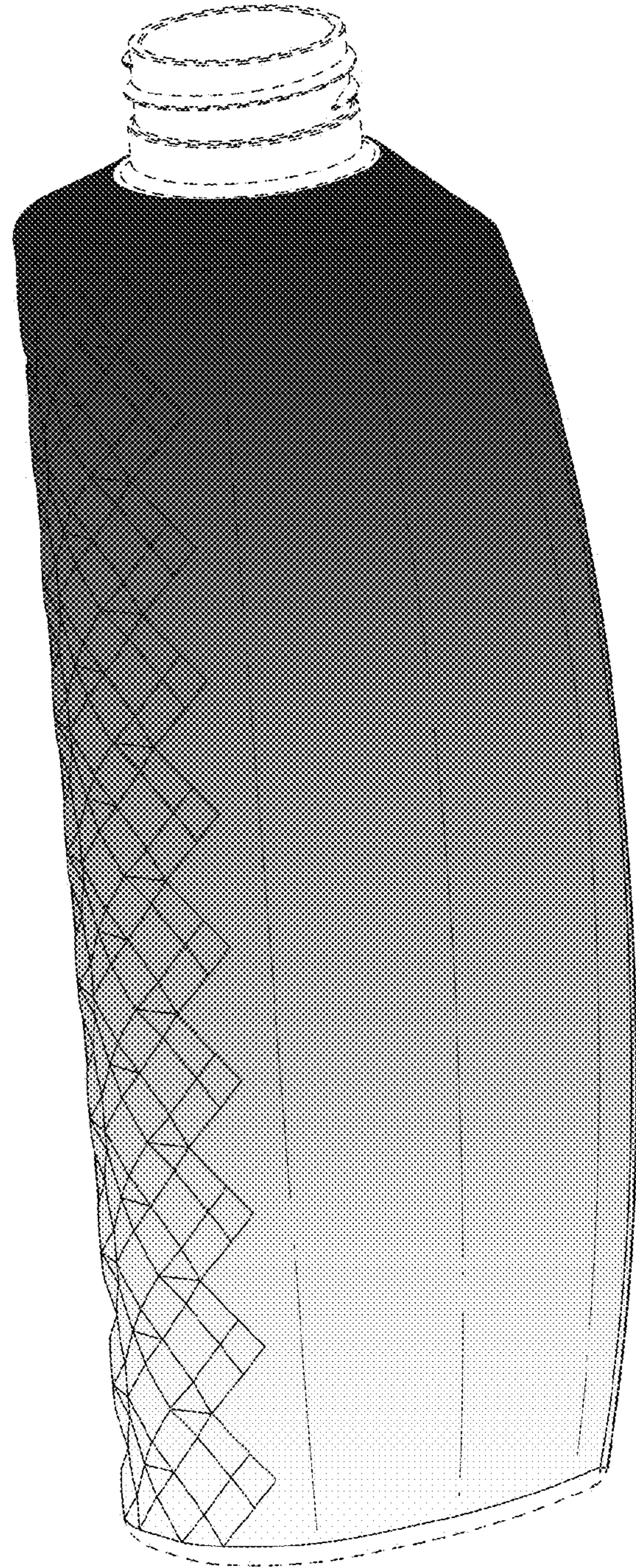


FIG. 42



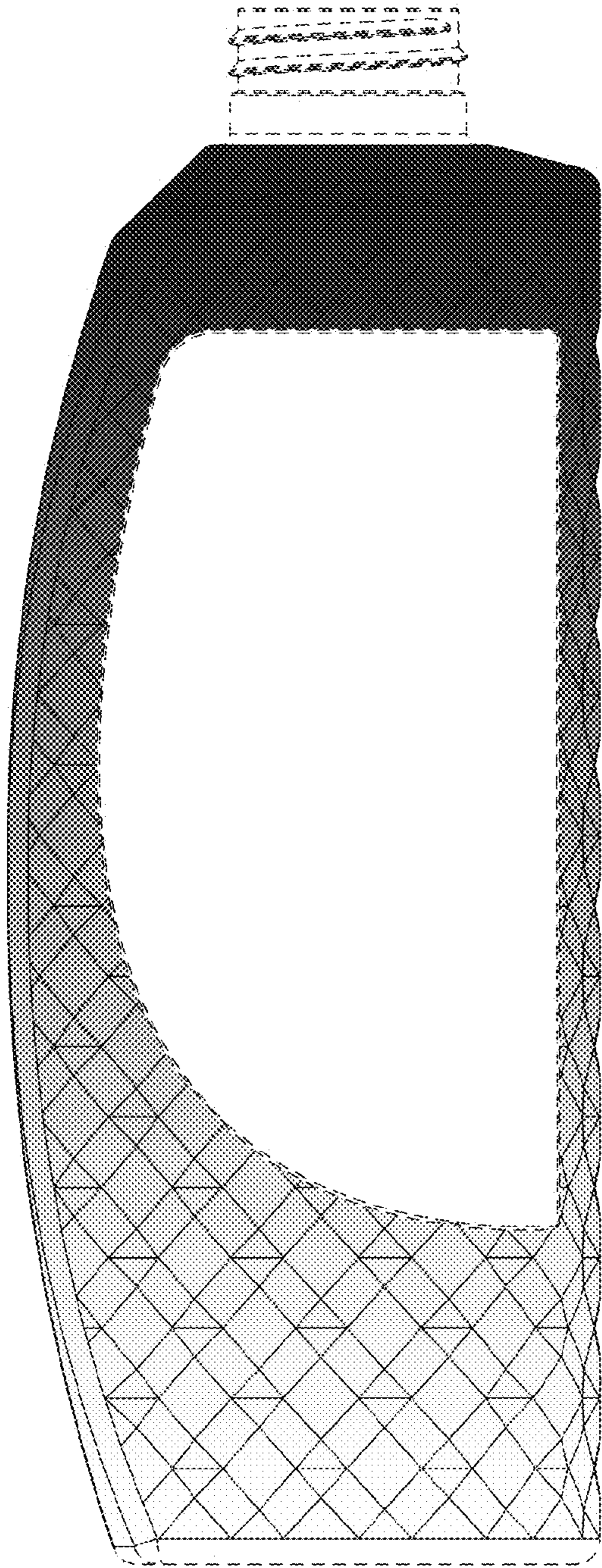


FIG. 43

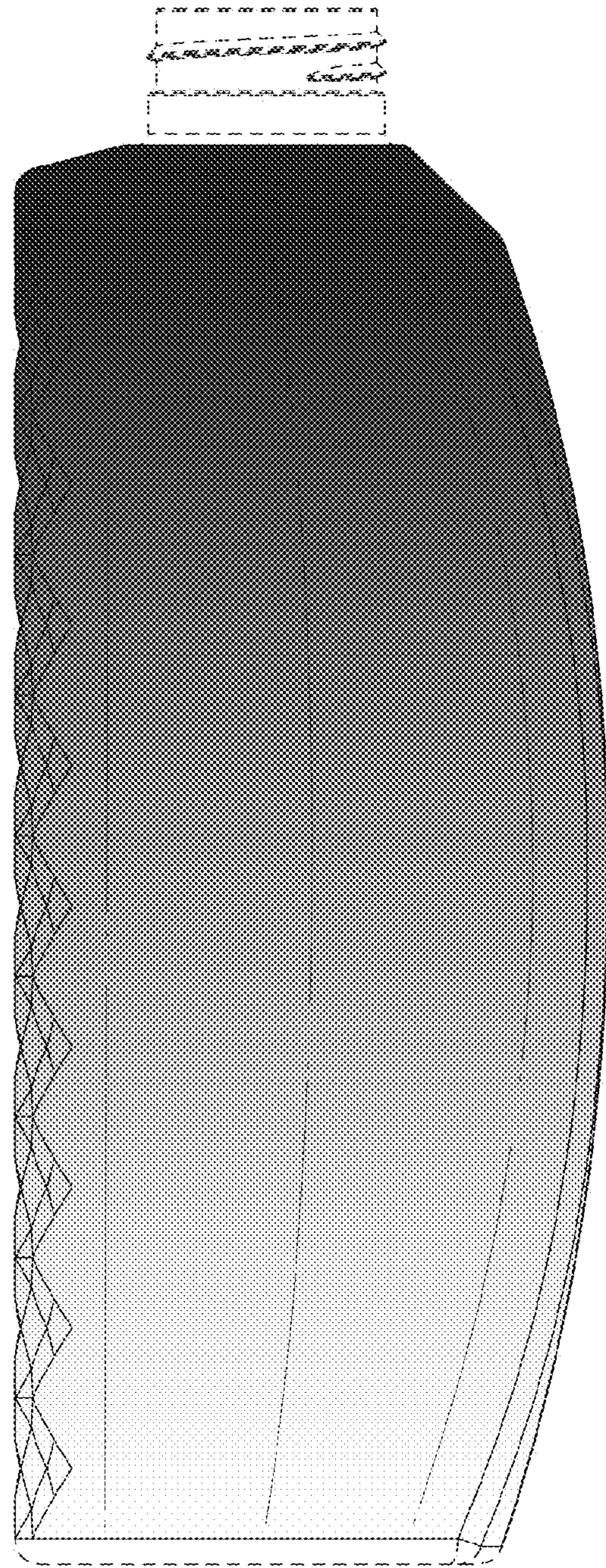


FIG. 44



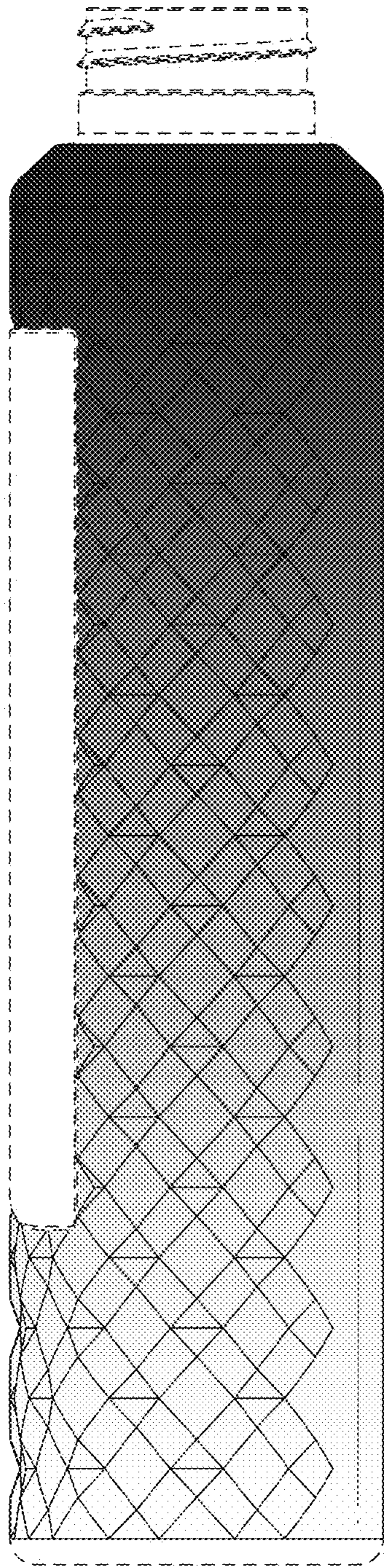


FIG. 45

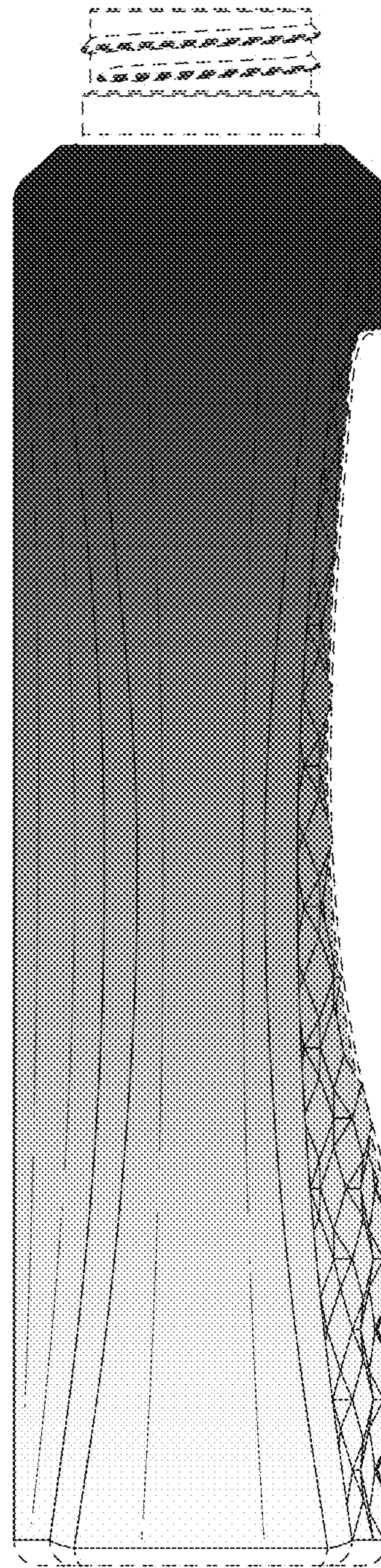


FIG. 46



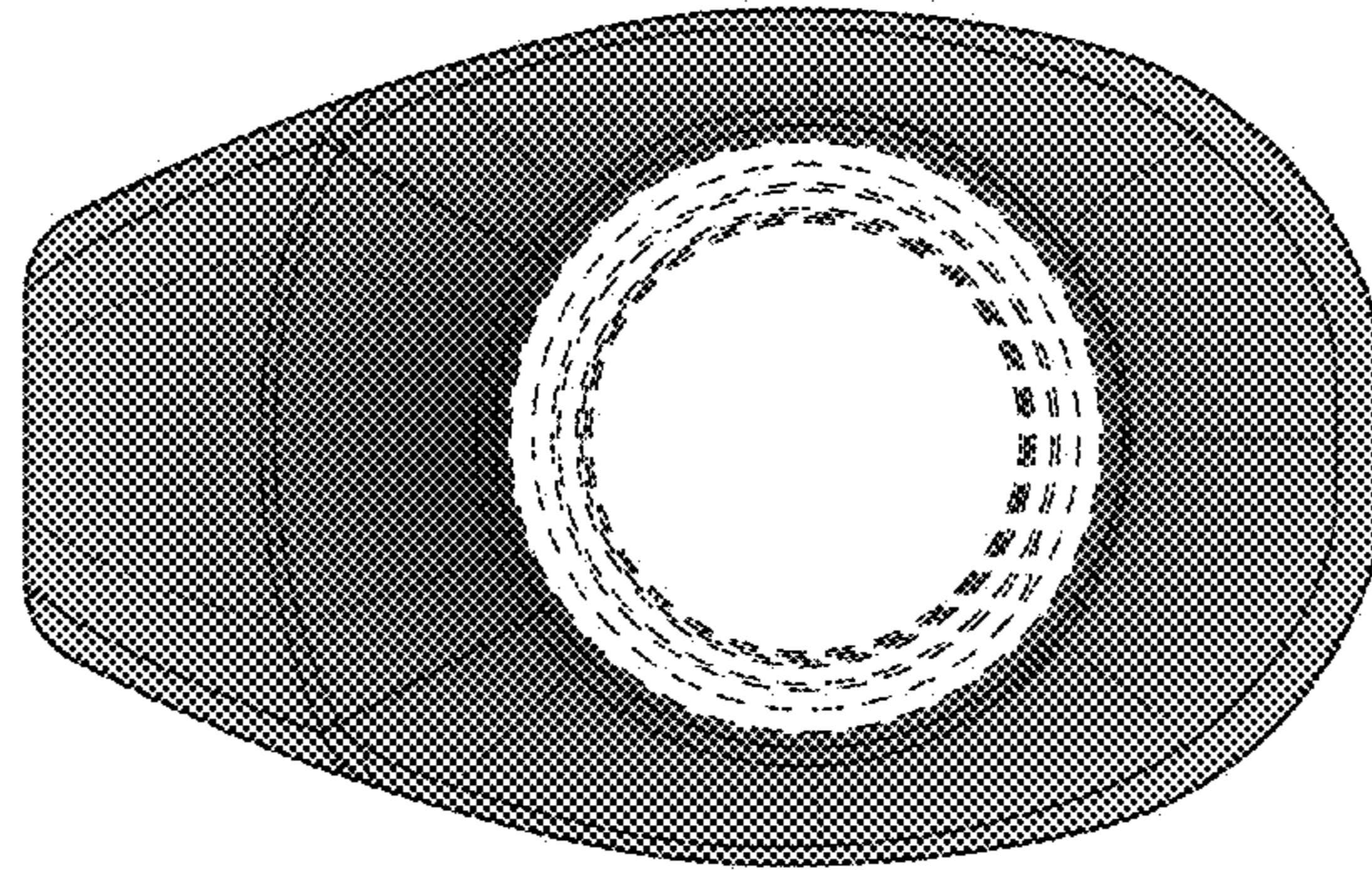


FIG. 47

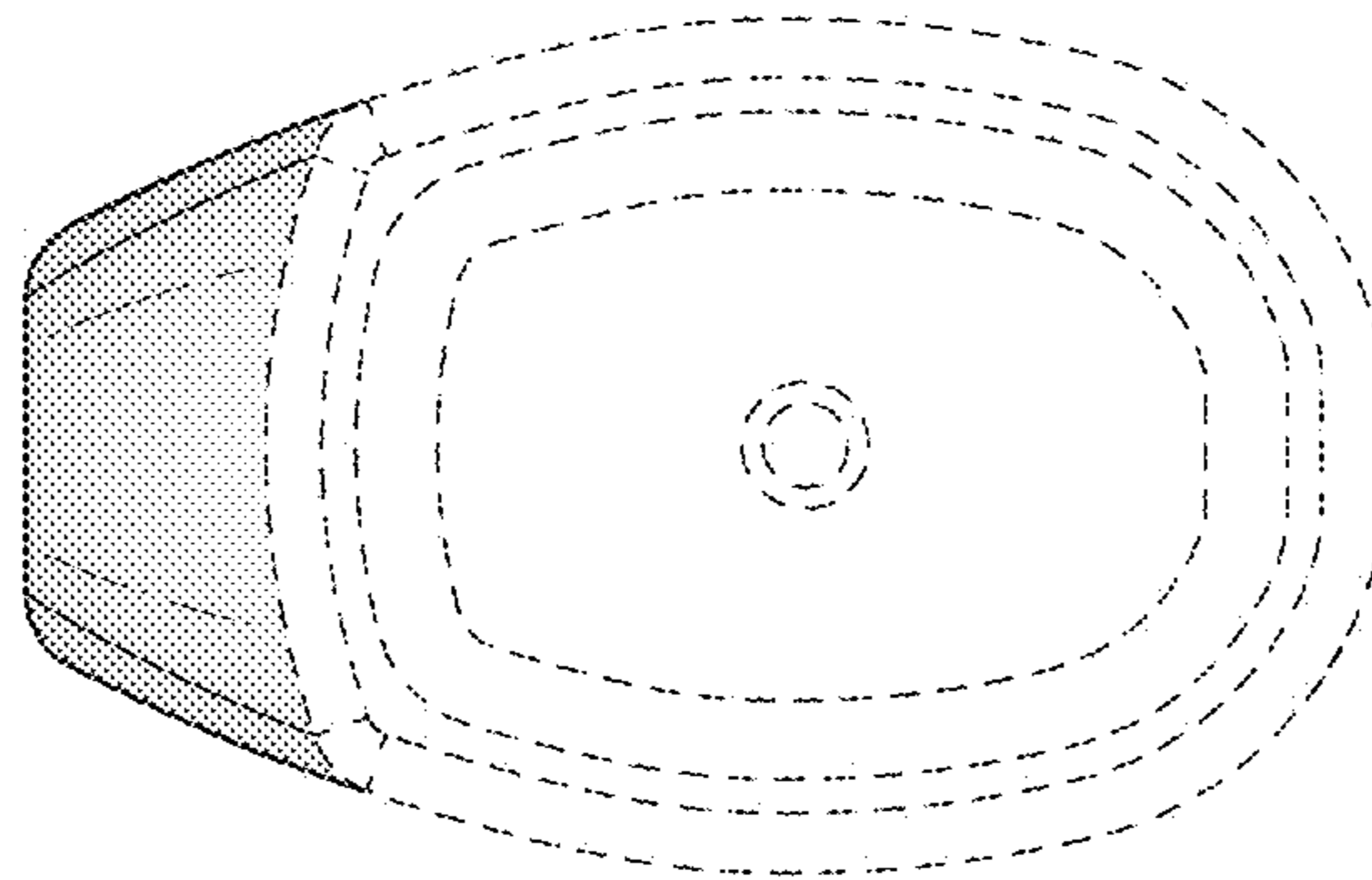


FIG. 48

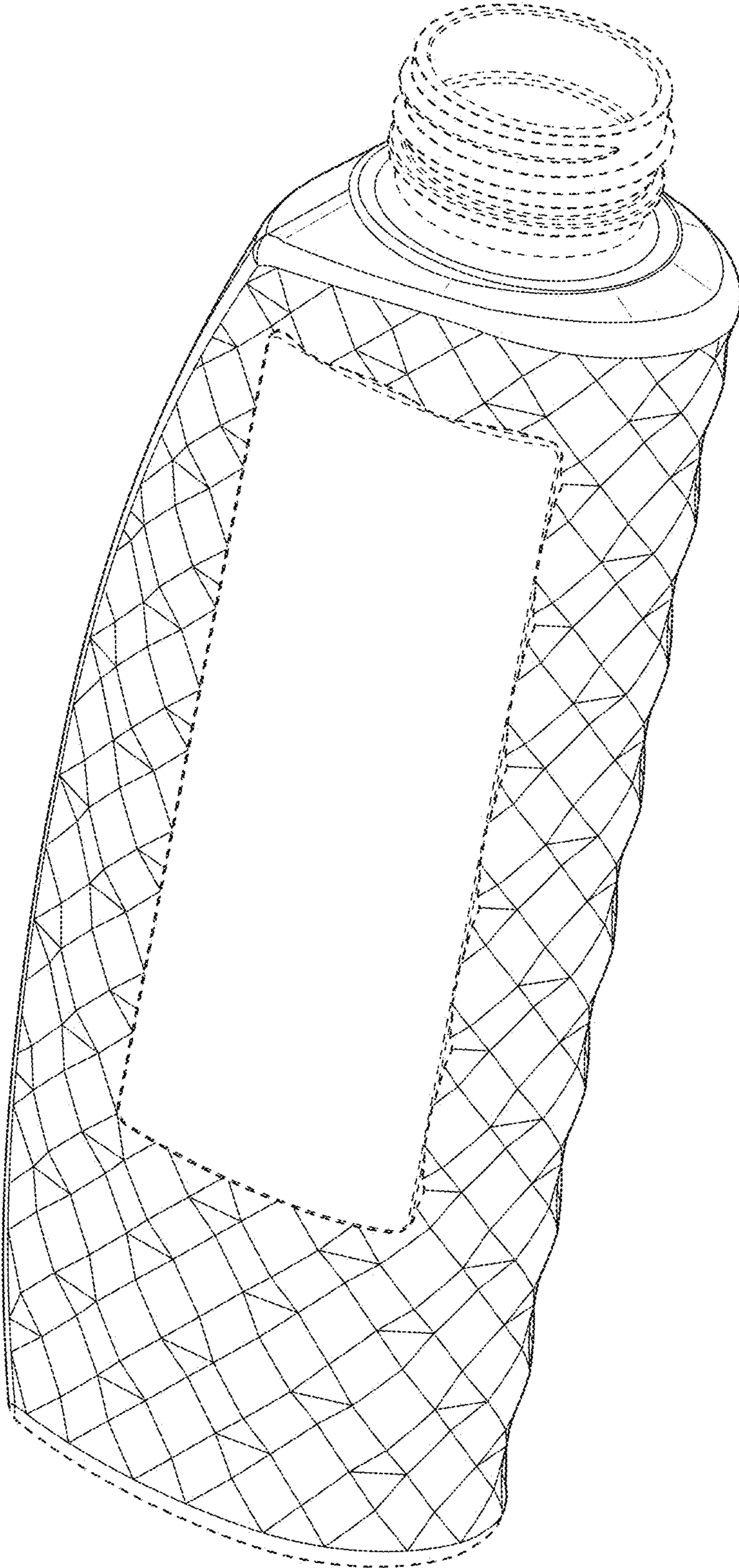


FIG. 49



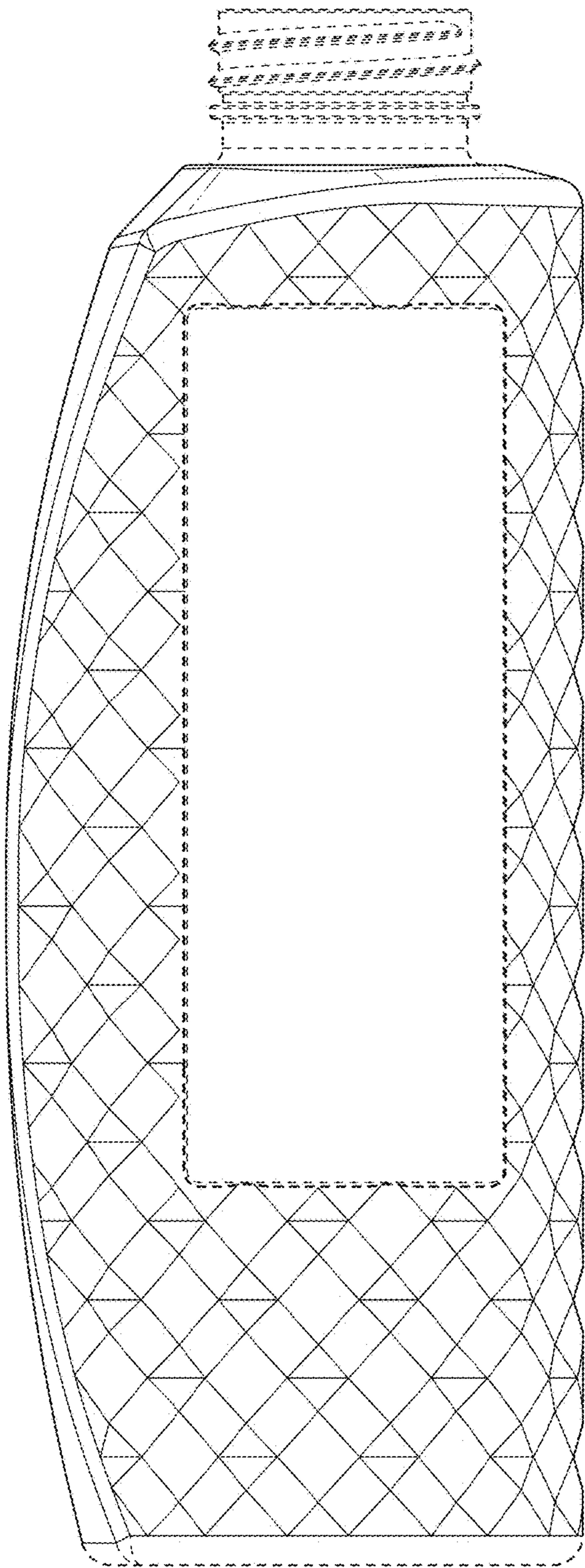


FIG. 50

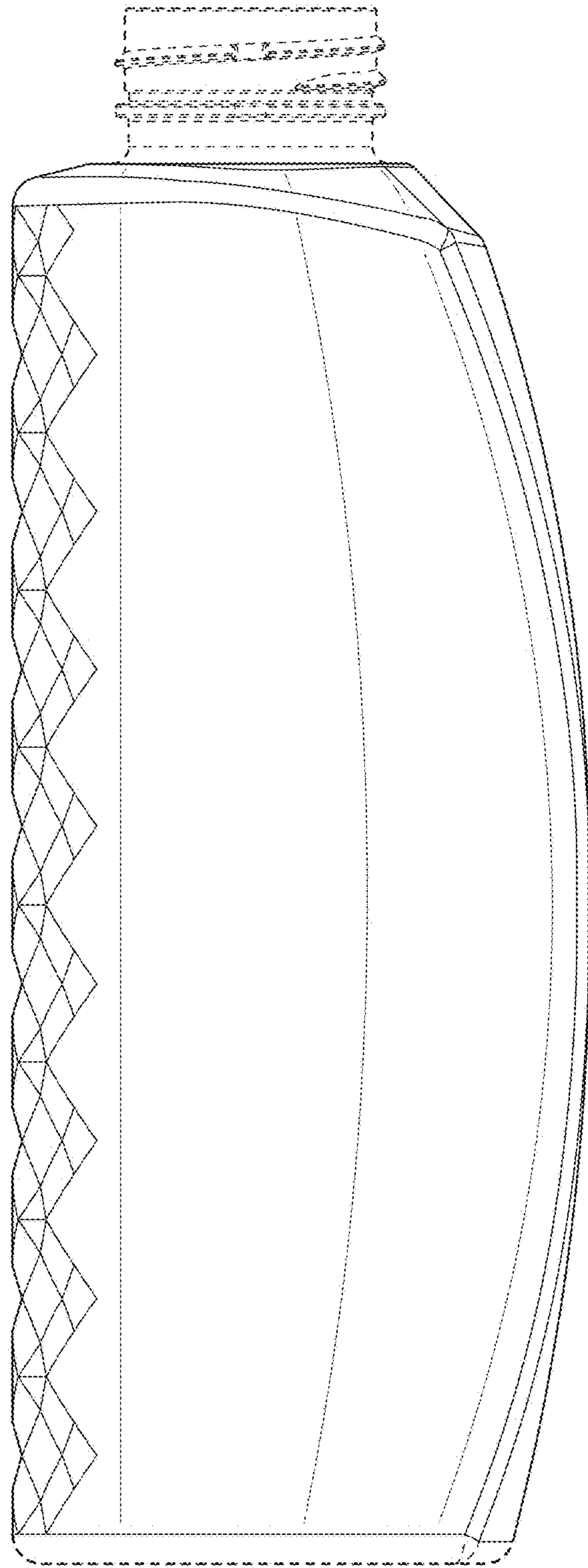


FIG. 51

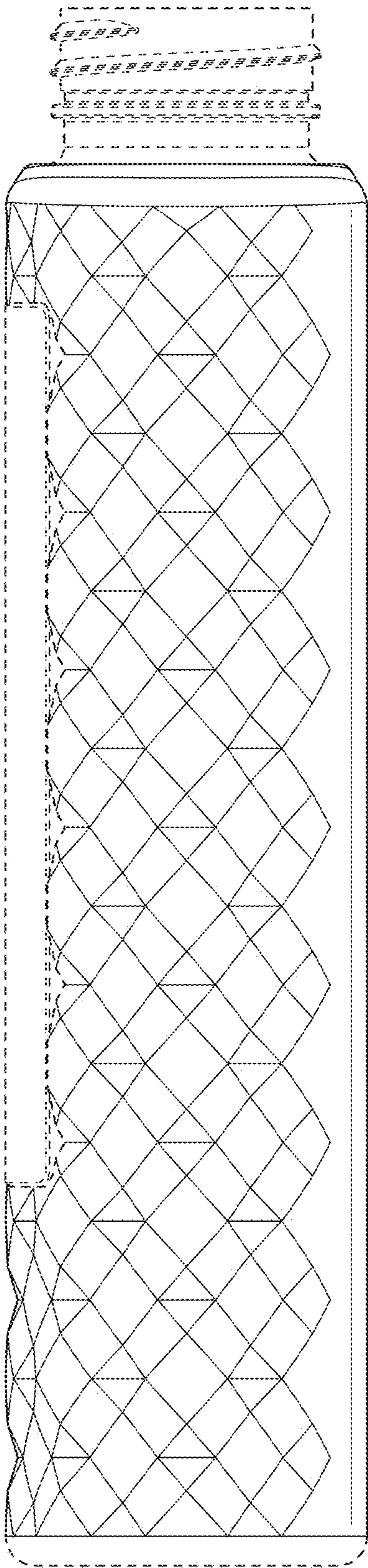


FIG. 52

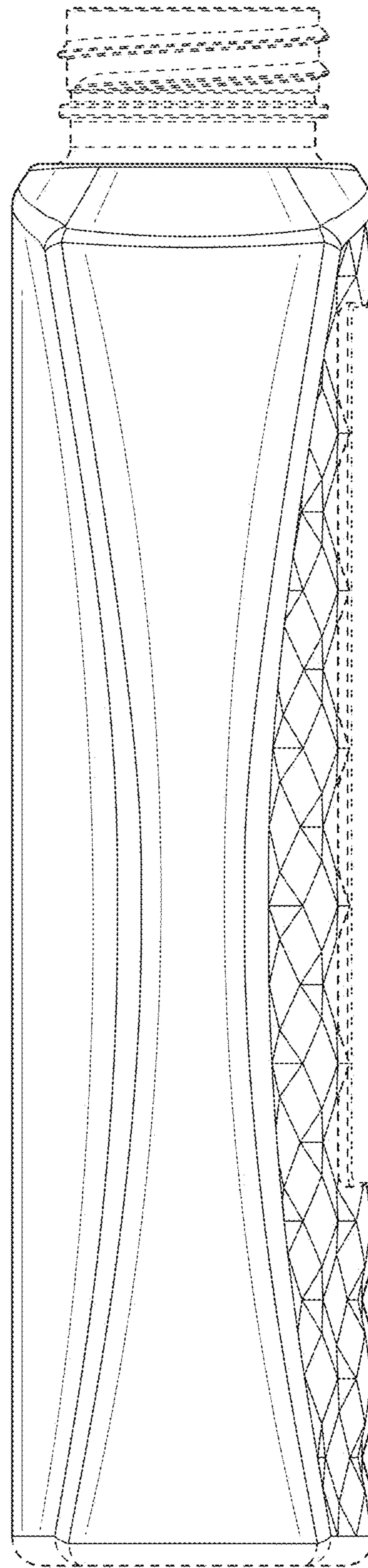


FIG. 53



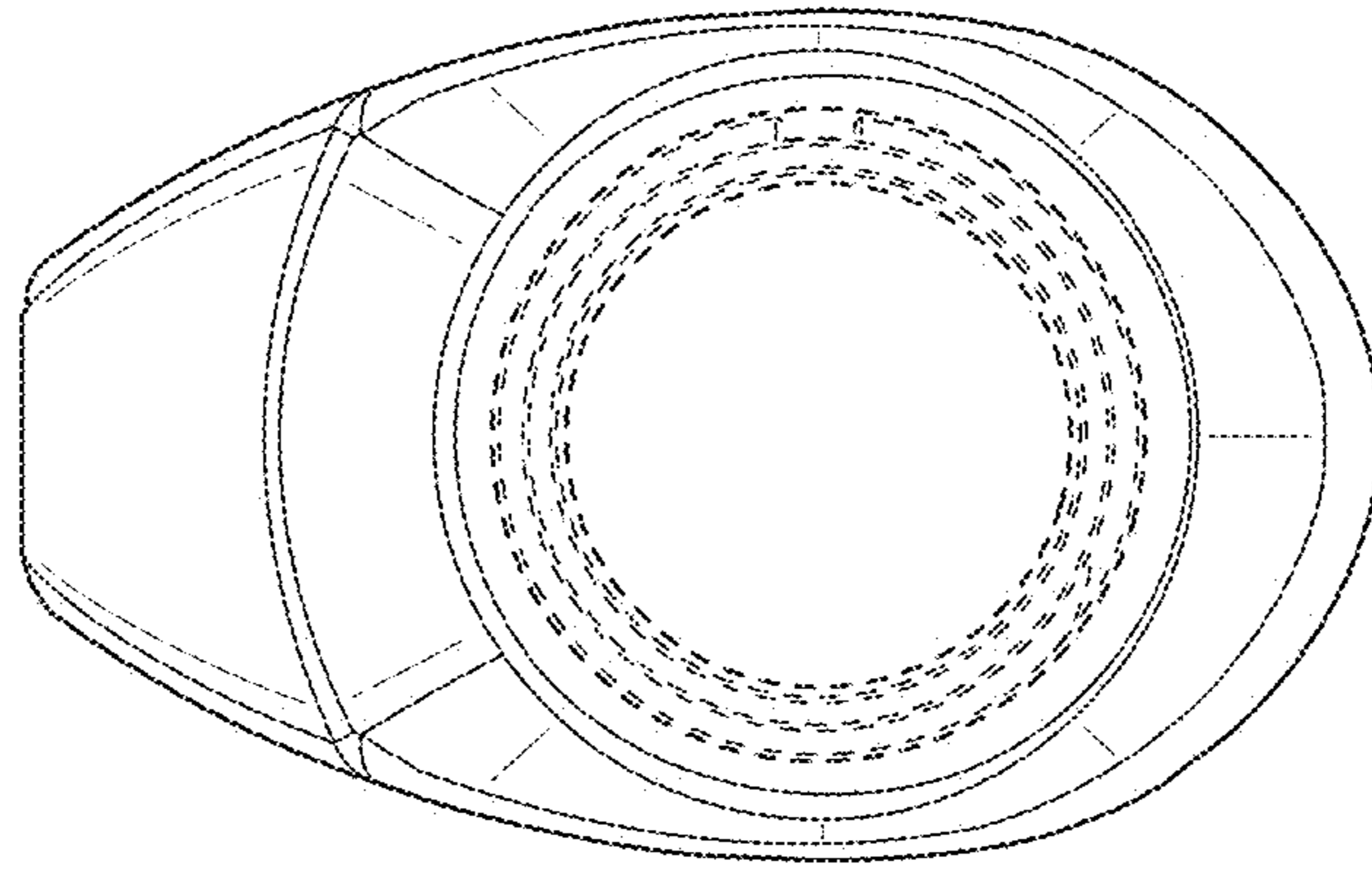


FIG. 54

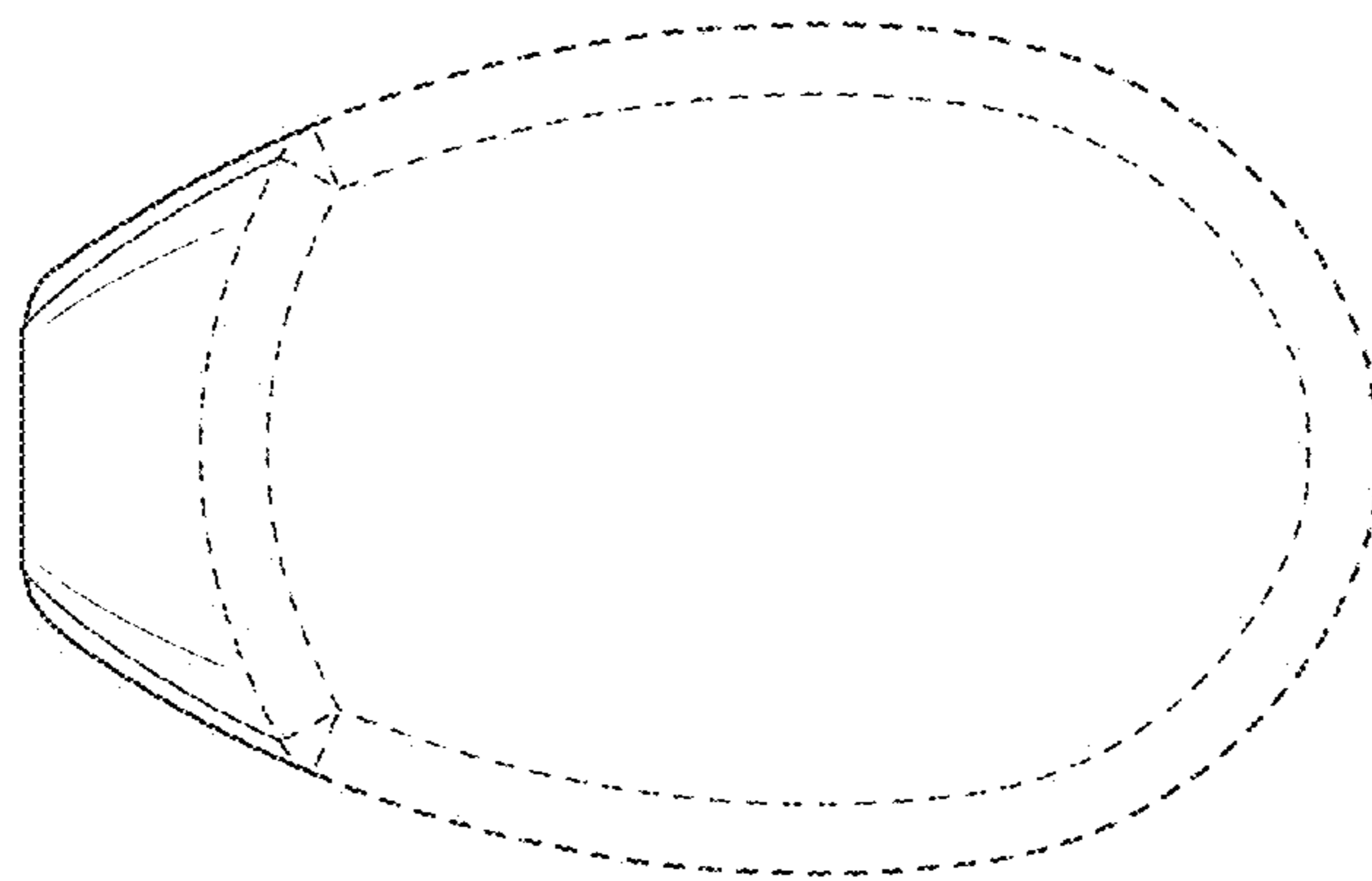


FIG. 55

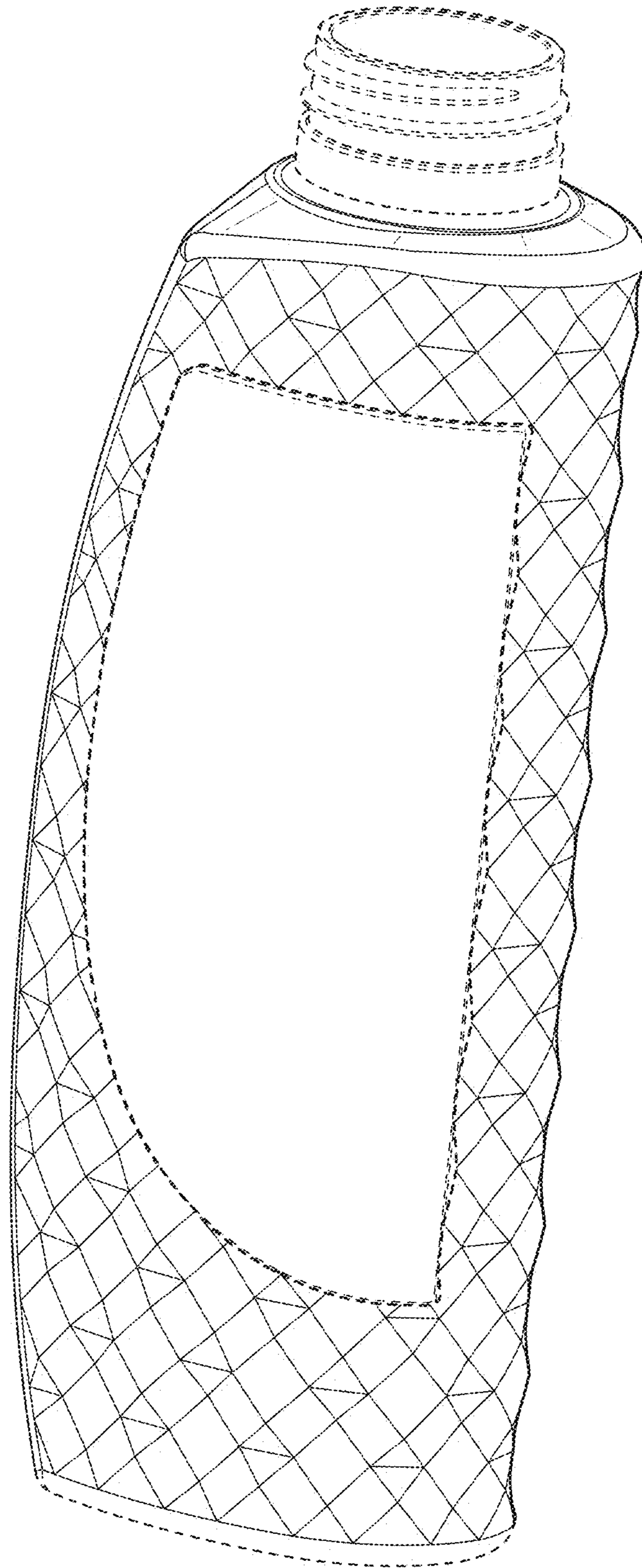


FIG. 56



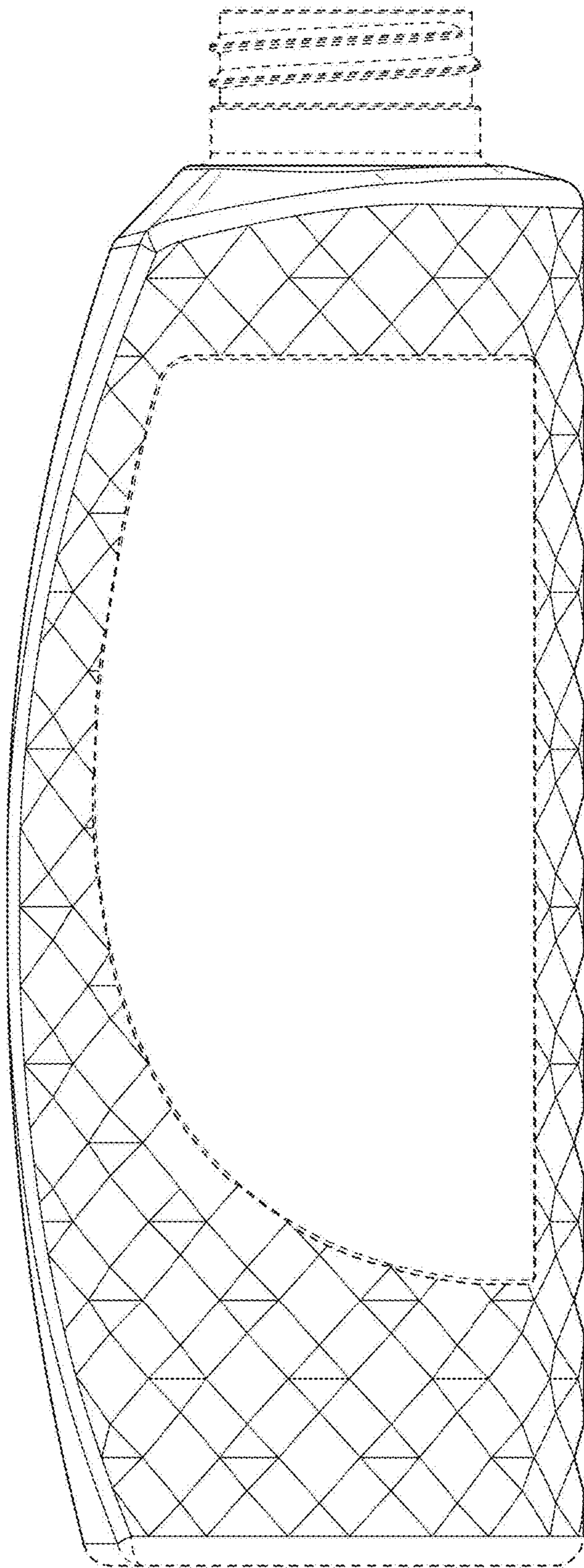


FIG. 57

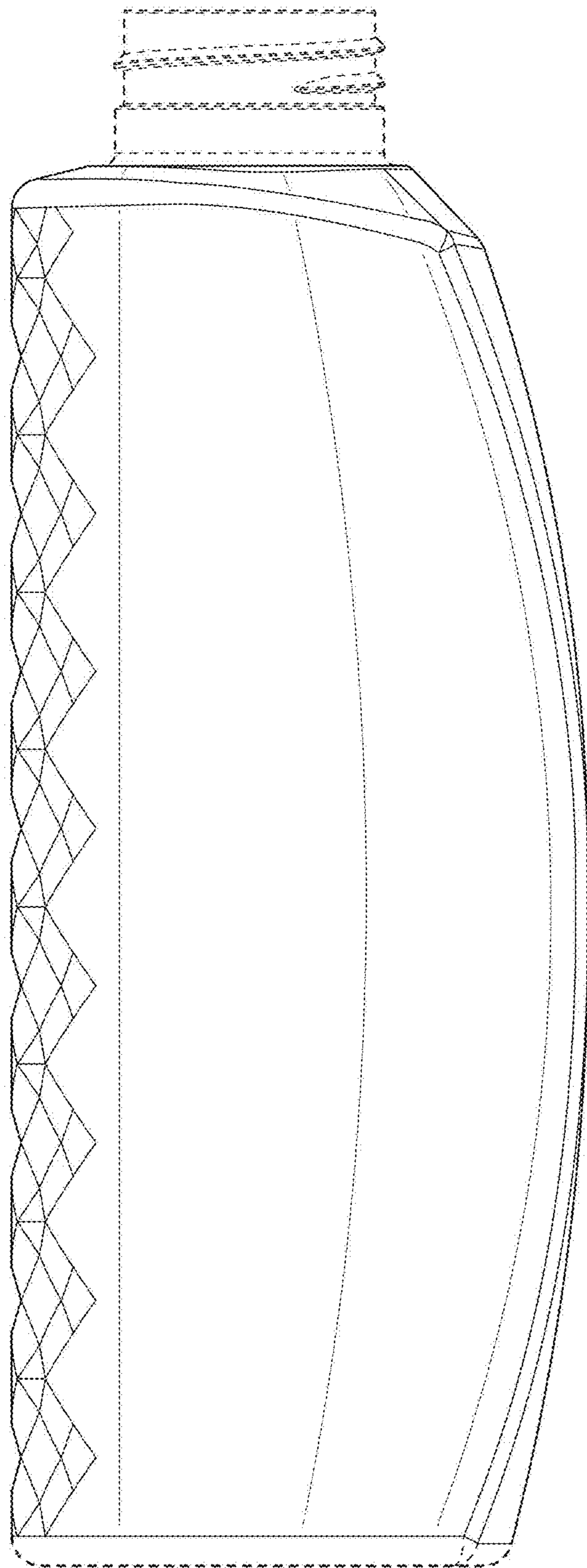


FIG. 58

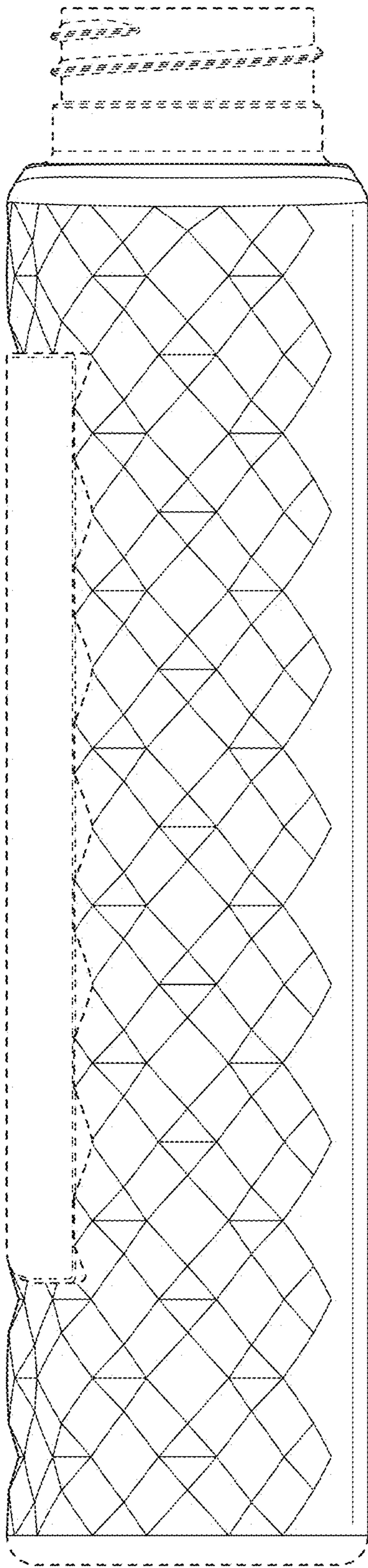


FIG. 59

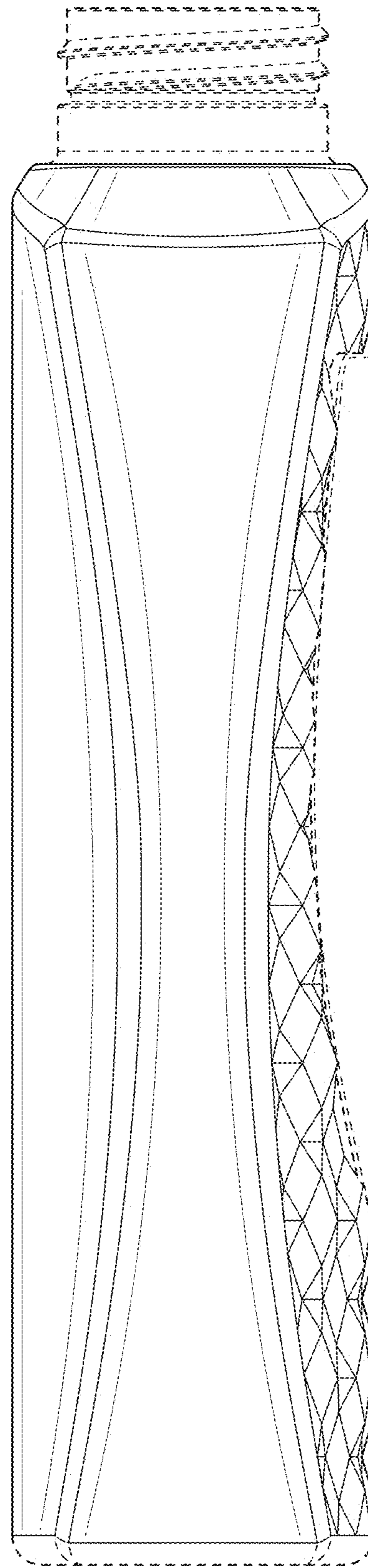


FIG. 60



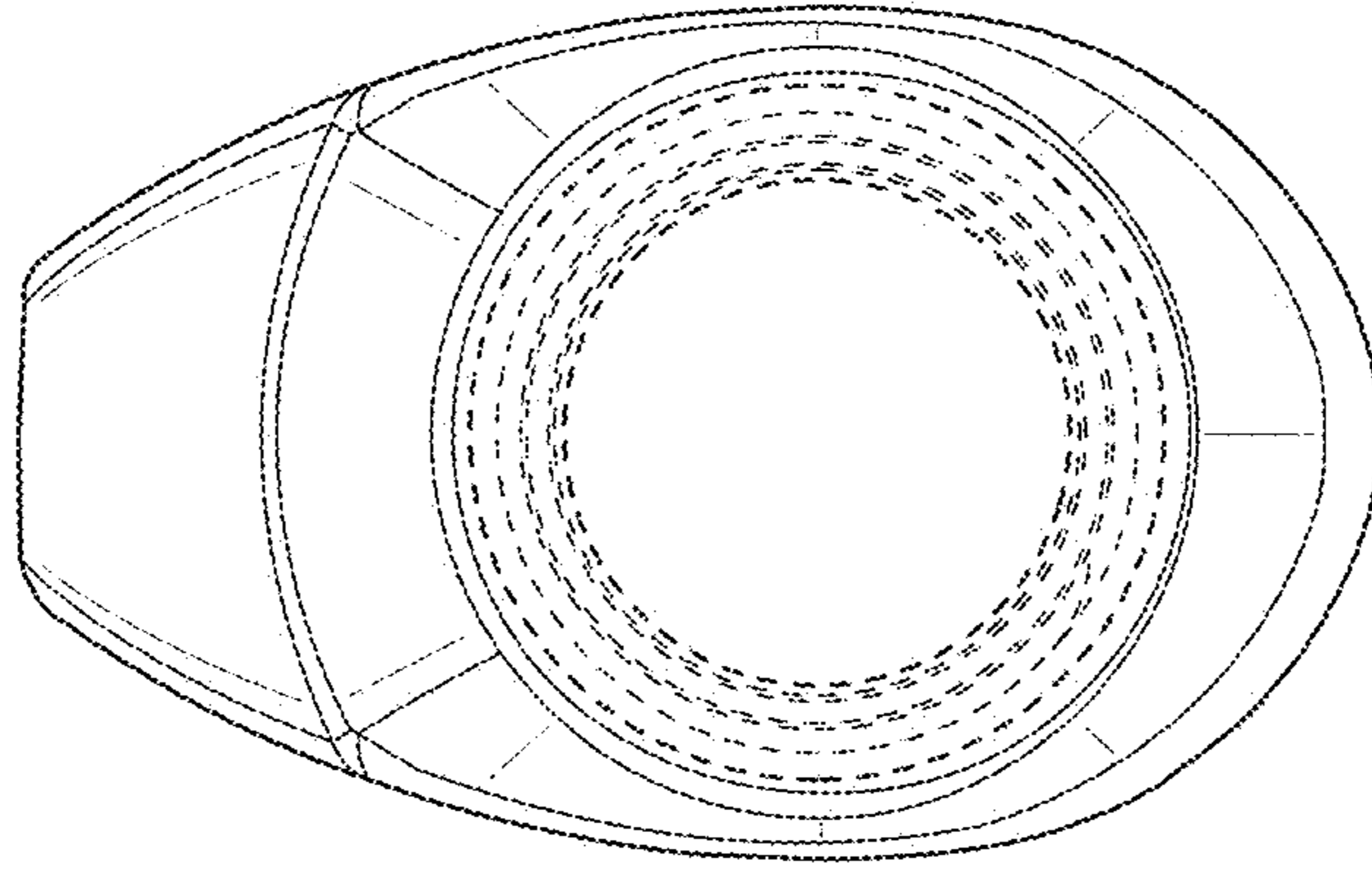


FIG. 61

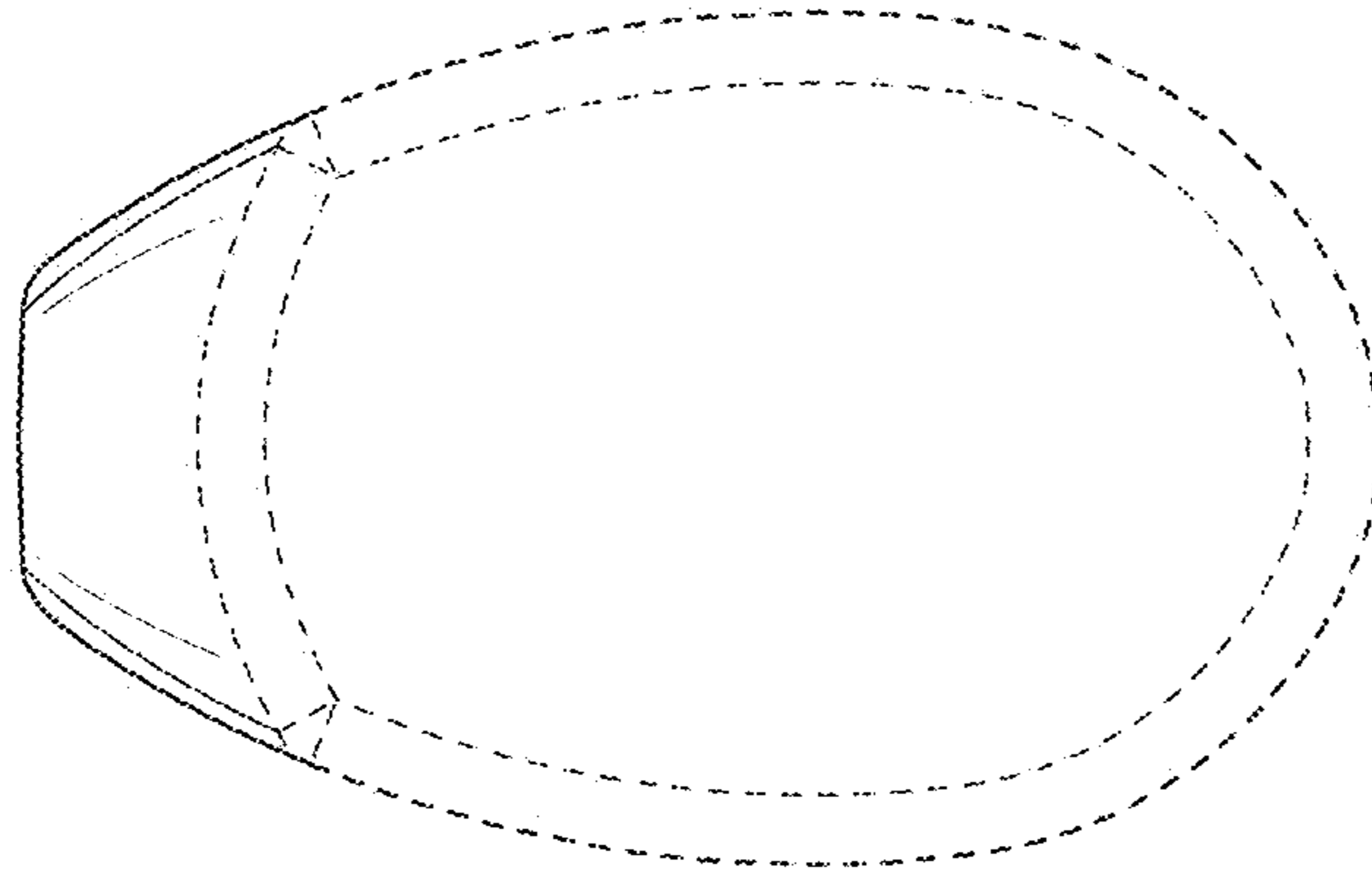


FIG. 62