



US00D975544S

(12) **United States Design Patent** (10) **Patent No.:** **US D975,544 S**
Kim (45) **Date of Patent:** **** Jan. 17, 2023**

(54) **PUMP HEAD FOR PACKAGING CONTAINER**
(71) Applicant: **YONWOO CO., LTD.**, Incheon (KR)
(72) Inventor: **Soo Hwan Kim**, Incheon (KR)
(73) Assignee: **YONWOO CO., LTD.**, Incheon (KR)
(**) Term: **15 Years**
(21) Appl. No.: **29/729,292**
(22) Filed: **Mar. 25, 2020**
(30) **Foreign Application Priority Data**

Oct. 10, 2019 (KR) 30-2019-0048267
(51) **LOC (14) Cl.** **09-07**
(52) **U.S. Cl.**
USPC **D9/448**
(58) **Field of Classification Search**
USPC D3/17, 29; D7/368, 387, 389, 391,
D7/392.1, 396.1, 396.2, 396.4, 397, 400,
D7/514, 516, 519, 539, 544, 571, 573,
D7/578; D9/414, 416, 417, 434, 435,
D9/436, 439, 440, 441, 443, 445, 447,
D9/448, 451, 452, 453, 454, 601, 682,
D9/685, 686, 688, 690, 695, 707, 708,
D9/709, 723, 724, 727; D23/206, 208,
D23/209, 213, 223, 226, 259, 260, 261;
D24/112, 121, 127, 162, 194, 196;
D28/4, 76, 79, 80, 81, 82, 84, 85, 87,
D28/91.1; D6/542
CPC B65D 85/8064; B65D 85/8043; B65D
77/20; B65D 25/48; B65D 2543/00046;
B65D 2543/00092; B65D 2585/56; B65D
2585/545; A47J 31/407; A47J 31/04;
A47J 31/10; A47J 31/24; A23F 5/24;
B05B 11/0032; B05B 11/0027; B05B
11/3004; B05B 11/3015; B05B 11/306;
B05B

(Continued)

(56) **References Cited**
U.S. PATENT DOCUMENTS
D398,529 S * 9/1998 Mascitelli D9/448
D418,585 S * 1/2000 Lord D23/255
(Continued)

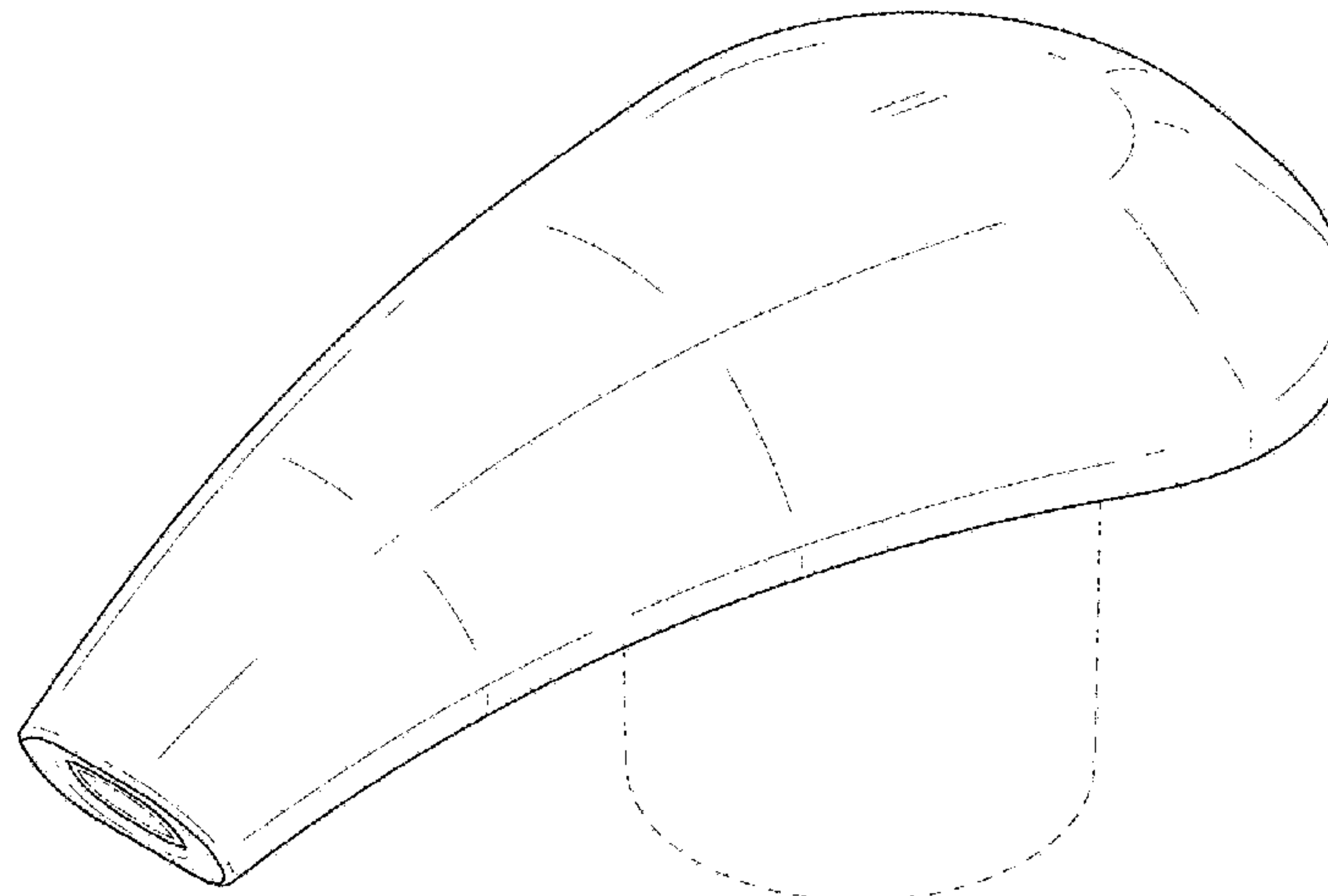
OTHER PUBLICATIONS
Dispensing Pump: Site Visited [Mar. 24, 2022]. Available from Internet URL: https://www.thecarycompany.com/white-dispensing-pump-24mm-24-410-7-5-dip-tube?utm_source=google_shopping&gclid=CjwKCAjwrfCRBhAXEiwAnkmKmeomRw80NF-DWwTJoJyuF_m0146YsqKZqdE-qrojW3-wUinw4YyU-LCBoCEtEQAvD_BwE.*
(Continued)

Primary Examiner — Catherine S Posthauer
(74) *Attorney, Agent, or Firm* — Bridgeway IP Law Group, PLLC; Sang Ho Lee; Hyun Woo Shin

(57) **CLAIM**
I claim the ornamental design for a pump head for packaging container, as shown and described.

DESCRIPTION
FIG. 1 is a perspective view of a pump head for packaging container, showing my new design;
FIG. 2 is a front elevational view thereof;
FIG. 3 is a rear elevational view thereof;
FIG. 4 is a left side elevational view thereof;
FIG. 5 is a right side elevational view thereof;
FIG. 6 is a top plan view thereof;
FIG. 7 is a bottom plan view thereof; and,
FIG. 8 is a perspective view showing the pump head for packaging container in a position of use with an exemplary container.
The dash-dash broken lines are shown for the purpose of illustrating both parts of the article as well as environmental subject matter of an exemplary container. The dot-dash broken lines represent the boundaries of the claim and form no part thereof. None of the broken lines form a part of the claimed design.

1 Claim, 6 Drawing Sheets



(58) **Field of Classification Search**

CPC 11/3064; B05B 11/3059; B65B 29/06;
 A45D 33/24; A45D 33/26; A45D 33/28;
 A45D 40/00; A45D 40/20; A45D 40/24;
 A45D 40/02; A45D 40/06; A45D 40/18;
 A45D 40/262; A45D 34/00; A45D 34/04;
 A45D 34/06; A45D 34/041

See application file for complete search history.

(56) **References Cited**

U.S. PATENT DOCUMENTS

D424,441	S	*	5/2000	Santagiuliana	D9/683
D424,938	S	*	5/2000	Wise	D9/448
D434,984	S	*	12/2000	Wadsworth	D9/448
D436,863	S	*	1/2001	Wadsworth	D9/448
D438,113	S	*	2/2001	Wadsworth	D9/448
D438,468	S	*	3/2001	Wadsworth	D9/448
D438,798	S	*	3/2001	Wadsworth	D9/448
D471,105	S	*	3/2003	Gonzalez Fernandez	D9/448
D527,258	S	*	8/2006	Crawford	D9/448
D528,911	S	*	9/2006	Turner	D9/448
D559,682	S	*	1/2008	Meeker	D9/448
D571,657	S	*	6/2008	Kuo	D9/448
D586,212	S	*	2/2009	Allen	D9/448
D588,006	S	*	3/2009	Boes	D9/448
D595,132	S	*	6/2009	Tseng	D9/448
D598,750	S	*	8/2009	Boes	D9/448
D600,553	S	*	9/2009	Dubitsky	D9/448
D600,554	S	*	9/2009	Toh	D9/448
D601,422	S	*	10/2009	Benavidez	D9/448
D604,610	S	*	11/2009	Ames	D9/434
D636,261	S	*	4/2011	Michitsuji	D9/448
D636,262	S	*	4/2011	Michitsuji	D9/448
D649,457	S	*	11/2011	Rowen	D9/448
D658,496	S	*	5/2012	Mills	D9/448
D663,200	S	*	7/2012	Dombrowski	D9/448
D675,103	S	*	1/2013	Broen	D9/689

D678,064	S	*	3/2013	Arminak	D9/448
D709,762	S	*	7/2014	Kuo	D9/448
D714,642	S	*	10/2014	Wang	D9/448
D723,916	S	*	3/2015	Hughes	D9/445
D731,888	S	*	6/2015	O'Donahue	D9/448
D743,791	S	*	11/2015	Andersson	D9/448
D764,015	S	*	8/2016	Bruining	D23/208
D767,392	S	*	9/2016	Landrum	D9/448
D769,714	S	*	10/2016	Kozu	D9/434
D778,666	S	*	2/2017	De Leo	D7/392.1
D792,218	S	*	7/2017	Chan	D9/448
D794,452	S	*	8/2017	Chan	D9/448
D796,323	S	*	9/2017	Harris	D9/448
D799,959	S	*	10/2017	Nesbitt	D9/448
D801,171	S	*	10/2017	Eziquiel-Shriro	D9/448
D813,034	S	*	3/2018	Teller	D9/448
D833,276	S	*	11/2018	Bloc	D9/448
D840,828	S	*	2/2019	Demarest	D9/691
10,335,816	B1	*	7/2019	Arminak	F16K 15/044
D905,554	S	*	12/2020	Zavarella	D9/448
2019/0054486	A1	*	2/2019	Deman	B05B 11/305
2020/0331015	A1	*	10/2020	Lee	B05B 11/3087
2021/0291212	A1	*	9/2021	Liang	B05B 11/3047
2021/0323013	A1	*	10/2021	Carta	B05B 11/3074
2022/0062931	A1	*	3/2022	Ding	B05B 11/3074

OTHER PUBLICATIONS

Pump Head: Site Visited Mar. 24, 2022]. Available from Internet URL: <https://www.rs-sprayer.com/showroom/2-5cc-unique-design-shampoo-liquid-plastic-pump-head-spring-outside-lotion-pump-28-400-outside-spring-pressure-lotion-pump.html>.*

Pump Bottle Dispenser: Announced [Jul. 7, 2021, online]. Site visited [Mar. 24, 2022]. Available from Internet URL: https://www.amazon.com/Dispenser-Refillable-Bathroom-Containers-Conditioner/dp/B098SXZPYF/ref=sr_1_85?crd=1TRU1X4UQN0R6&keywords=Pump+Dispenser+Head&qid=1648132040&sprefix=pump+dispenser+head%2Caps%2C93&sr=8-85.*

* cited by examiner

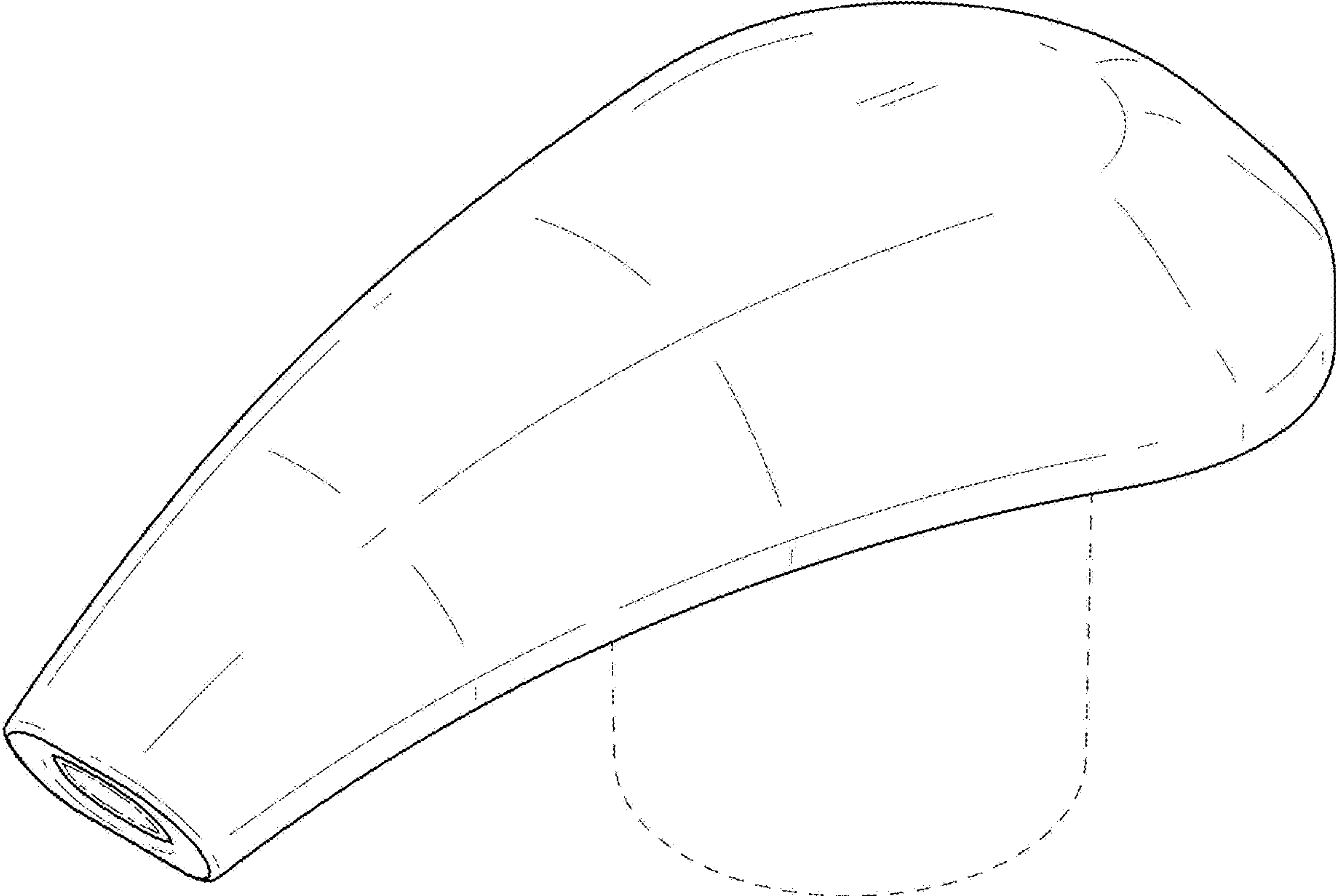


FIG. 1

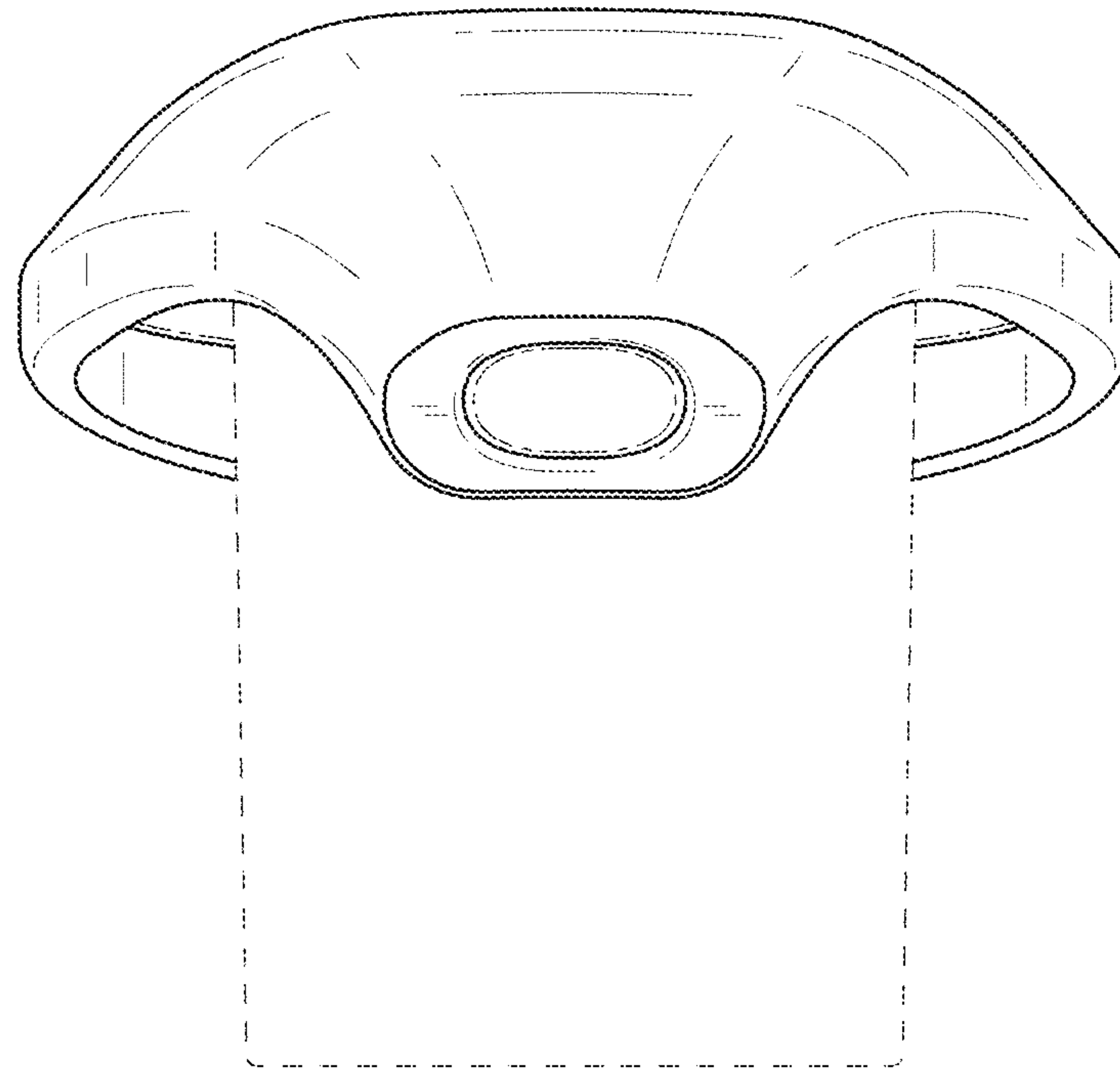


FIG. 2

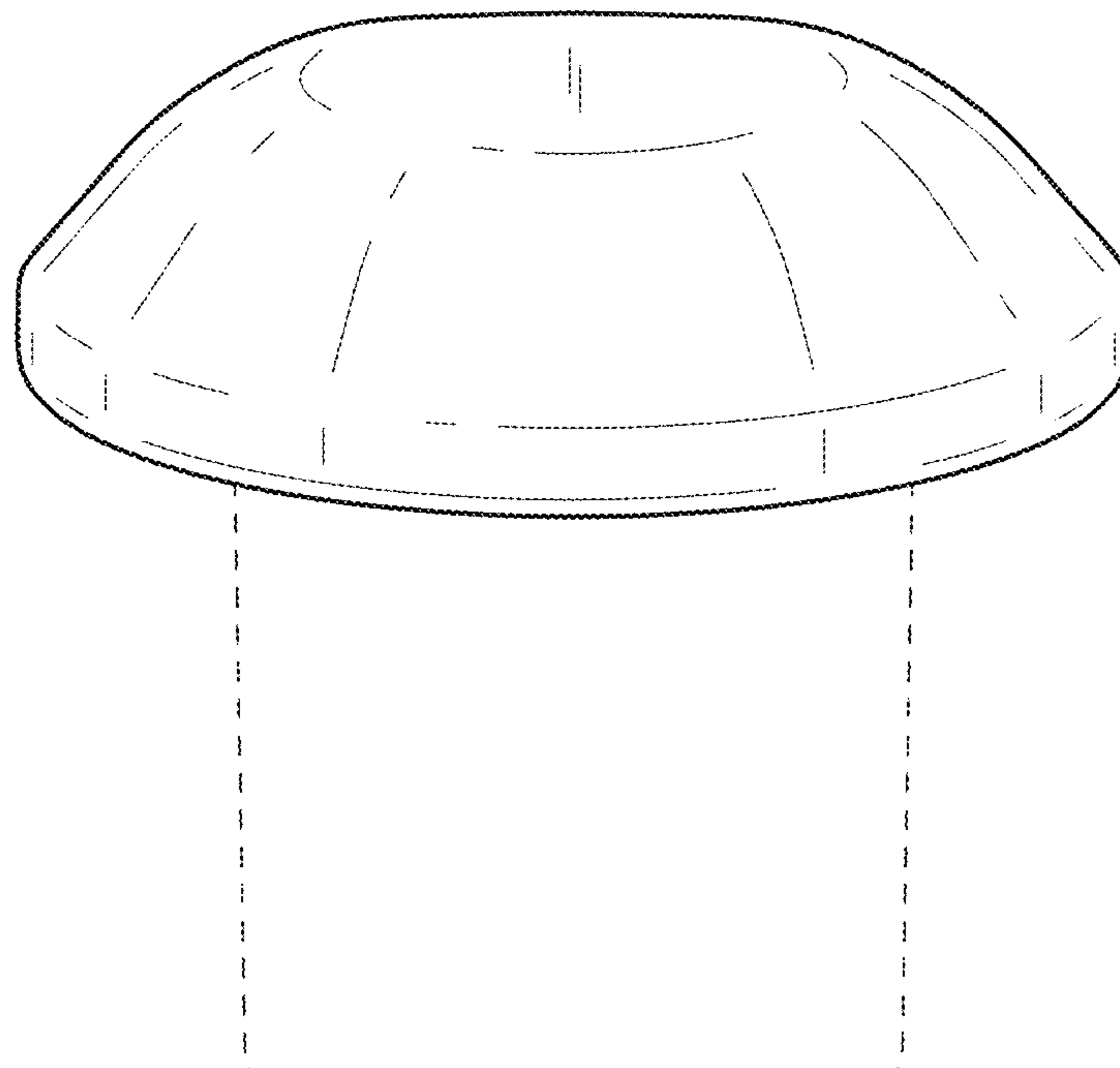


FIG. 3

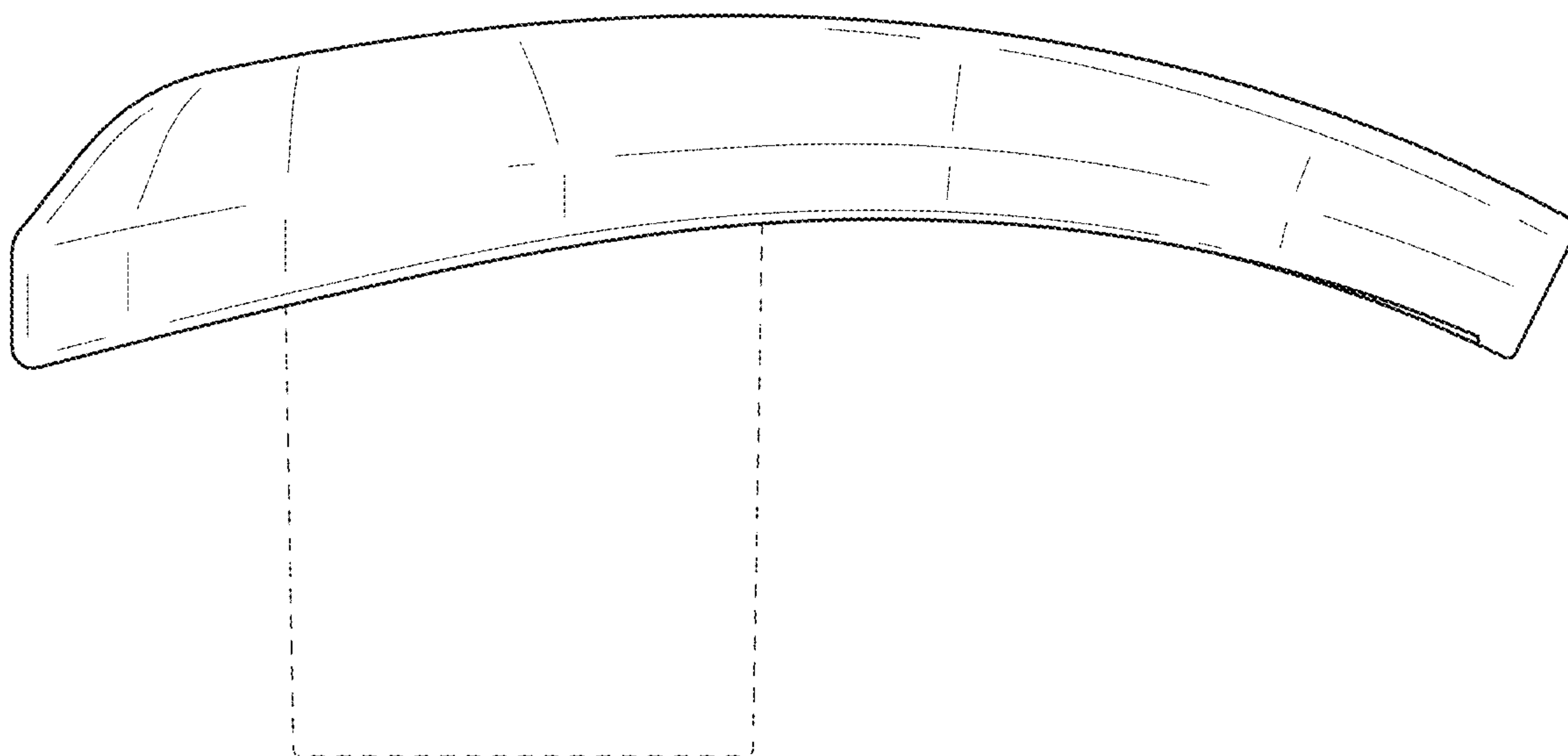


FIG. 4

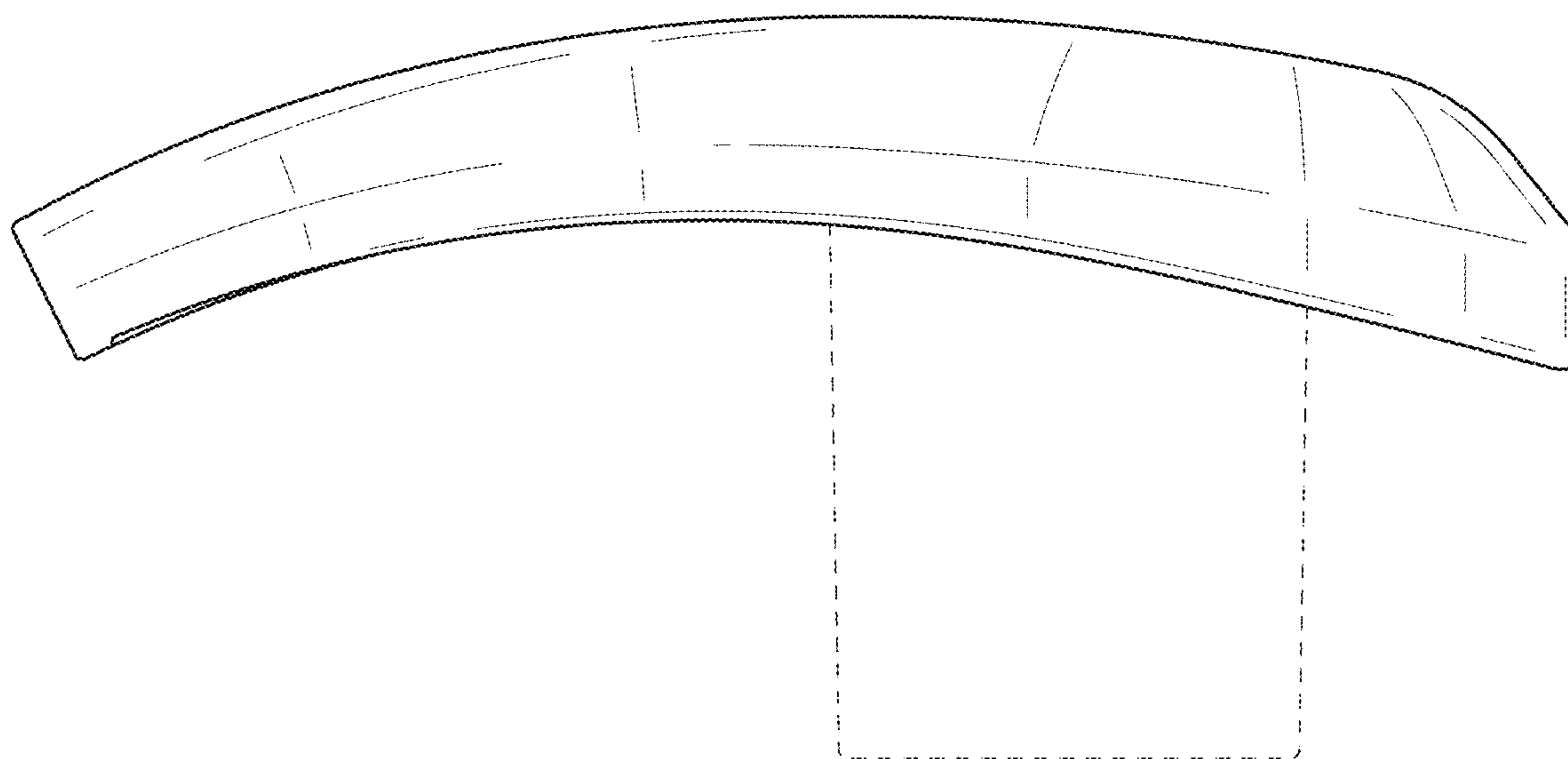


FIG. 5

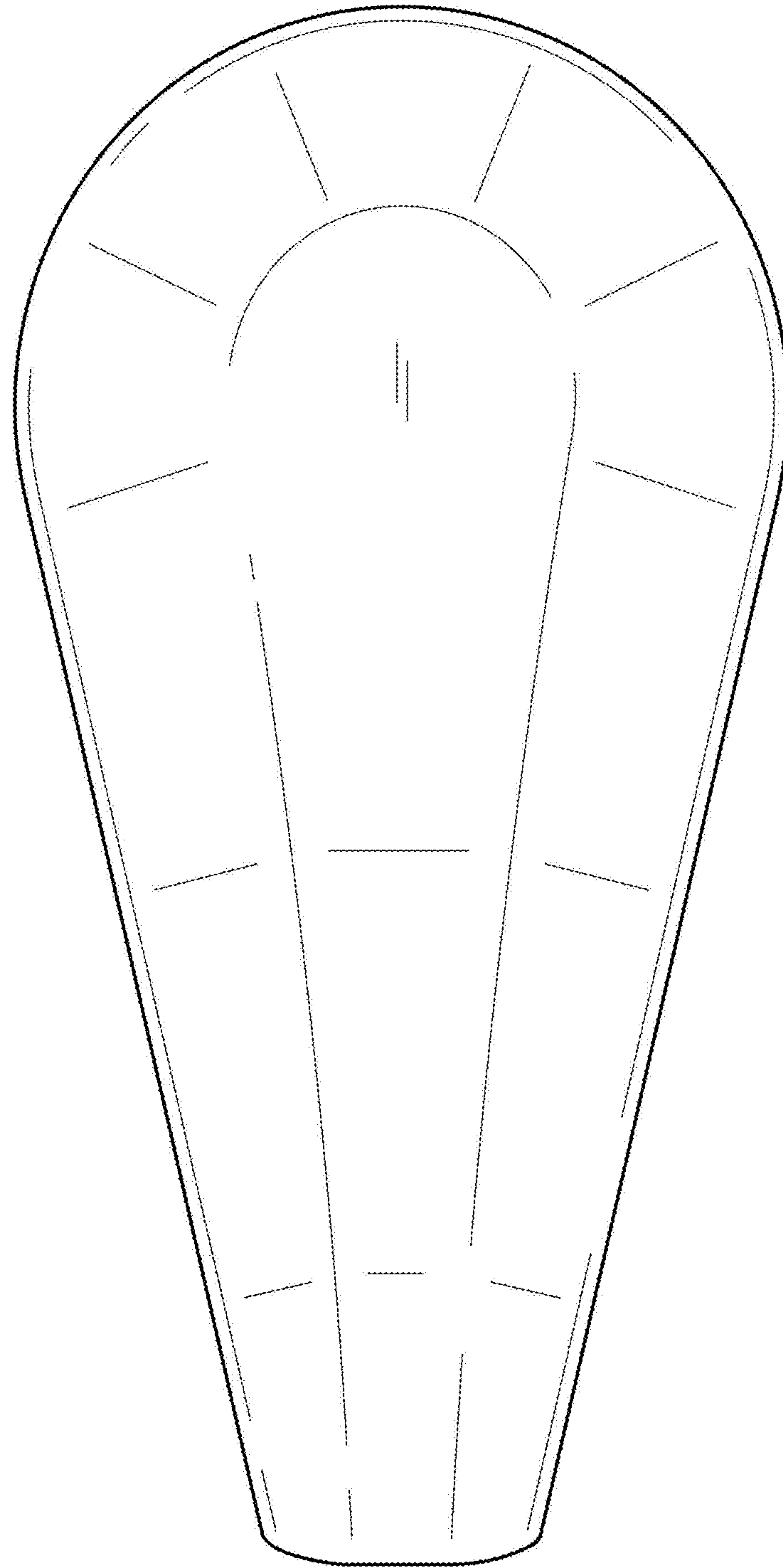


FIG. 6

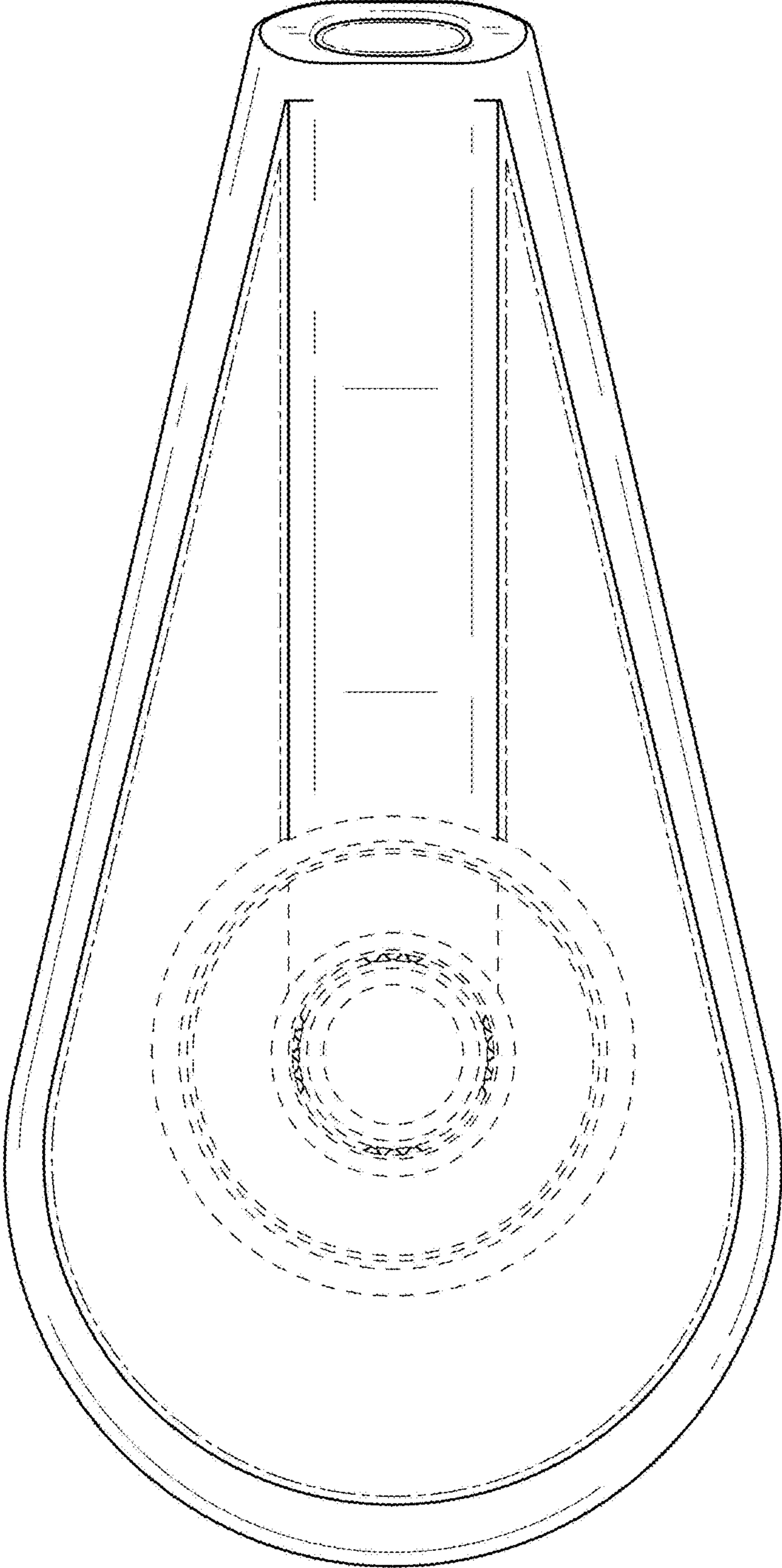


FIG. 7

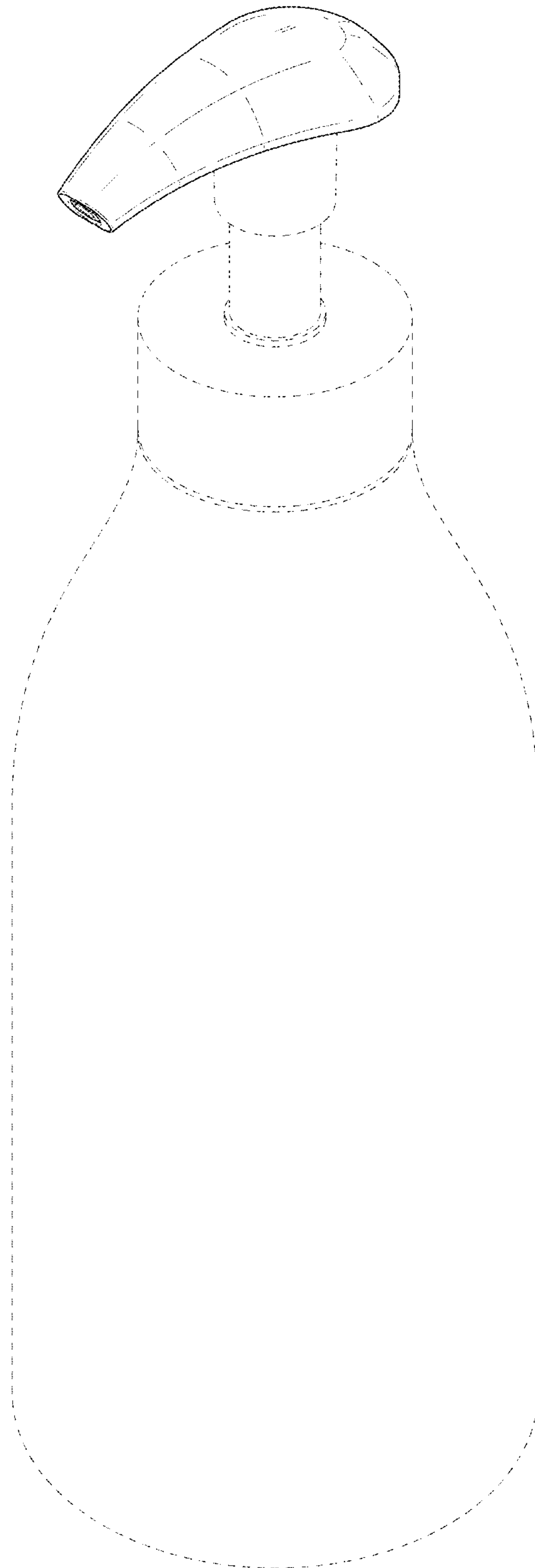


FIG. 8