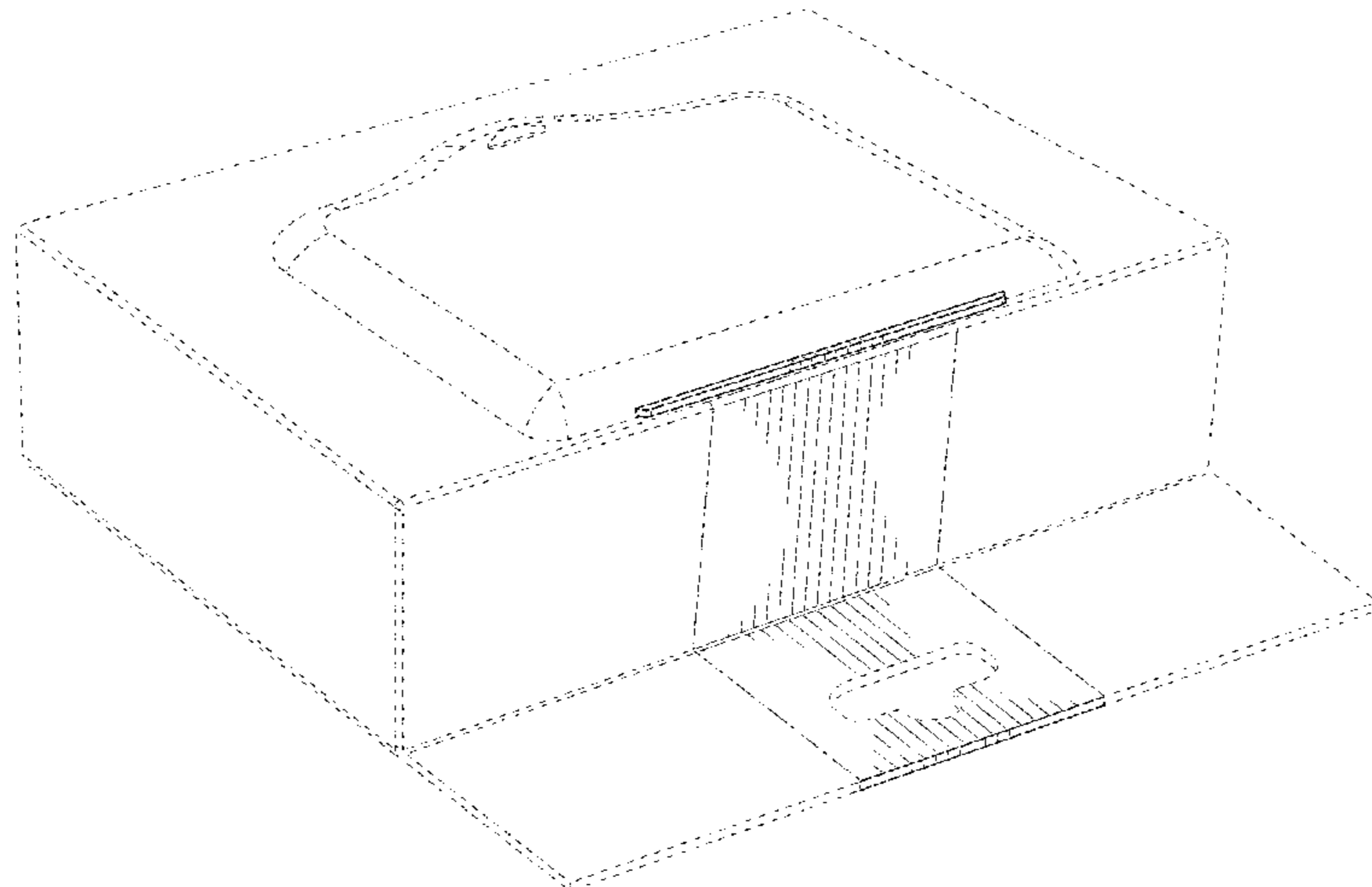




US00D975541S

(12) **United States Design Patent** (10) **Patent No.:** **US D975,541 S**
Davis et al. (45) **Date of Patent:** **** Jan. 17, 2023**

- (54) **WIPE DISPENSER** 5,542,634 A * 8/1996 Pomerantz B65D 73/0028
248/205.3
- (71) Applicant: **BANYAN LICENSING L.L.C.**, D378,446 S * 3/1997 Lutzker D7/300.2
Charlotte, NC (US) D406,754 S * 3/1999 Tanabe D9/415
D447,945 S * 9/2001 Tsuruishi D9/434
- (72) Inventors: **Edmund Scott Davis**, Clover, SC (US); 6,431,360 B1 * 8/2002 Julius A47K 10/18
Scott Allen Sattizahn, Charlotte, NC 206/494
(US) D465,685 S * 11/2002 Dellerman D9/435
D467,105 S * 12/2002 Le D9/435
D469,287 S * 1/2003 Mathews D9/435
D479,419 S * 9/2003 White D9/734
D540,187 S * 4/2007 Duffy D9/734
D567,439 S * 4/2008 Srivastava D28/10
- (73) Assignee: **BANYAN LICENSING L.L.C.**, 7,416,083 B2 * 8/2008 Bando A47K 10/421
Charlotte, NC (US) 206/210
- (**) Term: **15 Years**
- (21) Appl. No.: **29/653,911** D592,075 S * 5/2009 Holcomb D9/721
D624,815 S * 10/2010 Hansen D9/420
D636,274 S * 4/2011 Hutchison D9/734
D645,739 S * 9/2011 Ross D9/432
D651,077 S * 12/2011 Frias D9/434
D651,083 S * 12/2011 Frias D9/435
D651,085 S * 12/2011 Frias D9/734
D656,021 S * 3/2012 Dunn D9/435
D663,632 S * 7/2012 Peters D9/734
D663,980 S * 7/2012 Bendana D6/518
D665,259 S * 8/2012 Dunn D9/435
D666,488 S * 9/2012 Frias D9/435
D667,733 S * 9/2012 Beihoffer D9/734
D678,053 S * 3/2013 Marcinkowski D9/414
D686,071 S * 7/2013 Marcinkowski D9/415
D698,151 S * 1/2014 Arehart D3/302
D715,643 S * 10/2014 Sanfilippo D9/434
D718,126 S * 11/2014 Kwon D9/434
D725,467 S * 3/2015 Sanfilippo D9/434
D730,196 S * 5/2015 Berger D9/734
D764,914 S * 8/2016 Sanfilippo D9/435
D766,082 S * 9/2016 Sanfilippo D9/434
D772,053 S * 11/2016 Mayer D9/432
D777,026 S * 1/2017 Sanfilippo D9/416
D779,269 S * 2/2017 Crosby D9/434
D824,255 S * 7/2018 Bruno D9/435
D834,936 S * 12/2018 Sanfilippo D9/432
D871,903 S * 1/2020 Riffe D9/434
D881,012 S * 4/2020 Salow D9/415
D899,922 S * 10/2020 Sanfilippo D9/432
- (22) Filed: **Jun. 19, 2018**
- (51) **LOC (14) Cl.** **09-07**
- (52) **U.S. Cl.** **D9/434**
USPC **D9/434**
- (58) **Field of Classification Search**
USPC D9/414, 434, 435, 439, 440, 441,
D9/443-445, 447-455, 456, 499, 501,
D9/503-505, 516, 517, 529, 682, 685,
D9/686, 415, 432, 457, 730, 734;
D7/387, 391, 392, 392.1, 396.1, 396.2,
D7/396.4, 403, 507, 509-511, 538, 629,
D7/900; D3/202, 203.2, 294, 318;
D28/91, 91.1
CPC .. A61J 1/00; A61J 1/1412; B65D 1/00; B65D
1/02; B65D 1/10; B65D 1/46; B65D
5/46; B65D 41/00; B65D 41/38; B65D
41/56; B65D 41/62; B65D 47/00; B65D
47/06; B65D 47/08; B65D 2251/00;
B65D 2543/00046; B65D 2543/00092;
B65D 2543/00296
See application file for complete search history.
- (56) **References Cited**
U.S. PATENT DOCUMENTS
2,626,855 A * 1/1953 Hand A23B 4/00
D28/65
4,135,528 A * 1/1979 Stark A61C 15/02
132/329
2004/0089578 A1 * 5/2004 Lin B65D 75/5838
206/494
2005/0189367 A1 * 9/2005 Chasid B65D 75/5838
221/35



2005/0194395	A1*	9/2005	Julius	A47K 10/18 221/45
2008/0061073	A1*	3/2008	Laroche	A47K 10/421 221/46
2018/0098674	A1*	4/2018	Bois	B65D 75/56

OTHER PUBLICATIONS

Contour “CPAP Mask Wipes” sales sheet (online) document dated Feb. 5, 2021. Retrieved from Internet on Jun. 8, 2021, URL: https://f.hubspotusercontent00.net/hubfs/4424504/14-965R_CPAPMaskWipes_Sales-Sheet_C0086-2021-02-05.pdf (2 pages).*

* cited by examiner

Primary Examiner — Wendy L Arminio
(74) *Attorney, Agent, or Firm* — Moore & Van Allen PLLC; Henry B. Ward, III

(57) **CLAIM**

The ornamental design for a wipe dispenser, as shown and described.

DESCRIPTION

FIG. 1 is a front, top, and right-side perspective view of a wipe dispenser according to a first embodiment of the present invention;
 FIG. 2 is a rear, top, and right-side perspective view of the wipe dispenser shown in FIG. 1;
 FIG. 3 is front elevational view of the wipe dispenser shown in FIG. 1;
 FIG. 4 is a rear elevational view of the wipe dispenser shown in FIG. 1;
 FIG. 5 is a right-side elevational view of the wipe dispenser shown in FIG. 1;
 FIG. 6 is a left-side elevational view of the wipe dispenser shown in FIG. 1;
 FIG. 7 is a top plan view of the wipe dispenser shown in FIG. 1;
 FIG. 8 is a bottom plan view of the wipe dispenser shown in FIG. 1;
 FIG. 9 is a front, top, and right-side perspective view of a wipe dispenser according to a second embodiment of the present invention;
 FIG. 10 is a rear, top, and right-side perspective view of the wipe dispenser shown in FIG. 9;
 FIG. 11 is front elevational view of the wipe dispenser shown in FIG. 9;
 FIG. 12 is a rear elevational view of the wipe dispenser shown in FIG. 9;
 FIG. 13 is a right-side elevational view of the wipe dispenser shown in FIG. 9;
 FIG. 14 is a left-side elevational view of the wipe dispenser shown in FIG. 9;
 FIG. 15 is a top plan view of the wipe dispenser shown in FIG. 9;
 FIG. 16 is a bottom plan view of the wipe dispenser shown in FIG. 9;
 FIG. 17 is a front, top, and right-side perspective view of a wipe dispenser according to a third embodiment of the present invention;
 FIG. 18 is a rear, top, and right-side perspective view of the wipe dispenser shown in FIG. 17;
 FIG. 19 is front elevational view of the wipe dispenser shown in FIG. 17;

FIG. 20 is a rear elevational view of the wipe dispenser shown in FIG. 17;
 FIG. 21 is a right-side elevational view of the wipe dispenser shown in FIG. 17;
 FIG. 22 is a left-side elevational view of the wipe dispenser shown in FIG. 17;
 FIG. 23 is a top plan view of the wipe dispenser shown in FIG. 17;
 FIG. 24 is a bottom plan view of the wipe dispenser shown in FIG. 17;
 FIG. 25 is a front, top, and right-side perspective view of a wipe dispenser according to a fourth embodiment of the present invention;
 FIG. 26 is a rear, top, and right-side perspective view of the wipe dispenser shown in FIG. 25;
 FIG. 27 is front elevational view of the wipe dispenser shown in FIG. 25;
 FIG. 28 is a rear elevational view of the wipe dispenser shown in FIG. 25;
 FIG. 29 is a right-side elevational view of the wipe dispenser shown in FIG. 25;
 FIG. 30 is a left-side elevational view of the wipe dispenser shown in FIG. 25;
 FIG. 31 is a top plan view of the wipe dispenser shown in FIG. 25;
 FIG. 32 is a bottom plan view of the wipe dispenser shown in FIG. 25;
 FIG. 33 is a front, top, and right-side perspective view of a wipe dispenser according to a fifth embodiment of the present invention;
 FIG. 34 is a rear, top, and right-side perspective view of the wipe dispenser shown in FIG. 33;
 FIG. 35 is front elevational view of the wipe dispenser shown in FIG. 33;
 FIG. 36 is a rear elevational view of the wipe dispenser shown in FIG. 33;
 FIG. 37 is a right-side elevational view of the wipe dispenser shown in FIG. 33;
 FIG. 38 is a left-side elevational view of the wipe dispenser shown in FIG. 33;
 FIG. 39 is a top plan view of the wipe dispenser shown in FIG. 33;
 FIG. 40 is a bottom plan view of the wipe dispenser shown in FIG. 33;
 FIG. 41 is a front, top, and right-side perspective view of a wipe dispenser according to a sixth embodiment of the present invention;
 FIG. 42 is a rear, top, and right-side perspective view of the wipe dispenser shown in FIG. 41;
 FIG. 43 is front elevational view of the wipe dispenser shown in FIG. 41;
 FIG. 44 is a rear elevational view of the wipe dispenser shown in FIG. 41;
 FIG. 45 is a right-side elevational view of the wipe dispenser shown in FIG. 41;
 FIG. 46 is a left-side elevational view of the wipe dispenser shown in FIG. 41;
 FIG. 47 is a top plan view of the wipe dispenser shown in FIG. 41; and,
 FIG. 48 is a bottom plan view of the wipe dispenser shown in FIG. 41.
 The dot-dash-dot broken lines depict the boundaries of the claimed design and form no part thereof. All other broken lines, including those illustrating the aperture feature in the

center of the shaded area immediately adjacent the edge of the wipe dispenser depict environment and form no part of the claimed design.

The surface shading illustrated in the drawings is provided merely to highlight the contours of the design; it is not intended to be illustrative of texture or gloss.

1 Claim, 36 Drawing Sheets

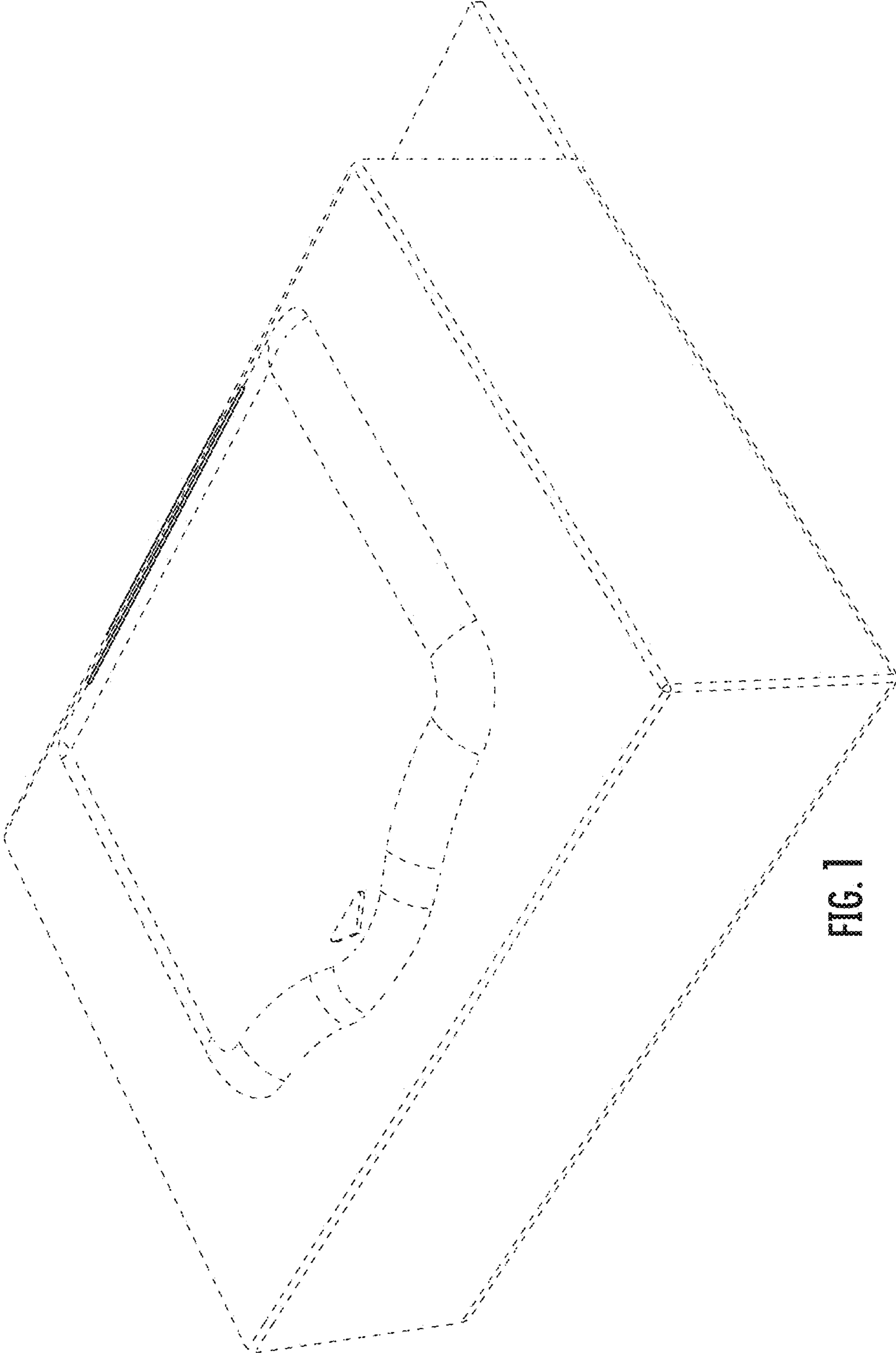


FIG. 1

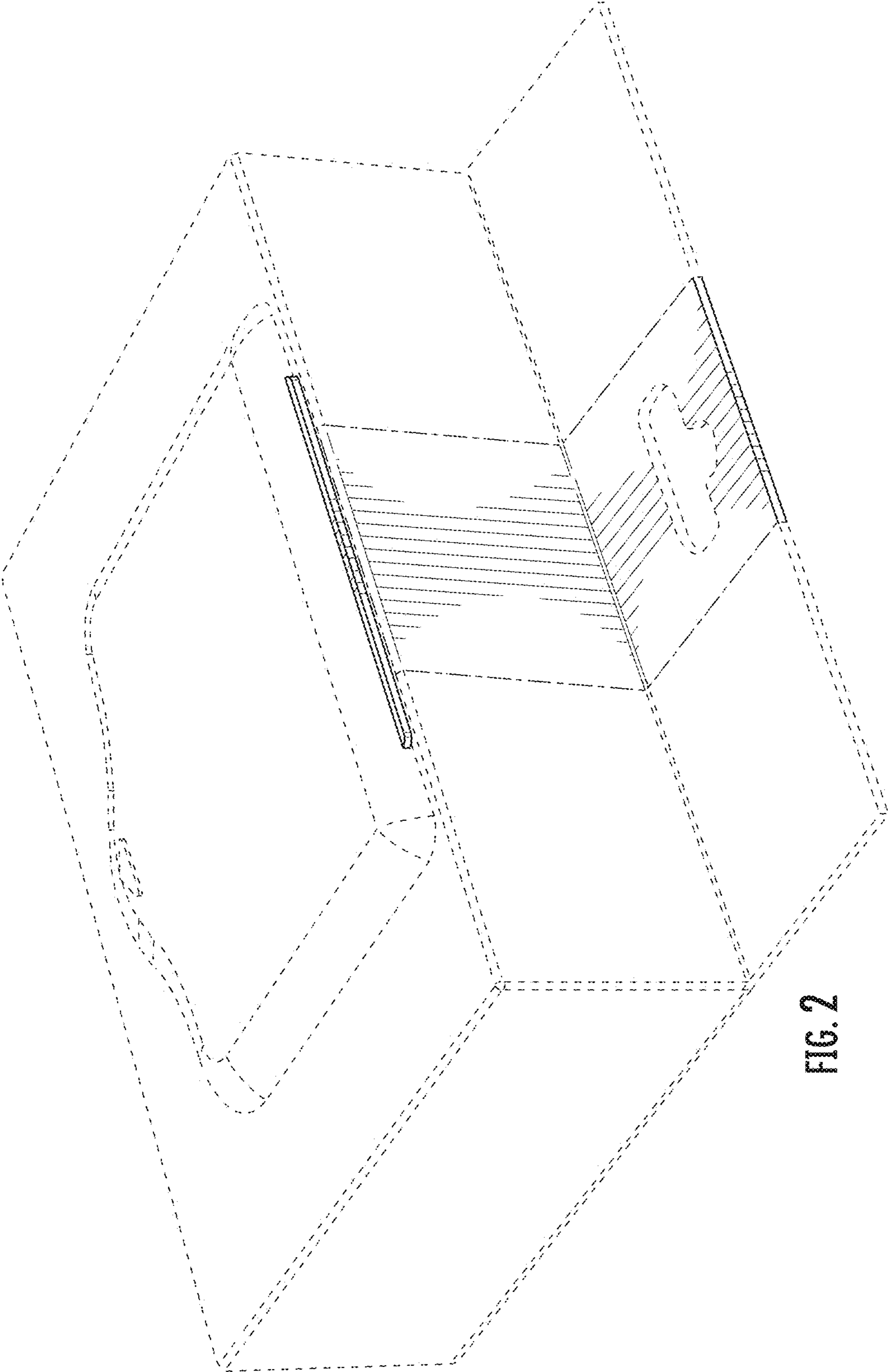


FIG. 2

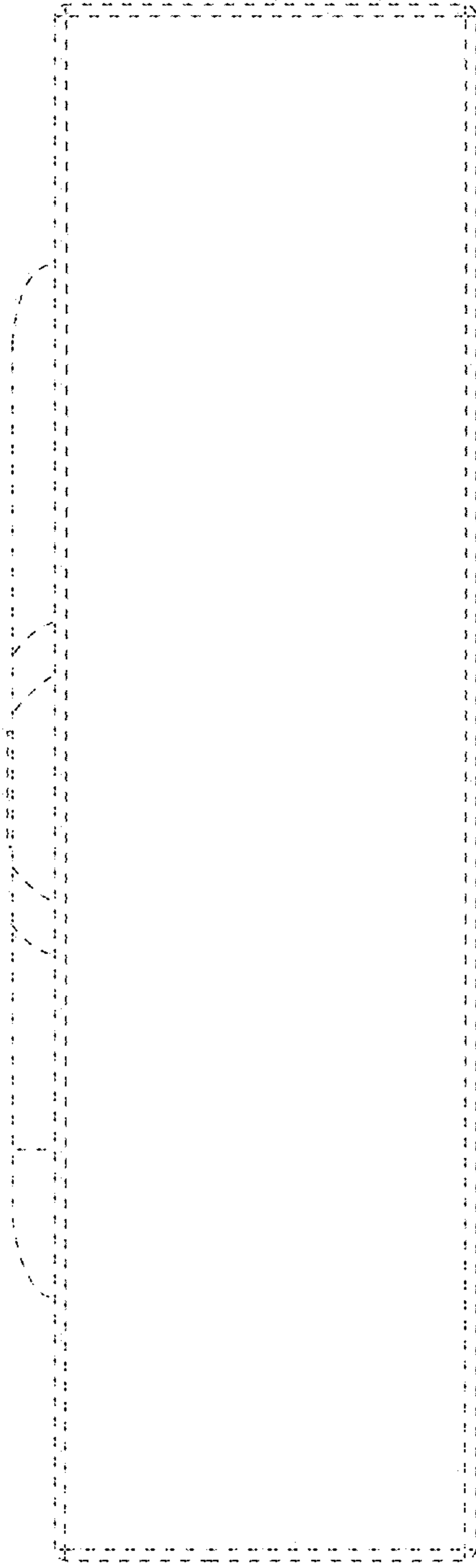


FIG. 3

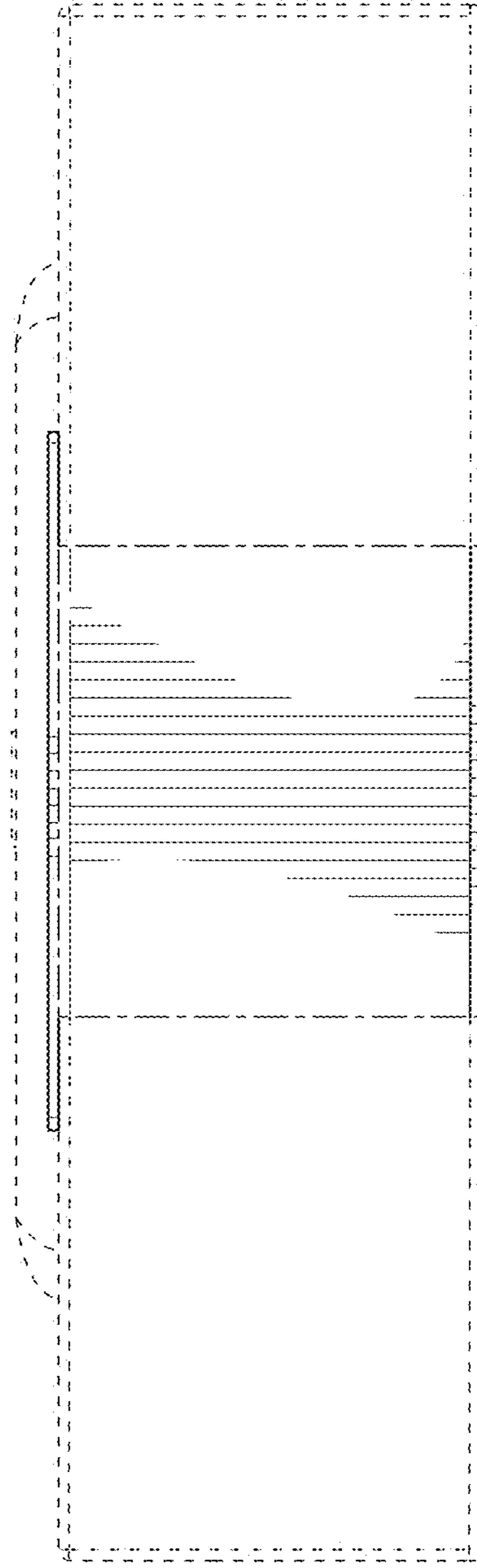


FIG. 4

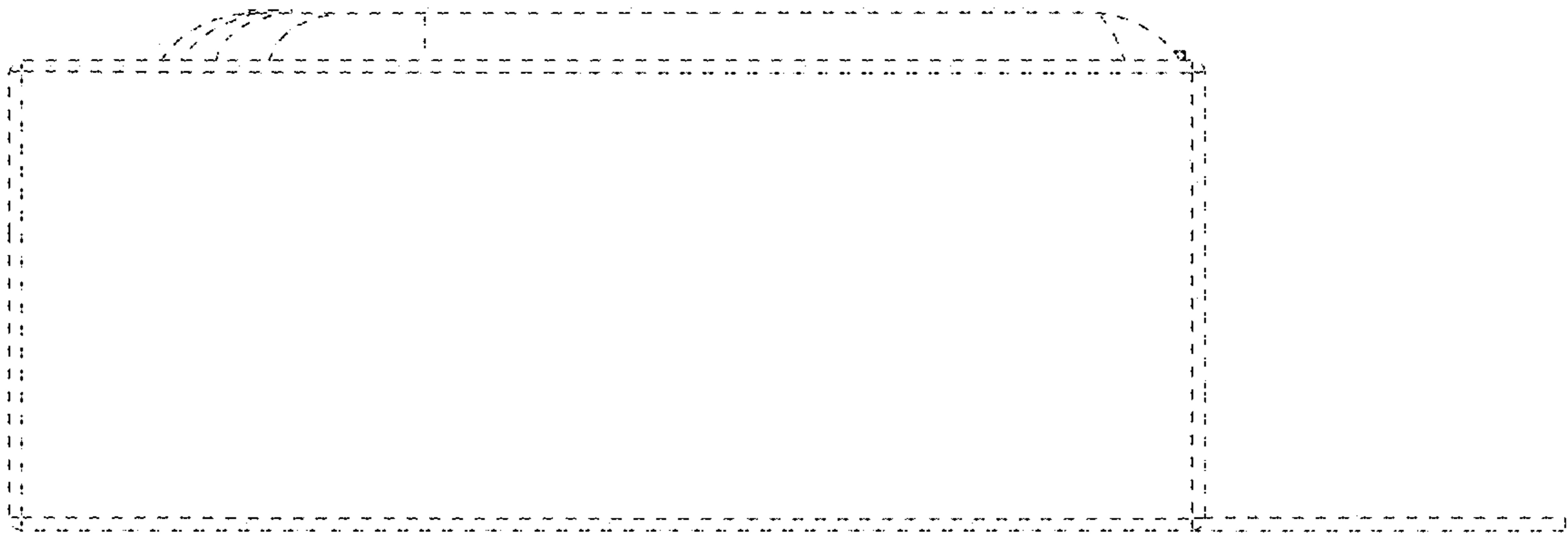


FIG. 5

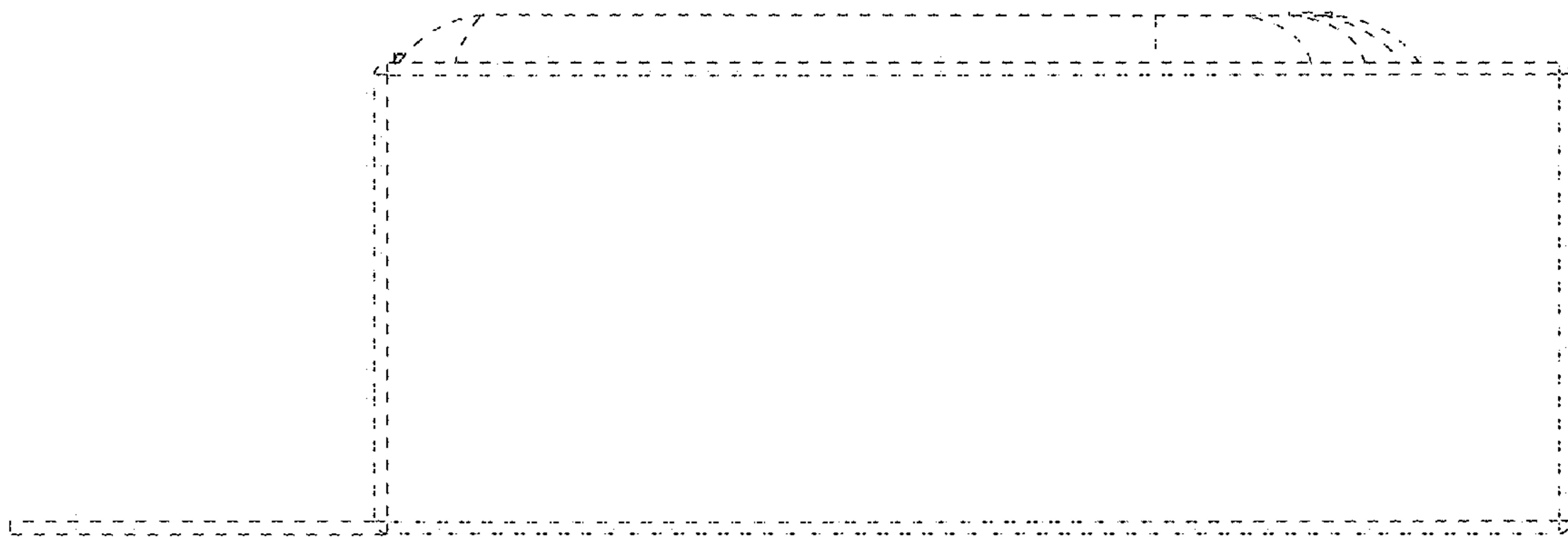


FIG. 6

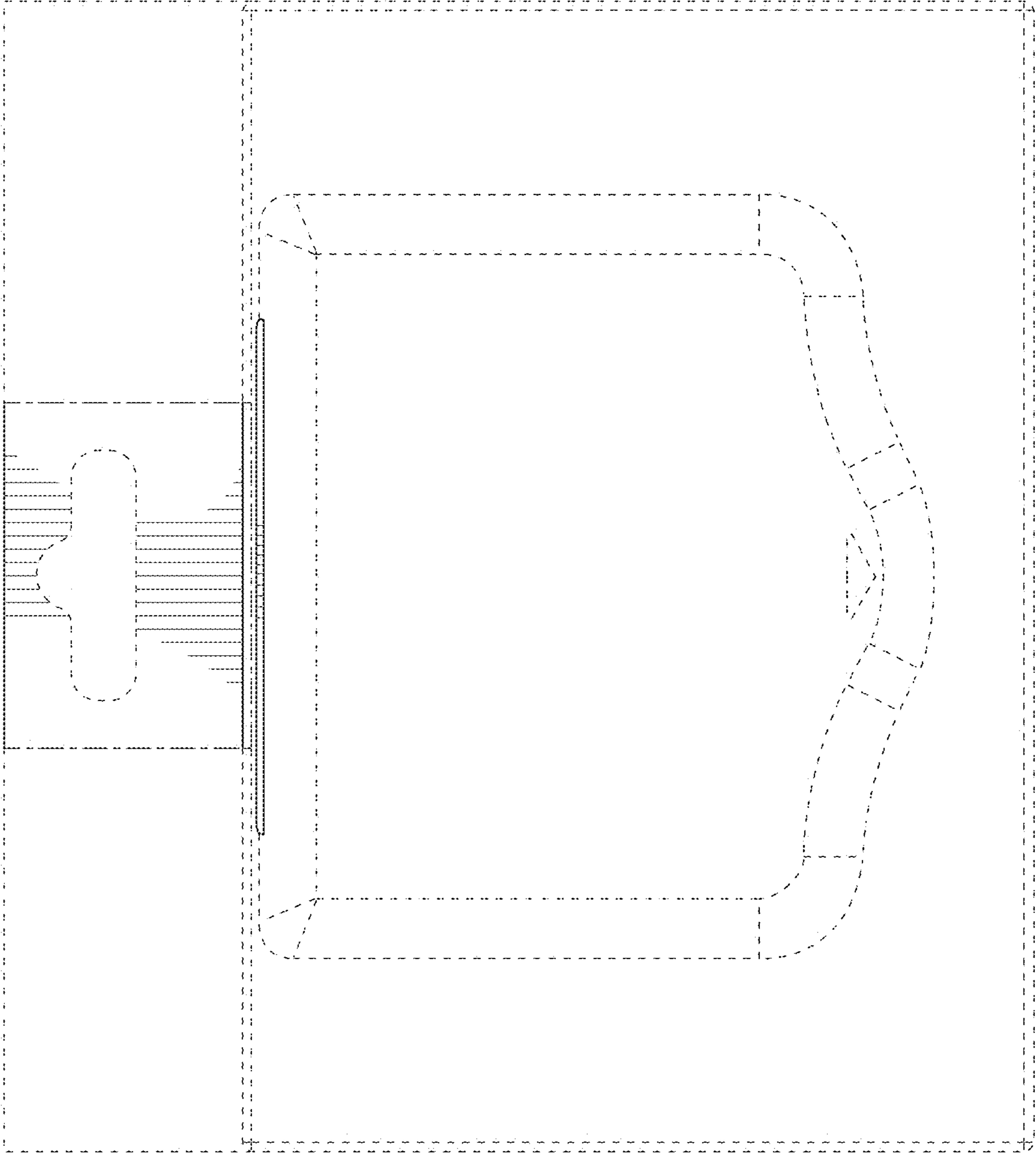


FIG. 7

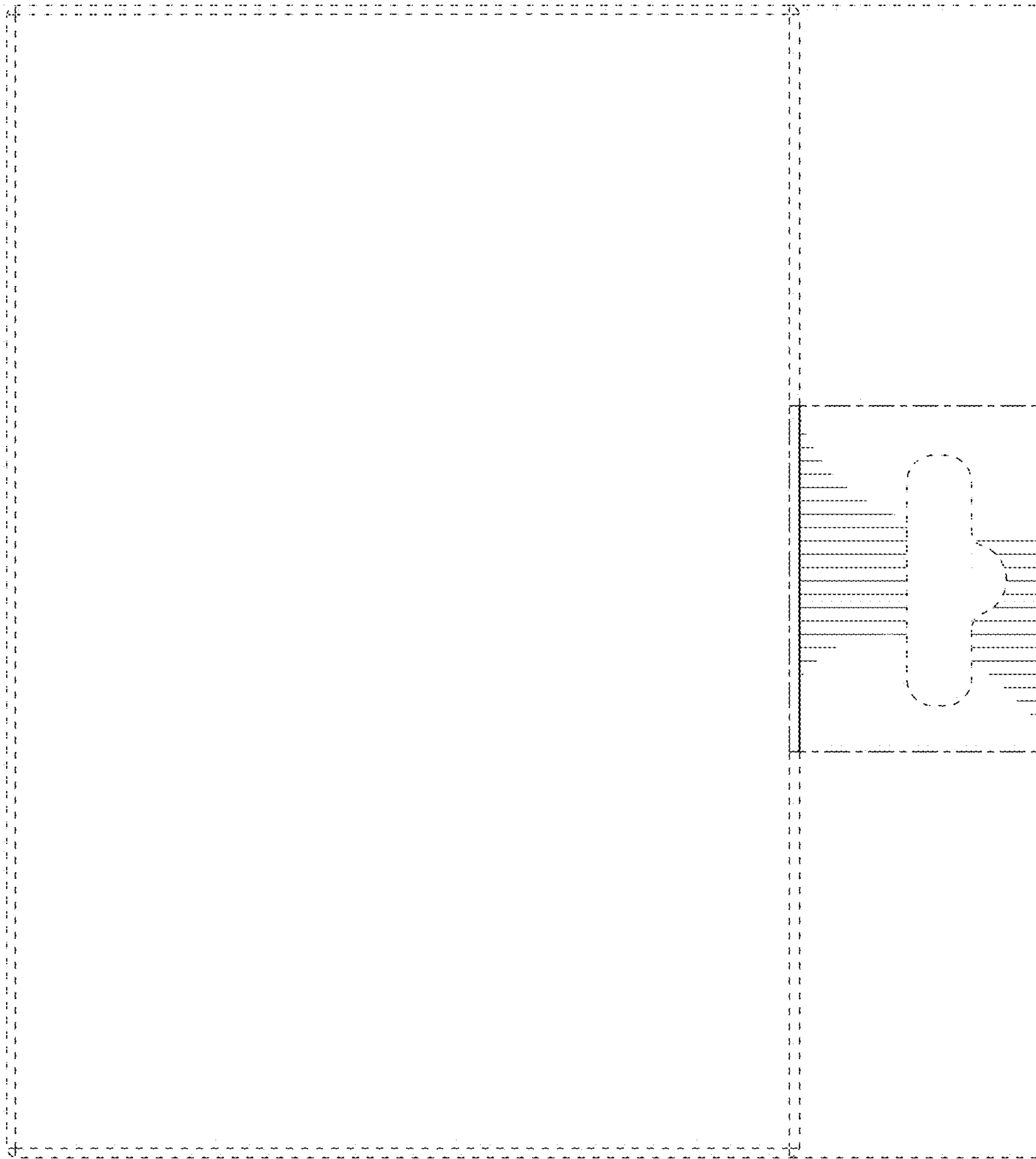


FIG. 8

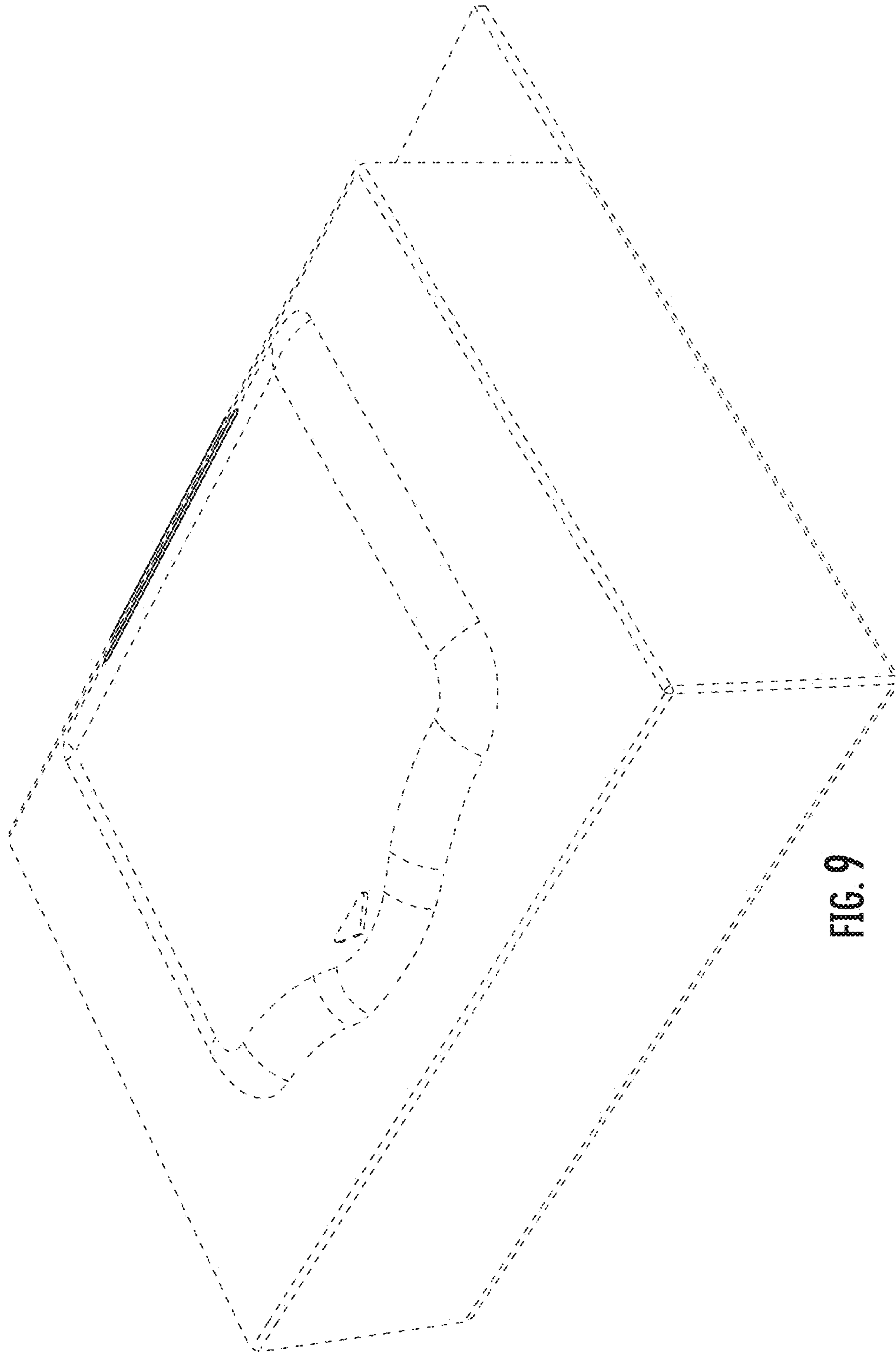


FIG. 9

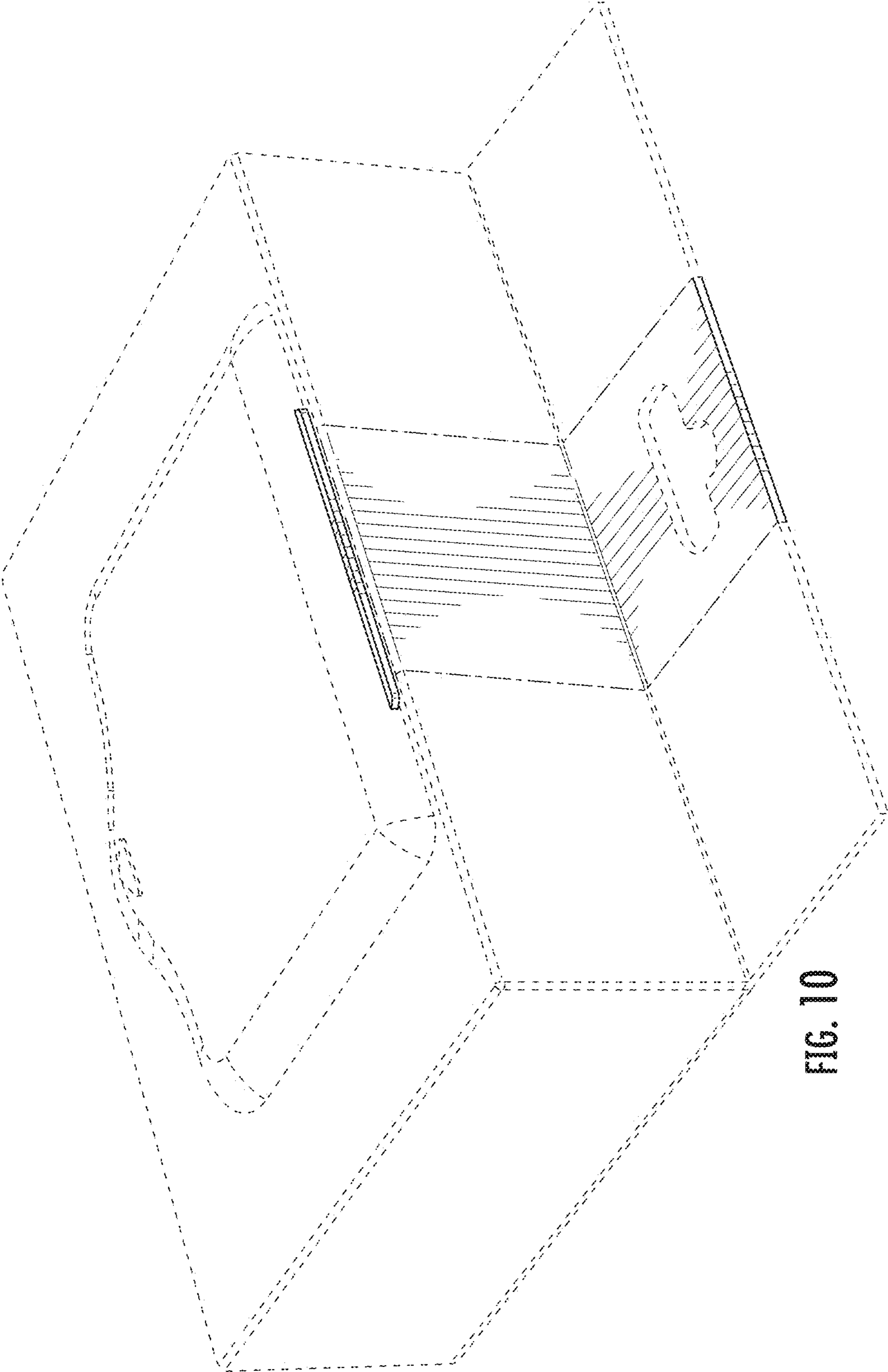


FIG. 10

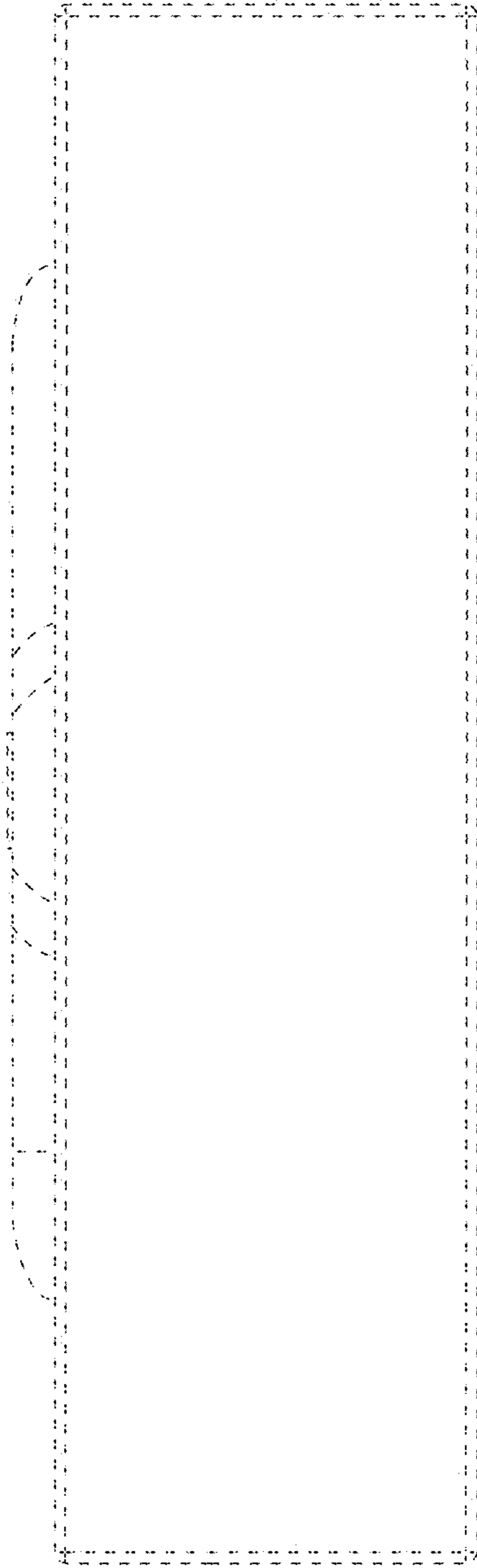


FIG. 11

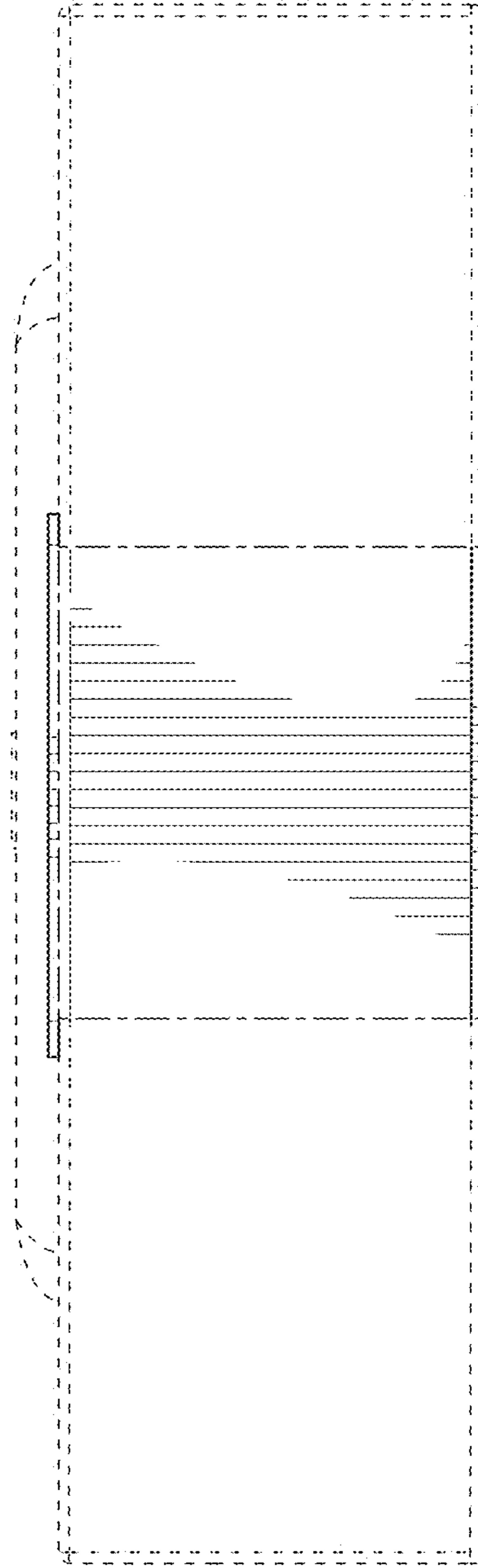


FIG. 12

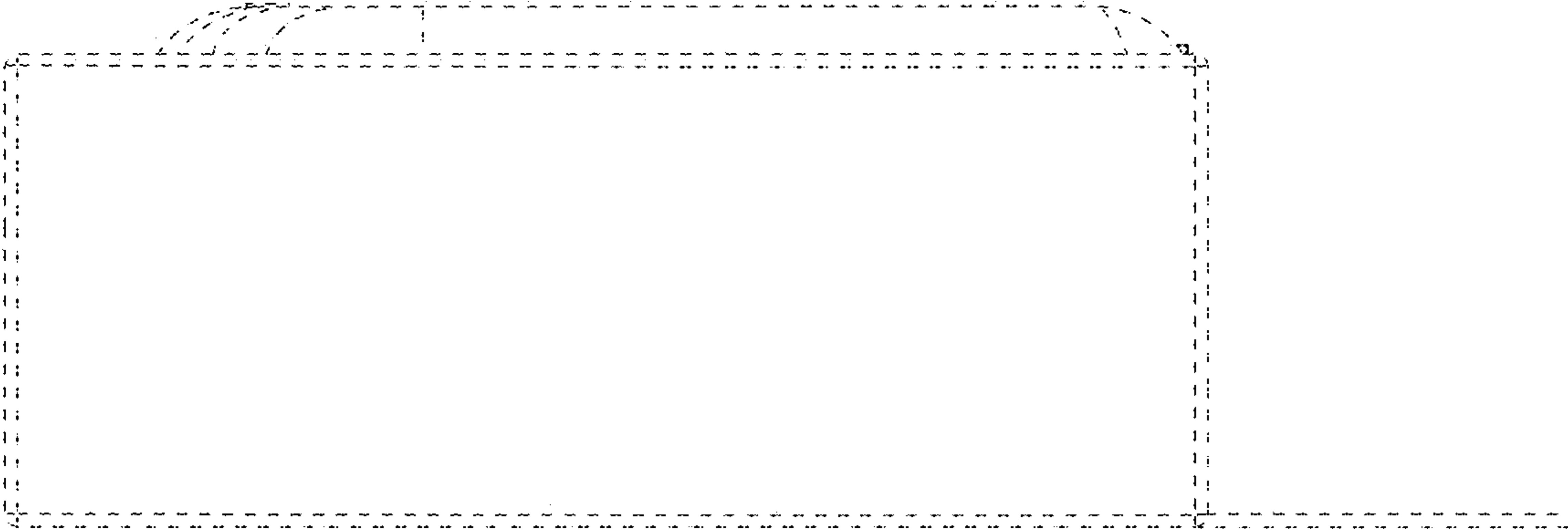


FIG. 13

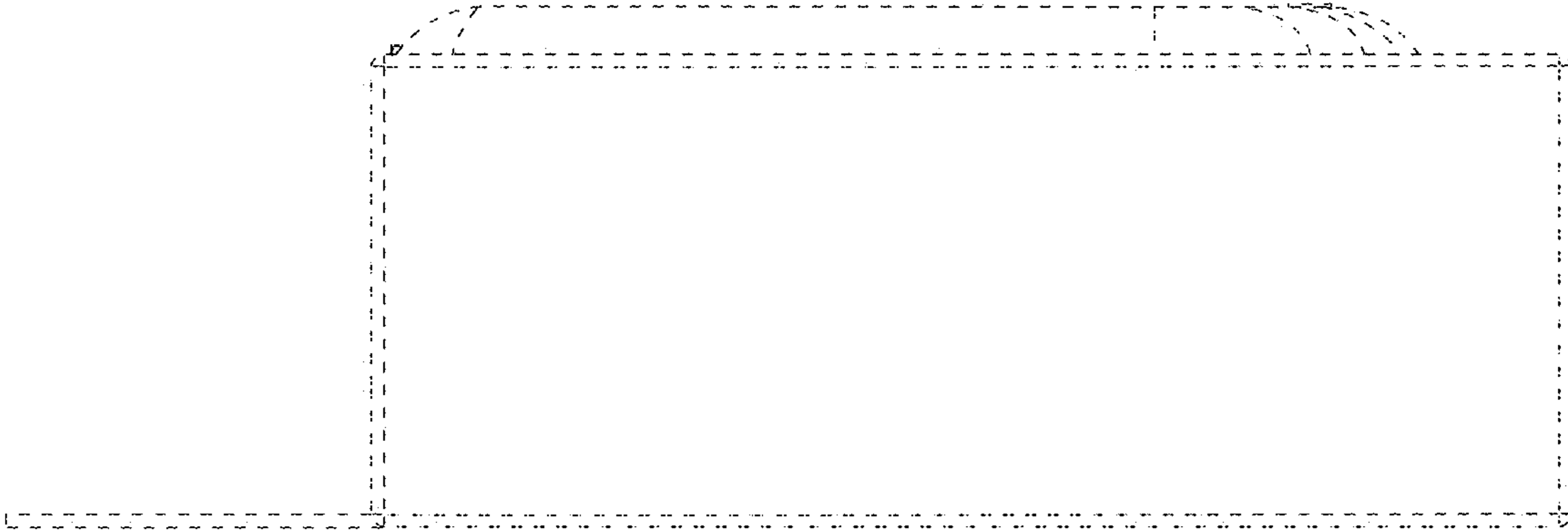


FIG. 14

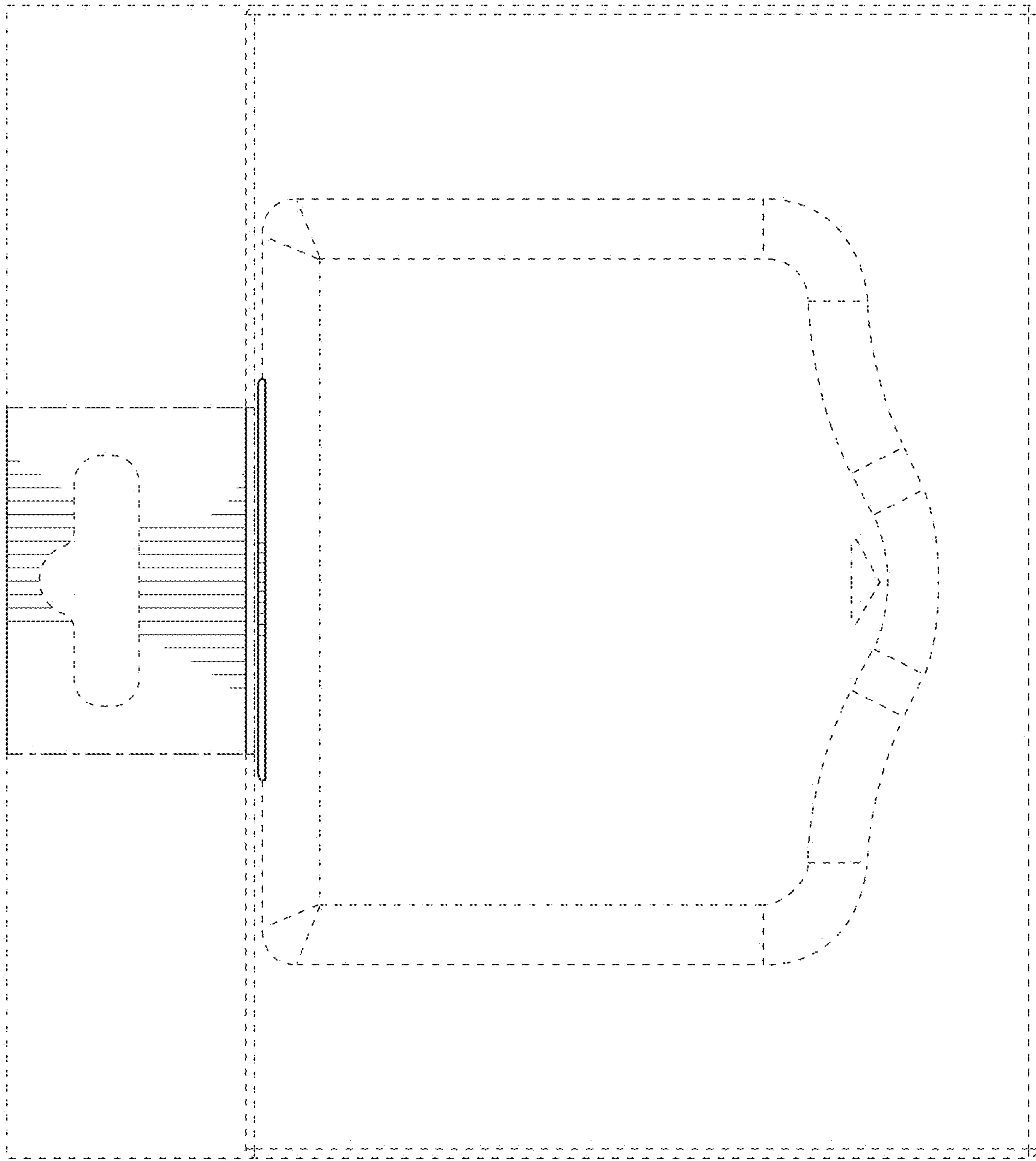


FIG. 15

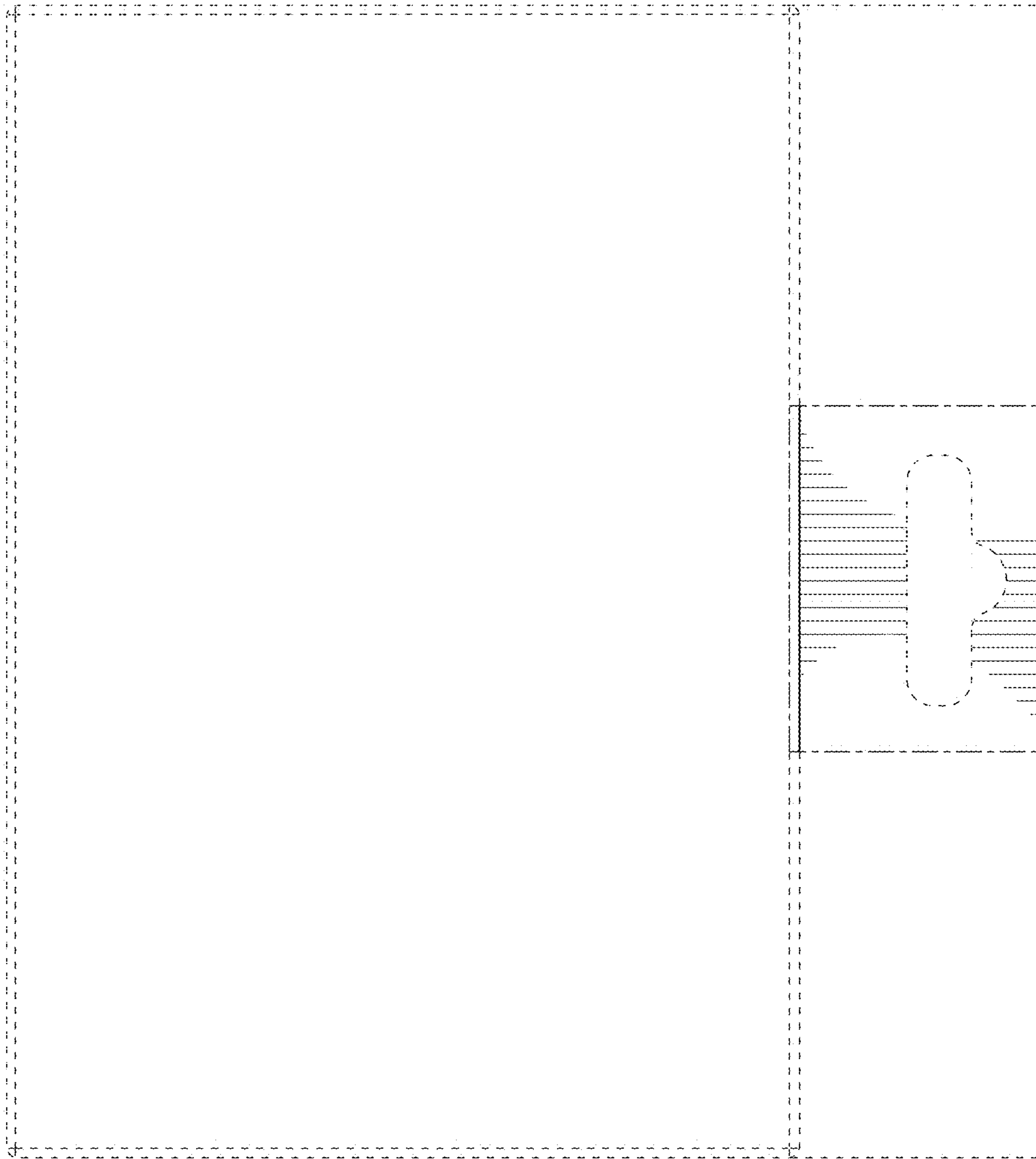


FIG. 16

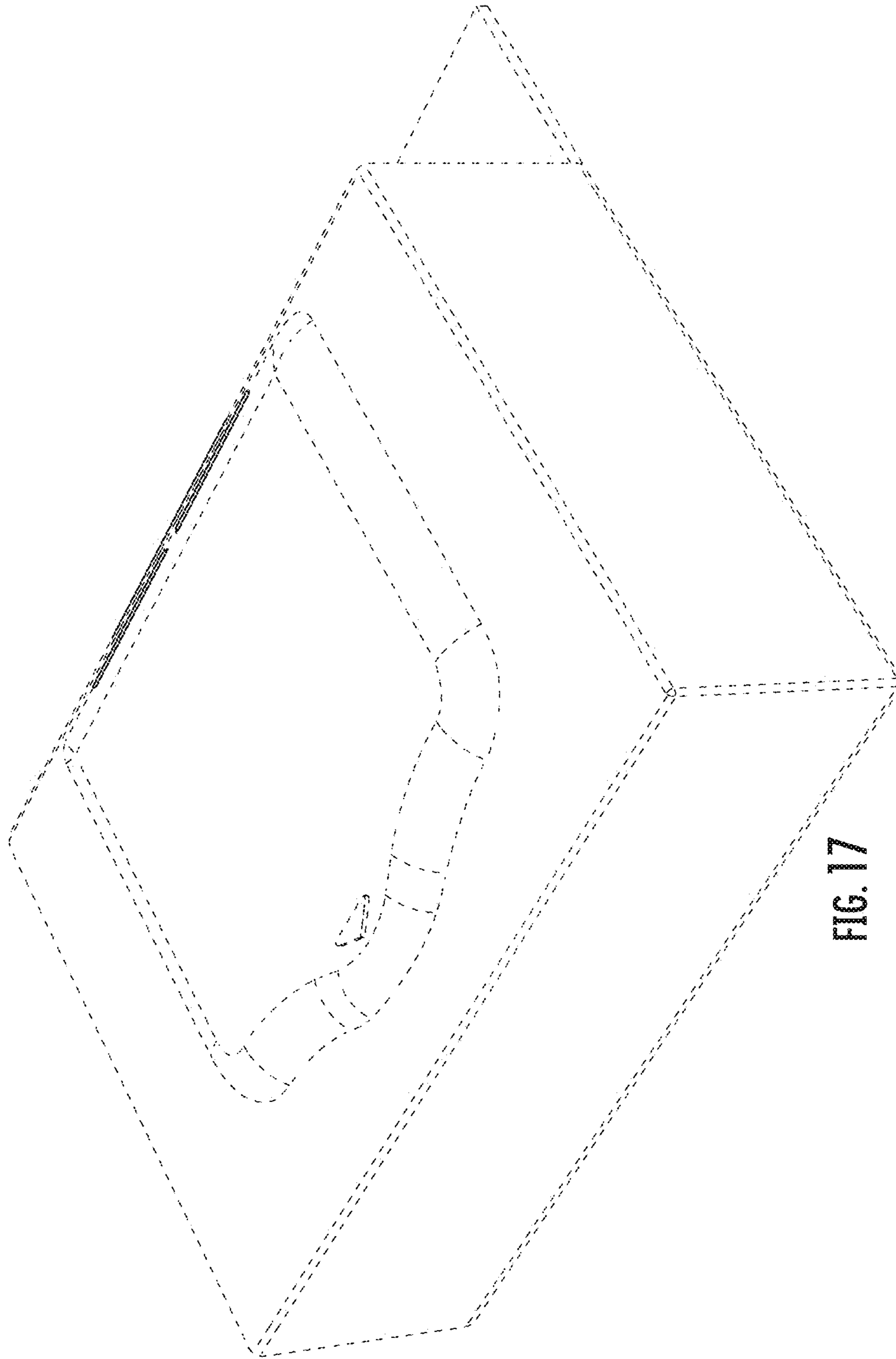


FIG. 17

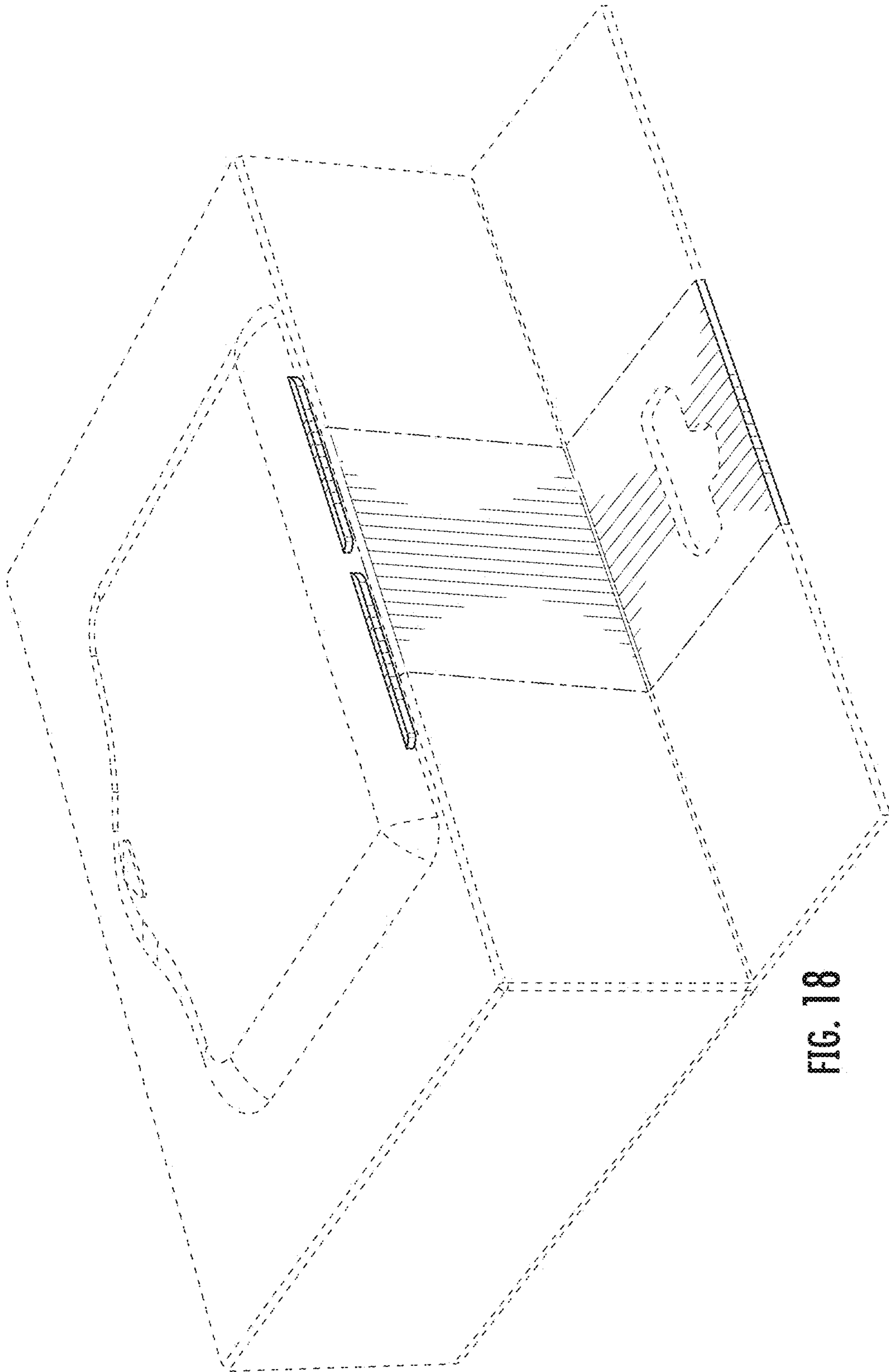


FIG. 18

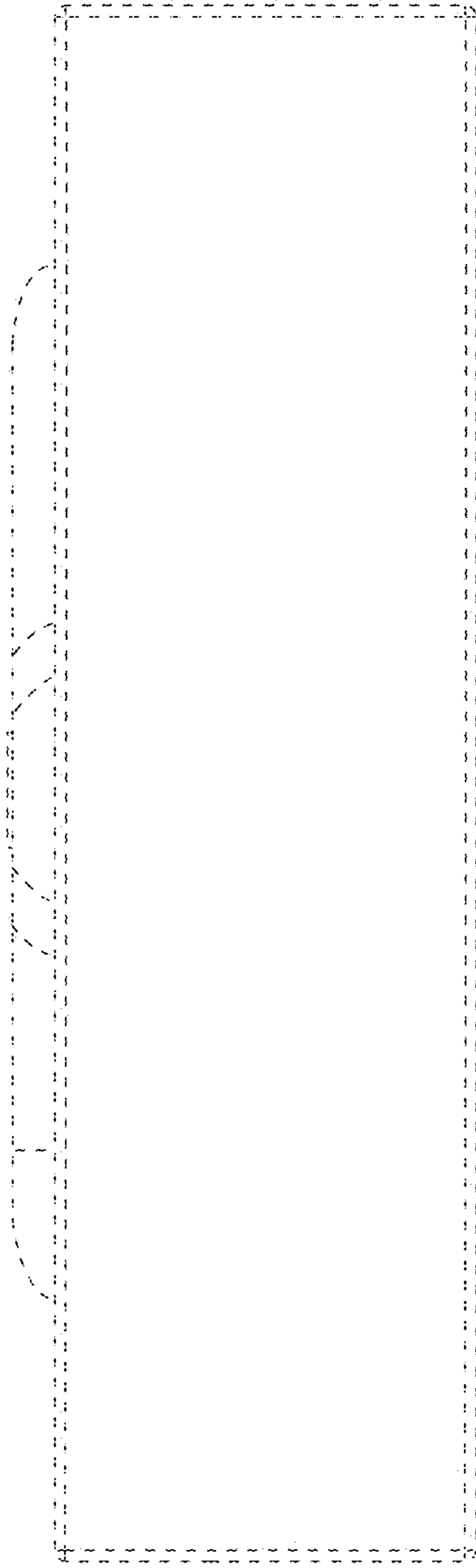


FIG. 19

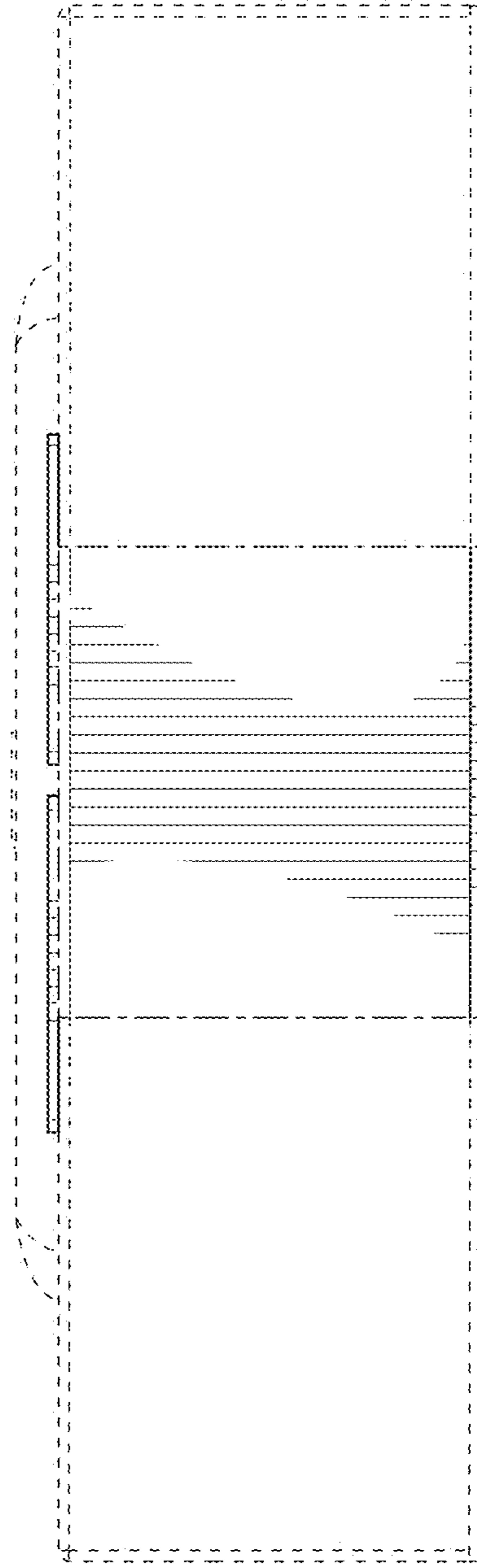


FIG. 20

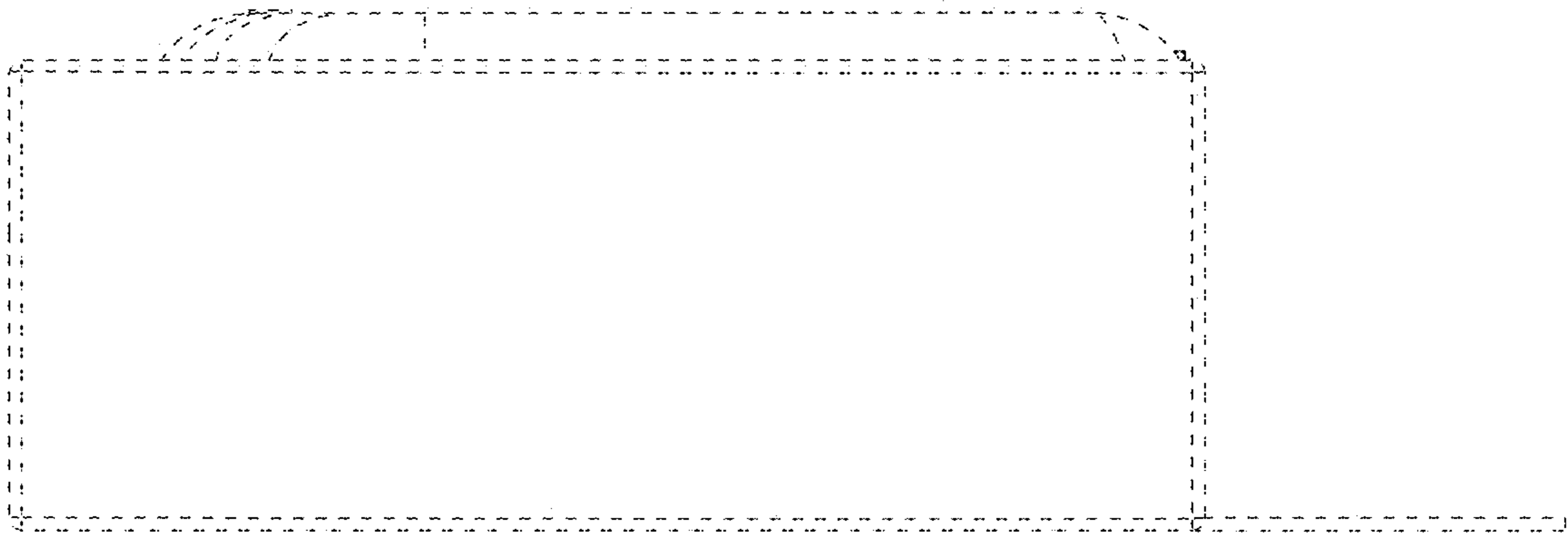


FIG. 21

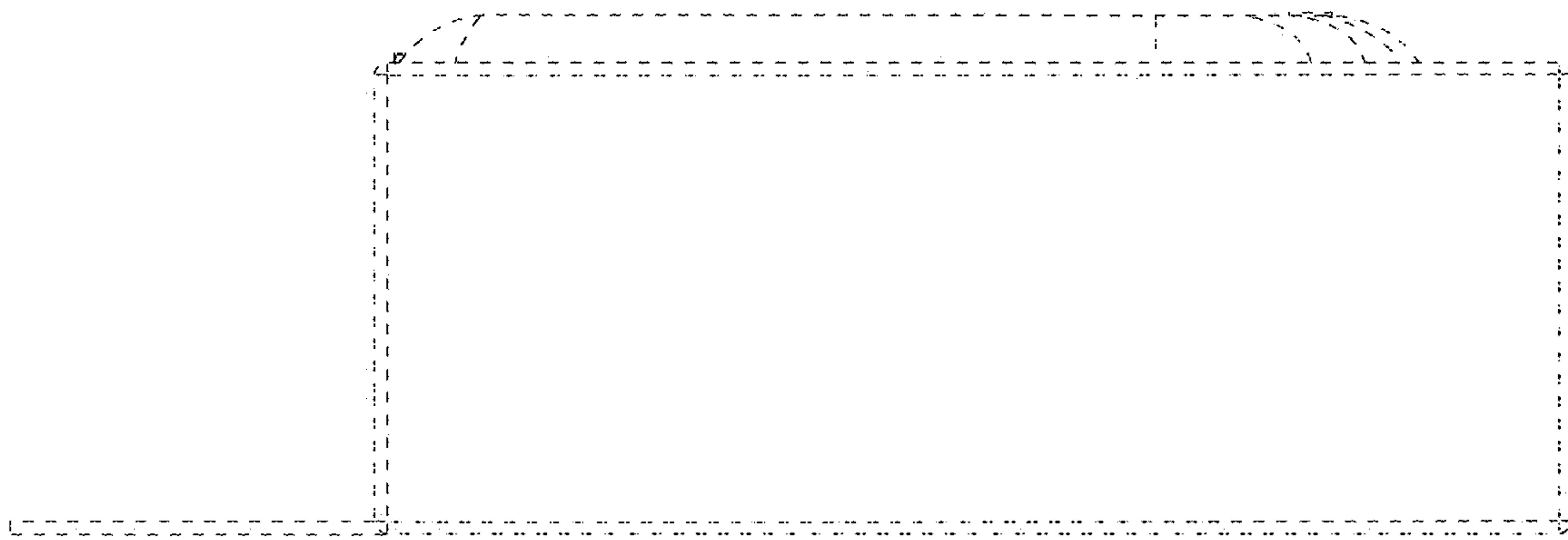


FIG. 22

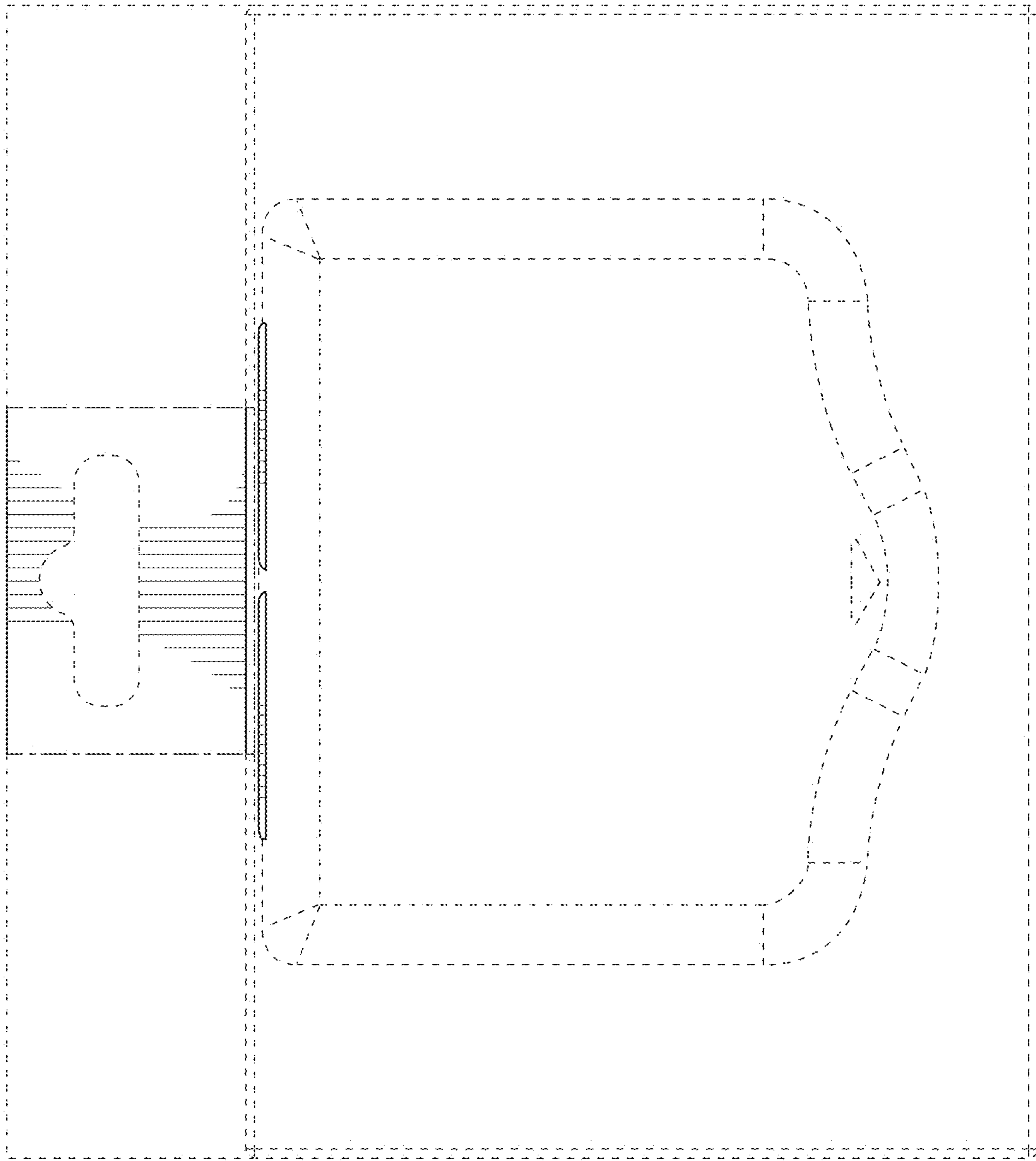


FIG. 23

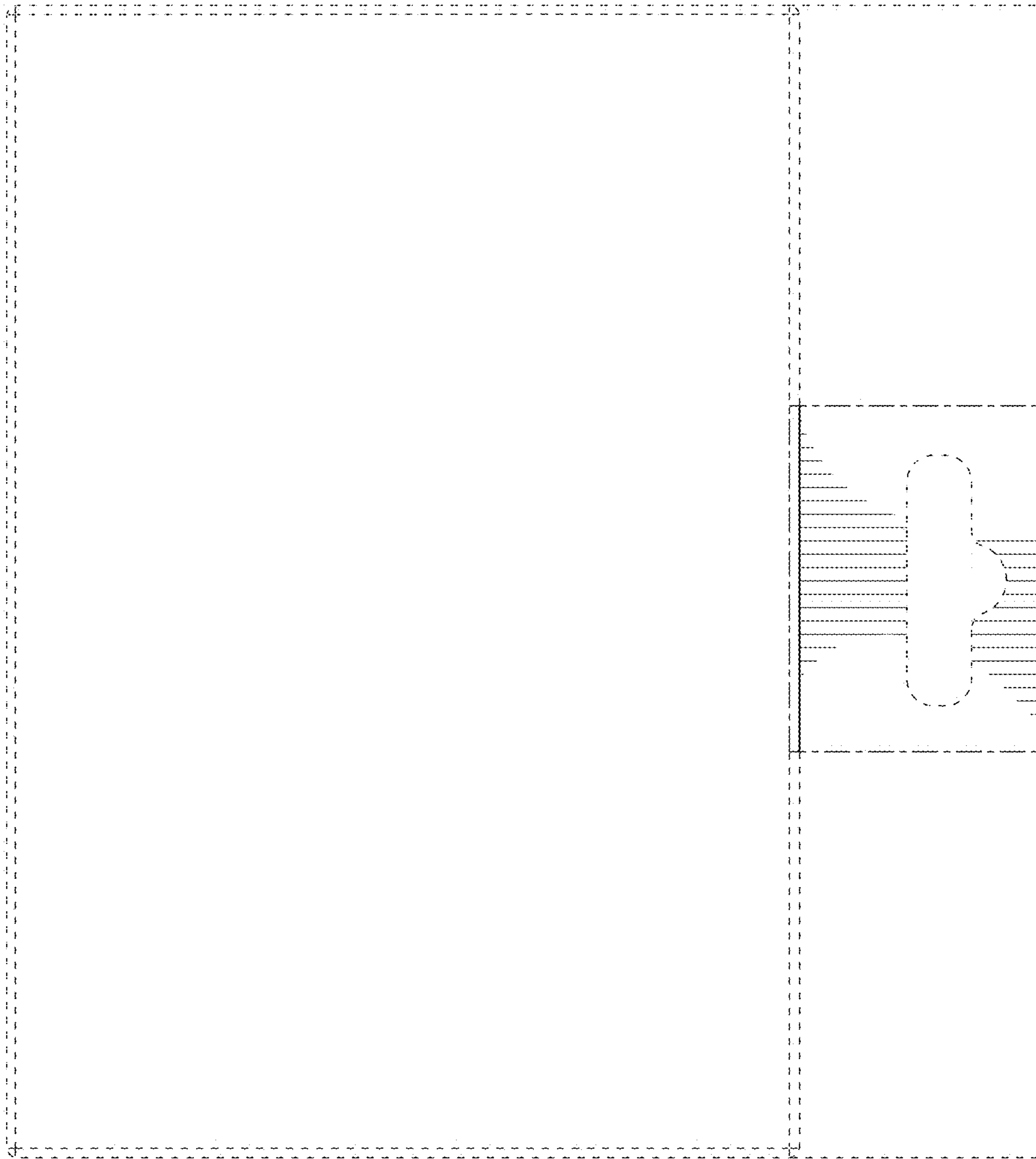


FIG. 24

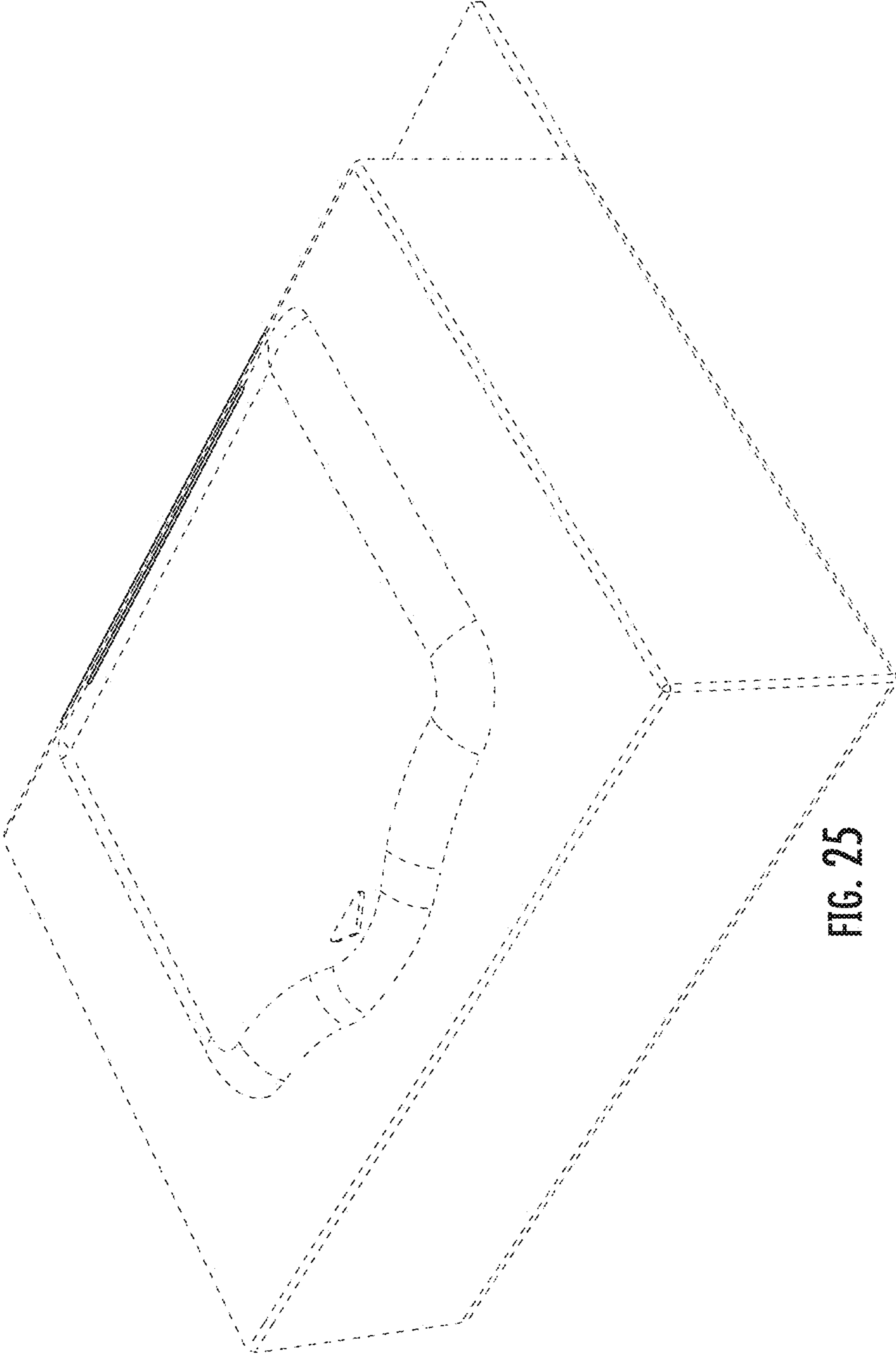


FIG. 25

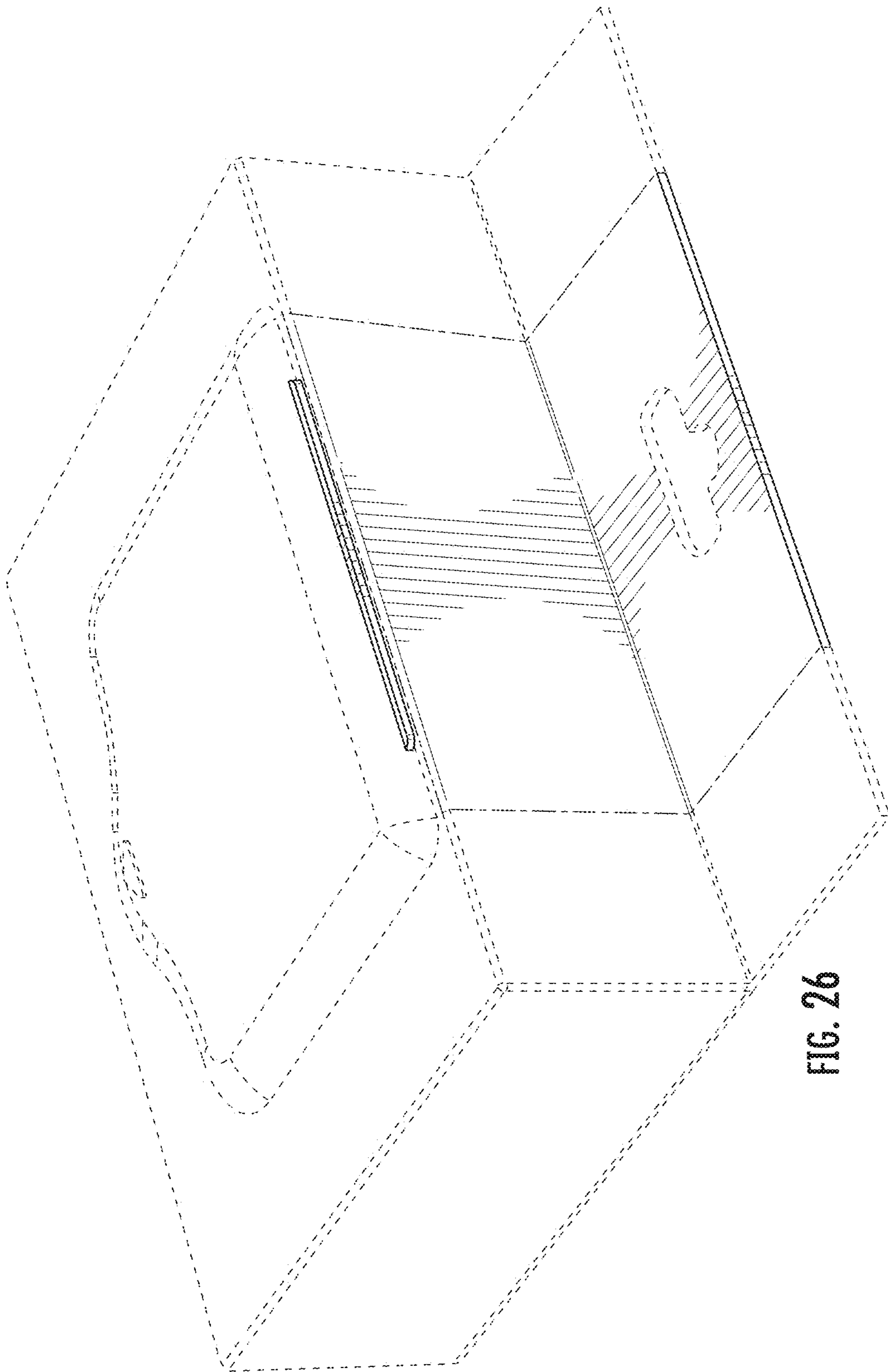


FIG. 26

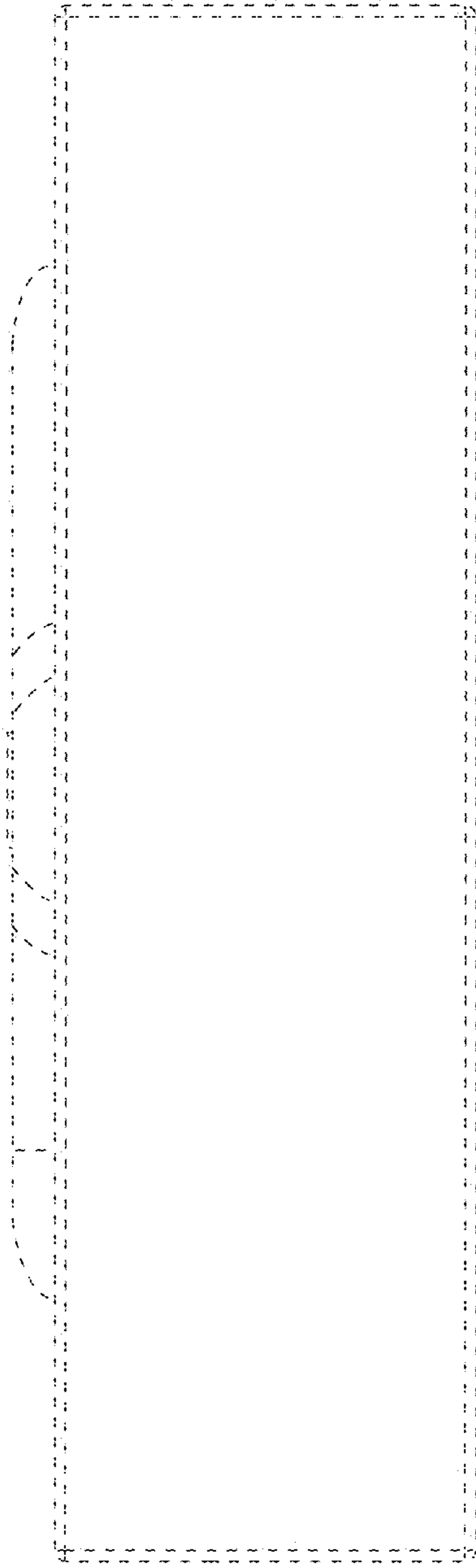


FIG. 27

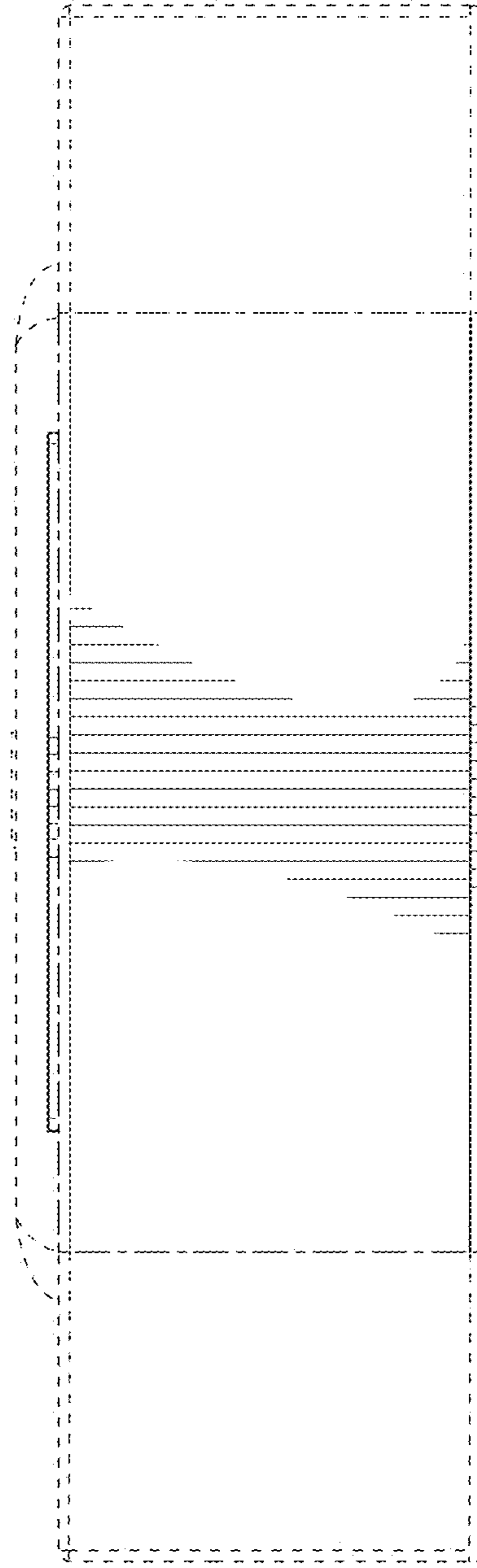


FIG. 28

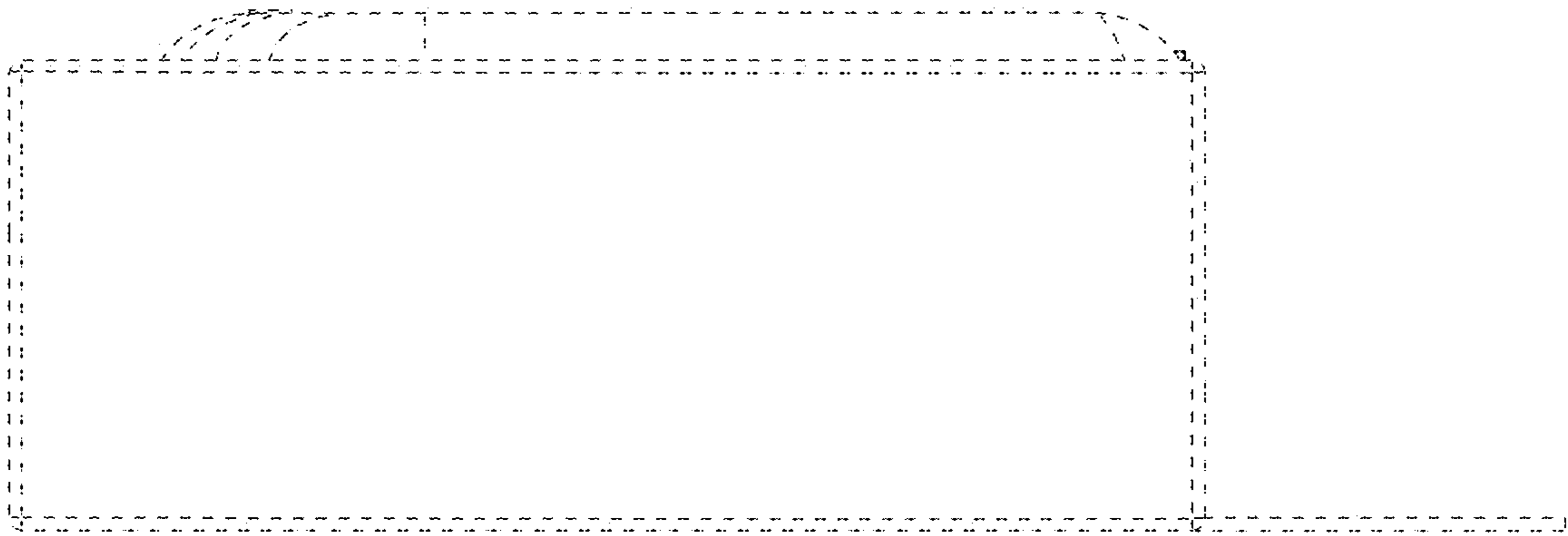


FIG. 29

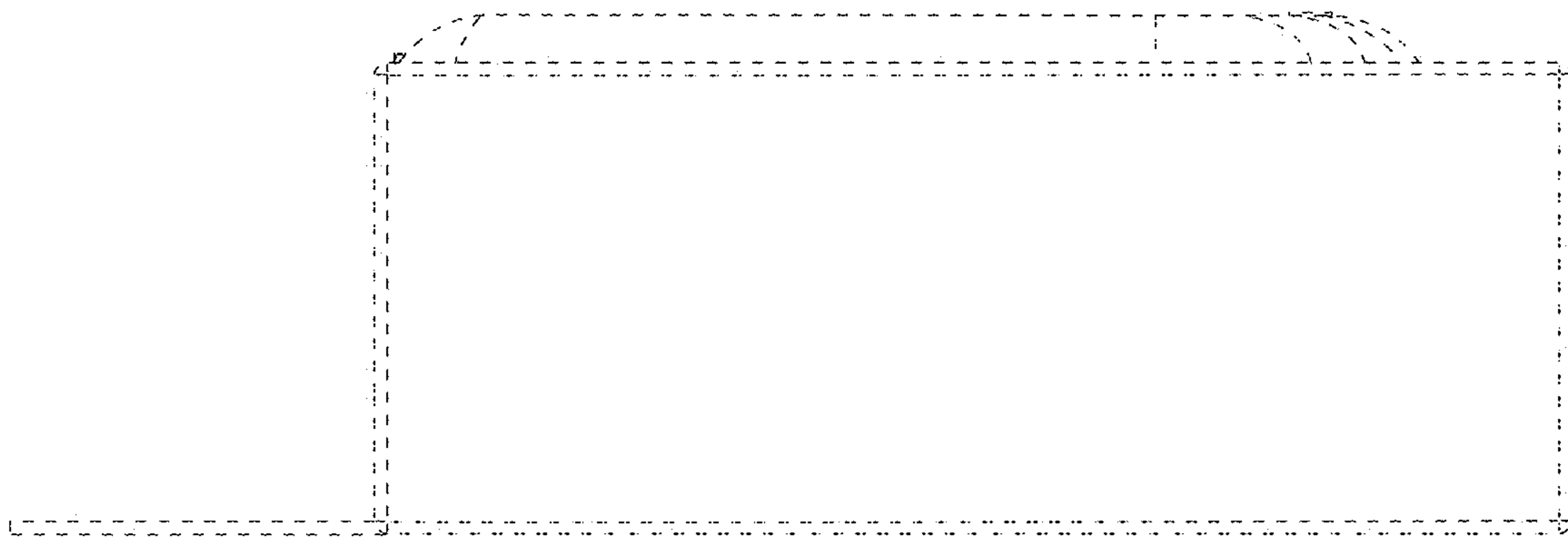


FIG. 30

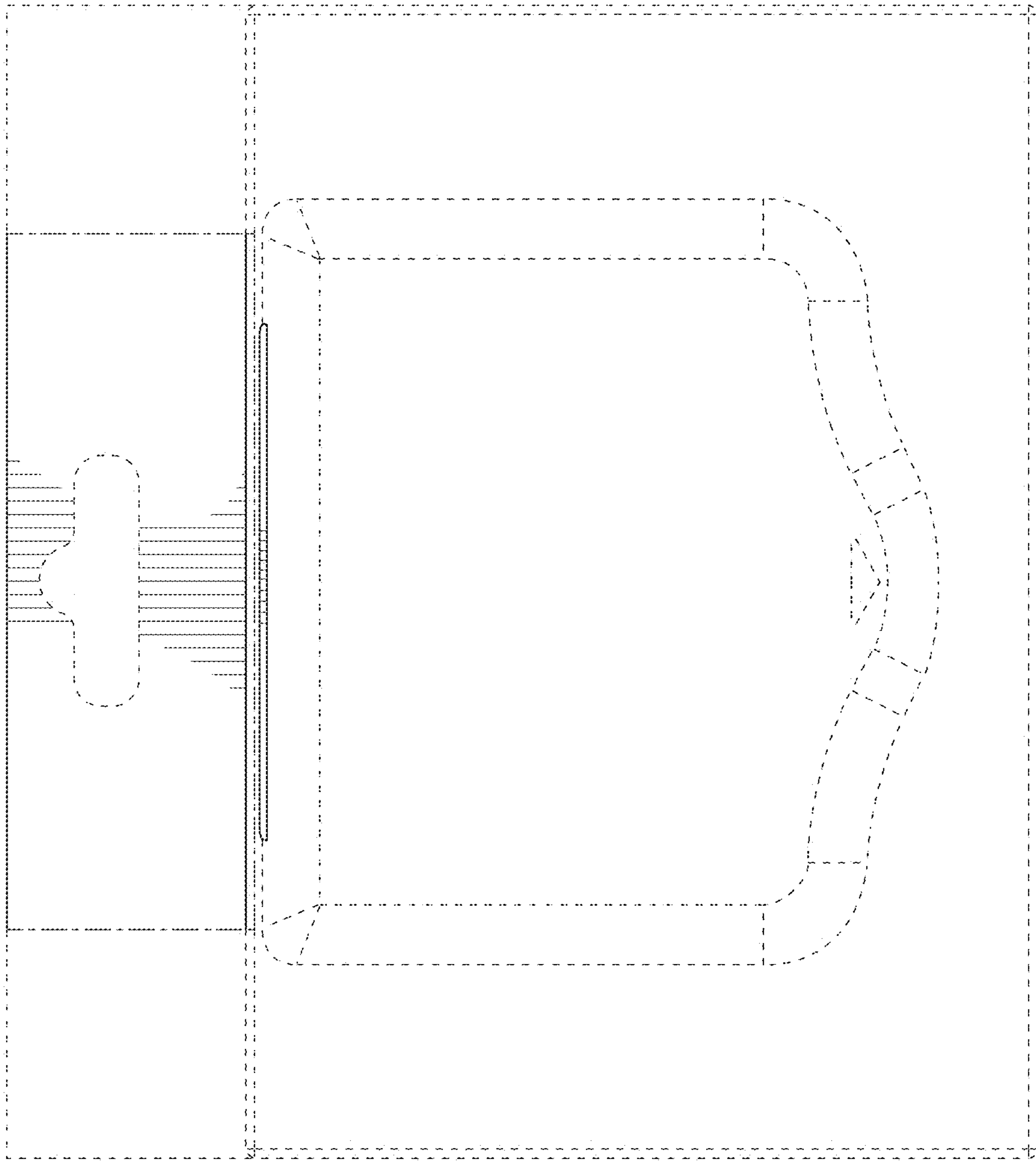


FIG. 31

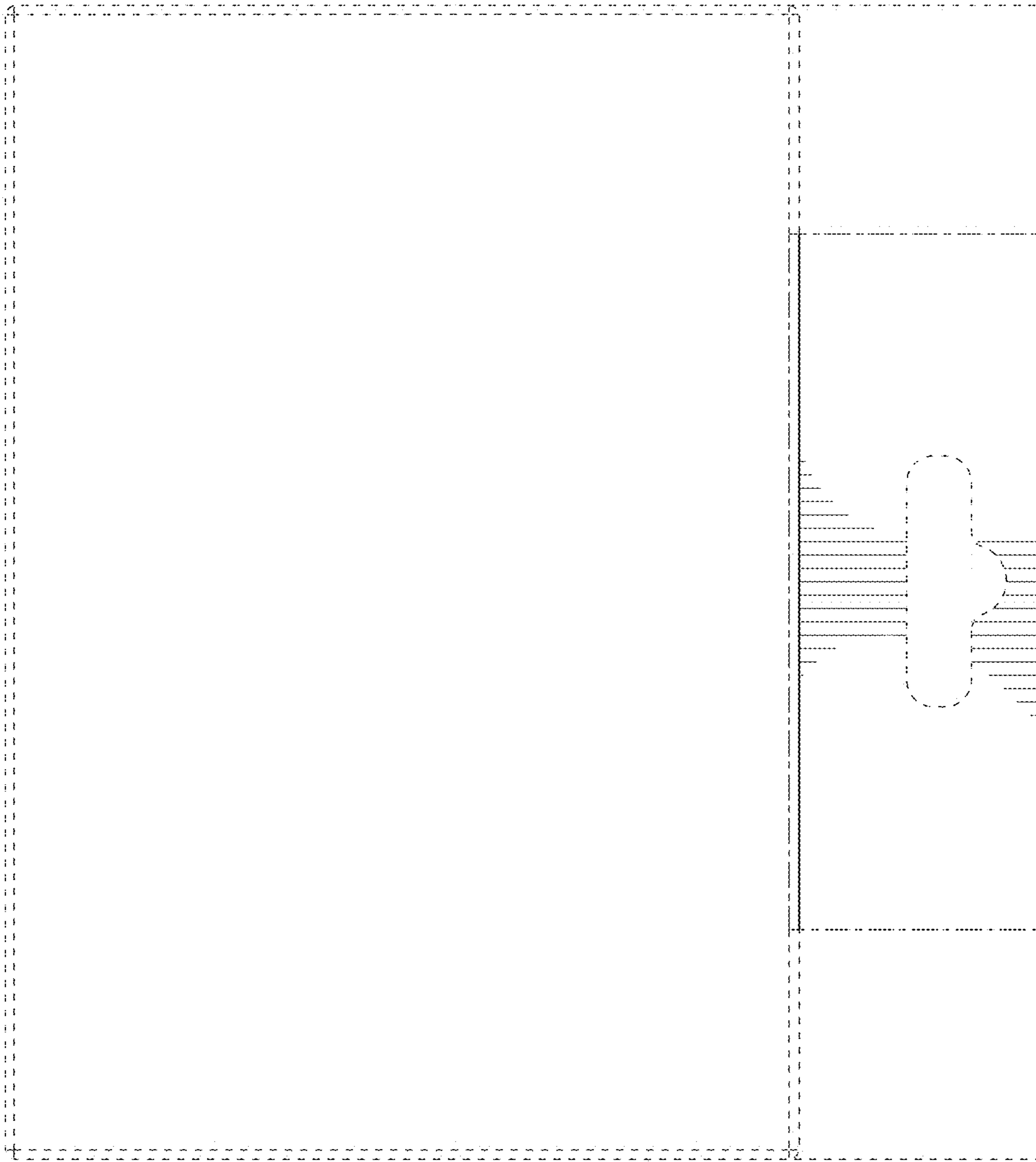


FIG. 32

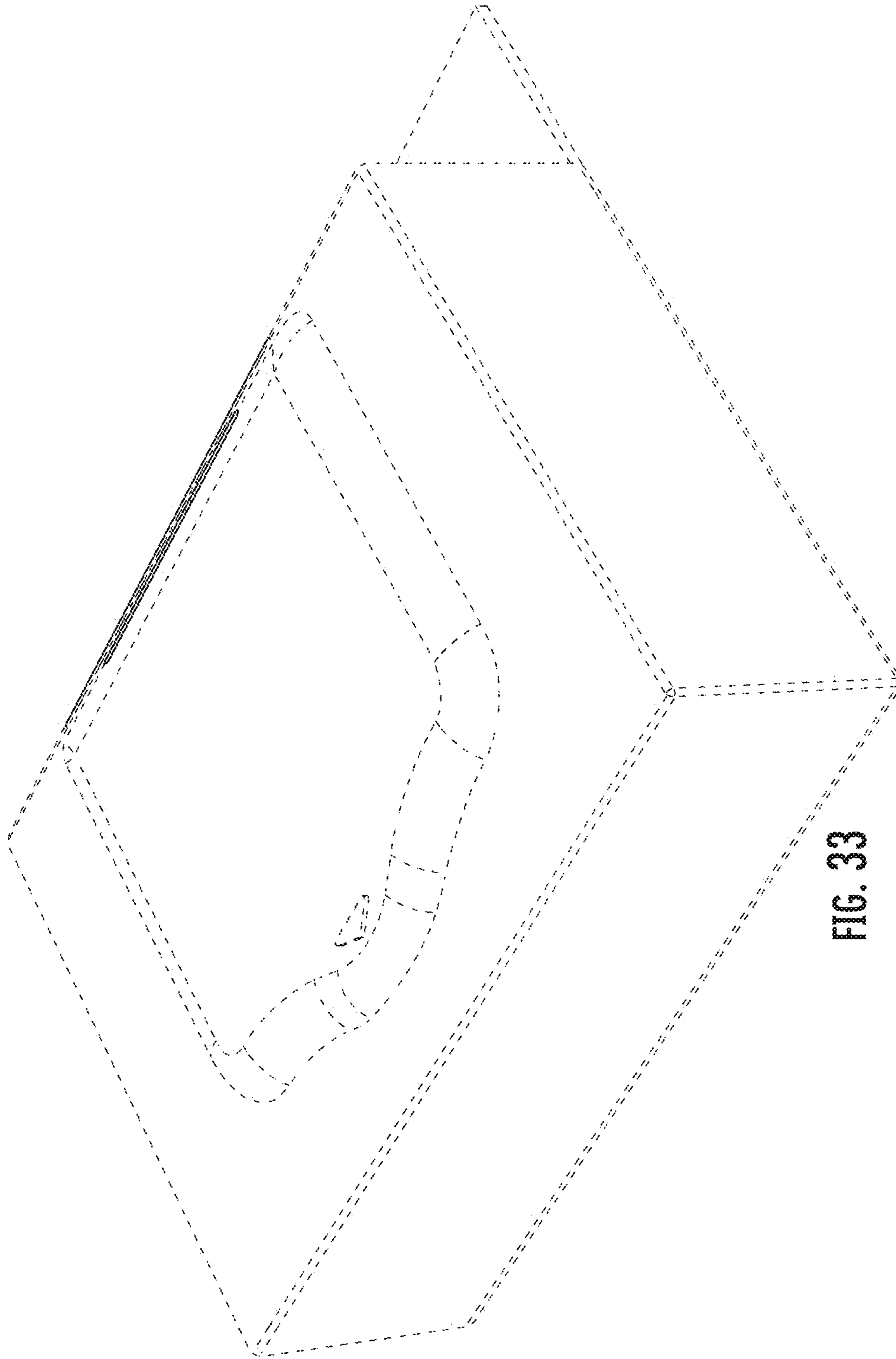


FIG. 33

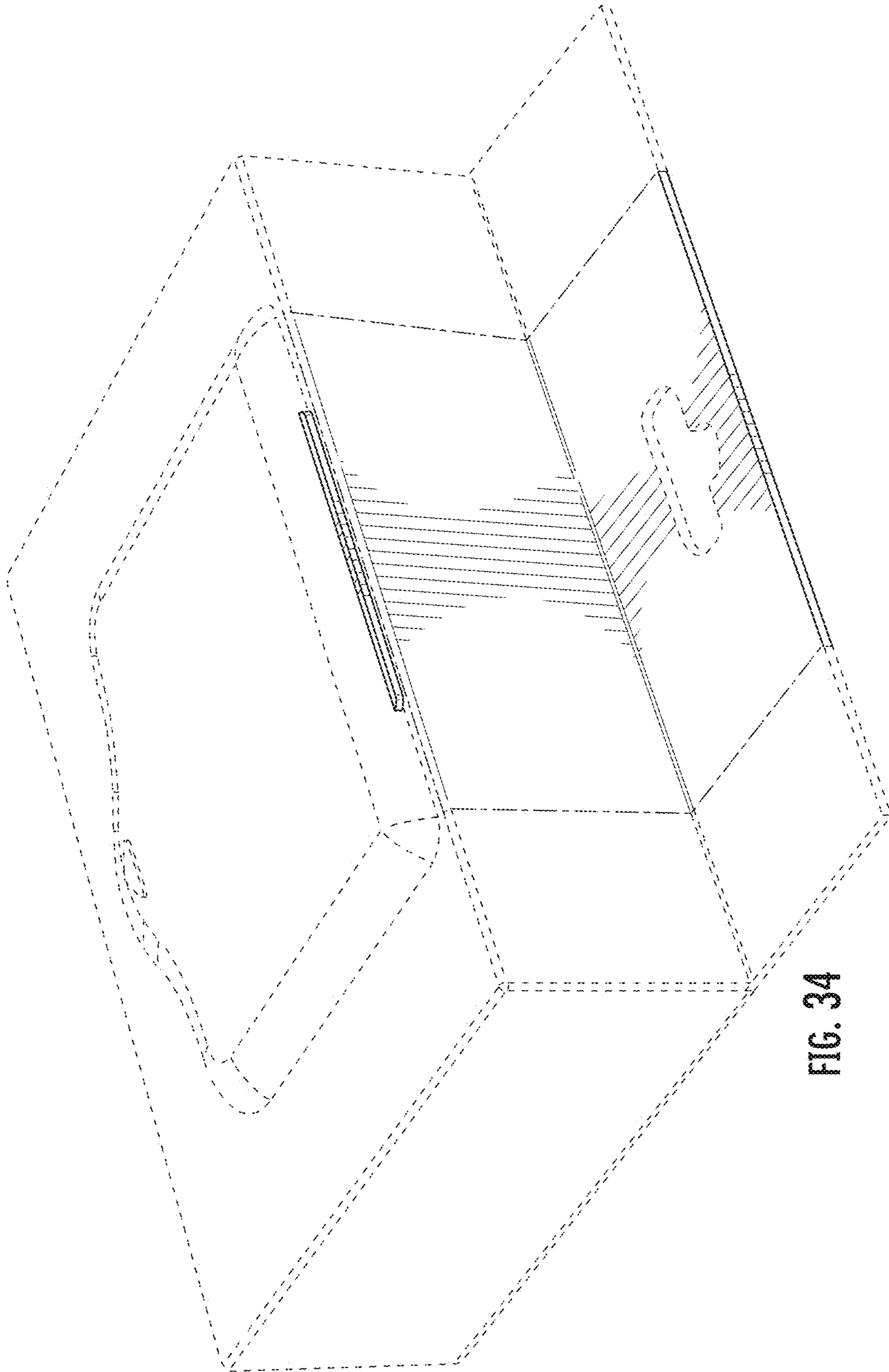


FIG. 34

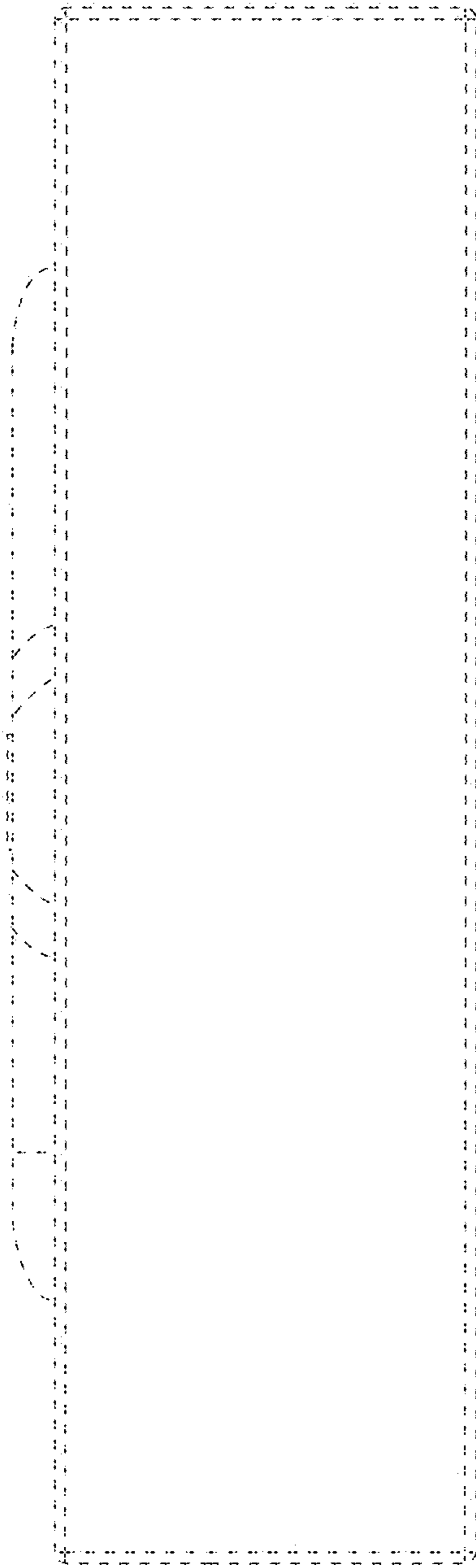


FIG. 35

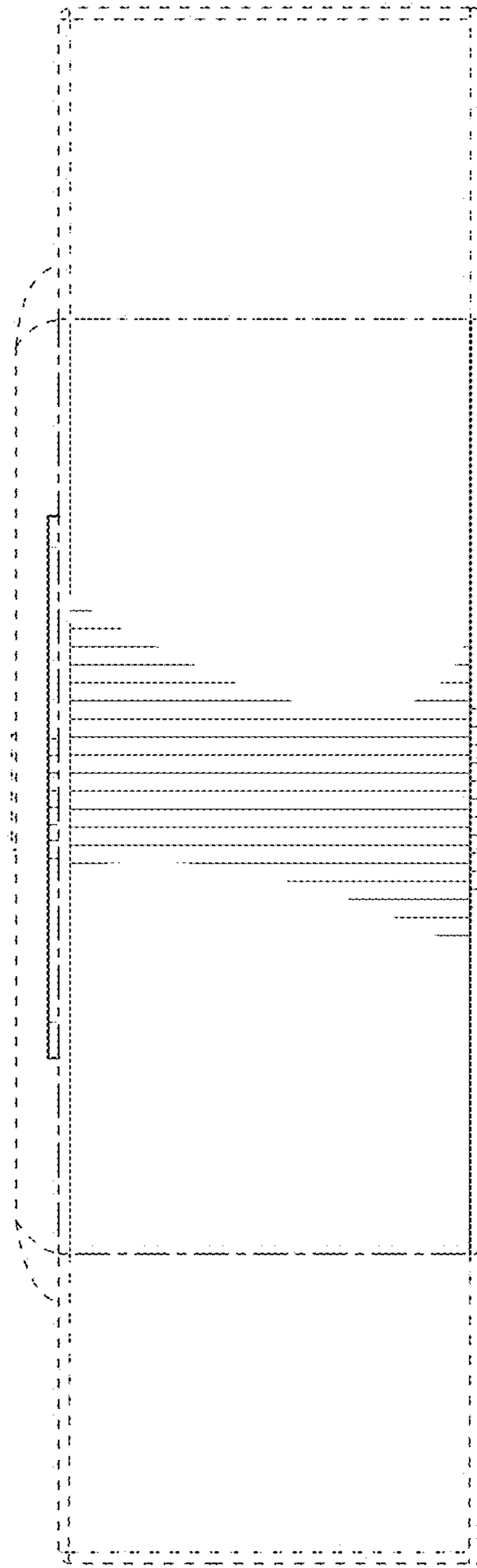


FIG. 36

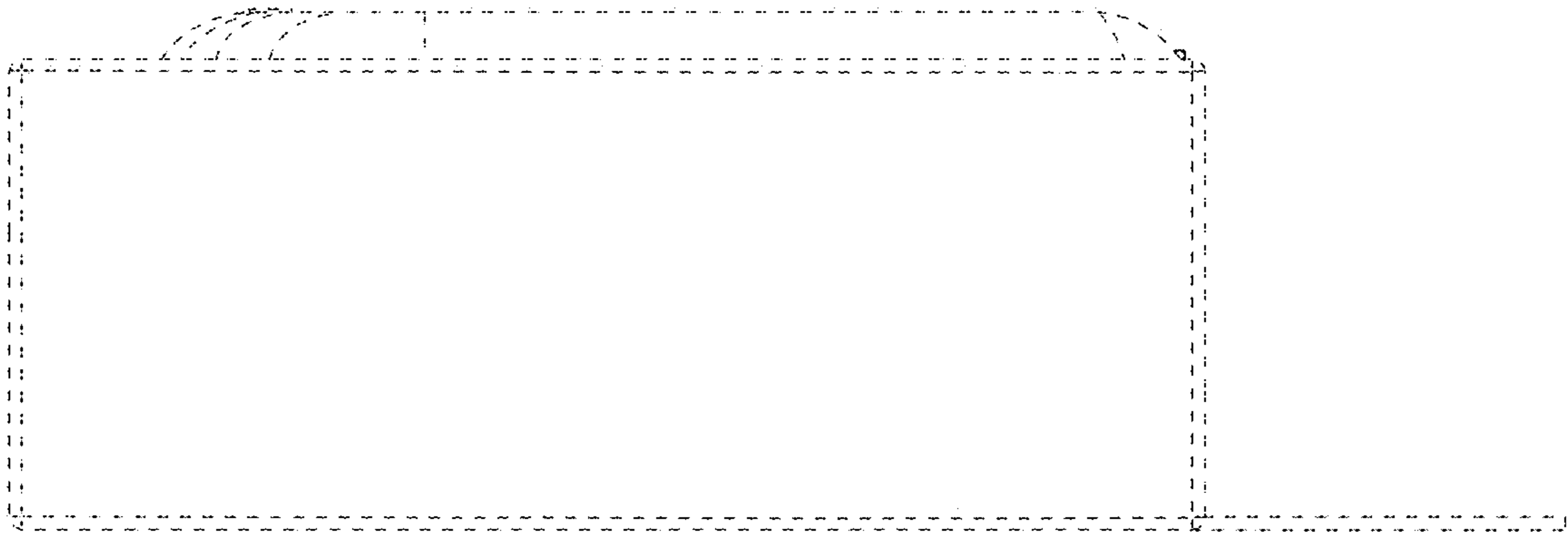


FIG. 37



FIG. 38

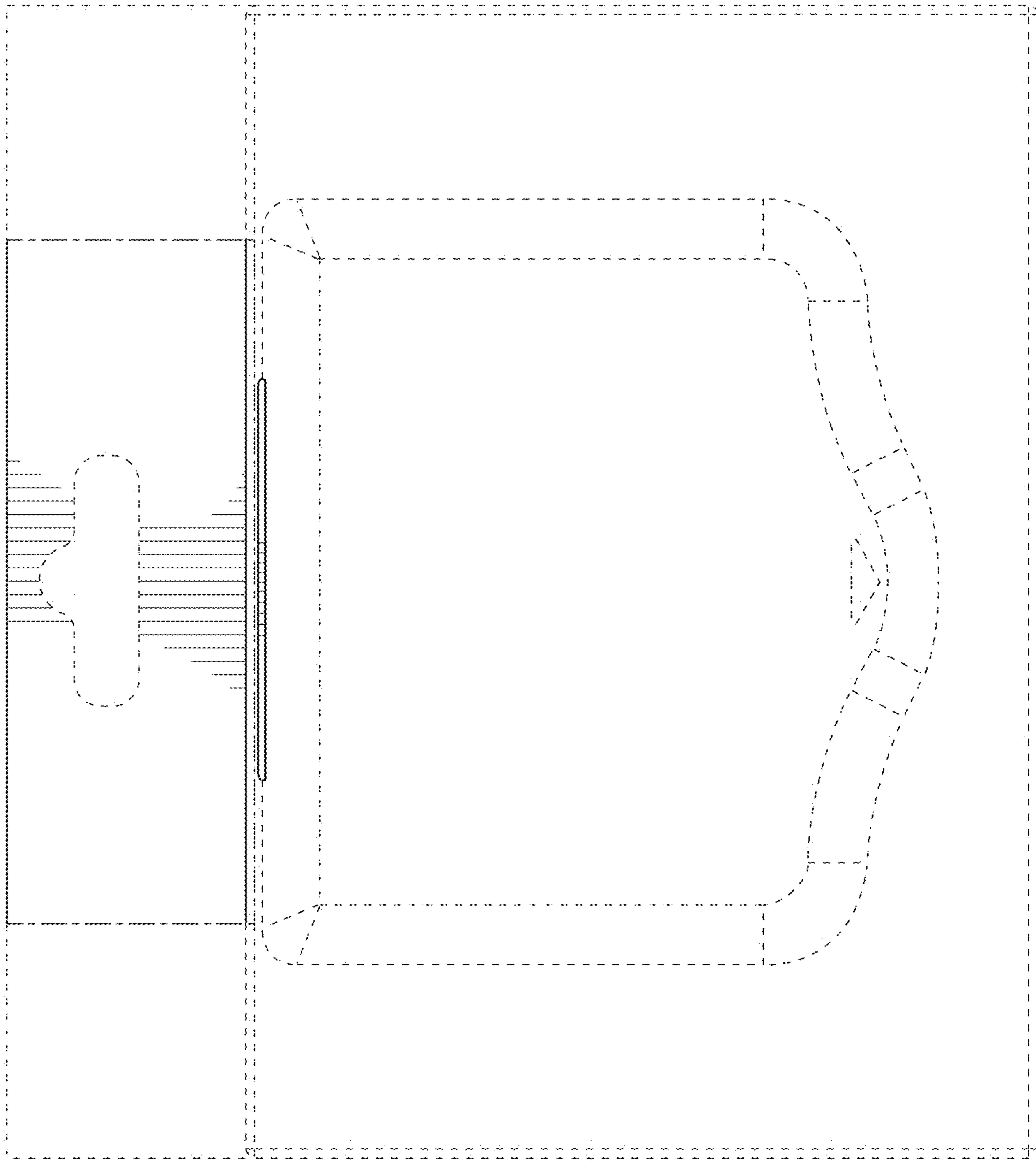


FIG. 39

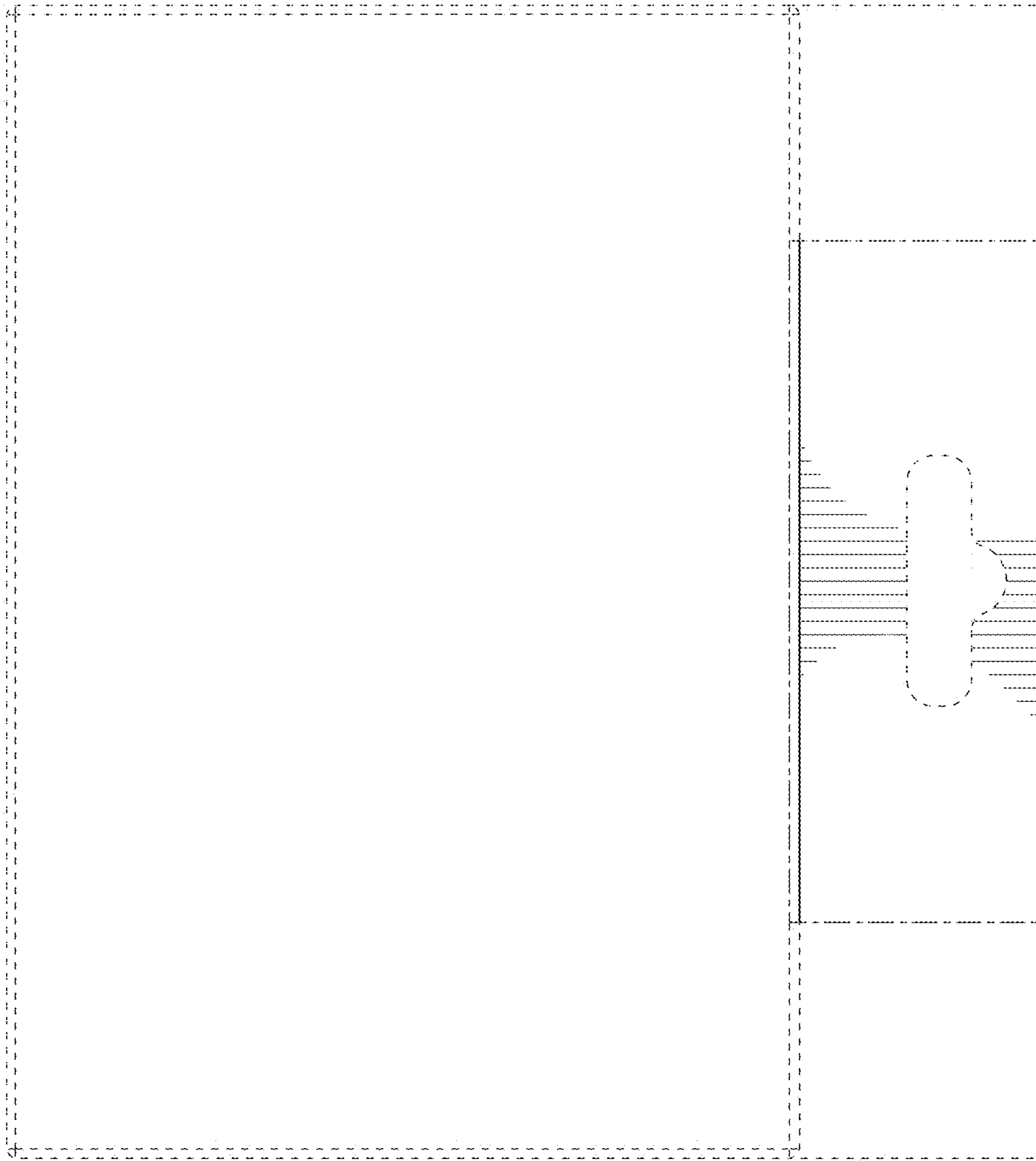


FIG. 40

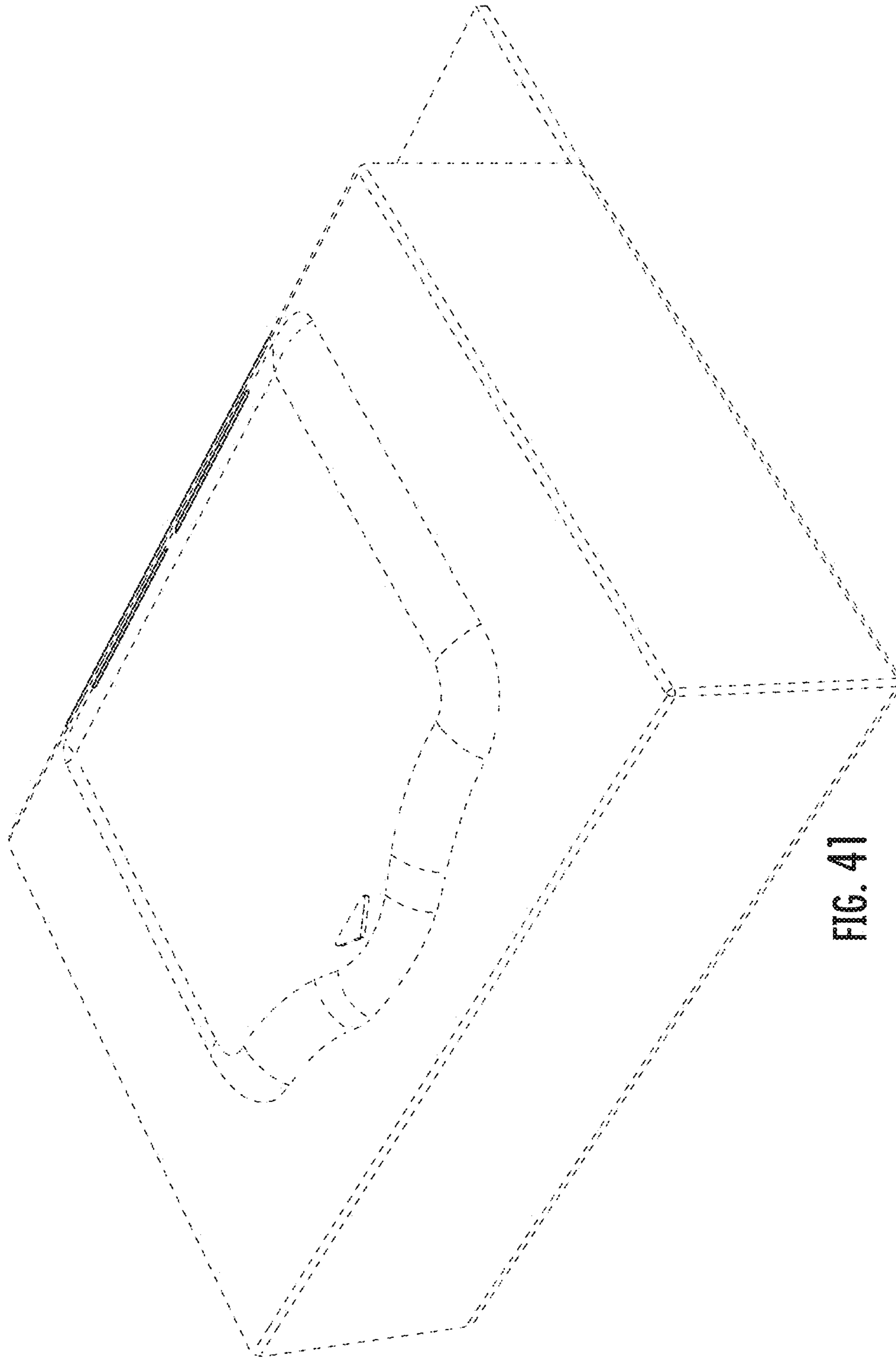


FIG. 41

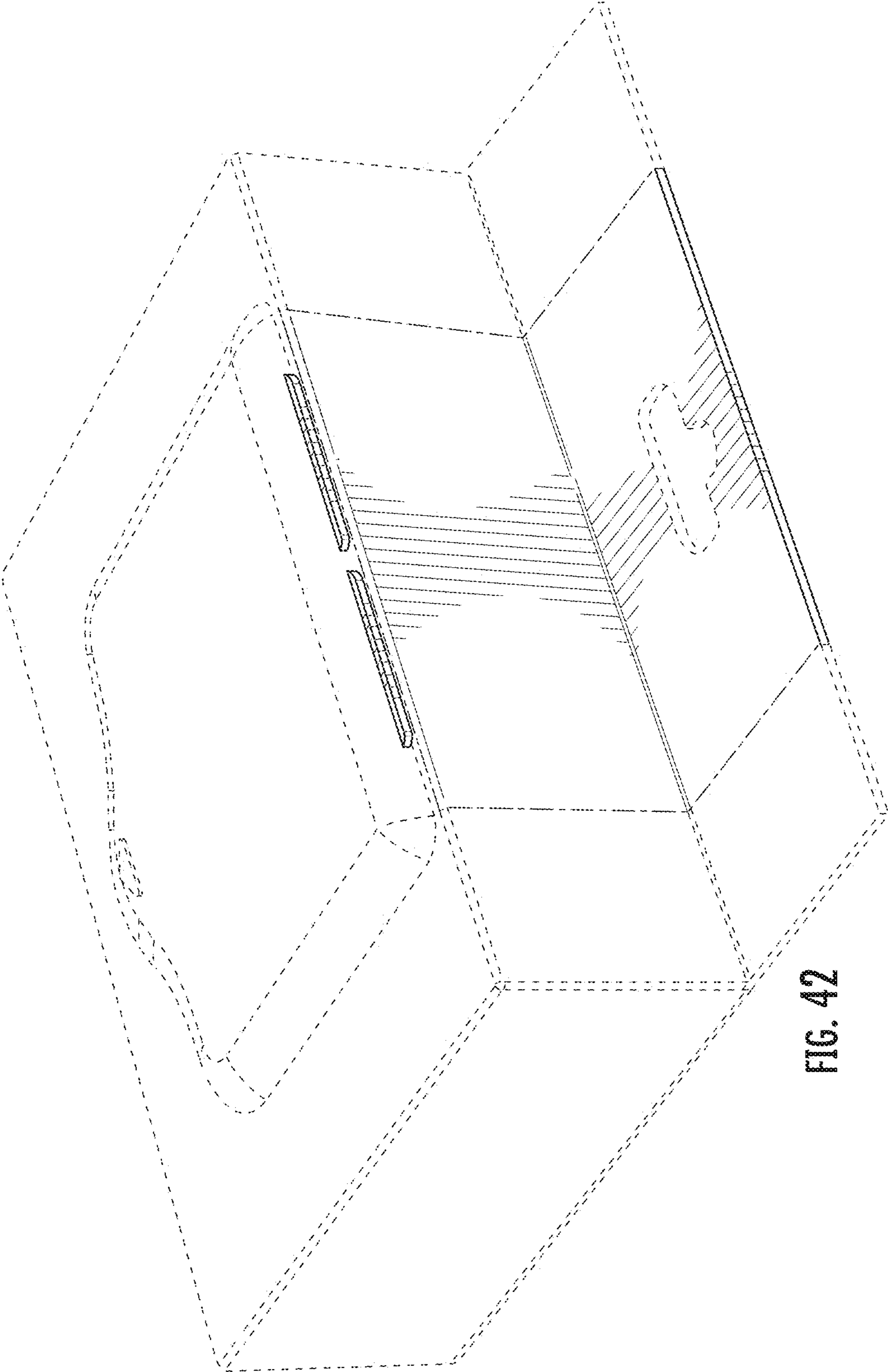


FIG. 42

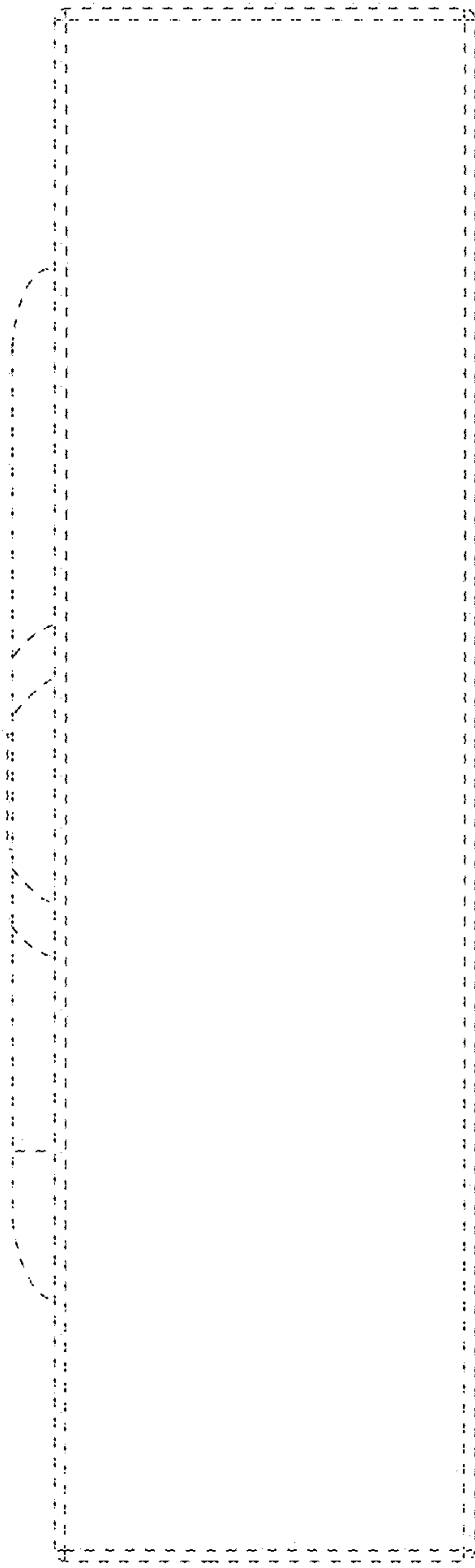


FIG. 43

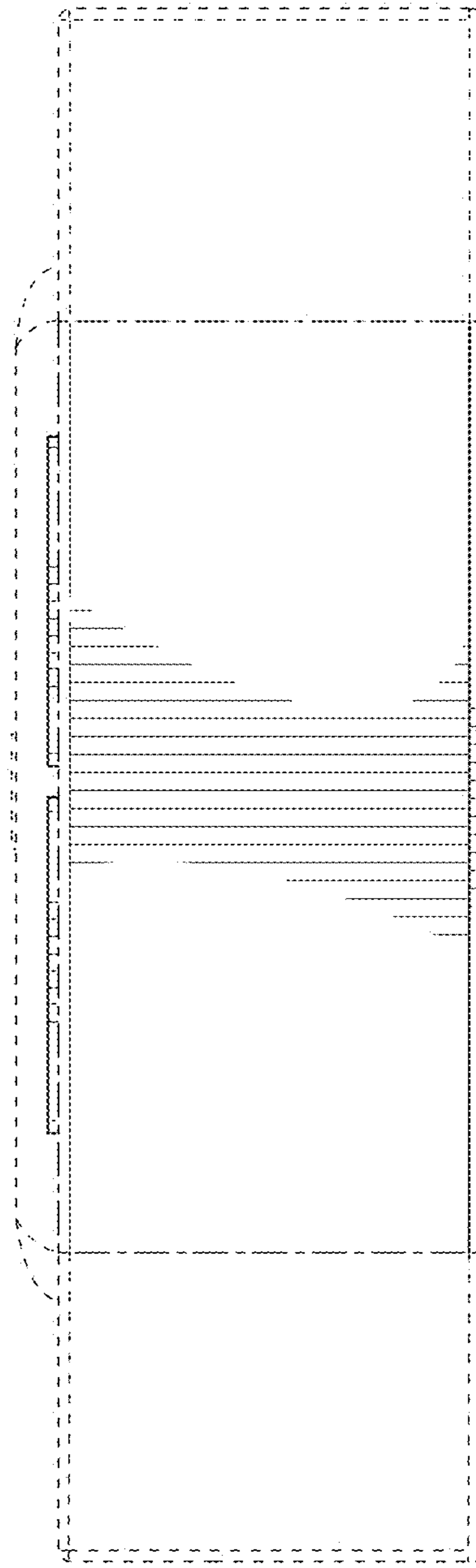


FIG. 44

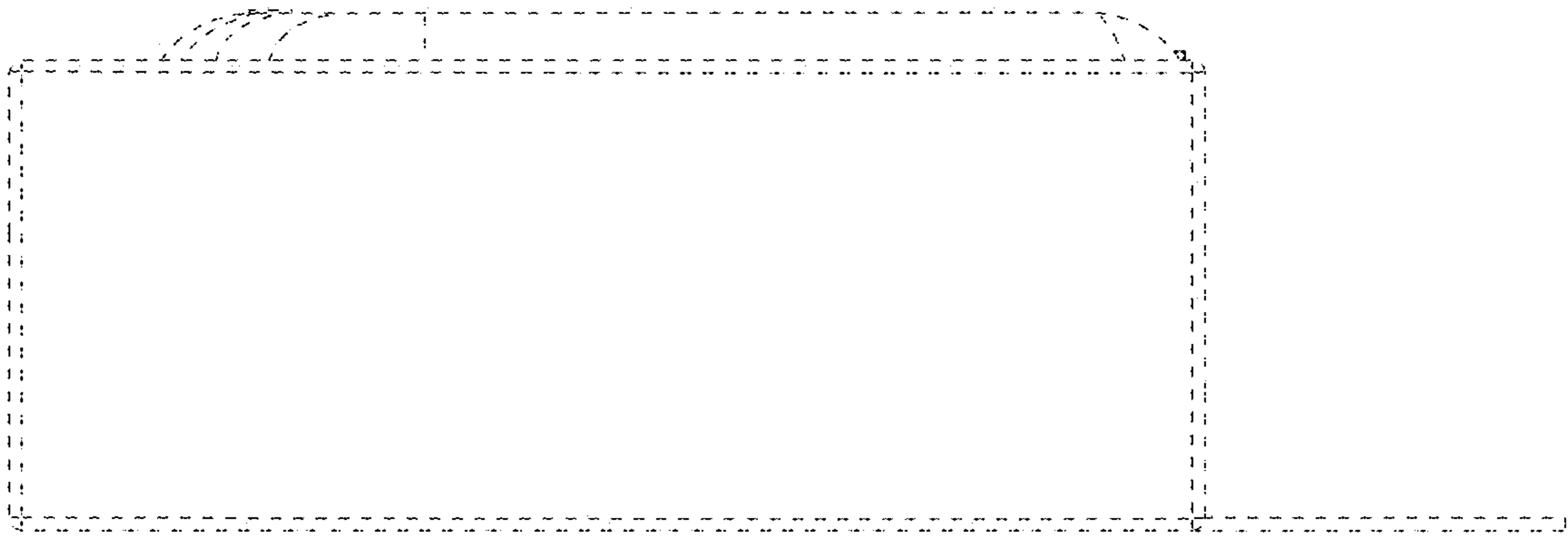


FIG. 45

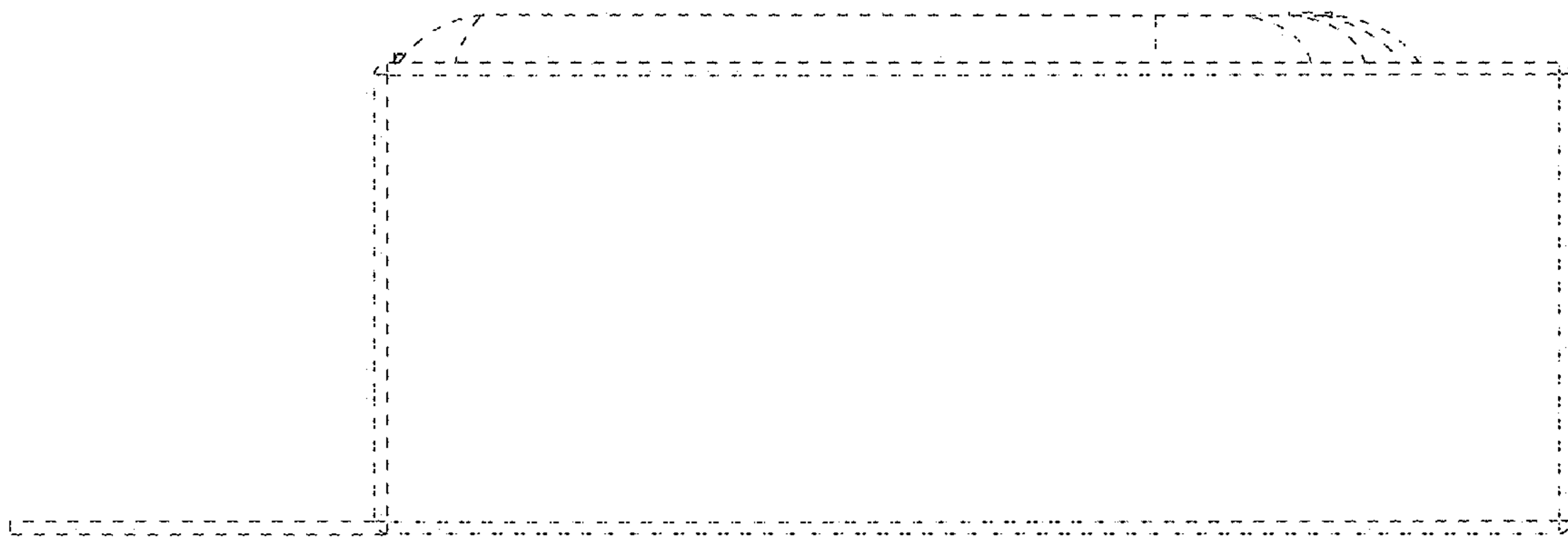


FIG. 46

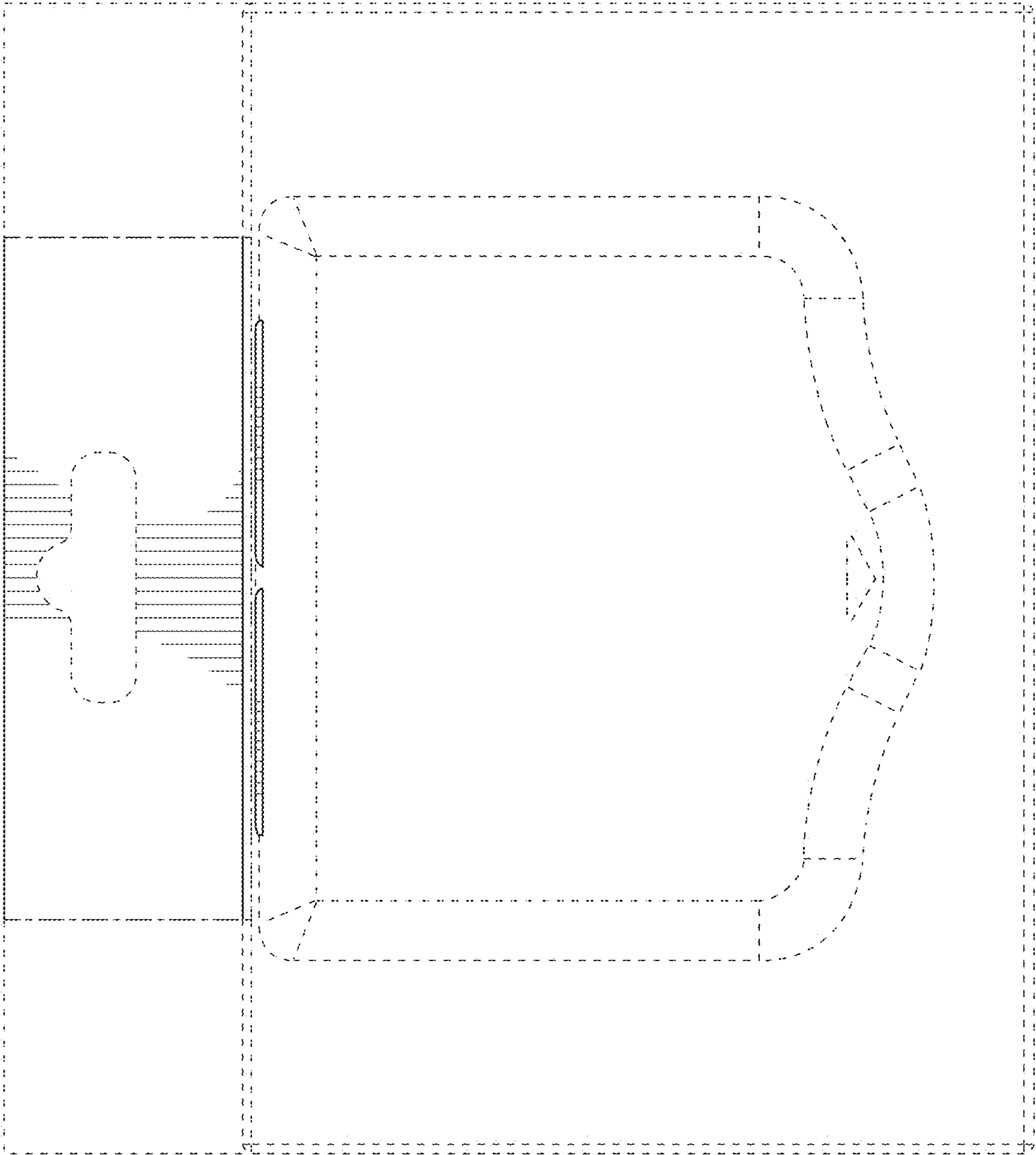


FIG. 47

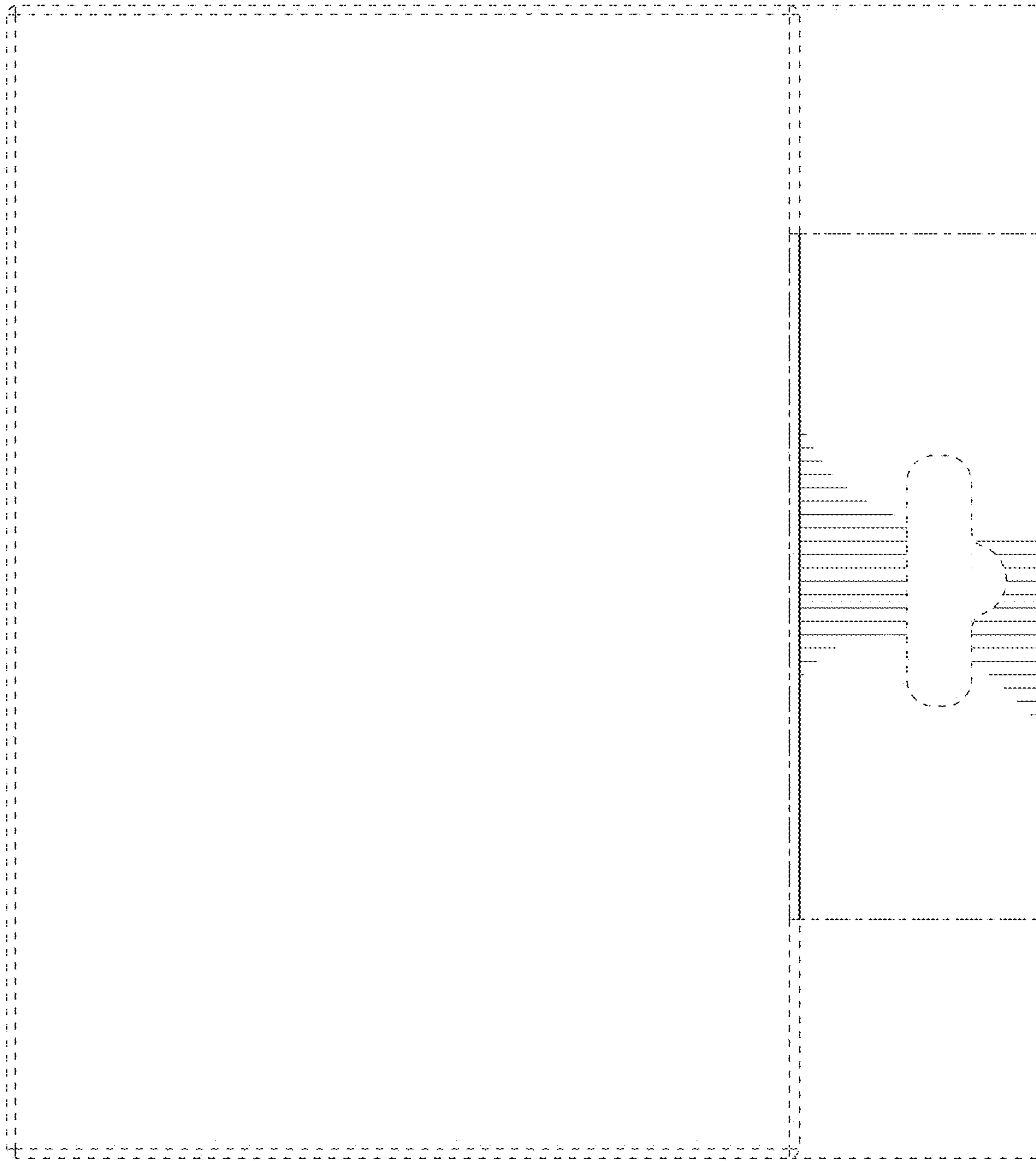


FIG. 48