



US00D975539S

(12) **United States Design Patent** (10) **Patent No.:** **US D975,539 S**
Huang (45) **Date of Patent:** **** Jan. 17, 2023**

(54) **FOLDING BOX**
(71) Applicant: **Huajing Huang**, Shishi (CN)
(72) Inventor: **Huajing Huang**, Shishi (CN)
(**) Term: **15 Years**
(21) Appl. No.: **29/796,105**
(22) Filed: **Jun. 22, 2021**

(51) **LOC (14) Cl.** **09-03**
(52) **U.S. Cl.**
USPC **D9/432; D9/433**
(58) **Field of Classification Search**
USPC D9/414-420, 421-434, 442, 445, 456,
D9/542, 563, 600, 614-624, 707, 708,
D9/711, 737, 754, 759; D3/273, 276,
D3/277, 280, 282, 283, 304, 309-313;
D7/601, 602, 624.2, 709
CPC B65D 5/00; B65D 5/001; B65D 5/0027;
B65D 5/0254; B65D 5/18; B65D 5/38;
B65D 5/40; B65D 5/2033; B65D
5/48024; B65D 5/6605; B65D 1/22;
B65D 1/24; B65D 1/34; B65B 5/06
See application file for complete search history.

(56) **References Cited**

U.S. PATENT DOCUMENTS

D244,833 S *	6/1977	Persson	D9/423
D244,994 S *	7/1977	Flanagan	D9/423
D286,339 S	10/1986	van Berne	
D292,888 S *	11/1987	Burns	D9/730
D365,023 S *	12/1995	Abrams	D9/423
D419,440 S *	1/2000	Hansen	D9/416
D512,304 S *	12/2005	Aldridge	D9/422
D521,377 S *	5/2006	Jones	D9/432
D583,660 S *	12/2008	Steiger	D9/432
D601,419 S *	10/2009	Sant' Ana Caceres	D9/433
D619,453 S *	7/2010	Petaccia	D9/418
D629,296 S *	12/2010	De Muynck	D9/423

D635,454 S *	4/2011	Witte	D9/416
D643,283 S *	8/2011	Witte	D9/416
D679,582 S *	4/2013	Witte	D9/416
D683,214 S	5/2013	McAdam	
D744,829 S *	12/2015	Deering	D9/432
D792,784 S *	7/2017	Wangtaveesab	D9/737
D889,993 S *	7/2020	Lofrisco	D9/721
D911,835 S *	3/2021	Cheng	D9/420
D928,609 S *	8/2021	Perella	D9/433
D947,023 S *	3/2022	Pressley	D9/432

(Continued)

OTHER PUBLICATIONS

Wilton Cake Box, 12"x12"x6", 1 Ct. Online, published date unknown.
Retrieved on Sep. 17, 2022 from URL: <https://www.walmart.com/ip/Wilton-Cake-Box-12-x-12-X-6-1-Ct/35880053>.*

(Continued)

Primary Examiner — Omeed Agilee
(74) *Attorney, Agent, or Firm* — Georgi Korobanov

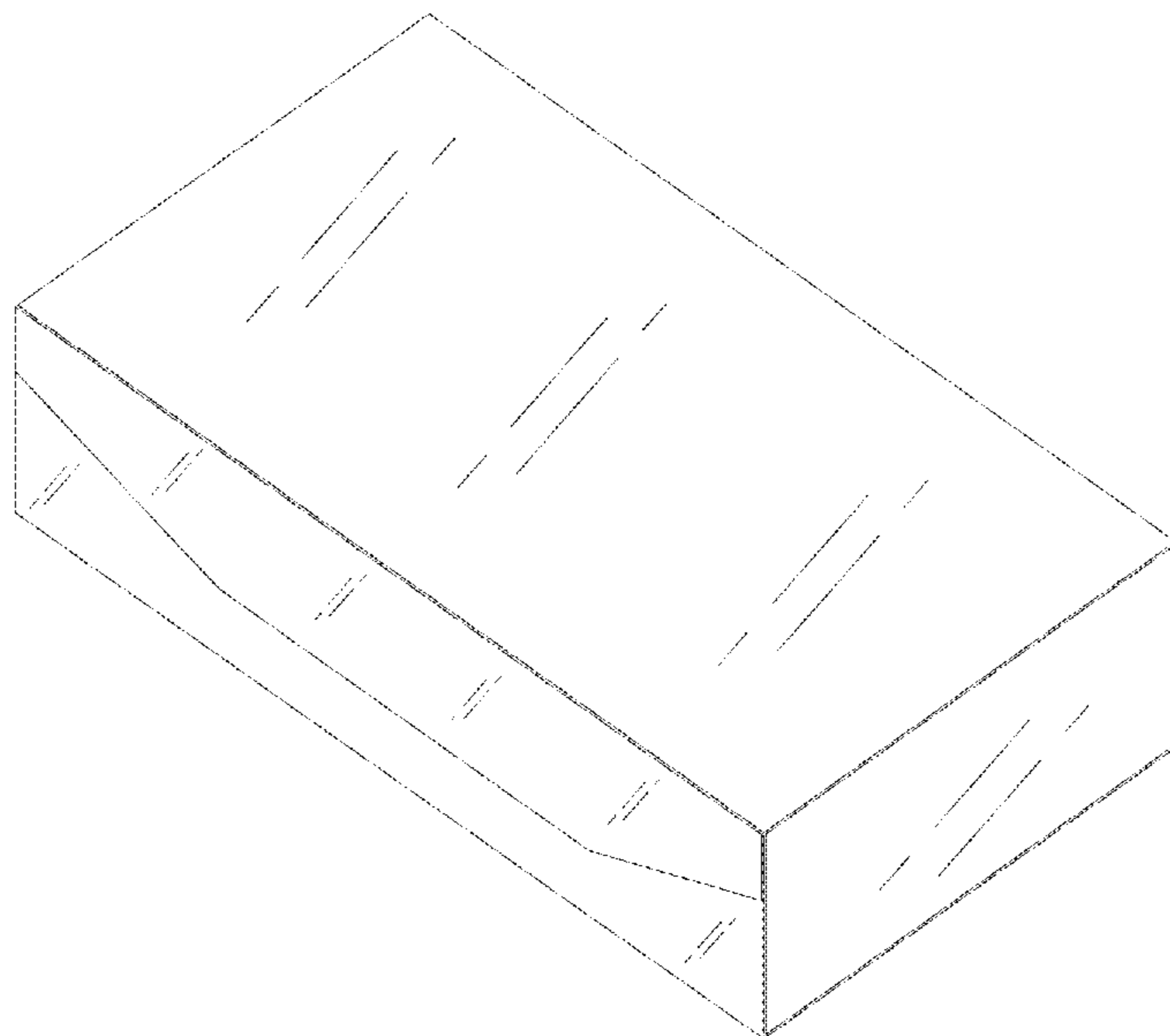
(57) **CLAIM**

The ornamental design for a folding box, as shown and described.

DESCRIPTION

FIG. 1 is a perspective view of a folding box showing my new design;
FIG. 2 is a front view thereof;
FIG. 3 is a rear view thereof;
FIG. 4 is a left side view thereof;
FIG. 5 is a right side view thereof;
FIG. 6 is a top plan view thereof;
FIG. 7 is a bottom plan view thereof;
FIG. 8 is a perspective view thereof in an open state; and,
FIG. 9 is a top view of the folding box in a flat configuration.
The broken lines in the drawings depict fold lines that form no part of the claimed design.

1 Claim, 9 Drawing Sheets



(56)

References Cited

U.S. PATENT DOCUMENTS

D950,373 S * 5/2022 Wang D9/420

OTHER PUBLICATIONS

Magnetic Closure Box W/Curved Flap. Online, published date unknown. Retrieved on Sep. 17, 2022 from URL: https://www.rpconline.com/Magnetic-Closure-Box-WCurved-Flap-_p_11839.html.*

* cited by examiner

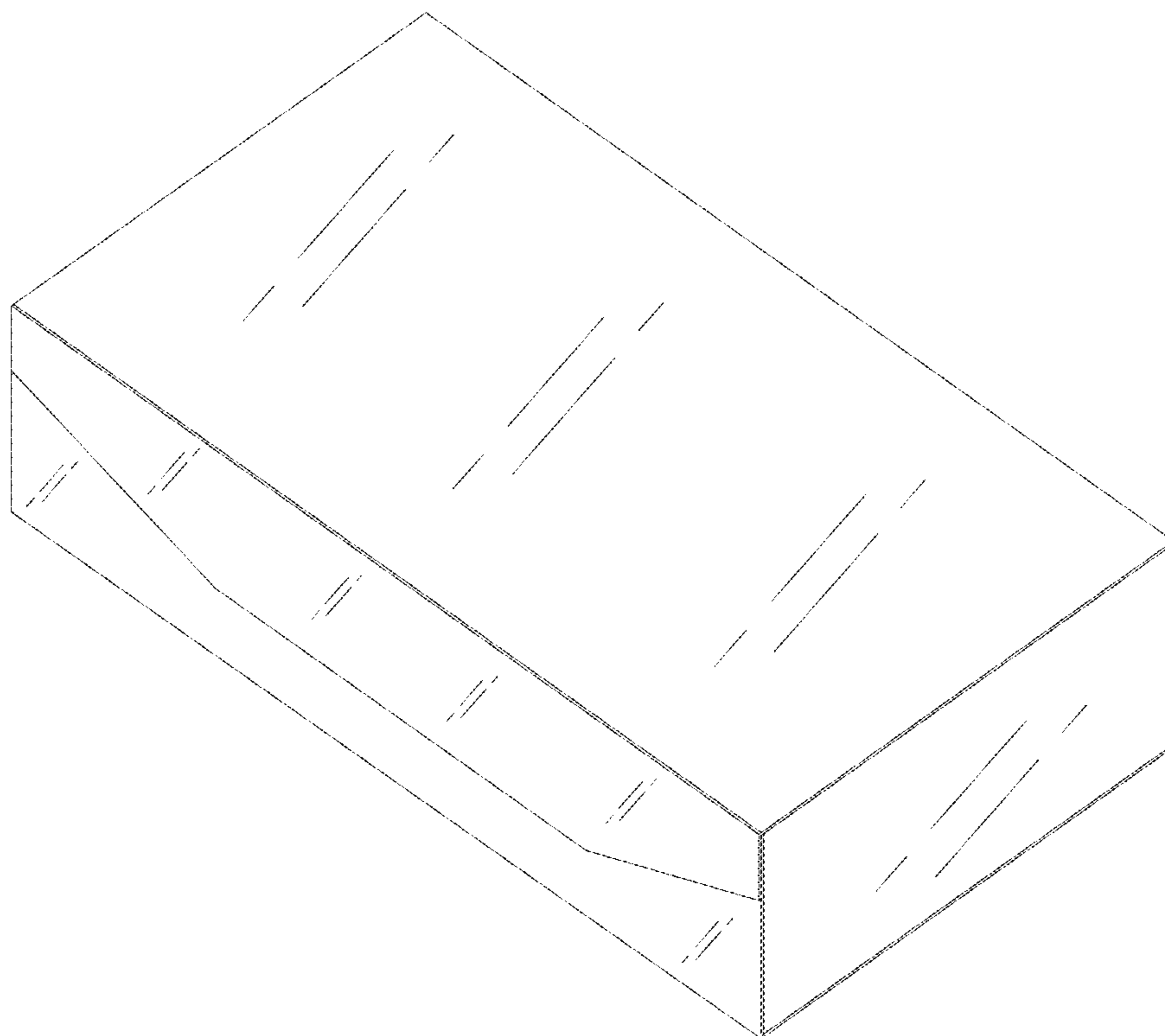


FIG. 1

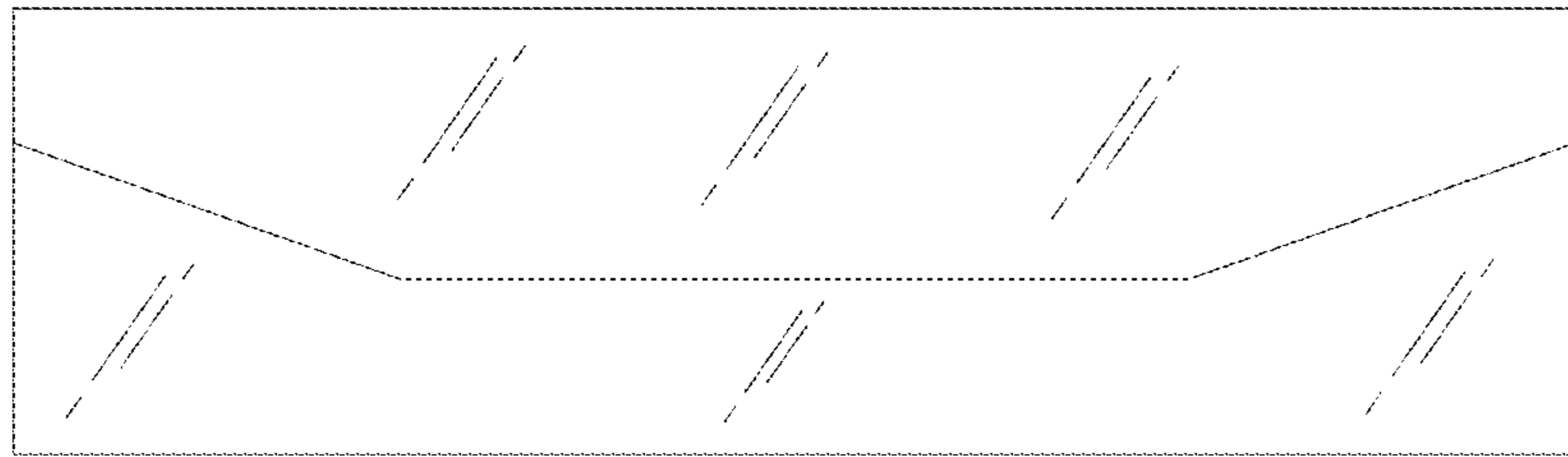


FIG. 2

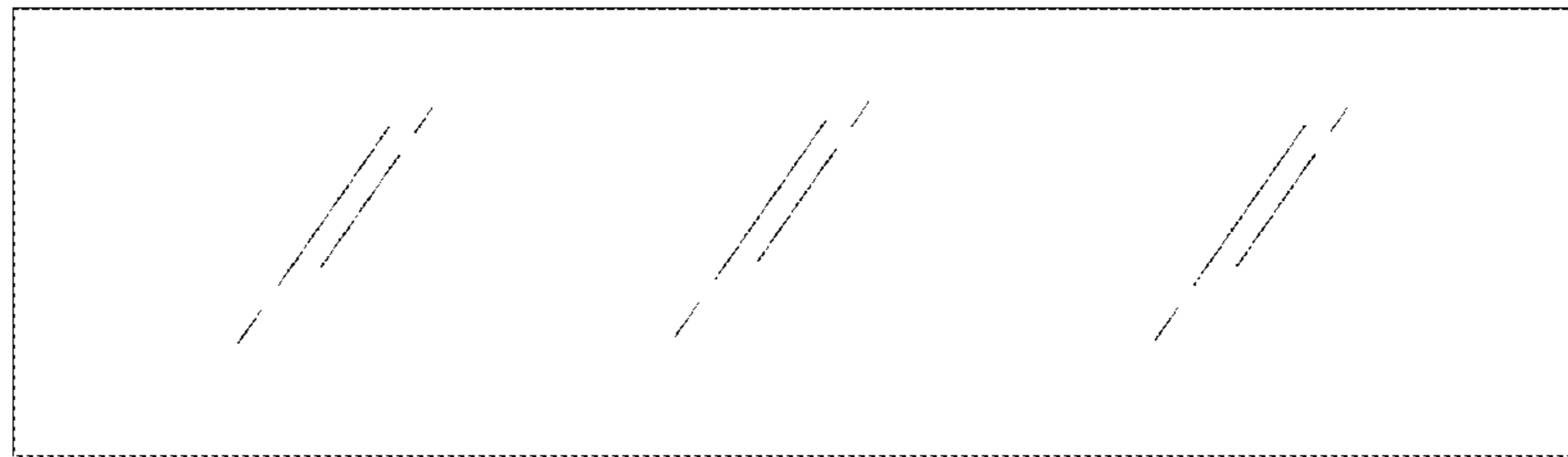


FIG. 3

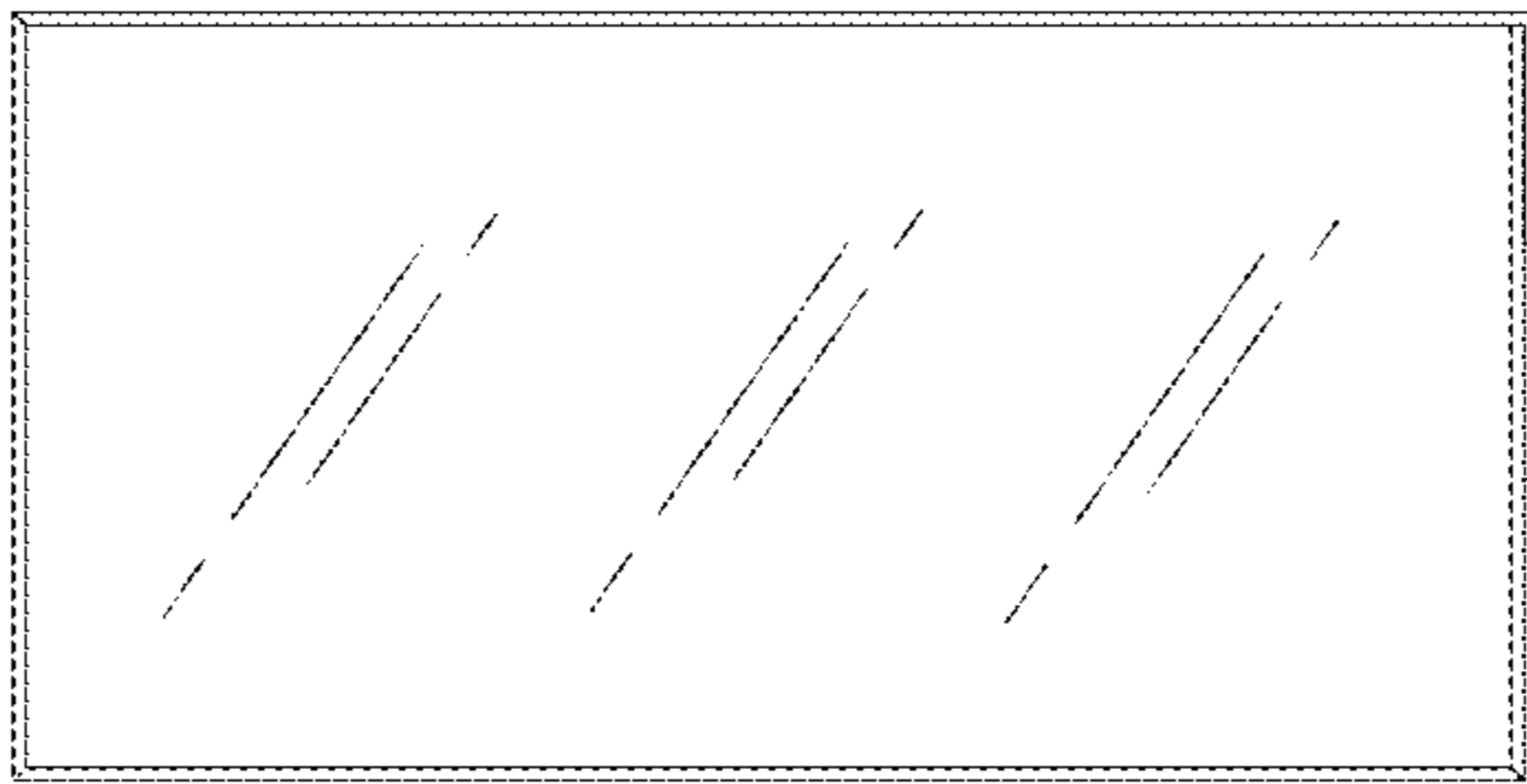


FIG. 4

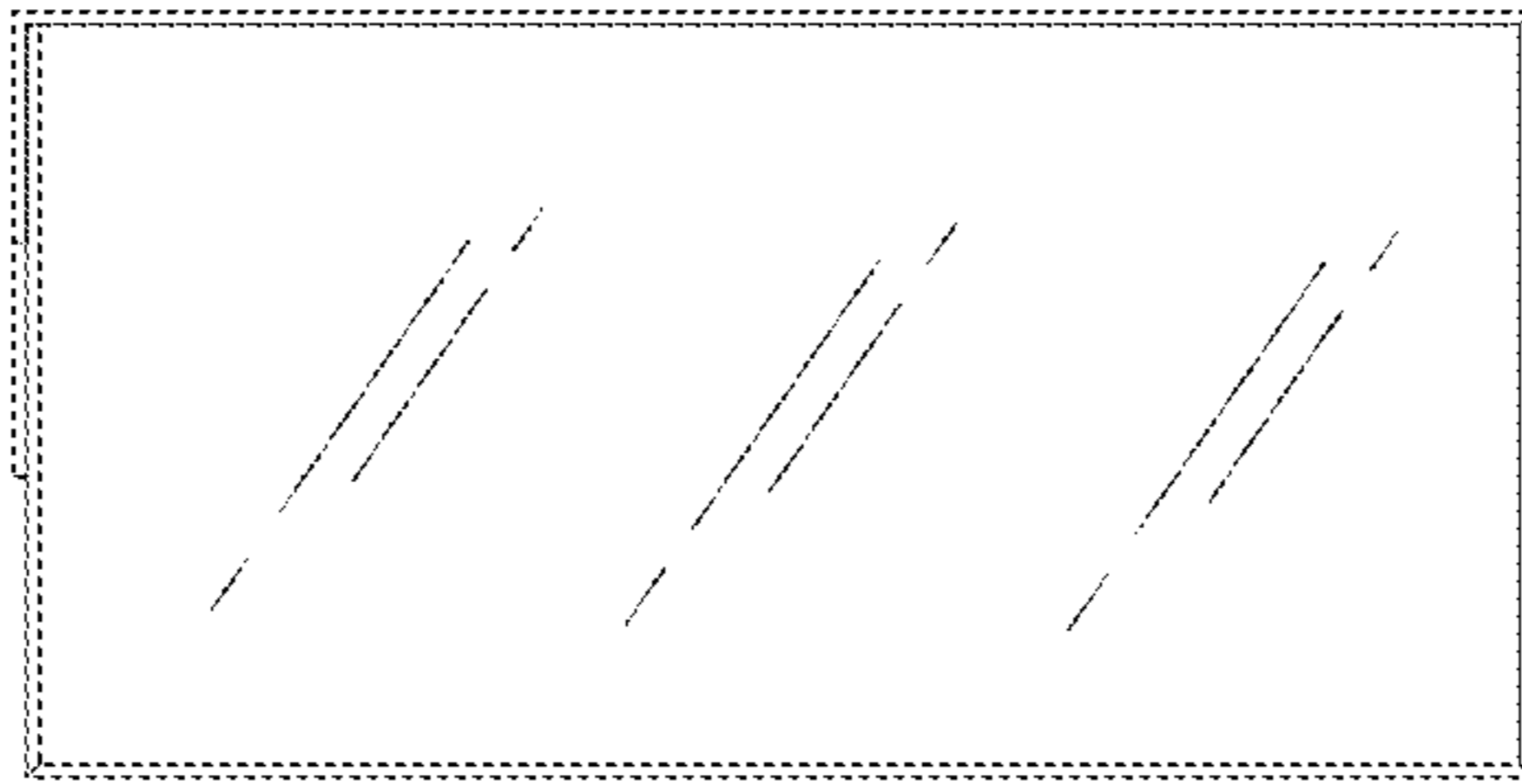


FIG. 5

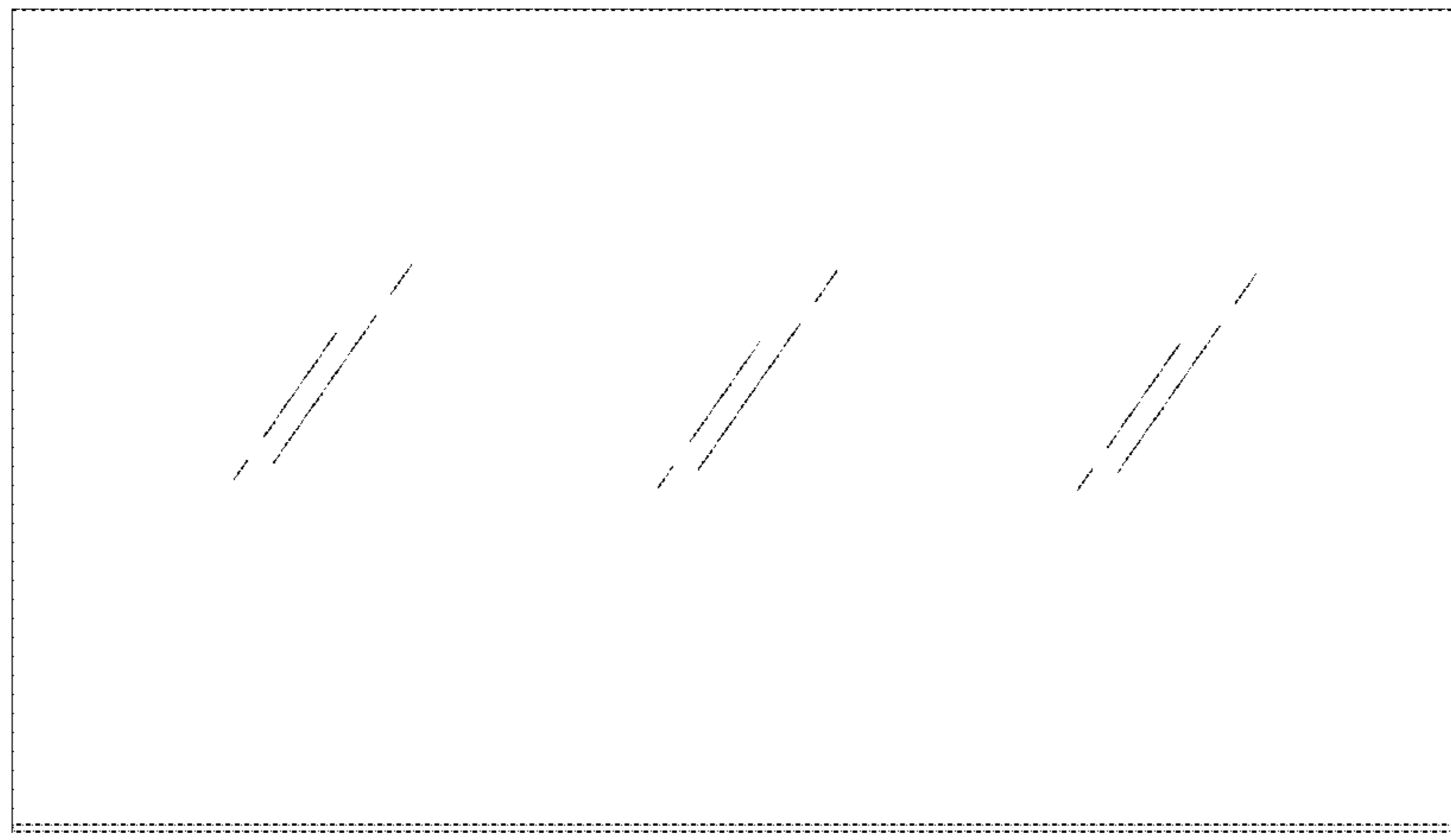


FIG. 6



FIG. 7

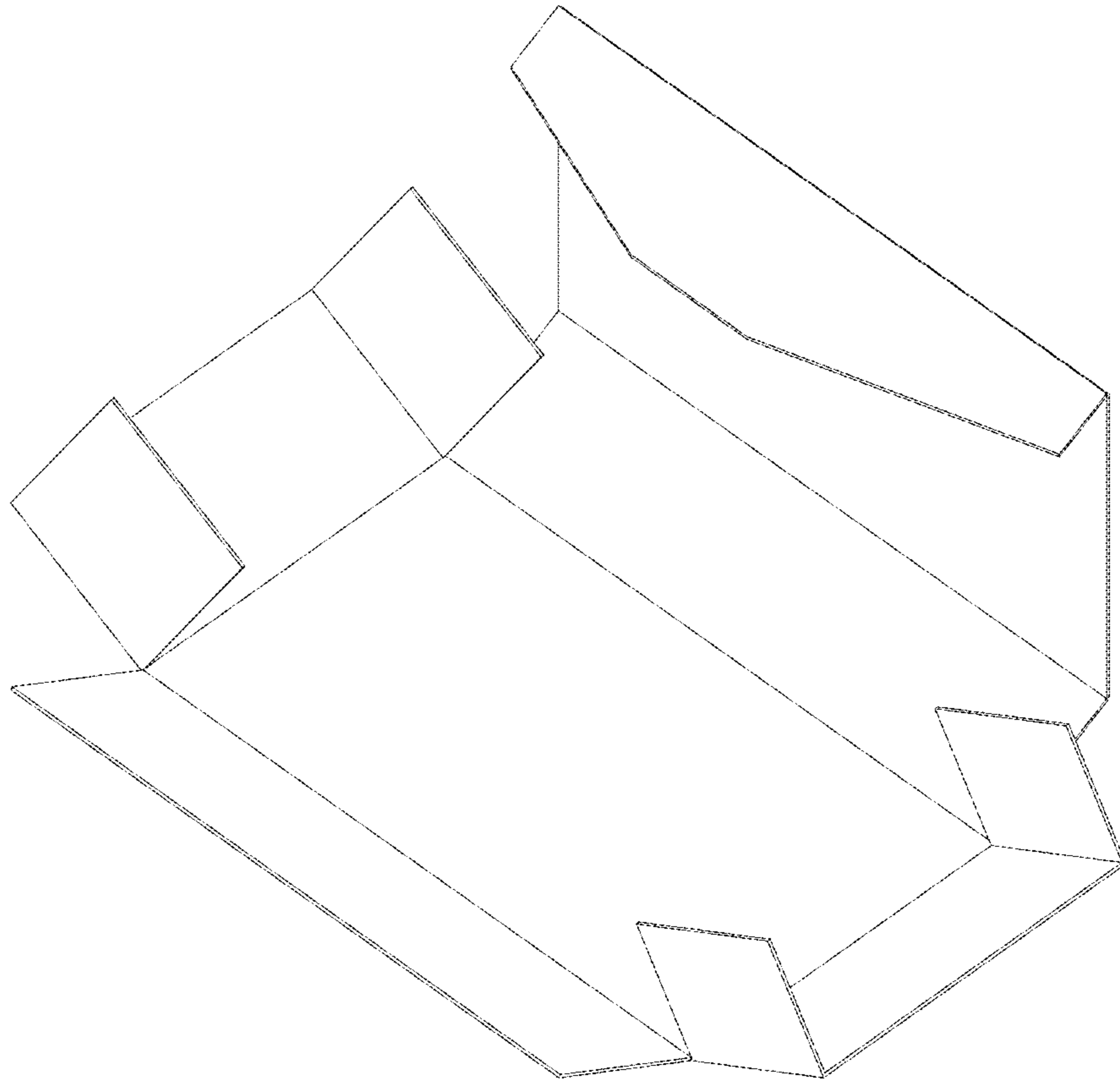


FIG. 8

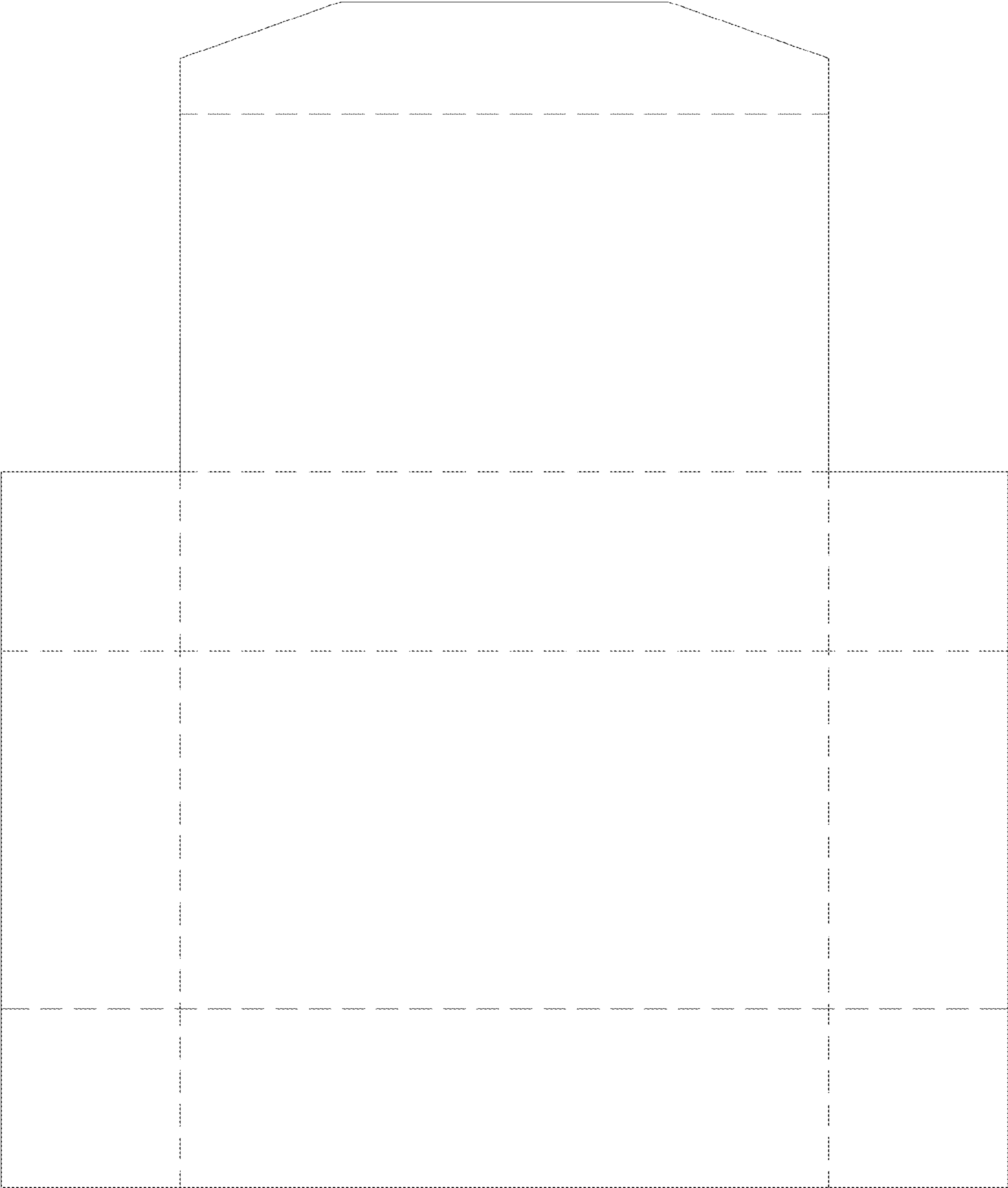


FIG. 9