



US00D975537S

(12) **United States Design Patent** (10) **Patent No.:** **US D975,537 S**
Budd et al. (45) **Date of Patent:** **** Jan. 17, 2023**

(54) **PACKAGING CONTAINER**

(71) Applicant: **Blue Buffalo Enterprises, Inc.**, Wilton, CT (US)

(72) Inventors: **Daniel Christopher Budd**, West Vancouver (CA); **Jacqueline Iversen**, Minneapolis, MN (US); **Trond Erik Tollefsen**, London (GB)

(73) Assignee: **Blue Buffalo Enterprises, Inc.**, Wilton, CT (US)

(**) Term: **15 Years**

(21) Appl. No.: **29/767,897**

(22) Filed: **Jan. 26, 2021**

(51) **LOC (14) Cl.** **09-03**

(52) **U.S. Cl.**
USPC **D9/425**

(58) **Field of Classification Search**

USPC D9/414, 424, 425, 426, 428, 432, 456, D9/503, 504, 703, 716, 719, 737, 738, D9/739, 740, 744, 745, 756, 759, 760, D9/761; D7/538, 540, 541, 542, 550.1, D7/553.1, 553.3, 553.6, 554.2, 555, 556, D7/557, 560, 561, 562, 602, 629, 701, D7/703, 708; D3/203.3, 273, 283, 294, D3/295, 310, 313; D24/226, 227, 229; D30/130
CPC ... B65D 1/30; B65D 1/36; B65D 1/40; B65D 1/46; B65D 21/0201; B65D 21/0233; B65D 21/06; B65D 25/04; B65D 25/08; B65D 2543/00027; B65D 2543/00296; B65D 2543/00694; B65D 2543/00805; B65D 77/2024

See application file for complete search history.

(56) **References Cited**

U.S. PATENT DOCUMENTS

D257,108 S * 9/1980 Daenen D7/587
4,301,926 A 11/1981 Chung
4,691,820 A 9/1987 Martinez

(Continued)

FOREIGN PATENT DOCUMENTS

CA 113507 * 3/2007
GB 6139376 * 5/2021
JP D1631542 * 4/2019

OTHER PUBLICATIONS

Yo Jane Disposable Two-Compartment Container, posted at Amazon.com on Jan. 27, 2019, [site visited Jul. 13, 2022]. Available from internet, URL: <https://www.amazon.com/Disposable-Two-Compartment-Dressing-Condiment-Containers/dp/B07N5MM9FX/> (Year: 2019).*

Primary Examiner — Andrew Kerr

Assistant Examiner — Chariton Alexakis

(74) *Attorney, Agent, or Firm* — Diederiks & Whitelaw, PLC; Annette M. Frawley, Esq.

(57) **CLAIM**

The ornamental design for a packaging container, as shown and described.

DESCRIPTION

FIG. 1 is a top view of a packaging container according to our new design;

FIG. 2 is a bottom view of the packaging container;

FIG. 3 is a front view of the packaging container;

FIG. 4 is a rear view of the packaging container;

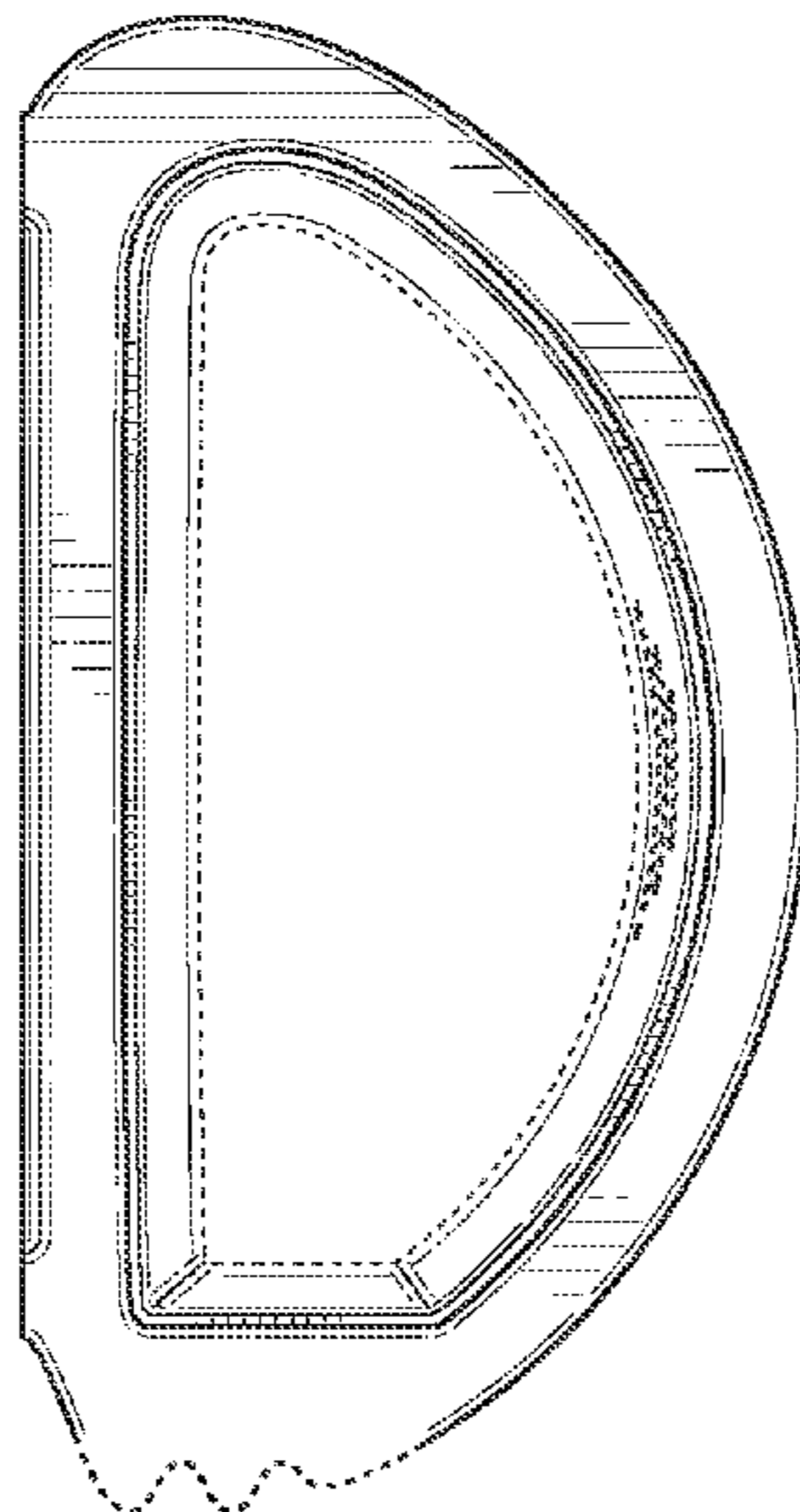
FIG. 5 is a right side view of the packaging container;

FIG. 6 is a left side view of the packaging container; and,

FIG. 7 is an upper perspective view of the packaging container, shown in a condition of use.

The broken lines in FIGS. 1-7 depict portions of the packaging container that form no part of the claimed design. The broken lines in FIG. 7, illustrating a mirrored image of the packaging container, represent environmental structure that form no part of the claimed design.

1 Claim, 5 Drawing Sheets



(56)

References Cited

U.S. PATENT DOCUMENTS

D297,115 S * 8/1988 Fontana D9/737
 D297,117 S * 8/1988 Fontana D9/737
 D328,565 S 8/1992 Lawless et al.
 D334,536 S 4/1993 Long et al.
 5,529,224 A 6/1996 Chan et al.
 D424,426 S * 5/2000 Fletcher D9/737
 D456,707 S * 5/2002 Agarwal D9/717
 D459,144 S * 6/2002 Brady D7/354
 D466,407 S * 12/2002 Nance D9/428
 D505,335 S * 5/2005 Grenda D9/737
 D529,820 S * 10/2006 Kissner D9/737
 D539,146 S 3/2007 Schroeder
 D569,193 S * 5/2008 El Ghouyel D7/602
 D579,768 S 11/2008 Kirk et al.
 D595,154 S * 6/2009 Nicholson D9/425
 D620,809 S 8/2010 Caldwell et al.
 D623,072 S 9/2010 Caldwell et al.
 D623,073 S 9/2010 Caldwell et al.
 D623,074 S 9/2010 Caldwell et al.
 D632,564 S 2/2011 Caldwell et al.
 D632,565 S 2/2011 Caldwell et al.
 D632,566 S 2/2011 Caldwell et al.
 D632,567 S 2/2011 Caldwell et al.
 D632,568 S 2/2011 Caldwell et al.

D632,569 S 2/2011 Caldwell et al.
 D634,643 S 3/2011 Caldwell et al.
 D641,642 S 7/2011 Caldwell et al.
 D645,764 S * 9/2011 Mathis D9/429
 D660,718 S 5/2012 McDermott et al.
 D660,719 S 5/2012 McDermott et al.
 D663,631 S 7/2012 McDermott et al.
 D669,367 S 10/2012 McDermott et al.
 D669,368 S * 10/2012 Ehrmann D9/761
 D670,573 S 11/2012 McDermott et al.
 D676,334 S 2/2013 McDermott et al.
 D682,710 S 5/2013 McDermott et al.
 D723,365 S 3/2015 Mitchell et al.
 D781,157 S 3/2017 Sowden
 D804,323 S 12/2017 Harrison et al.
 D809,711 S * 2/2018 Albano D28/9
 D887,217 S * 6/2020 Dubbelman D7/553.6
 D923,468 S * 6/2021 McCumber B65B 69/0058
 2005/0161471 A1 * 7/2005 Grenda B65D 1/36
 D9/425
 2007/0164045 A1 7/2007 Wydler et al.
 2016/0023820 A1 1/2016 Minnette et al.
 2018/0201430 A1 7/2018 Nomuro et al.
 2019/0274809 A1 9/2019 Kapec et al.
 2022/0202046 A1 * 6/2022 Budd B65B 69/0058

* cited by examiner

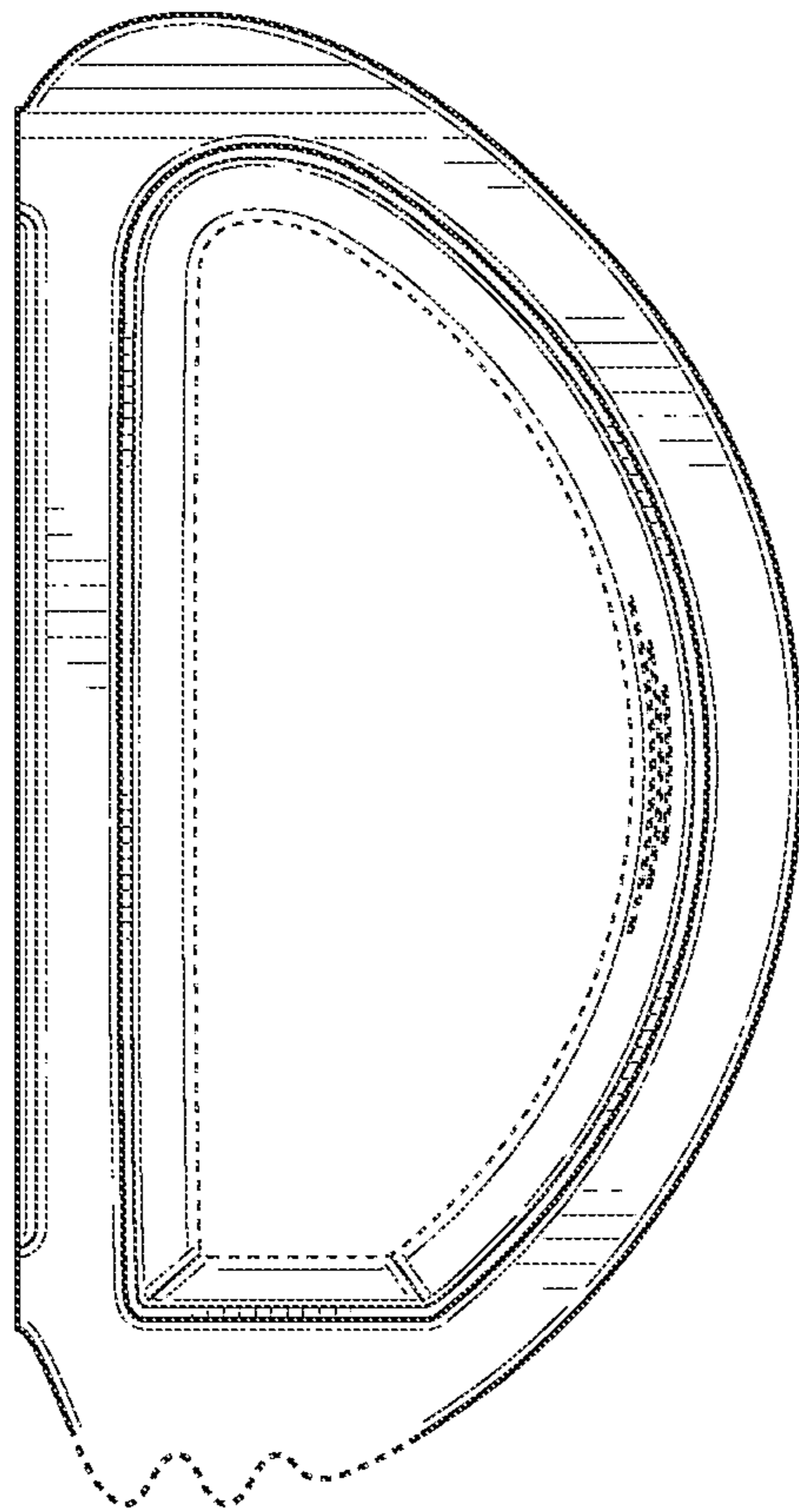


FIG. 1

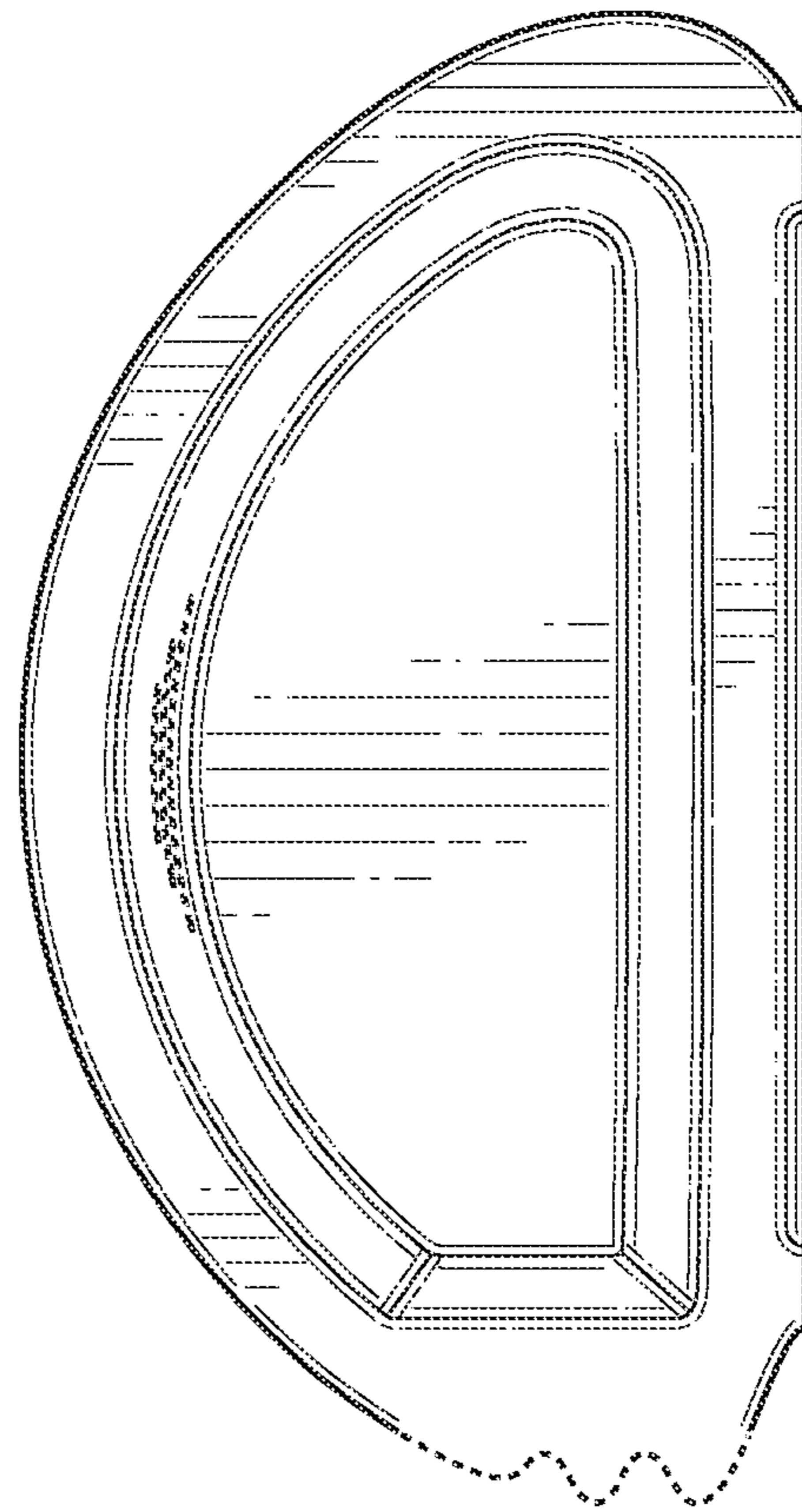


FIG. 2

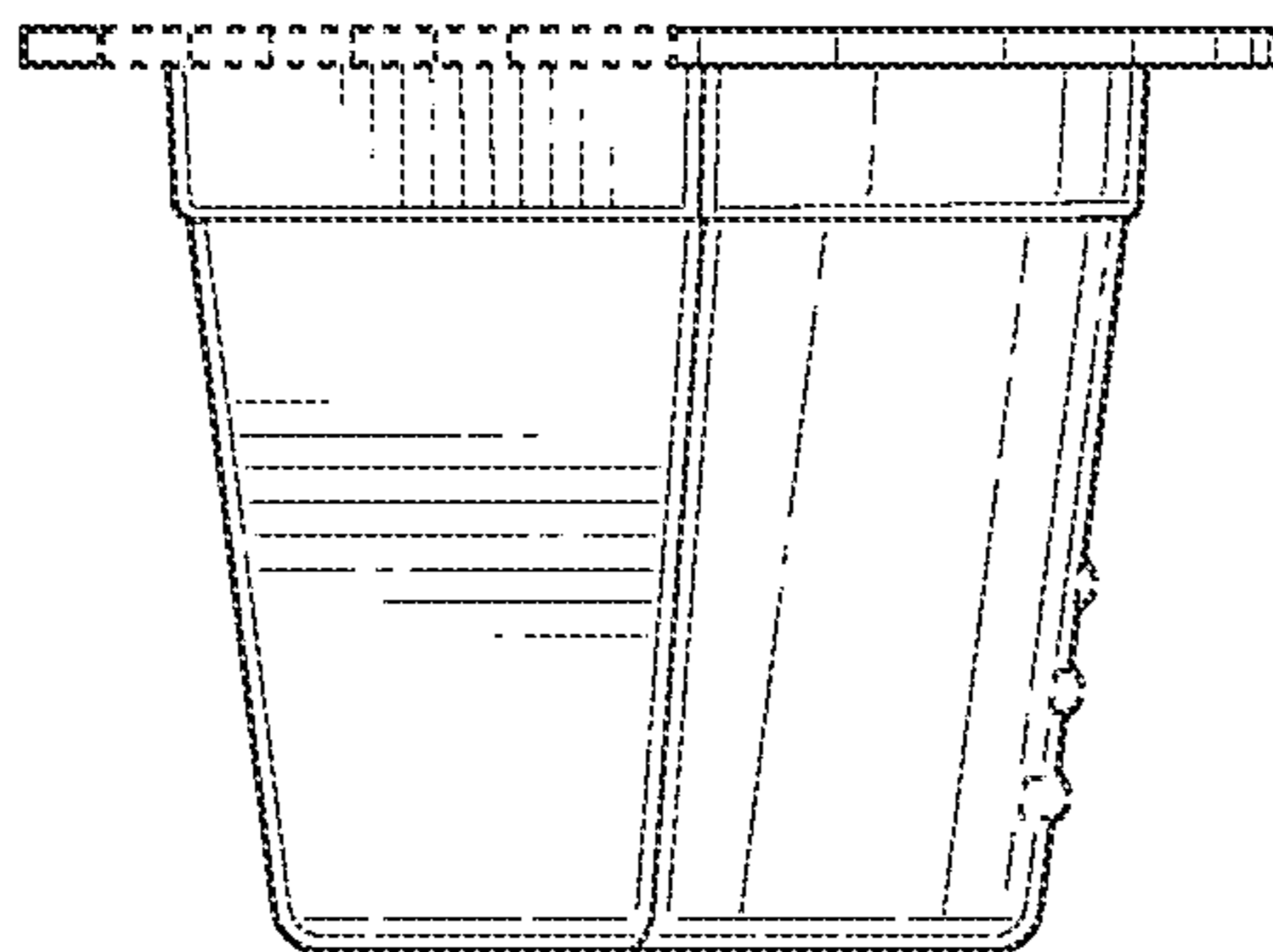


FIG. 3

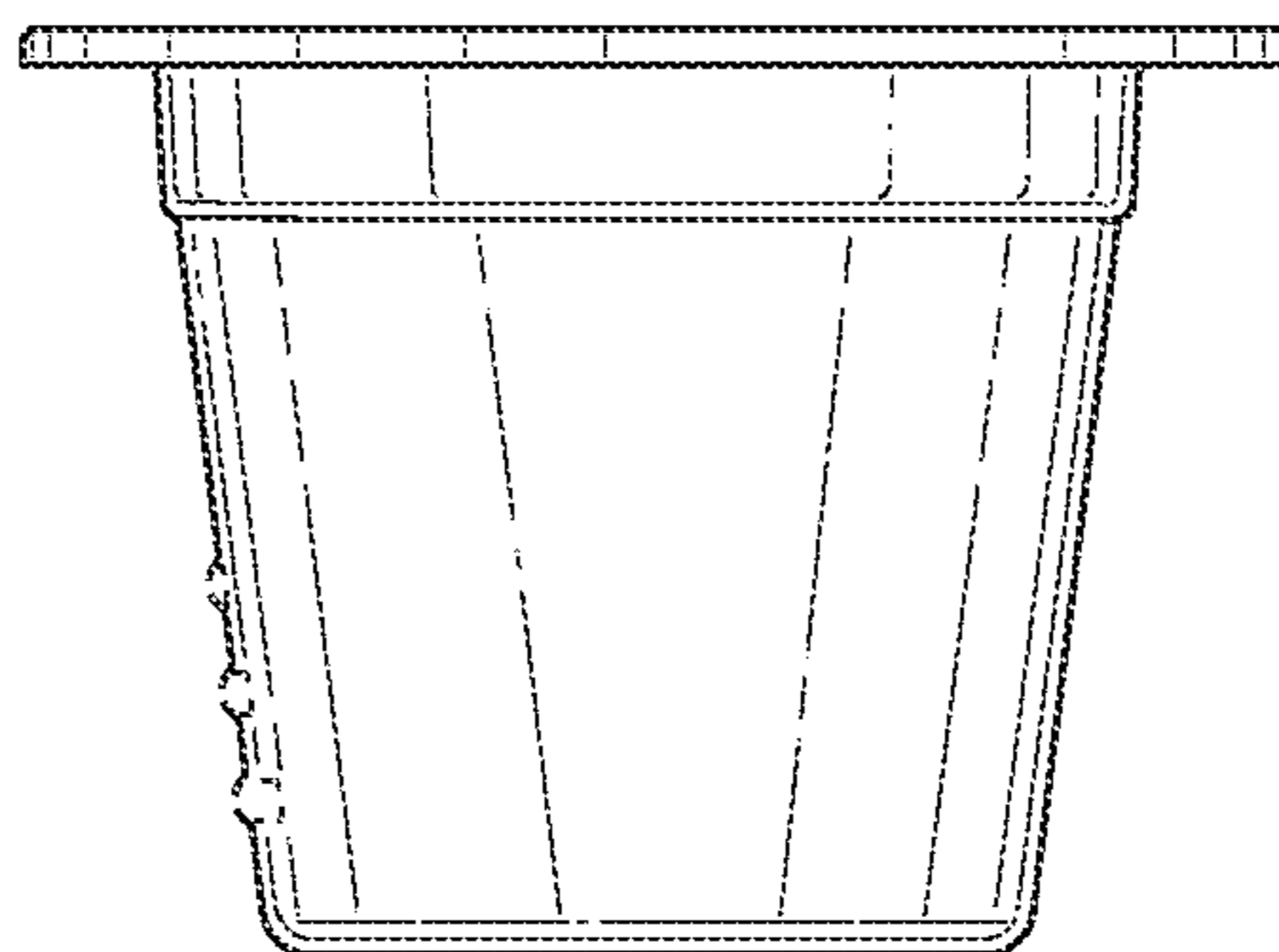


FIG. 4

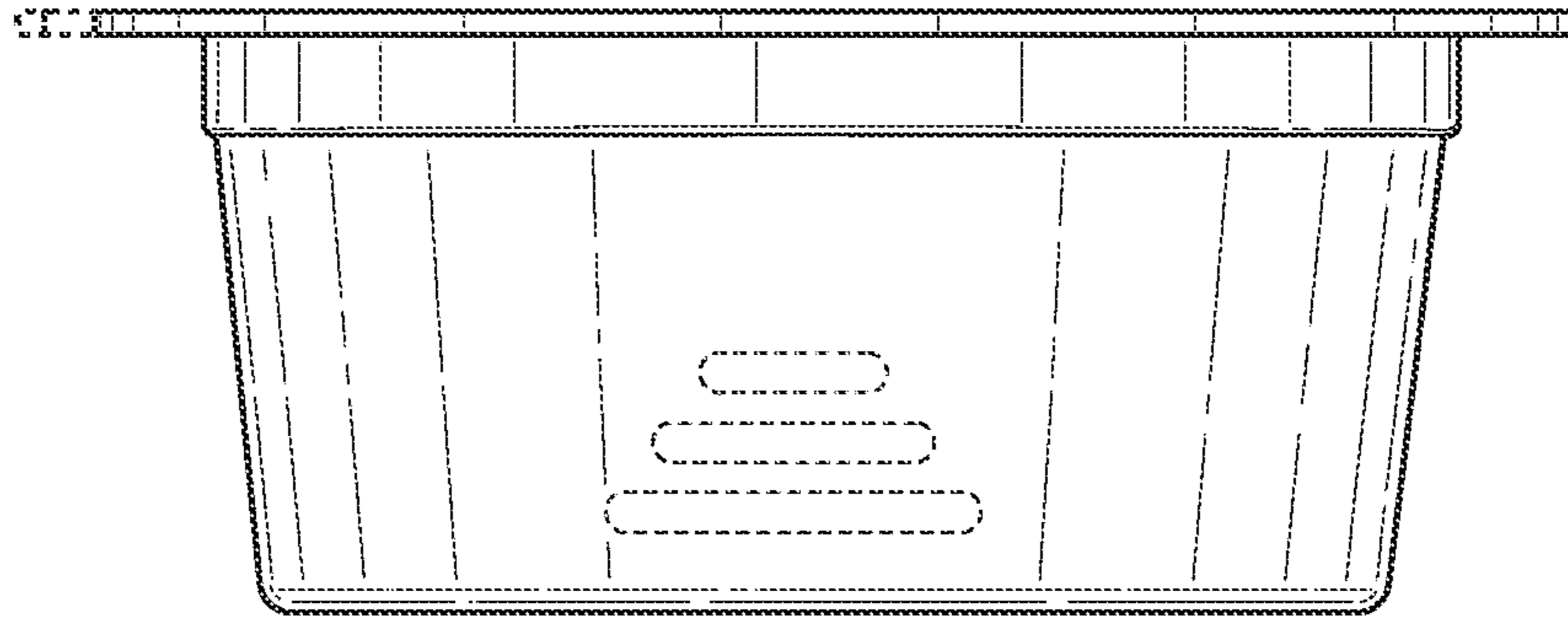


FIG. 5

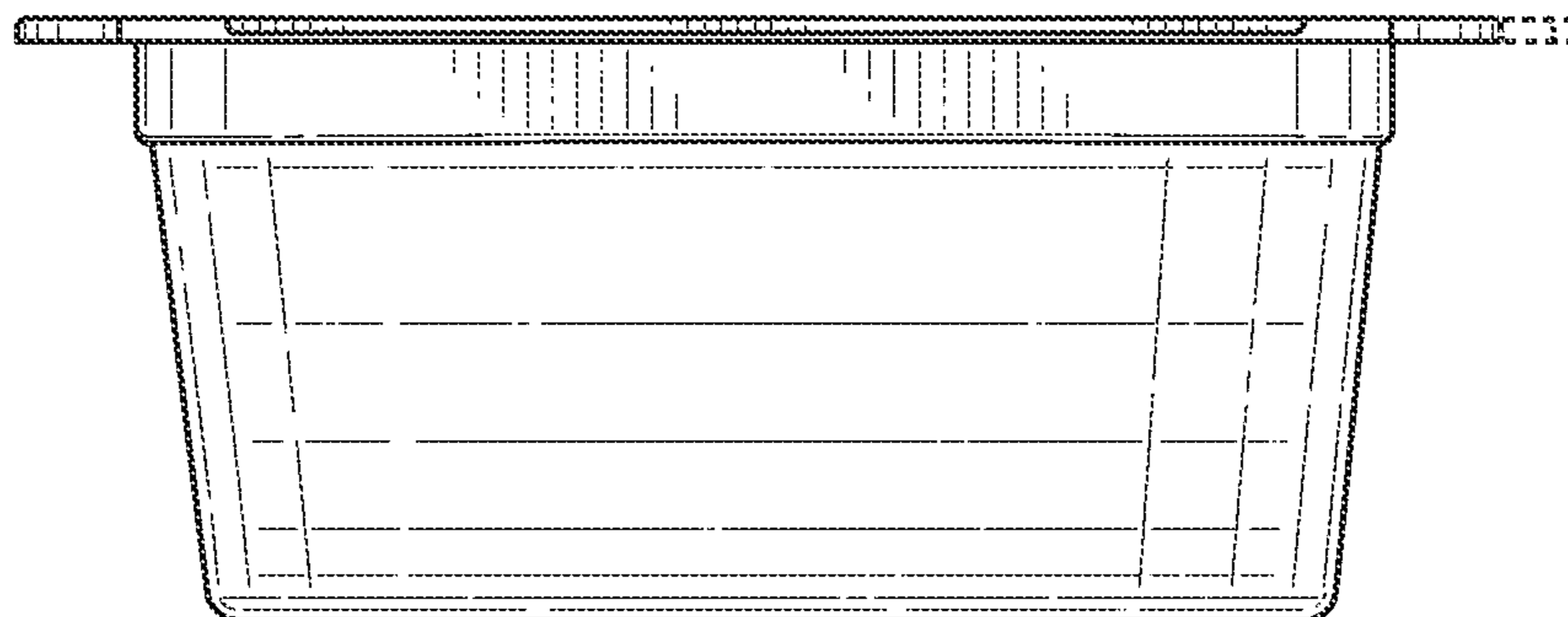


FIG. 6

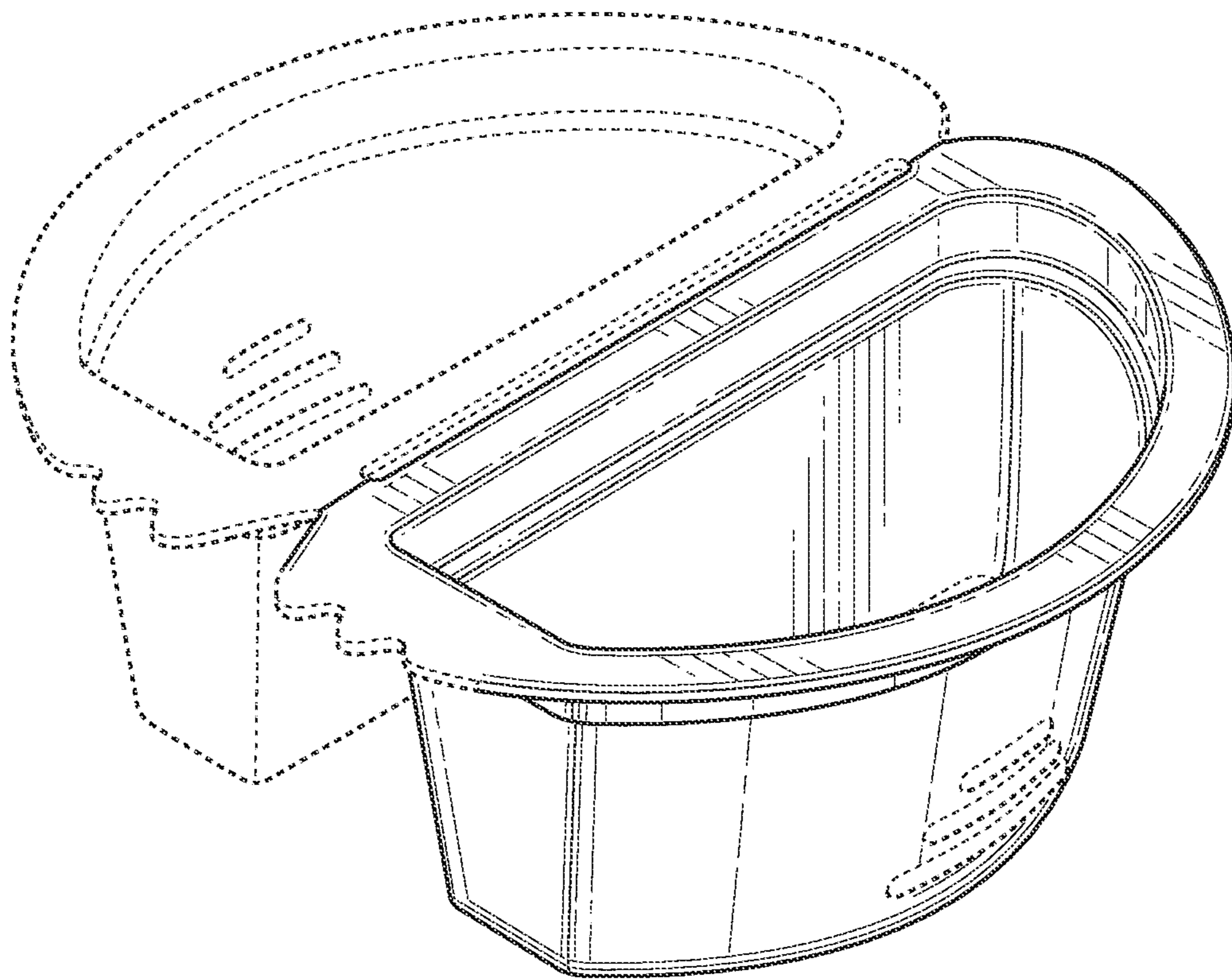


FIG. 7