



US00D975534S

(12) **United States Design Patent**  
**Pagan et al.**

(10) **Patent No.:** **US D975,534 S**  
(45) **Date of Patent:** **\*\* Jan. 17, 2023**

(54) **COMBINED EARRING BOX WITH HINGED SECTIONS**

(71) Applicants: **Tina M. Pagan**, Kingman, AZ (US);  
**Raymond E. Pagan**, Kingman, AZ (US)

(72) Inventors: **Tina M. Pagan**, Kingman, AZ (US);  
**Raymond E. Pagan**, Kingman, AZ (US)

(\*\*) Term: **15 Years**

(21) Appl. No.: **29/812,439**

(22) Filed: **Oct. 21, 2021**

(51) **LOC (14) Cl.** ..... **09-03**

(52) **U.S. Cl.**  
USPC ..... **D9/420**

(58) **Field of Classification Search**  
USPC ..... D9/420, 431, 432, 414-418, 423, 737,  
D9/421, 734, 721, 429; D3/299, 294,  
D3/901; D6/661, 407; D12/424  
CPC ... A47F 3/08; A47F 7/03; B65D 5/541; E05F  
1/1215; A47G 29/10; A47B 61/00; A47B  
51/00; A45C 5/005  
See application file for complete search history.

(56) **References Cited**

**U.S. PATENT DOCUMENTS**

- 2,513,150 A \* 6/1950 Davis ..... A47B 61/00  
312/289
- 3,078,133 A \* 2/1963 Schauer ..... A47B 51/00  
312/298
- 3,106,010 A \* 10/1963 Morrell ..... E05F 1/1215  
16/307
- D285,660 S \* 9/1986 Cronsioe ..... D9/420
- D301,100 S 5/1989 Lee
- 4,848,585 A 7/1989 Snyder
- D306,238 S 2/1990 Pham-Phu

- 4,984,854 A \* 1/1991 DeLavallade ..... A47F 3/08  
312/330.1
- D328,817 S 8/1992 Holland
- 5,261,529 A 11/1993 Holland
- 5,358,100 A \* 10/1994 Wolff ..... A45C 5/005  
206/823
- 5,411,139 A \* 5/1995 Victory ..... A47G 29/10  
312/321
- D361,430 S 8/1995 Mohundro
- D365,892 S \* 1/1996 Markham ..... D3/901
- 5,511,873 A 4/1996 Mech
- D373,754 S \* 9/1996 Pinterpe ..... D12/424
- D474,688 S \* 5/2003 Litts ..... D9/432
- 6,857,519 B2 \* 2/2005 Daetweiler ..... A47F 7/03  
206/6.1

(Continued)

*Primary Examiner* — Rhea Shields

(74) *Attorney, Agent, or Firm* — Suzanne Kikel

(57) **CLAIM**

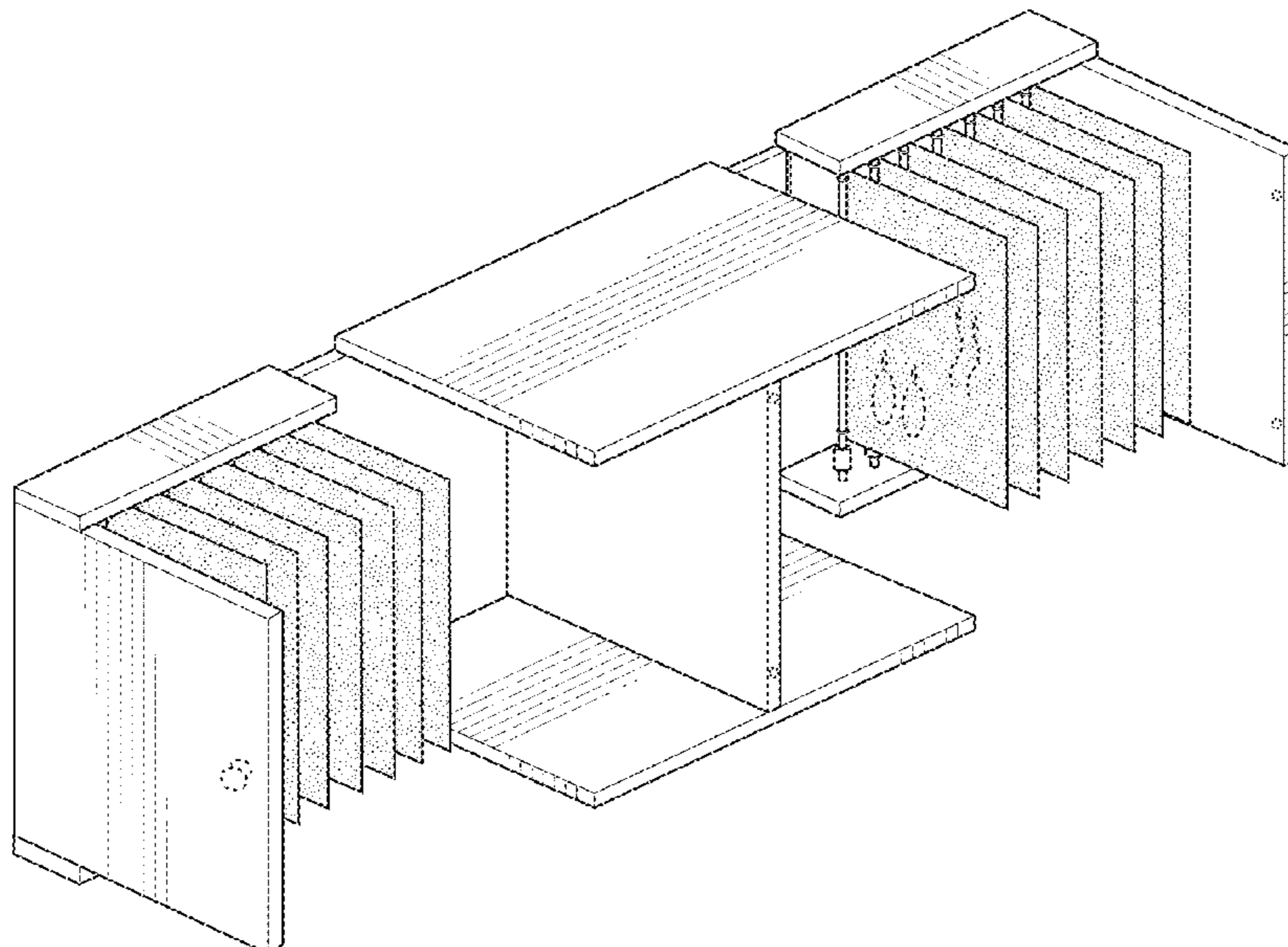
The ornamental design for an combined earring box with hinged sections, as shown and described.

**DESCRIPTION**

FIG. 1 is a left side elevation view of an combined earring box with hinged sections, showing our new design; FIG. 2 is a front elevation view thereof; FIG. 3 is a rear elevation view thereof; FIG. 4 is a left side elevation view thereof; FIG. 5 is a right-side elevation view thereof; FIG. 6 is a top plan view thereof; FIG. 7 is a bottom plan view thereof; FIG. 8 is a left side elevation view, shown in an open position; and, FIG. 9 is an exploded left side elevation view thereof.

The broken lines showing of the earrings is in the drawings is for illustrative purposes only and forms no part of the claimed design. The broken line showing of the knobs and legs in the drawings are unclaimed subject matter.

**1 Claim, 6 Drawing Sheets**



(56)

References Cited

U.S. PATENT DOCUMENTS

D503,614	S *	4/2005	Sax .....	B65D 5/541 D9/418
6,926,136	B1	8/2005	Lynch-Bass	
D522,748	S *	6/2006	Kim .....	D3/294
D539,138	S *	3/2007	Mittelstaedt .....	D3/294
D589,788	S *	4/2009	Brand .....	D9/423
D606,859	S *	12/2009	Stewart .....	D9/432
7,652,178	B2	1/2010	Greiner	
D625,995	S *	10/2010	Vovan .....	D9/429
D634,944	S *	3/2011	Walks .....	D6/661
8,029,076	B2	10/2011	Greiner	
D682,119	S *	5/2013	Buford .....	D9/721
D687,295	S *	8/2013	Park .....	D9/420
D693,215	S *	11/2013	Sill .....	D9/418
D698,567	S *	2/2014	Chen .....	D6/407
D702,565	S *	4/2014	Gale .....	D9/734
D709,364	S *	7/2014	Olsson .....	D9/432
9,516,957	B2	12/2016	Riegle	
D791,589	S *	7/2017	Remash .....	D9/432
D842,096	S *	3/2019	Hsu .....	D9/432
D864,710	S *	10/2019	Watson .....	D9/421
D874,262	S *	2/2020	Lindsay .....	D9/420
D896,068	S *	9/2020	Hampton .....	D9/737
D918,030	S *	5/2021	Wan .....	D9/420
D918,037	S *	5/2021	Brasher .....	D9/432
D937,080	S *	11/2021	DeMaio .....	D9/420
D957,249	S *	7/2022	Glassman .....	D9/432
D958,650	S *	7/2022	O'Neil .....	D9/432
2007/0164643	A1	7/2007	Greiner	

\* cited by examiner

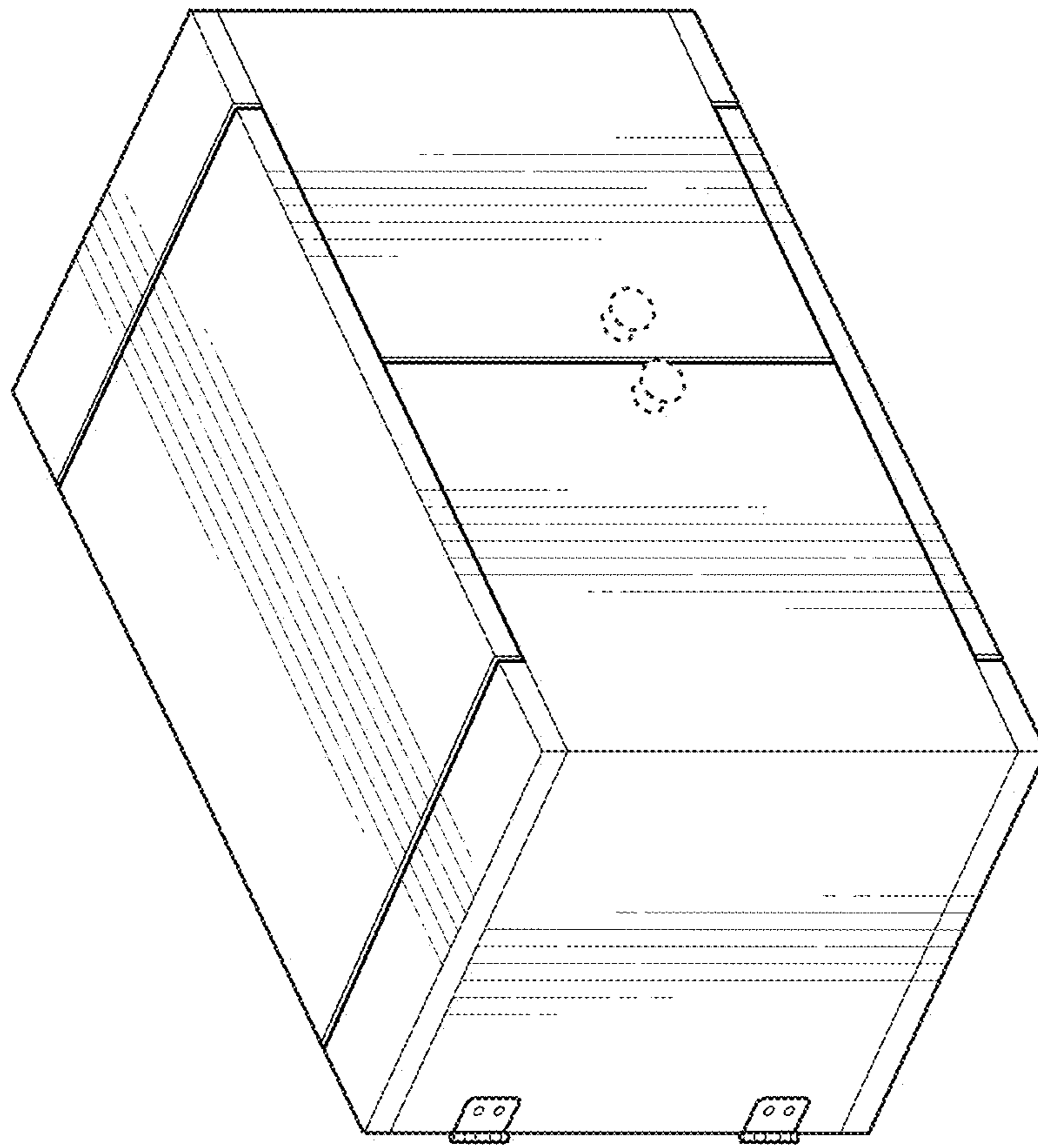


FIG. 1

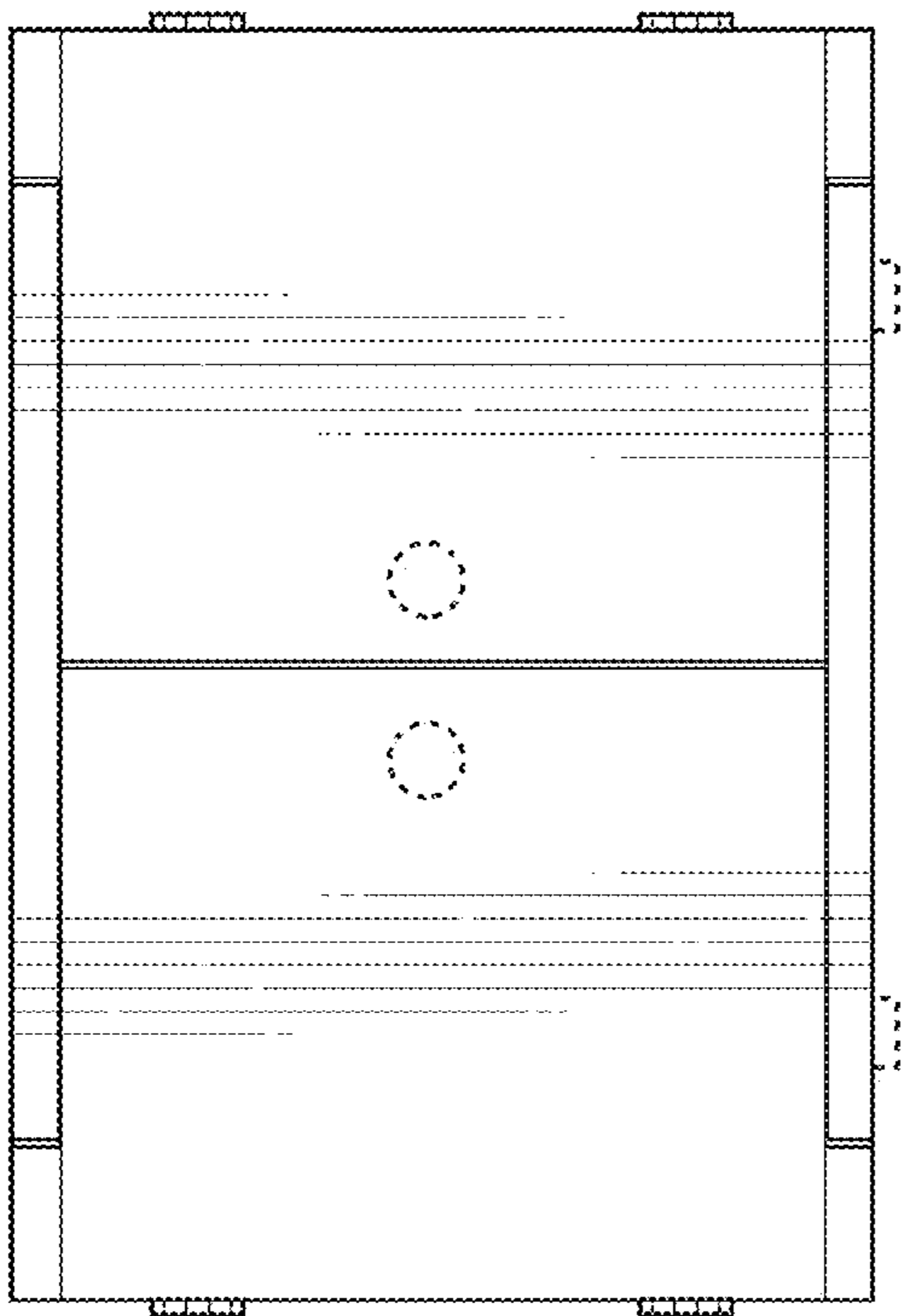


FIG. 2

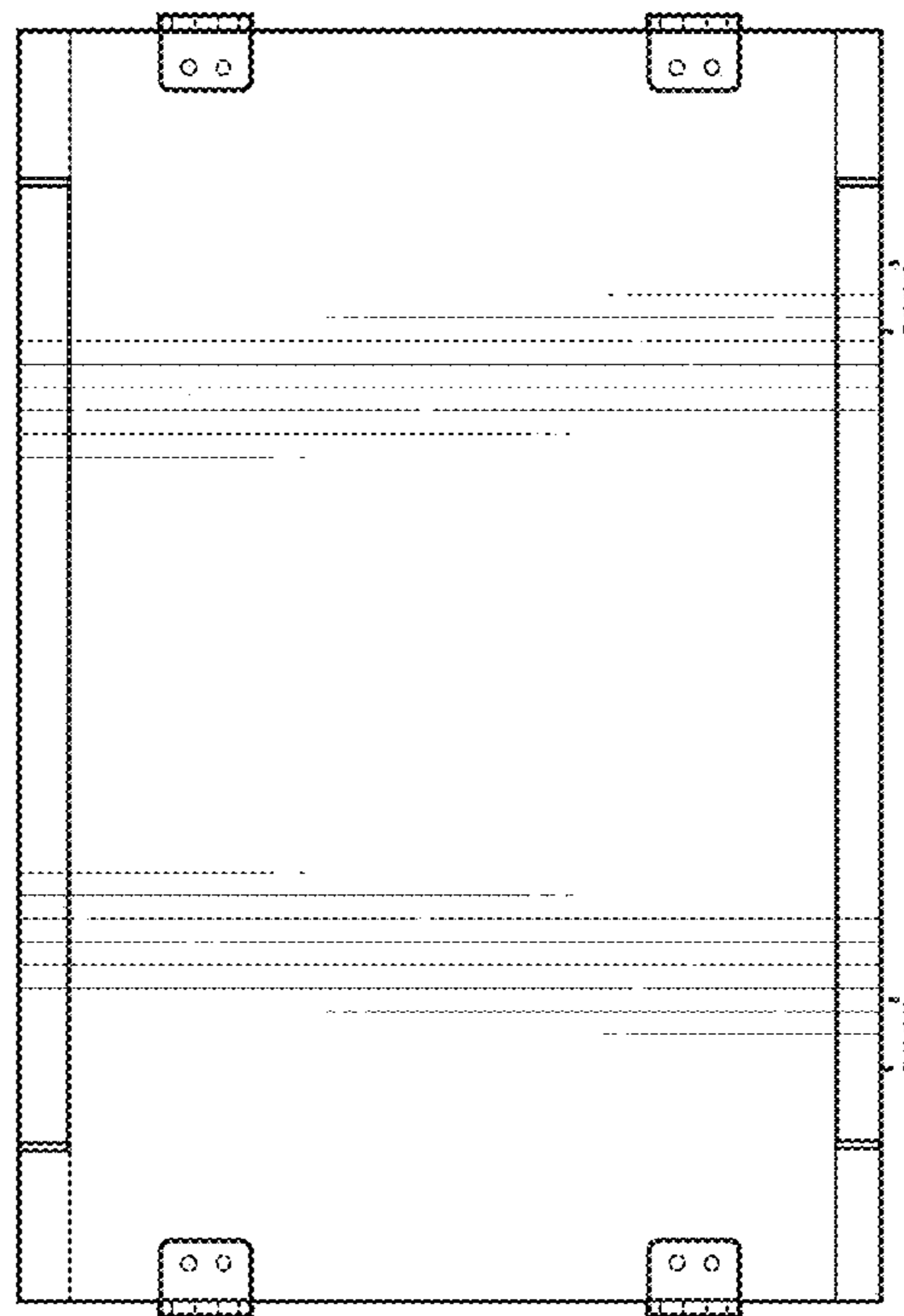


FIG. 3

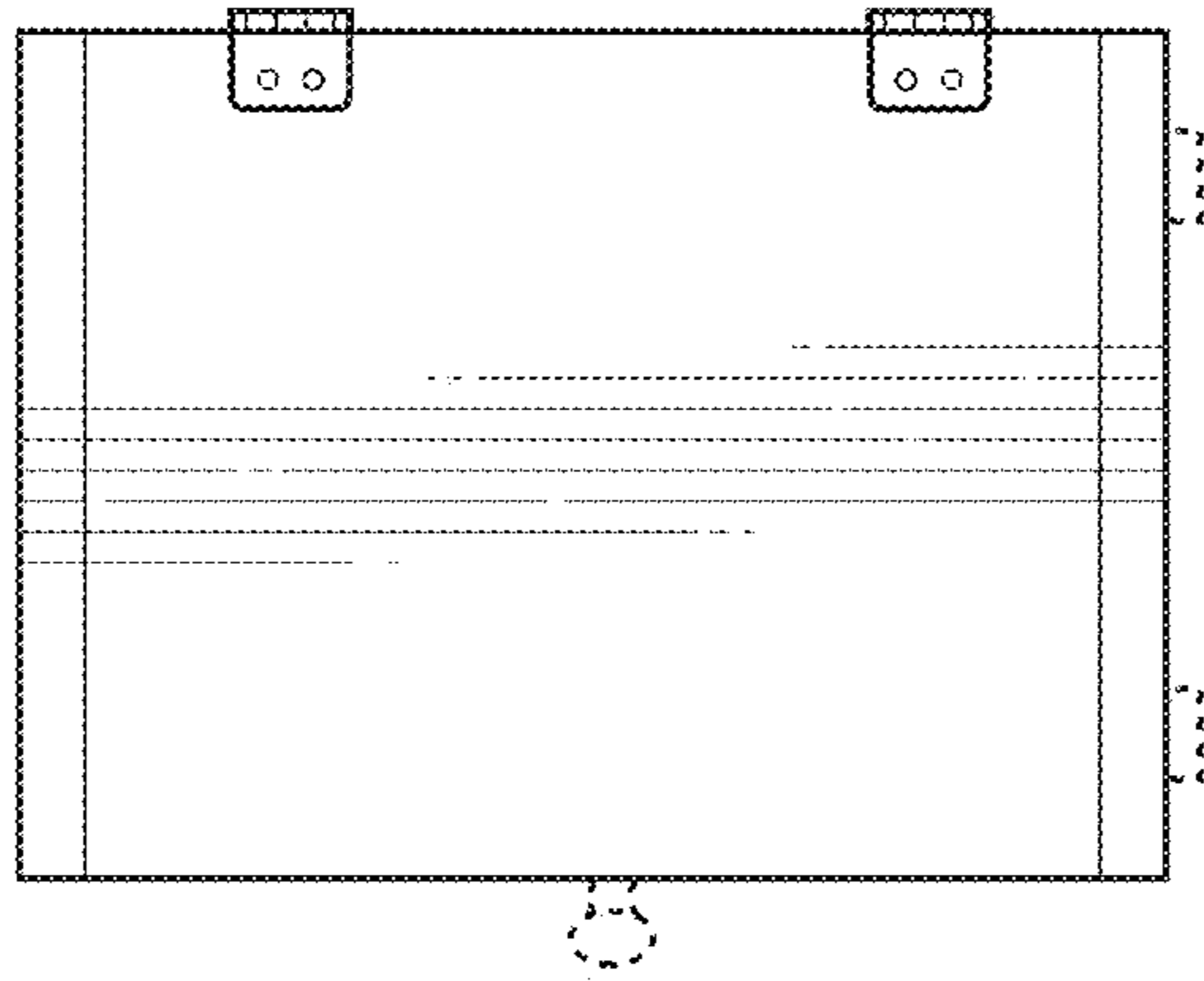


FIG. 5

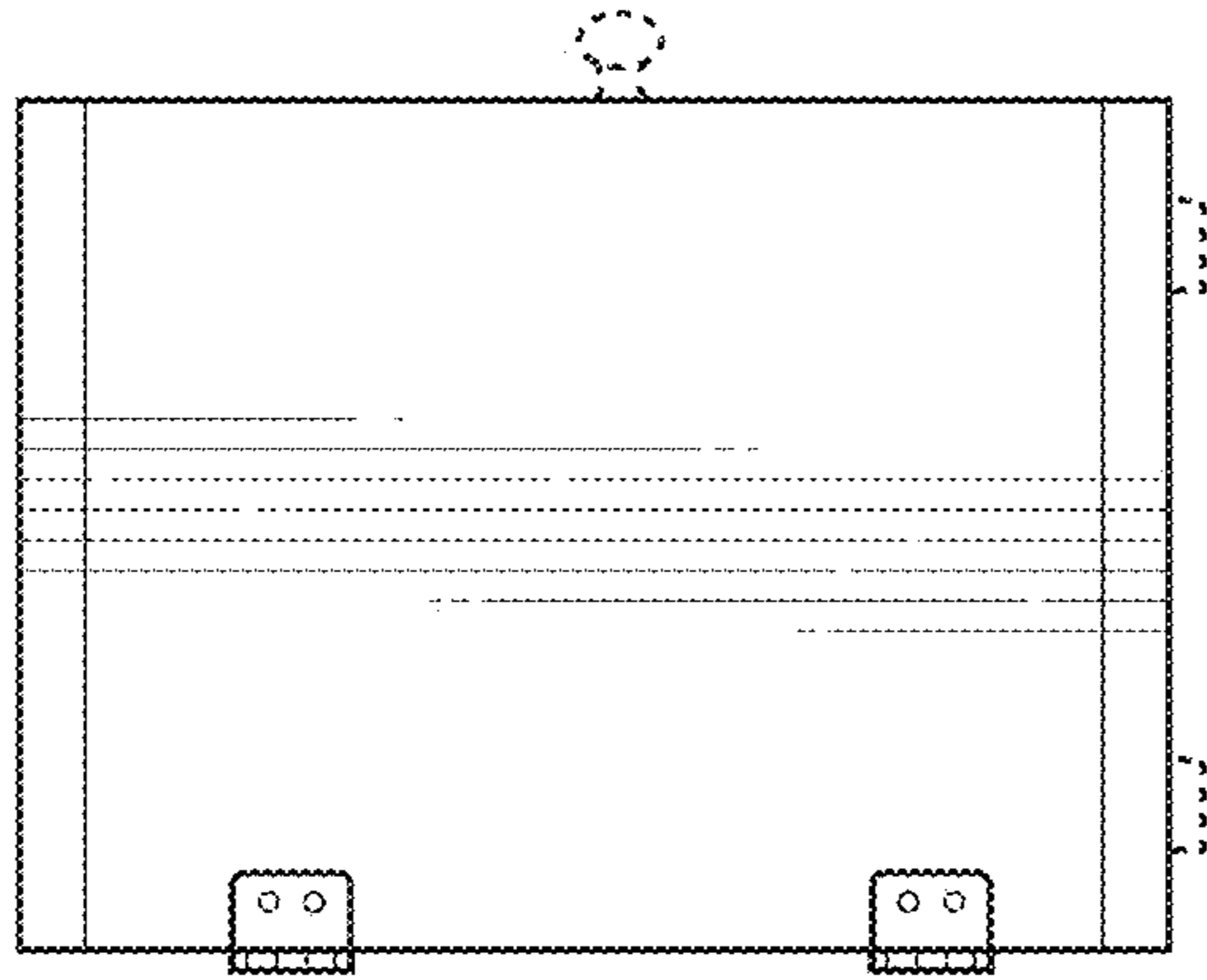


FIG. 4

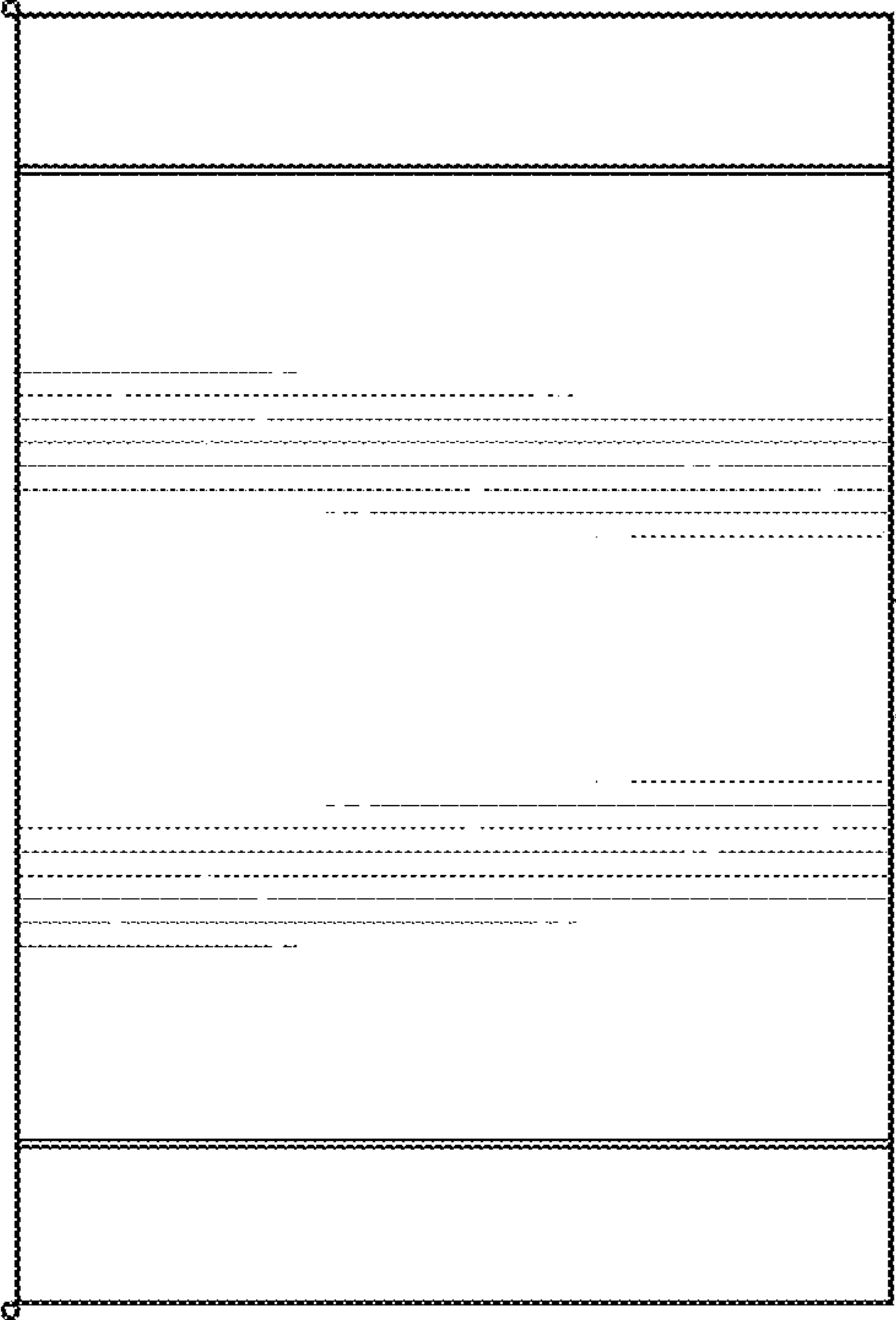


FIG. 6

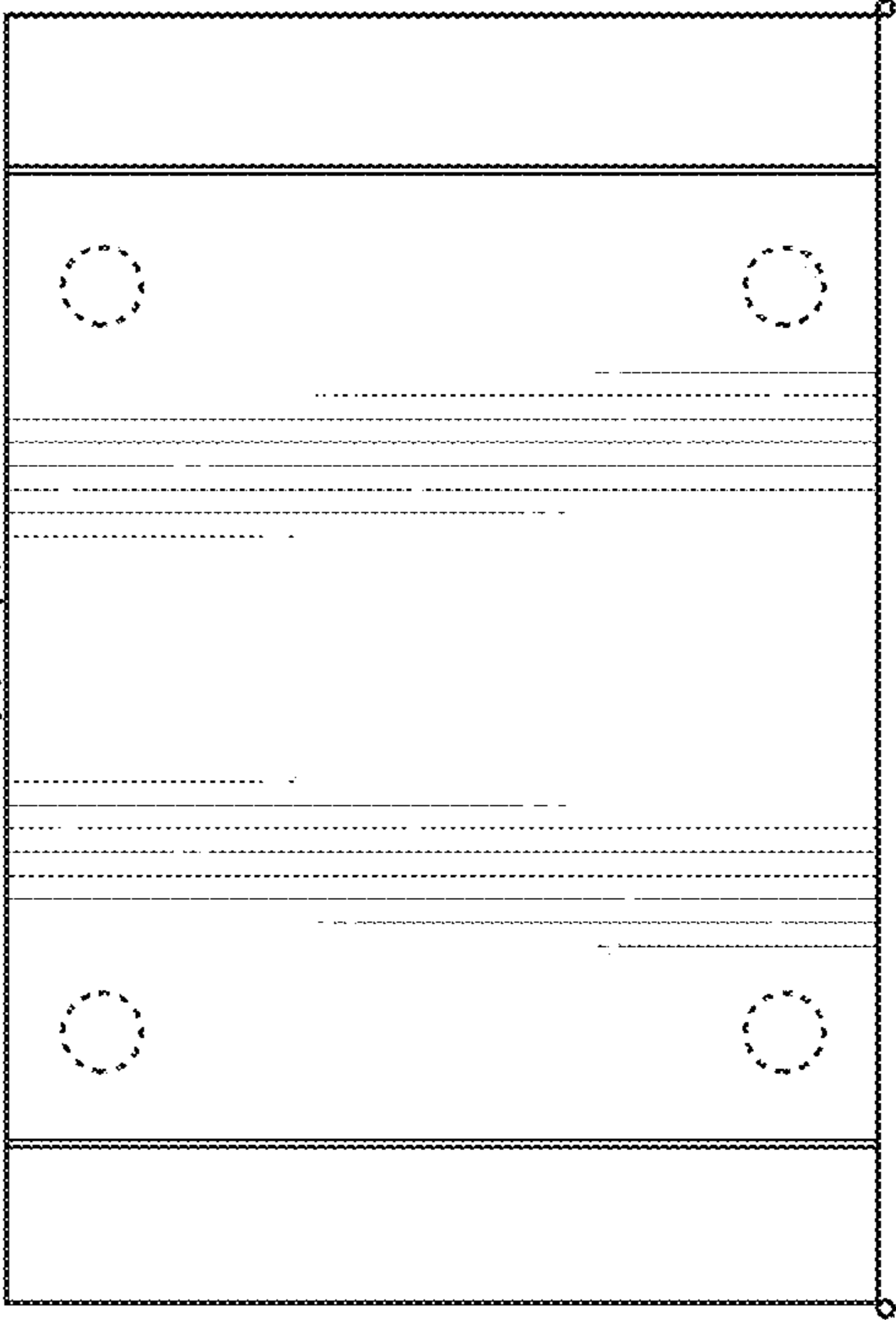


FIG. 7

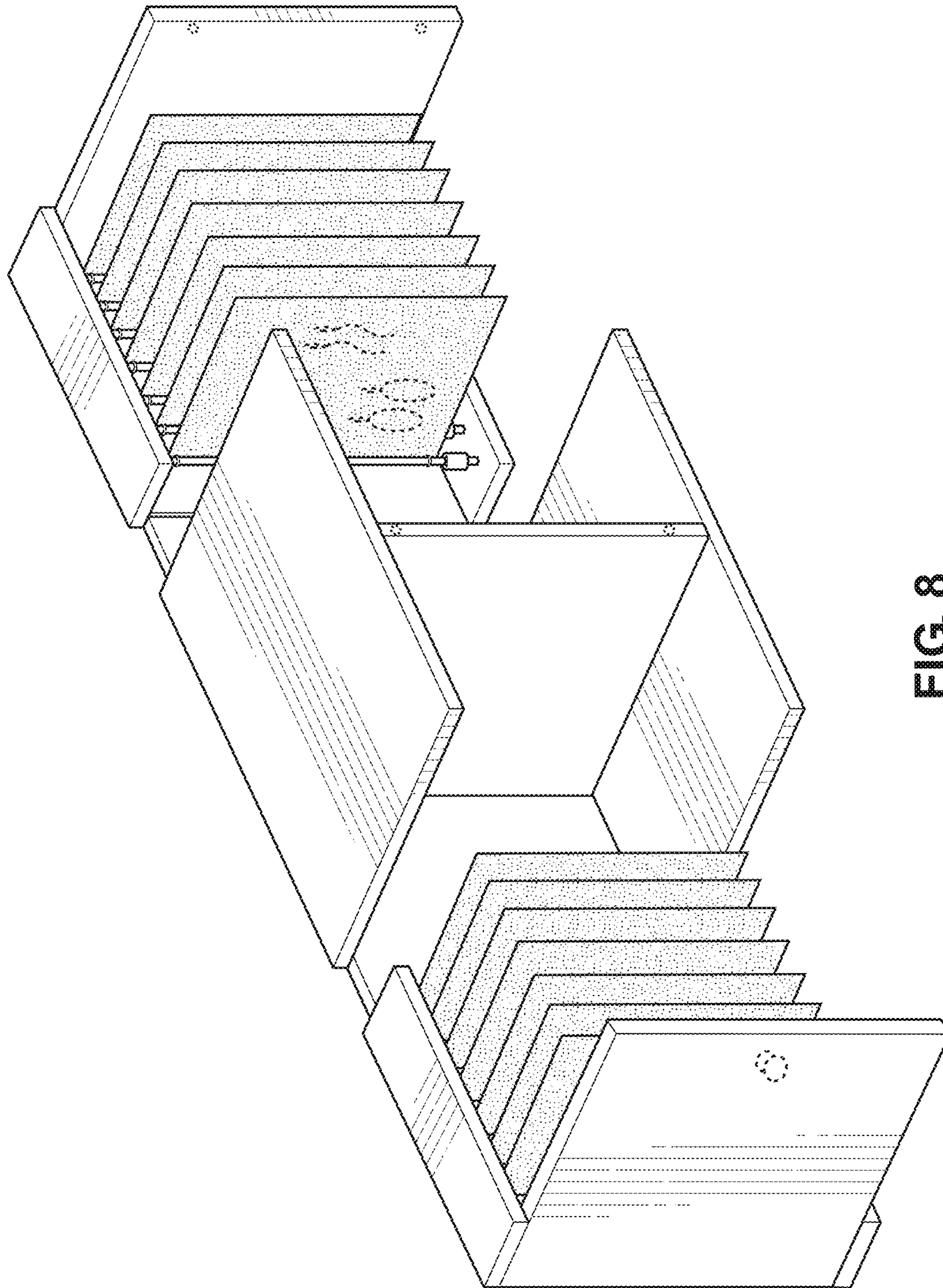


FIG. 8

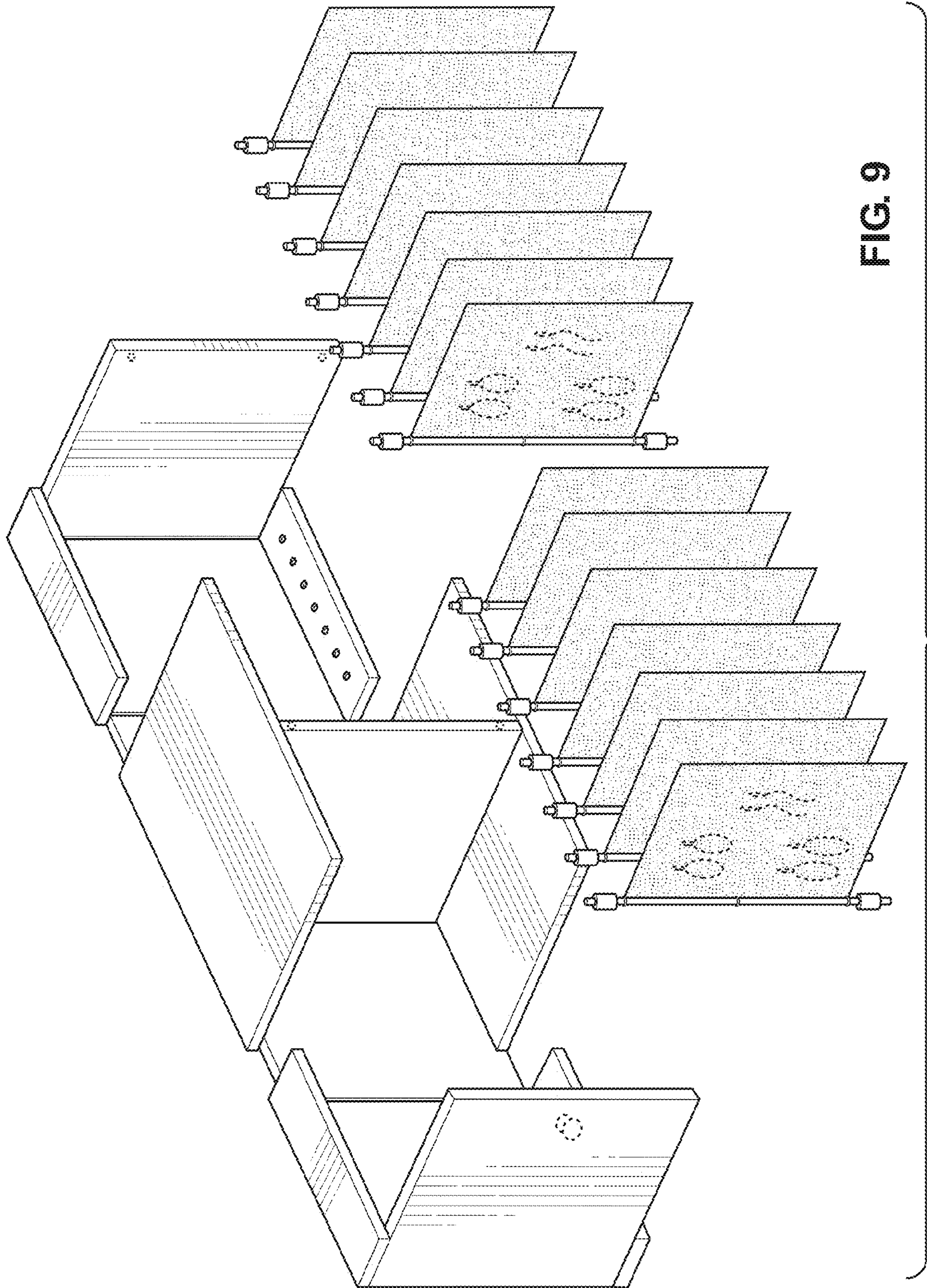


FIG. 9