



US00D975530S

(12) **United States Design Patent**
Anderson

(10) **Patent No.:** **US D975,530 S**

(45) **Date of Patent:** **** Jan. 17, 2023**

(54) **ADJUSTABLE ROD CLAMP**

(71) Applicant: **ERICO INTERNATIONAL CORPORATION**, Solon, OH (US)

(72) Inventor: **Scott Ernest Anderson**, Garrettsville, OH (US)

(73) Assignee: **ERICO International Corporation**, Solon, OH (US)

(**) Term: **15 Years**

(21) Appl. No.: **29/676,252**

(22) Filed: **Jan. 9, 2019**

(51) **LOC (14) Cl.** **08-08**

(52) **U.S. Cl.**
USPC **D8/398**; D8/394

(58) **Field of Classification Search**
USPC D8/349, 352, 382, 72, 394, 395, 396, 73, D8/383, 323, 306, 325, 356, 71;
(Continued)

(56) **References Cited**

U.S. PATENT DOCUMENTS

3,167,286 A 1/1965 Sherburne
3,310,264 A 3/1967 Appleton
(Continued)

FOREIGN PATENT DOCUMENTS

AU 2008100739 A4 9/2008
CA 34268 * 8/1971
(Continued)

OTHER PUBLICATIONS

Bag Hardware Metal Corners for Handbag Accessories Strap End Cord; google.com, [online], [site visited Jan. 11, 2022], Available from internet URL: https://www.alibaba.com/product-detail/Bag-Hardware-Metal-Corners-for-Handbag_60773631234.html?spm=a2700.details.0.0.24035e1eOvsL4e (Year: NA).*

(Continued)

Primary Examiner — Susan Bennett Hattan

Assistant Examiner — Rozita Mozaffarian

(74) *Attorney, Agent, or Firm* — Quarles & Brady LLP

(57) **CLAIM**

The ornamental design for an adjustable rod clamp, as shown and described.

DESCRIPTION

FIG. 1 is a top, front, isometric view of my new ornamental design for an adjustable rod clamp, adjusted to a first position;

FIG. 2 is a bottom, front, isometric view of the adjustable rod clamp of FIG. 1, adjusted to the first position;

FIG. 3 is a front elevational view of the adjustable rod clamp of FIG. 1, adjusted to the first position;

FIG. 4 is a rear elevational view of the adjustable rod clamp of FIG. 1, adjusted to the first position;

FIG. 5 is a right side elevational view of the adjustable rod clamp of FIG. 1, adjusted to the first position;

FIG. 6 is a left side view of the adjustable rod clamp of FIG. 1, adjusted to the first position;

FIG. 7 is a top plan view of the adjustable rod clamp of FIG. 1, adjusted to the first position;

FIG. 8 is a bottom plan view of the adjustable rod clamp of FIG. 1, adjusted to the first position;

FIG. 9 is a top, front, isometric view of the adjustable rod clamp of FIG. 1, adjusted to a second position;

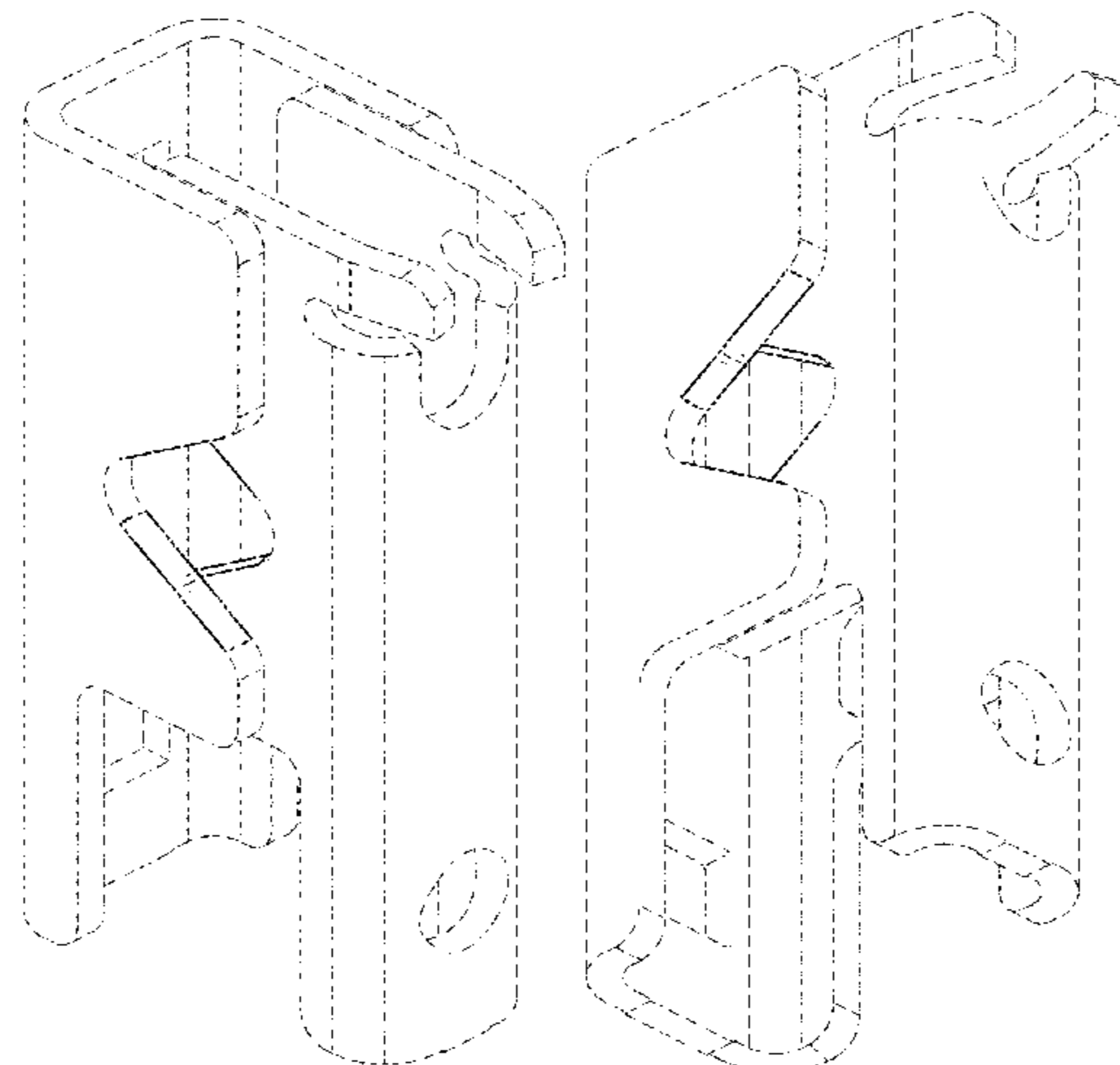
FIG. 10 is a bottom, front, isometric view of the adjustable rod clamp of FIG. 1, adjusted to the second position;

FIG. 11 is a top, front, cross-sectional isometric view, taken along plane 11-11 of FIG. 9, of the adjustable rod clamp of FIG. 1, adjusted to the second position; and,

FIG. 12 is a bottom, front, cross-sectional isometric view, taken along plane 12-12 of FIG. 10, of the adjustable rod clamp of FIG. 1, adjusted to the second position.

All dash-dash broken lines in the drawings depict the environment of the claimed design and form no part of the claim. All dash-dot-dash broken lines in the drawings depict unclaimed boundaries of the claimed design. Features

(Continued)



enclosed between boundary lines or combinations of boundary lines and solid lines are included in the claim.

1 Claim, 6 Drawing Sheets

(58) Field of Classification Search

USPC D11/215, 214, 200, 1, 95; D16/242, 245;
 D21/366; D23/266; D24/230; D25/47.1,
 D25/48.7, 60
 CPC H01Q 1/125; H01Q 1/12; F16M 11/10;
 F16M 13/022; F16M 13/02; Y10T
 403/7105; Y10T 403/7188; A47B 96/06;
 E04G 3/00; F16B 1/00; G09F 7/18
 See application file for complete search history.

(56) References Cited

U.S. PATENT DOCUMENTS

3,604,676	A	9/1971	Weber	
D296,545	S *	7/1988	Sachs	D8/394
4,767,087	A	8/1988	Combu	
5,188,317	A	2/1993	Roth	
6,283,425	B1 *	9/2001	Liljevik	F16M 11/10 403/399
6,415,560	B1	7/2002	Rinderer	
6,719,255	B2	4/2004	Chen	
6,837,009	B1	1/2005	Roth	
6,896,226	B2	5/2005	Heath	
7,097,141	B2	8/2006	Heath	
7,219,862	B2	5/2007	Heath	
7,467,765	B2	12/2008	Heath	
7,654,043	B2	2/2010	Heath	
7,661,915	B2	2/2010	Whipple	
7,918,425	B2	4/2011	Rathbone et al.	

8,100,368	B2	1/2012	Jackson et al.	
8,272,615	B2	9/2012	Silcox et al.	
8,317,526	B2	11/2012	Gardner et al.	
8,464,986	B1	6/2013	McClure	
8,678,330	B2 *	3/2014	Silcox	A62C 35/68 169/41
9,146,003	B2	9/2015	Carson	
9,278,238	B2	3/2016	Thau, Jr. et al.	
9,308,407	B2	4/2016	Jung	
D757,596	S *	5/2016	Miceli	D11/1
9,343,799	B2	5/2016	Lettkeman	
9,360,135	B1	6/2016	McClure	
D783,443	S *	4/2017	Bresser	D11/79
9,722,296	B2	8/2017	Lettkeman	
9,889,327	B2 *	2/2018	Mitchell	F16L 3/245
D886,665	S *	6/2020	Swims	D8/395
D927,293	S *	8/2021	Axelsson	D8/382
2007/0014628	A1	1/2007	Klippel et al.	
2007/0187557	A1	8/2007	Heath	

FOREIGN PATENT DOCUMENTS

CN	204508601	U	7/2015
EM	006617981-0004	*	10/2019
KR	20080085351	A	9/2008
KR	20120082629	A	7/2012

OTHER PUBLICATIONS

Seismic System Attachments; B-Line series Seismic Bracing Products; Eaton; p. 40 of catalog; 1 page.
 Mason Industries, Inc.; SHB-Seismic Hook Brace; 1 page; © 2017 Mason Industries, Inc.
 Badger Industries Seismic Hardware; 2016 edition Seismic Bracing Manual; 152 pages.

* cited by examiner

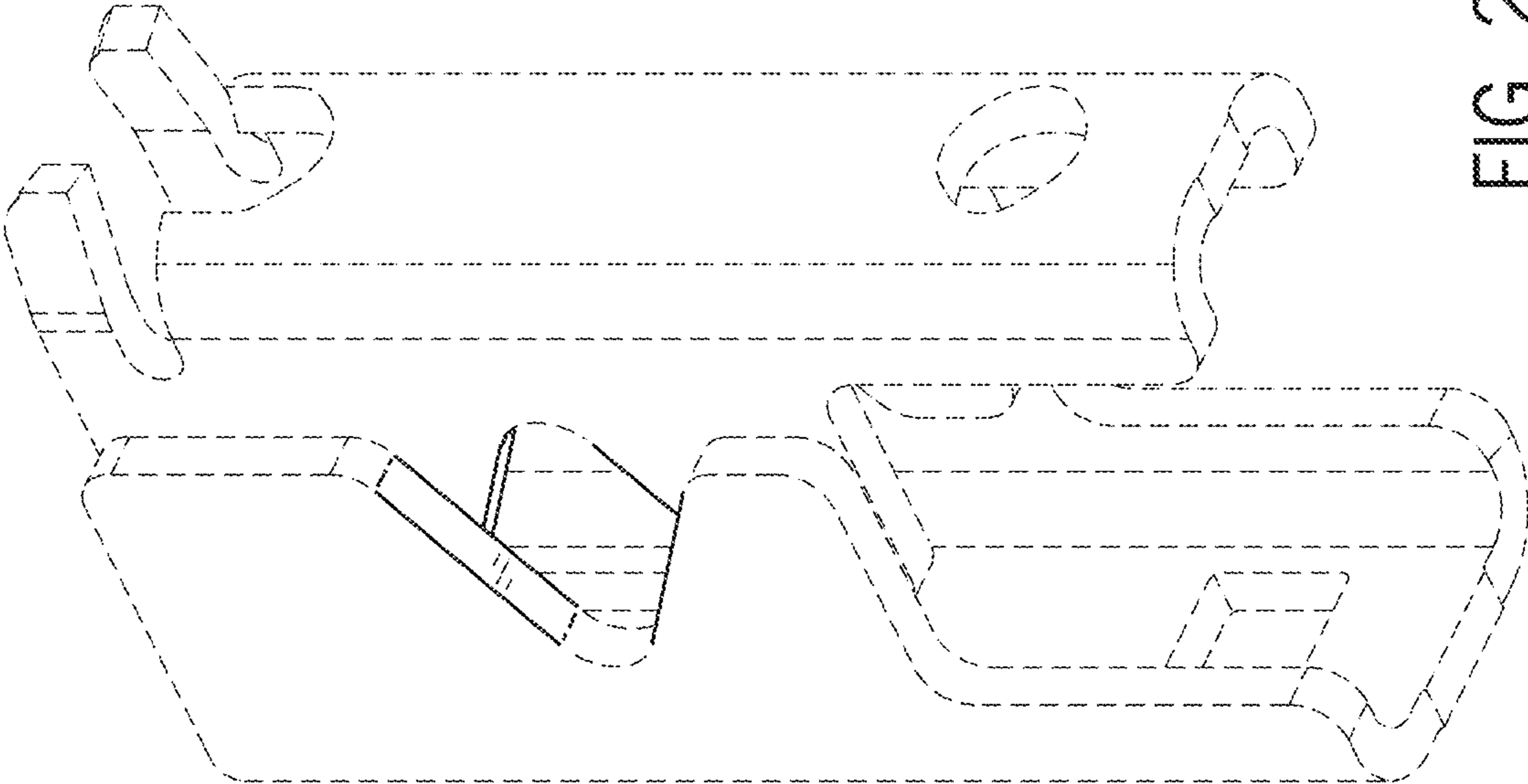


FIG. 1

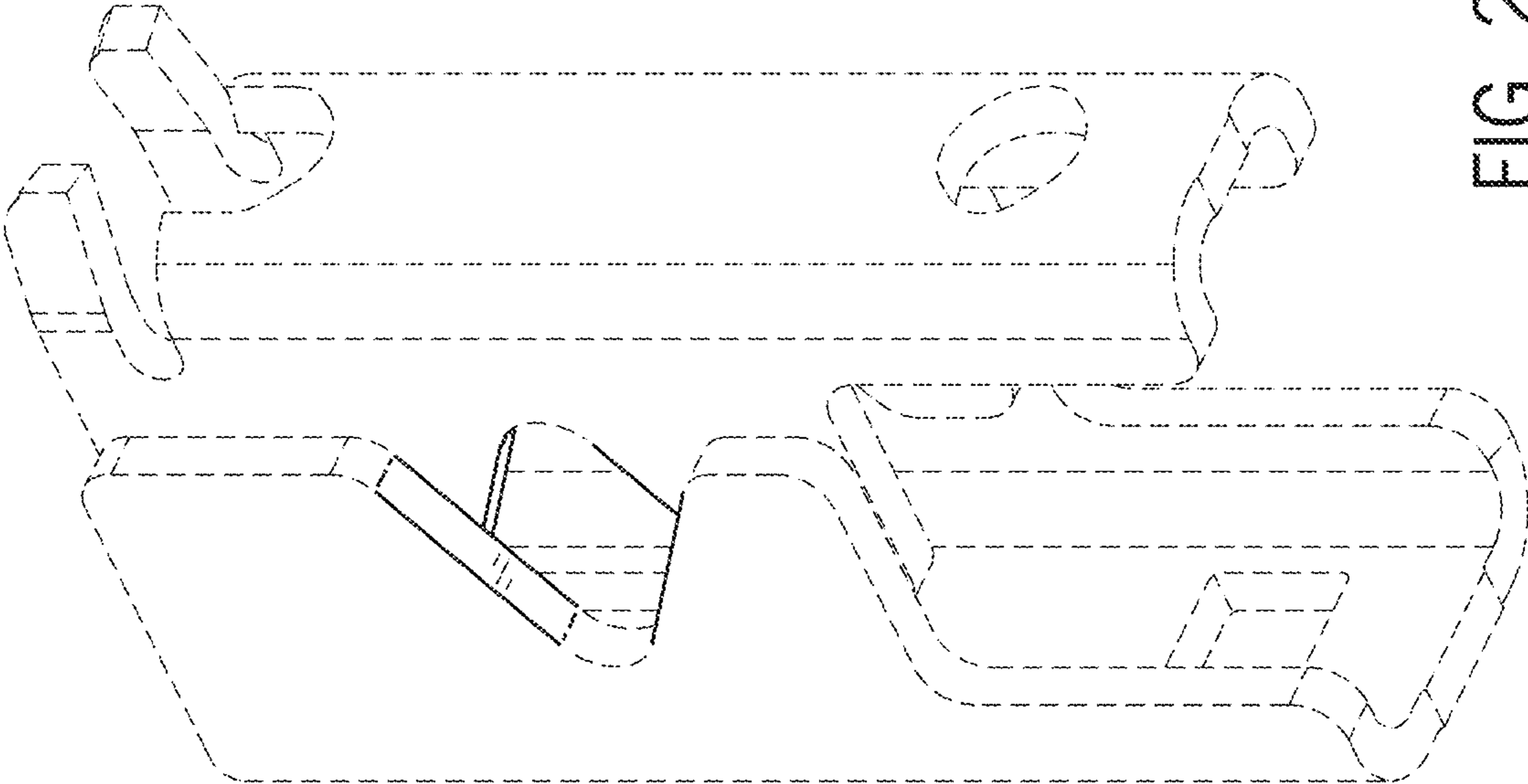


FIG. 2

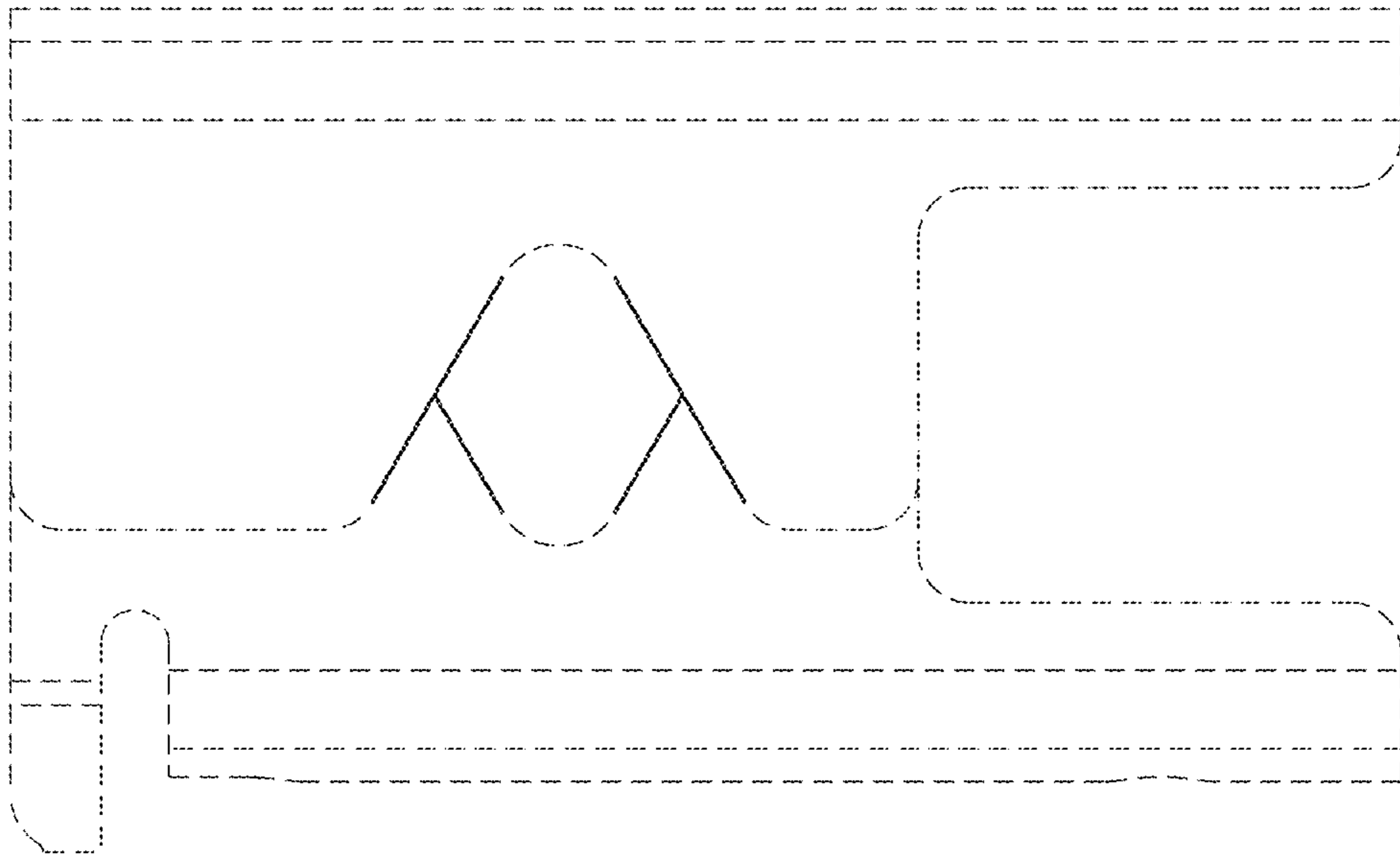


FIG. 4

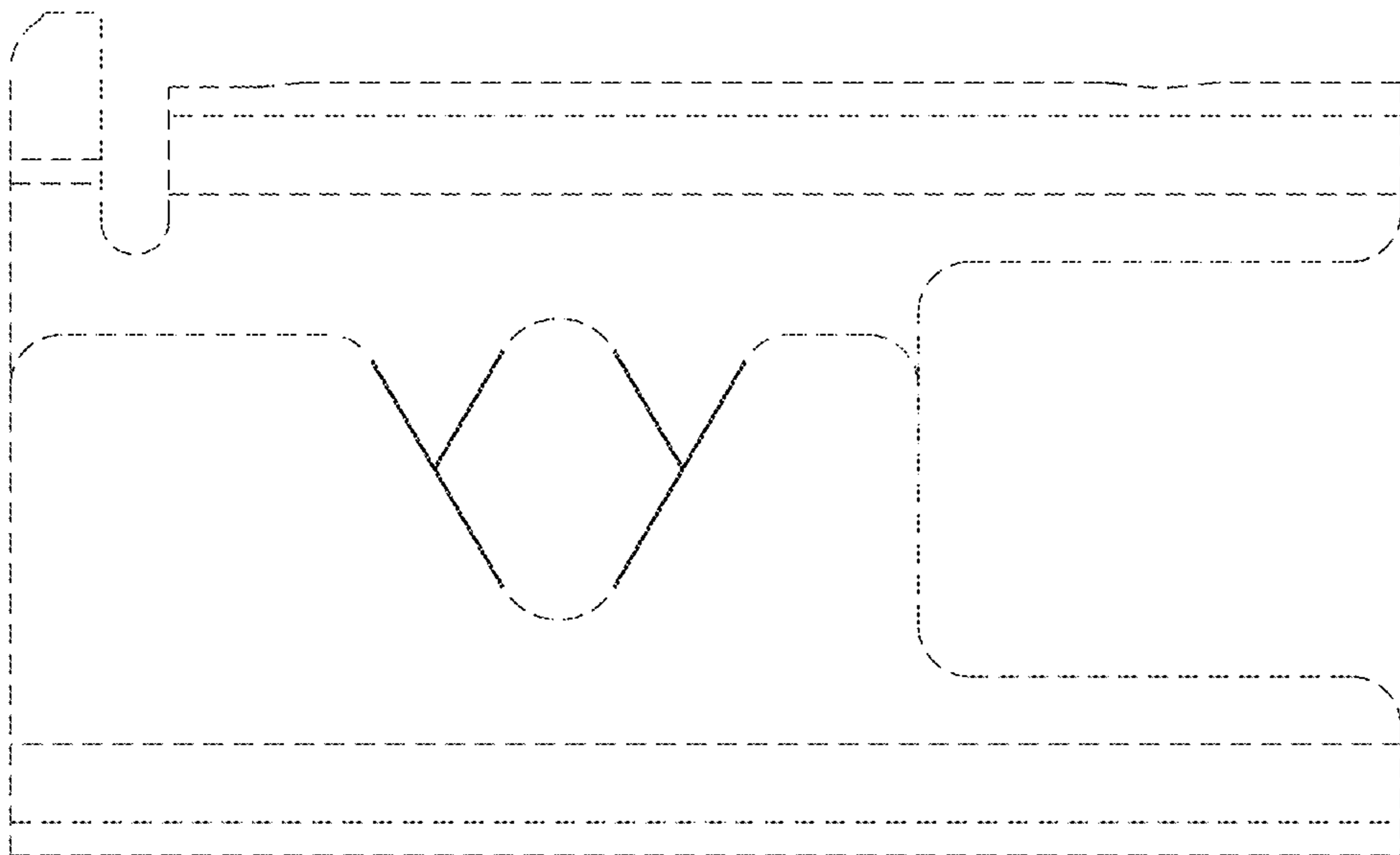


FIG. 3

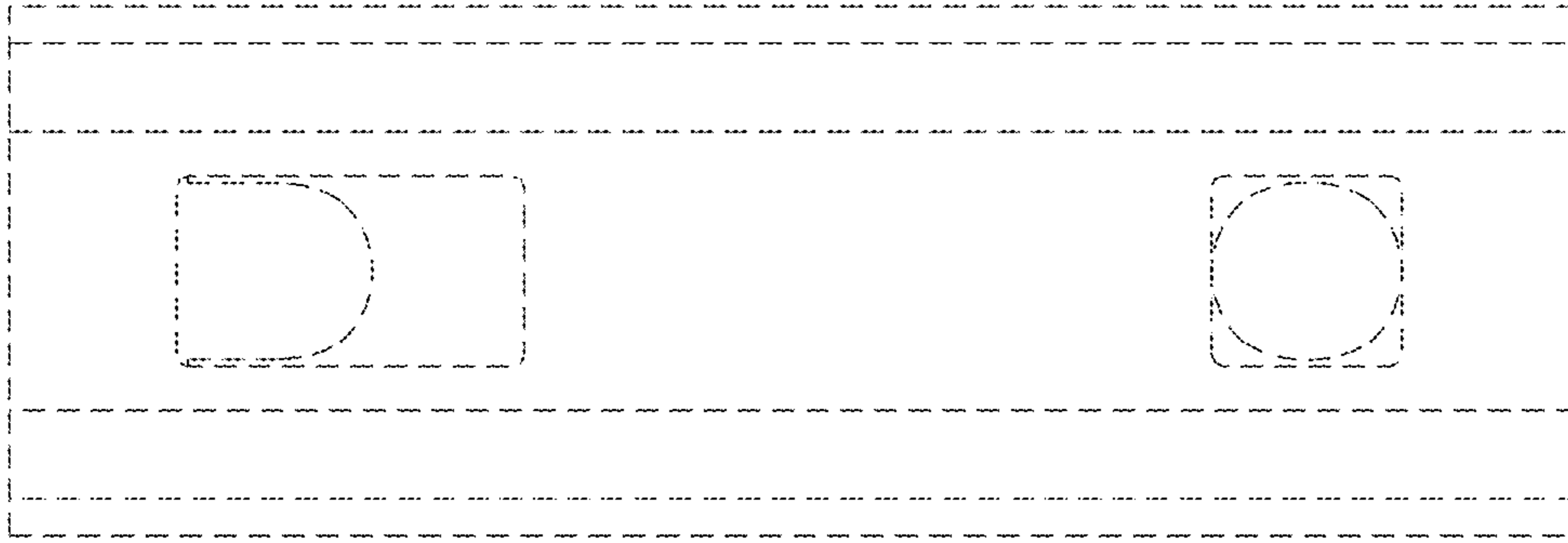


FIG. 6

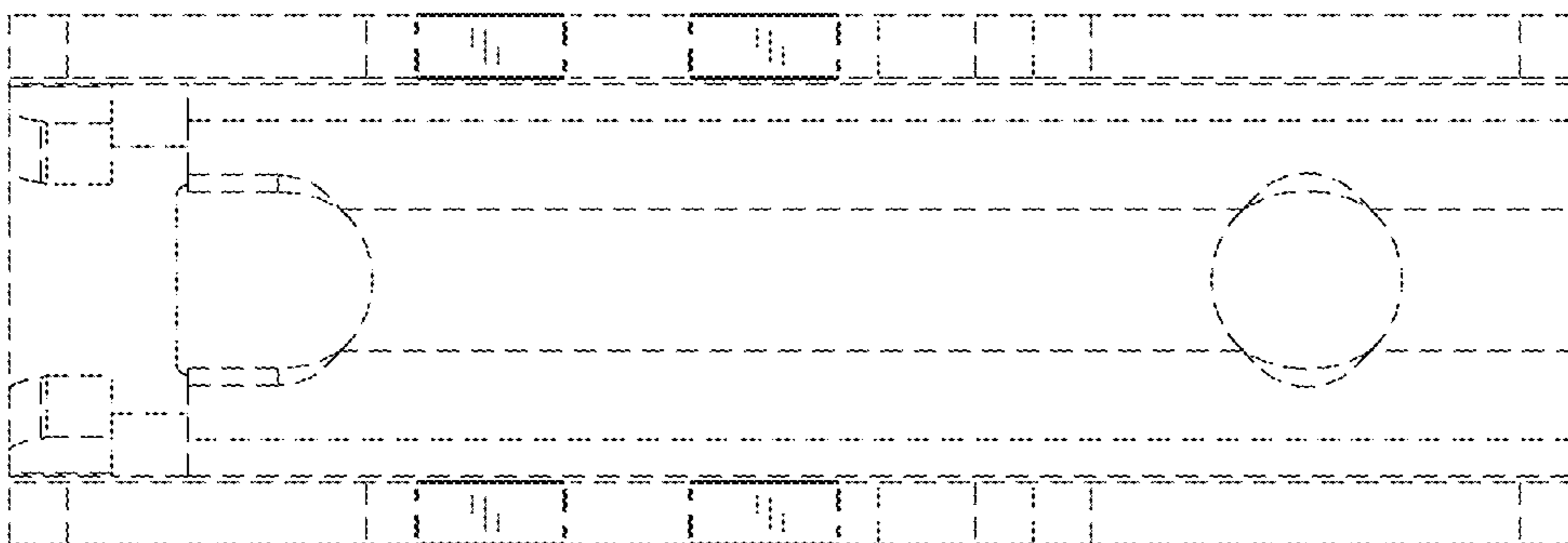


FIG. 5

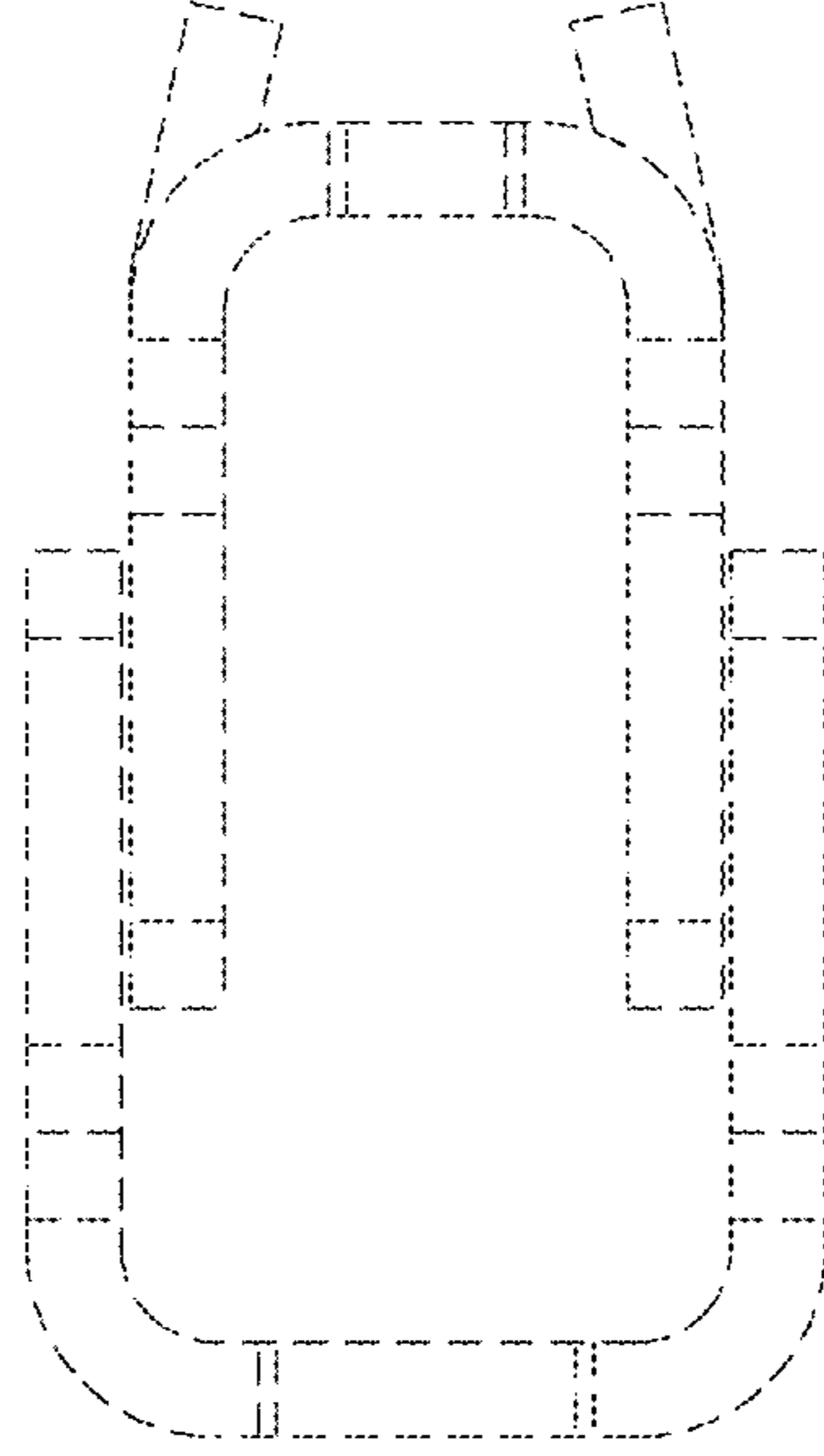


FIG. 8

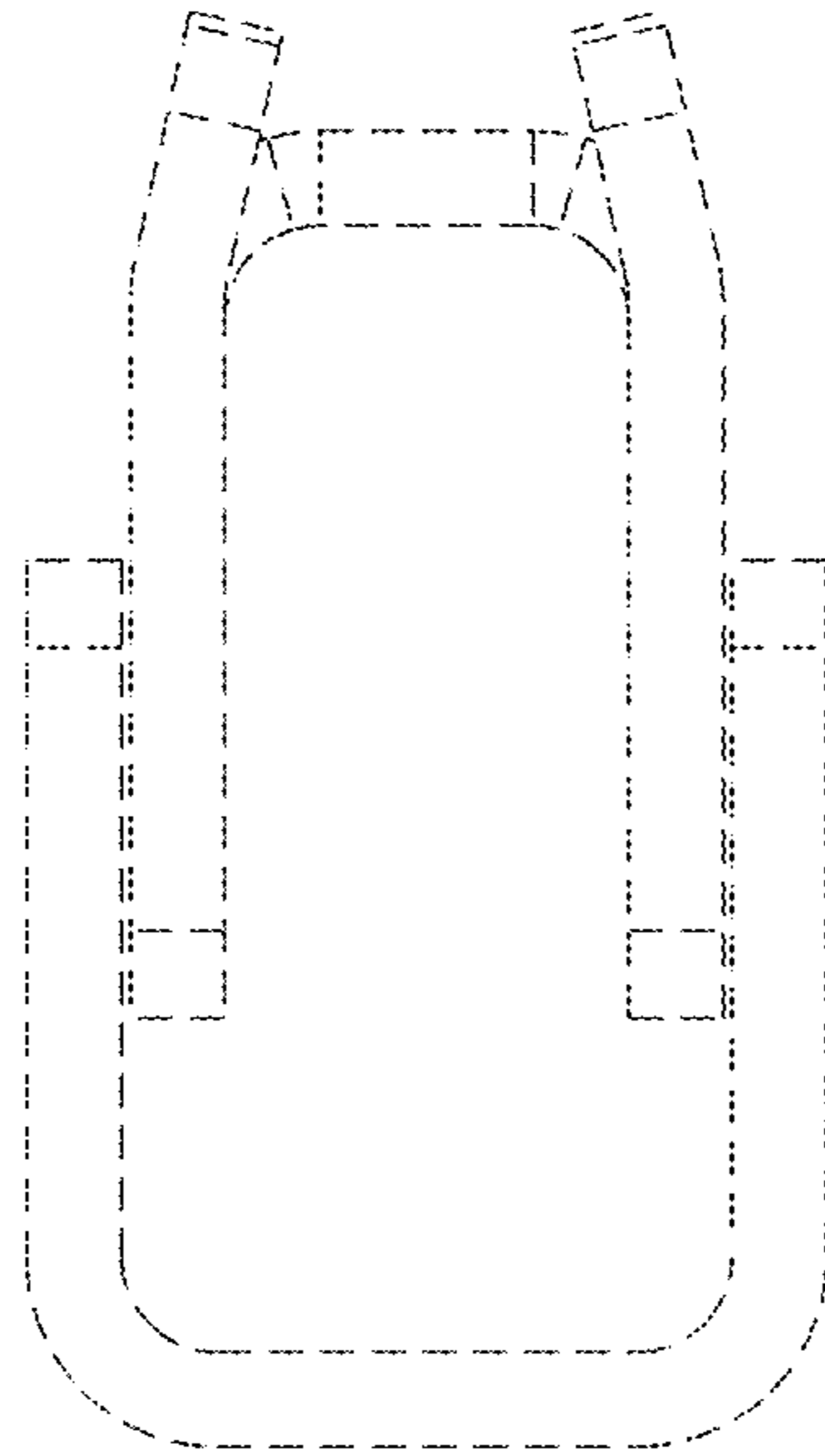


FIG. 7

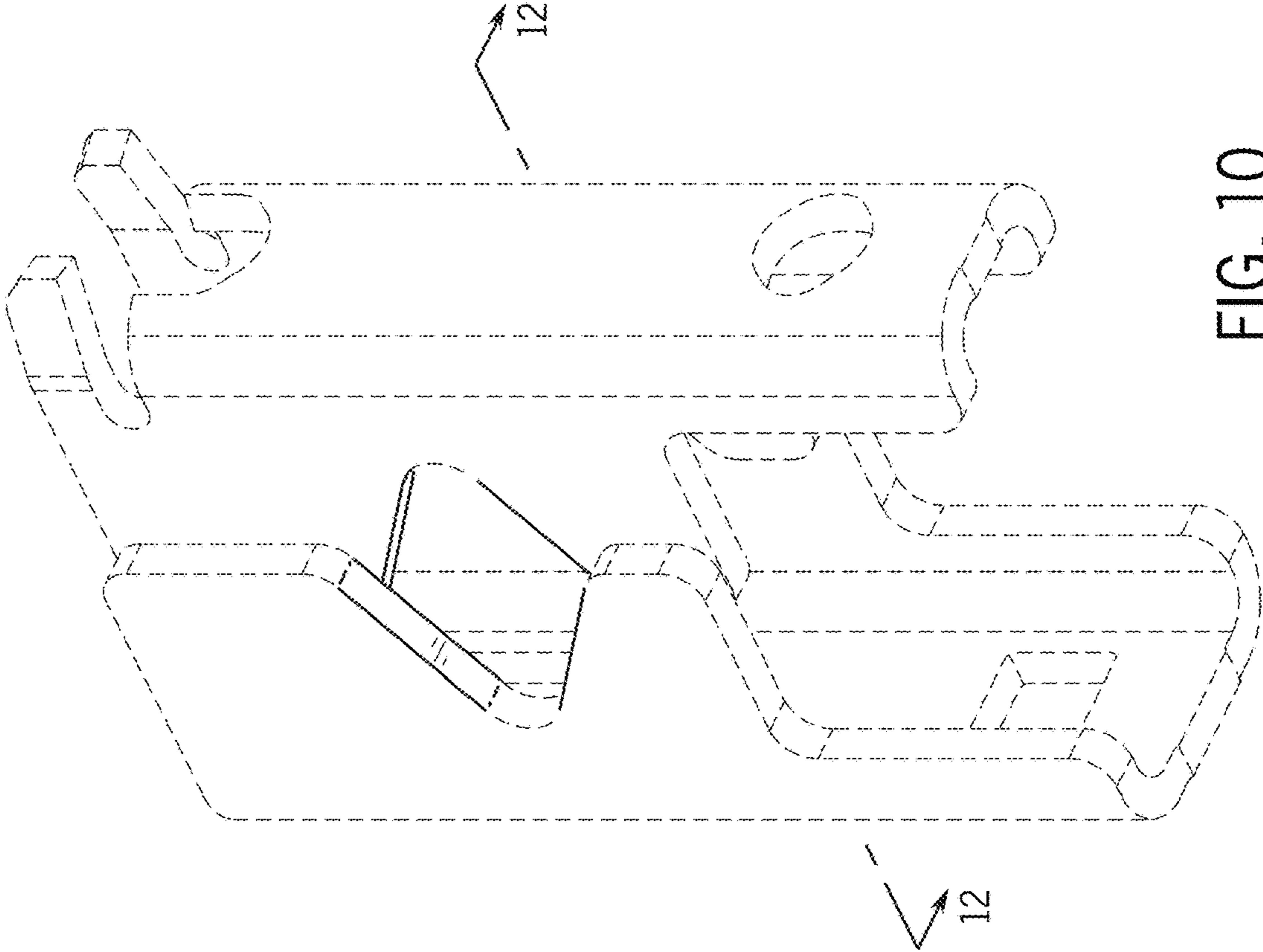


FIG. 10

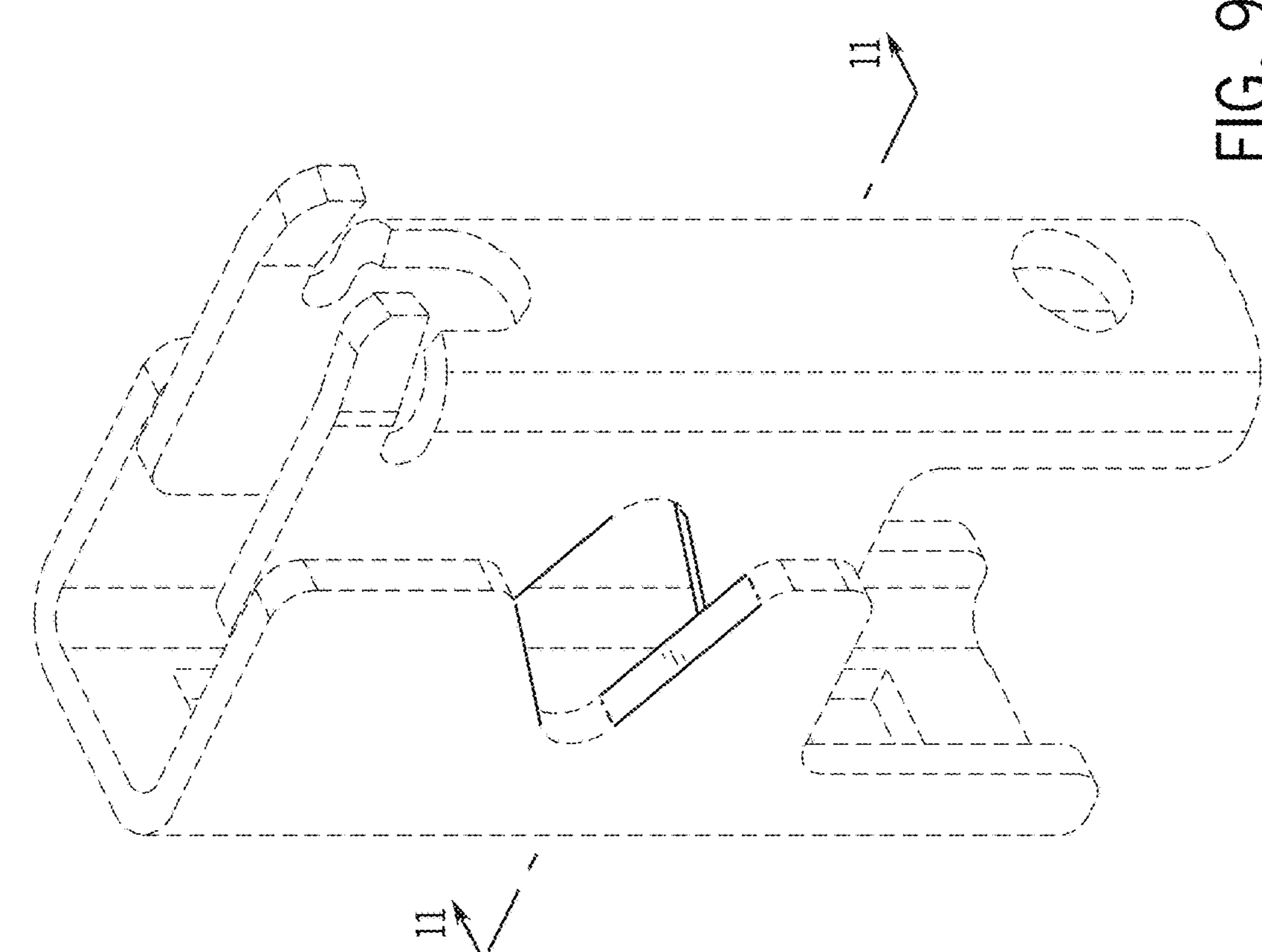


FIG. 9

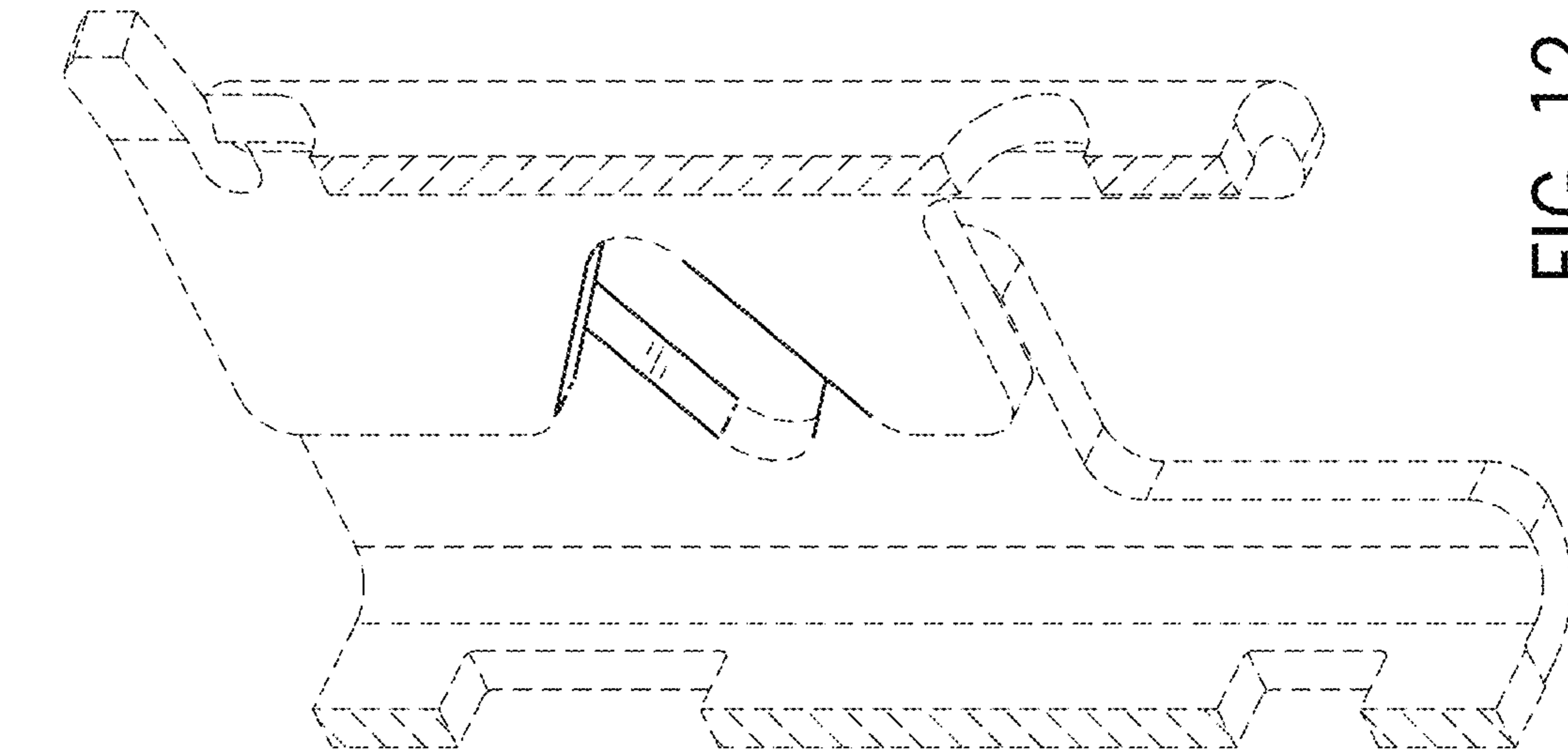


FIG. 12

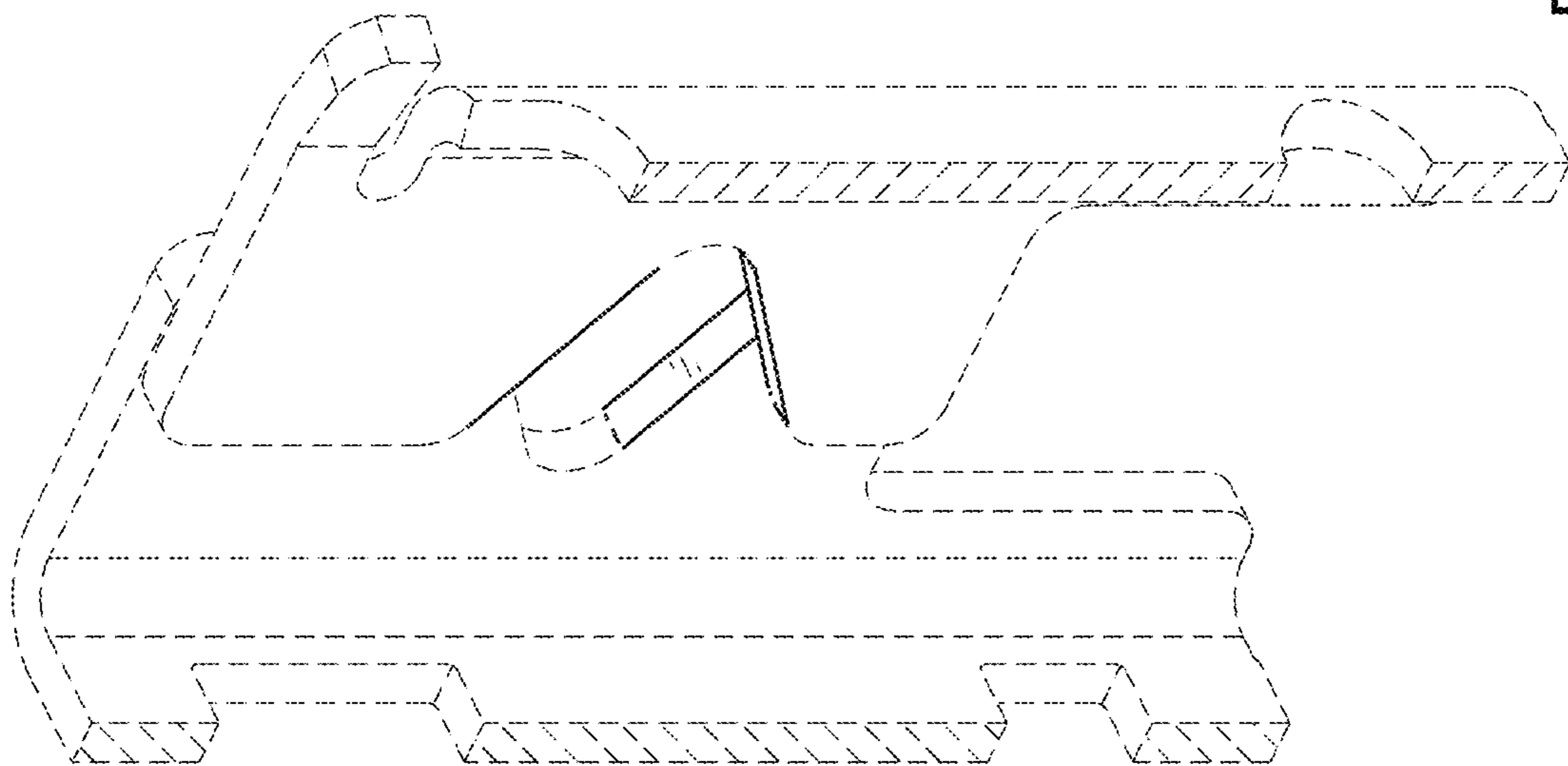


FIG. 11