



US00D975528S

(12) **United States Design Patent**
Wang

(10) **Patent No.:** **US D975,528 S**
(45) **Date of Patent:** **** Jan. 17, 2023**

(54) **DISPLAY HOOK**
(71) Applicant: **CENTRESKY CRAFTS (SHANTOU) CO., LTD**, Shan Tou (CN)
(72) Inventor: **Ruisheng Wang**, Shantou (CN)
(**) Term: **15 Years**
(21) Appl. No.: **29/843,239**
(22) Filed: **Jun. 20, 2022**

6,234,436 B1 * 5/2001 Kump A47F 5/0823
248/220.21
D582,686 S 12/2008 Belokin
D606,847 S * 12/2009 Rataiczak, III D8/367
D760,068 S 6/2016 Sehl
9,993,094 B1 * 6/2018 Franzone, Jr. A47F 5/0807
D885,771 S 6/2020 Hughes et al.
D918,024 S * 5/2021 Landgren D8/380
2010/0264102 A1 * 10/2010 Barkdoll A47F 5/0823
211/106.01
2018/0023759 A1 * 1/2018 Stender F16M 13/02
248/71
2018/0116427 A1 * 5/2018 Gupta F16M 13/022
2019/0290023 A1 * 9/2019 Ma A47F 5/0861

(30) **Foreign Application Priority Data**
Apr. 12, 2022 (CN) 202230202380.2
(51) **LOC (14) Cl.** **08-05**
(52) **U.S. Cl.**
USPC **D8/380; D8/367**
(58) **Field of Classification Search**
USPC D8/367, 373, 380, 381; D6/323, 567
CPC Y10S 16/43; A47B 57/42; A47B 96/061;
A47B 96/028; A47B 57/52; A47B
2220/0041; A47B 57/425; A47B 96/068;
A47F 5/0823; A47F 5/01; A47F 5/0869;
A47F 5/13; A47F 5/14
See application file for complete search history.

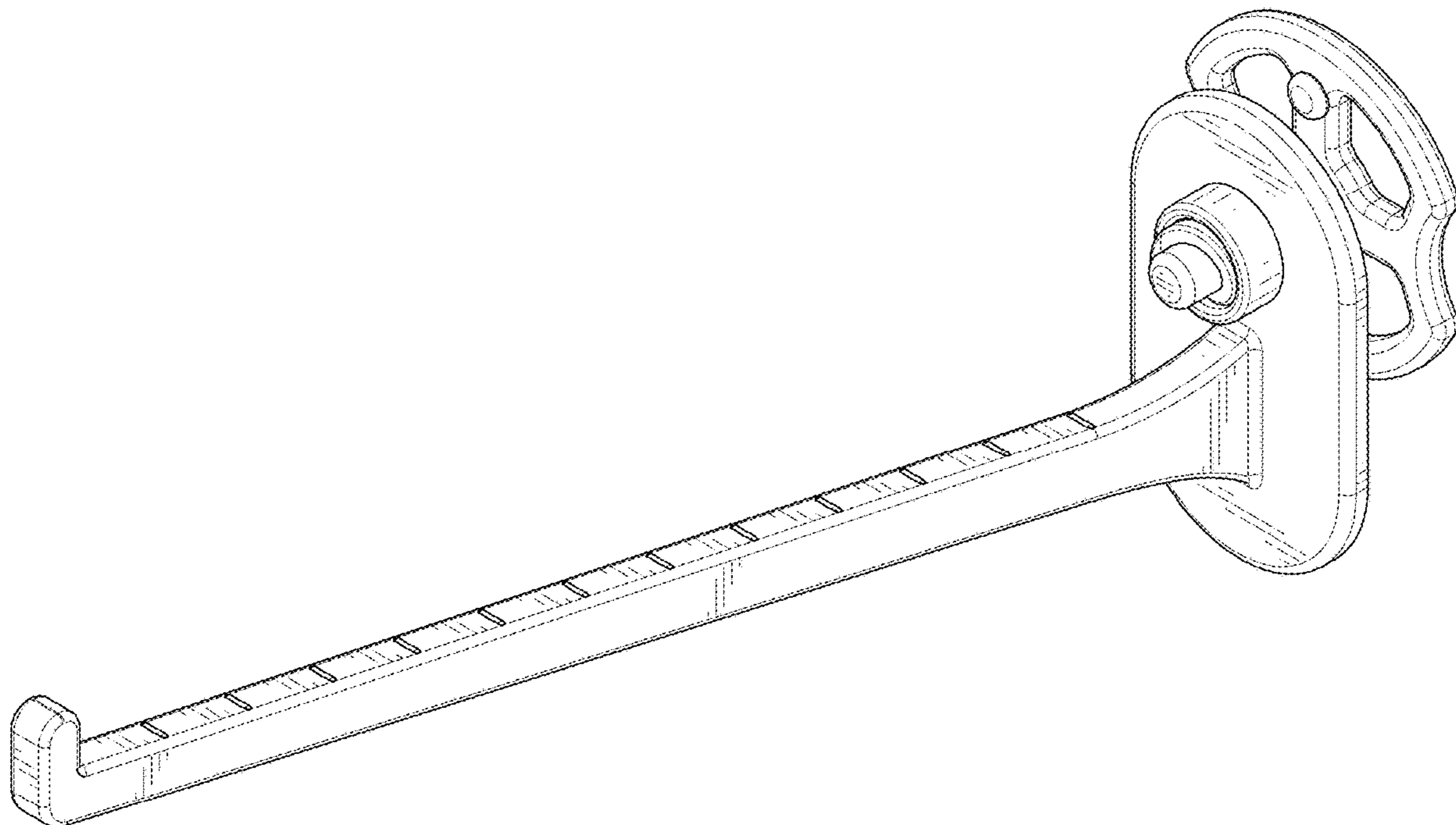
* cited by examiner
Primary Examiner — Lauren R Calve
(74) *Attorney, Agent, or Firm* — Rumit Ranjit Kanakia

(56) **References Cited**
U.S. PATENT DOCUMENTS
D300,003 S * 2/1989 Hutchison D8/367
D322,555 S * 12/1991 Kokenge D8/380
5,647,566 A * 7/1997 Kump A47F 5/0823
248/220.21

(57) **CLAIM**
The ornamental design for a display hook, as shown and described.

DESCRIPTION
FIG. 1 is a first perspective view of a display hook showing my new design;
FIG. 2 is a second perspective view thereof;
FIG. 3 is a front view thereof;
FIG. 4 is a back view thereof;
FIG. 5 is a left side view thereof;
FIG. 6 is a right side view thereof;
FIG. 7 is a top view thereof; and,
FIG. 8 is a bottom view thereof.

1 Claim, 8 Drawing Sheets



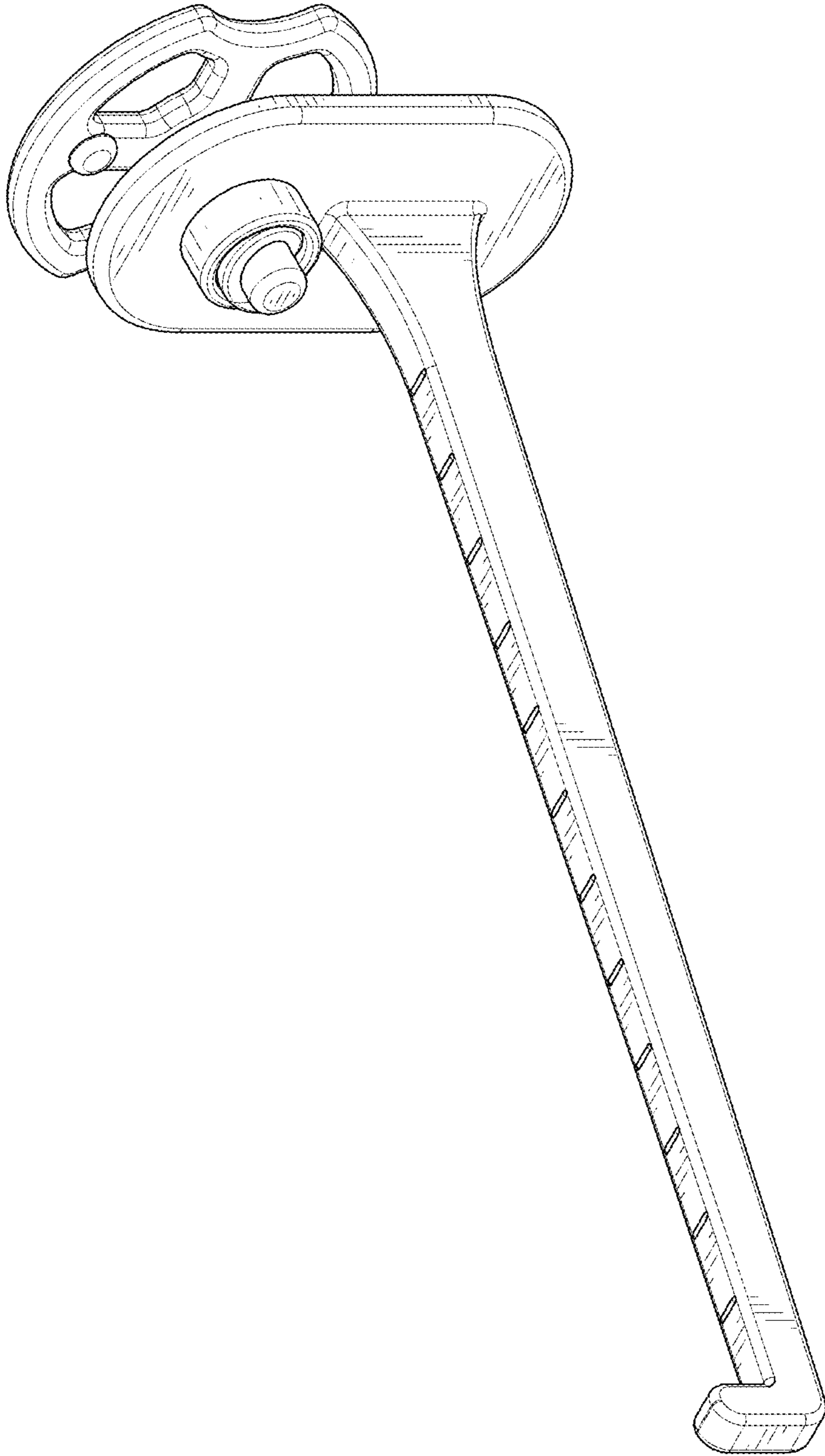


FIG. 1

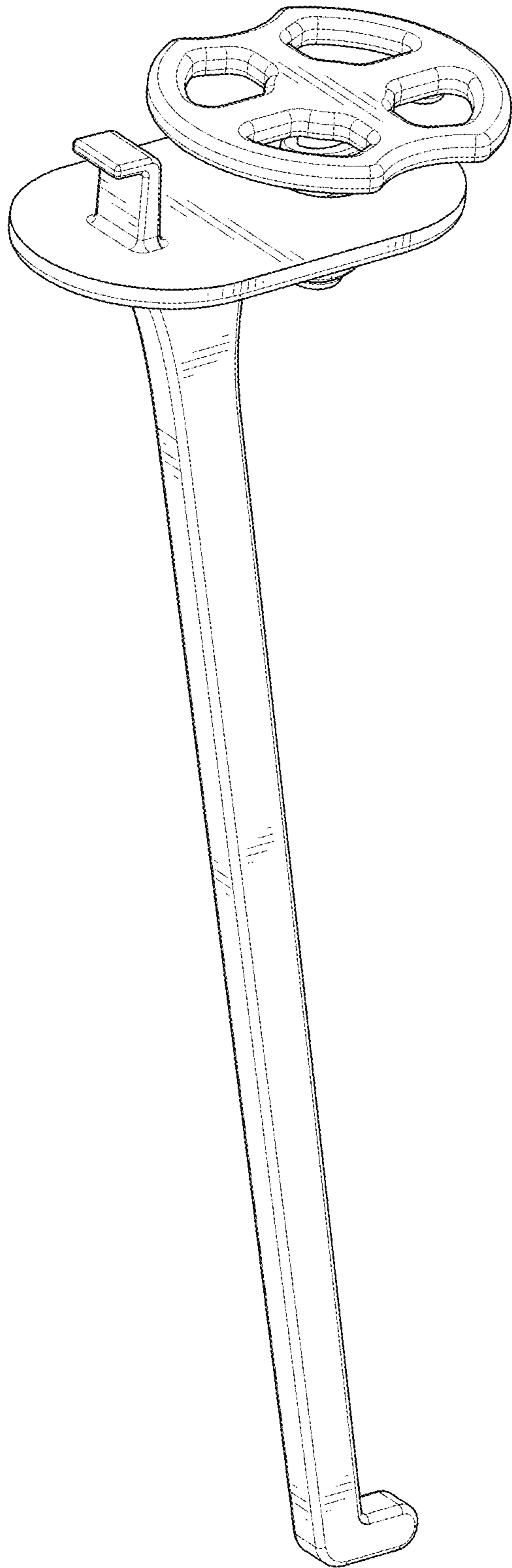


FIG. 2

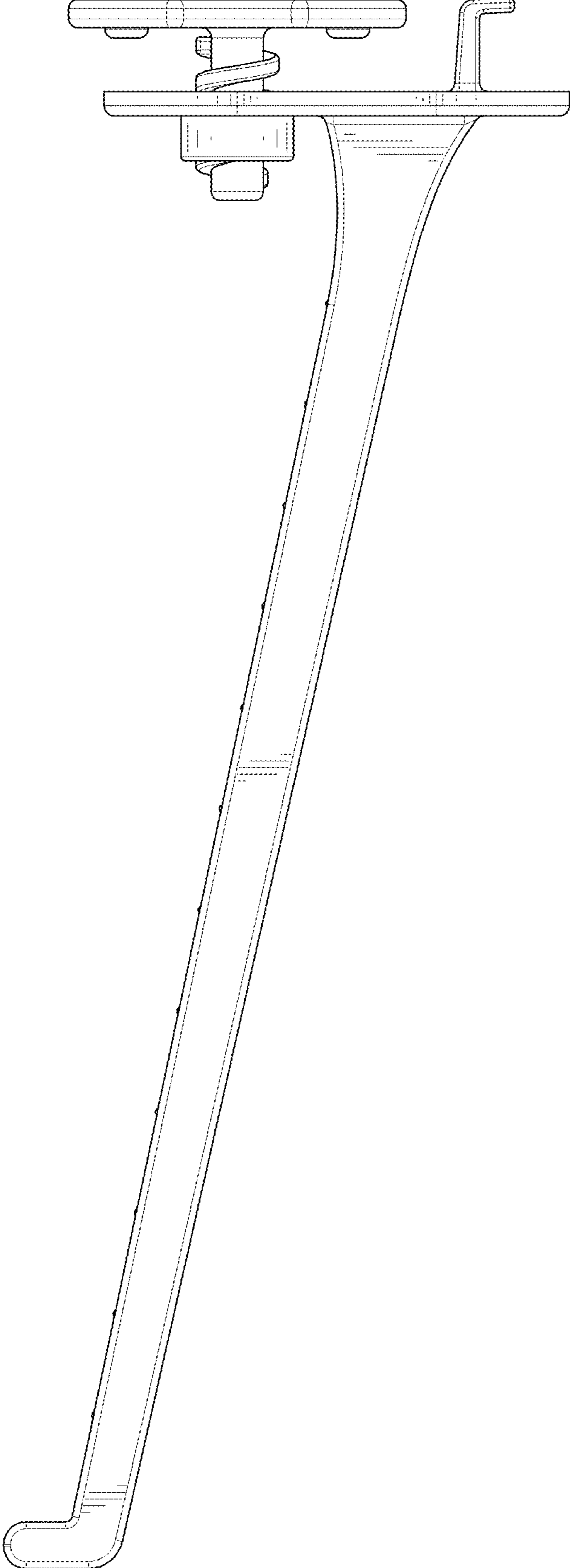


FIG. 3

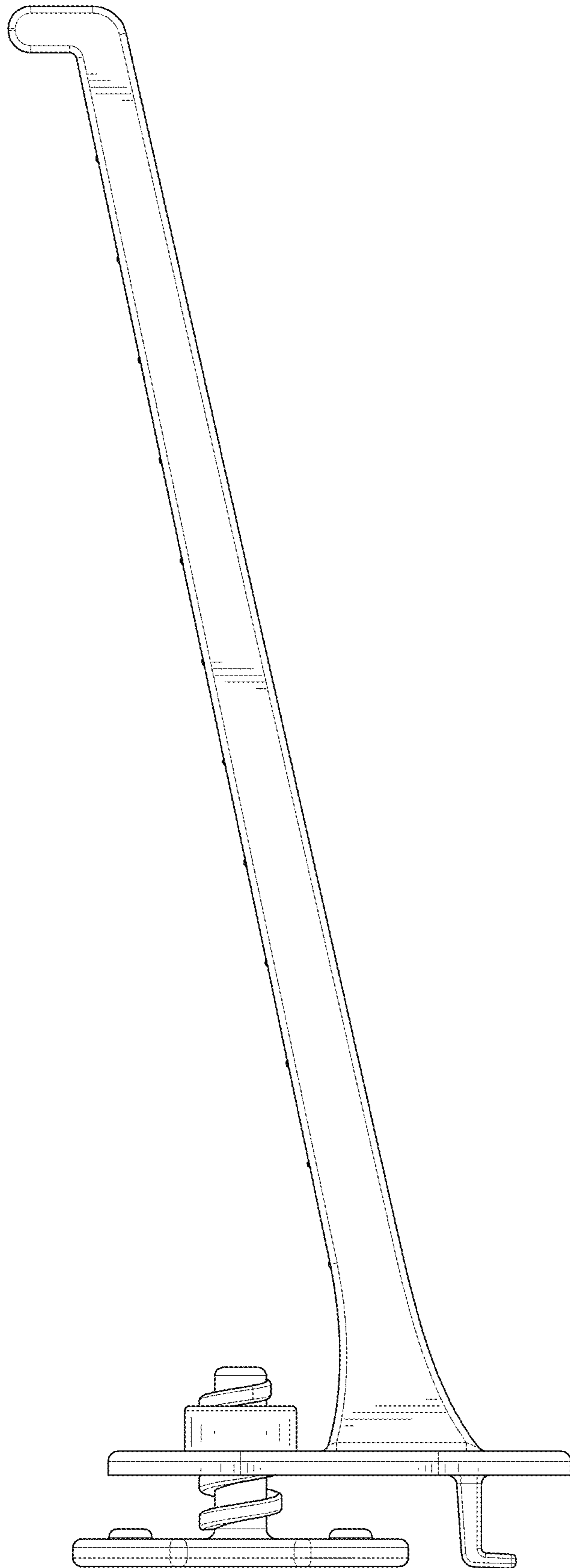


FIG. 4

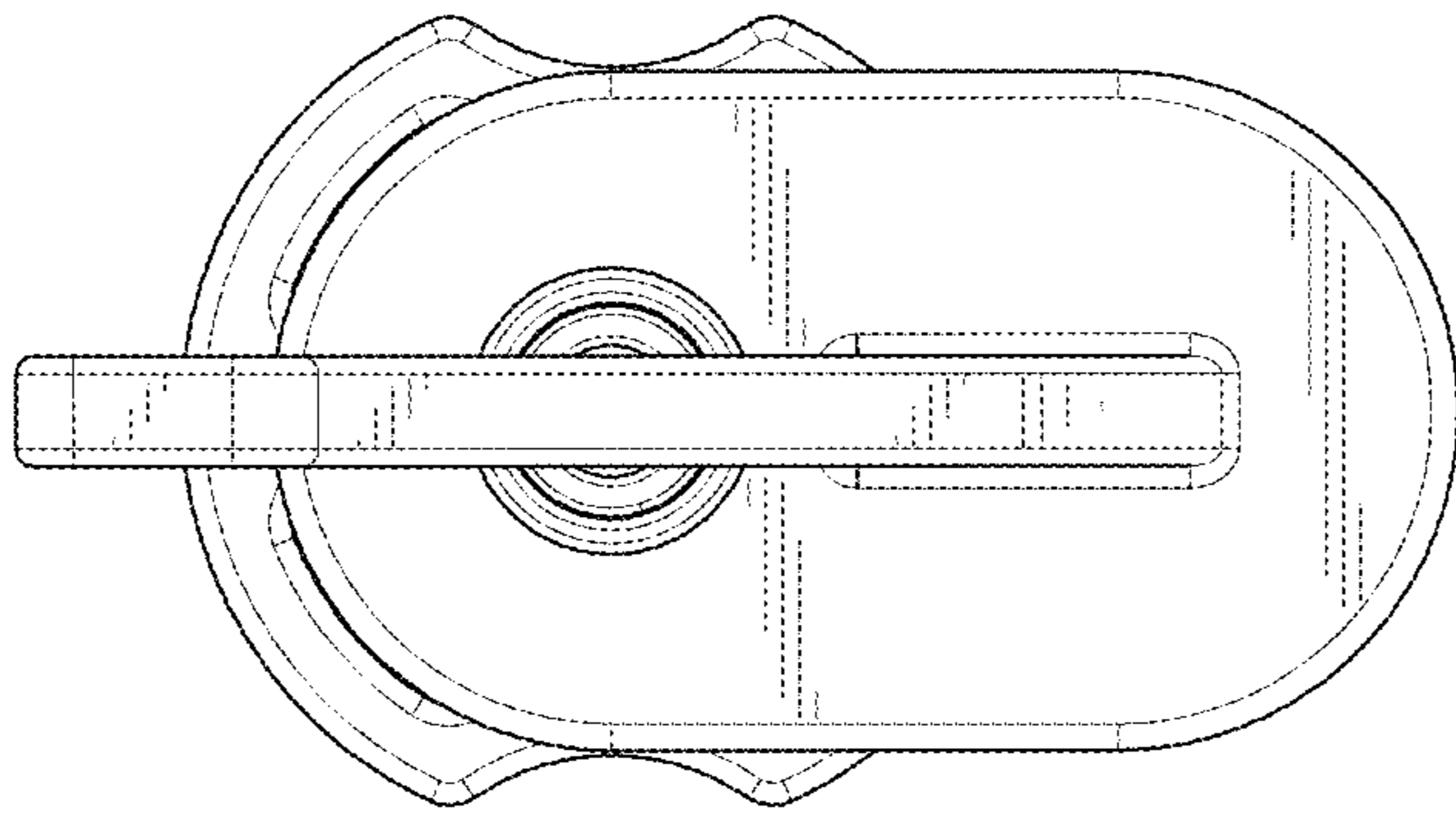


FIG. 5

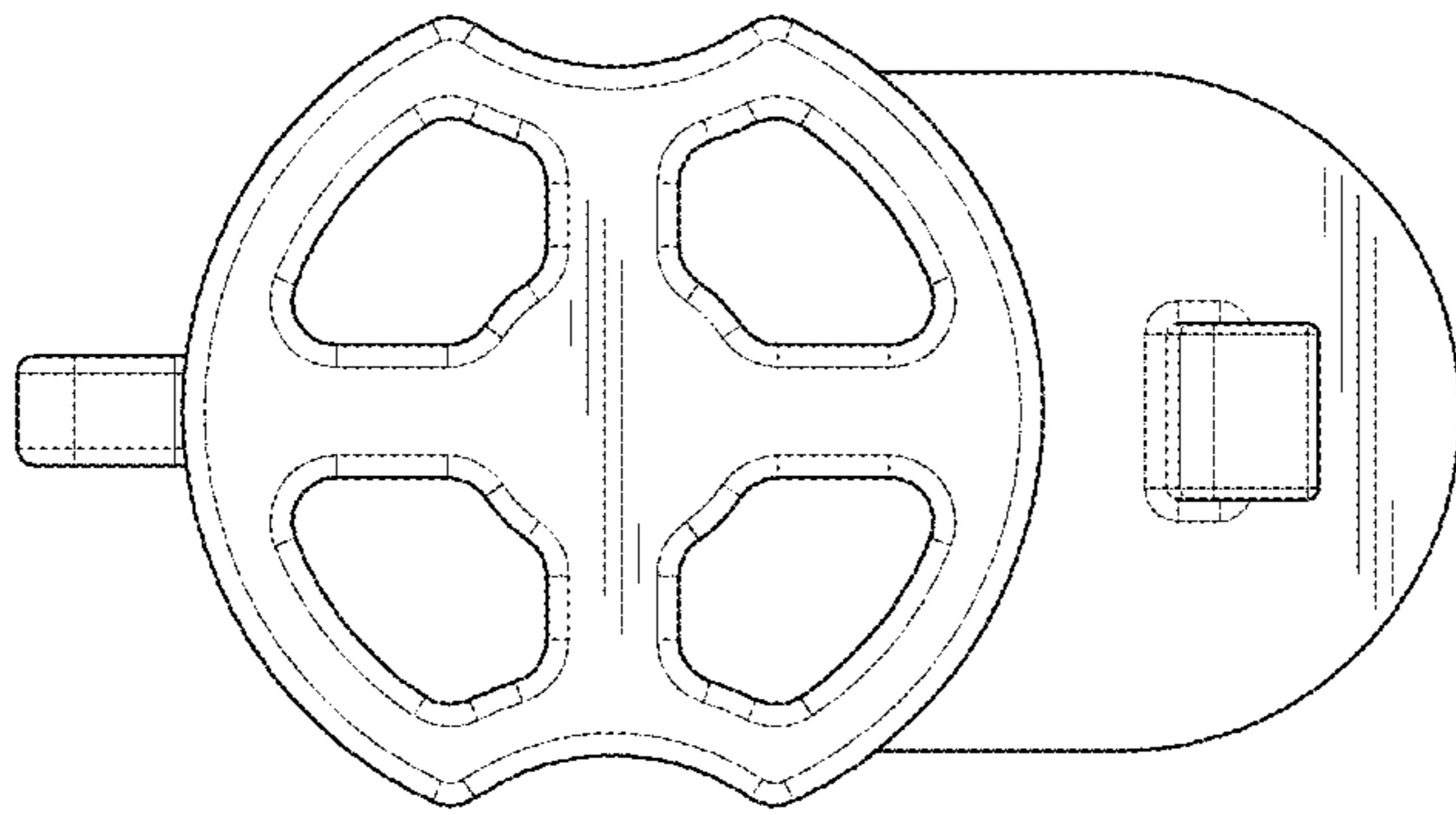


FIG. 6

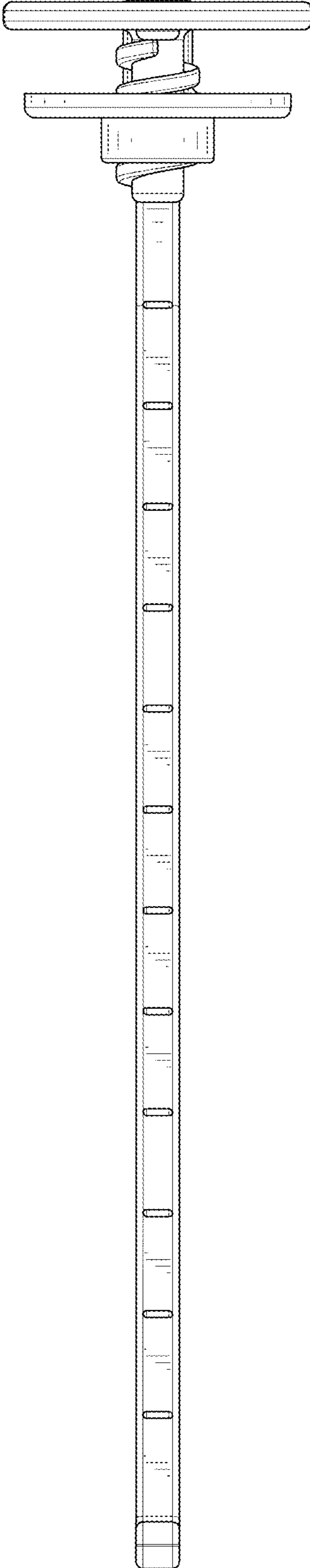


FIG. 7

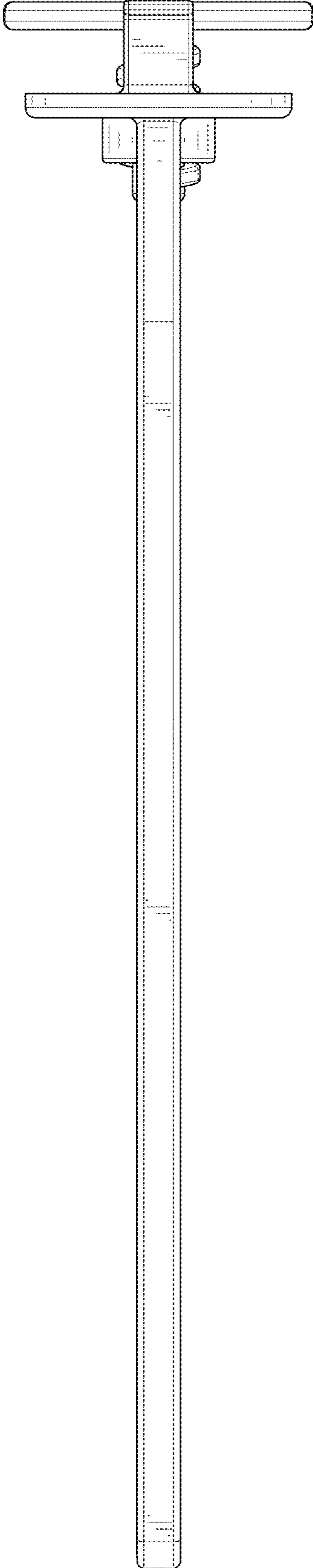


FIG. 8