



US00D975527S

(12) **United States Design Patent**
Ye

(10) **Patent No.:** **US D975,527 S**

(45) **Date of Patent:** **** Jan. 17, 2023**

(54) **END CAP FOR CURVED SHOWER CURTAIN ROD**

(71) Applicant: **Zhen Ye**, Ganzhou (CN)

(72) Inventor: **Zhen Ye**, Ganzhou (CN)

(73) Assignee: **Zhen Ye**, Ganzhou (CN)

(**) Term: **15 Years**

(21) Appl. No.: **29/856,184**

(22) Filed: **Oct. 11, 2022**

(51) **LOC (14) Cl.** **08-11**

(52) **U.S. Cl.**
USPC **D8/378**

(58) **Field of Classification Search**
USPC D8/363, 378, 376
CPC A47H 1/142; A47H 1/022; A47H 1/102;
F16B 7/1427

See application file for complete search history.

(56) **References Cited**

U.S. PATENT DOCUMENTS

D119,576 S	*	3/1940	Kirsch	D8/376
D426,142 S	*	6/2000	Moore	D8/363
D544,786 S	*	6/2007	Barrese	D8/376
D552,455 S	*	10/2007	Moore	D8/363
D567,637 S	*	4/2008	Moore	D8/363

D590,698 S	*	4/2009	Moore	D8/363
D633,780 S	*	3/2011	Barrese	D8/363
D667,295 S	*	9/2012	Harwanko	D8/376
D681,422 S	*	5/2013	Lindo	D8/376
D684,037 S	*	6/2013	Harwanko	D8/376
D691,030 S	*	10/2013	Lindo	D8/376
D746,667 S	*	1/2016	Vaccaro	D8/376
D864,701 S	*	10/2019	Huang	D8/376
2021/0378433 A1	*	12/2021	Berman	A47H 1/022

* cited by examiner

Primary Examiner — Keli L Hill

Assistant Examiner — Harold E Blackwell, II

(74) *Attorney, Agent, or Firm* — Nitin Kaushik

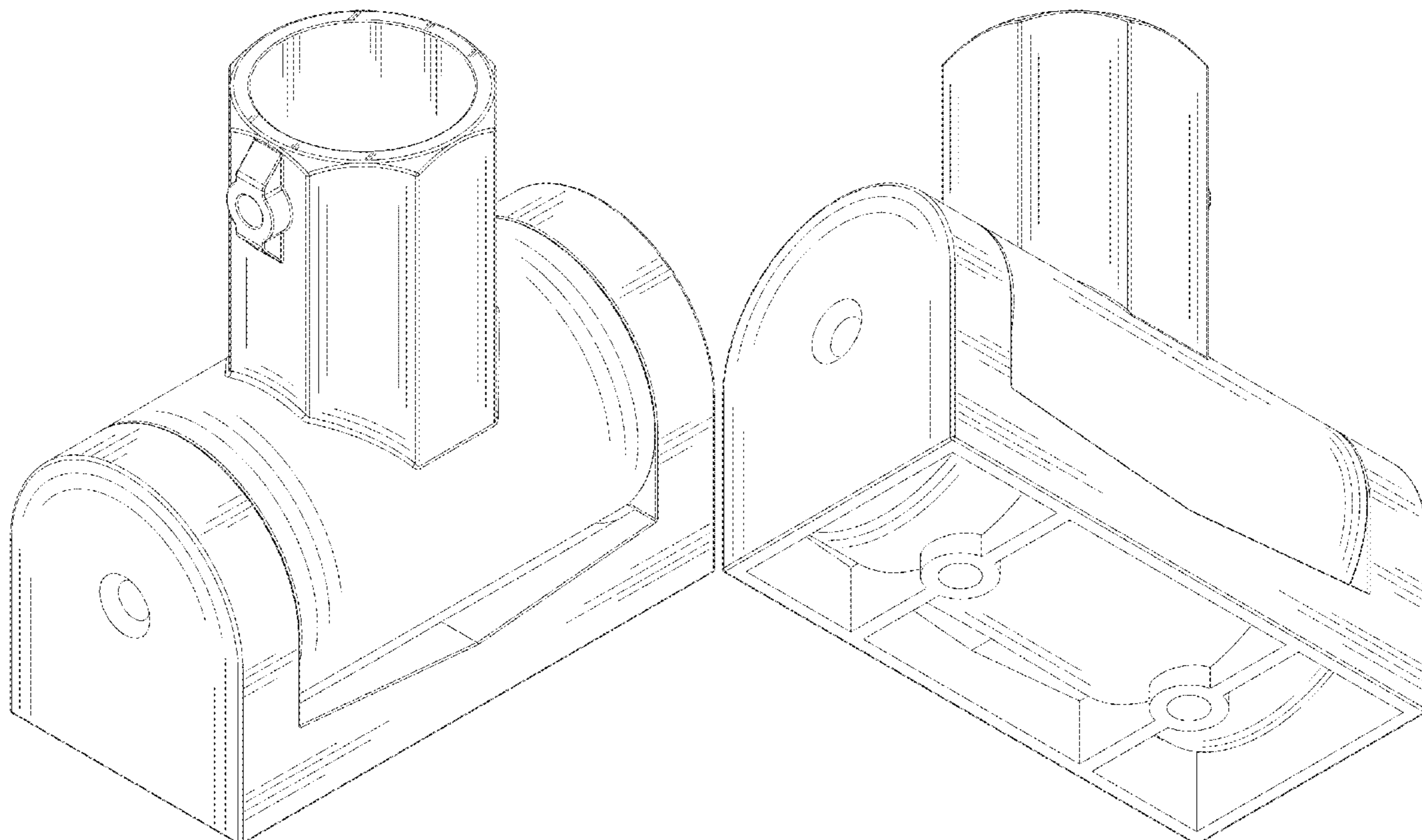
(57) **CLAIM**

The ornamental design for an end cap for curved shower curtain rod, as shown and described.

DESCRIPTION

FIG. 1 is a front view of an end cap for curved shower curtain rod, showing my new design;
FIG. 2 is a rear view thereof;
FIG. 3 is a left side view thereof;
FIG. 4 is a right side view thereof;
FIG. 5 is a top view thereof;
FIG. 6 is a bottom view thereof;
FIG. 7 is a top perspective view thereof; and,
FIG. 8 is a bottom perspective view thereof.

1 Claim, 8 Drawing Sheets



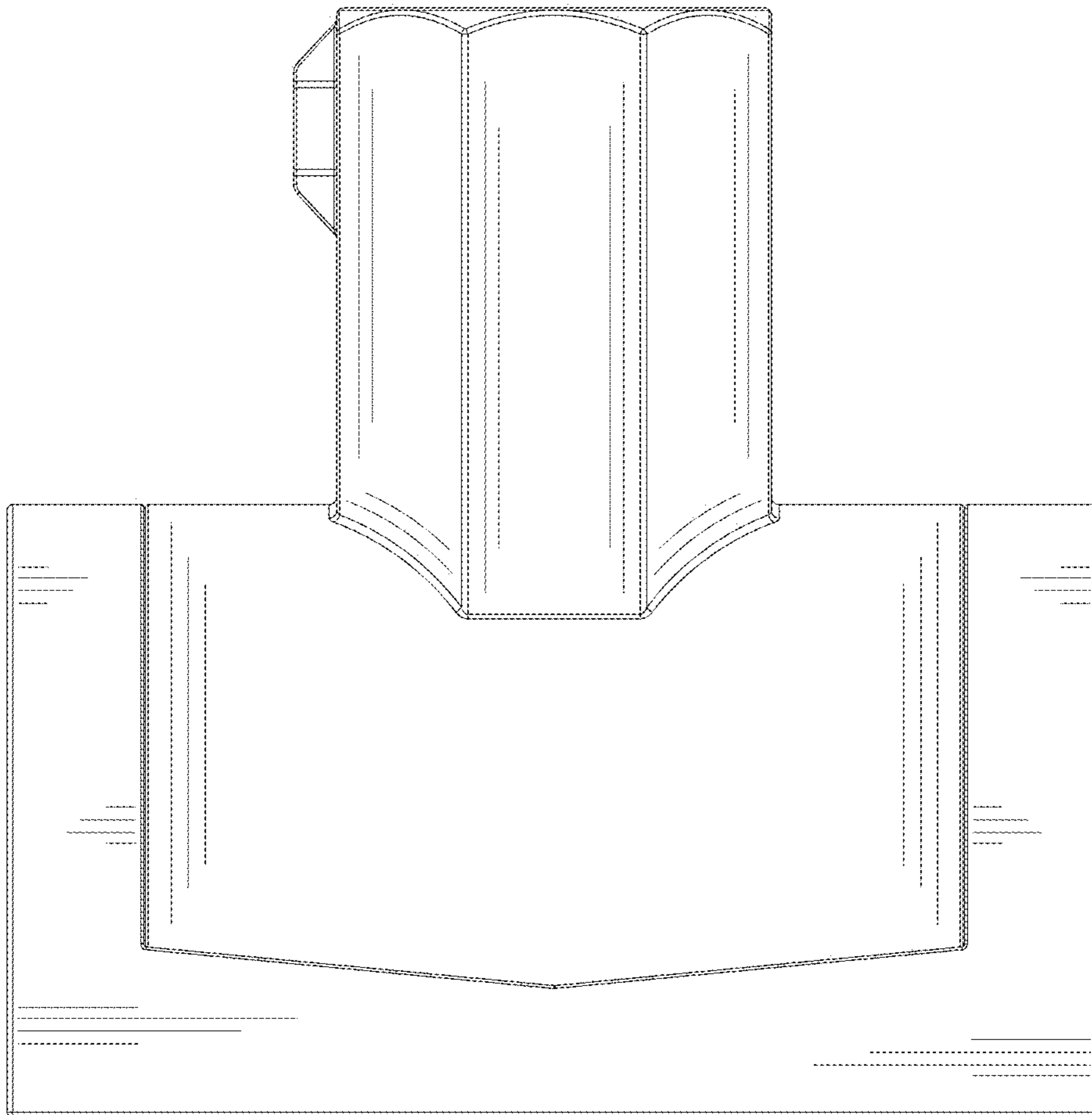


FIG. 1

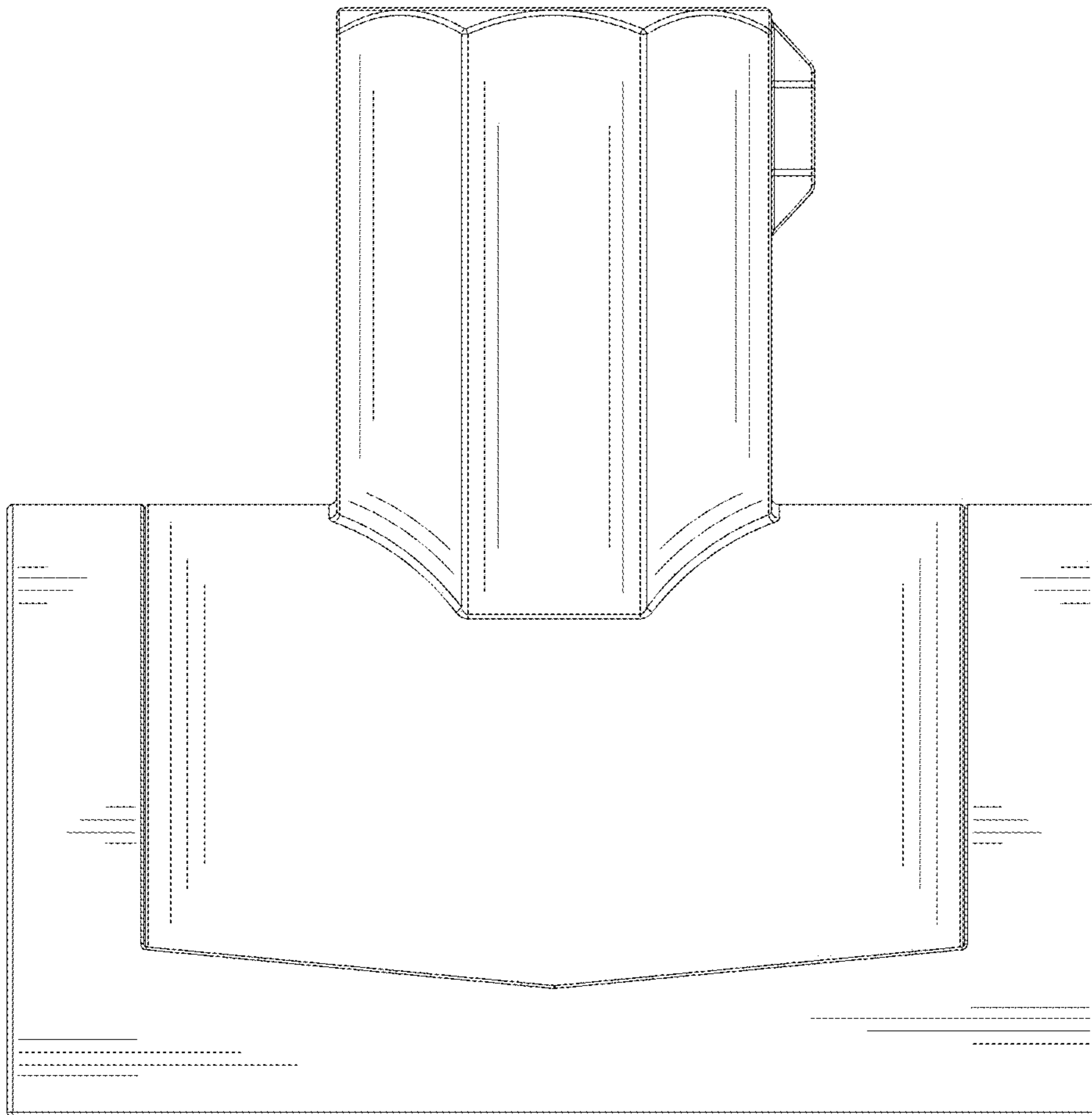


FIG. 2

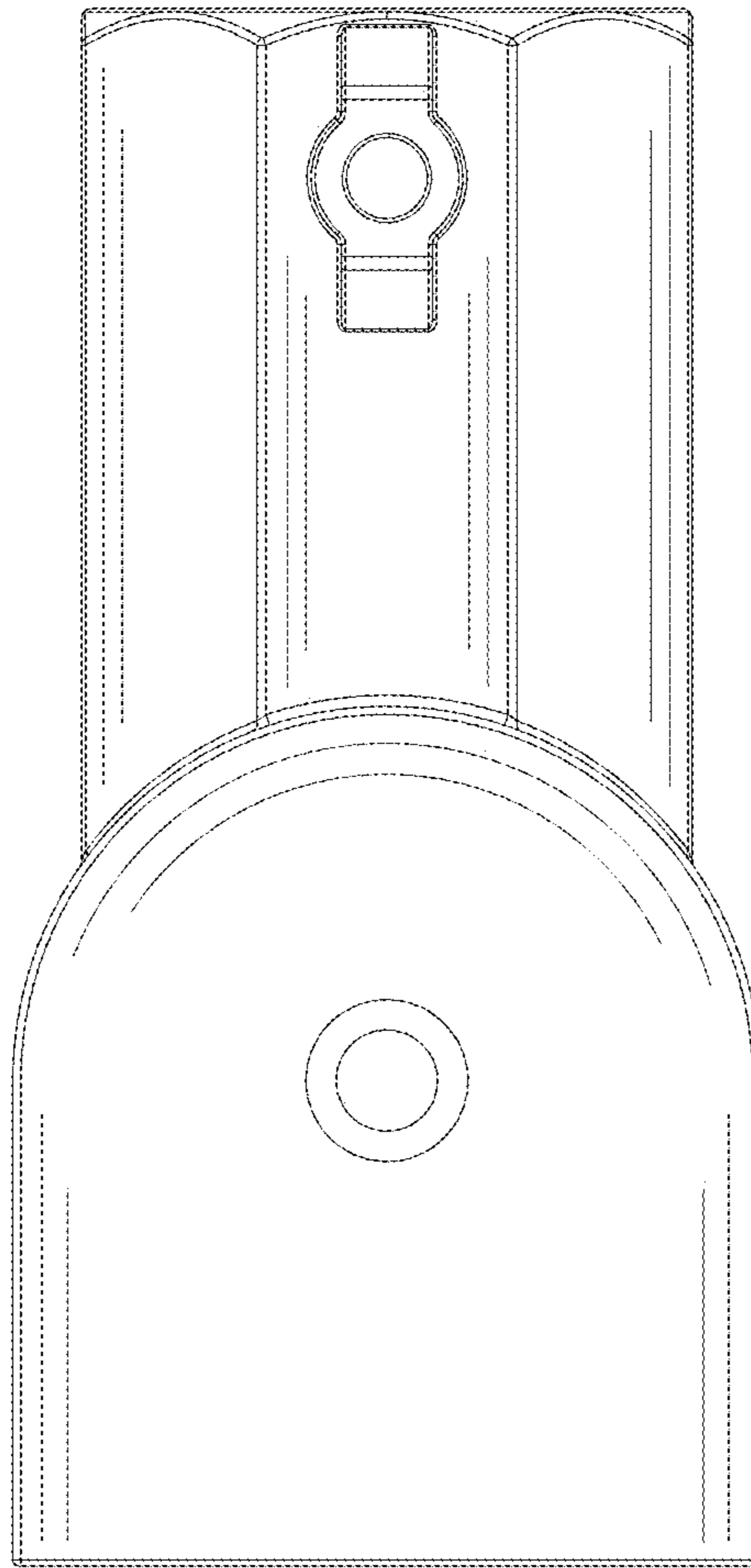


FIG. 3

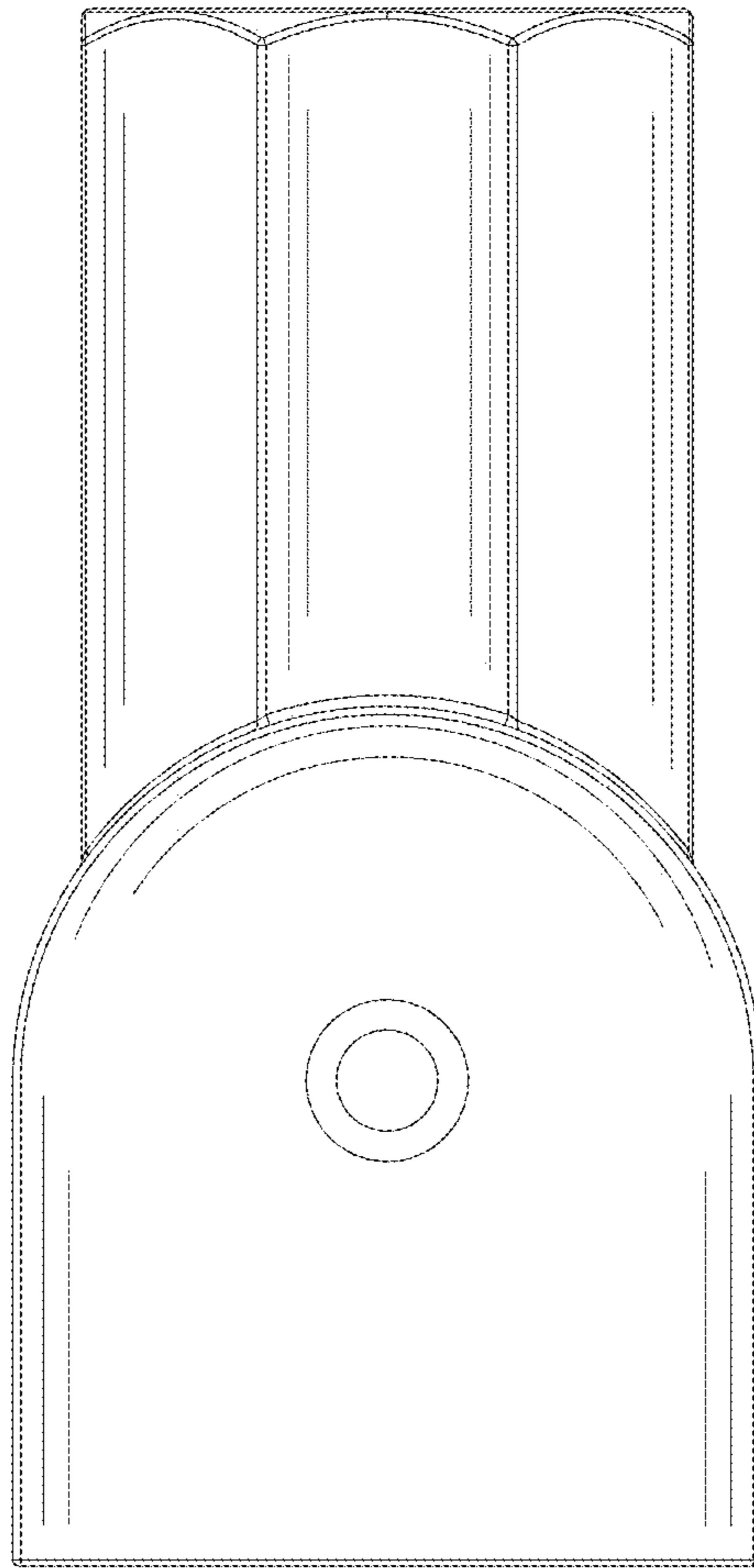


FIG. 4

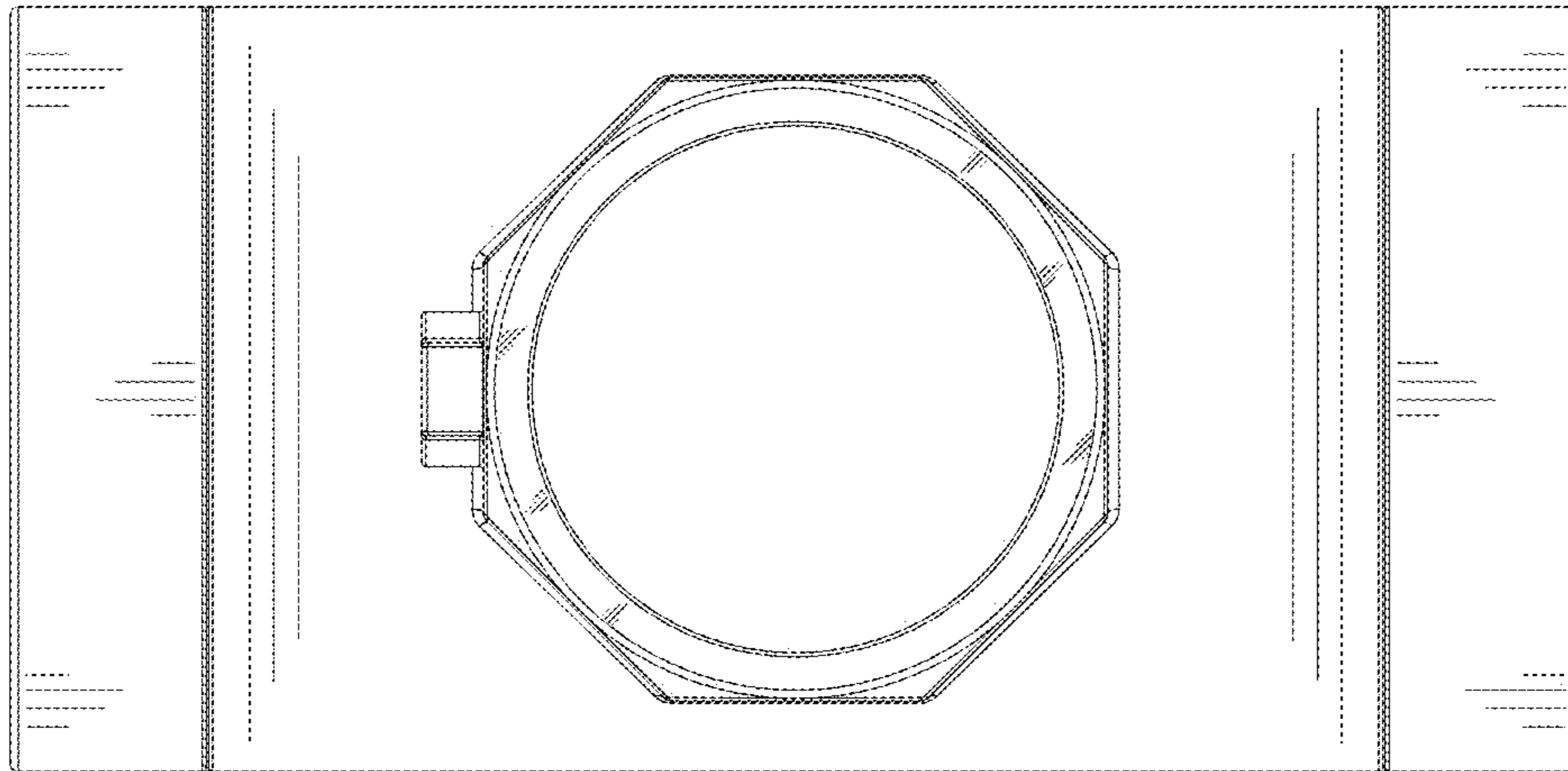


FIG. 5

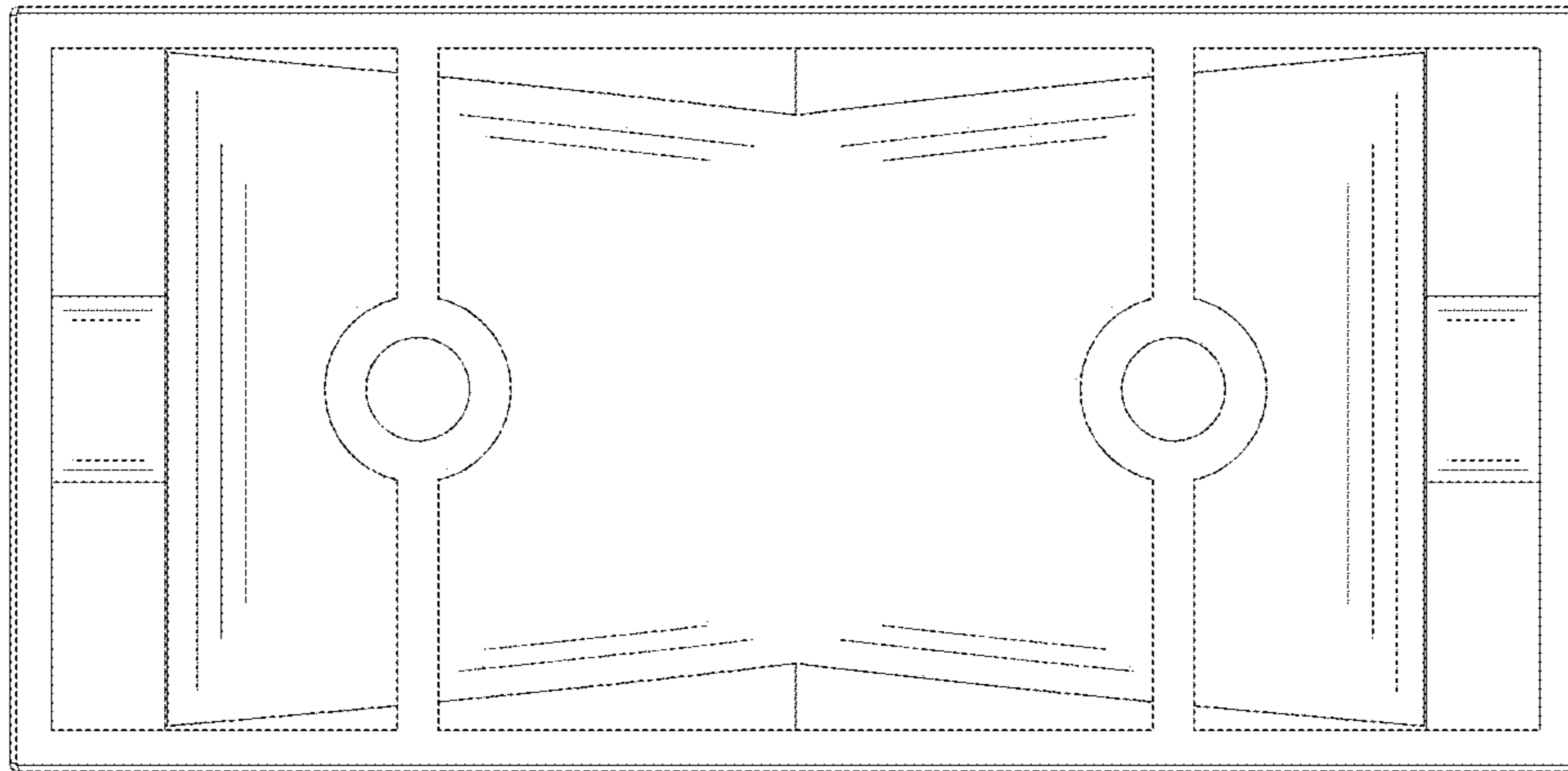


FIG. 6

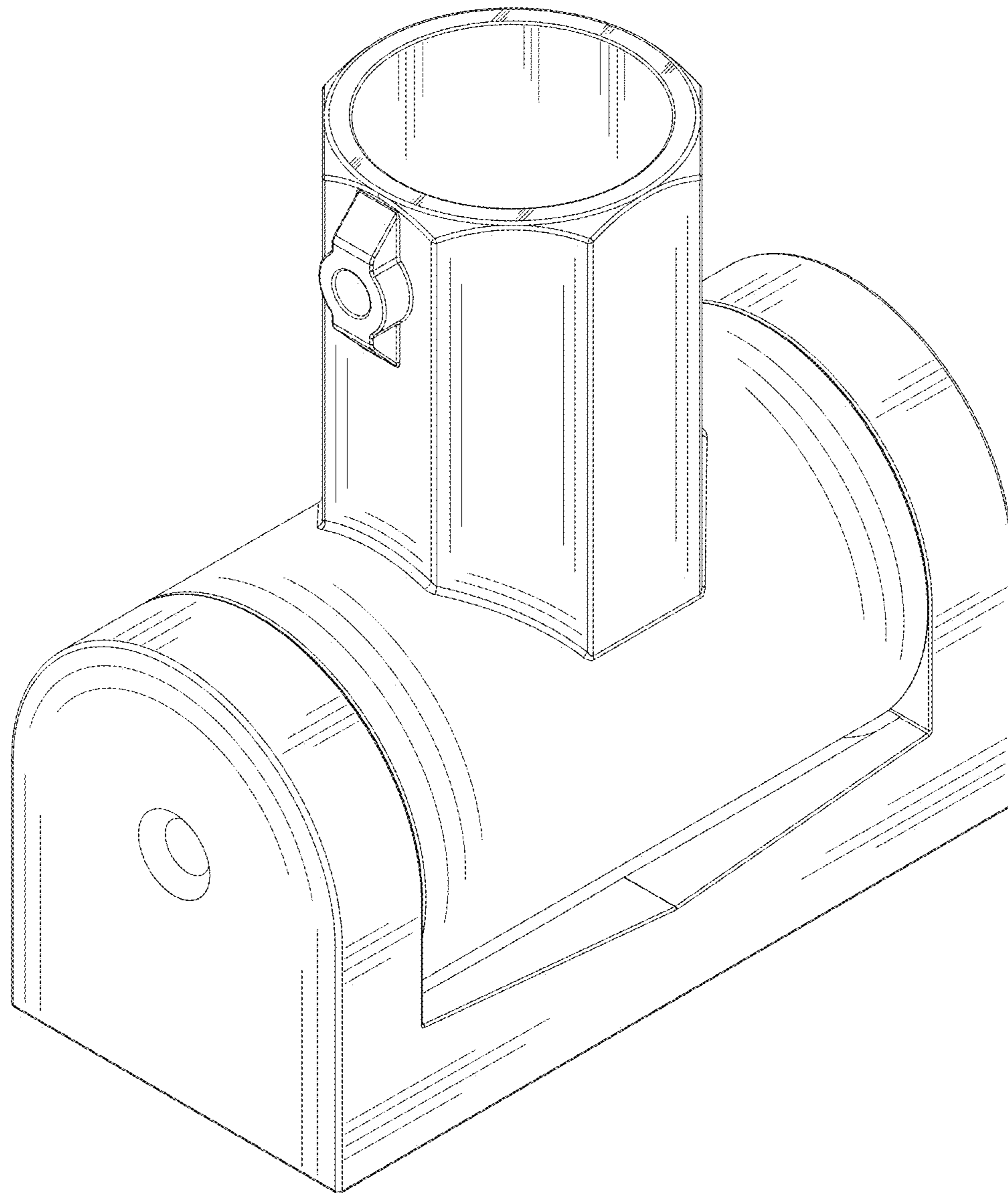


FIG. 7

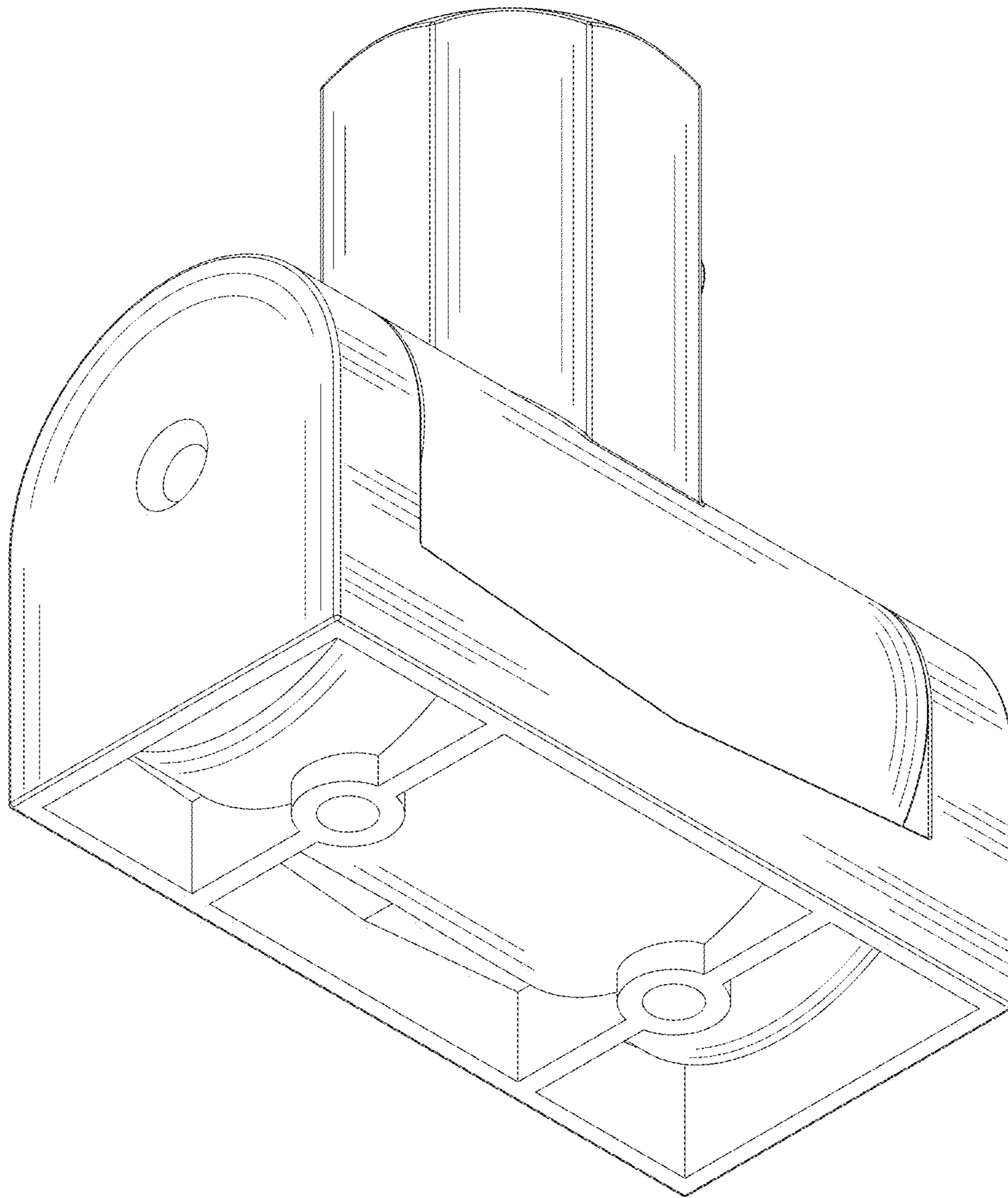


FIG. 8