



US00D975526S

(12) **United States Design Patent**
Zhang et al.

(10) **Patent No.:** **US D975,526 S**
(45) **Date of Patent:** **** Jan. 17, 2023**

(54) **SLIDE RAIL INSTALLATION RETAINER**

(71) Applicant: **ZHEJIANG BTL PRECISION
HARDWARE MANUFACTURING
CO., LTD**, Huzhou (CN)

(72) Inventors: **Xianfeng Zhang**, Yueqing (CN); **Yimin
Shi**, Yueqing (CN)

(73) Assignee: **ZHEJIANG BTL PRECISION
HARDWARE MANUFACTURING
CO., LTD**, Huzhou (CN)

(**) Term: **15 Years**

(21) Appl. No.: **29/851,543**

(22) Filed: **Aug. 30, 2022**

(30) **Foreign Application Priority Data**

Jul. 15, 2022 (CN) 202230451883.3

(51) **LOC (14) Cl.** **08-03**

(52) **U.S. Cl.**
USPC **D8/377**

(58) **Field of Classification Search**
USPC D8/377, 349, 354, 363, 380, 382;
D15/133, 143; D6/512, 513
See application file for complete search history.

(56) **References Cited**

U.S. PATENT DOCUMENTS

D381,439 S * 7/1997 Davies D25/164
D387,973 S * 12/1997 Layman D8/377
D425,734 S * 5/2000 Bauer D8/377
D640,123 S * 6/2011 Stearns D8/355
D694,985 S * 12/2013 Grover D99/8
D695,599 S * 12/2013 Rechberg D8/377
D834,732 S * 11/2018 Charette D25/133

D922,183 S * 6/2021 Scott D8/377
D926,024 S * 7/2021 Willows D8/377
D932,475 S * 10/2021 Jia D14/239
D935,058 S 11/2021 Bilge
D935,059 S 11/2021 Bilge
D961,370 S * 8/2022 Brusasco D8/377

* cited by examiner

Primary Examiner — Khawaja Anwar

(74) *Attorney, Agent, or Firm* — Daniel M. Cohn;
Howard M. Cohn

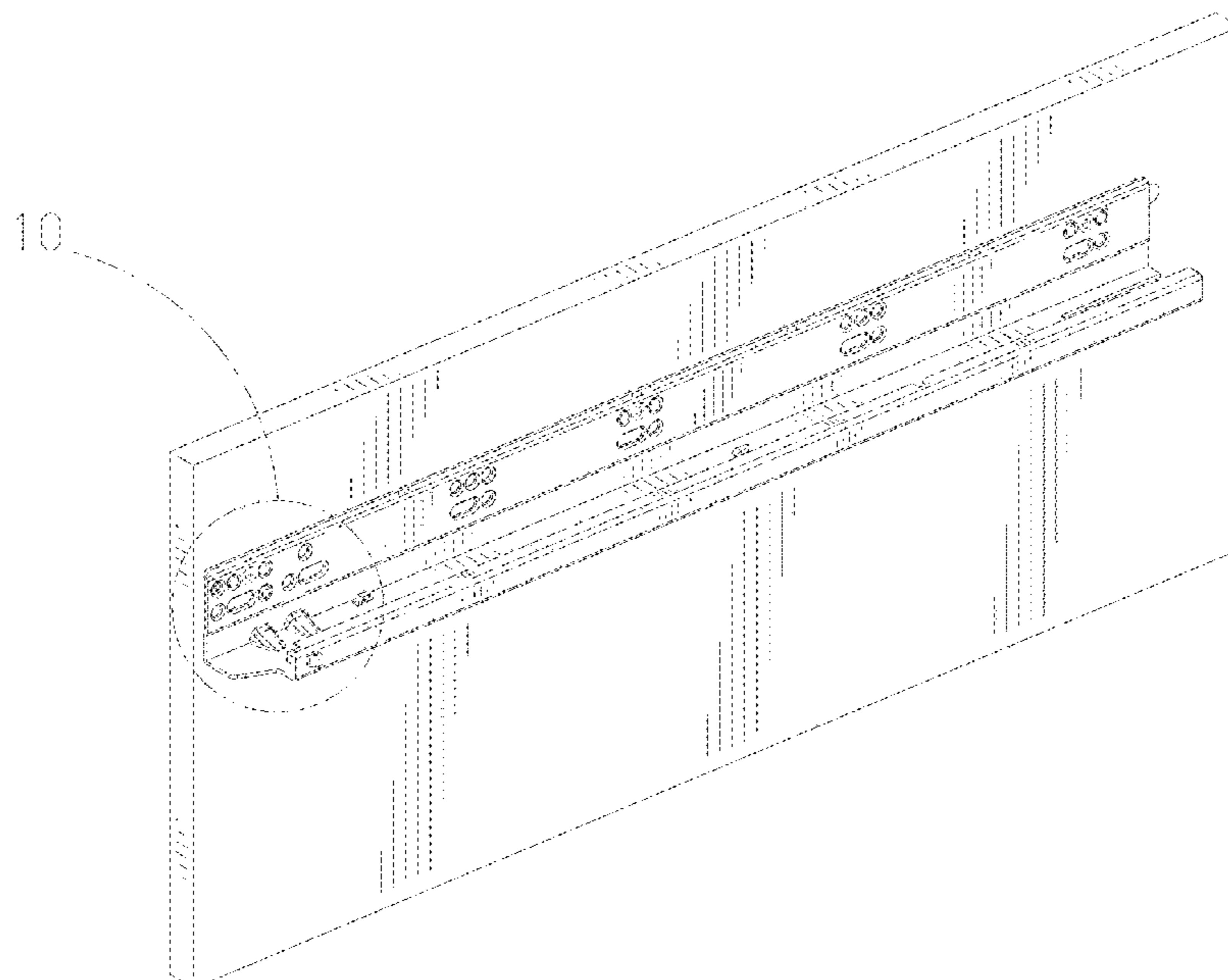
(57) **CLAIM**

The ornamental design for a slide rail installation retainer, as shown and described.

DESCRIPTION

FIG. 1 is a perspective view of a slide rail installation retainer showing our new design;
FIG. 2 is another perspective view thereof;
FIG. 3 is a front elevational view thereof;
FIG. 4 is a rear elevational view thereof;
FIG. 5 is a left side elevational view thereof;
FIG. 6 is a right side elevational view thereof;
FIG. 7 is a top plan view thereof;
FIG. 8 is a bottom plan view thereof;
FIG. 9 is a perspective view of the slide rail installation retainer where the slide rail installation retainer is in a configuration of use;
FIG. 10 is an enlarged view of portion 10 shown in FIG. 1; and,
FIG. 11 is an enlarged view of portion 11 shown in FIG. 9.
The dash-dash broken lines in the drawings depict portions of the slide rail installation retainer that form no part of the claimed design. The dot-dash broken lines represent boundaries of the enlarged portions and form no part of the claimed design.

1 Claim, 11 Drawing Sheets



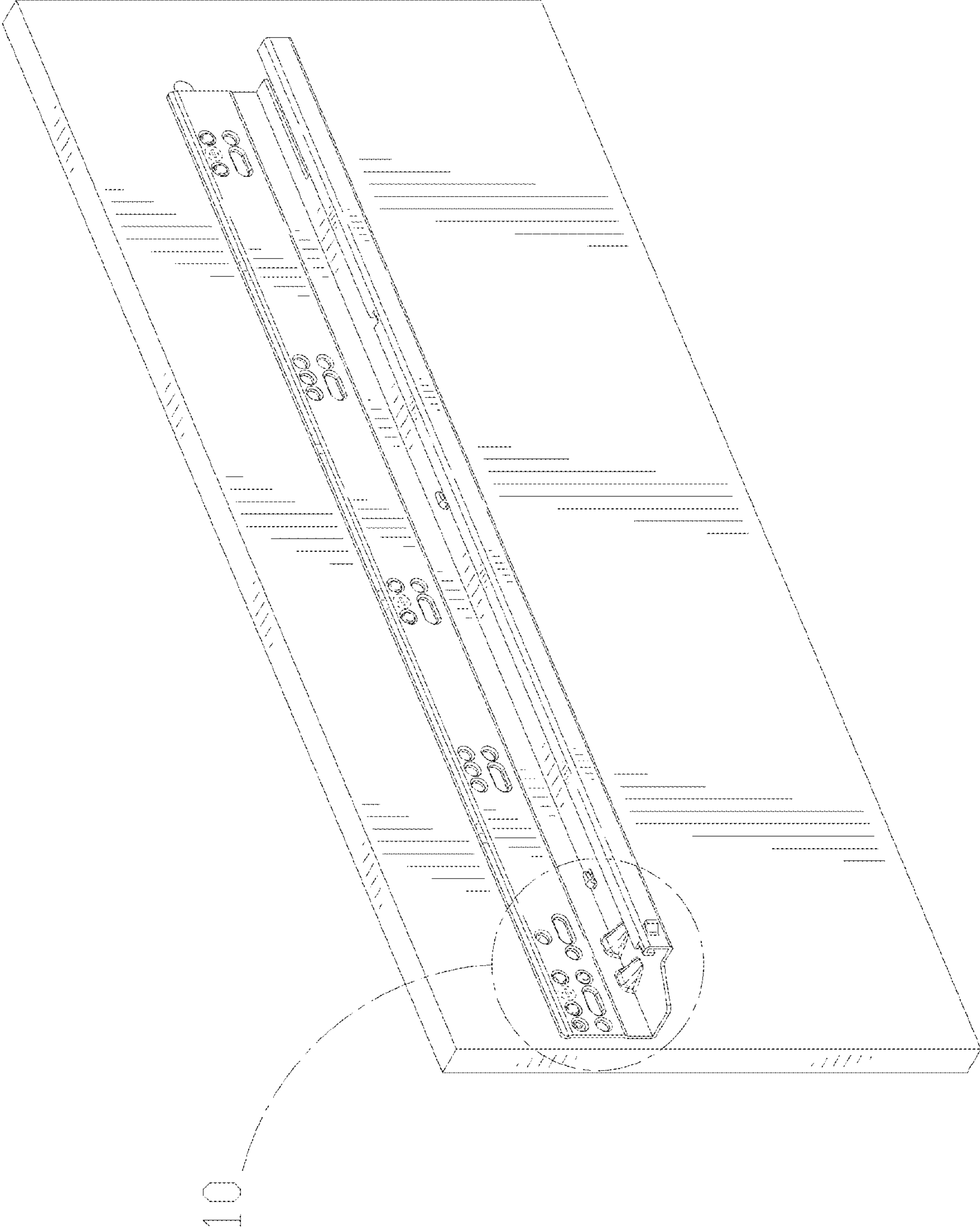


FIG. 1

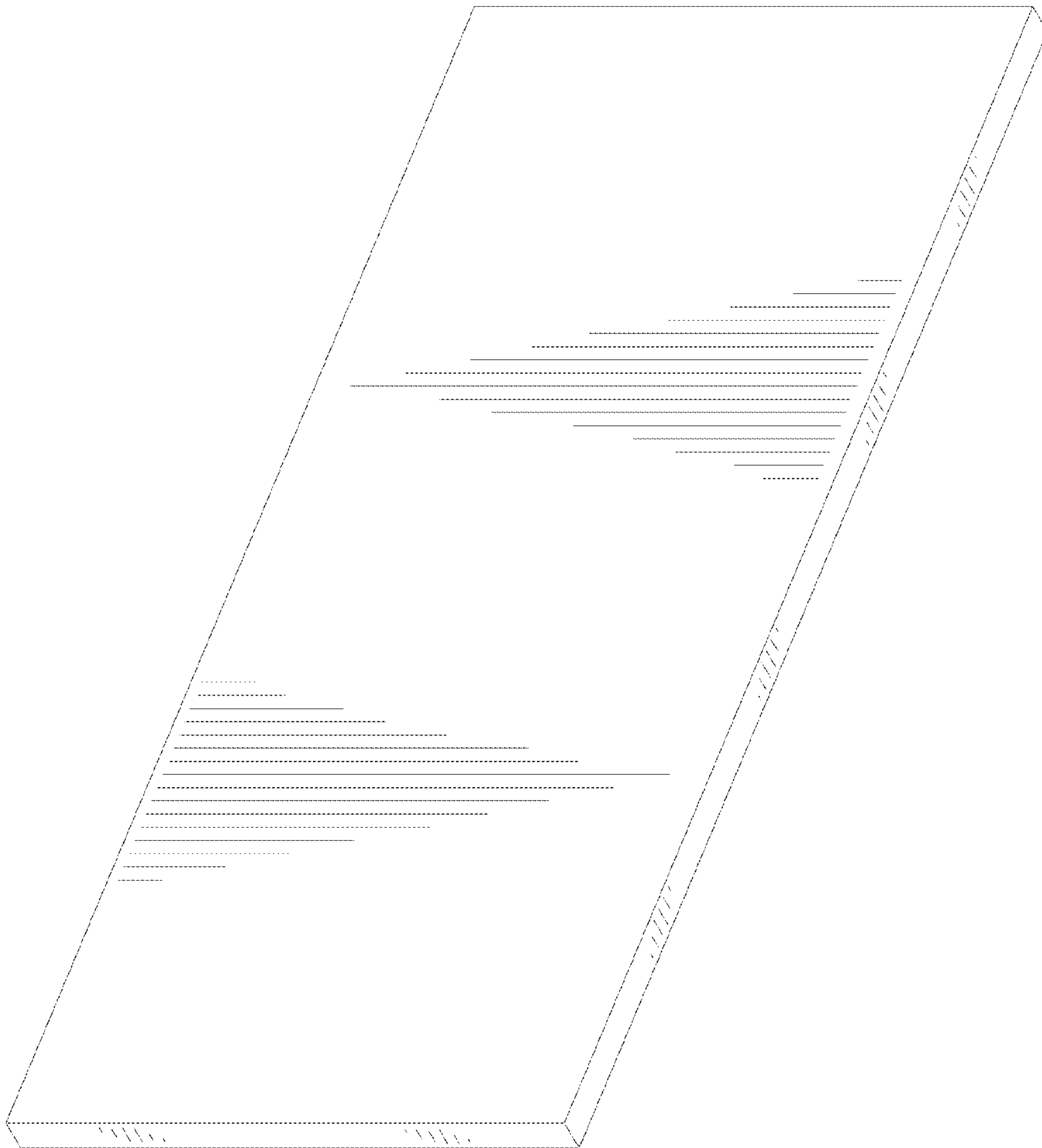


FIG. 2

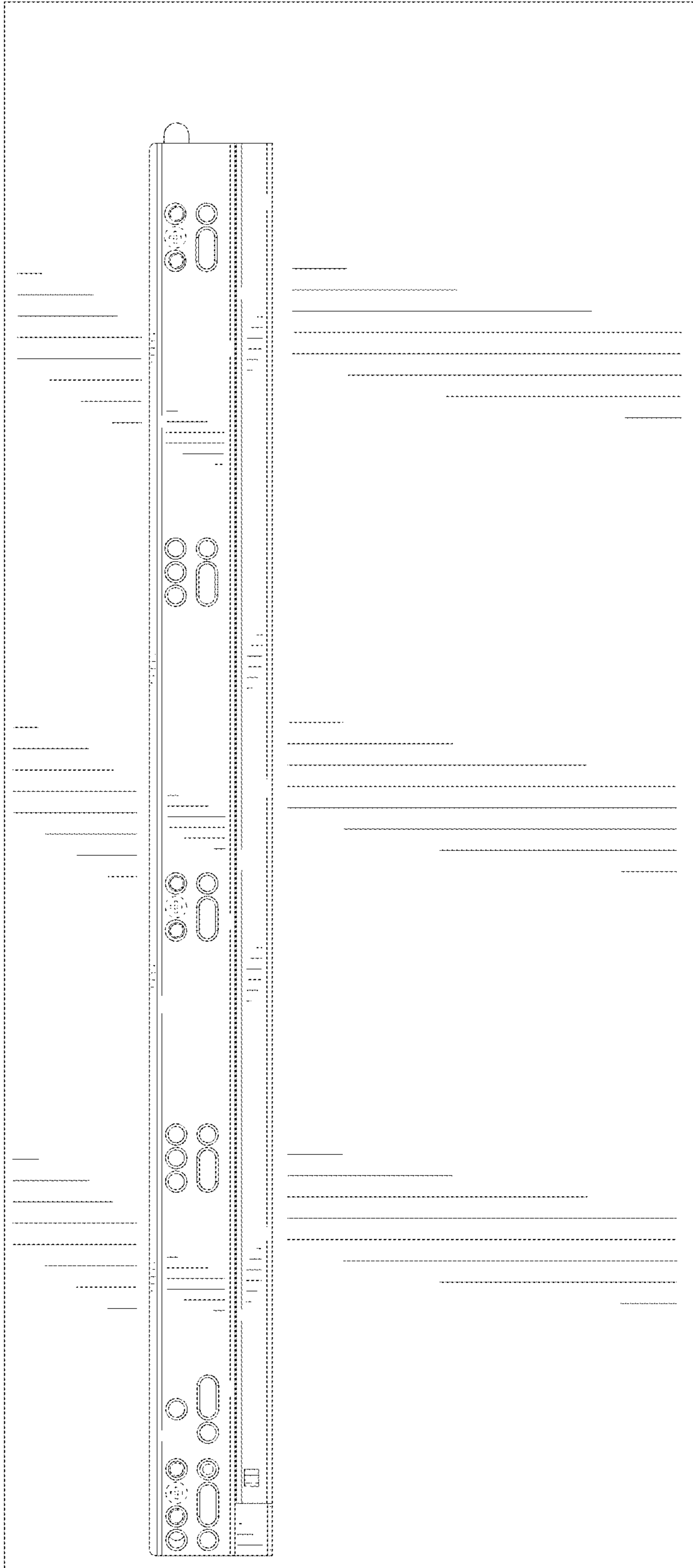


FIG. 3

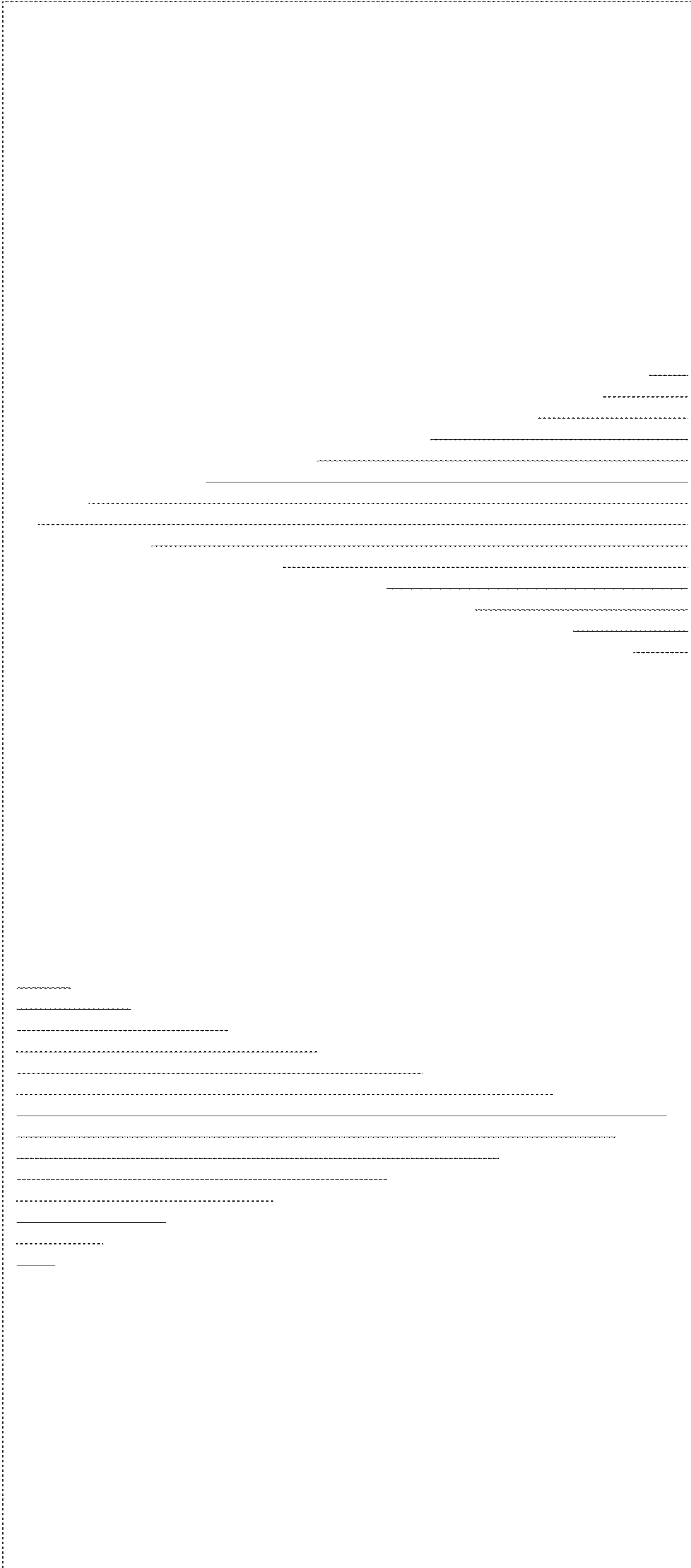


FIG. 4

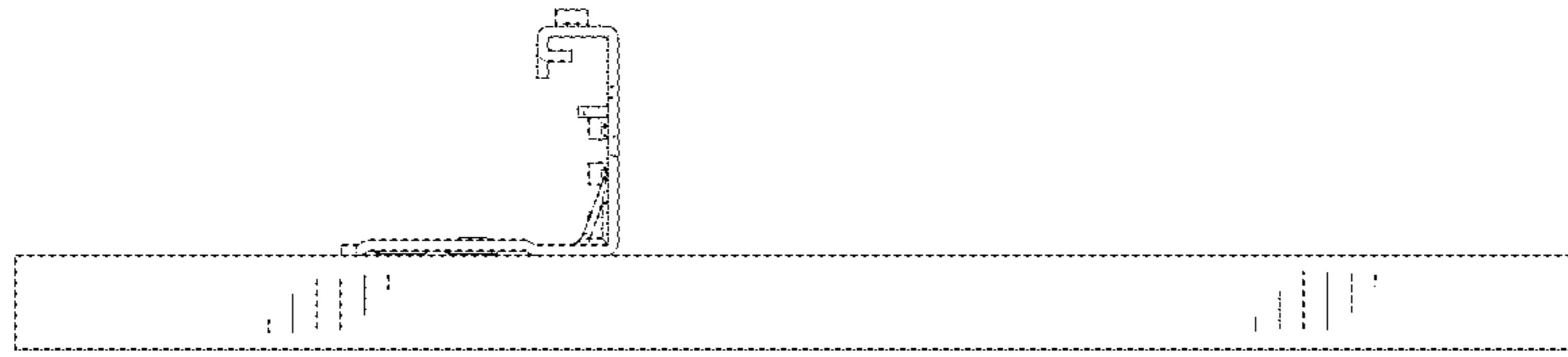


FIG. 5

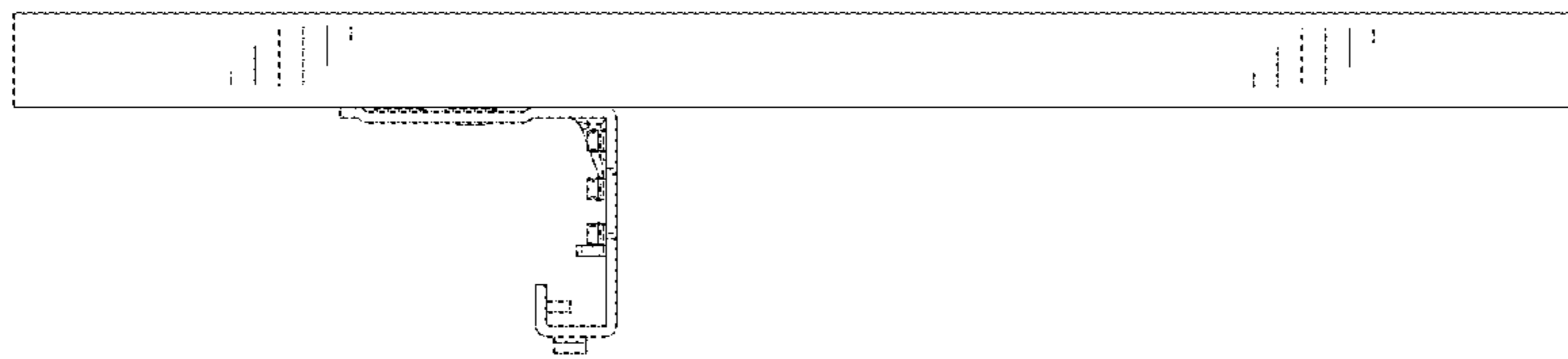


FIG. 6

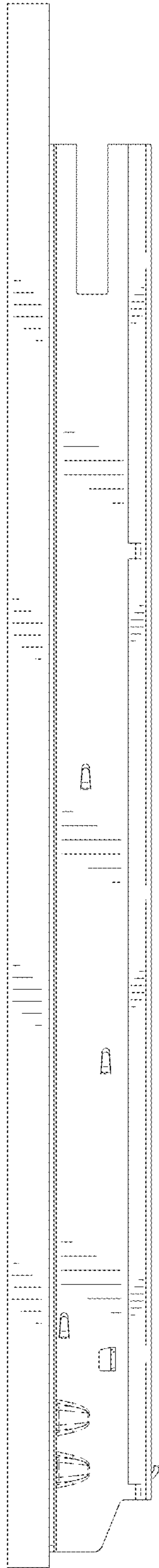


FIG. 7

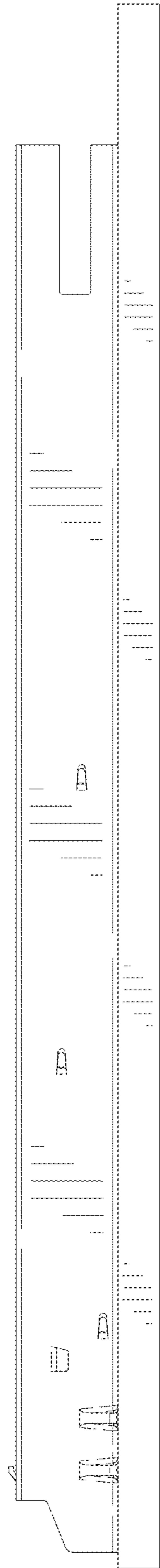


FIG. 8

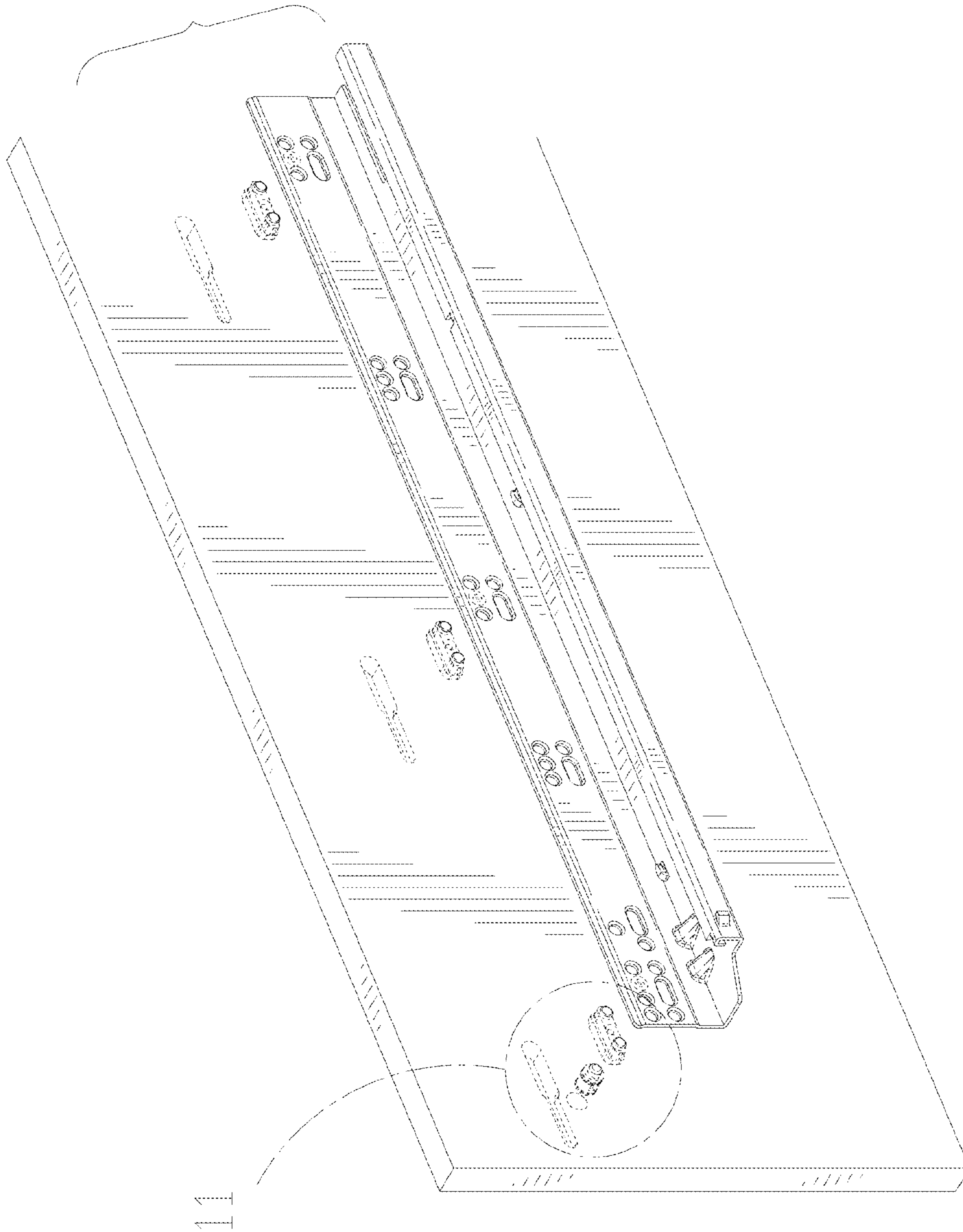


FIG. 9

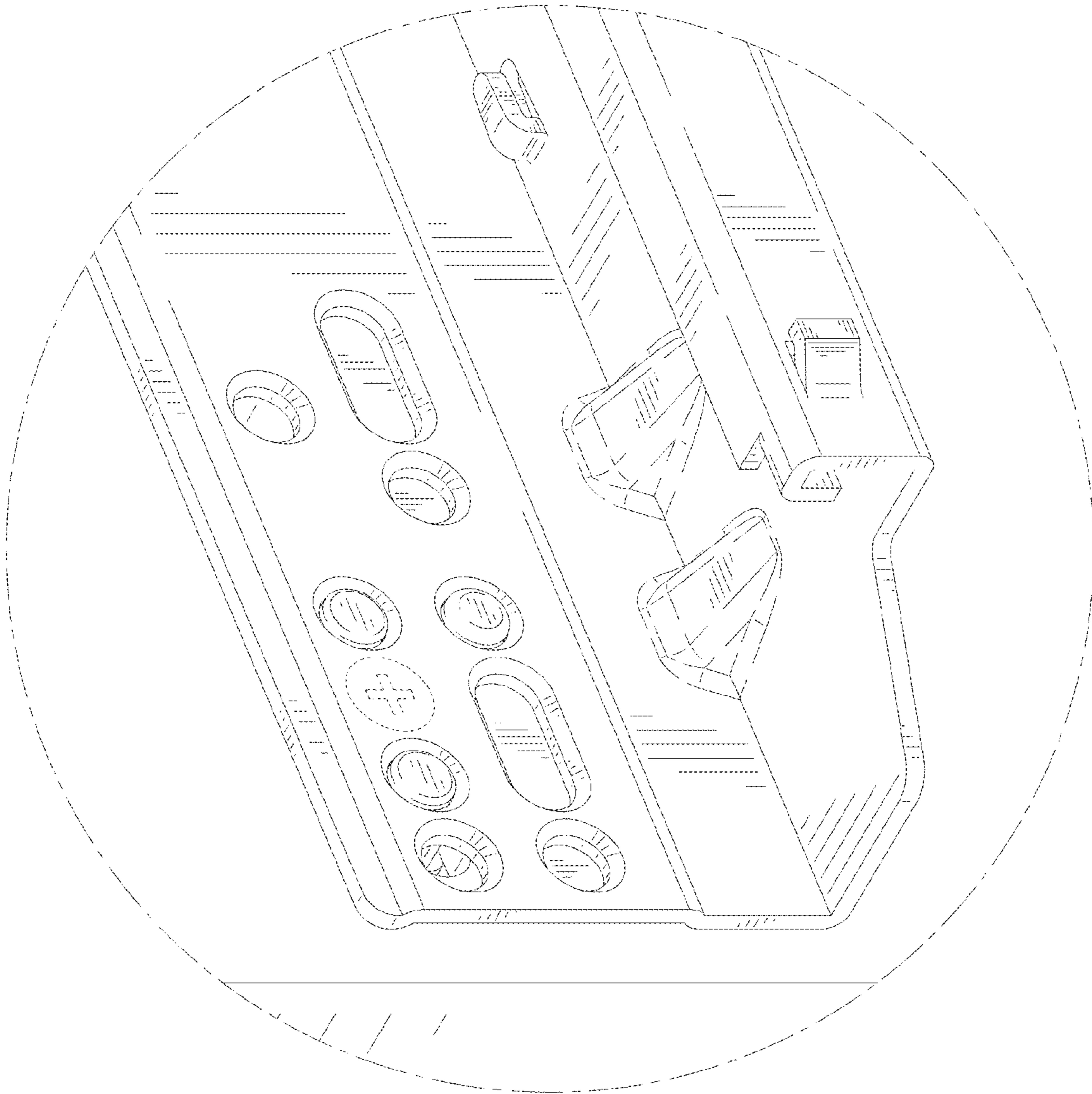


FIG. 10

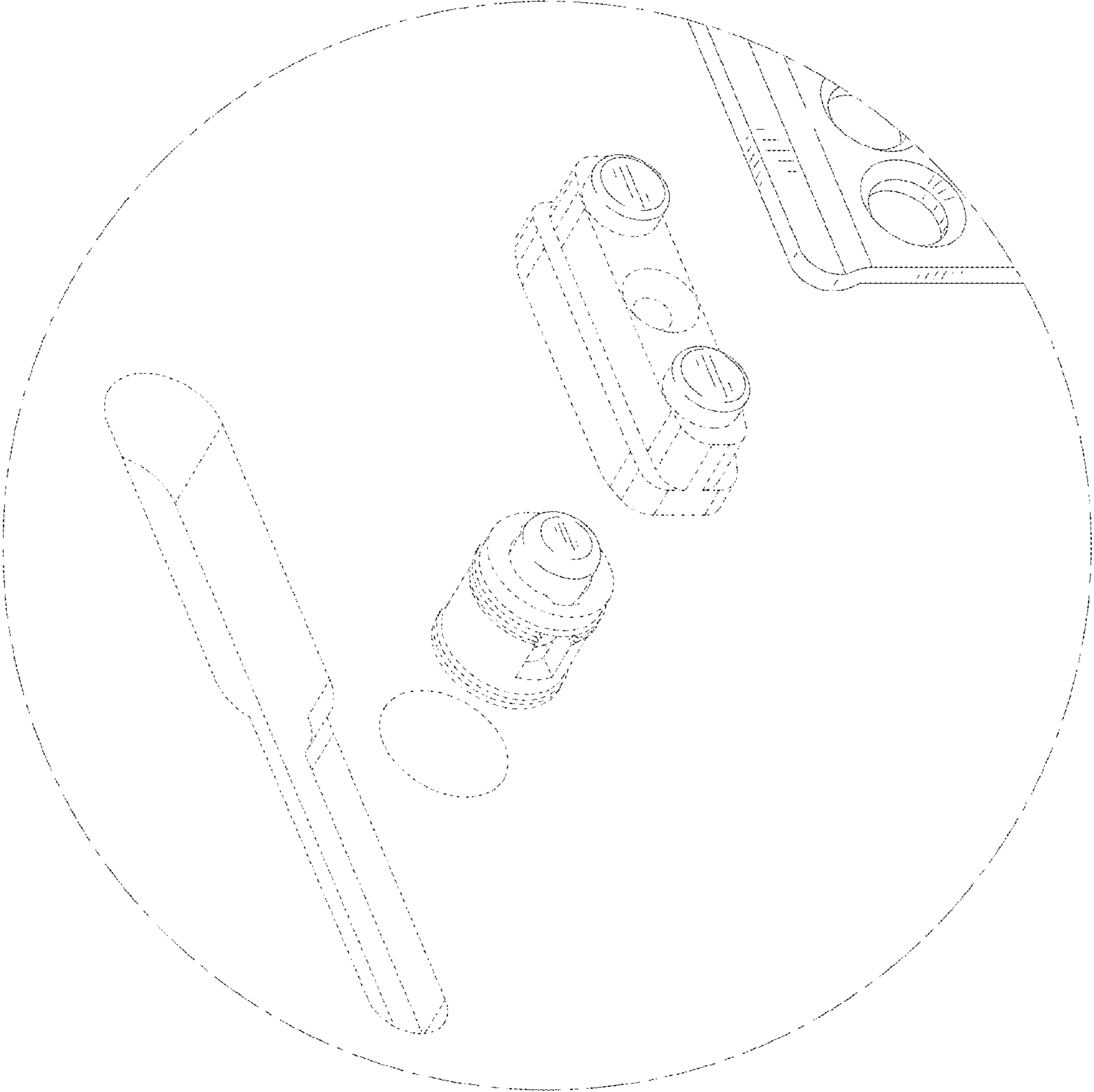


FIG. 11