



US00D975523S

(12) **United States Design Patent**  
**Huang**

(10) **Patent No.:** **US D975,523 S**

(45) **Date of Patent:** **\*\* Jan. 17, 2023**

(54) **APPLICATOR FOR MOBILE PHONE  
SCREEN PROTECTOR INSTALLATION**

(71) Applicant: **Guangzhou Zifriend Communicate  
Technology Co. Ltd, Guangdong (CN)**

(72) Inventor: **Jingru Huang, Guangdong (CN)**

(\*\*) Term: **15 Years**

(21) Appl. No.: **29/762,730**

(22) Filed: **Dec. 18, 2020**

(51) **LOC (14) Cl.** ..... **08-05**

(52) **U.S. Cl.**  
USPC ..... **D8/354**

(58) **Field of Classification Search**  
USPC ..... D8/354; D14/217, 238.1, 240, 248, 250,  
D14/251-253, 439, 440, 447; D3/201,  
D3/218, 247, 269, 273, 301, 303  
CPC . H05K 13/00; H05K 13/0015; H04M 1/0202;  
A45C 1/06  
See application file for complete search history.

(56) **References Cited**

**U.S. PATENT DOCUMENTS**

|            |      |         |            |       |                           |
|------------|------|---------|------------|-------|---------------------------|
| 8,675,353  | B1 * | 3/2014  | Alonzo     | ..... | G06F 1/1628<br>361/679.01 |
| D738,172   | S *  | 9/2015  | Chen       | ..... | D8/14                     |
| D757,016   | S *  | 5/2016  | Liang      | ..... | D14/440                   |
| D812,062   | S *  | 3/2018  | MacDonald  | ..... | D14/432                   |
| D821,384   | S *  | 6/2018  | Jordin     | ..... | D14/250                   |
| 10,076,872 | B2 * | 9/2018  | Witham     | ..... | B29C 65/48                |
| 10,076,894 | B2 * | 9/2018  | Lin        | ..... | B32B 38/1841              |
| 10,507,962 | B2 * | 12/2019 | Lin        | ..... | H04B 1/3827               |
| 10,751,931 | B1 * | 8/2020  | Hsu        | ..... | B65D 85/68                |
| 10,841,409 | B2 * | 11/2020 | Bulkley    | ..... | G06F 1/1637               |
| D904,840   | S *  | 12/2020 | Liu        | ..... | D8/14                     |
| D908,472   | S *  | 1/2021  | Zhang      | ..... | D8/354                    |
| D908,682   | S *  | 1/2021  | Coverstone | ..... | D14/250                   |
| 10,987,855 | B1 * | 4/2021  | Zhang      | ..... | B32B 3/30                 |

|            |      |         |           |       |              |
|------------|------|---------|-----------|-------|--------------|
| D920,080   | S *  | 5/2021  | Hofstrand | ..... | D8/354       |
| D929,195   | S *  | 8/2021  | Kiyokawa  | ..... | D7/672       |
| 11,090,857 | B1 * | 8/2021  | Zhong     | ..... | B29C 63/0004 |
| D931,938   | S *  | 9/2021  | Ebling    | ..... | D20/17       |
| D934,850   | S *  | 11/2021 | Weng      | ..... | D14/250      |
| 11,186,032 | B2 * | 11/2021 | Lin       | ..... | B29C 63/0056 |
| D937,834   | S *  | 12/2021 | Hyun      | ..... | D14/432      |
| D939,929   | S *  | 1/2022  | Ryu       | ..... | D8/349       |
| D940,127   | S *  | 1/2022  | Akana     | ..... | D14/341      |
| D940,536   | S *  | 1/2022  | Ryu       | ..... | D8/349       |
| D945,251   | S *  | 3/2022  | Zhang     | ..... | D8/354       |
| D947,853   | S *  | 4/2022  | Akana     | ..... | D14/439      |

(Continued)

*Primary Examiner* — Keli L Hill

*Assistant Examiner* — Harold E Blackwell, II

(74) *Attorney, Agent, or Firm* — Prakash Nama; Global IP Services, PLLC

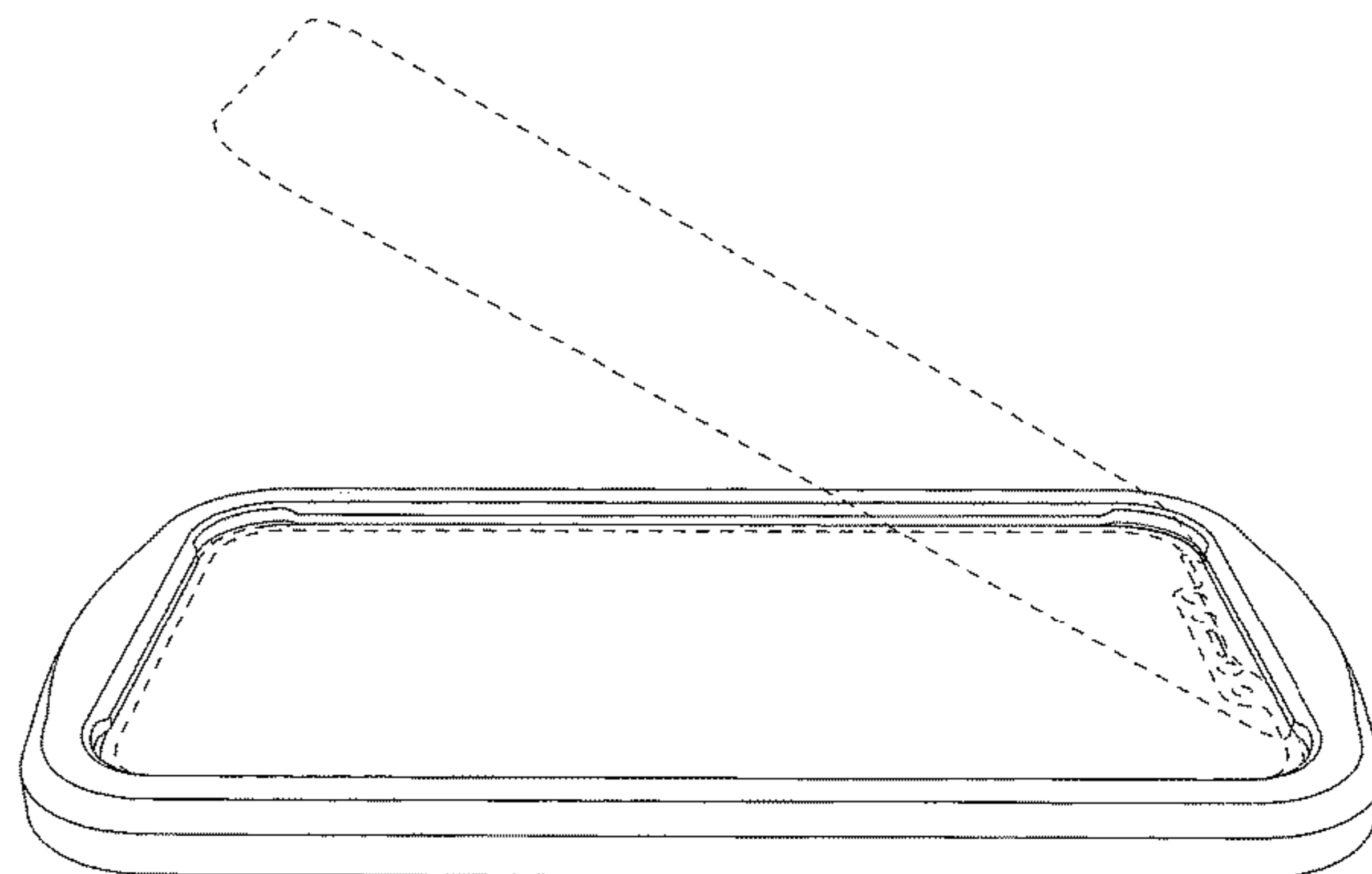
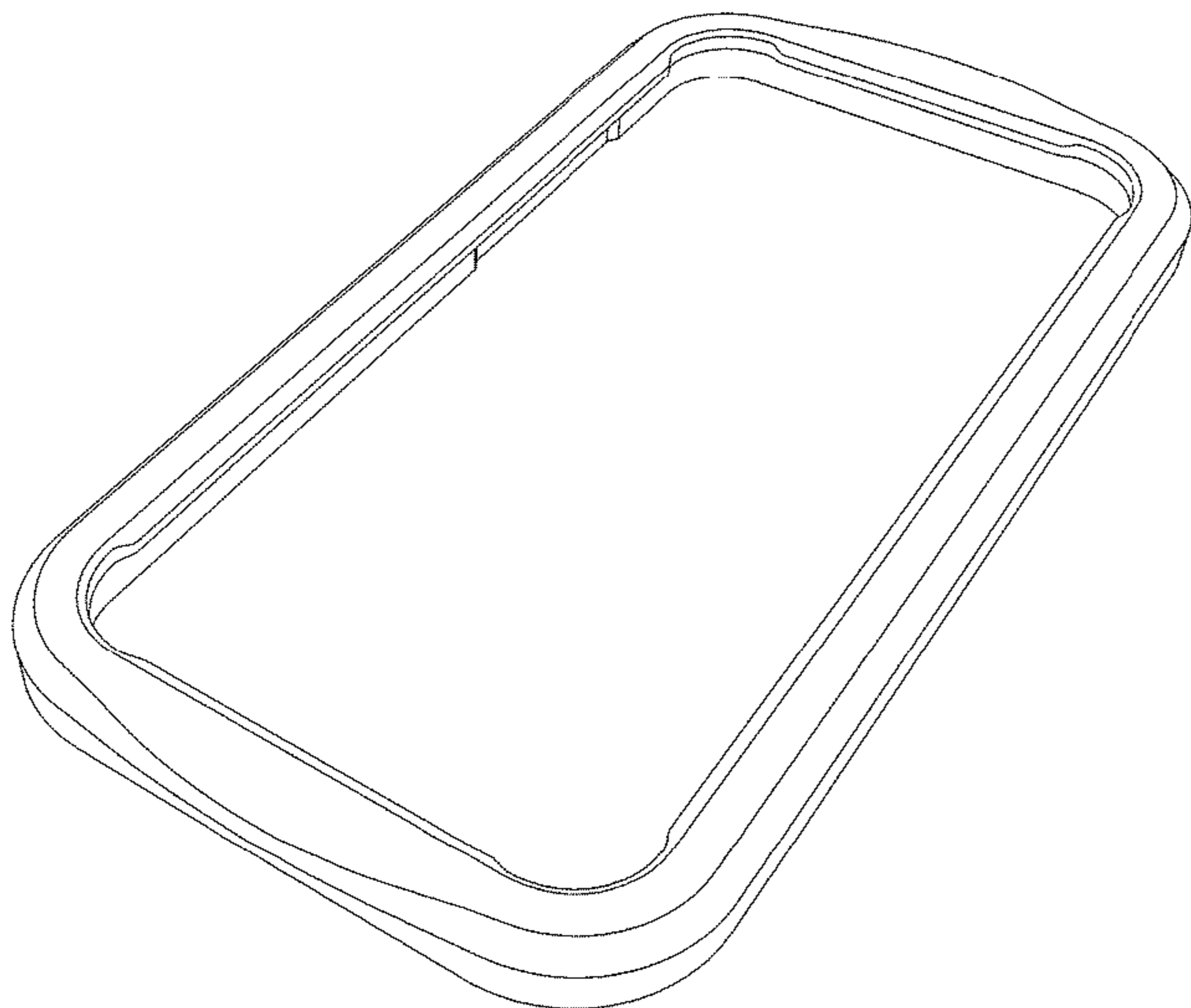
(57) **CLAIM**

The ornamental design for an applicator for mobile phone screen protector installation, as shown and described.

**DESCRIPTION**

FIG. 1 is a front elevational view of an applicator for mobile phone screen protector installation showing my new design; FIG. 2 is a rear elevational view thereof; FIG. 3 is a left side view thereof; FIG. 4 is a right side view thereof; FIG. 5 is a top plan view thereof; FIG. 6 is a bottom plan view thereof; FIG. 7 is a perspective view thereof; FIG. 8 is a second perspective view thereof; FIG. 9 is a third perspective view thereof; FIG. 10 is a fourth perspective view thereof; FIG. 11 is a fifth perspective view thereof; and, FIG. 12 is a perspective view in the state of use. The broken lines illustrate environmental features and form no part of the claimed design.

**1 Claim, 10 Drawing Sheets**



(56)

**References Cited**

U.S. PATENT DOCUMENTS

D953,135 S \* 5/2022 Yu ..... D8/14  
2014/0047708 A1\* 2/2014 Chae ..... H04B 1/3888  
29/700  
2014/0130971 A1\* 5/2014 Wu ..... H04B 1/3888  
156/249  
2015/0246514 A1\* 9/2015 LaColla ..... B29C 63/02  
156/60  
2015/0291854 A1\* 10/2015 Colby ..... G06F 1/1656  
428/41.7  
2017/0190160 A1\* 7/2017 Peng ..... B32B 38/1841  
2020/0094467 A1\* 3/2020 Cho ..... B29C 63/0004

\* cited by examiner

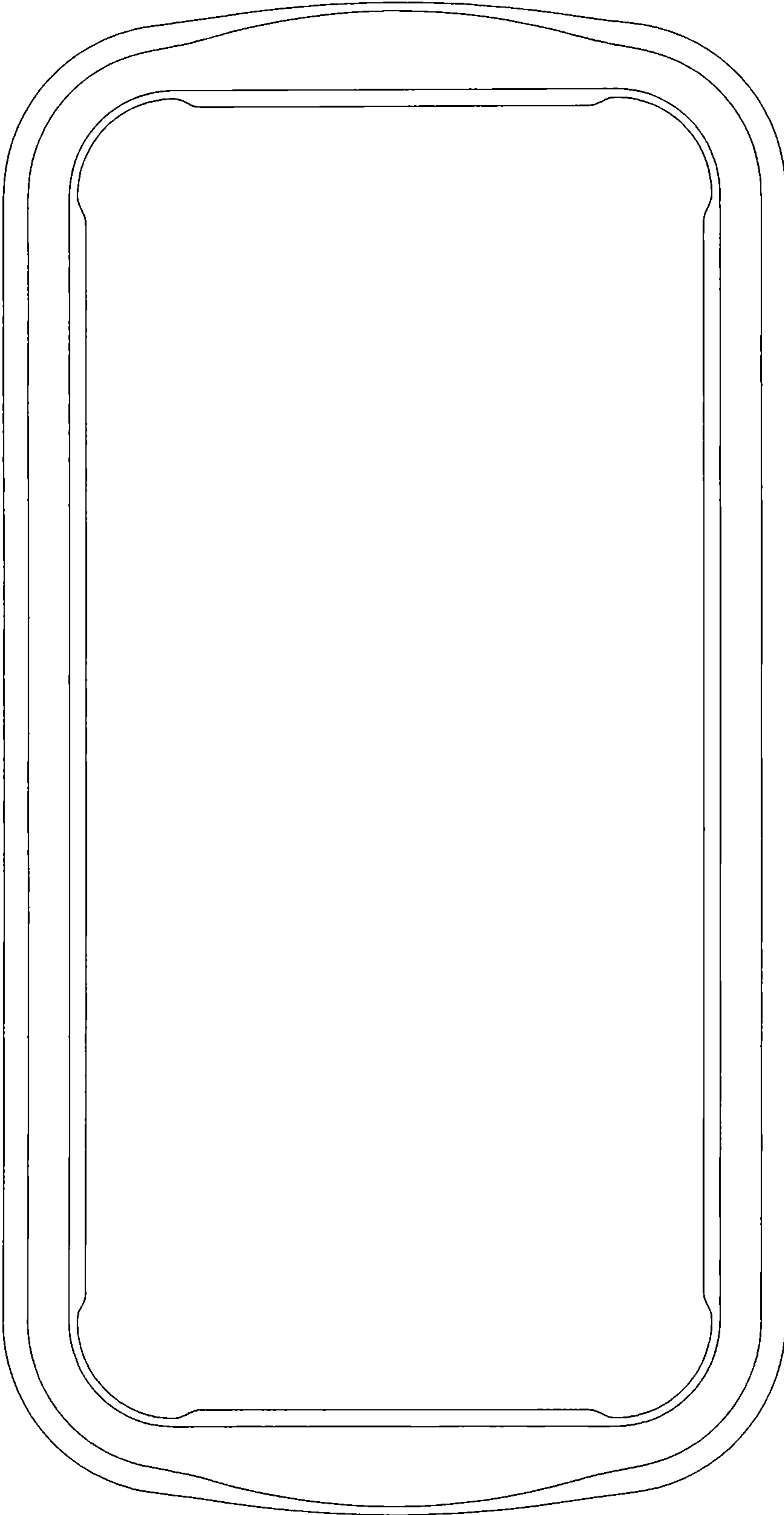


FIG. 1

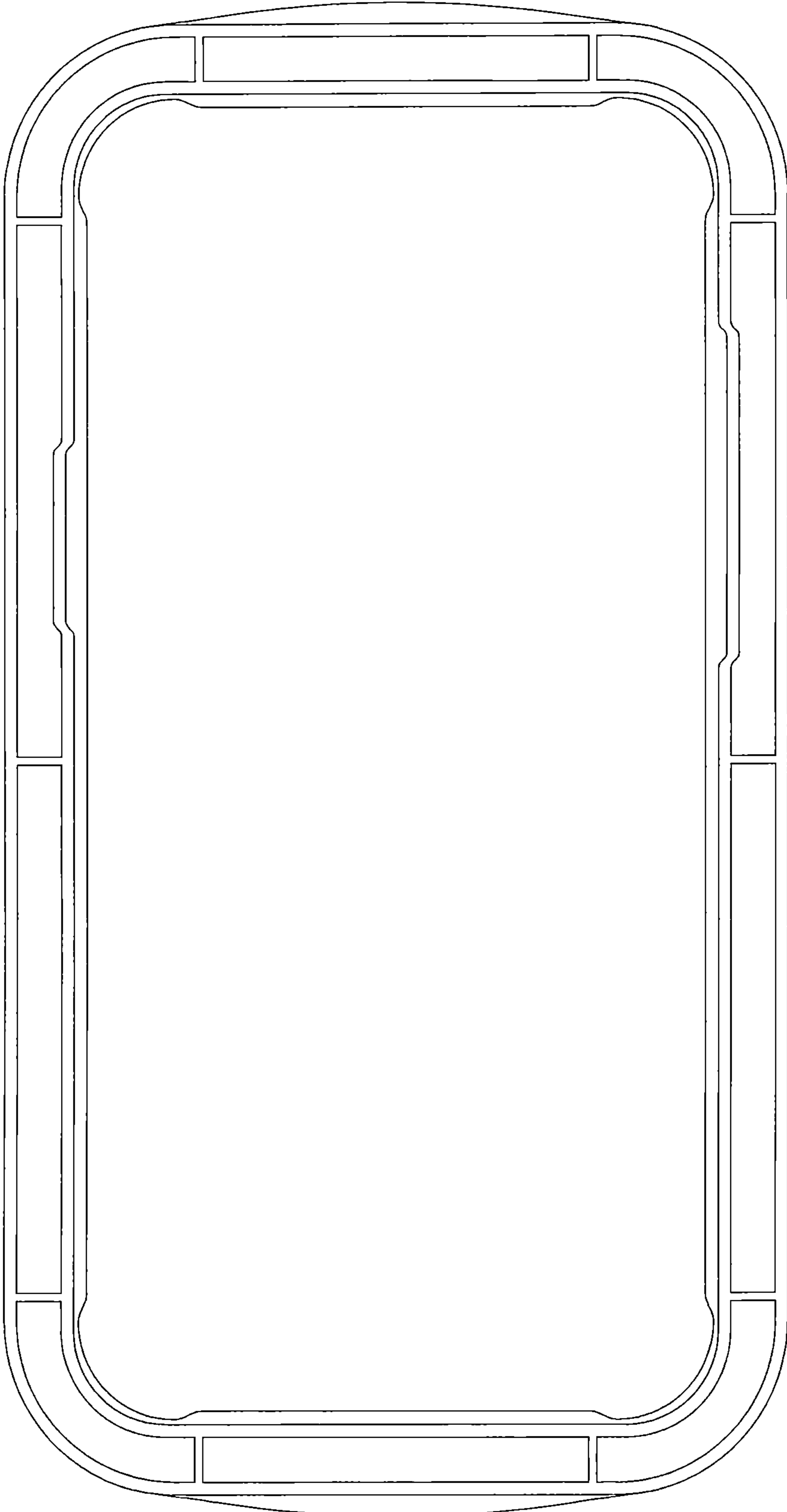


FIG. 2

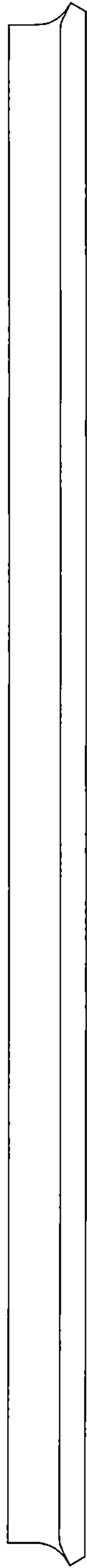


FIG. 3



FIG. 4

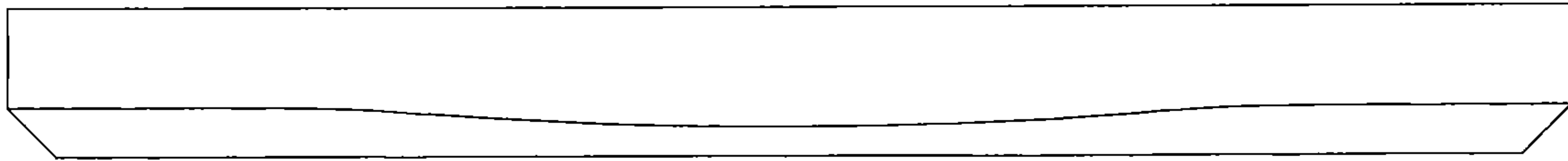


FIG. 5

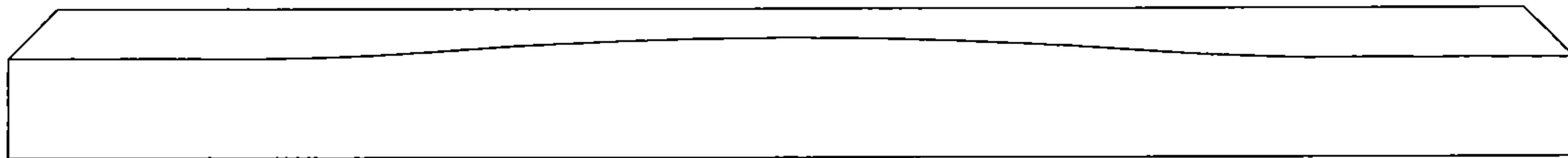


FIG. 6

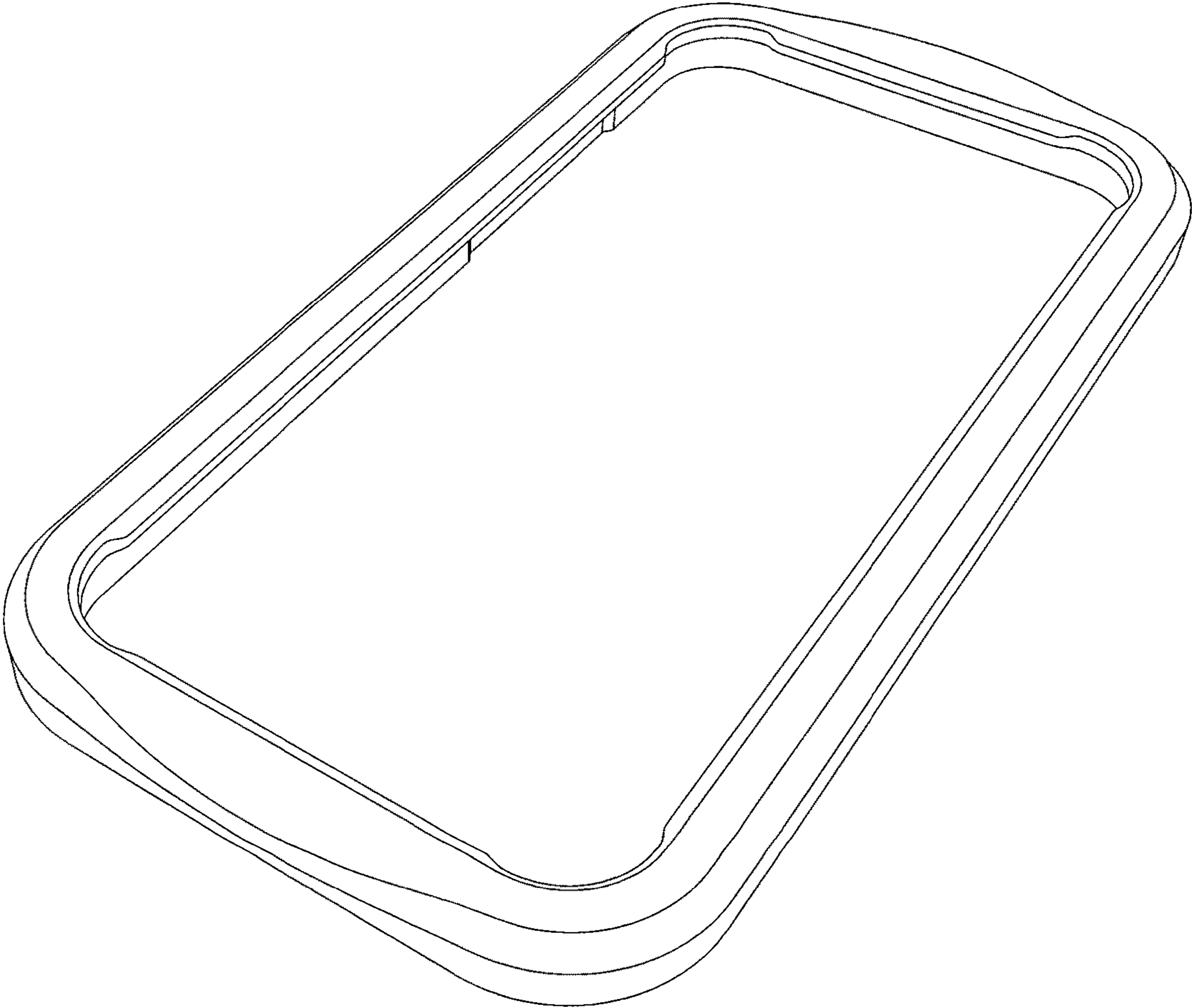


FIG. 7

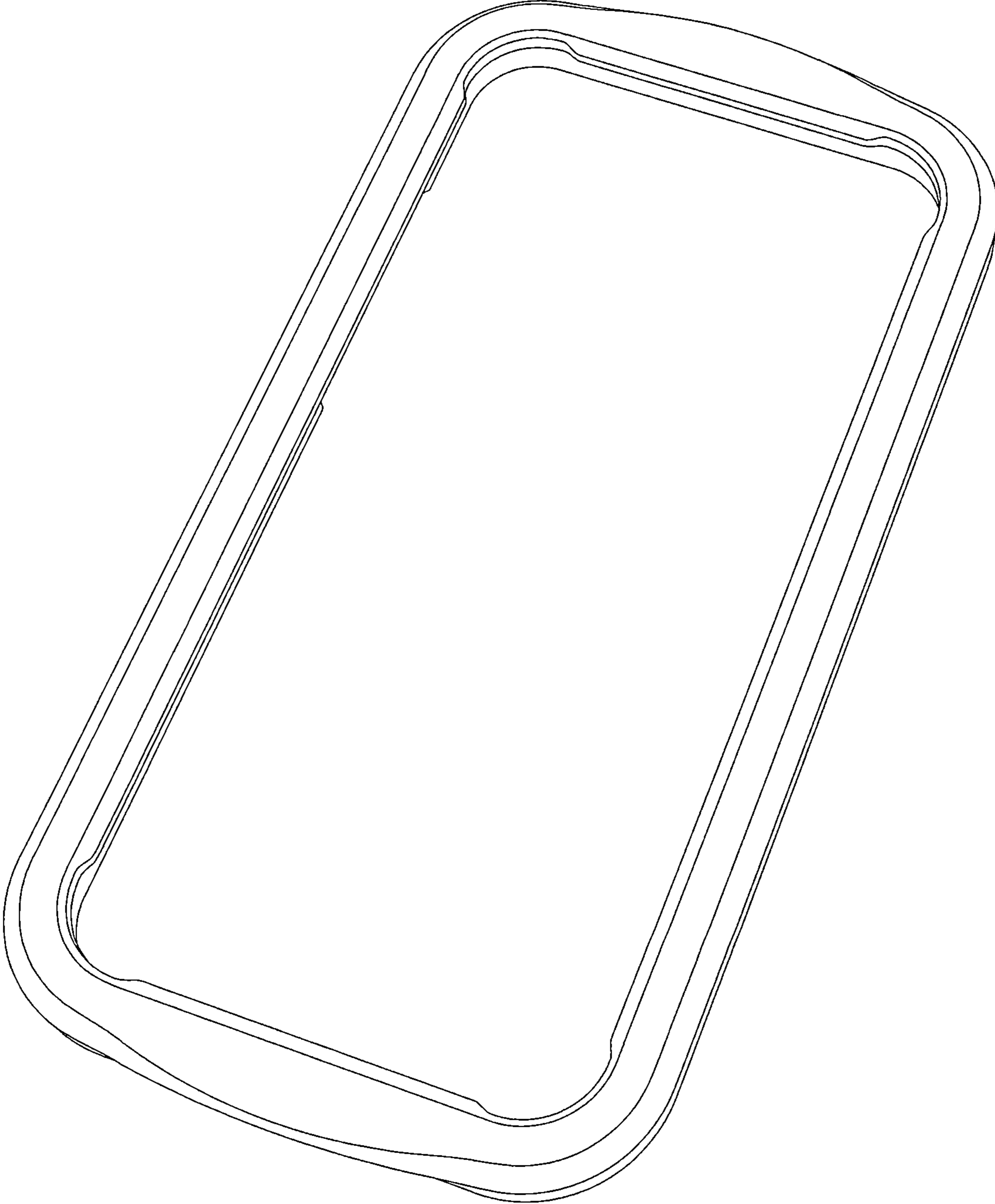


FIG. 8



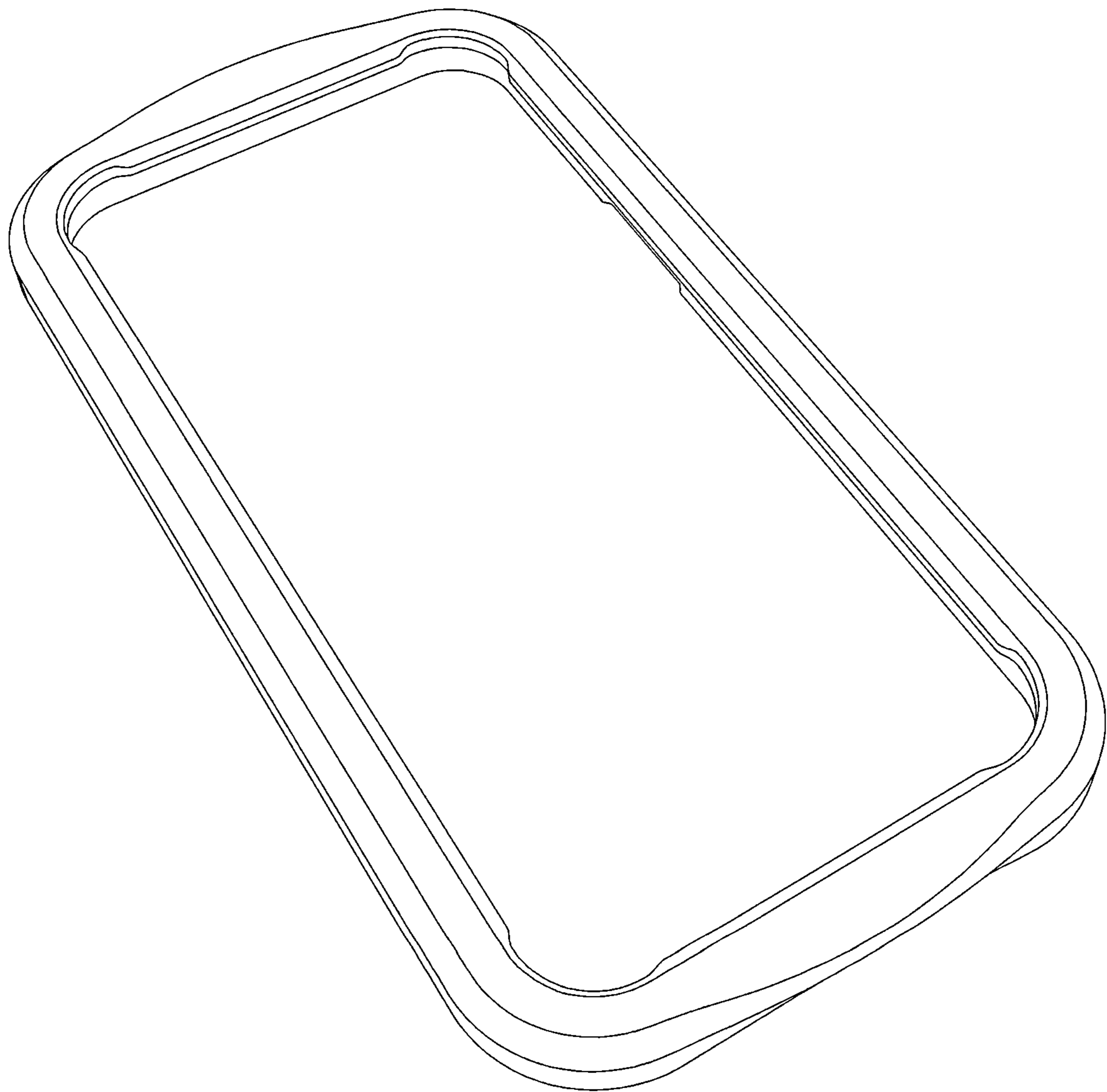


FIG. 9

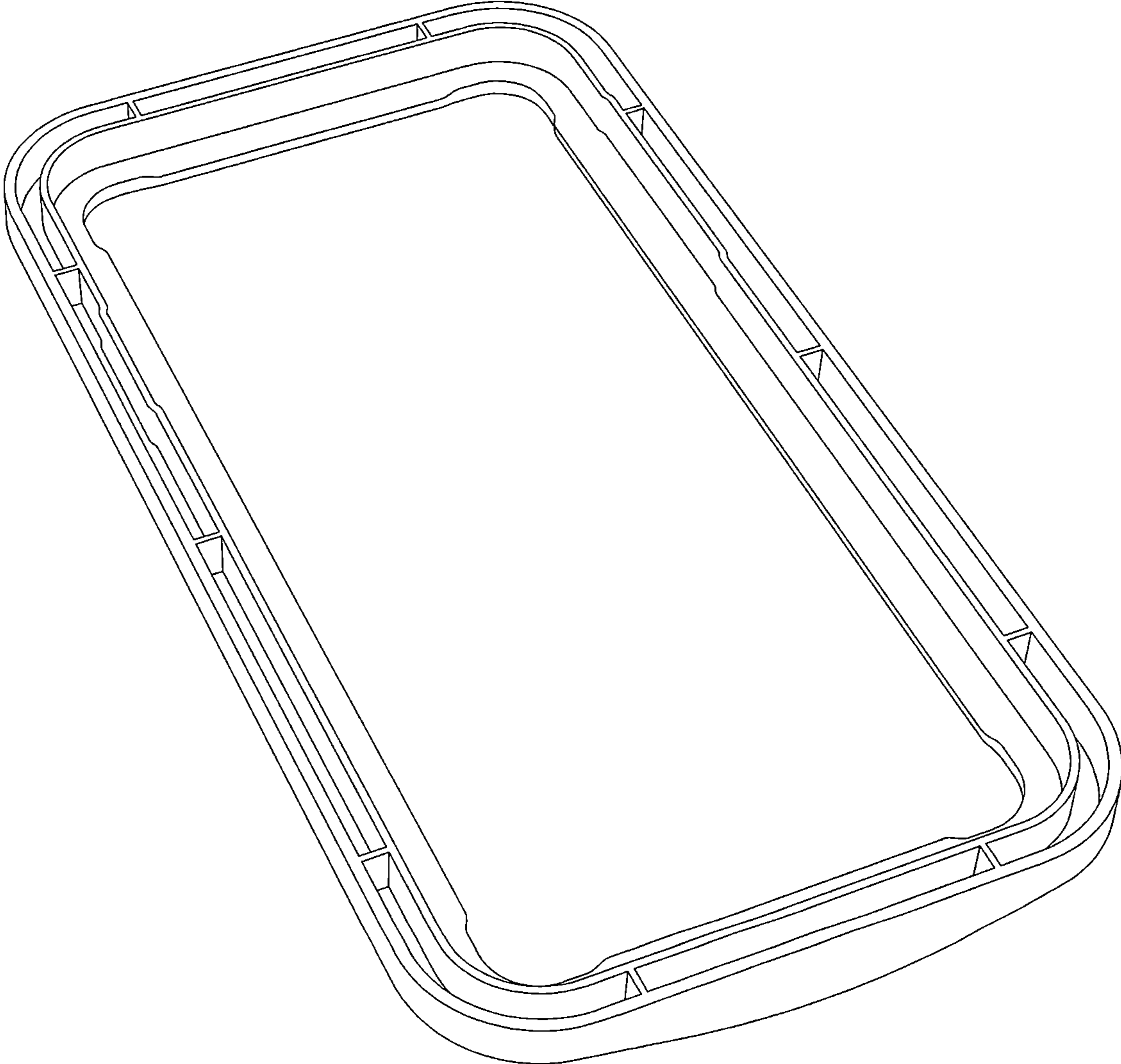


FIG. 10



FIG. 11

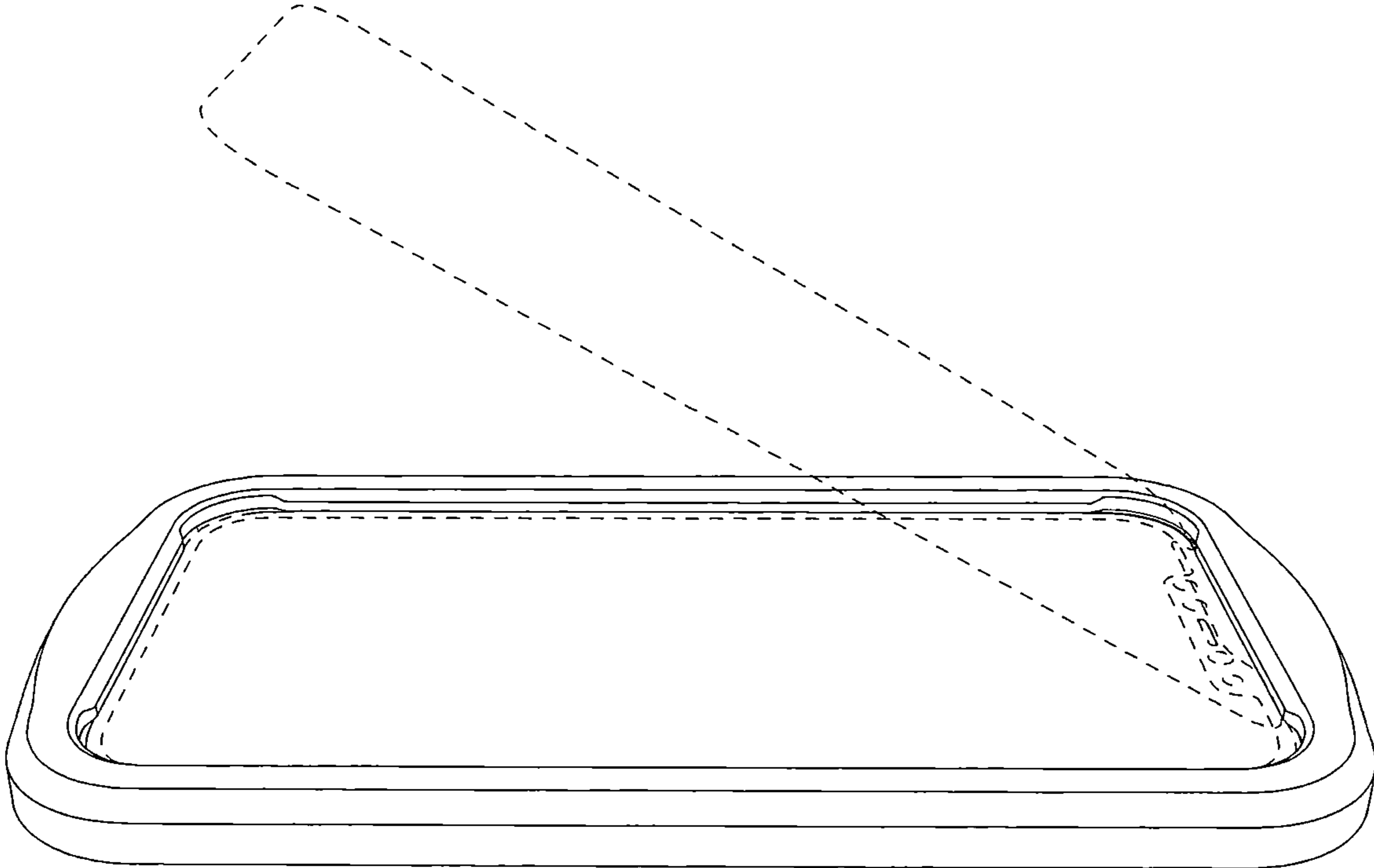


FIG. 12