



US00D975521S

(12) **United States Design Patent** (10) **Patent No.:** **US D975,521 S**
Lindo et al. (45) **Date of Patent:** **** Jan. 17, 2023**

(54) **LATCH ASSEMBLY**
(71) Applicant: **Southco, Inc.**, Concordville, PA (US)
(72) Inventors: **Benjamin Gerald Lindo**, Philadelphia, PA (US); **Gregory Gilbert Garneau**, Berlin, NJ (US)
(73) Assignee: **Southco, Inc.**, Concordville, PA (US)
(**) Term: **15 Years**

D832,081 S * 10/2018 Gokcebay D8/330
D884,455 S * 5/2020 Chen D8/331
D909,985 S * 2/2021 Landerus D14/218
(Continued)

(21) Appl. No.: **29/704,224**
(22) Filed: **Sep. 3, 2019**
(51) **LOC (14) Cl.** **08-07**
(52) **U.S. Cl.**
USPC **D8/330; D8/343**
(58) **Field of Classification Search**
USPC D8/300-302, 307, 308, 321, 330, 331,
D8/338, 343
CPC E05B 2047/0094; E05B 47/0012; E05B
63/0056; E05B 17/22; E05B 47/00
See application file for complete search history.

FOREIGN PATENT DOCUMENTS

CN 1550629 A 12/2004
EP 0905338 A1 3/1999
(Continued)

OTHER PUBLICATIONS

SC—Self-Contained Electronic Locking System, 2019, downloaded at <https://www.southco.com/en-us/sc>, 2 pages.
(Continued)

Primary Examiner — Lauren R Calve
(74) *Attorney, Agent, or Firm* — RatnerPrestia

(57) **CLAIM**

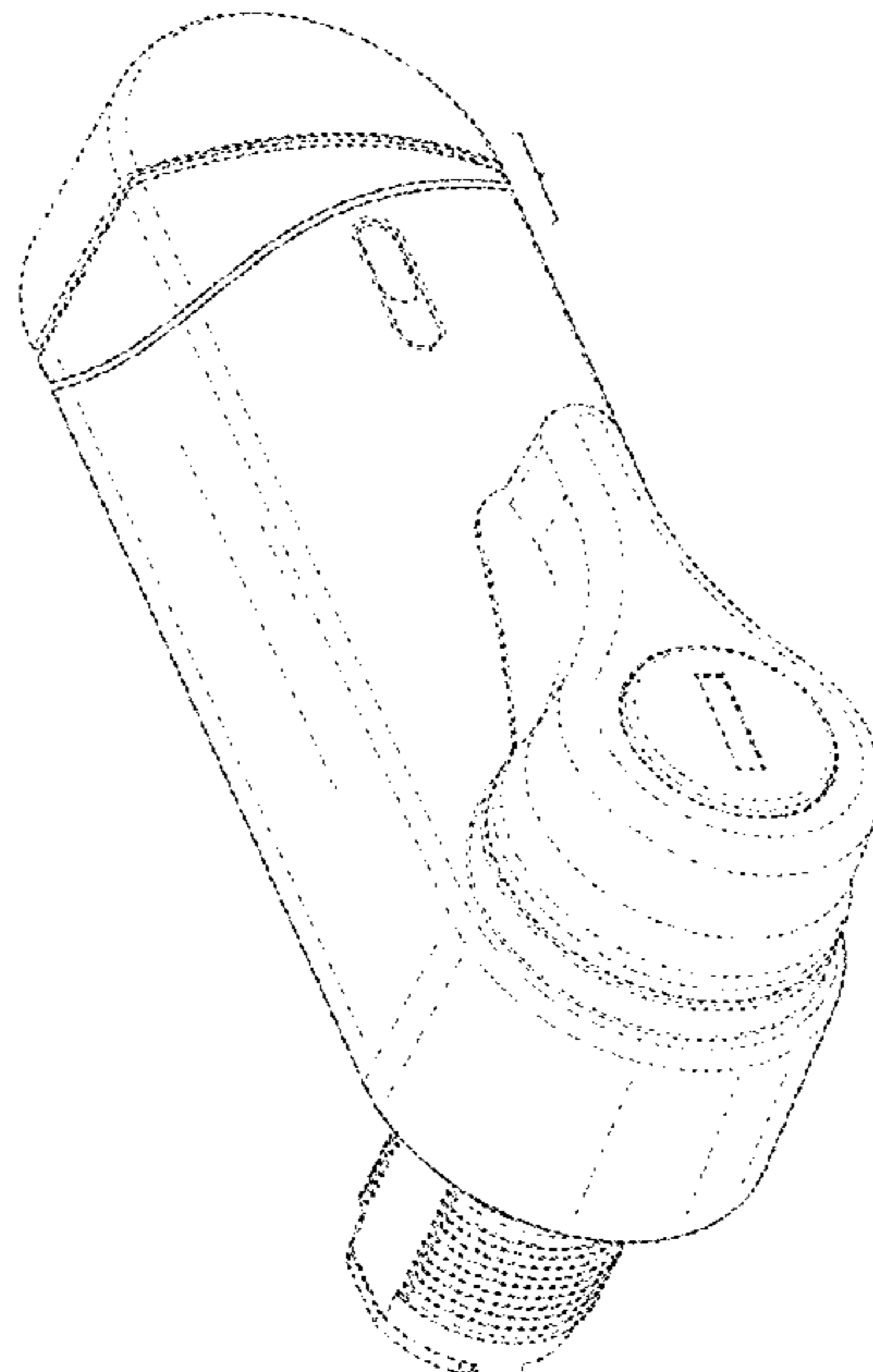
The ornamental design for a latch assembly, as shown and described.

DESCRIPTION

FIG. 1 is an isometric view of a latch assembly, as viewed from the bottom, front and left sides;
FIG. 2 is an isometric view thereof as viewed from the bottom, front and right sides;
FIG. 3 is a front elevation view thereof;
FIG. 4 is a rear elevation view thereof;
FIG. 5 is a bottom plan view thereof;
FIG. 6 is a top plan view thereof;
FIG. 7 is a left side elevation view thereof; and,
FIG. 8 is a right side elevation view thereof.
Any portion of the latch assembly of FIGS. 1-4, 7 and 8 between the break lines forms no part of the claimed design. The broken line showing of the latch assembly is for the purpose of illustrating portions of the latch assembly and forms no part of the claimed design.

(56) **References Cited**
U.S. PATENT DOCUMENTS
5,931,430 A 8/1999 Palmer
7,125,057 B2 10/2006 Coleman et al.
7,482,907 B2 * 1/2009 Denison H04Q 1/00
340/5.1
7,721,576 B2 * 5/2010 Amir E05B 47/0611
70/279.1
D694,093 S * 11/2013 Mostert D8/334
D749,932 S * 2/2016 Hollman D8/330
D766,067 S * 9/2016 Hyde D8/330
9,536,359 B1 1/2017 Gokcebay
D790,950 S * 7/2017 Kraus D8/330
D795,041 S * 8/2017 Oliva Camacho D8/350
D813,644 S * 3/2018 Finkelstein D8/350
9,982,462 B2 * 5/2018 Lin H02K 7/116

1 Claim, 8 Drawing Sheets



(56)

References Cited

U.S. PATENT DOCUMENTS

D945,248 S * 3/2022 Sendin D8/330
2007/0284893 A1 12/2007 Davies
2021/0148138 A1* 5/2021 Roatis E05B 63/0056

FOREIGN PATENT DOCUMENTS

JP 3060832 U 9/1999
WO 2009109972 A1 9/2009
WO 2014186475 A1 11/2014

OTHER PUBLICATIONS

Assa Abloy Opening Solutions, ML51PA—Digital Pin Keypad Cam Lock, 2019, downloaded from <https://www.assaabloyopeningsolutions.com.au/en/assa-abloy-products>, 4 pages.

Chinese Office Action for Chinese Application No. 201980078623.1, dated May 27, 2022, with translation, 14 pages.

International Search Report and Written Opinion for International Application No. PCT/US2019/062402, dated Feb. 14, 2020, 19 pages.

* cited by examiner

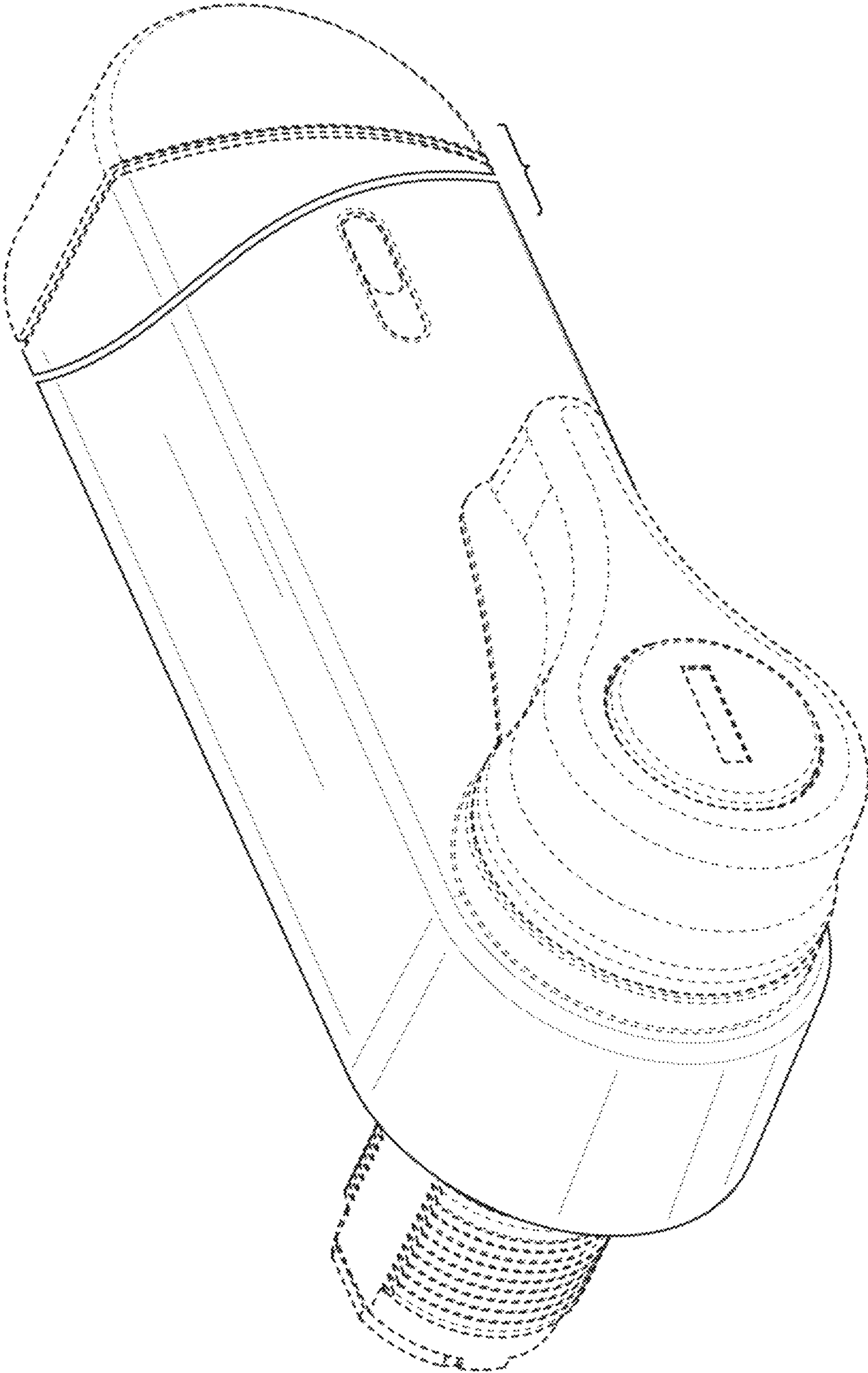


FIG. 1

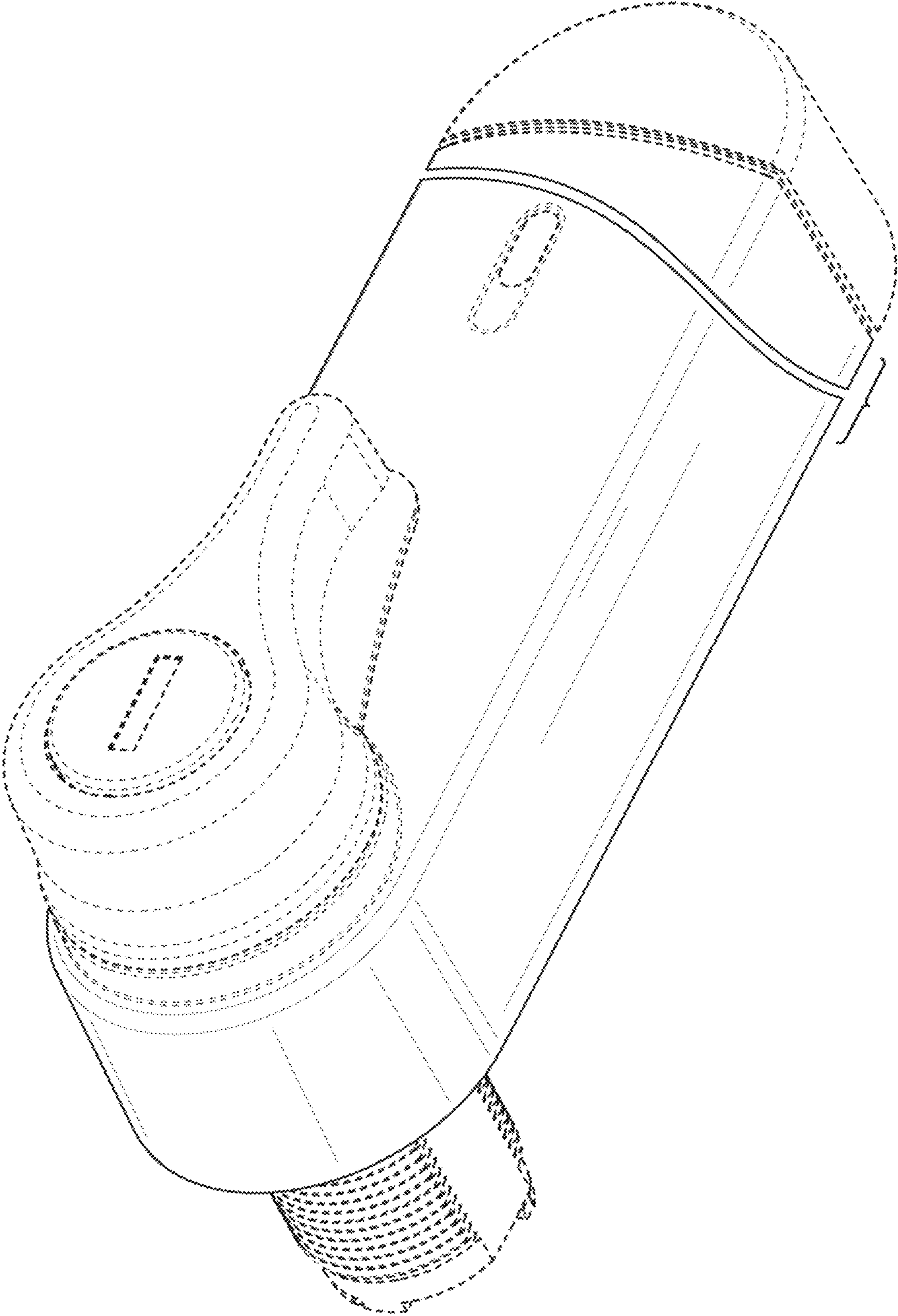


FIG. 2

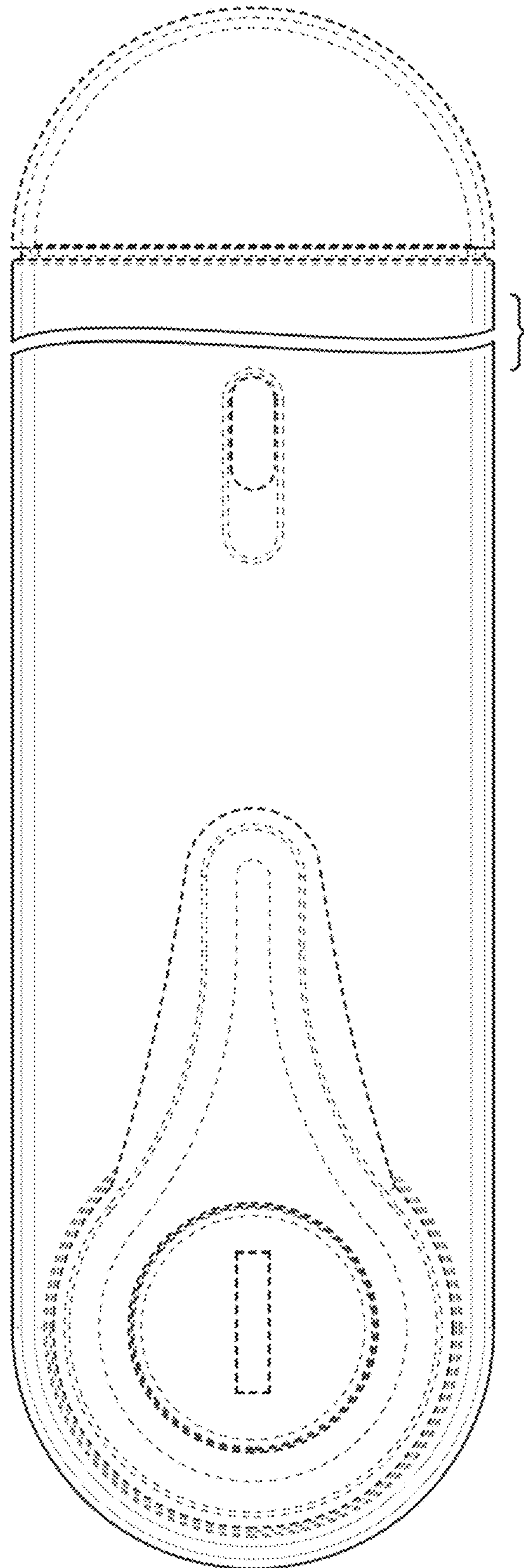


FIG. 3

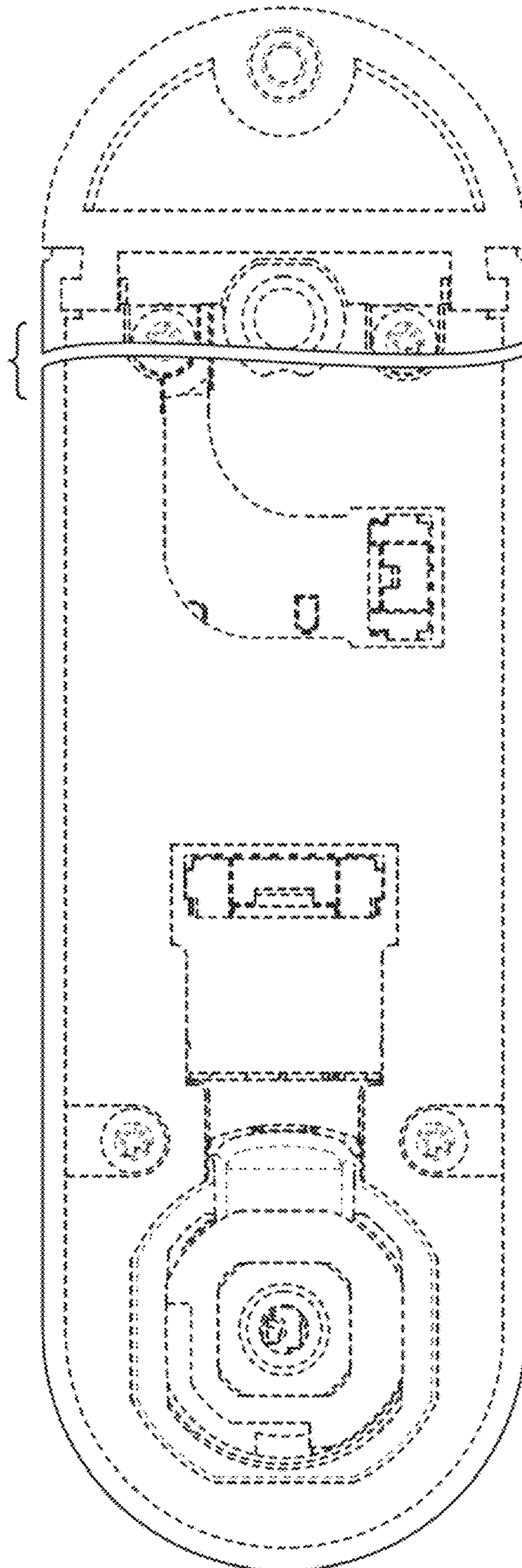


FIG. 4

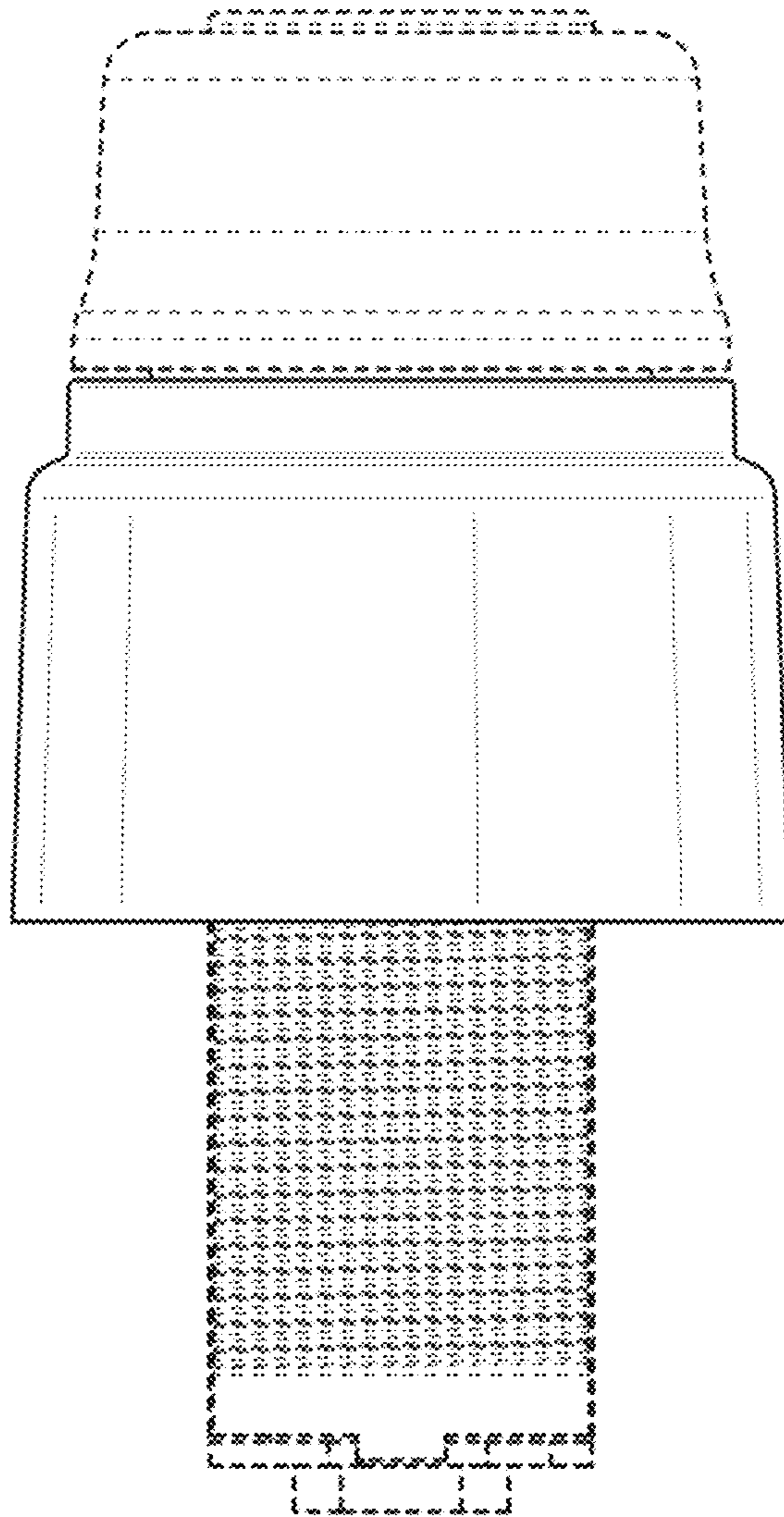


FIG. 5

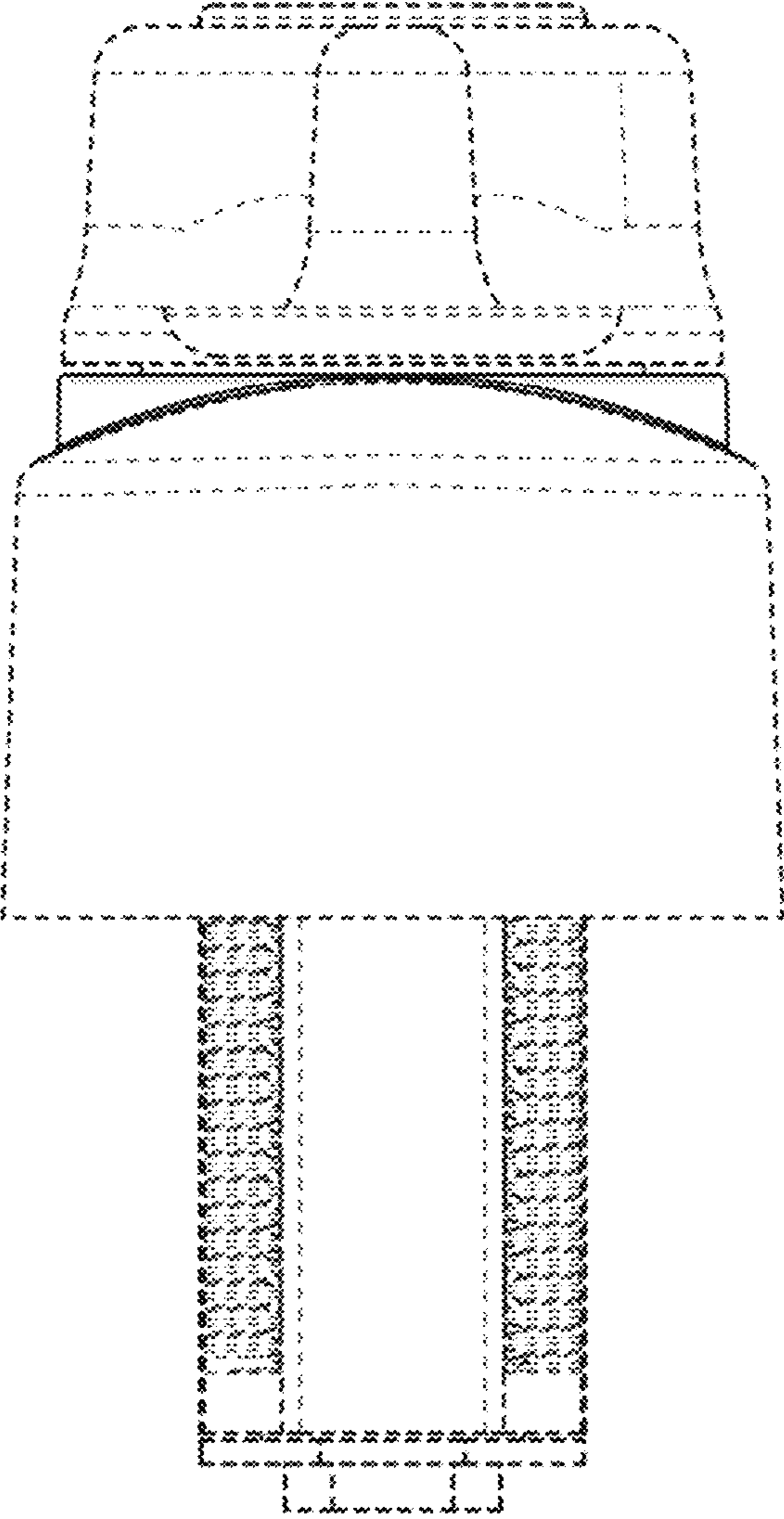


FIG. 6

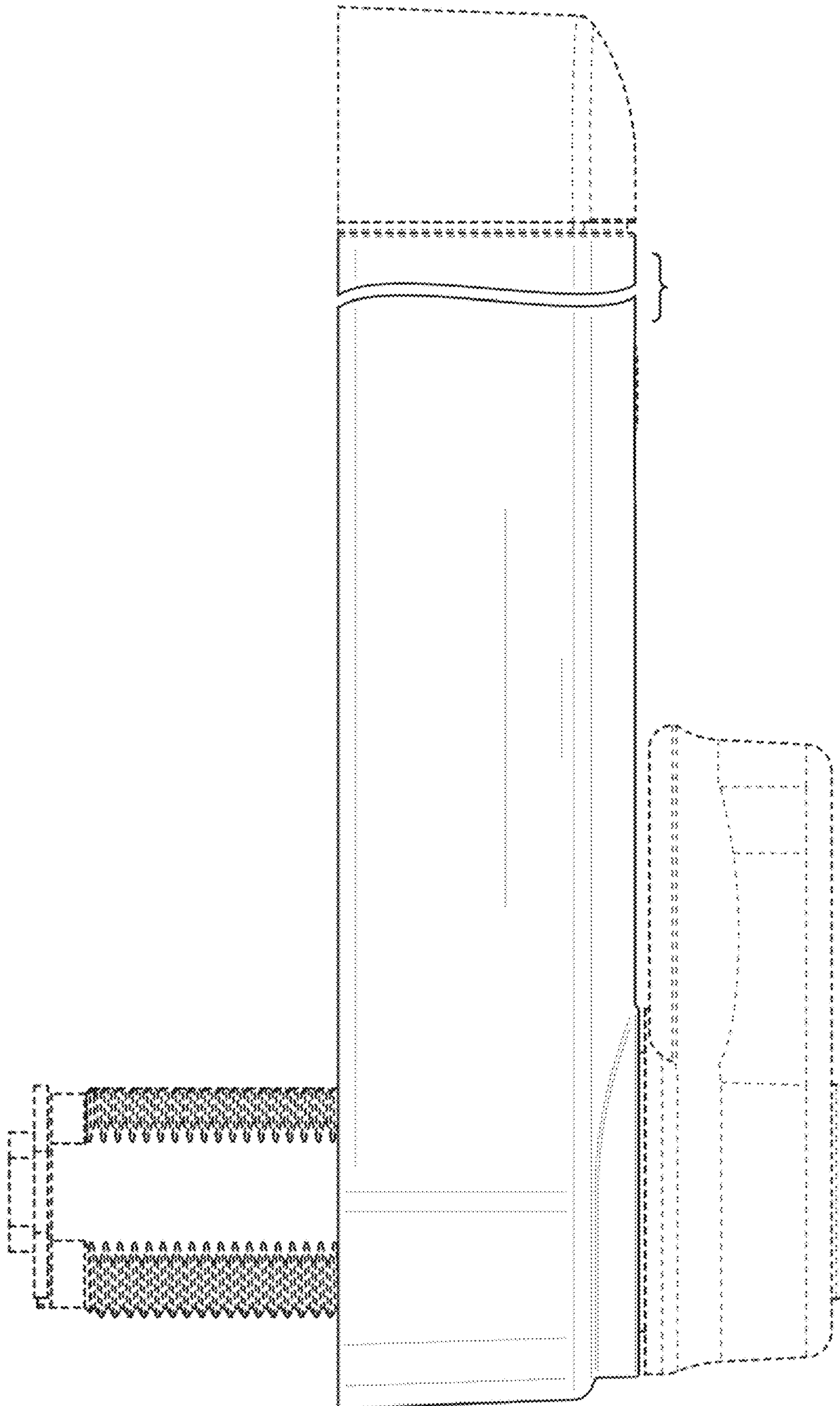


FIG. 7

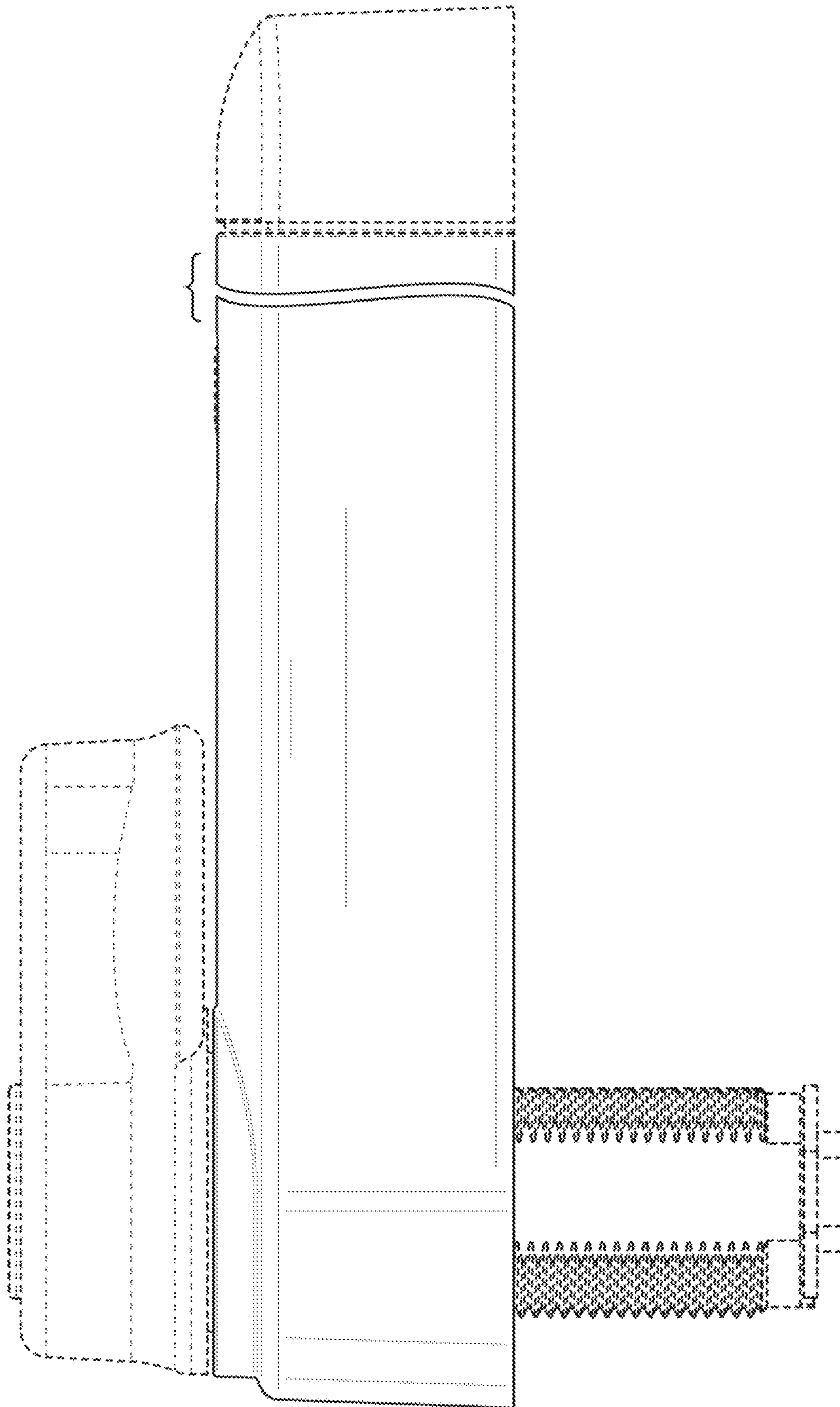


FIG. 8