



US00D975519S

(12) **United States Design Patent** (10) **Patent No.:** **US D975,519 S**
Carter (45) **Date of Patent:** **** Jan. 17, 2023**

- (54) **SCREWDRIVER**
- (71) Applicant: **Lee Patrick Carter**, Minneapolis, MN (US)
- (72) Inventor: **Lee Patrick Carter**, Minneapolis, MN (US)
- (**) Term: **15 Years**
- (21) Appl. No.: **29/776,748**
- (22) Filed: **Mar. 31, 2021**
- (51) **LOC (14) Cl.** **08-04**
- (52) **U.S. Cl.**
USPC **D8/82**
- (58) **Field of Classification Search**
USPC D8/14, 21, 25, 26, 82, 83, 84, 85, 86
CPC B25B 13/06; B25B 23/00; B25B 23/101
See application file for complete search history.

- D784,099 S * 4/2017 Mitchell C25D 5/14
D8/21
- 9,833,887 B1 * 12/2017 Liu B25B 21/00
- D950,332 S * 5/2022 Chou B25B 13/04
D8/29
- 2002/0178872 A1 * 12/2002 Ferrantelli B25B 13/04
81/124.3
- 2015/0040729 A1 * 2/2015 Ou B25B 13/06
81/121.1
- 2015/0258666 A1 * 9/2015 Yeh B25B 23/0035
81/60
- 2018/0291519 A1 * 10/2018 Liu C25D 5/14

* cited by examiner

Primary Examiner — Philip S Hyder
(74) *Attorney, Agent, or Firm* — Davis Wright Tremaine LLP

(57) **CLAIM**

The ornamental design for a screwdriver, as shown and described.

(56) **References Cited**

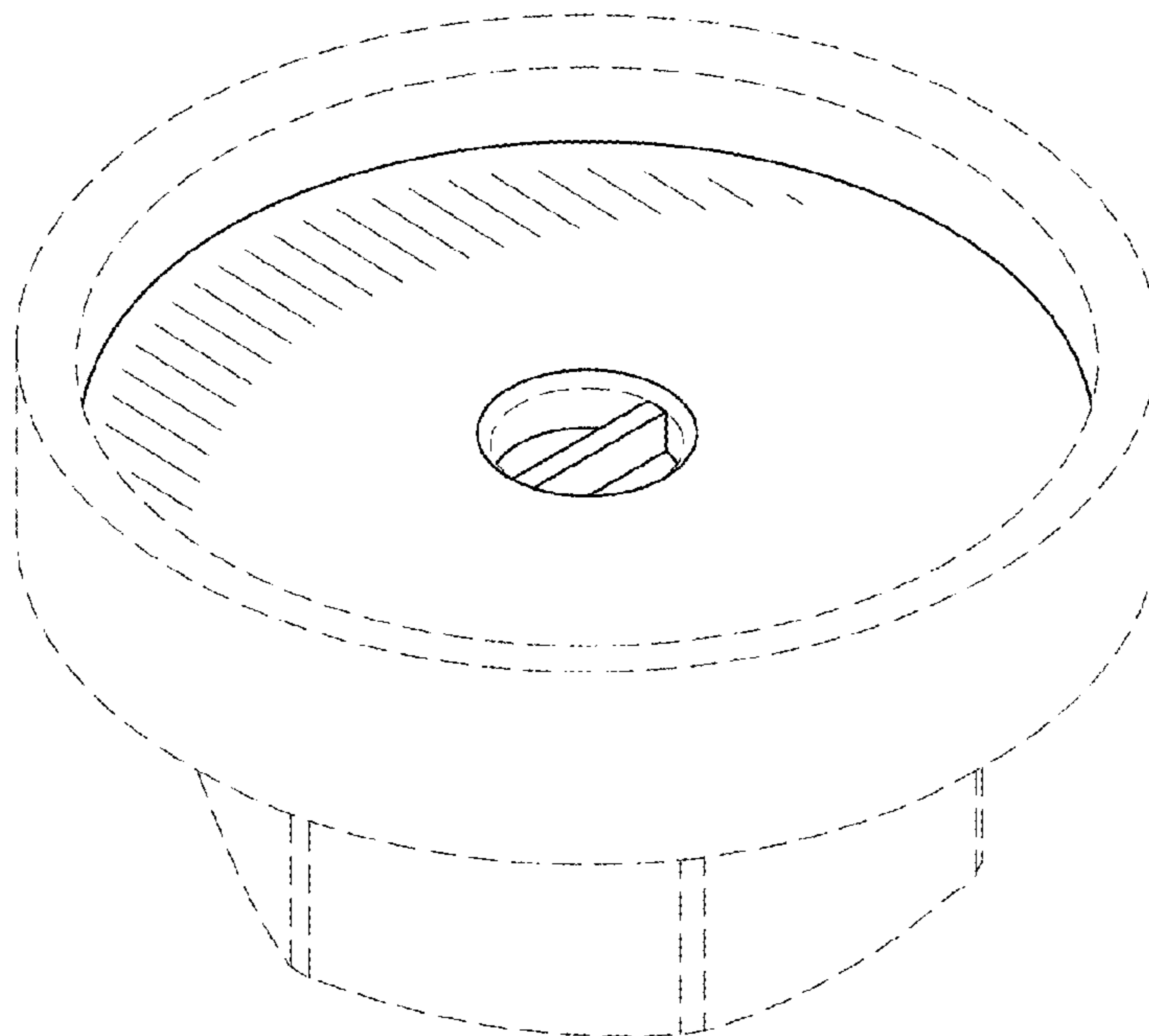
U.S. PATENT DOCUMENTS

- 2,698,637 A * 1/1955 Donovan B25B 23/08
81/451
- 3,288,185 A * 11/1966 Clark B25B 23/10
81/451
- 3,361,169 A * 1/1968 Charchenko B25B 23/005
192/113.1
- 3,517,714 A * 6/1970 Desbarats B25B 23/101
81/125
- 3,604,488 A * 9/1971 Wishart B25B 23/101
81/451
- 3,739,825 A * 6/1973 Knox B25B 23/101
81/451
- 5,009,133 A * 4/1991 Carey B25B 13/06
81/180.1
- D339,278 S * 9/1993 Rainey B25B 21/00
D8/82

DESCRIPTION

FIG. 1 is a top front perspective view of a screwdriver showing my new design.
FIG. 2 is a bottom rear perspective view thereof.
FIG. 3 is a left side elevational view thereof.
FIG. 4 is a right side elevational view thereof.
FIG. 5 is a front elevational view thereof.
FIG. 6 is a rear elevational view thereof.
FIG. 7 is a top elevational view thereof; and,
FIG. 8 is a bottom elevational view thereof.
The broken lines are for the purpose of illustrating the environment of the design only and form no part of the claimed design.

1 Claim, 4 Drawing Sheets



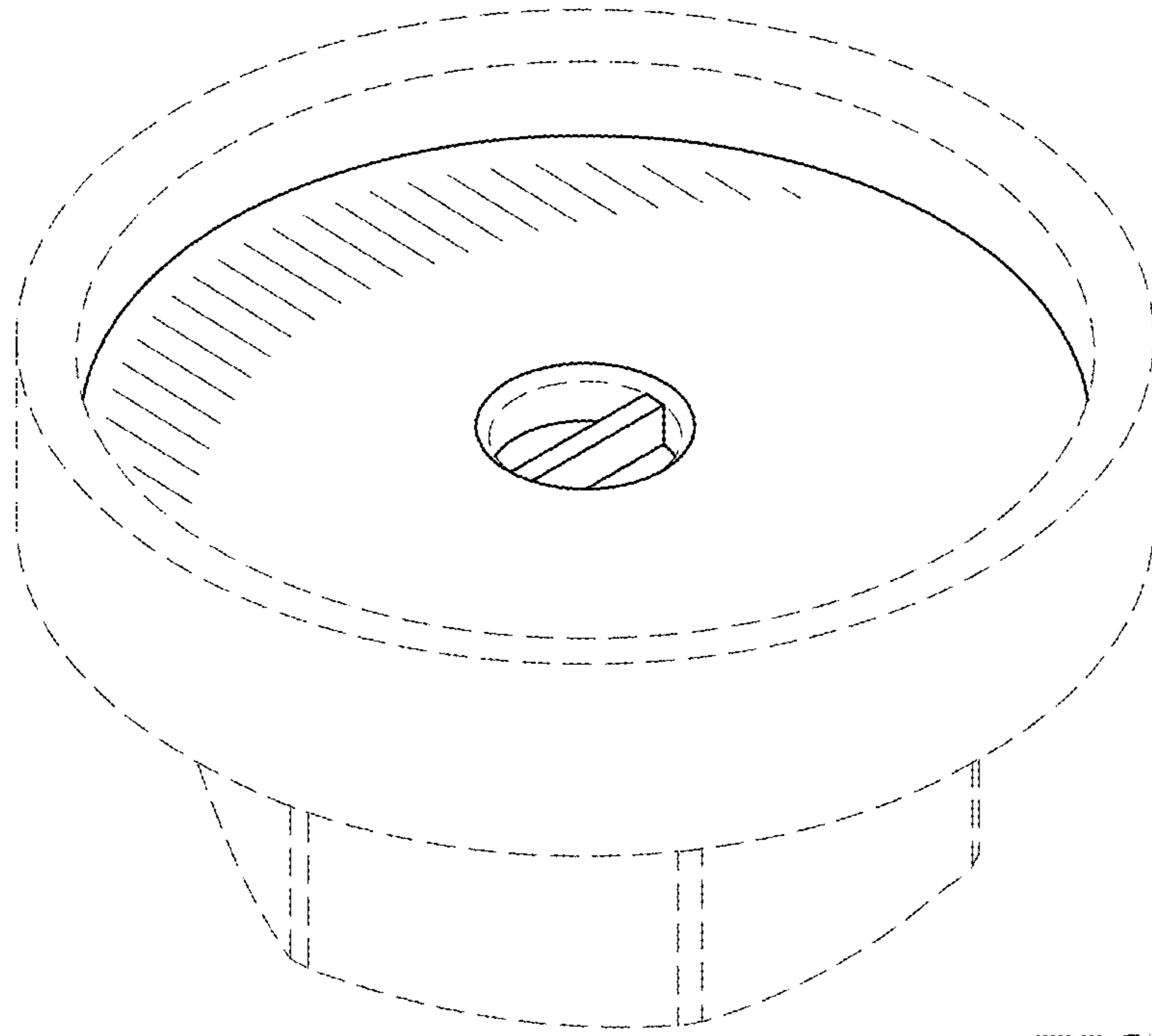


FIG. 1

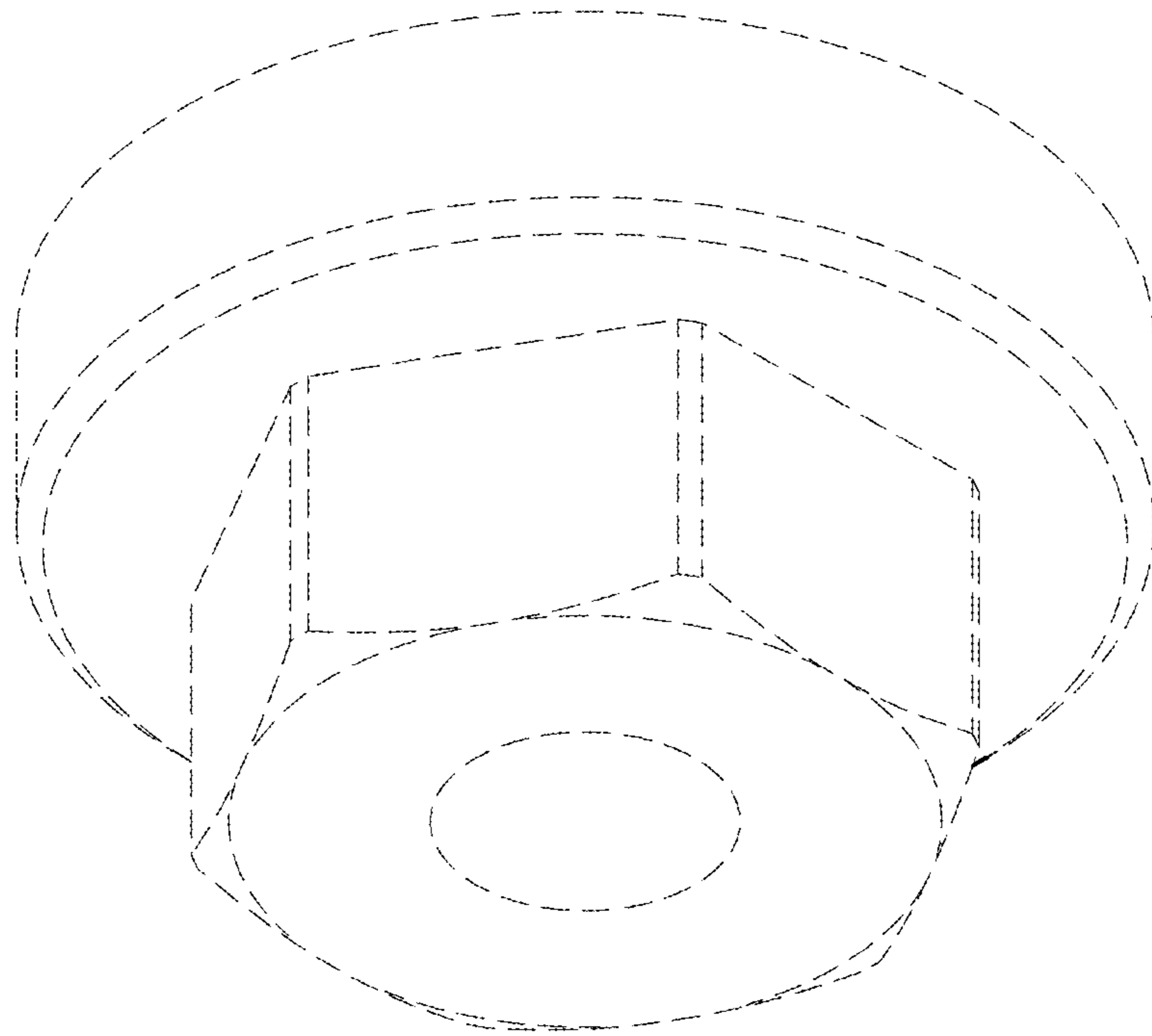


FIG. 2

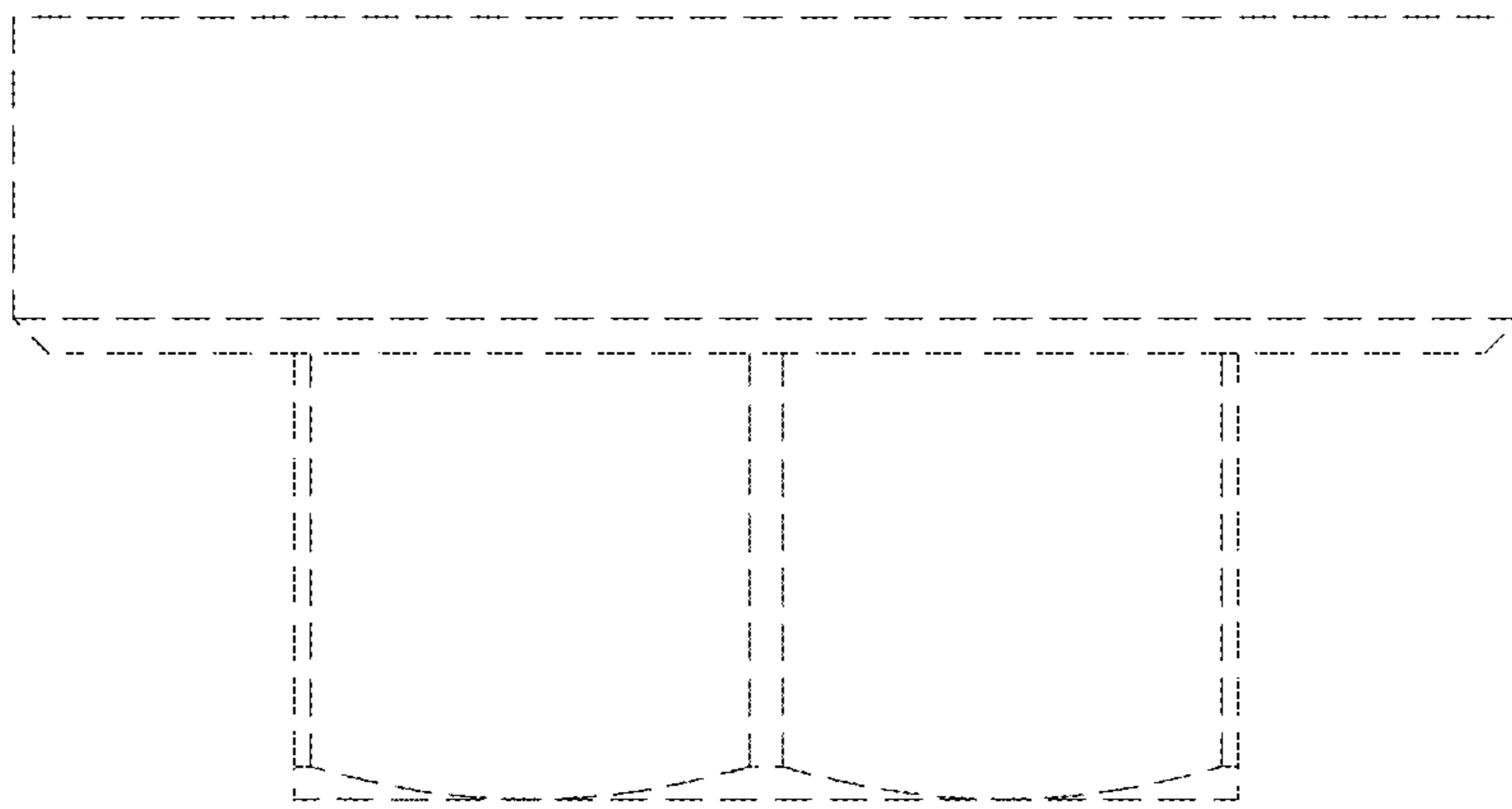


FIG. 3

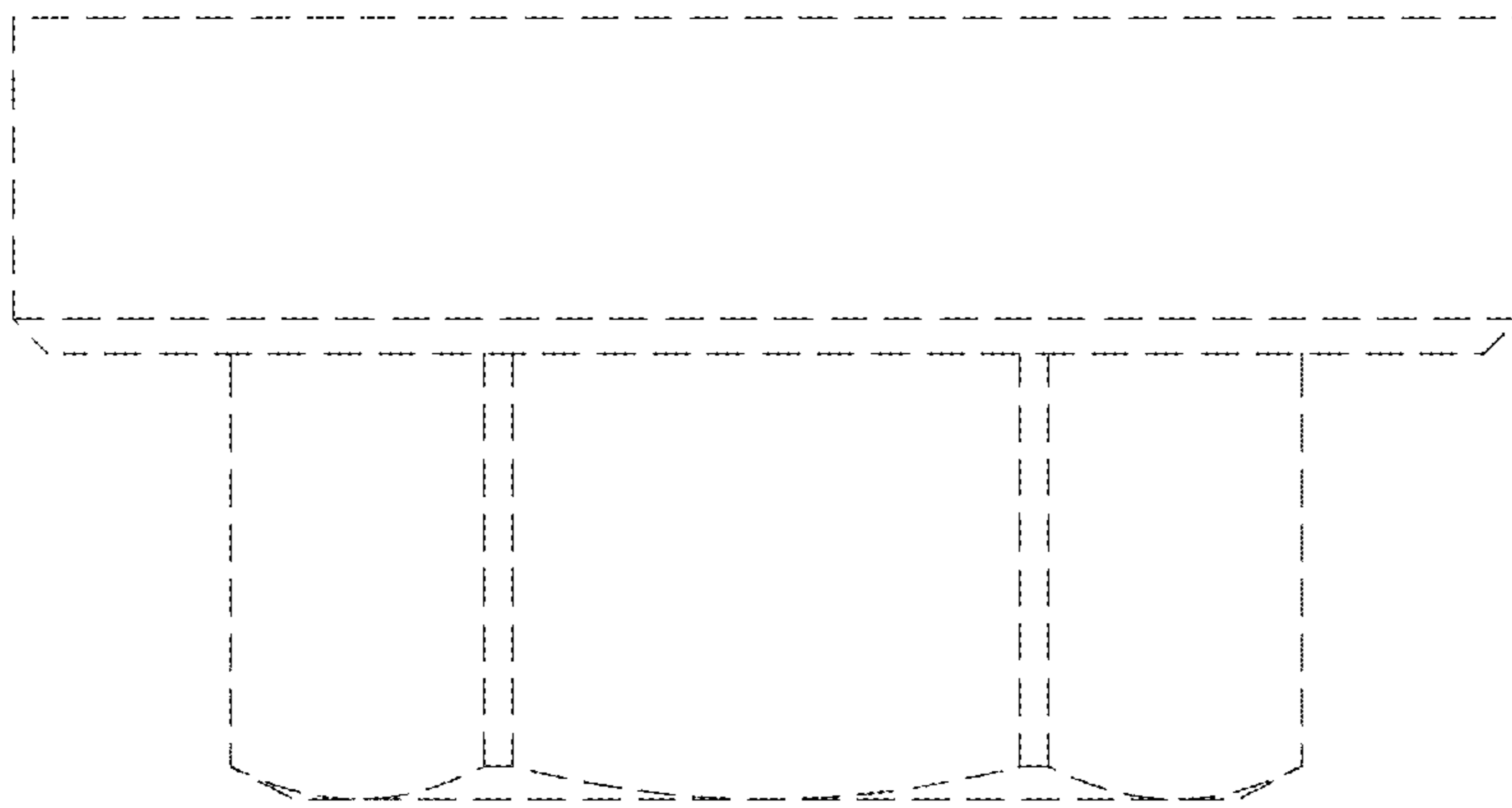


FIG. 4

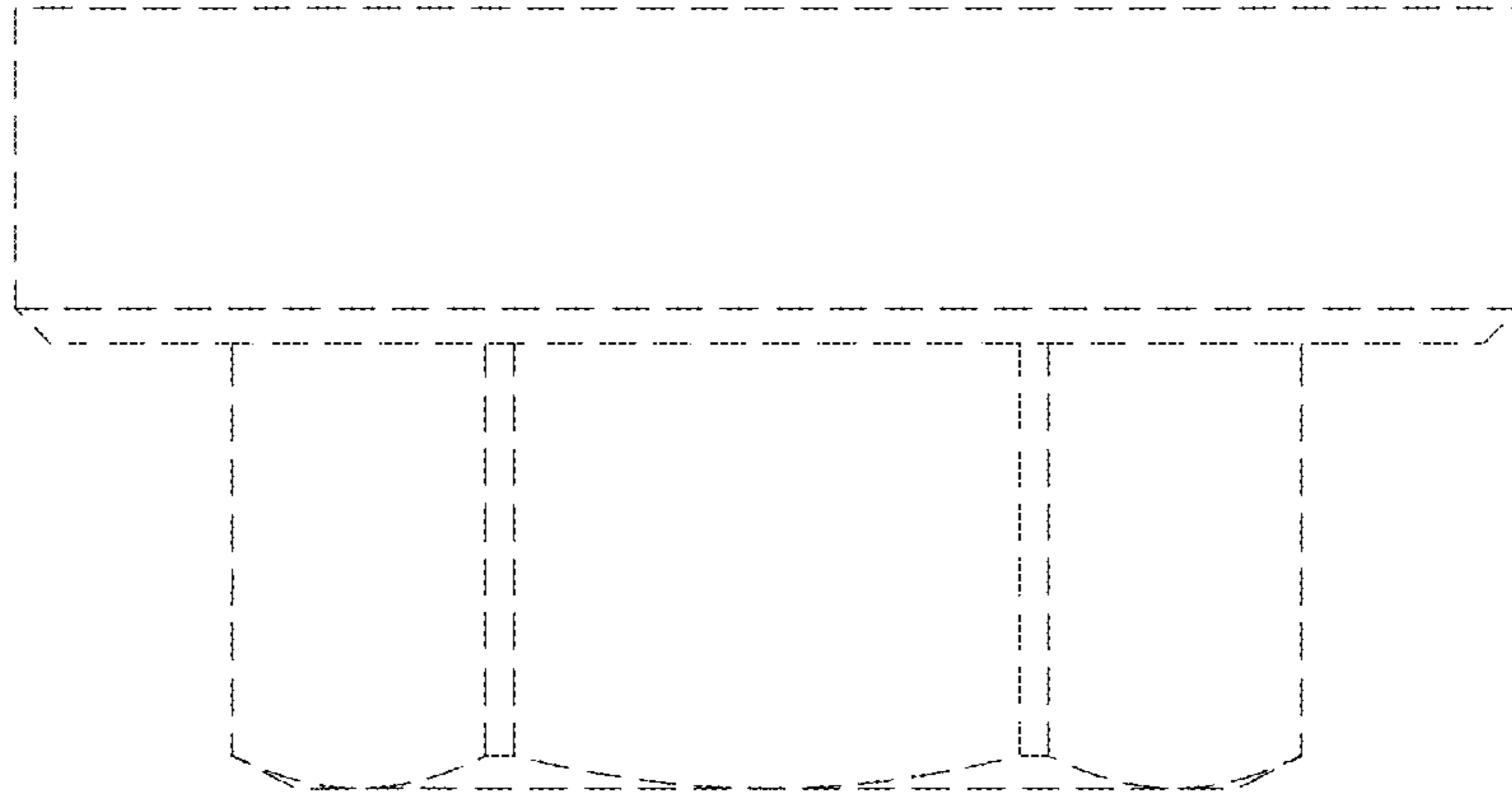


FIG. 5

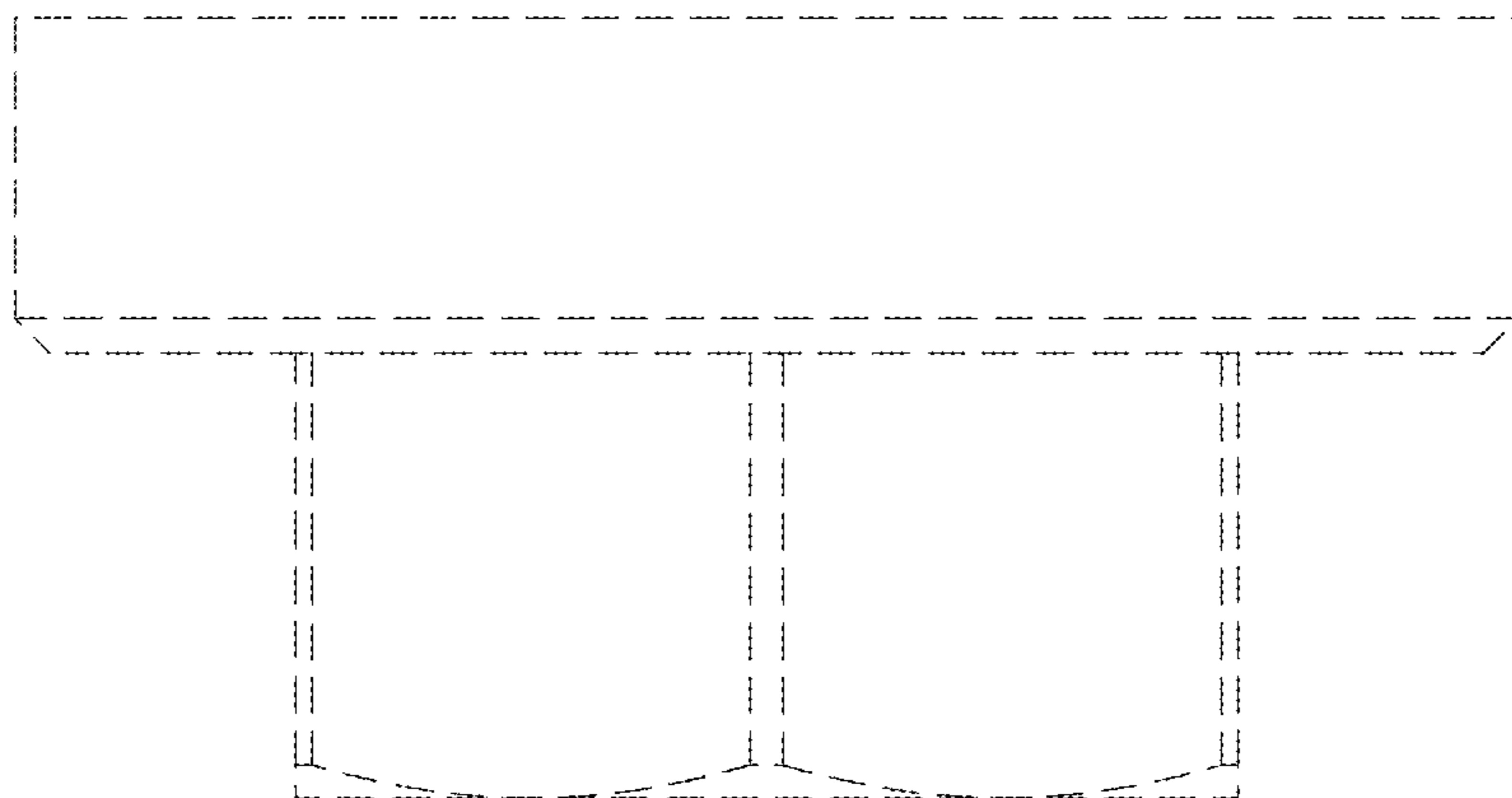


FIG. 6

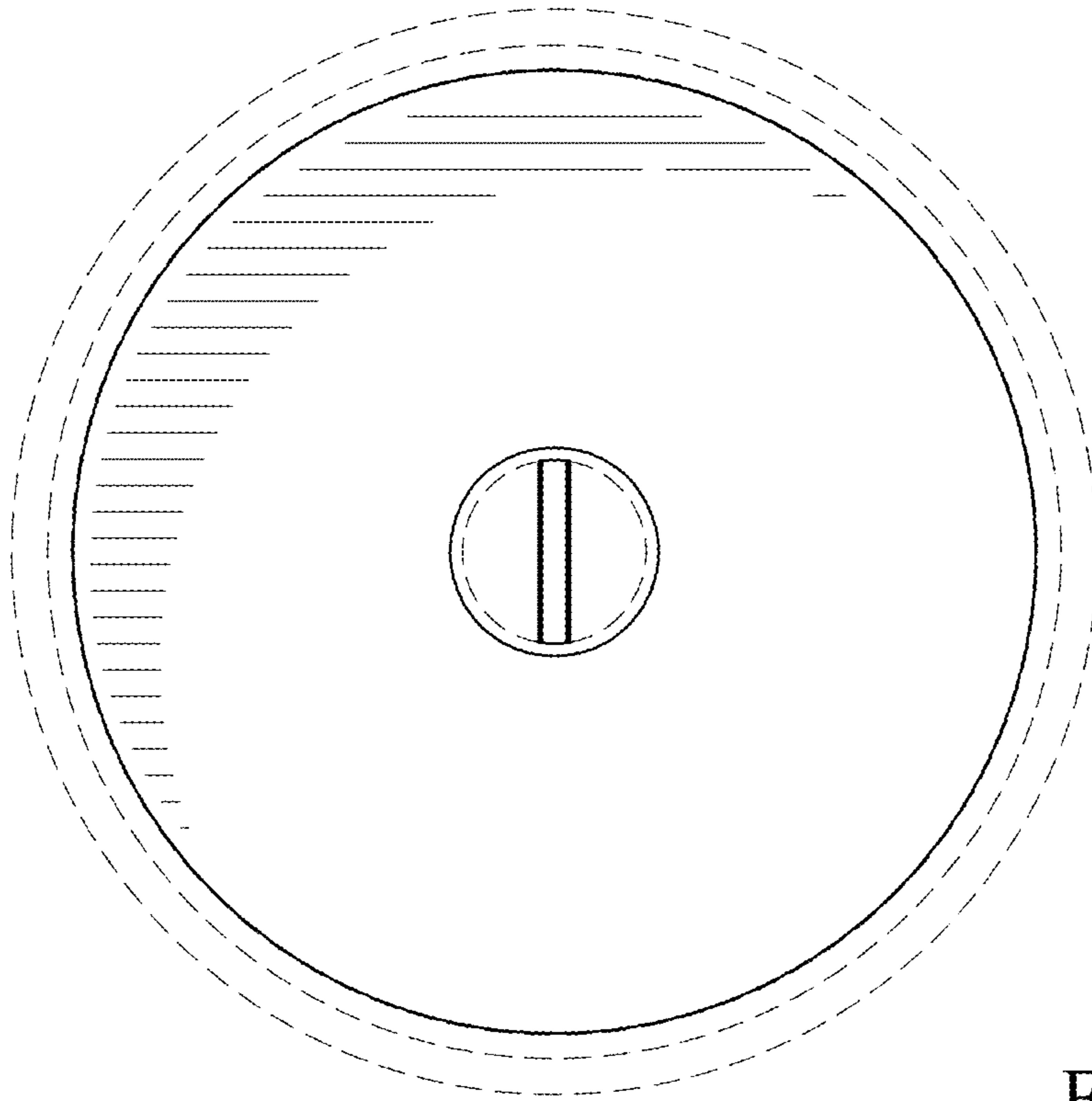


FIG. 7

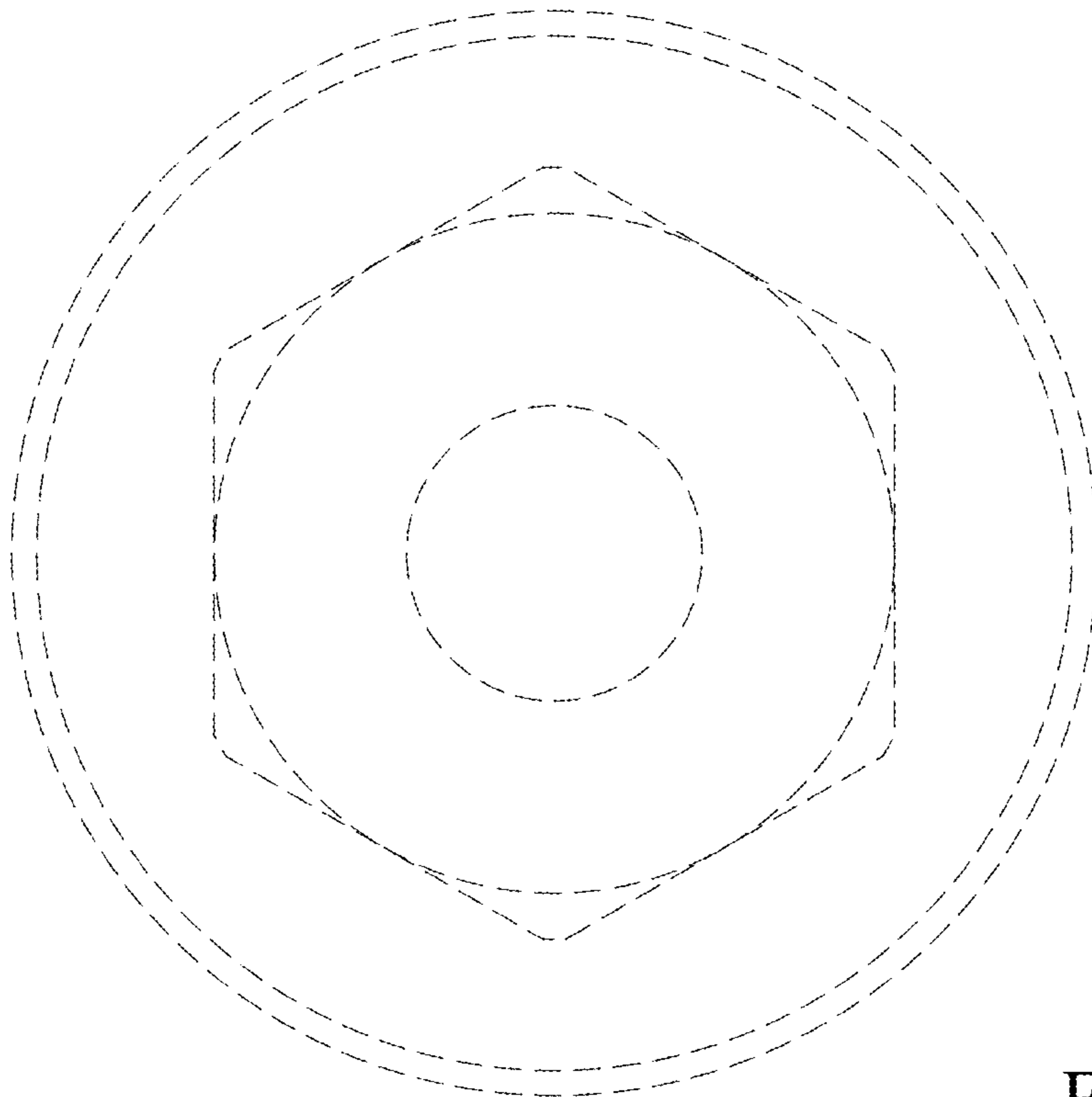


FIG. 8