

US00D975518S

(12) **United States Design Patent**
Lee et al.

(10) **Patent No.:** **US D975,518 S**
(45) **Date of Patent:** **** Jan. 17, 2023**

(54) **HAMMER**
(71) Applicant: **Byung Dae Lee**, Cumming, GA (US)
(72) Inventors: **Byung Dae Lee**, Cumming, GA (US);
Ensam Lee, Brooklyn, NY (US); **Enbe Lee**, Brooklyn, NY (US)

D375,240 S * 11/1996 Campbell D8/80
D396,790 S * 8/1998 Legacy D8/80
7,367,545 B1 * 5/2008 Chen B25C 11/00
254/21
D650,653 S * 12/2011 Colangelo D8/80
D933,442 S * 10/2021 Berrouard D8/80
2010/0043149 A1 * 2/2010 Chen B66F 15/00
7/143

(73) Assignee: **Byung Dae Lee**, Cumming, GA (US)

* cited by examiner

(**) Term: **15 Years**

Primary Examiner — Philip S Hyder

(21) Appl. No.: **29/755,548**

(74) *Attorney, Agent, or Firm* — Dinsmore & Shohl LLP;
Yongsok Choi, Esq.

(22) Filed: **Oct. 21, 2020**

(57) **CLAIM**

The ornamental design for a hammer, as shown and described.

(30) **Foreign Application Priority Data**

DESCRIPTION

Oct. 12, 2020 (KR) 30-2020-0048649

(51) **LOC (14) Cl.** **08-02**

(52) **U.S. Cl.**
USPC **D8/80**

(58) **Field of Classification Search**
USPC D8/75, 76, 77, 79, 80, 105, 300, 303
CPC ... B25D 1/00; B25D 1/02; B25D 1/04; B25D
1/045; B25D 1/06; B25D 1/10; B25D
1/12; B25G 1/102
See application file for complete search history.

FIG. 1 is a perspective view of a hammer;
FIG. 2 is a front view thereof;
FIG. 3 is a rear view thereof;
FIG. 4 is a left side view thereof;
FIG. 5 is a right side view thereof;
FIG. 6 is a top plan view thereof; and,
FIG. 7 is a bottom view thereof.

The dotted broken lines illustrate structure or features that form no part of the claimed design.

The dot-dash broken lines illustrate boundaries of the claimed design; the boundaries themselves form no part of the claimed design.

The drawings include surface shading which represents contour, not surface ornamentation.

(56) **References Cited**

U.S. PATENT DOCUMENTS

1,128,871 A * 2/1915 Holik F16B 2/08
403/243
D330,937 S * 11/1992 O'Connor D23/354

1 Claim, 7 Drawing Sheets

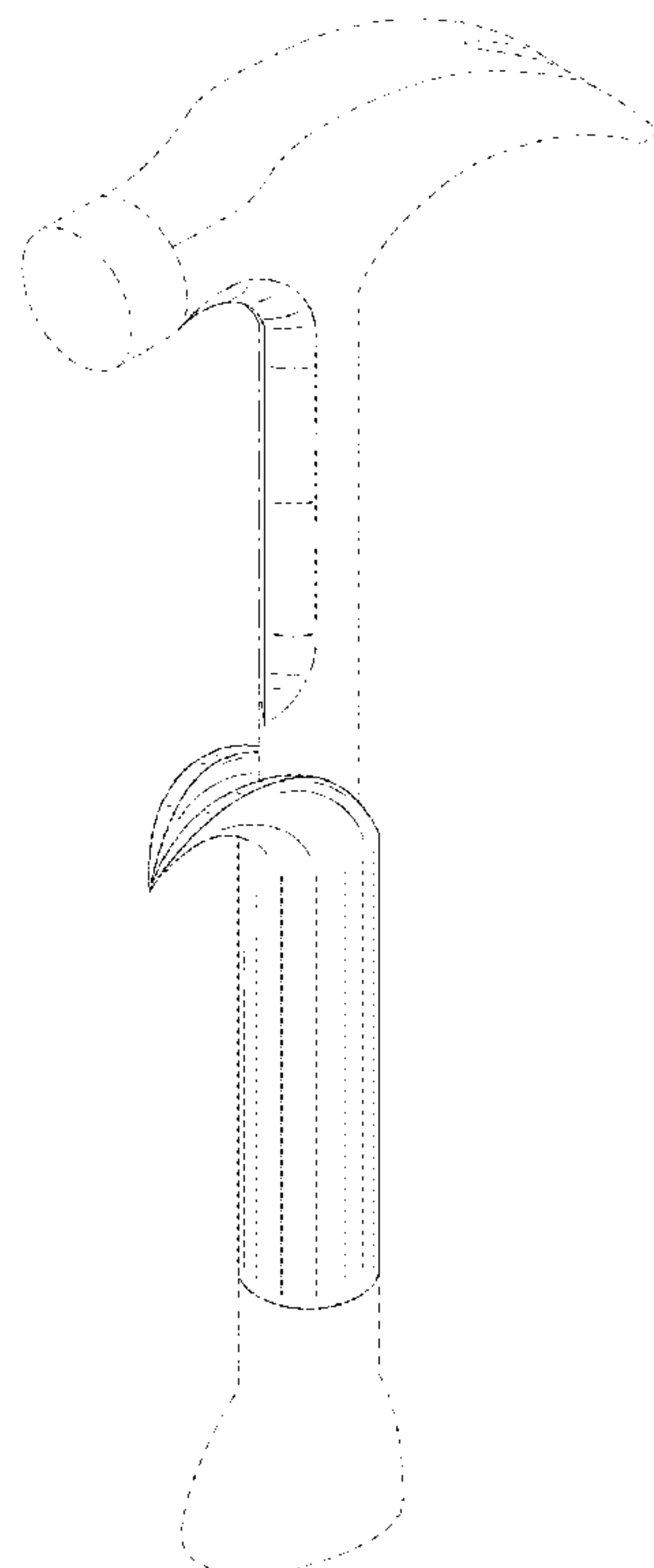


FIG. 1

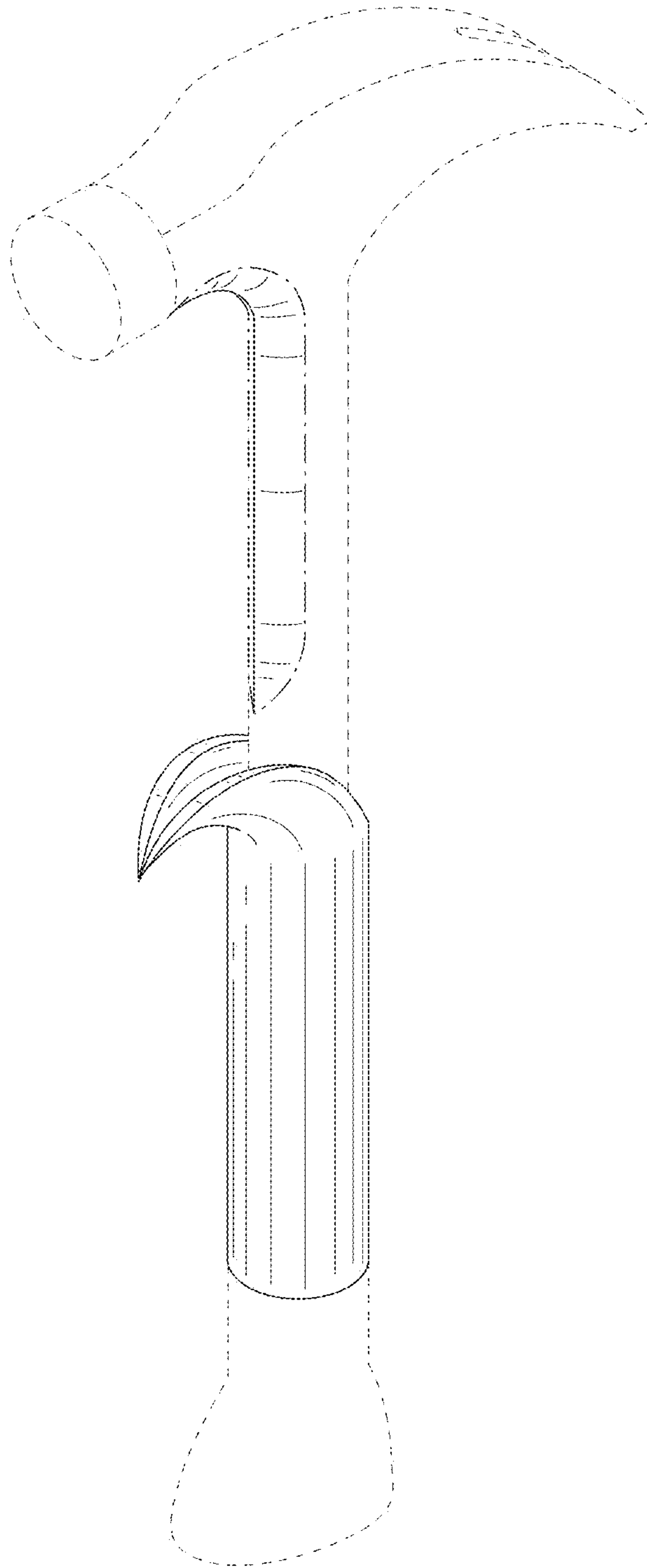


FIG. 2

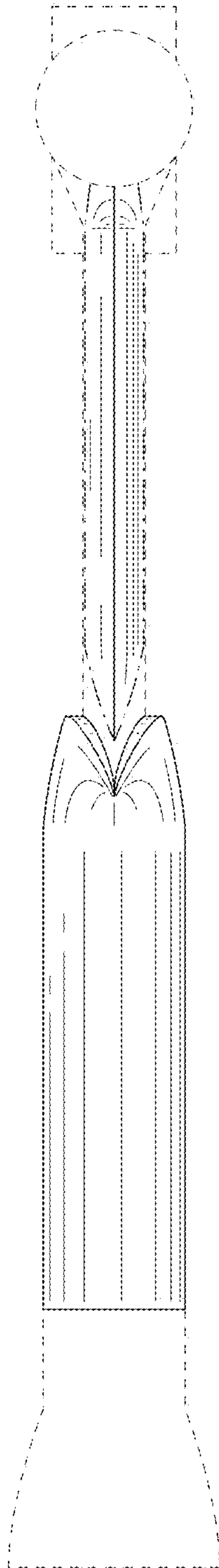


FIG. 3

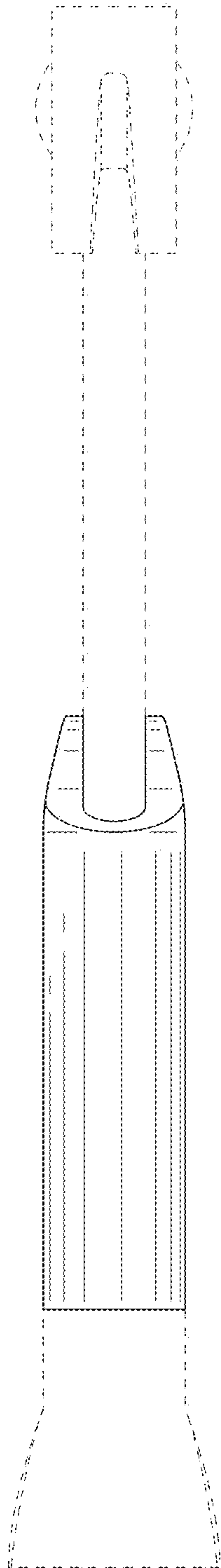


FIG. 4

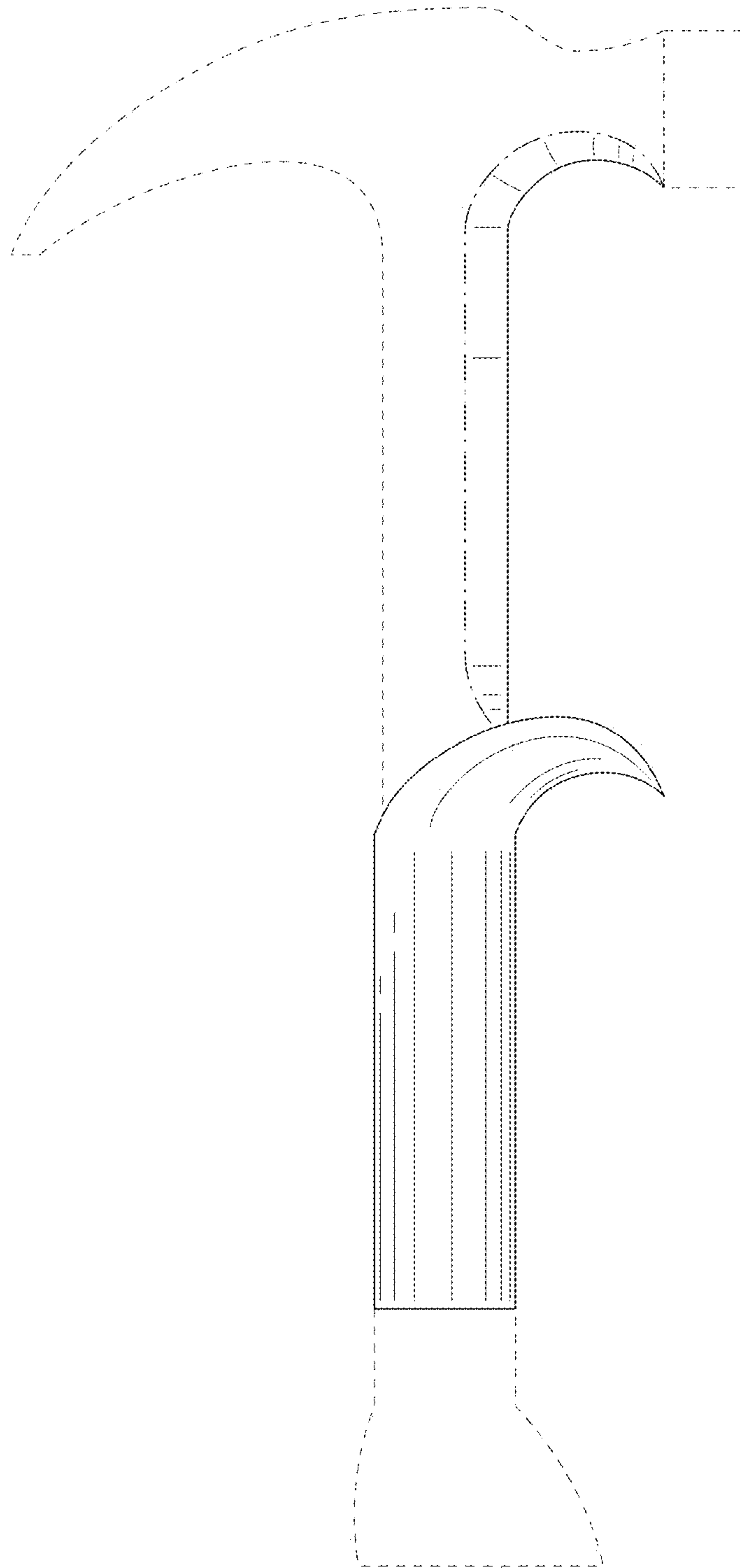


FIG. 5

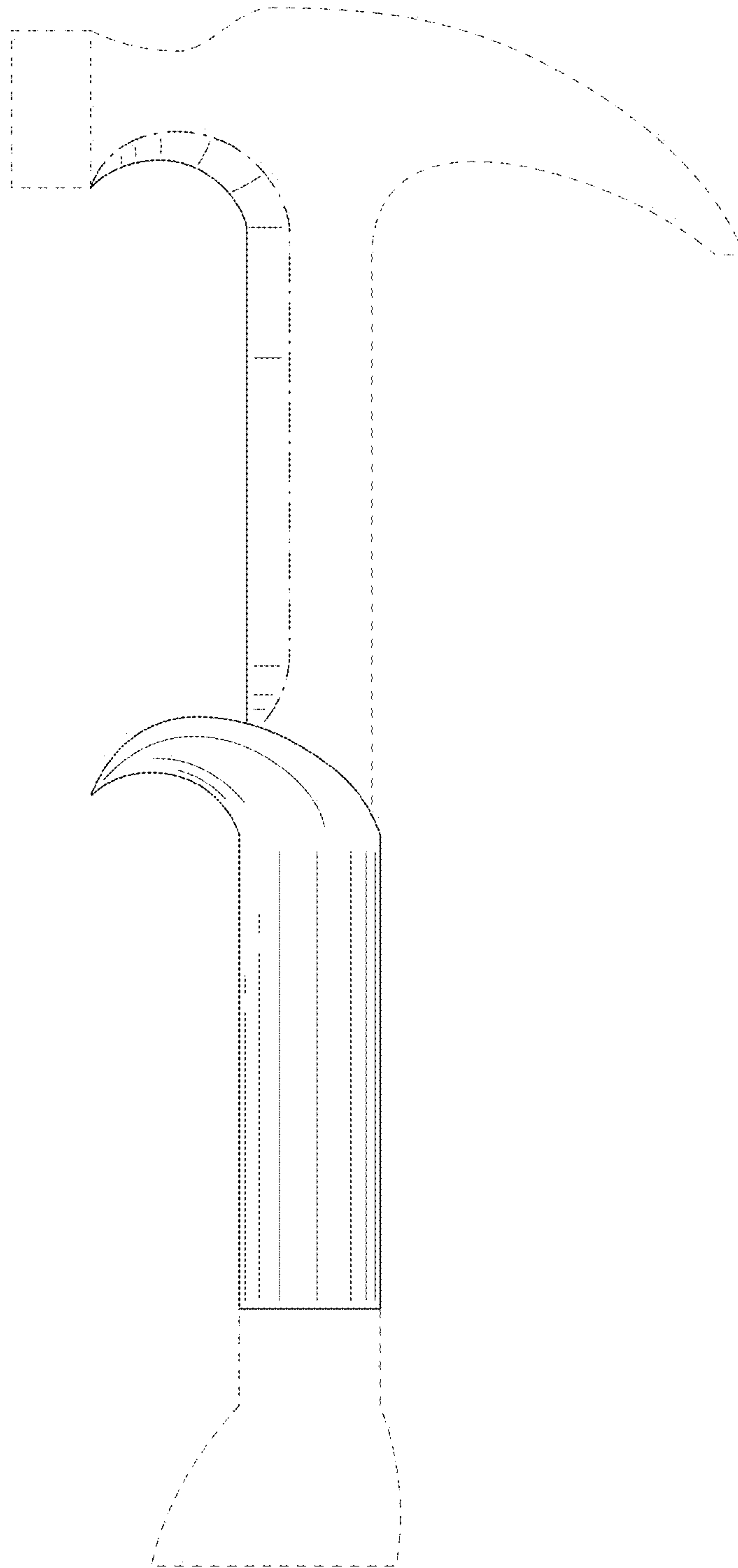


FIG. 6



FIG. 7

