



US00D975517S

(12) **United States Design Patent**  
**Hankin**

(10) **Patent No.:** **US D975,517 S**

(45) **Date of Patent:** **\*\* Jan. 17, 2023**

(54) **QUILL CLAMP WITH CENTRAL LOCKING  
DUAL ARM FLEXIBLE INDICATOR  
HOLDER**

(71) Applicant: **Yaron Hankin**, Granada Hills, CA (US)

(72) Inventor: **Yaron Hankin**, Granada Hills, CA (US)

(\*\*) Term: **15 Years**

(21) Appl. No.: **29/736,097**

(22) Filed: **May 27, 2020**

(51) **LOC (14) Cl.** ..... **08-05**

(52) **U.S. Cl.**  
USPC ..... **D8/72**

(58) **Field of Classification Search**  
USPC ..... D8/71-74, 394-399, 59  
CPC ..... B25B 1/00; B25B 5/00  
See application file for complete search history.

(56) **References Cited**

**U.S. PATENT DOCUMENTS**

|              |         |          |       |         |
|--------------|---------|----------|-------|---------|
| D263,113 S * | 2/1982  | Gehrke   | ..... | D8/74   |
| D286,971 S * | 12/1986 | Lund     | ..... | D8/394  |
| D299,906 S * | 2/1989  | Greulich | ..... | D8/73   |
| D317,558 S * | 6/1991  | Daigle   | ..... | D8/394  |
| D326,407 S * | 5/1992  | Ito      | ..... | D8/395  |
| D331,189 S * | 11/1992 | Daigle   | ..... | D8/394  |
| D332,562 S * | 1/1993  | Fremont  | ..... | D8/73   |
| D339,782 S * | 9/1993  | Yoder    | ..... | D8/394  |
| D355,104 S * | 2/1995  | Sorensen | ..... | D8/72   |
| D365,263 S * | 12/1995 | Sorensen | ..... | D8/74   |
| D379,142 S * | 5/1997  | Miller   | ..... | D8/71   |
| D401,941 S * | 12/1998 | Slappey  | ..... | D14/223 |

|              |         |              |       |                    |
|--------------|---------|--------------|-------|--------------------|
| D411,220 S * | 6/1999  | Surabian     | ..... | 396/428            |
| D412,832 S * | 8/1999  | Senninger    | ..... | D8/395             |
| D414,404 S * | 9/1999  | van de Lande | ..... | D8/396             |
| D415,017 S * | 10/1999 | Lo           | ..... | D8/396             |
| D440,853 S * | 4/2001  | Welsh        | ..... | D8/73              |
| D719,000 S * | 12/2014 | Palmer       | ..... | B62B 1/12<br>D8/73 |
| D739,710 S * | 9/2015  | Bukovitz     | ..... | D8/355             |
| D742,711 S * | 11/2015 | Maxfield     | ..... | D8/73              |
| D743,244 S * | 11/2015 | Anderson     | ..... | D8/394             |
| D778,135 S * | 2/2017  | Blank        | ..... | D8/72              |
| D805,366 S * | 12/2017 | Gassner      | ..... | D8/72              |
| D909,166 S * | 2/2021  | Alva         | ..... | D8/73              |
| D921,467 S * | 6/2021  | Fiegenger    | ..... | D8/74              |
| D946,992 S * | 3/2022  | Ye           | ..... | D8/74              |

\* cited by examiner

*Primary Examiner* — David G Muller

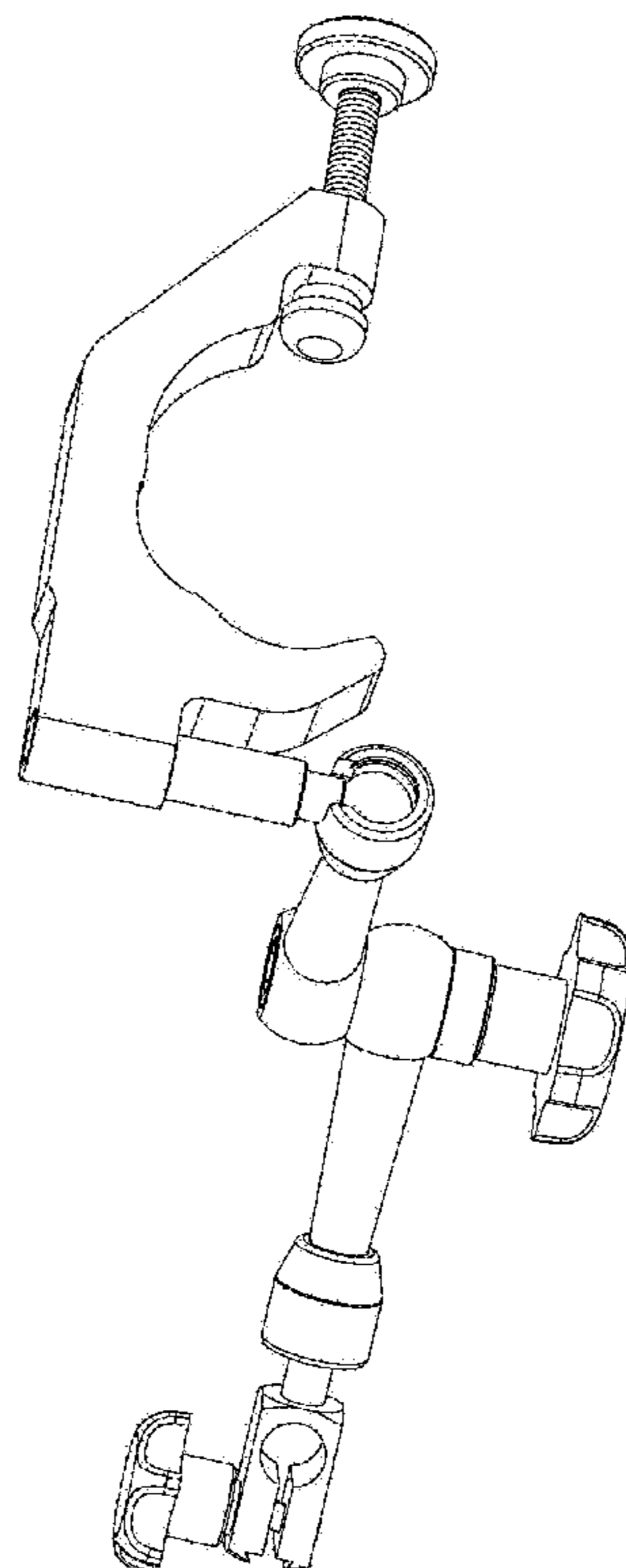
(57) **CLAIM**

The ornamental design for a quill clamp with central locking dual arm flexible indicator holder, as shown and described.

**DESCRIPTION**

FIG. 1 is a head on, left perspective view of a quill clamp with central locking dual arm flexible indicator holder showing my new design;  
FIG. 2. is a right side view thereof;  
FIG. 3. Is a left side view thereof;  
FIG. 4. is a bottom plan view thereof;  
FIG. 5. is a top plan view thereof;  
FIG. 6. Is a rear end view thereof; and,  
FIG. 7. is a head on view thereof.

**1 Claim, 7 Drawing Sheets**



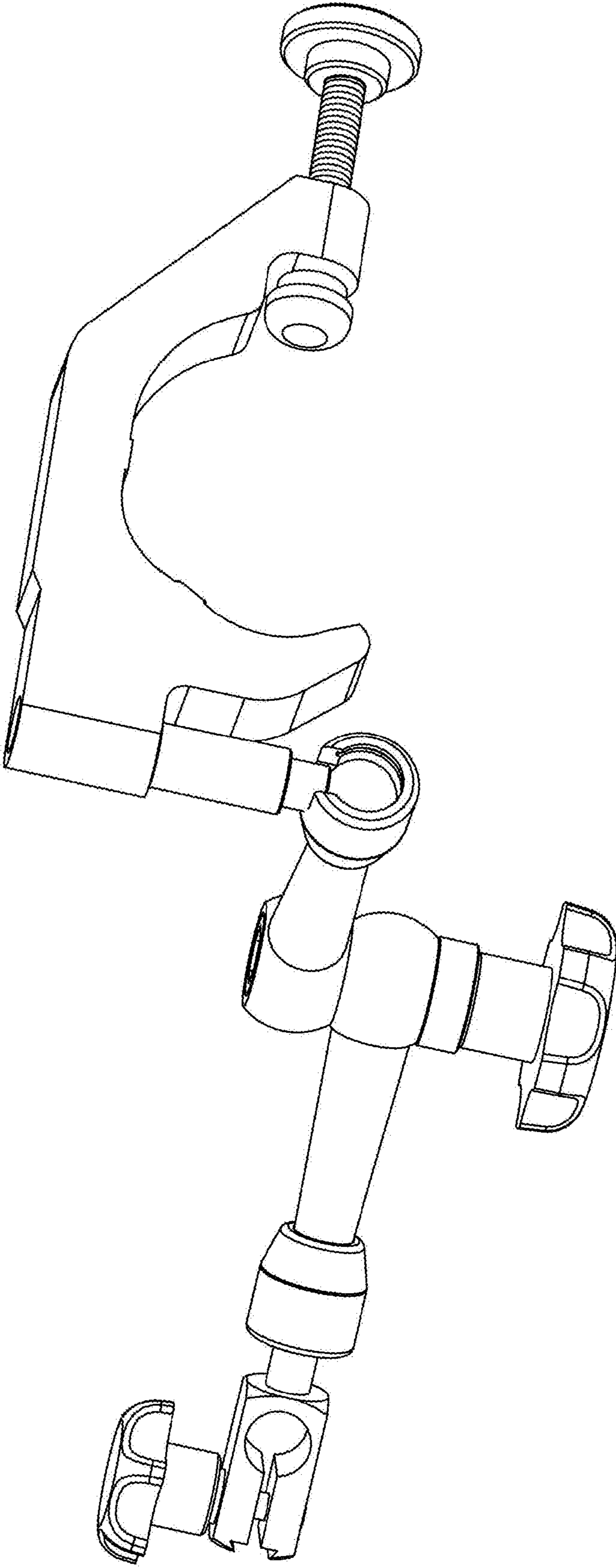


Fig. 1

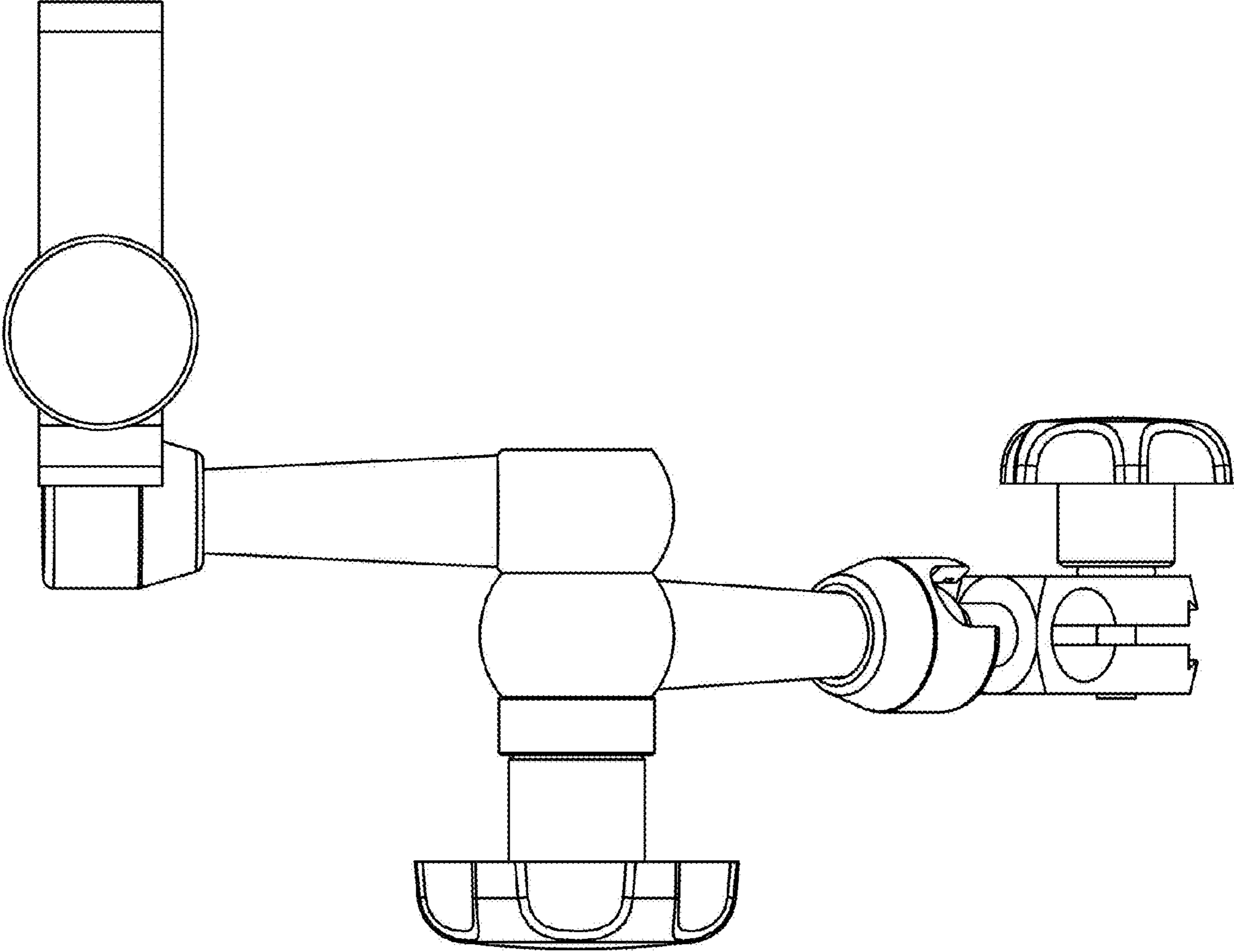


Fig. 2

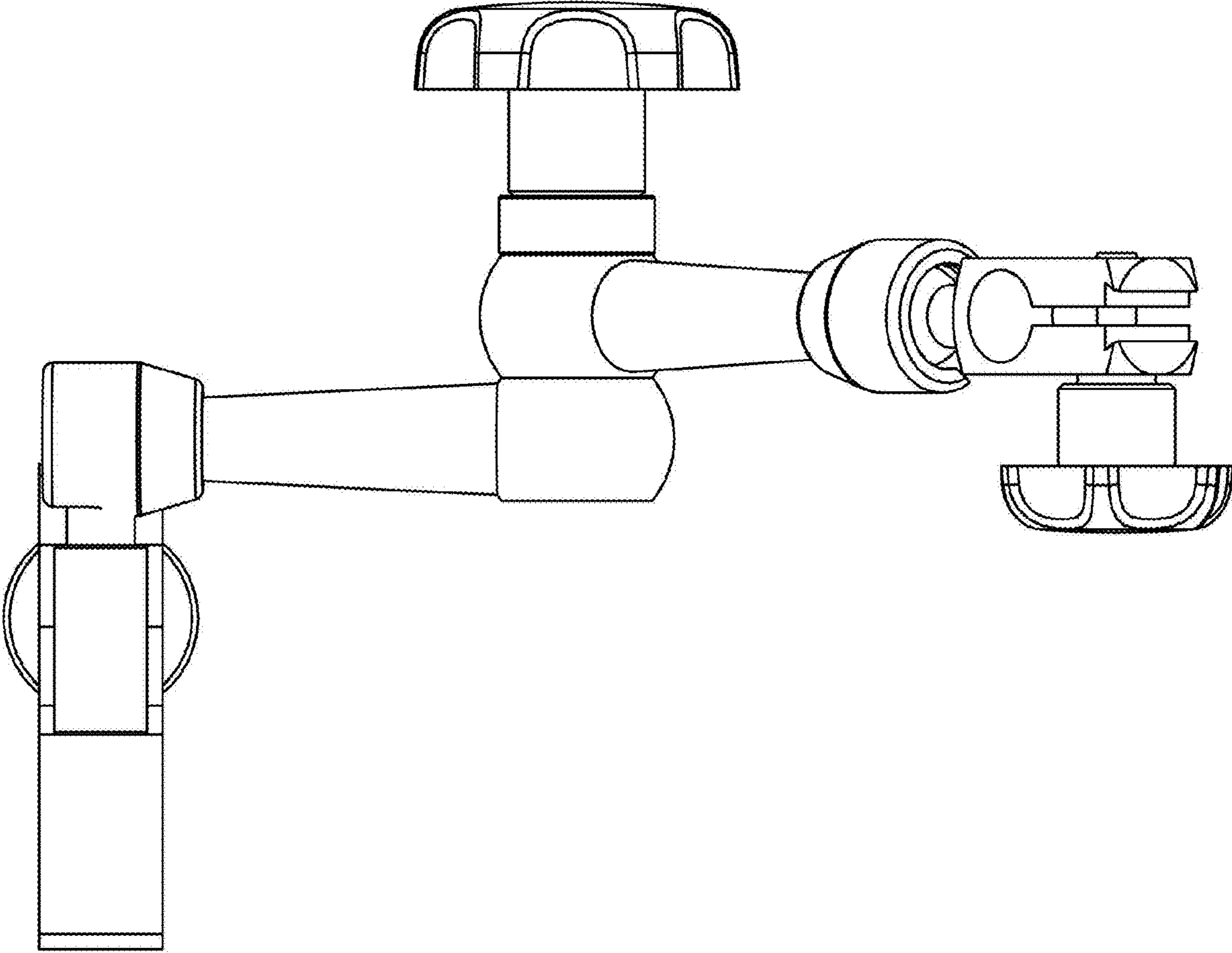


Fig. 3

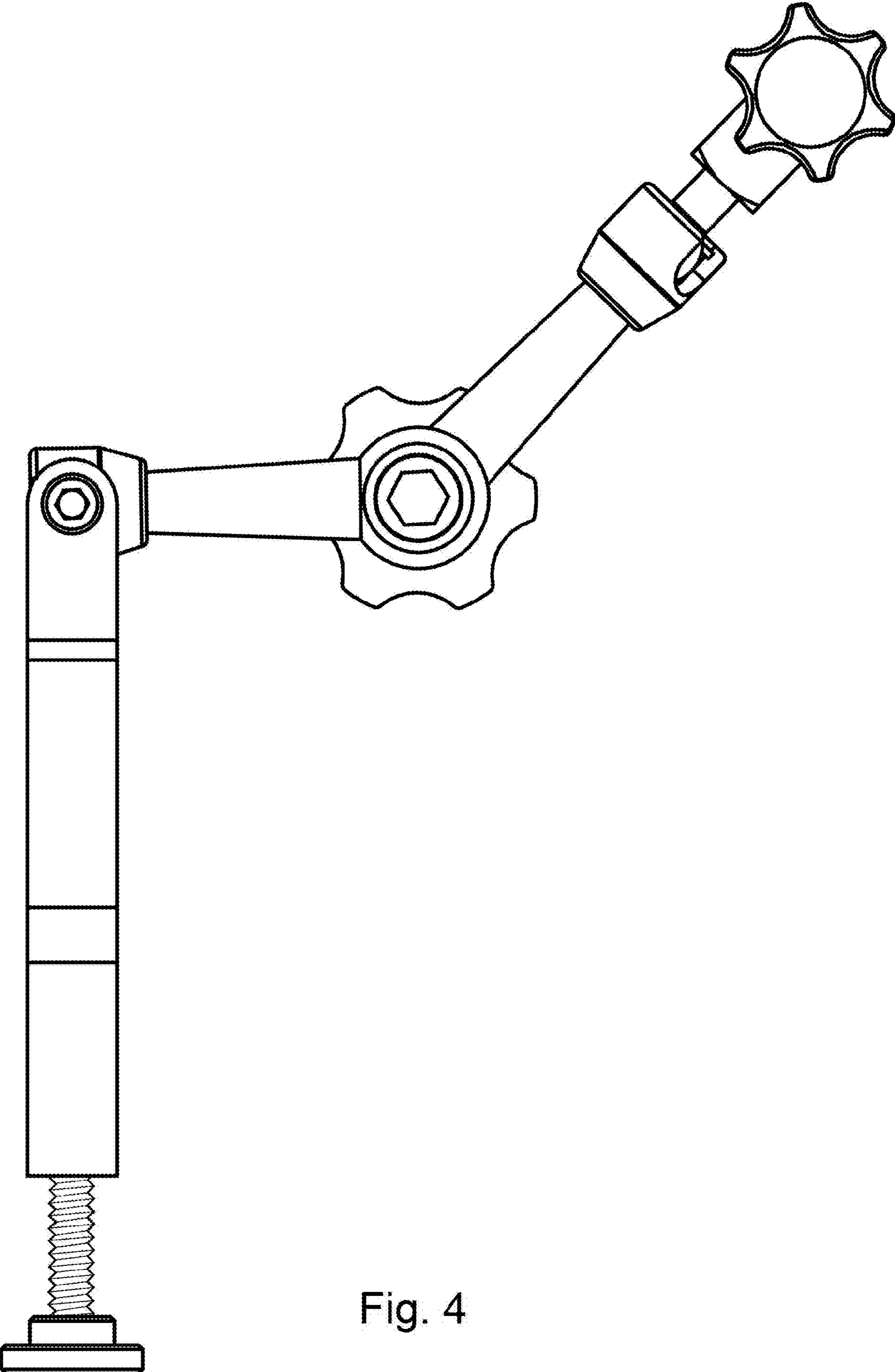


Fig. 4

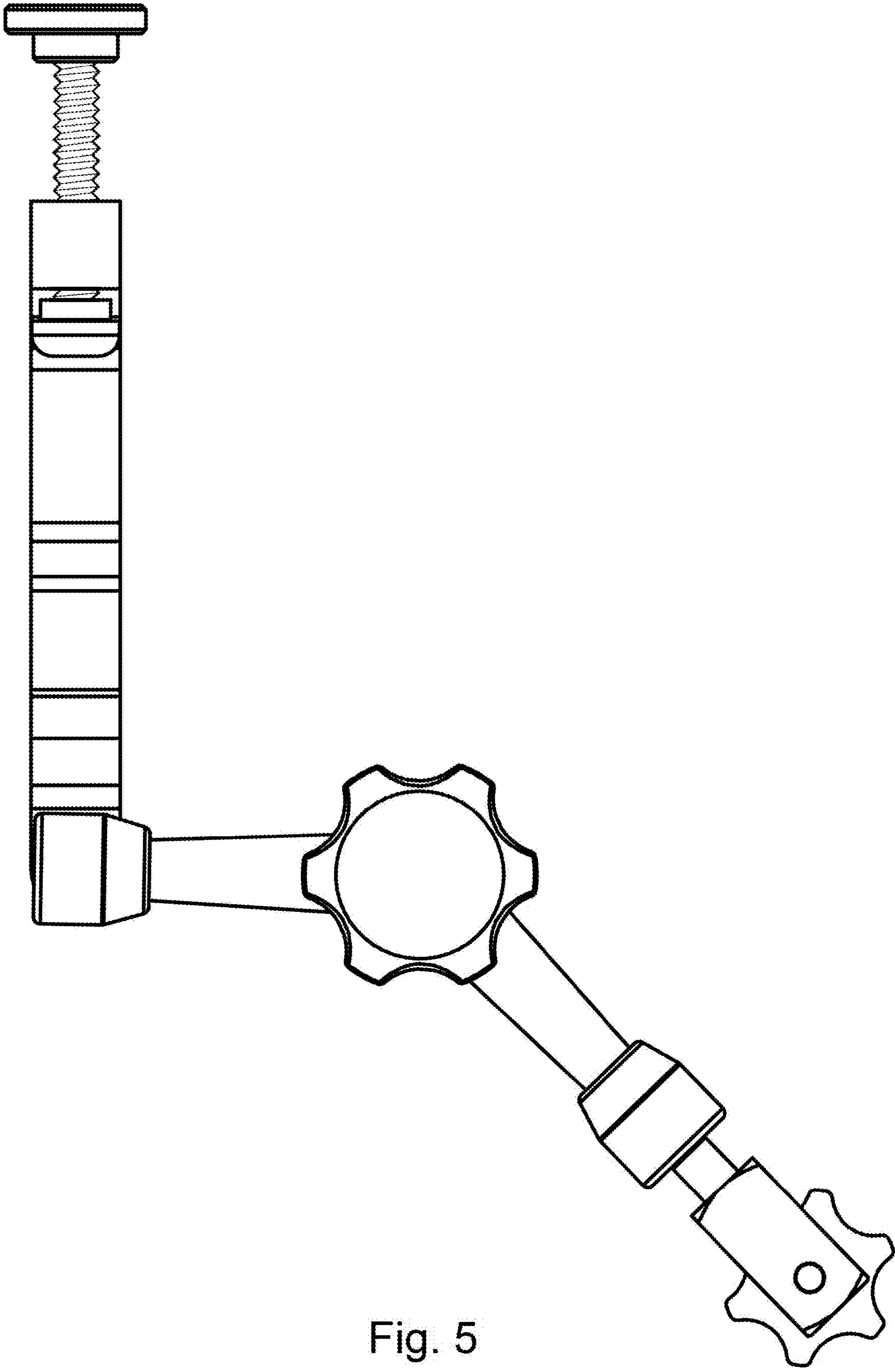


Fig. 5

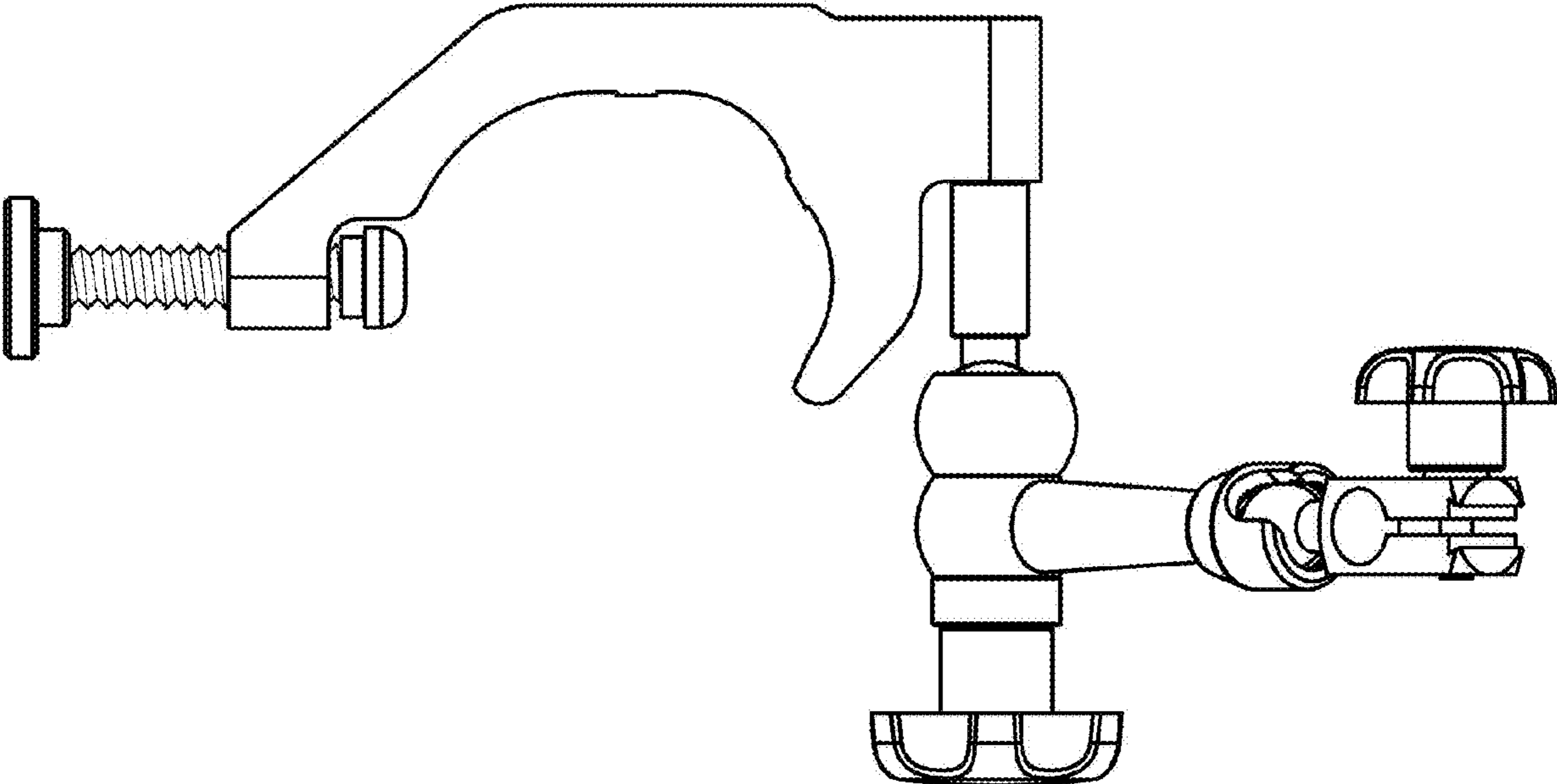


Fig. 6

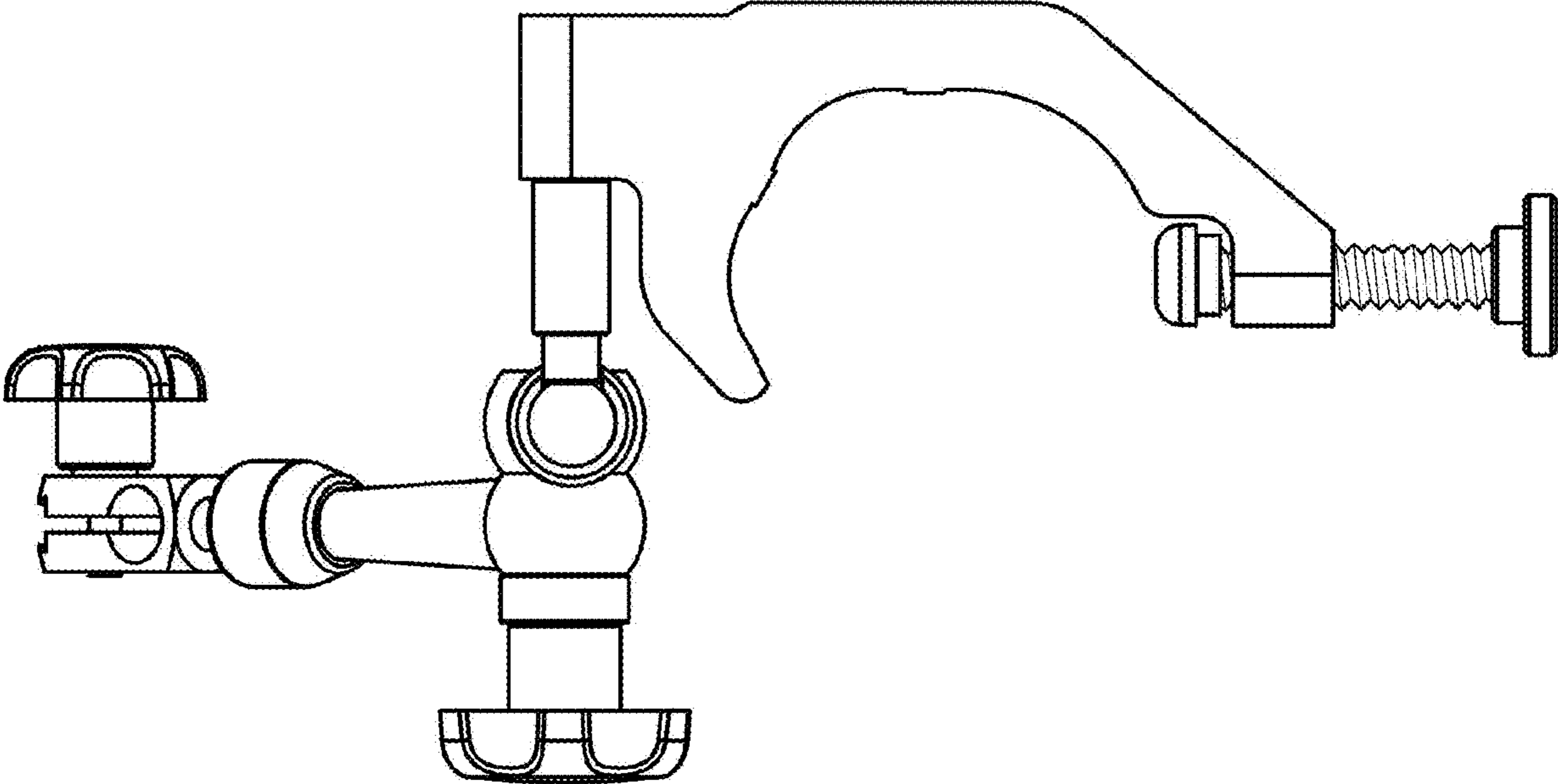


Fig. 7