



US00D975515S

(12) **United States Design Patent**
Buck

(10) **Patent No.:** **US D975,515 S**
(45) **Date of Patent:** **** Jan. 17, 2023**

- (54) **HARDWARE JIG**
- (71) Applicant: **Ezekiel O. Buck**, Elburn, IL (US)
- (72) Inventor: **Ezekiel O. Buck**, Elburn, IL (US)
- (73) Assignee: **Nomis LLC**, Palatine, IL (US)
- (**) Term: **15 Years**
- (21) Appl. No.: **29/795,043**
- (22) Filed: **Jun. 16, 2021**
- (51) **LOC (14) Cl.** **08-05**
- (52) **U.S. Cl.**
USPC **D8/71**
- (58) **Field of Classification Search**
USPC D8/14, 16, 70-71, 322, 377
CPC A47B 88/423; A47B 88/433; B23B 47/28;
B23B 47/287; B23B 2247/12; B23B
2260/088; B25H 1/0078; B25H 7/00;
Y10S 408/712; Y10T 408/5653; Y10T
408/567
See application file for complete search history.

2,647,325 A 8/1953 Little
2,698,999 A * 1/1955 McCollum B25H 7/00
33/565
2,807,095 A 9/1957 Maxwell
(Continued)

FOREIGN PATENT DOCUMENTS

EP 2016364 B1 11/2012
GB 2460836 A 12/2009
(Continued)

OTHER PUBLICATIONS

“Tourace Cabinet Hardware Jig”, Oct. 28, 2018, Amazon.com, site visited Sep. 29, 2022: <https://www.amazon.com/dp/B07JYQKG5Y> (Year: 2018).*
(Continued)

Primary Examiner — Jack Reickel
Assistant Examiner — Michael A Kervin
(74) *Attorney, Agent, or Firm* — Reinhart Boerner Van Deuren P.C.

(57) **CLAIM**
I claim the ornamental design for the hardware jig, as shown and described.

(56) **References Cited**

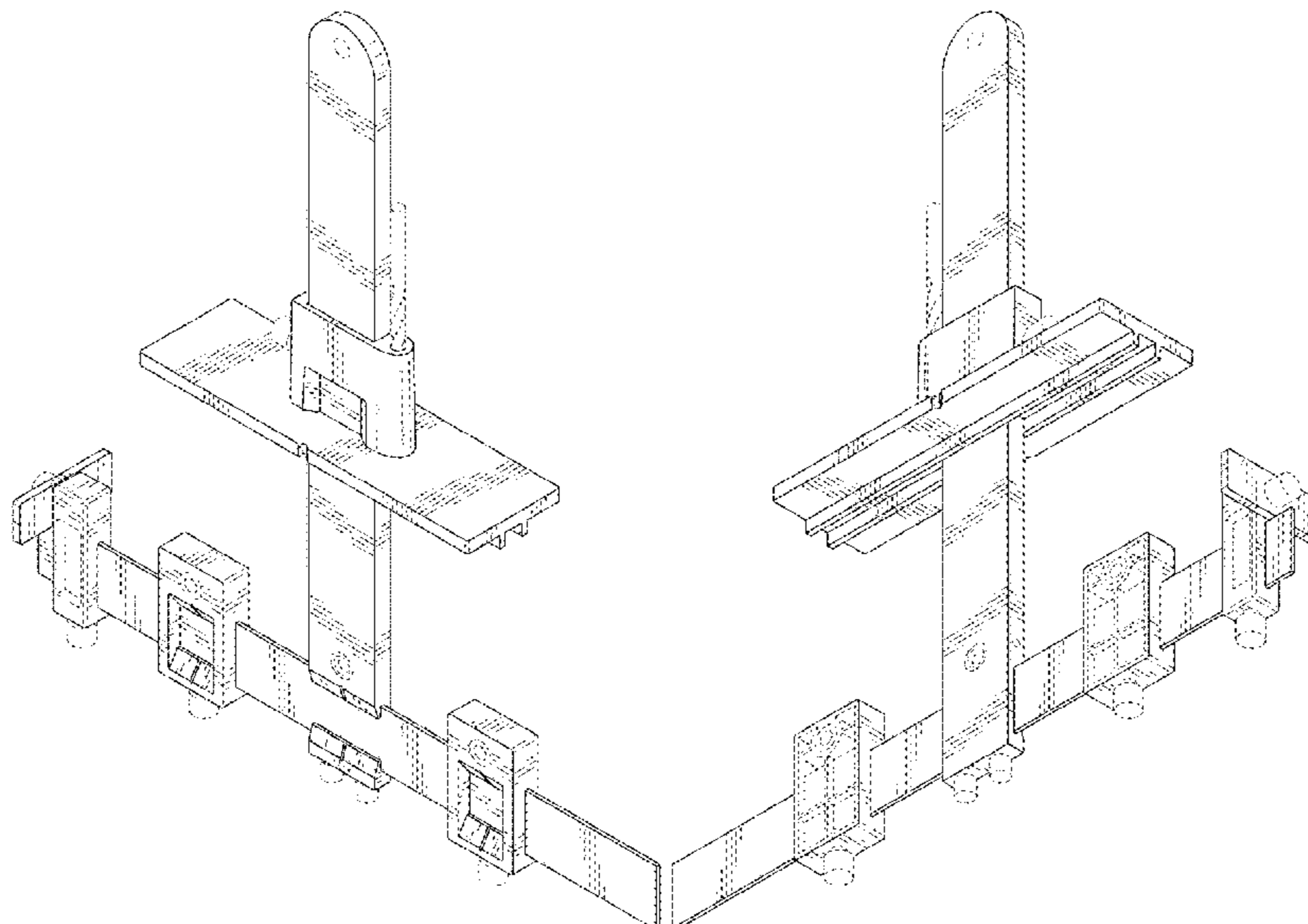
U.S. PATENT DOCUMENTS

- 826,425 A * 7/1906 Heathcote B43L 7/12
D10/64
- 2,083,490 A * 6/1937 Boker B25H 7/02
33/675
- 2,203,992 A * 6/1940 Lutz E04F 21/003
33/832
- 2,211,634 A * 8/1940 Baker B23B 47/28
408/115 R
- 2,342,033 A * 2/1944 Barabas B23B 47/287
408/97
- 2,367,582 A * 1/1945 Honyoust B23B 47/28
33/DIG. 1
- 2,599,819 A * 6/1952 Fisher B25D 5/02
33/675

DESCRIPTION

FIG. 1 is a top, front perspective view of the hardware jig; FIG. 2 is a bottom, rear perspective view thereof; FIG. 3 is a front view thereof; FIG. 4 is a back view thereof; FIG. 5 is a side view thereof; FIG. 6 is a side view thereof showing the side opposite that shown in FIG. 5; FIG. 7 is a top view thereof; and, FIG. 8 is a bottom view thereof.
The broken line showing of a hardware jig is for the purpose of illustrating portions of the article and forms no part of the claimed design.

1 Claim, 6 Drawing Sheets



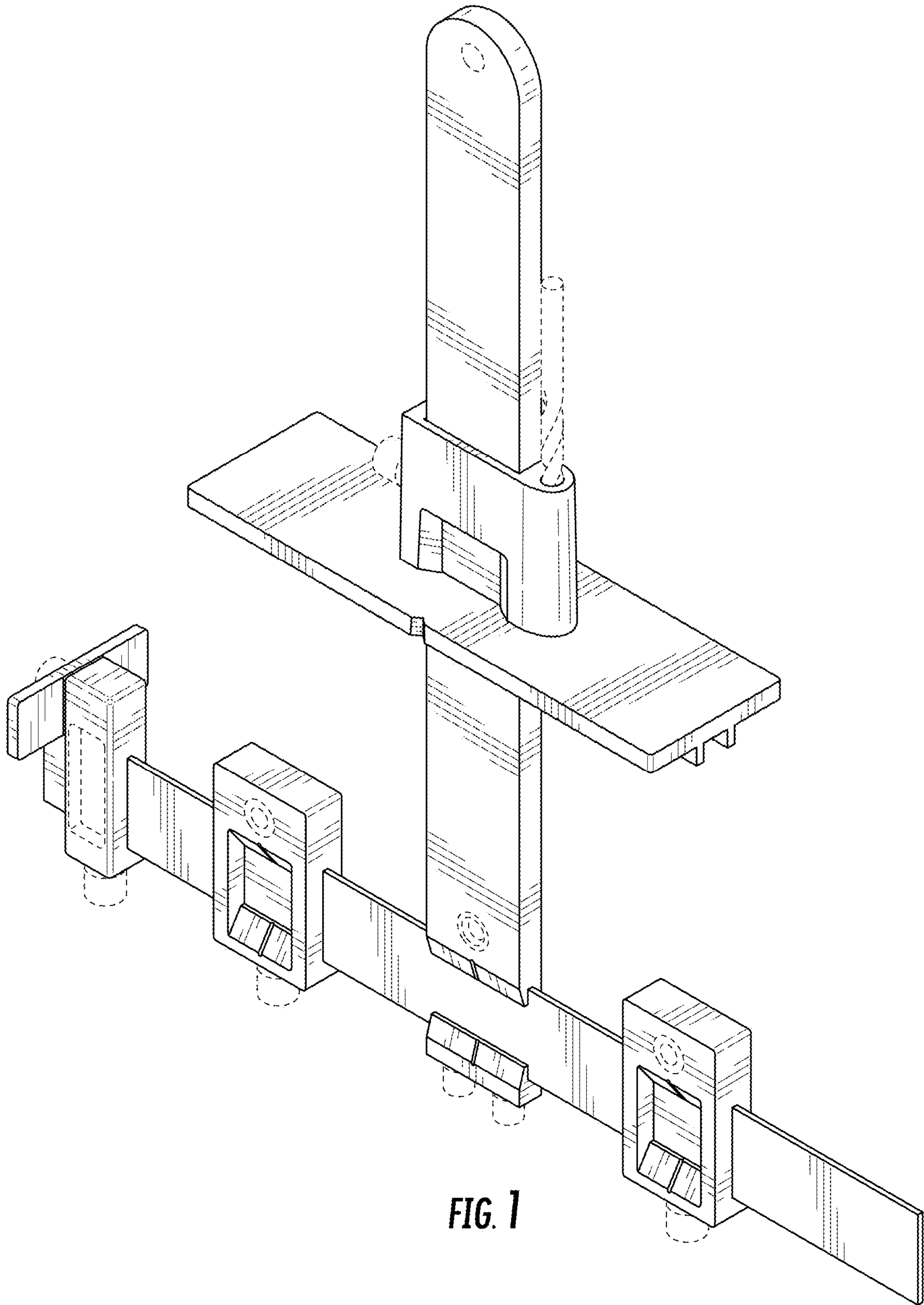


FIG. 1

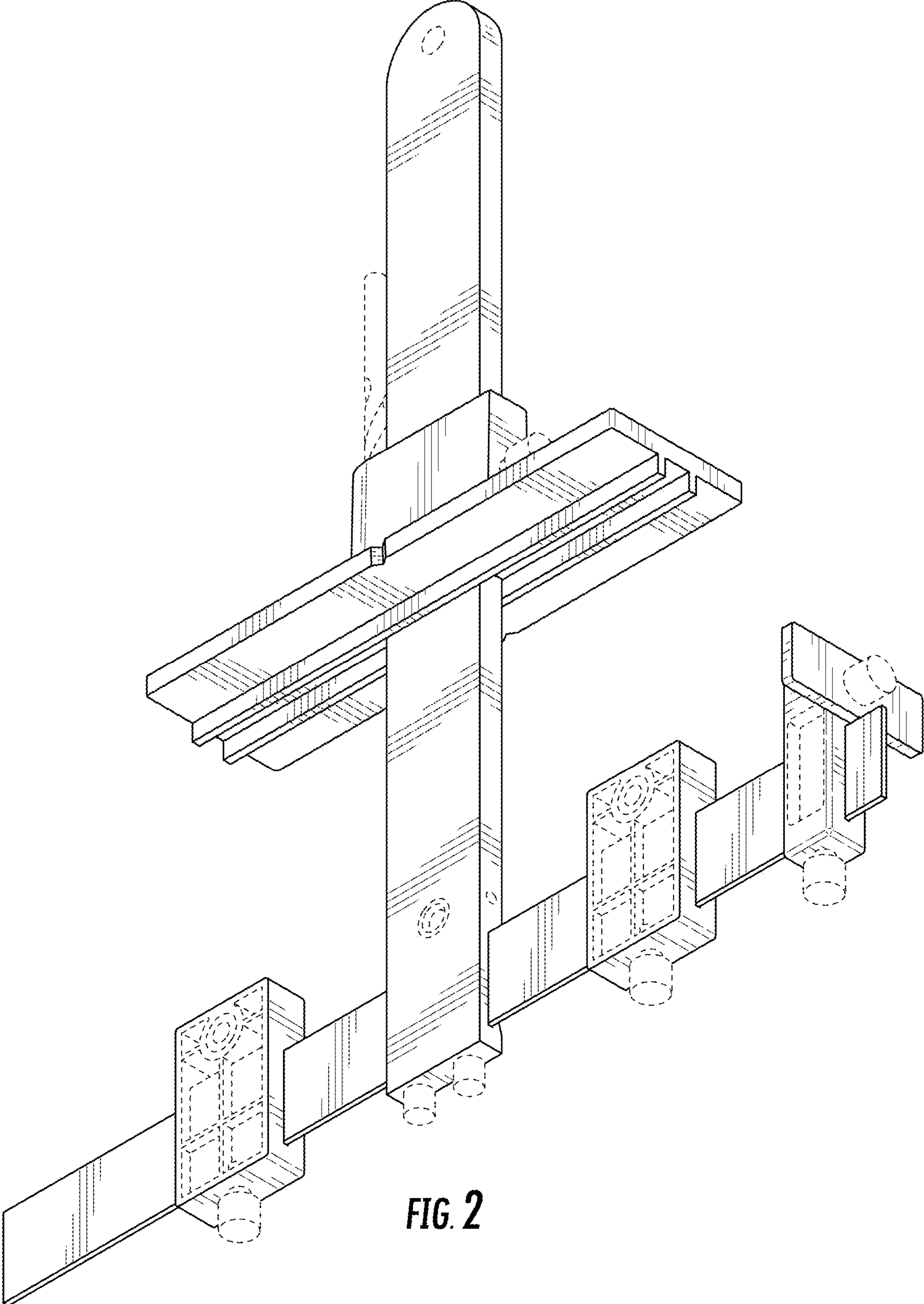


FIG. 2

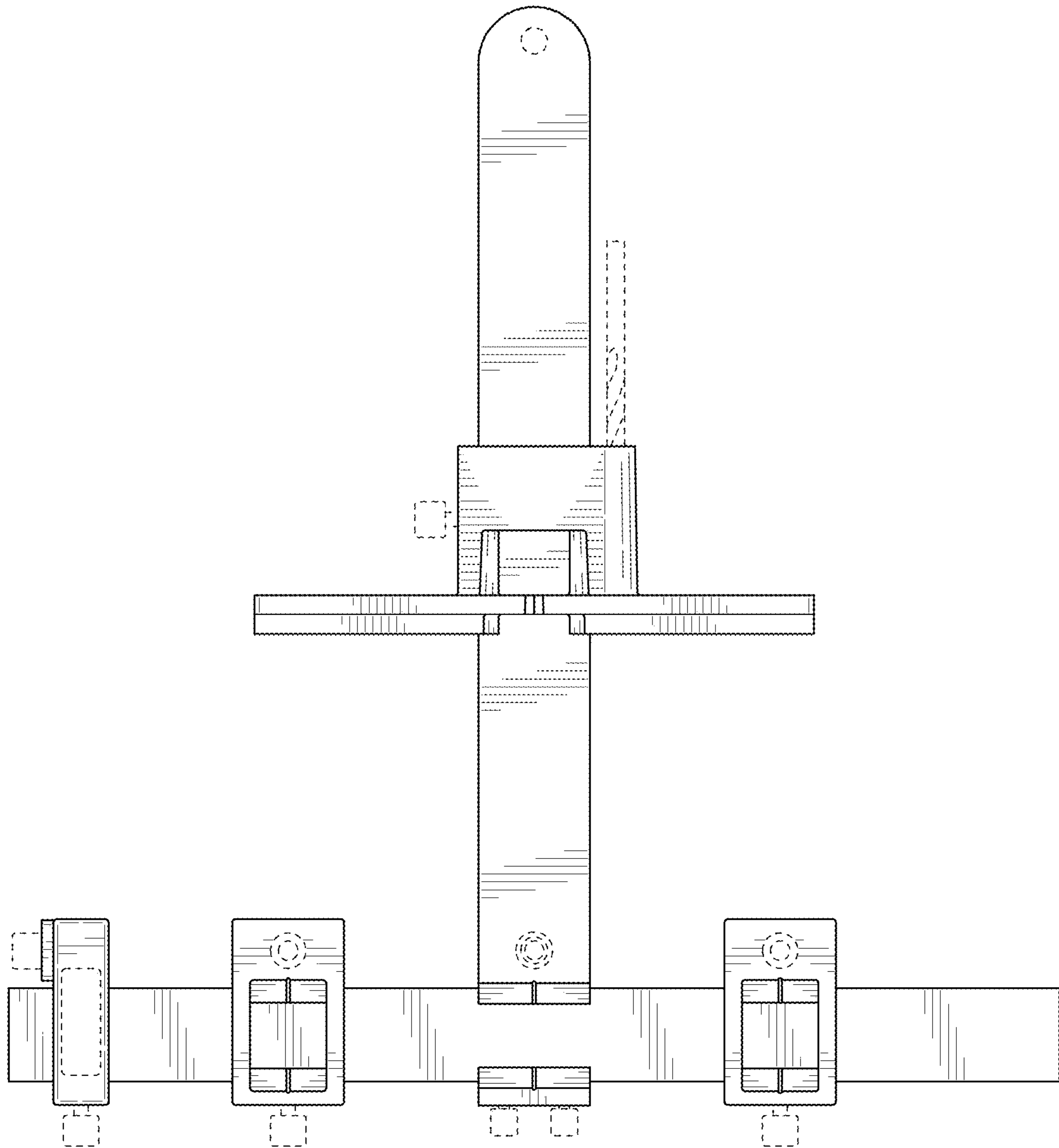


FIG. 3

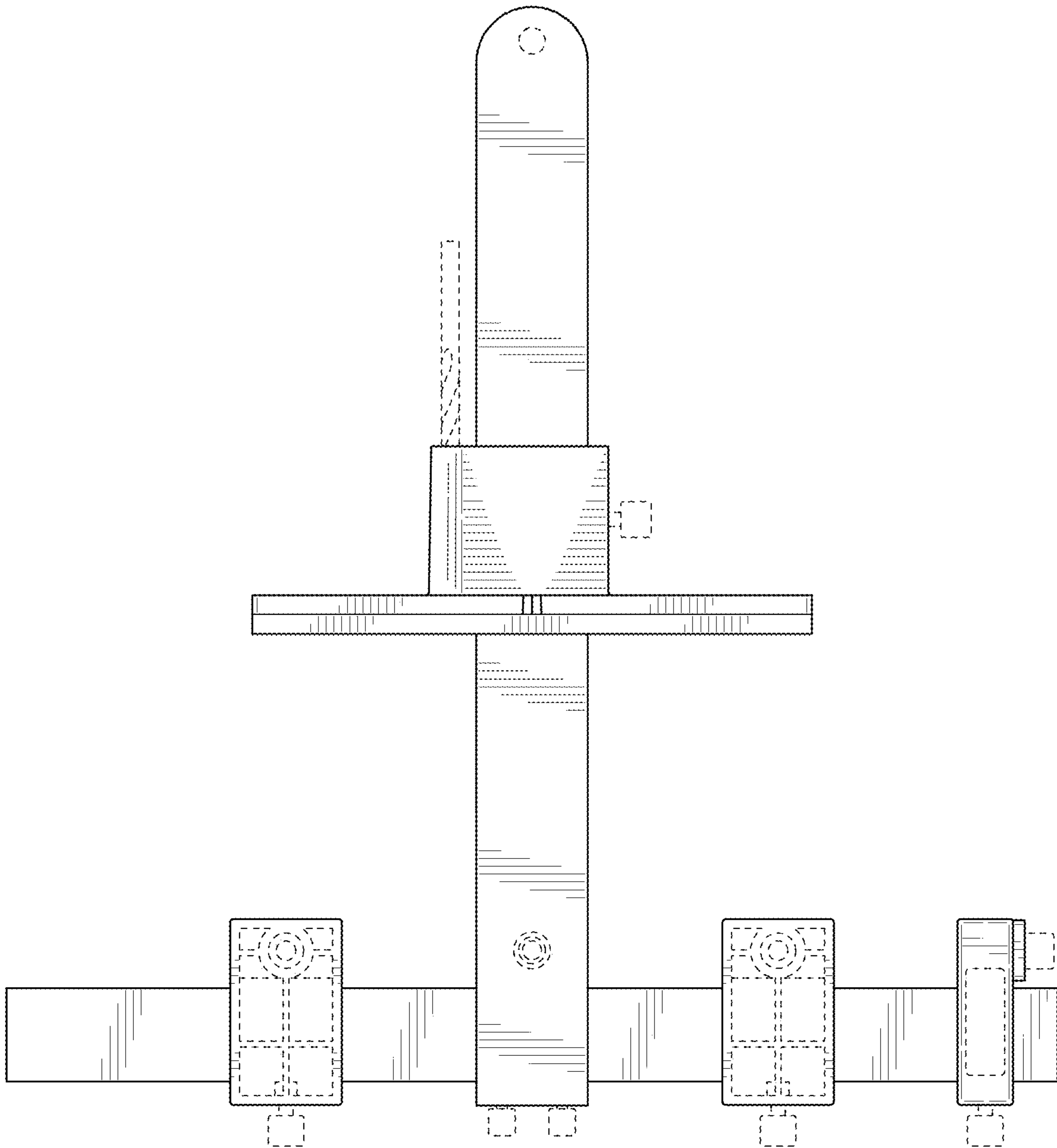


FIG. 4

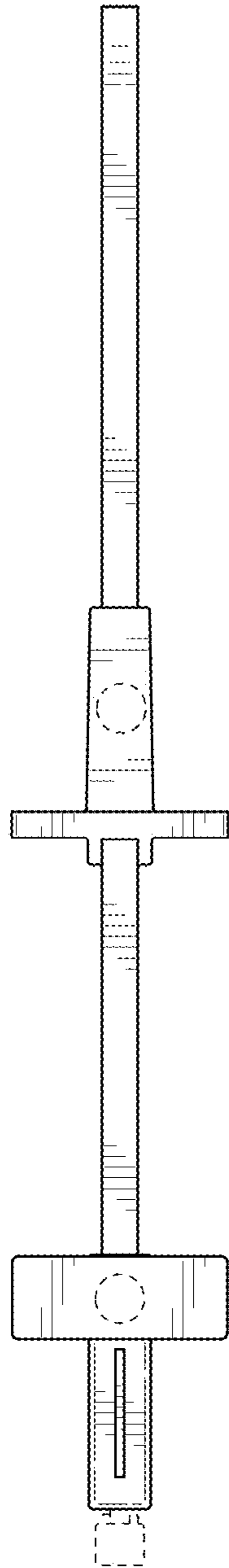


FIG. 5

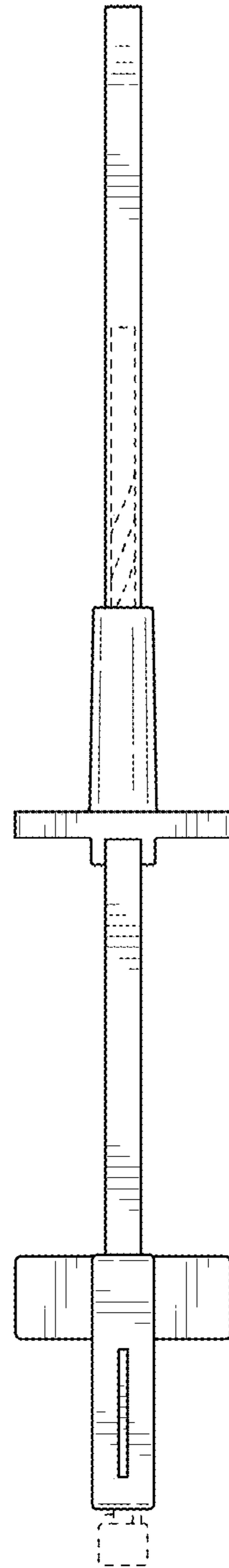


FIG. 6

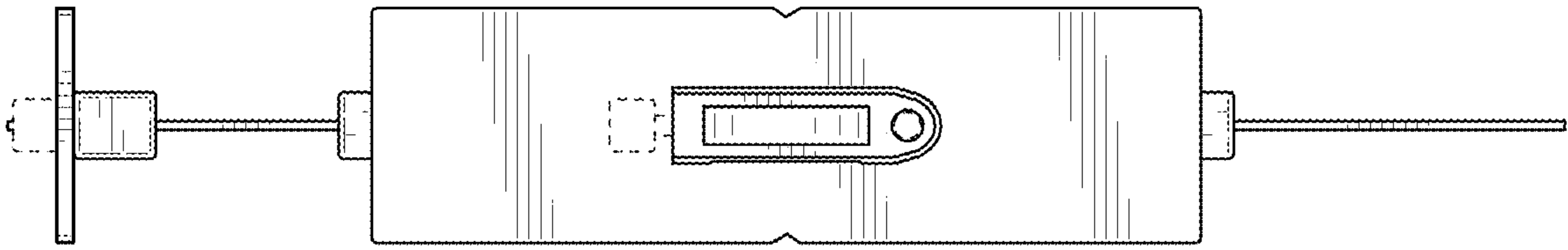


FIG. 7

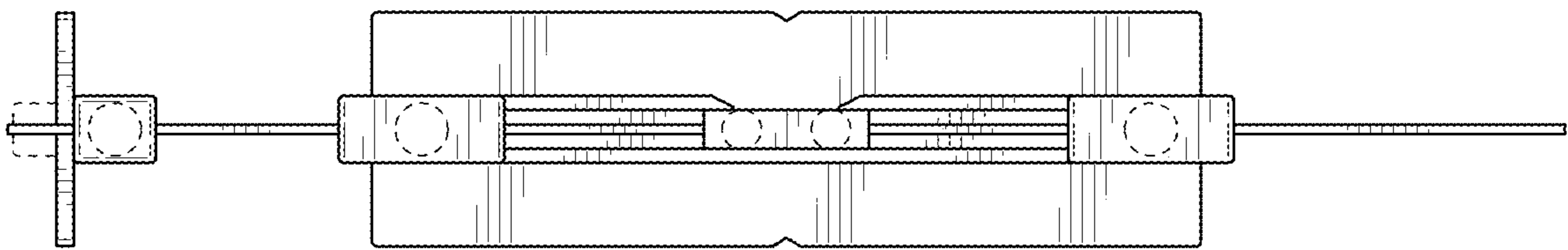


FIG. 8