



US00D975514S

(12) **United States Design Patent**
Skluzak

(10) **Patent No.:** **US D975,514 S**
(45) **Date of Patent:** **** Jan. 17, 2023**

- (54) **SEALANT REMOVAL BLADE**
- (71) Applicant: **Dell Skluzak**, Lakewood, CO (US)
- (72) Inventor: **Dell Skluzak**, Lakewood, CO (US)
- (**) Term: **15 Years**
- (21) Appl. No.: **29/728,173**
- (22) Filed: **Mar. 17, 2020**

D220,241 S *	3/1971	Steck	D8/16
D262,431 S *	12/1981	Haller	D32/54
D270,944 S *	10/1983	Hostetler	D8/19
D282,716 S *	2/1986	Heinis	D8/107
D379,256 S *	5/1997	Tipp	D32/46
D416,178 S *	11/1999	Moore	D8/16
D486,046 S *	2/2004	Norton	D32/48
D576,001 S *	9/2008	Brunderman	D8/19
D622,114 S *	8/2010	Balliet	D8/16
D784,100 S *	4/2017	Montgomery	D8/45
D861,443 S *	10/2019	Sheiner	D8/16
D867,094 S *	11/2019	Rowley	D8/16

* cited by examiner

Related U.S. Application Data

- (63) Continuation-in-part of application No. 15/924,426, filed on Mar. 19, 2018, now abandoned.
- (51) **LOC (14) Cl.** **08-05**
- (52) **U.S. Cl.**
USPC **D8/45**
- (58) **Field of Classification Search**
USPC D8/45, 16, 17, 19, 33, 366, 371
CPC E04F 21/0084
See application file for complete search history.

Primary Examiner — Eliza Z Harvey

(74) *Attorney, Agent, or Firm* — Donald J. Ersler

(57) **CLAIM**

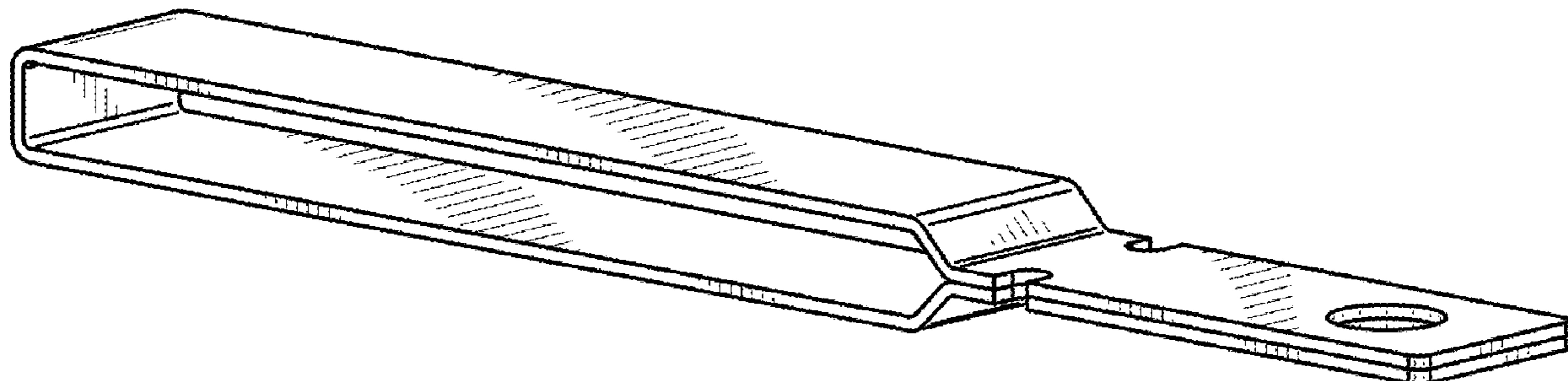
The ornamental design for a sealant removal blade, as shown and described.

DESCRIPTION

FIG. 1 is a front perspective view of a sealant removal blade incorporating our new design;
 FIG. 2 is a rear perspective view thereof;
 FIG. 3 is a top or bottom plan view thereof;
 FIG. 4 is a front or rear elevation view thereof;
 FIG. 5 is a right end view thereof; and,
 FIG. 6 is a left end view thereof.

1 Claim, 2 Drawing Sheets

- (56) **References Cited**
U.S. PATENT DOCUMENTS
D24,892 S * 11/1895 Crafts D8/45
2,561,336 A 7/1951 Bucsko et al.
3,408,742 A * 11/1968 Caprio E04G 21/1825
D10/61



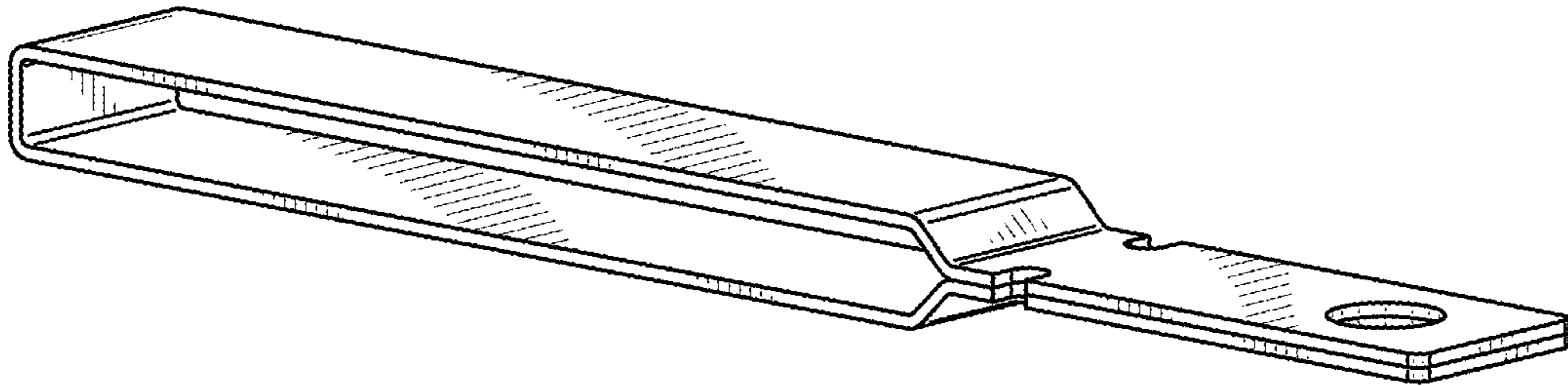


FIG. 1

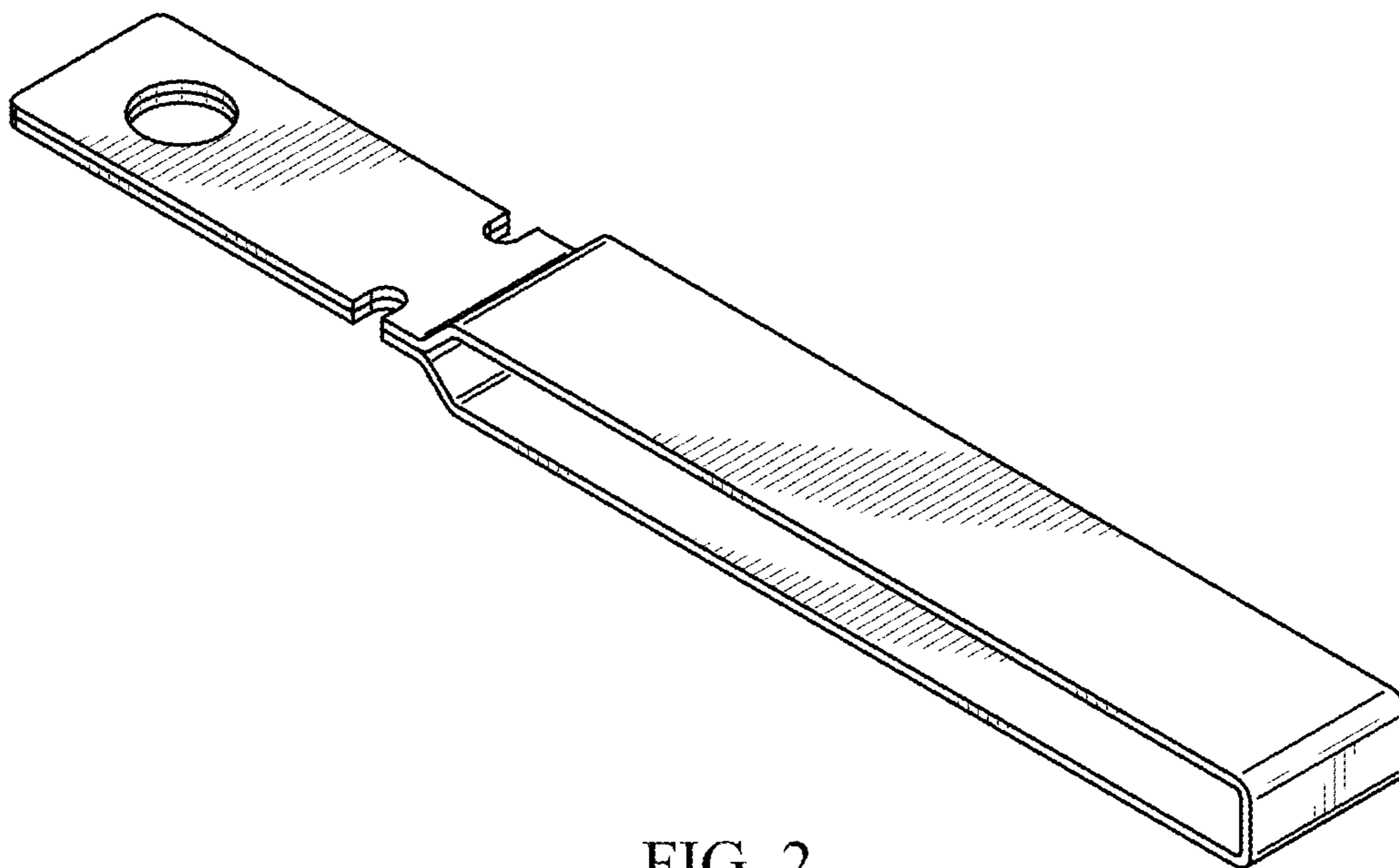


FIG. 2

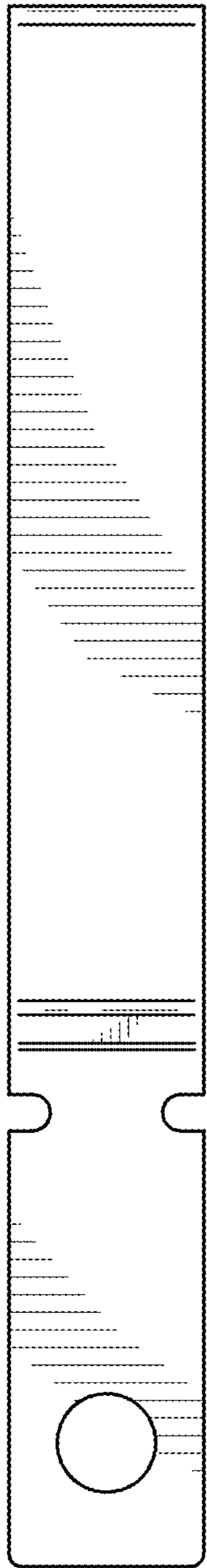


FIG. 3



FIG. 4

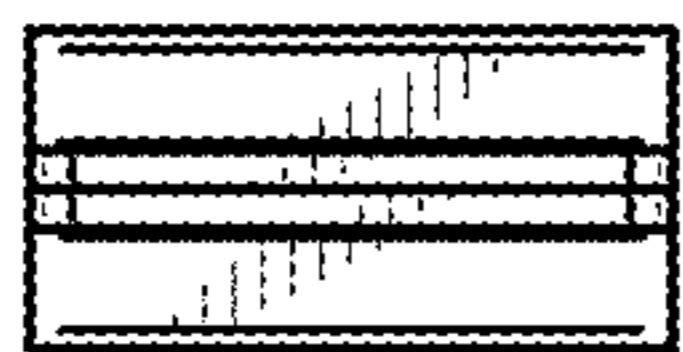


FIG. 5

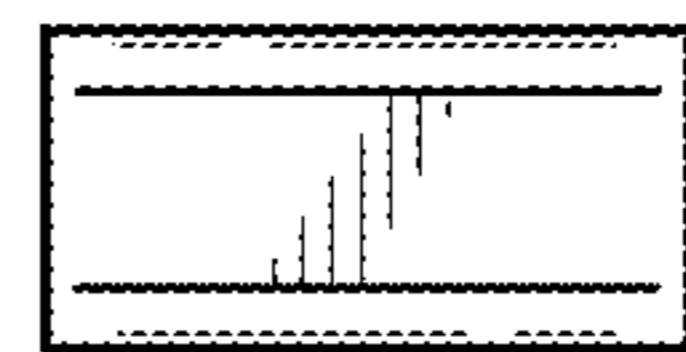


FIG. 6