



US00D975511S

(12) **United States Design Patent**
Li

(10) **Patent No.:** **US D975,511 S**
(45) **Date of Patent:** **** Jan. 17, 2023**

(54) **FILM APPLICATOR**

(71) Applicant: **Xiaolin Li**, Changning (CN)

(72) Inventor: **Xiaolin Li**, Changning (CN)

(**) Term: **15 Years**

(21) Appl. No.: **29/864,507**

(22) Filed: **Jun. 1, 2022**

(51) **LOC (14) Cl.** **08-05**

(52) **U.S. Cl.**
USPC **D8/14**

(58) **Field of Classification Search**
USPC D8/14, 71, 354; D14/250, 251, 252, 253
CPC B26C 65/00; B32B 37/18; B32B 37/0046;
B32B 37/003; B32B 38/1841; B29C
63/0004; B29C 2063/0008

See application file for complete search history.

(56) **References Cited**

U.S. PATENT DOCUMENTS

- 8,369,072 B1 * 2/2013 Alonzo G06F 1/1637
361/679.01
- 8,640,759 B2 * 2/2014 Chen B29C 63/0004
455/575.8
- D738,172 S * 9/2015 Chen D8/14
- D749,068 S * 2/2016 Zaborski D14/250
- D757,016 S * 5/2016 Liang D14/440
- D821,384 S * 6/2018 Jordin B29C 63/02
D14/250
- D876,202 S 2/2020 Lin
- D891,207 S 7/2020 Antonovich
- D904,840 S * 12/2020 Liu H04B 1/3888
D8/14
- D908,472 S * 1/2021 Zhang B29C 63/0004
D8/354
- D920,080 S * 5/2021 Hofstrand G06F 1/1637
D8/354
- 11,090,857 B1 * 8/2021 Zhong B29C 63/0004

- D945,251 S * 3/2022 Zhang H04B 1/3827
D8/354
- D953,135 S * 5/2022 Yu B32B 38/1841
D8/14
- 2014/0130971 A1 * 5/2014 Wu H04B 1/3888
156/249
- 2016/0009024 A1 * 1/2016 Mason B29C 63/02
156/391
- 2017/0190160 A1 * 7/2017 Peng B32B 38/1841
- 2018/0282038 A1 * 10/2018 Lin H04B 1/3827
- 2021/0213672 A1 * 7/2021 Chou B29C 63/0047

OTHER PUBLICATIONS

From Amazon.com, URL: <https://www.amazon.com/WSKEN-Protector-Installation-Anti-Reflective-Diamonds/dp/B08GK94JD6>.
 From Amazon.com, URL: <https://www.amazon.com/Spigen-Tempered-Protector-designed-Friendly/dp/B08DQT3F3C>.
 From Amazon.com, URL: <https://www.amazon.com/dp/B09Y1XY62Z>.

* cited by examiner

Primary Examiner — Philip S Hyder

(74) *Attorney, Agent, or Firm* — Andrew C. Cheng

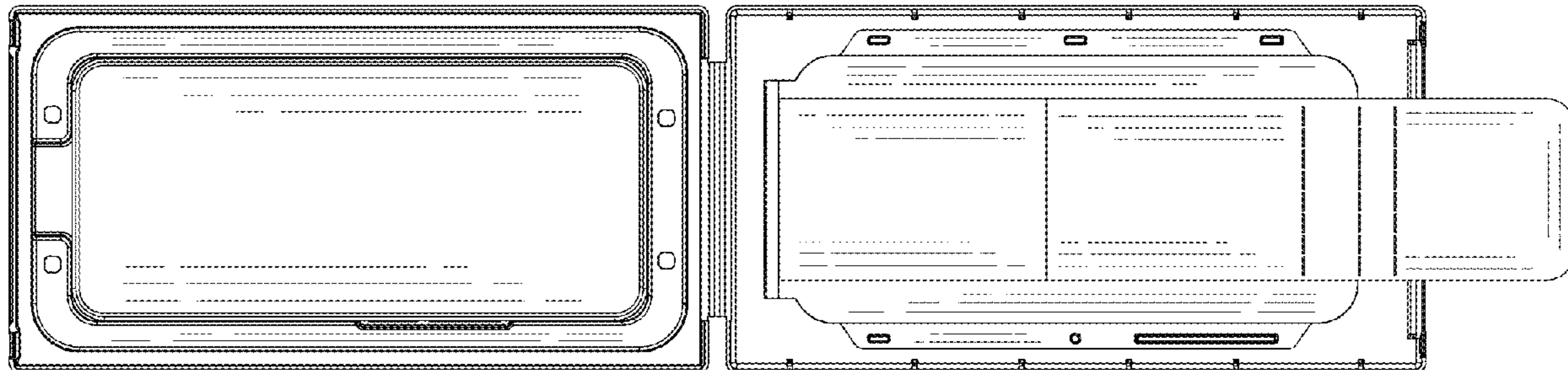
(57) **CLAIM**

The ornamental design for a film applicator, as shown and described.

DESCRIPTION

FIG. 1 is a front elevation view of a film applicator showing the new design;
 FIG. 2 is a back elevation view thereof;
 FIG. 3 is a left-side view thereof;
 FIG. 4 is a right-side view thereof;
 FIG. 5 is a top plan view thereof;
 FIG. 6 is a bottom plan view thereof;
 FIG. 7 is a top-right perspective view thereof; and,
 FIG. 8 is a top-left perspective view thereof.

1 Claim, 8 Drawing Sheets



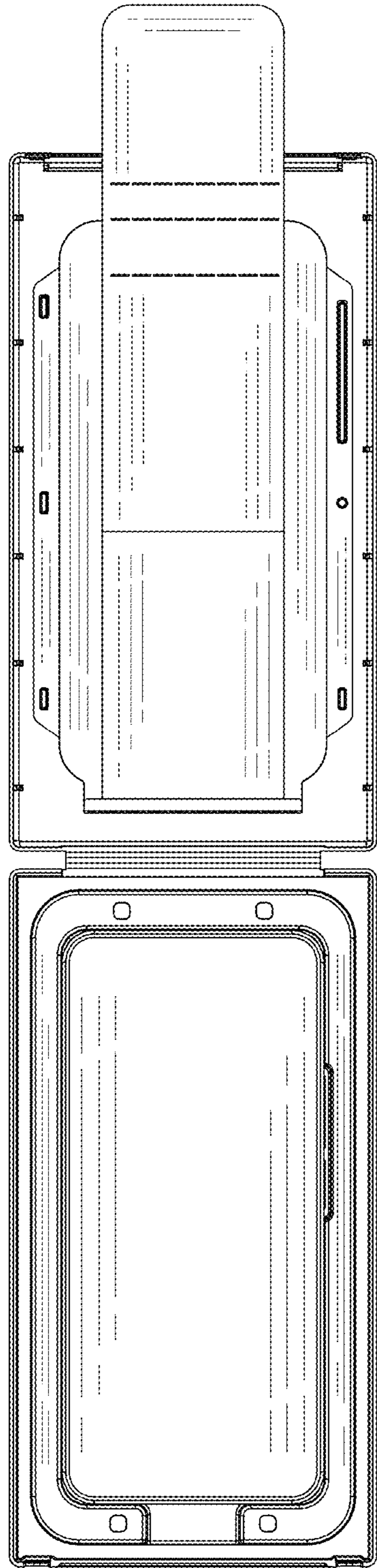


FIG. 1

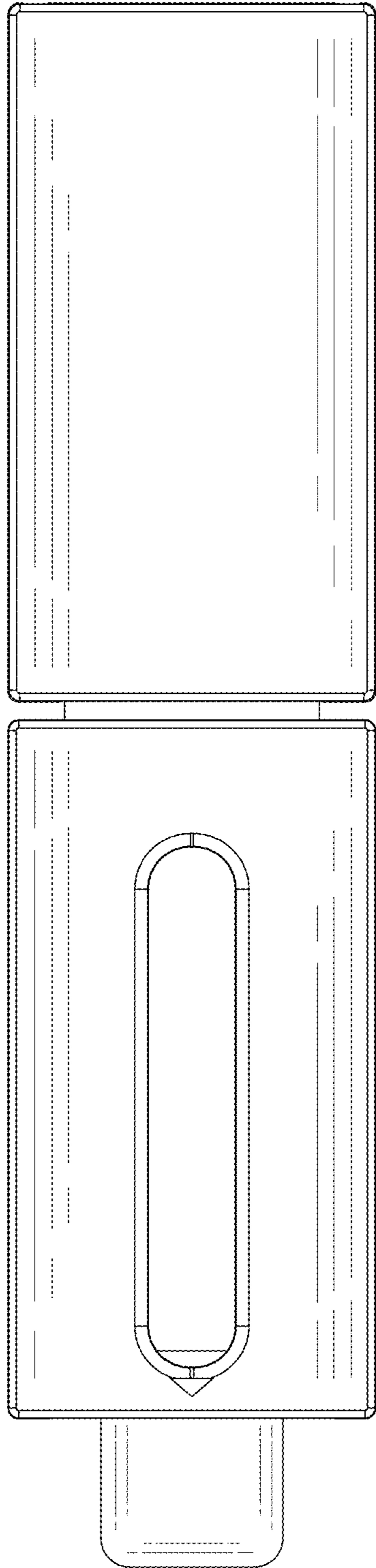


FIG. 2

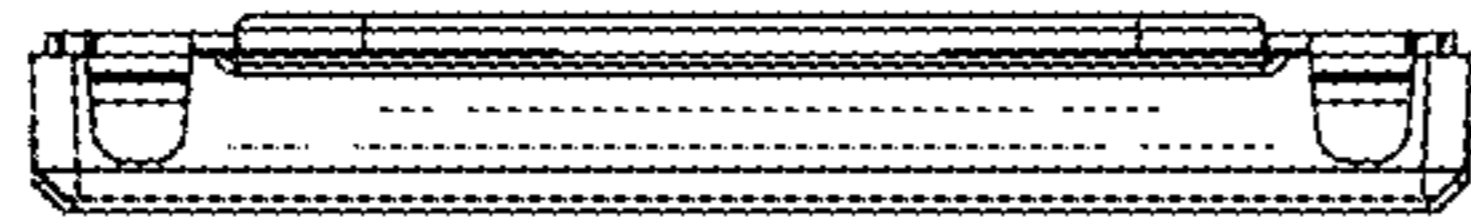


FIG. 3



FIG. 4

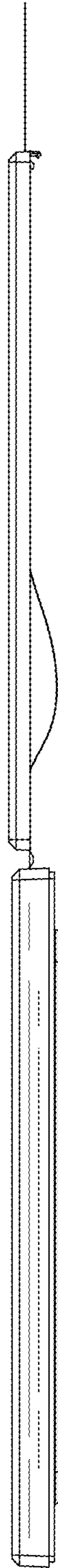


FIG. 5

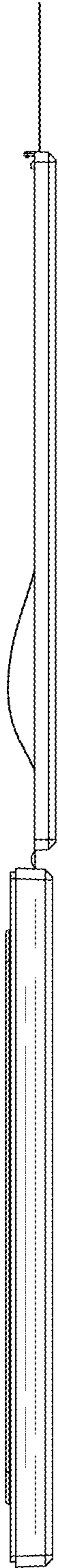


FIG. 6

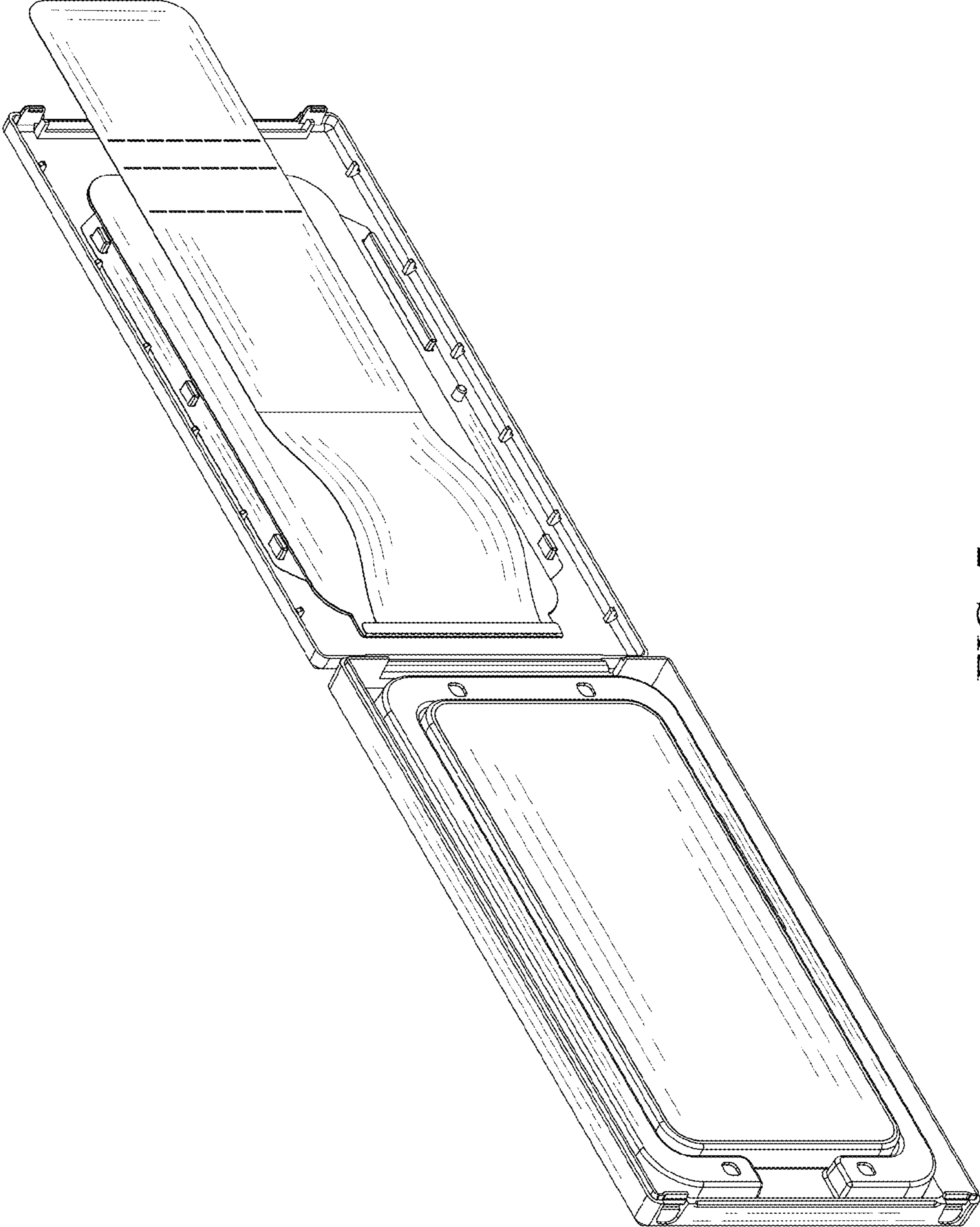


FIG. 7

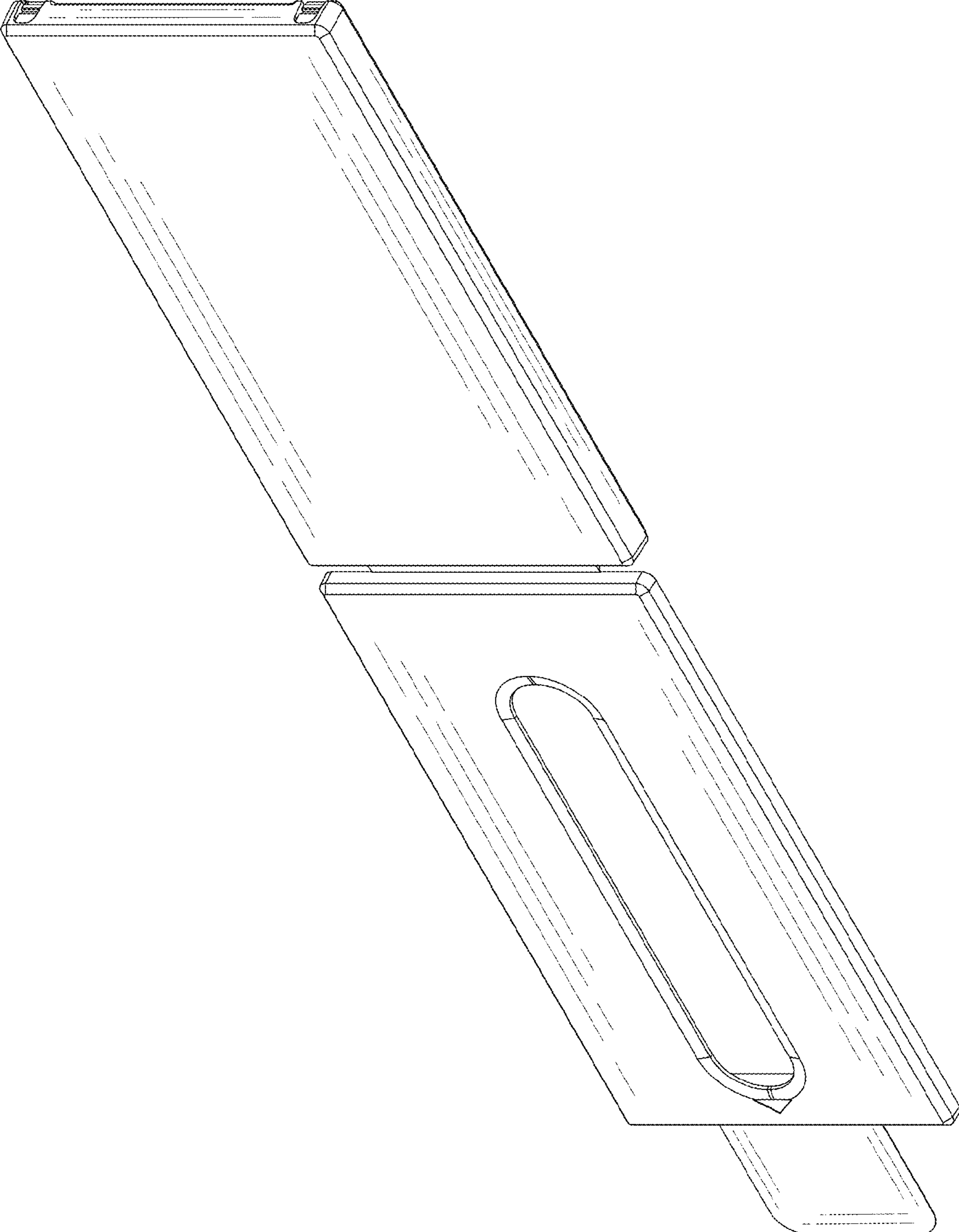


FIG. 8