



US00D975510S

(12) **United States Design Patent** (10) **Patent No.:** **US D975,510 S**  
**Hall** (45) **Date of Patent:** **\*\* Jan. 17, 2023**

(54) **PUSH BLOCK**  
(71) Applicant: **Taylor James Hall**, Palatine, IL (US)  
(72) Inventor: **Taylor James Hall**, Palatine, IL (US)  
(73) Assignee: **Nomis LLC**, Palatine, IL (US)

5,894,777 A 4/1999 Sterling  
6,044,740 A 4/2000 Werkheiser  
6,135,521 A 10/2000 Wirth, Jr. et al.  
6,554,335 B1 4/2003 Kelly et al.  
6,578,461 B1 6/2003 Loo  
D477,389 S 7/2003 Chen  
6,732,623 B1 5/2004 Jennings

(Continued)

(\*\*) Term: **15 Years**

FOREIGN PATENT DOCUMENTS

(21) Appl. No.: **29/780,936**

CA 2527755 A1 5/2006

(22) Filed: **Apr. 27, 2021**

OTHER PUBLICATIONS

(51) **LOC (14) Cl.** ..... **08-05**

(52) **U.S. Cl.**  
USPC ..... **D8/14**

Using Push Sticks; Tips & Tricks; website <http://www.newwoodworker.com/pushsticks.html>; date last visited Apr. 26, 2007; 5 pages.

(Continued)

(58) **Field of Classification Search**  
USPC ..... D8/14, 45, 90, 107  
CPC ..... B27B 25/10; B27B 25/00; B27B 29/00;  
B27C 5/06; B27C 5/04; Y10T 83/6638  
See application file for complete search history.

*Primary Examiner* — Philip S Hyder  
(74) *Attorney, Agent, or Firm* — Reinhart Boerner Van Deuren P.C.

(56) **References Cited**

(57) **CLAIM**

U.S. PATENT DOCUMENTS

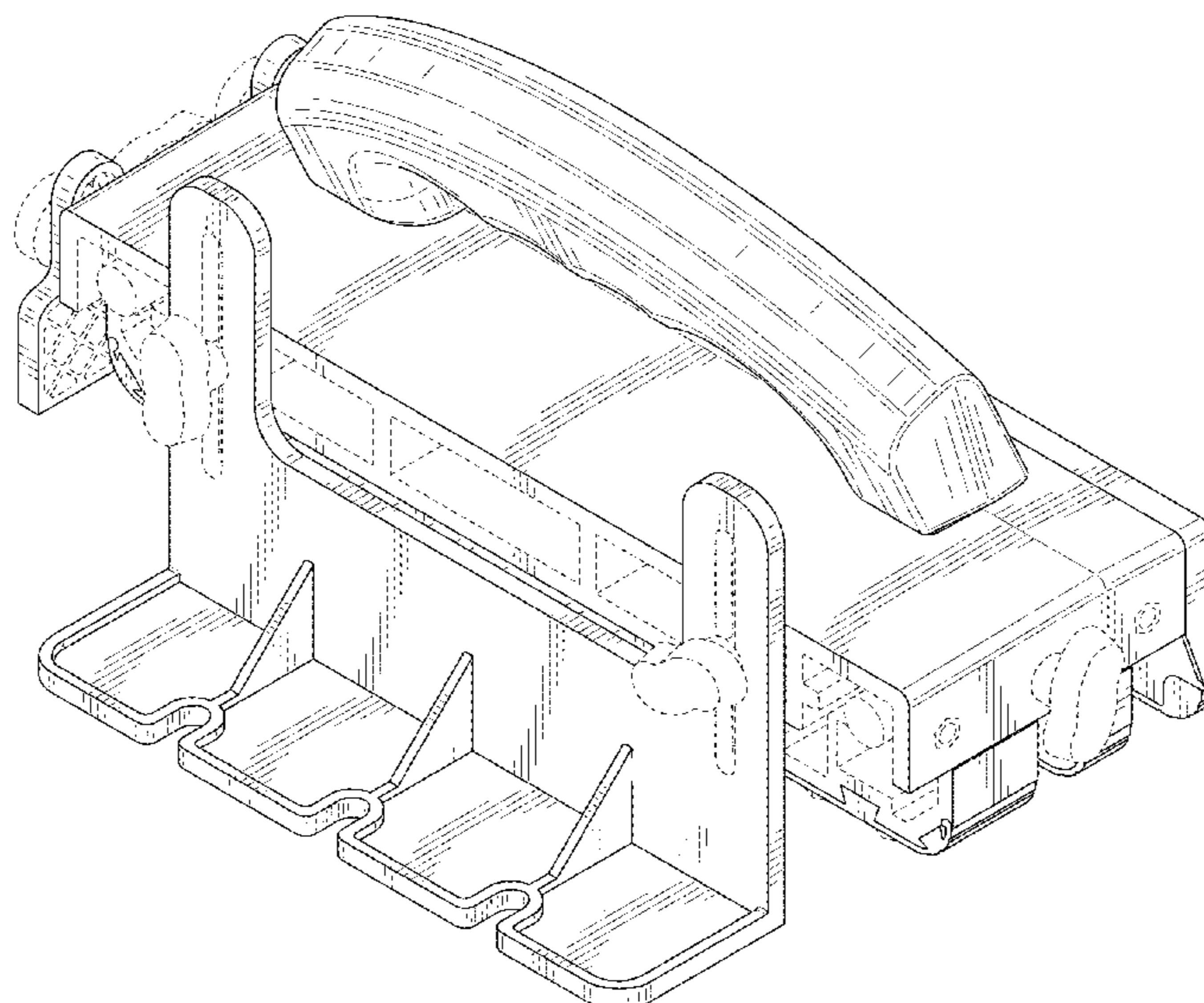
I claim the ornamental design for the push block, as shown and described.

- 2,801,656 A 8/1957 Ford
- 3,010,133 A 11/1961 Hurd
- 3,232,326 A 2/1966 Speer et al.
- D216,668 S 3/1970 Tims, Jr.
- 3,686,703 A 8/1972 Ray
- D228,339 S 9/1973 Zemke
- 4,001,903 A 1/1977 Hay
- 4,114,665 A 9/1978 Decker
- 4,294,151 A 10/1981 Lemus
- 4,348,925 A 9/1982 Manweiler
- 4,351,525 A 9/1982 Rozenblad
- 4,432,263 A 2/1984 Kowalchuk
- 4,485,711 A 12/1984 Schnell
- D278,022 S 3/1985 Ash
- D278,790 S 5/1985 Chaney et al.
- 4,962,685 A 10/1990 Hagstrom
- 5,016,509 A 5/1991 Stoffman
- 5,678,467 A 10/1997 Algner
- 5,692,425 A 12/1997 Sterling
- 5,875,829 A 3/1999 Brutscher et al.

**DESCRIPTION**

FIG. 1 is a top perspective view of the push block;  
FIG. 2 is another top perspective view of the push block;  
FIG. 3 is a bottom perspective view of the push block;  
FIG. 4 is a rear view of the push block;  
FIG. 5 is a front view of the push block;  
FIG. 6 is a side view of the push block;  
FIG. 7 is a side view of the push block showing the side opposite that shown in FIG. 6;  
FIG. 8 is a top view of the push block; and,  
FIG. 9 is a bottom view of the push block.  
The broken lines are unclaimed and form no part of the claimed design.

**1 Claim, 8 Drawing Sheets**



(56)

**References Cited**

## U.S. PATENT DOCUMENTS

6,854,730	B2	2/2005	Braun
D505,268	S	5/2005	Potempa
7,040,206	B2	5/2006	Wang
D525,508	S	7/2006	Leonard, II
D561,791	S	2/2008	Kozina et al.
7,540,224	B2	6/2009	Wang
D602,753	S	10/2009	McLaughlin
D620,215	S	7/2010	Peng et al.
7,886,641	B2	2/2011	Wirth, Jr. et al.
7,997,313	B2	8/2011	Wang
D665,638	S	8/2012	Krohmer et al.
D666,684	S	9/2012	Meininger et al.
9,003,671	B2	4/2015	Wang
9,199,390	B2	12/2015	Wang
D746,596	S	1/2016	Zemel et al.
9,227,337	B2	1/2016	Wang
9,707,694	B2	7/2017	Wang
D804,921	S	12/2017	Neubauer
10,011,037	B2	7/2018	Wang
D909,837	S	2/2021	Patel et al.
D914,474	S	3/2021	Hall
2002/0178888	A1	12/2002	Wang
2005/0059328	A1	3/2005	Madsen
2005/0092152	A1	5/2005	Wirth, Jr. et al.
2006/0123961	A1	6/2006	Fontaine
2014/0260864	A1	9/2014	Wang

## OTHER PUBLICATIONS

Grip 55210 V-Stick Push Stick; website [http://www.shop.com/op/~Grip\\_5521-\\_V\\_Stick\\_Push\\_Stick-prod-25](http://www.shop.com/op/~Grip_5521-_V_Stick_Push_Stick-prod-25) . . . ; date last visited Apr. 26, 2007; 1 page.

Deluxe Jig Handle—Rockler Woodworking Tools; website <http://www.rockler.com/product.cfm?page=16400&cs=1>; date last visited Apr. 26, 2007; 1 page.

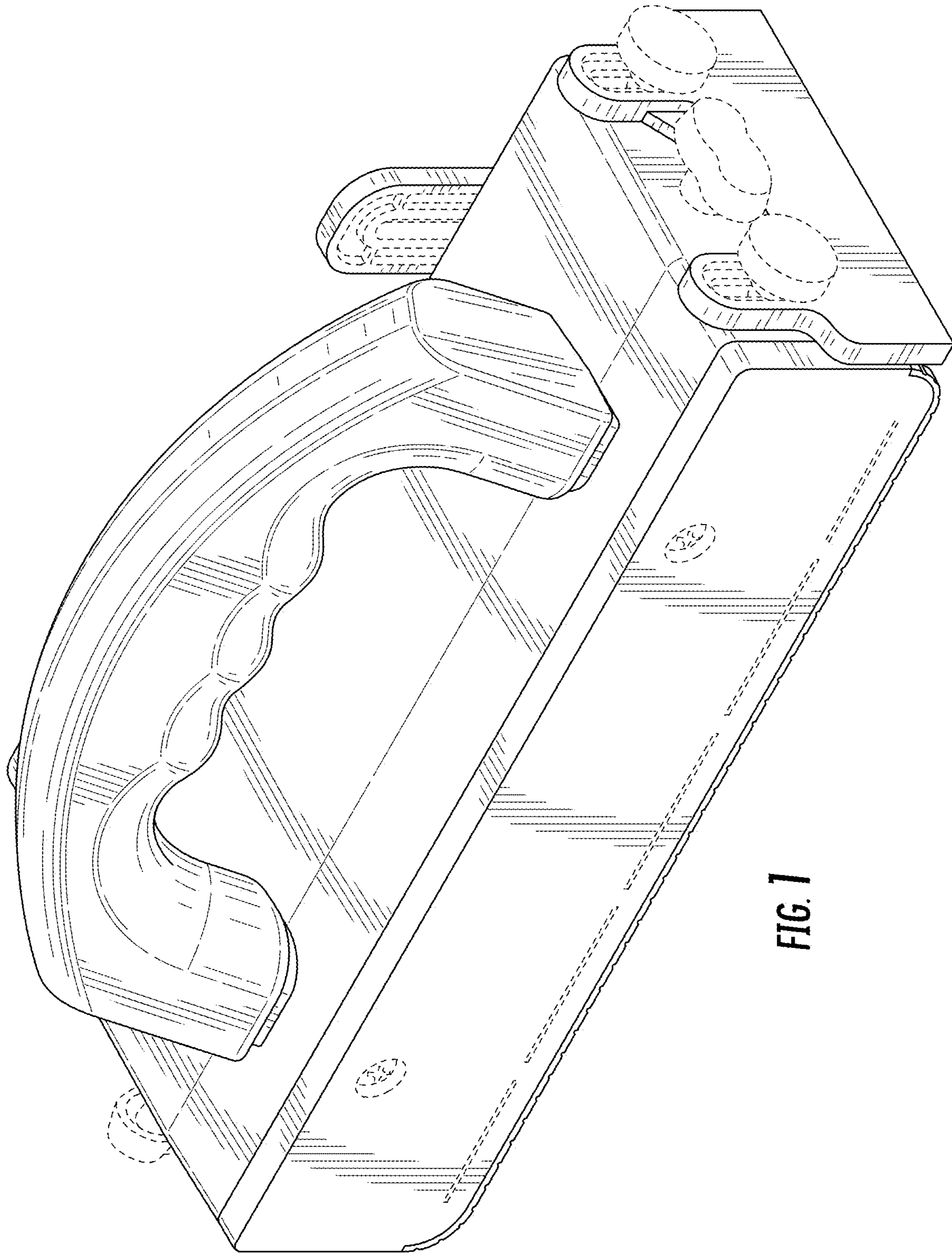


FIG. 1



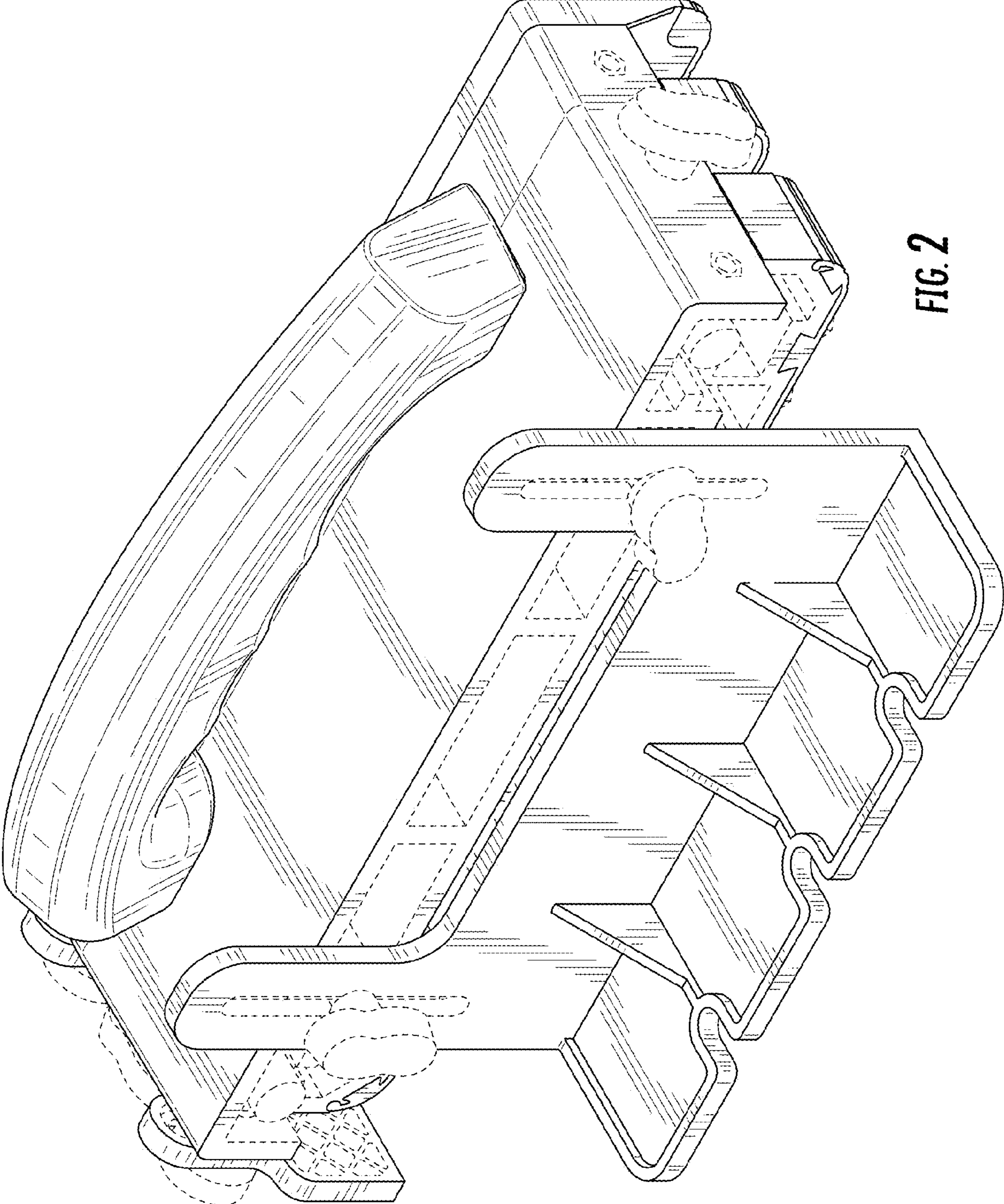


FIG. 2

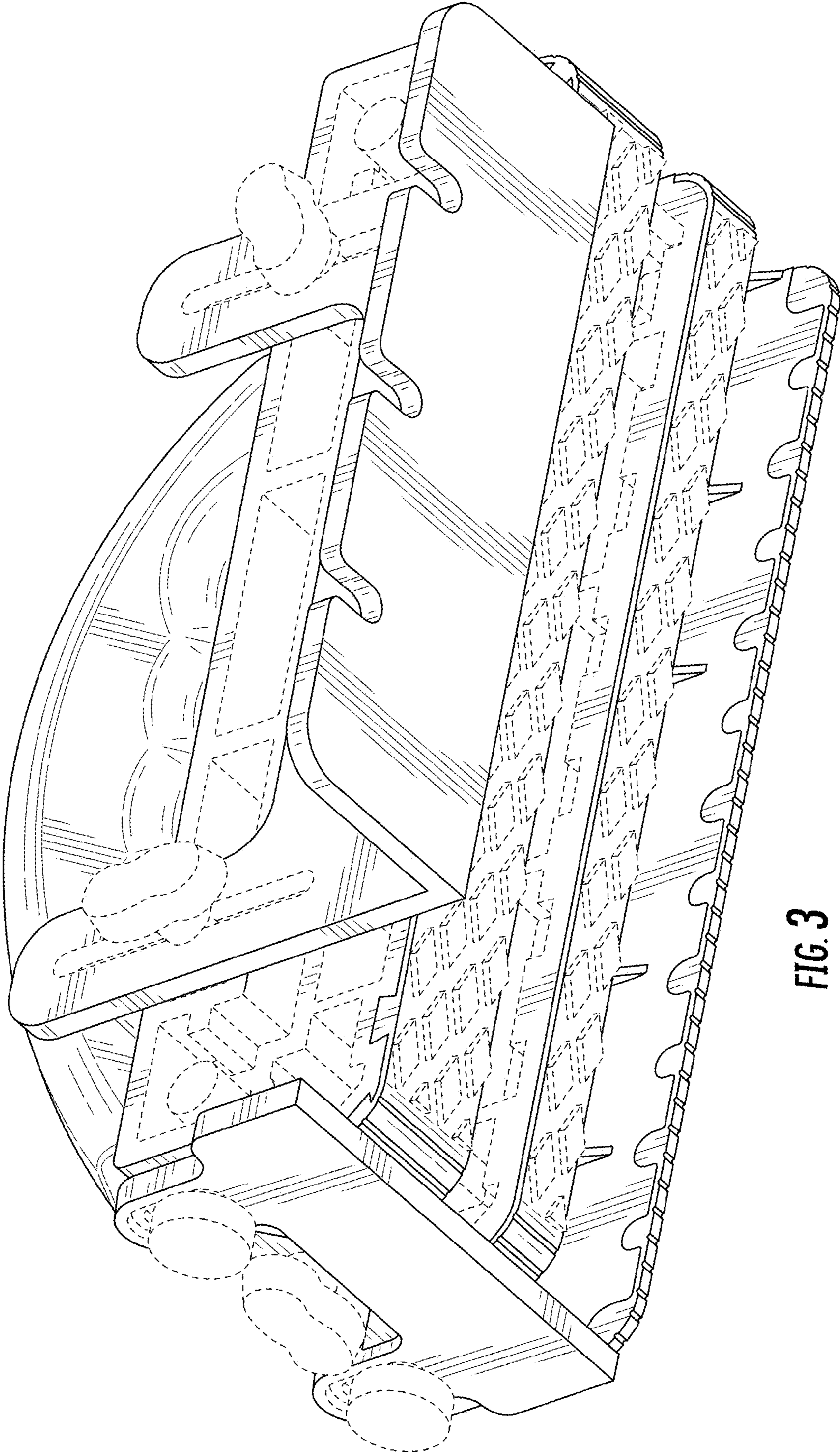


FIG. 3



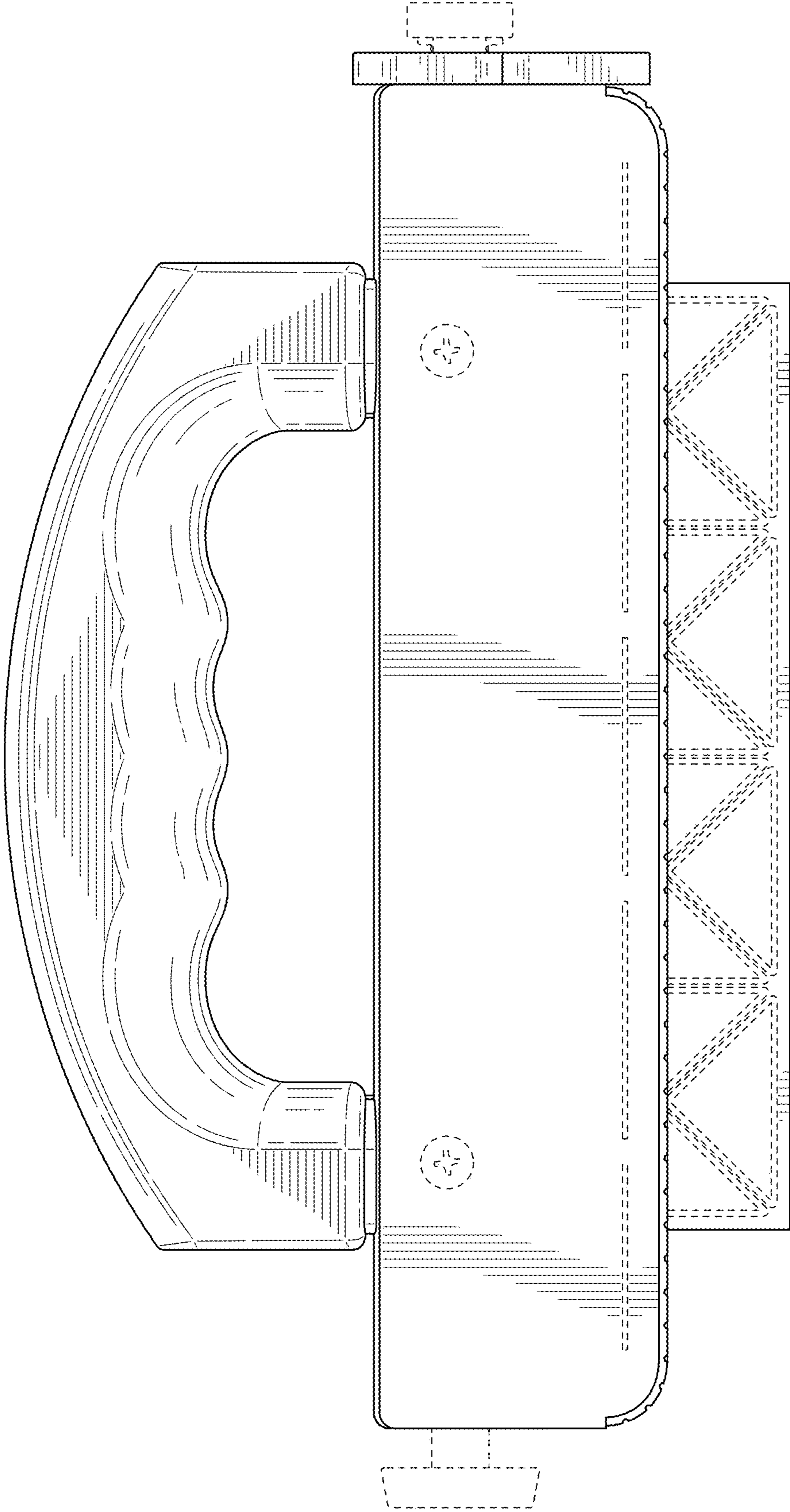


FIG. 4

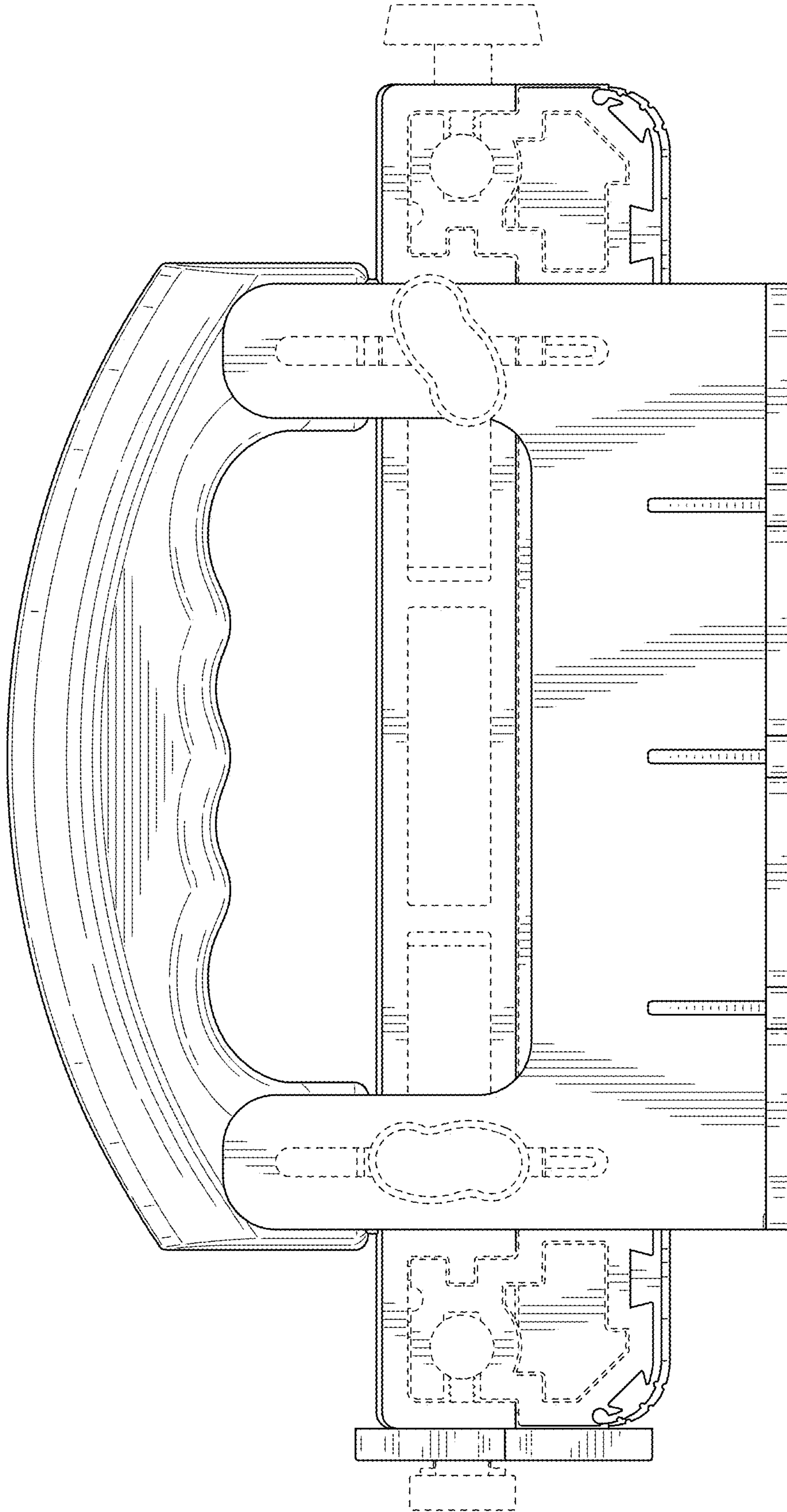


FIG. 5

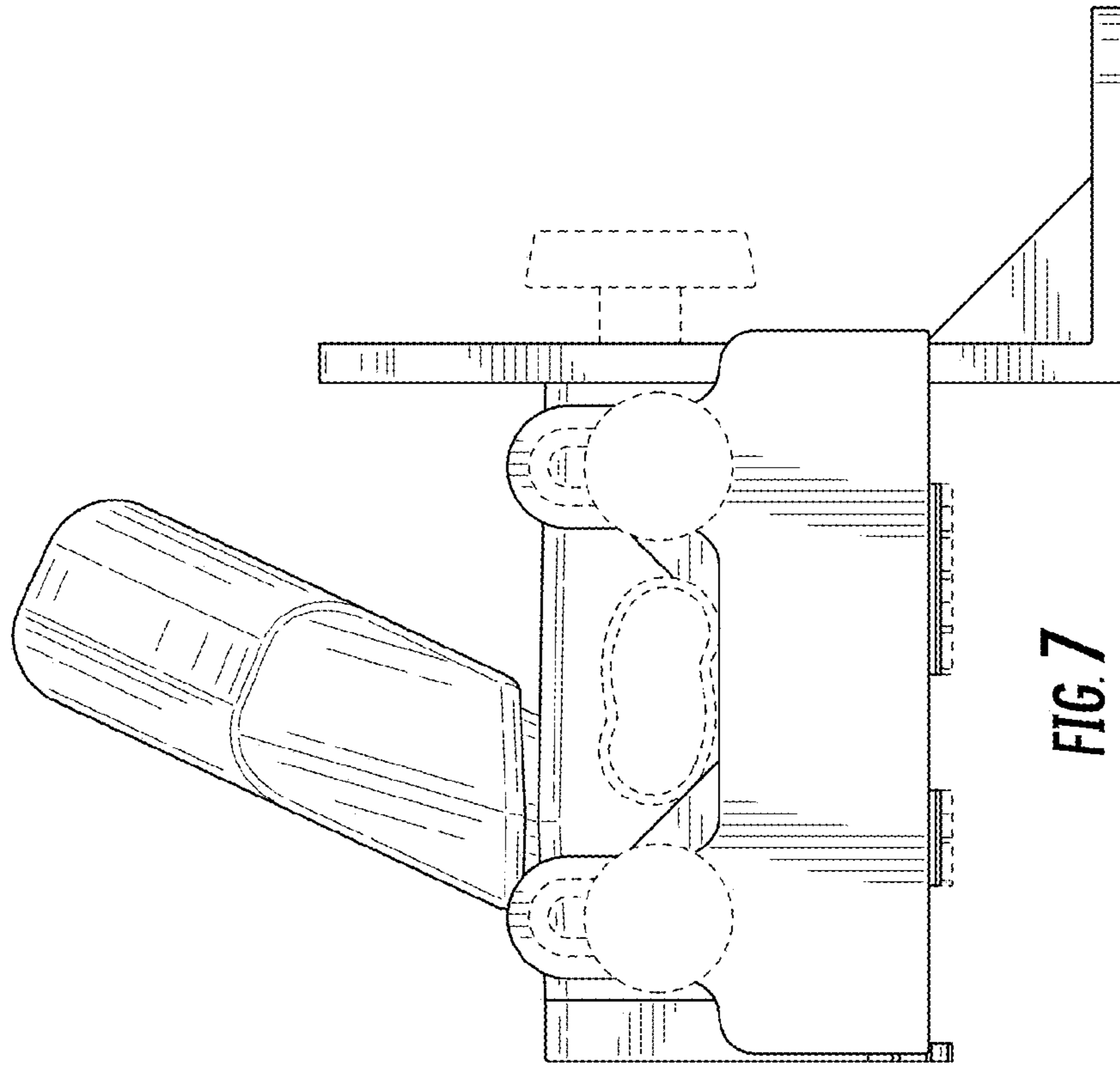


FIG. 7

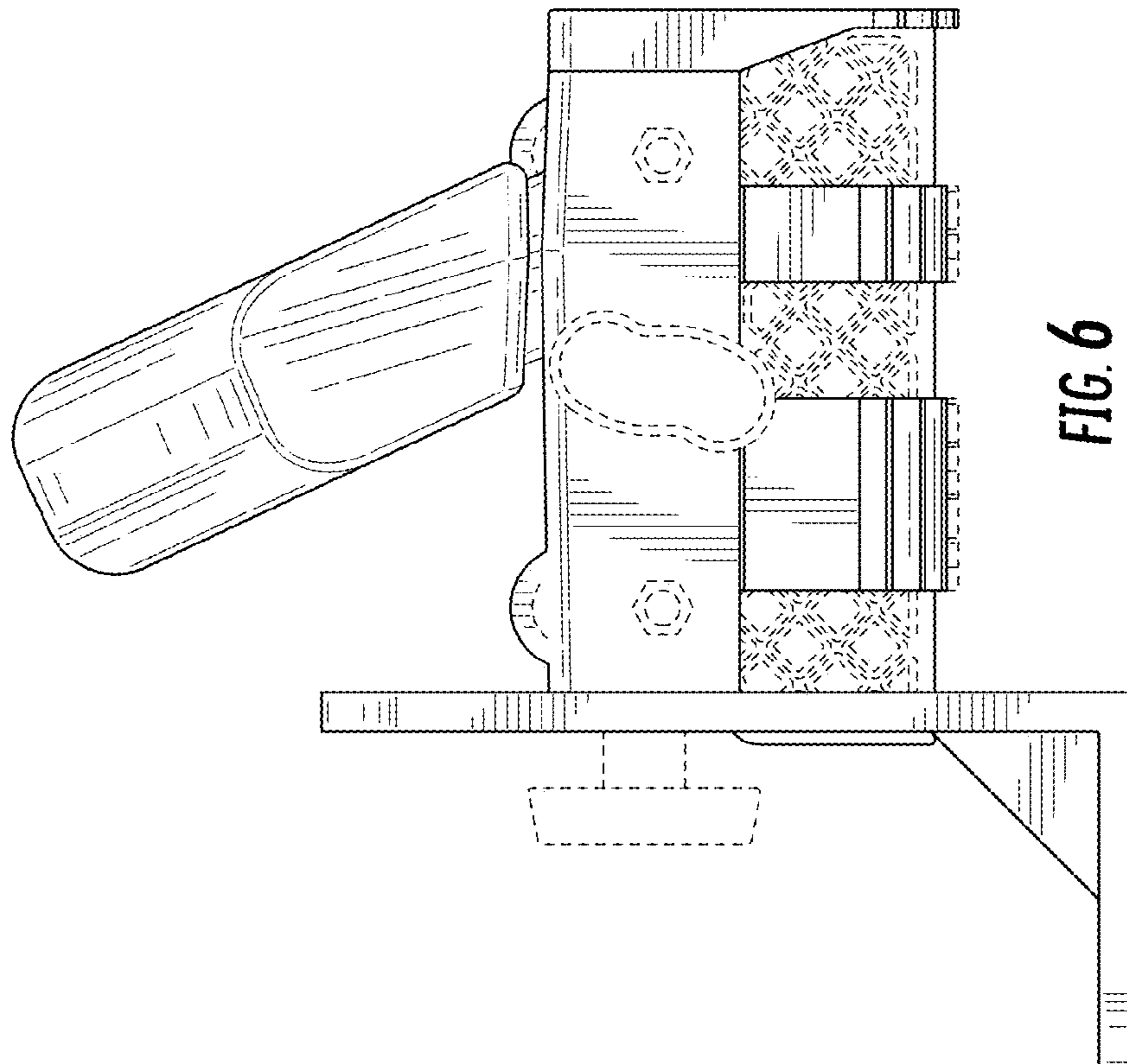


FIG. 6



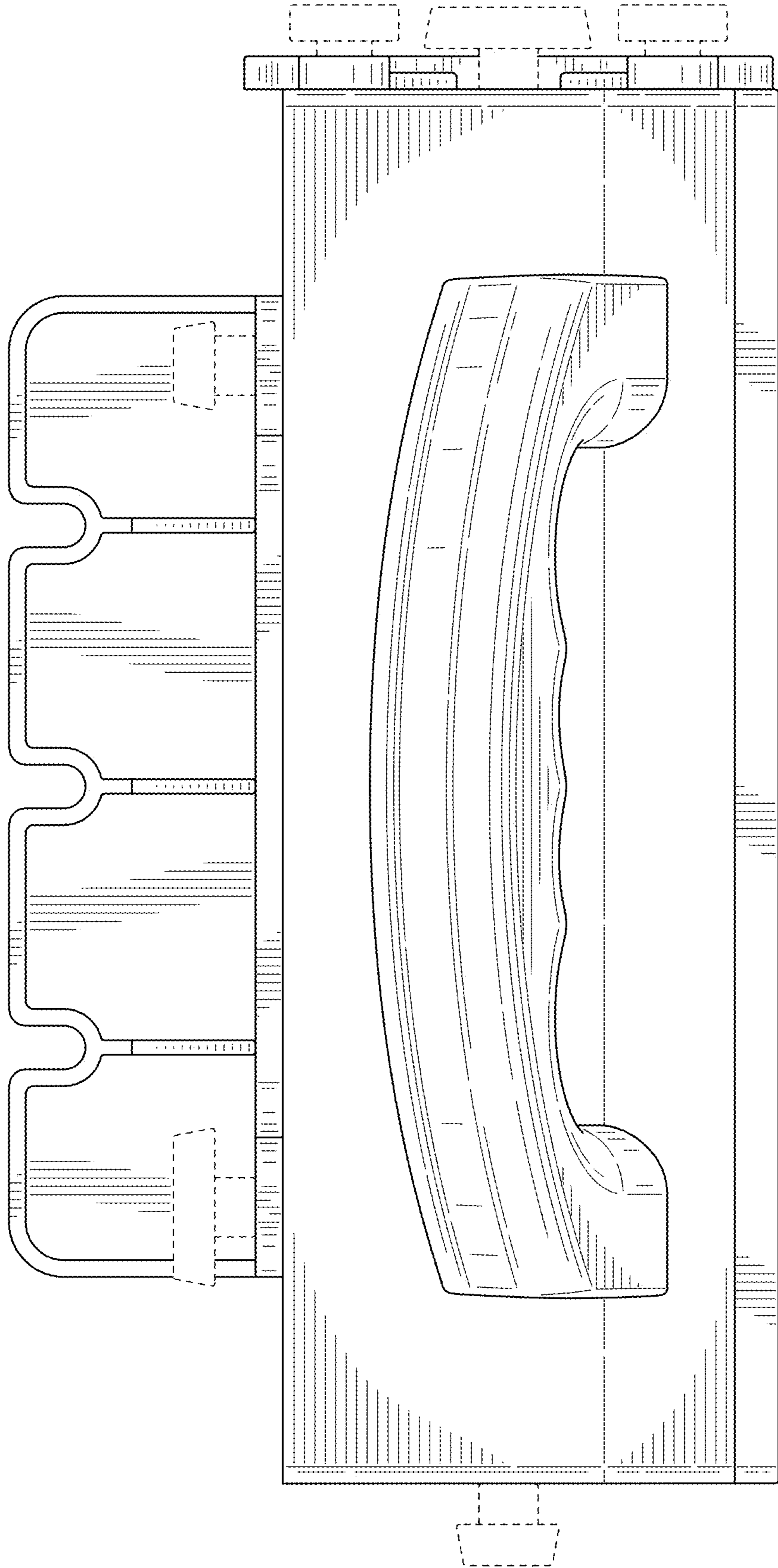


FIG. 8

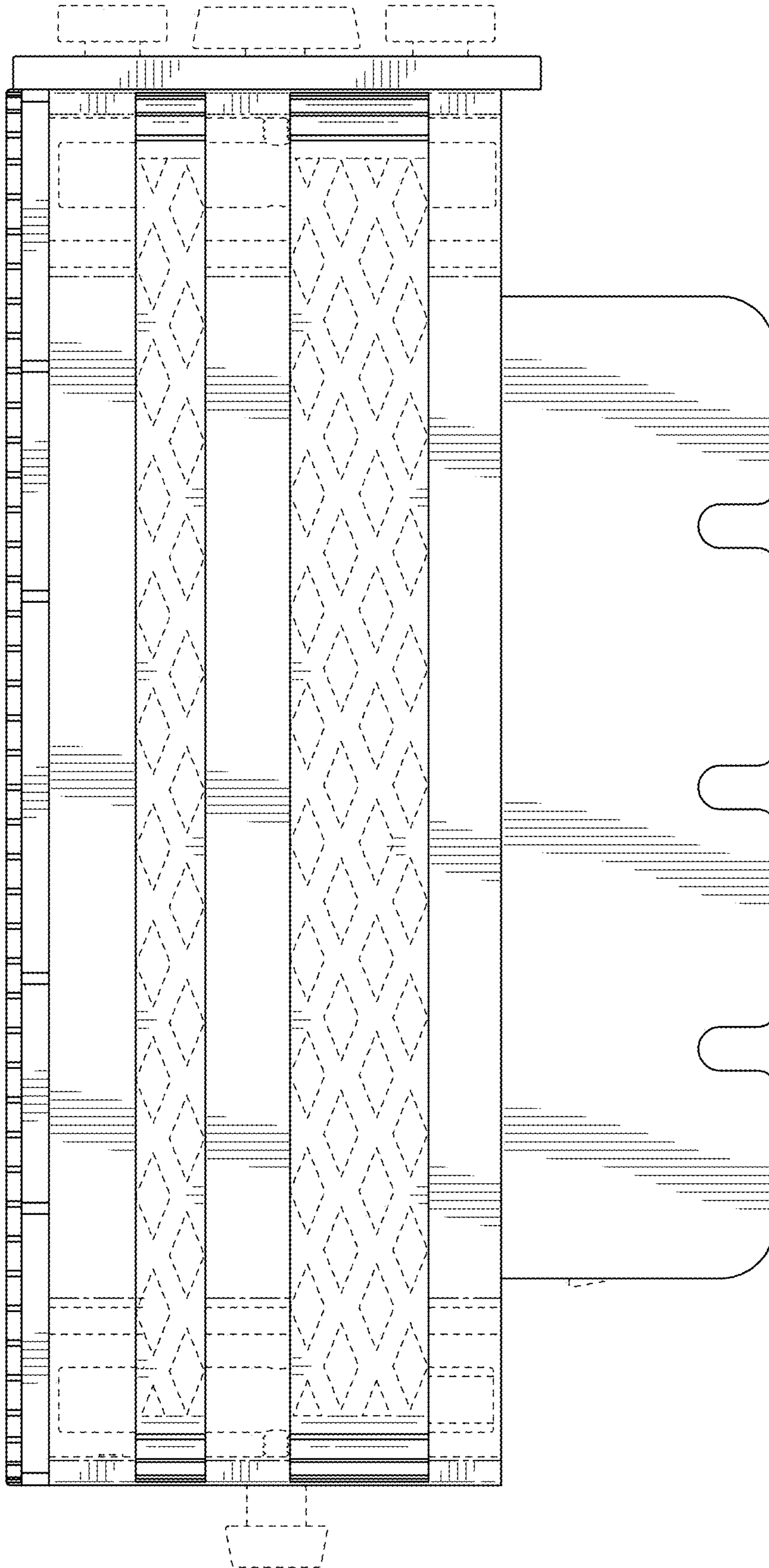


FIG. 9