



US00D975509S

(12) **United States Design Patent**  
**Ramirez**

(10) **Patent No.:** **US D975,509 S**

(45) **Date of Patent:** **\*\* Jan. 17, 2023**

(54) **THREE-TIER BOTTLE STORAGE HOLDER RACK**

(71) Applicant: **Patent One LLC**, Dover, DE (US)

(72) Inventor: **Roberts Ramirez**, Dover, DE (US)

(\*\*) Term: **15 Years**

(21) Appl. No.: **29/852,550**

(22) Filed: **Sep. 8, 2022**

(51) **LOC (14) Cl.** ..... **07-09**

(52) **U.S. Cl.**  
USPC ..... **D7/701**

(58) **Field of Classification Search**  
USPC ..... D7/701-708, 600.1-600.4  
CPC ..... A47B 73/00; A47B 73/002; A47B 73/004;  
A47B 73/006; A47B 73/008; A47B  
81/04; A47G 23/0241; A47G 23/0208;  
A45C 11/20; A47J 47/16; A47F 7/28;  
A47F 7/283

See application file for complete search history.

(56) **References Cited**

**U.S. PATENT DOCUMENTS**

D232,340 S \* 8/1974 Lax ..... D6/675.1  
D353,747 S 12/1994 Lanier

D365,732 S \* 1/1996 Kellen ..... D7/701  
D424,892 S \* 5/2000 Ribet ..... D7/701  
D734,109 S 7/2015 Goodman et al.  
9,211,009 B2 \* 12/2015 Greenwood ..... A47B 77/16  
D789,163 S \* 6/2017 Nemoto ..... D7/701  
D908,452 S \* 1/2021 Song ..... D7/701  
D914,407 S \* 3/2021 Greenwood ..... D6/675.1  
D942,809 S \* 2/2022 Chen ..... D7/600.4  
2002/0066708 A1 \* 6/2002 Gerard ..... A47F 7/283  
211/74

\* cited by examiner

*Primary Examiner* — Terry A Wallace

(74) *Attorney, Agent, or Firm* — Whitewood Law PLLC

(57) **CLAIM**

The ornamental design for a three-tier bottle storage holder, rack as shown.

**DESCRIPTION**

FIG. 1 is a perspective view of a three-tier bottle storage holder rack;

FIG. 2 is a front view thereof;

FIG. 3 is a rear view thereof;

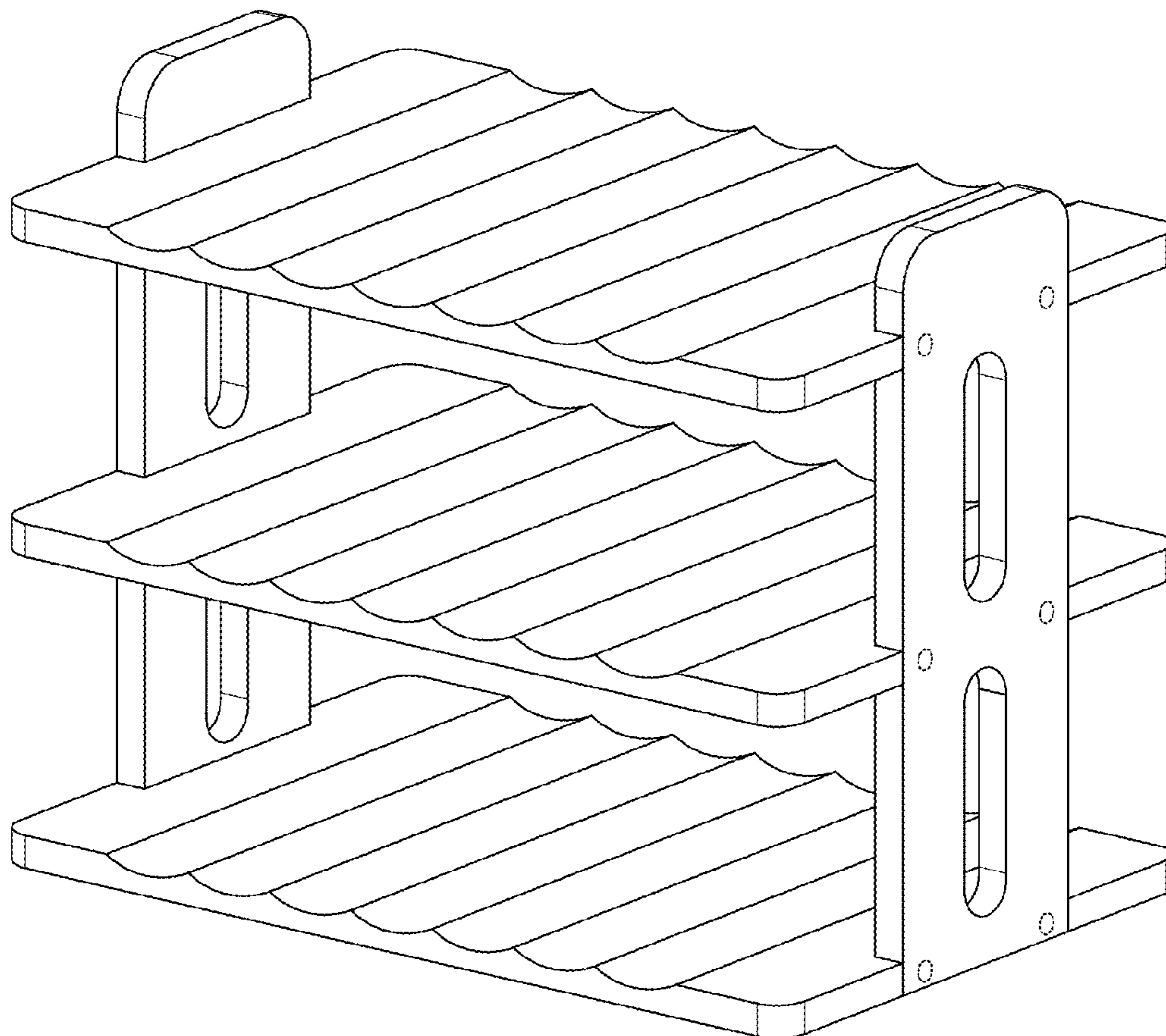
FIG. 4 is a left side elevational view thereof;

FIG. 5 is a right side elevational view thereof;

FIG. 6 is a top plan view thereof; and,

FIG. 7 is a bottom plan view thereof.

**1 Claim, 7 Drawing Sheets**



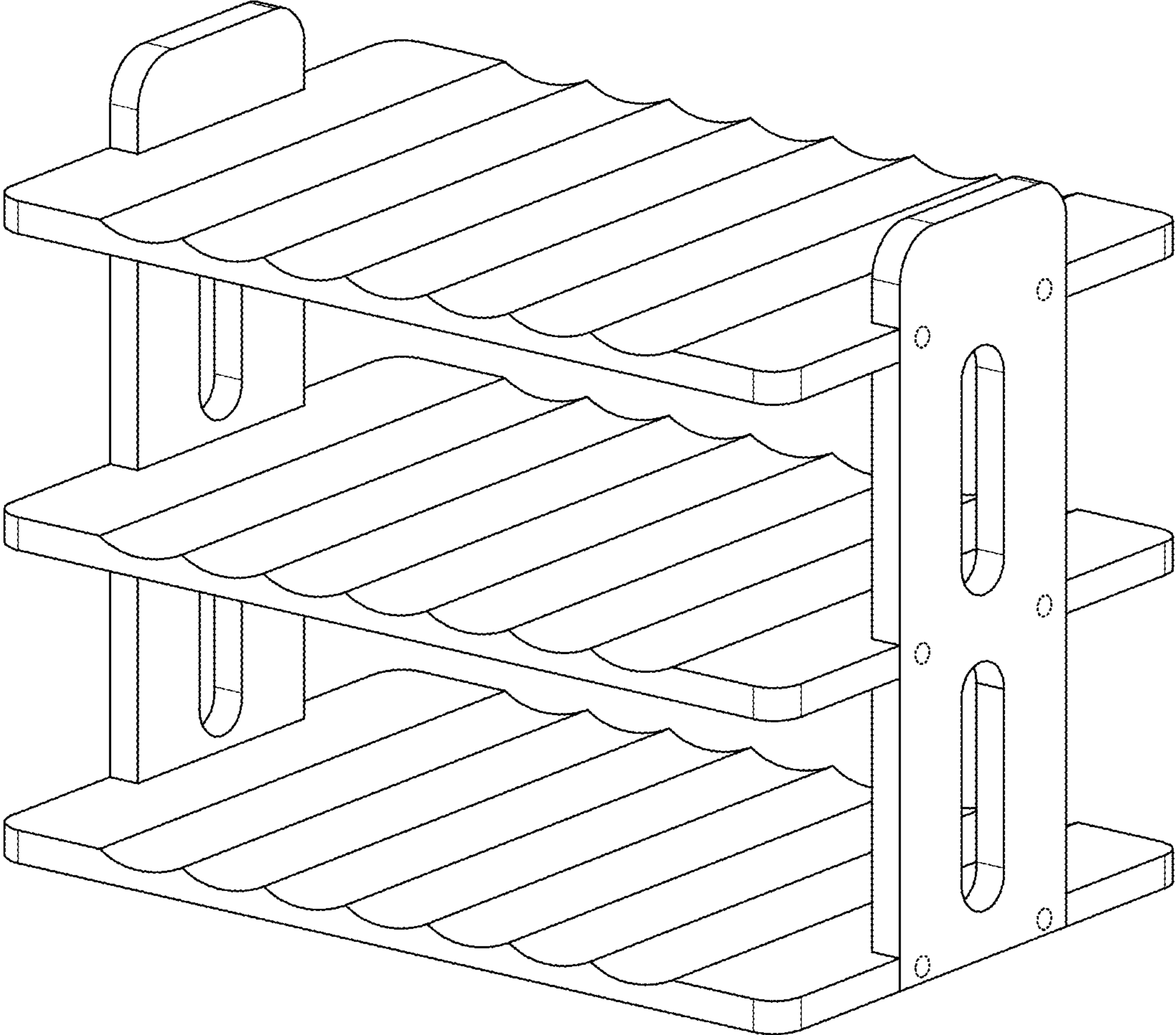


FIG. 1

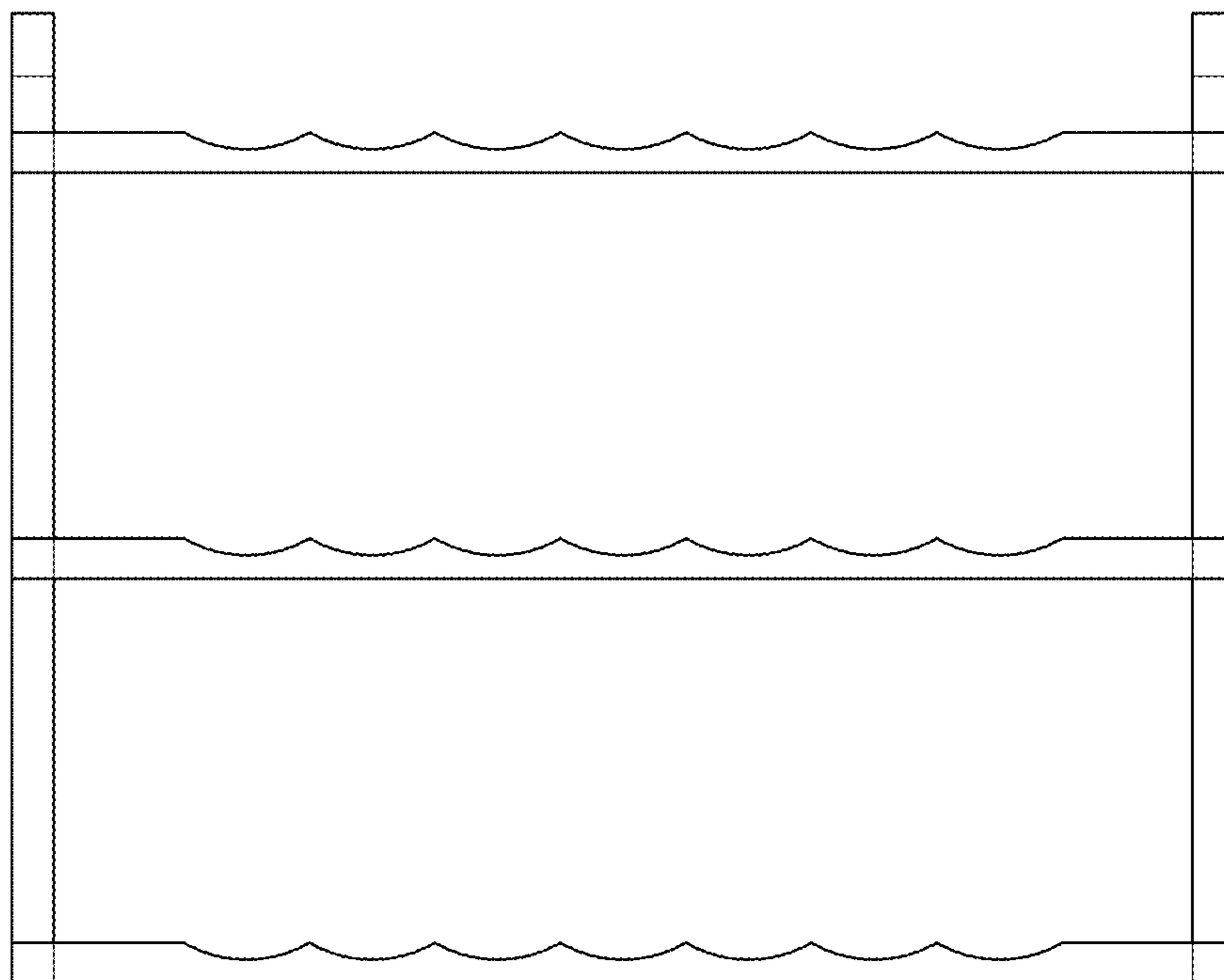


FIG. 2

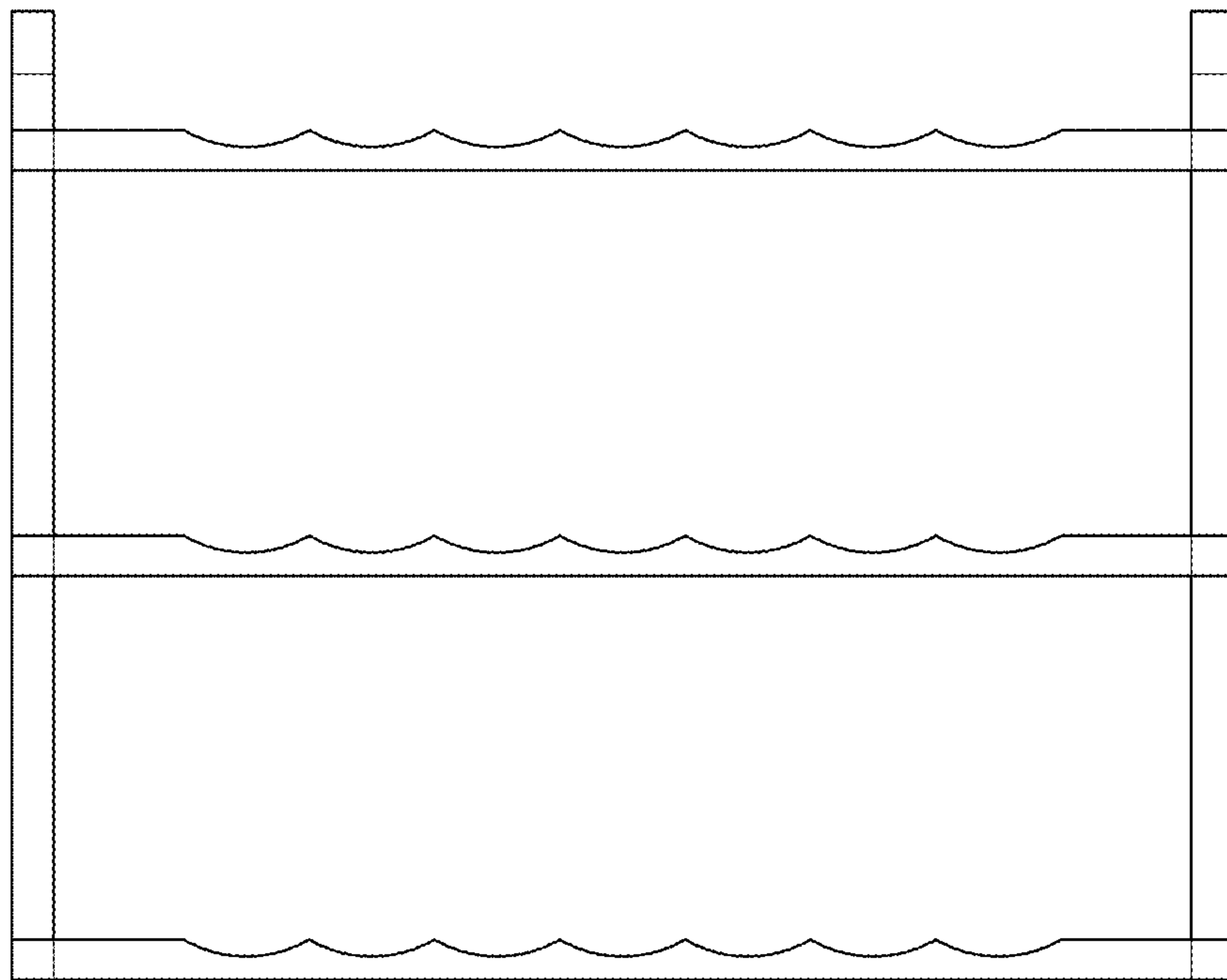


FIG. 3

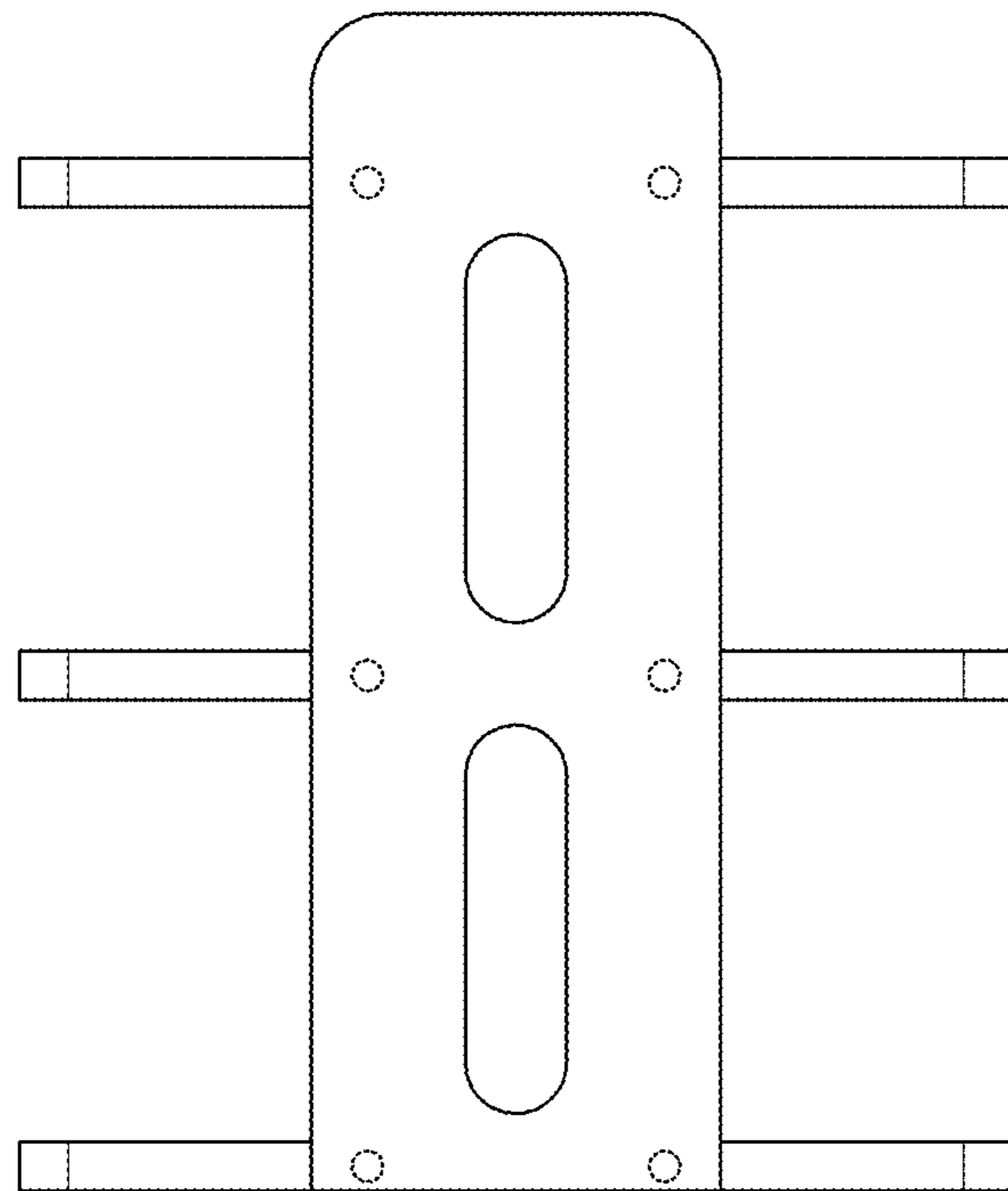


FIG. 4

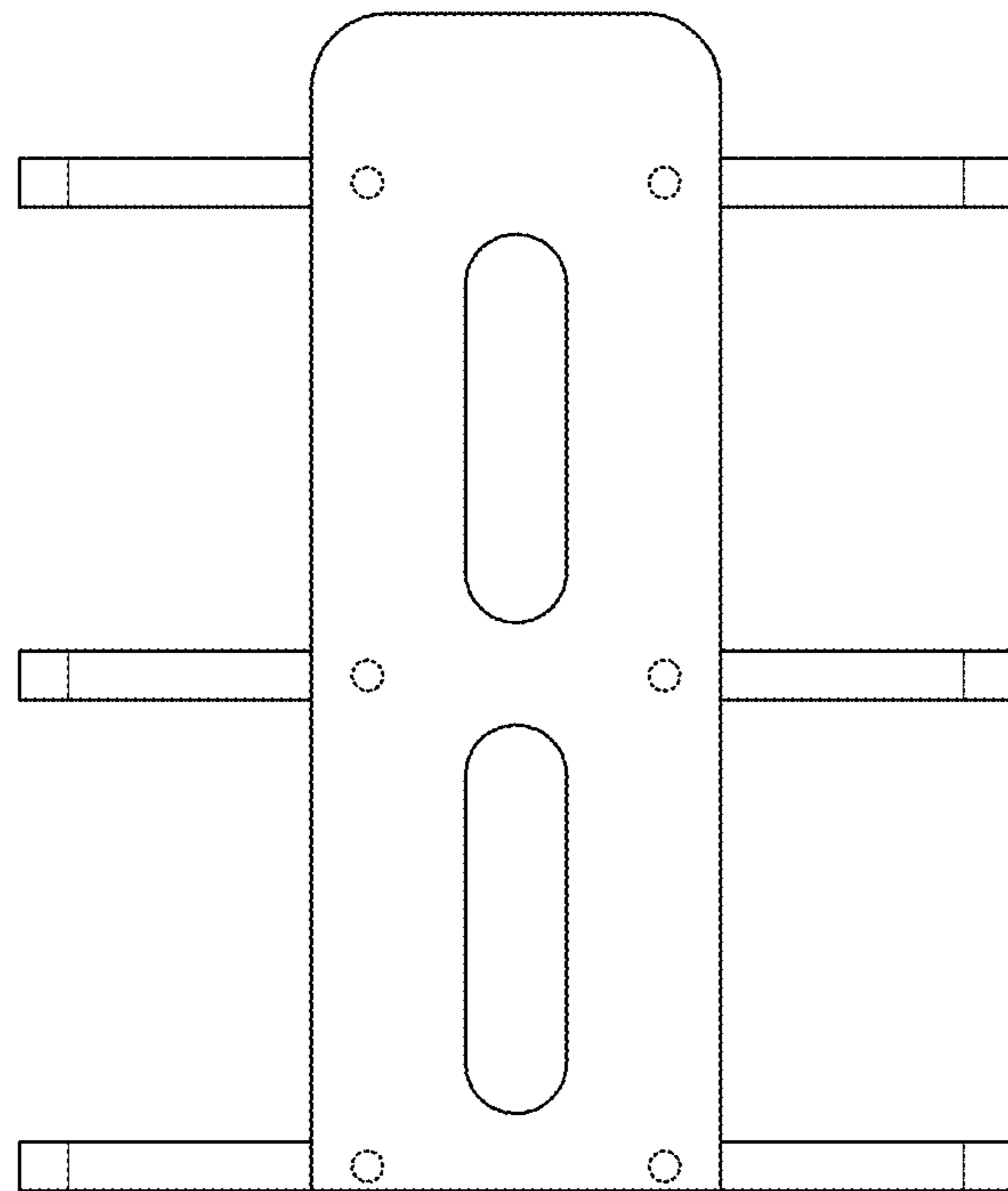


FIG. 5

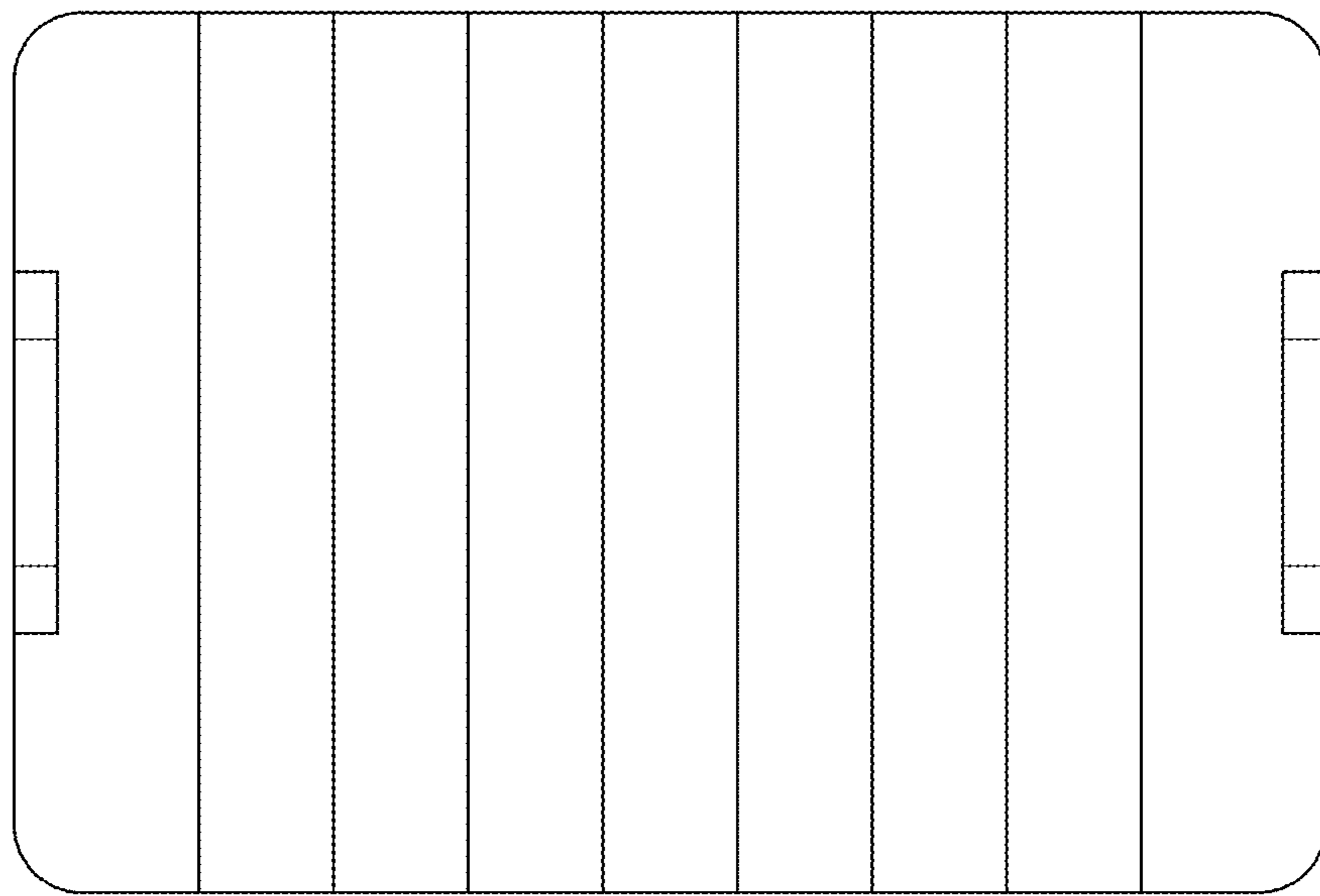


FIG. 6



FIG. 7