



US00D975507S

(12) **United States Design Patent**  
**Krus et al.**

(10) **Patent No.:** **US D975,507 S**  
(45) **Date of Patent:** **\*\* Jan. 17, 2023**

(54) **GINGER PEELER**

D393,986 S \* 5/1998 Joergensen ..... D7/678  
D494,026 S \* 8/2004 Brousseau ..... D7/678  
D550,522 S \* 9/2007 Raia ..... D21/656

(71) Applicant: **Lifetime Brands, Inc.**, Garden City,  
NY (US)

(72) Inventors: **Matt Krus**, Seattle, WA (US); **Ian Morgan**, Seattle, WA (US); **Sami Piercy**, Seattle, WA (US)

(73) Assignee: **Lifetime Brands, Inc.**, Garden City,  
NY (US)

(\*\*) Term: **15 Years**

(21) Appl. No.: **29/779,113**

(22) Filed: **Apr. 16, 2021**

(51) **LOC (14) Cl.** ..... **07-04**

(52) **U.S. Cl.**  
USPC ..... **D7/693; D7/678**

(58) **Field of Classification Search**  
USPC ..... D7/678, 680–696, 393, 395, 368, 669  
CPC .. A47J 17/02; A47J 17/00; A47J 17/04; A47J  
17/06; A47J 17/08; A47J 17/10; A47J  
43/25; A47J 43/255; A47J 42/40; A47J  
42/04; A47J 42/34; A47J 42/14; A47J  
42/00; B26D 3/185; B26D 3/26; B26D  
3/283; B26D 2003/285–288

See application file for complete search history.

(56) **References Cited**

**U.S. PATENT DOCUMENTS**

D140,433 S \* 2/1945 Rosenbloom ..... D7/678  
4,037,793 A \* 7/1977 Puustinen ..... A47J 43/25  
241/168

**OTHER PUBLICATIONS**

Amazon.com, Chef 'n Pee 'n Grate, Ginger Peeler and Grater,  
ASIN: B0B23C7LFG, 8 pages, date first available May 23, 2022  
(Year: 2022).\*

\* cited by examiner

*Primary Examiner* — Terry A Wallace

(74) *Attorney, Agent, or Firm* — Tutunjian & Bitetto, P.C.

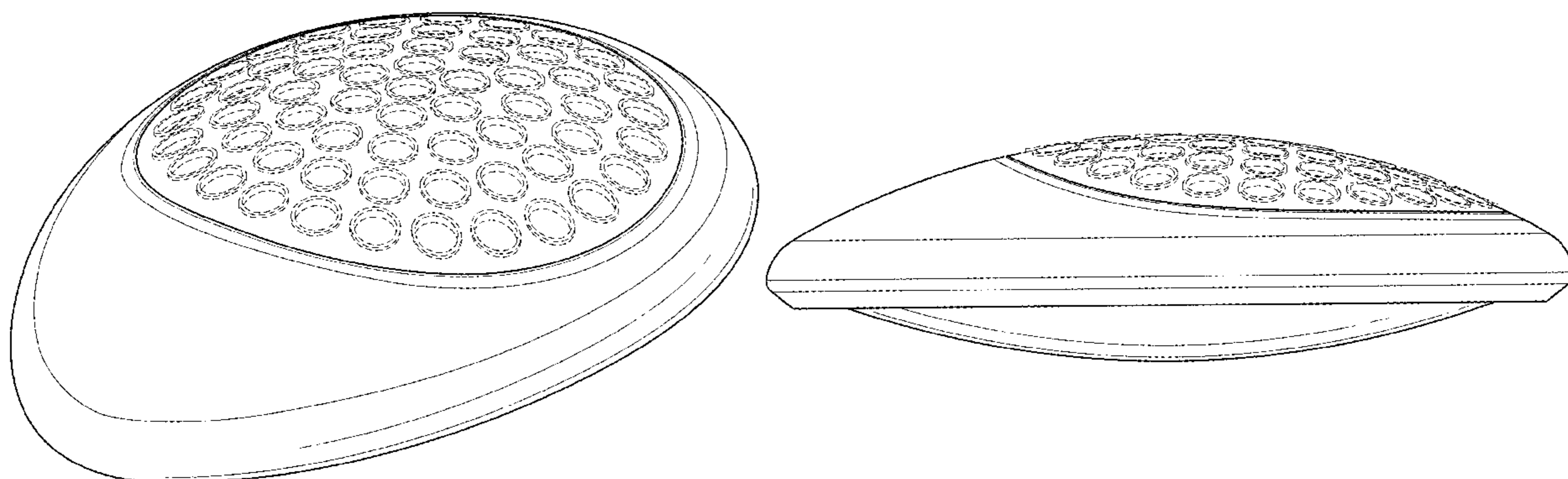
(57) **CLAIM**

The ornamental design for a ginger peeler, as shown and described.

**DESCRIPTION**

FIG. 1 is a top perspective view of the ginger peeler showing our new design;  
FIG. 2 is a right side view thereof;  
FIG. 3 is a front view thereof;  
FIG. 4 is a left side view thereof;  
FIG. 5 is a rear view thereof;  
FIG. 6 is a top view thereof; and,  
FIG. 7 is a bottom view thereof.  
The broken lines in the drawings depict structure that forms no part of the claimed design.

**1 Claim, 4 Drawing Sheets**



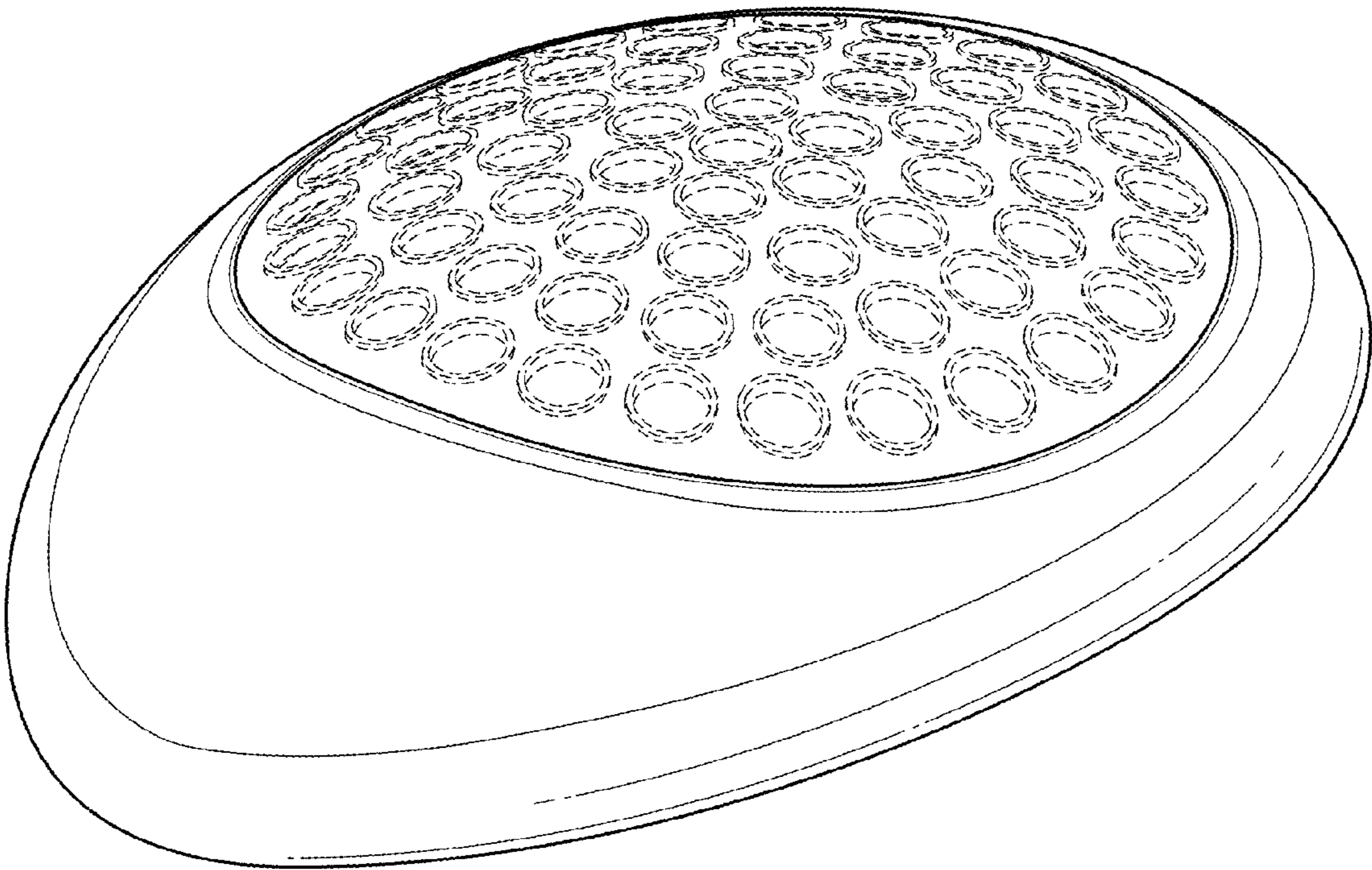


FIG. 1

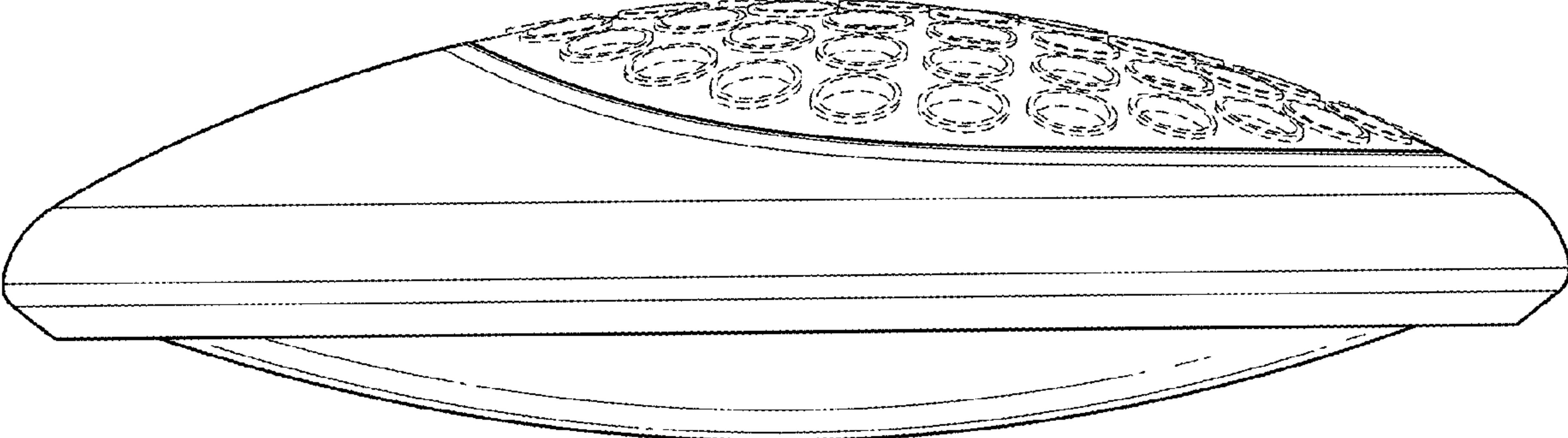


FIG. 2

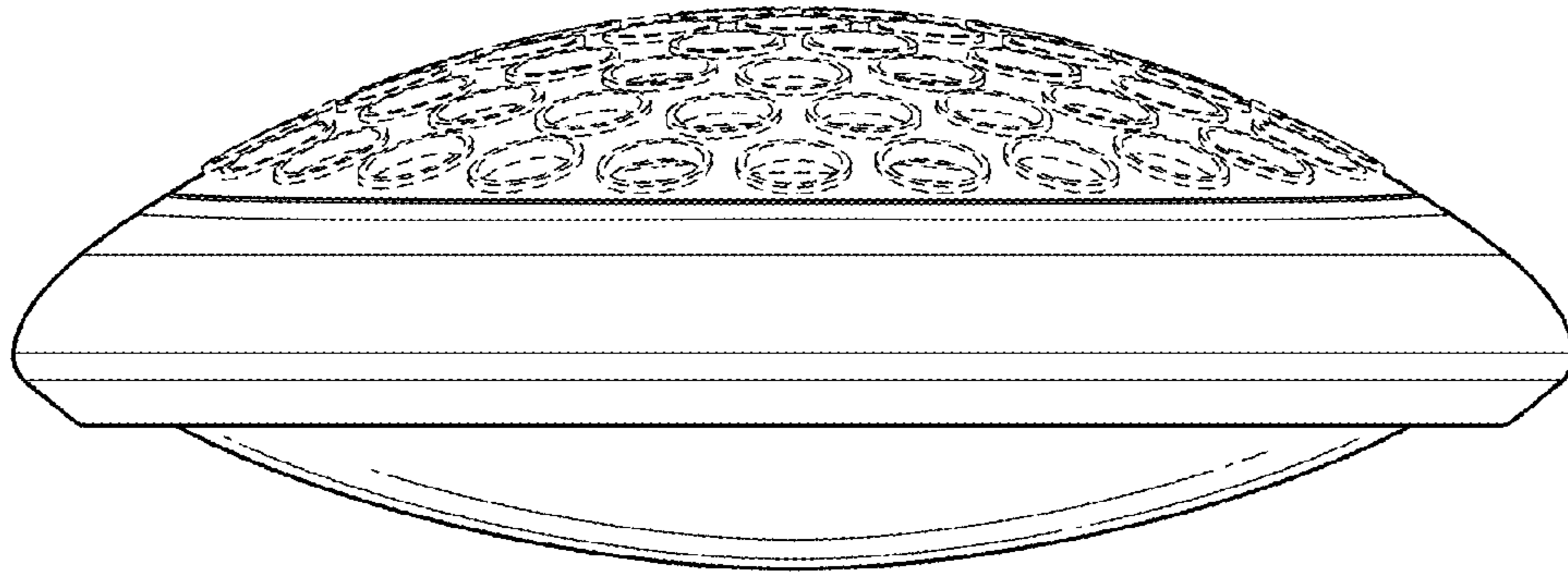


FIG. 3

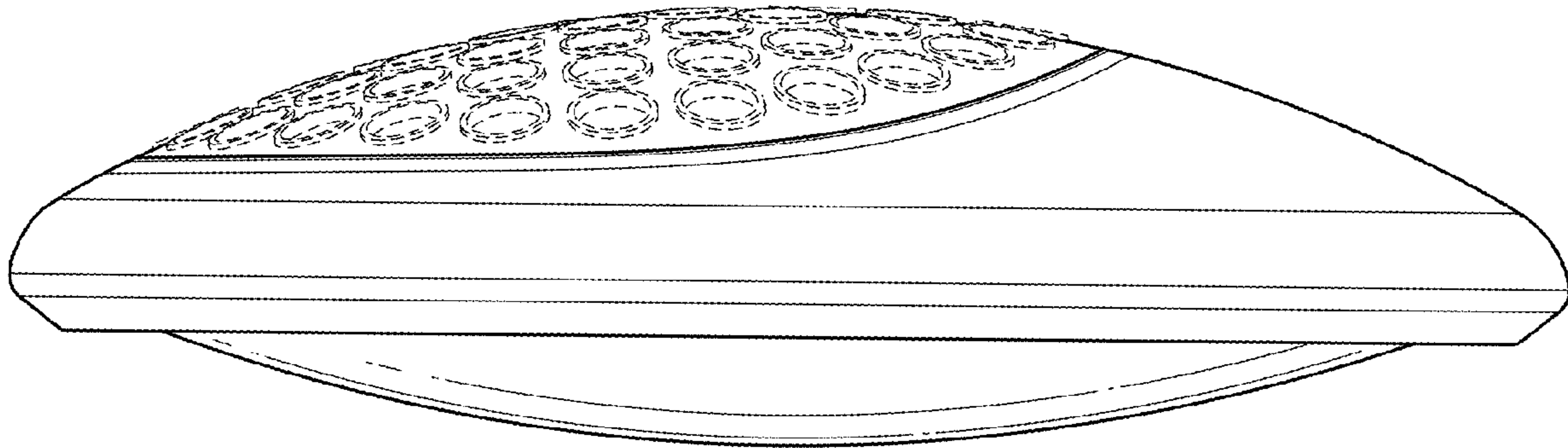


FIG. 4

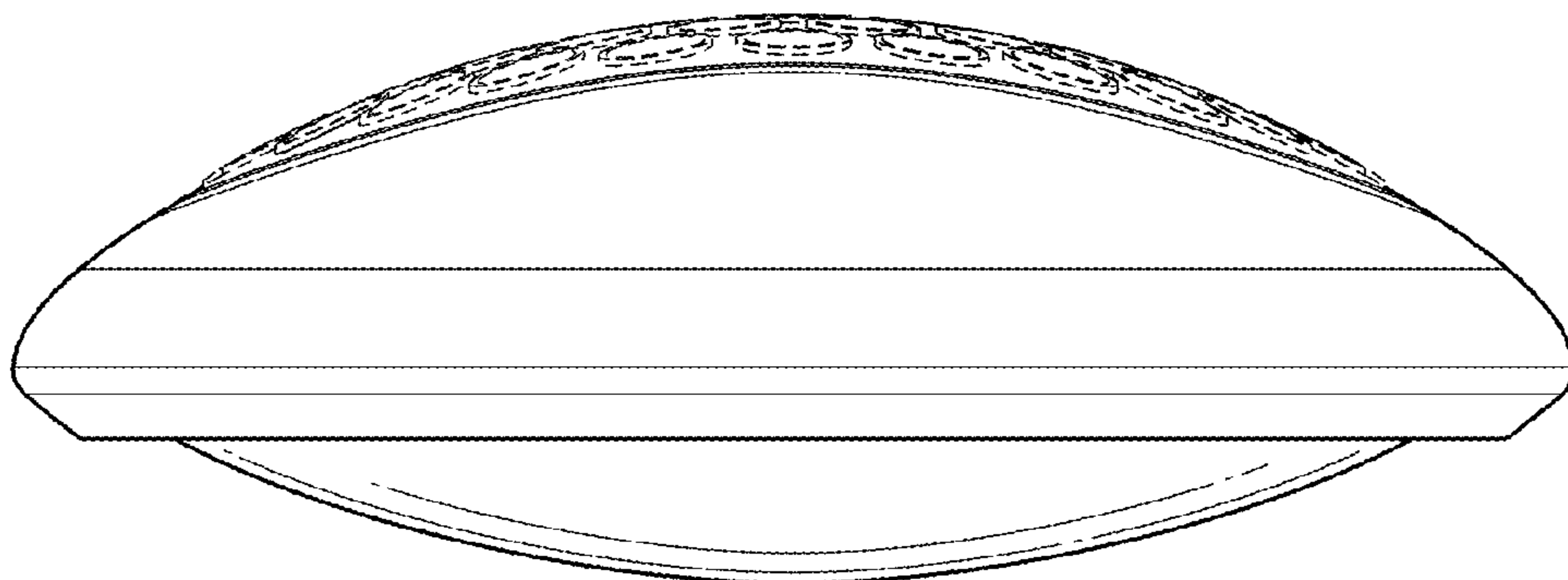


FIG. 5

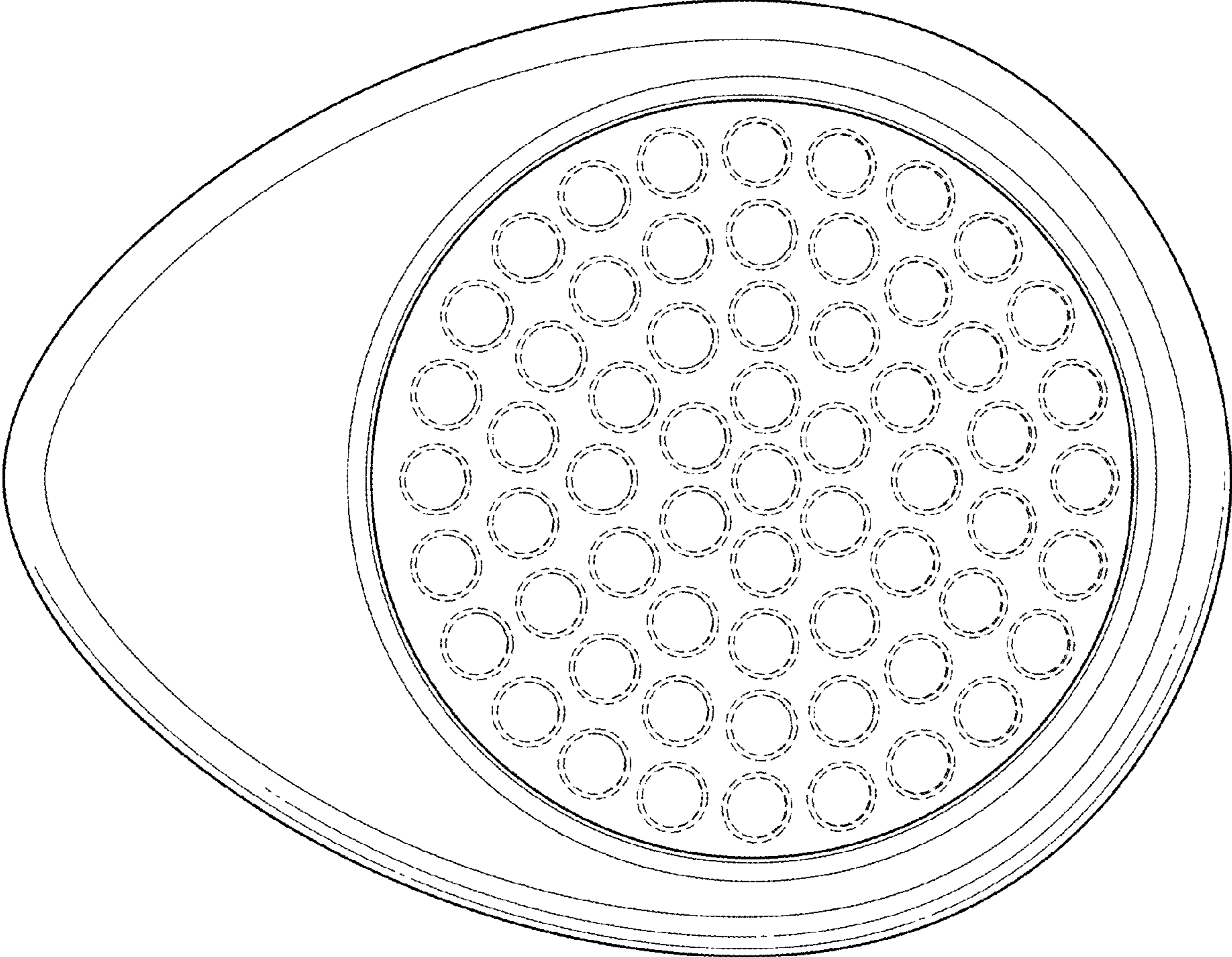


FIG. 6

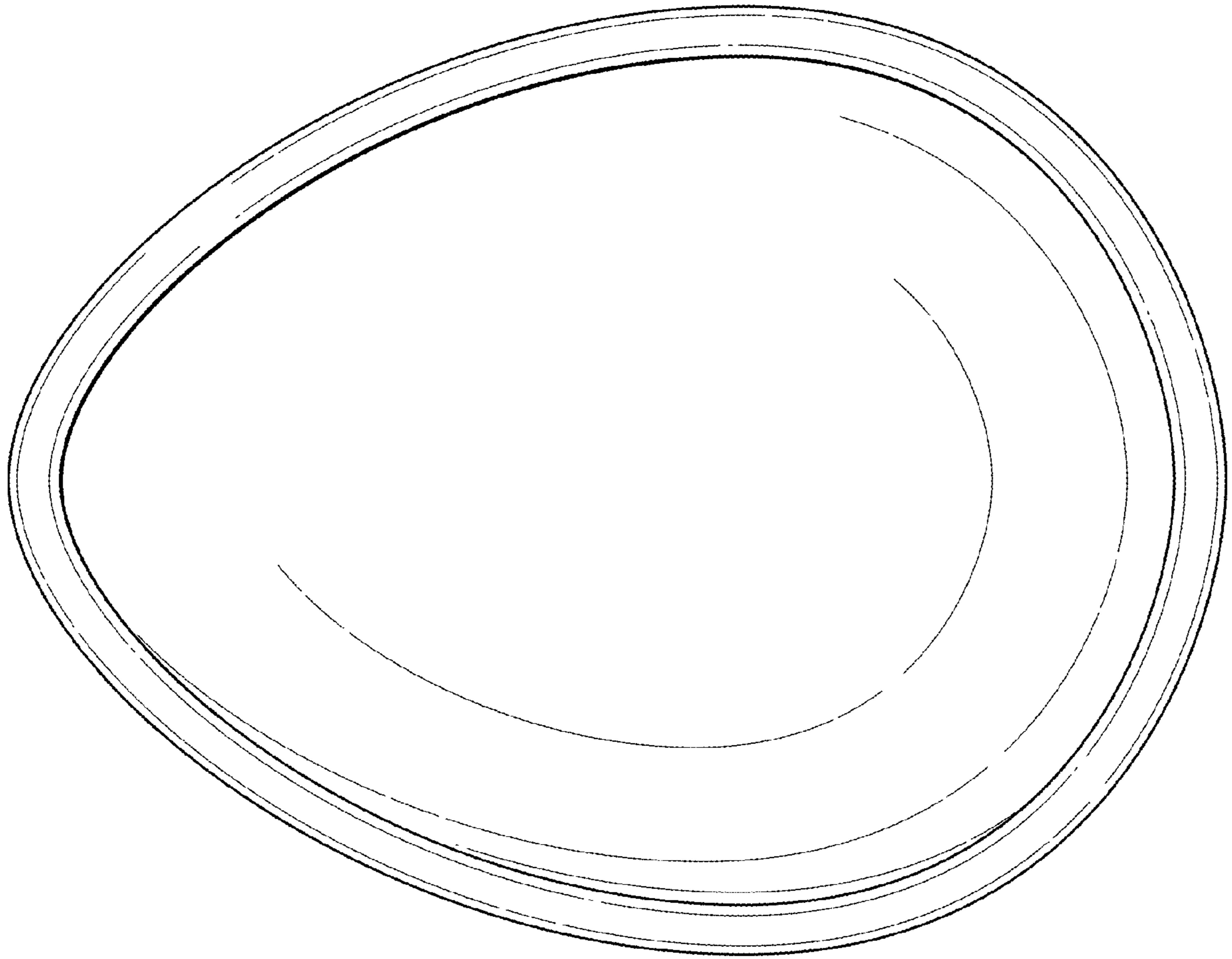


FIG. 7