



US00D975506S

(12) **United States Design Patent**
Lin

(10) **Patent No.:** **US D975,506 S**
(45) **Date of Patent:** **** Jan. 17, 2023**

(54) **SCISSORS**
(71) Applicant: **Jialiang Lin**, Shenzhen (CN)
(72) Inventor: **Jialiang Lin**, Shenzhen (CN)
(**) Term: **15 Years**
(21) Appl. No.: **29/774,782**
(22) Filed: **Mar. 19, 2021**
(51) **LOC (14) Cl.** **07-04**
(52) **U.S. Cl.**
USPC **D7/693**
(58) **Field of Classification Search**
USPC D7/368, 669, 680–696; D8/5, 52, 57
CPC A47J 19/00; A47J 19/005; B26B 13/00;
B26B 13/06; B26B 13/28; B26B 17/00;
B26B 13/12
See application file for complete search history.

(56) **References Cited**

U.S. PATENT DOCUMENTS

D243,650 S *	3/1977	Hayashi	D8/57
D246,223 S *	11/1977	Hayashi	D8/57
D276,975 S *	1/1985	Wordtmann	D8/57
D310,469 S *	9/1990	Dressler	D8/57
D337,248 S *	7/1993	Tanfoglio	D8/57
D431,436 S *	10/2000	Gstalder	D8/57

OTHER PUBLICATIONS

Amazon.com, IBAYAM Kitchen Shears, Heavy Duty Meat Scissors, Poultry Shears, ASIN: B08FLKHG8J, 10 pages, date first available Dec. 5, 2020. (Year: 2020).*

Amazon.com, Zulay Store, Ultra Sharp Multi-Purpose Kitchen Scissors, Premium Kitchen shears, Heavy Duty SS Blades with Soft Grip Handles, ASIN: B07N7LG122, date first available May 20, 2019 (Year: 2019).*

* cited by examiner

Primary Examiner — Terry A Wallace

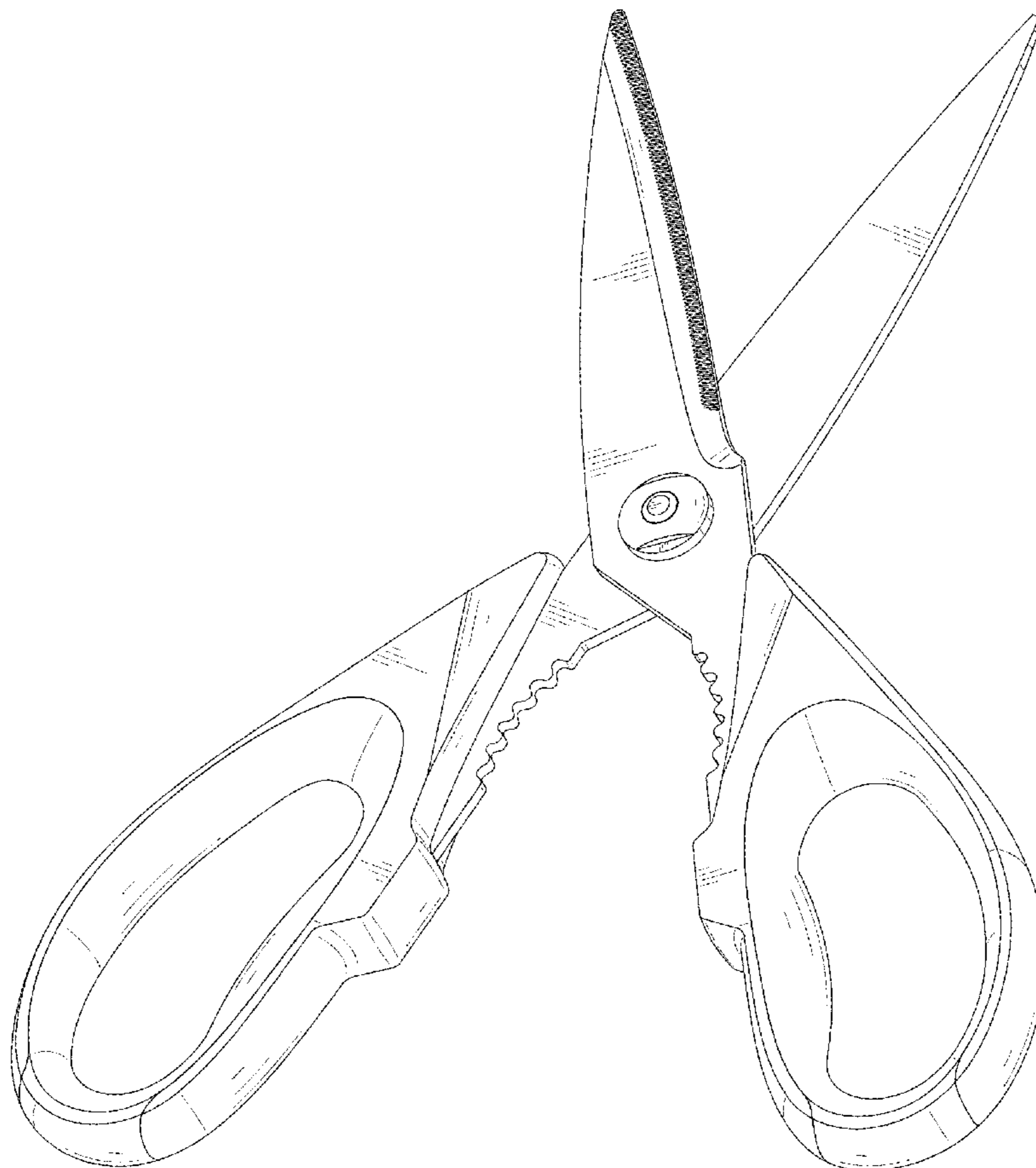
(57) **CLAIM**

The ornamental design for a scissors, as shown and described.

DESCRIPTION

FIG. 1 is a perspective view of scissors showing my new design;
FIG. 2 is another perspective view thereof;
FIG. 3 is a front elevational view thereof;
FIG. 4 is a rear elevational view thereof;
FIG. 5 is a left side elevational view thereof;
FIG. 6 is a right side elevational view thereof;
FIG. 7 is a top plan view thereof;
FIG. 8 is a bottom plan view thereof; and,
FIG. 9 is a perspective view of the scissors where the scissors is in a configuration of use.
The broken lines depicting a blade protection cover in FIG. 9 are for the purpose of illustrating environment and form no part of the claimed design.

1 Claim, 9 Drawing Sheets



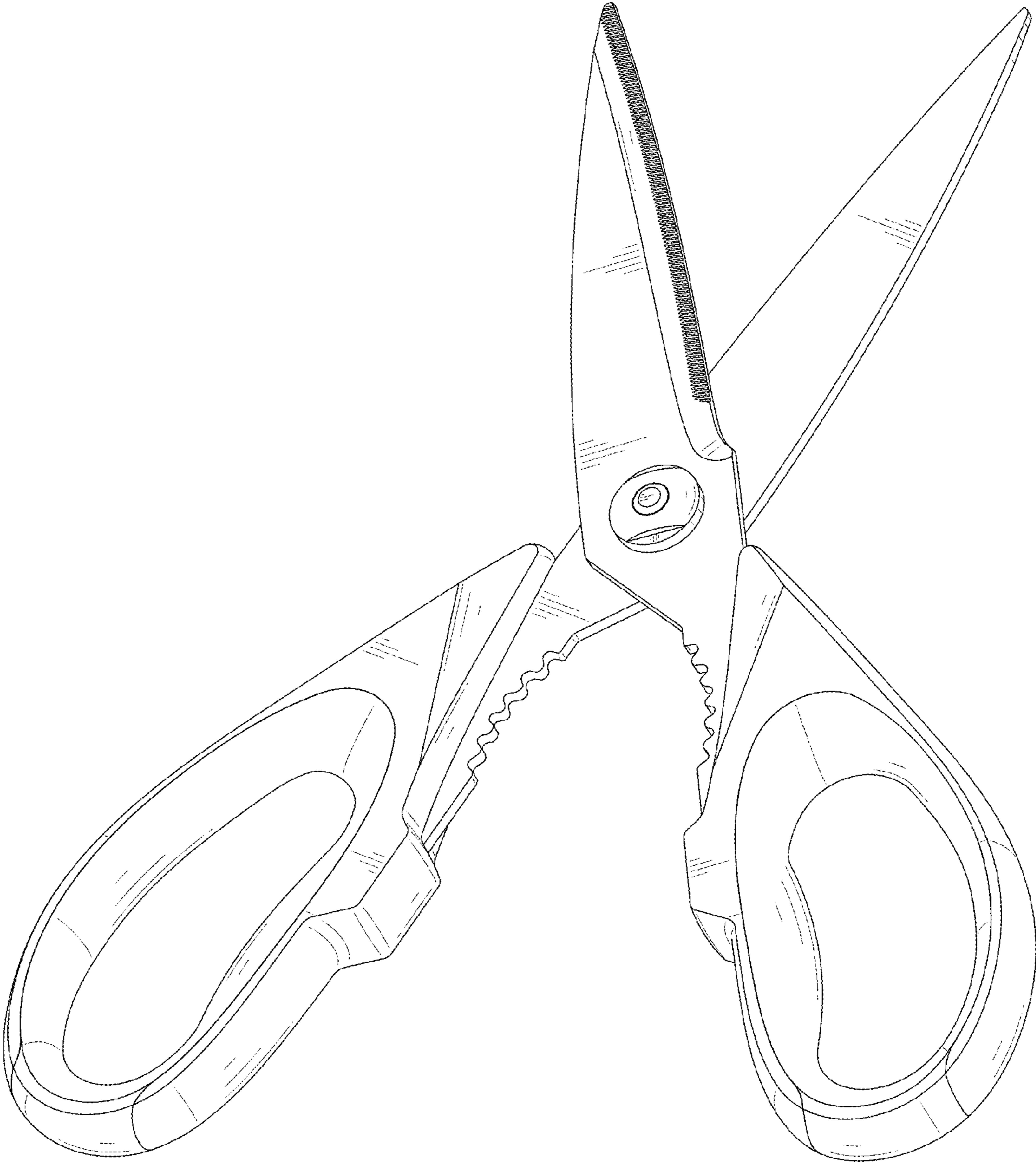


FIG. 1

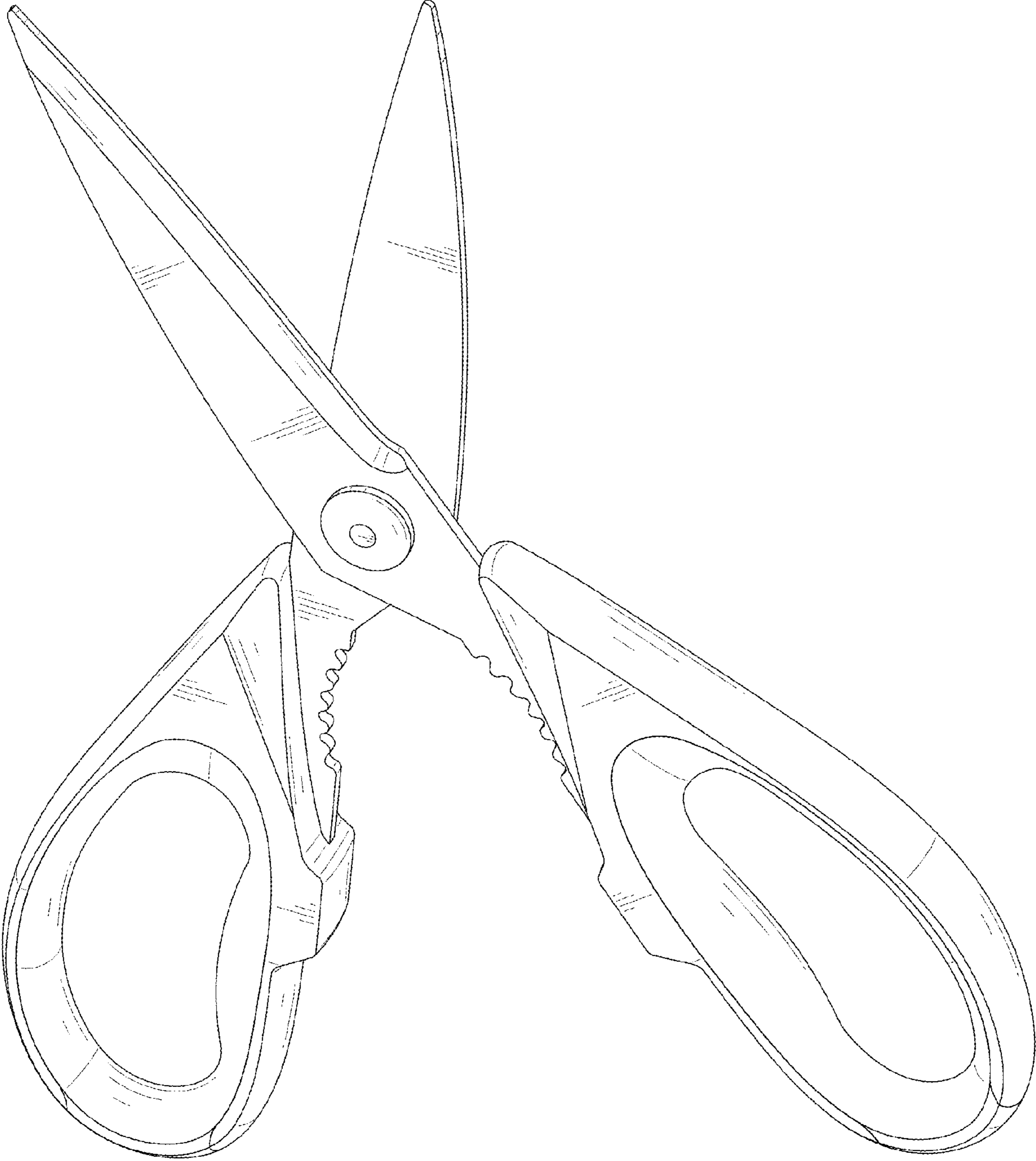


FIG. 2

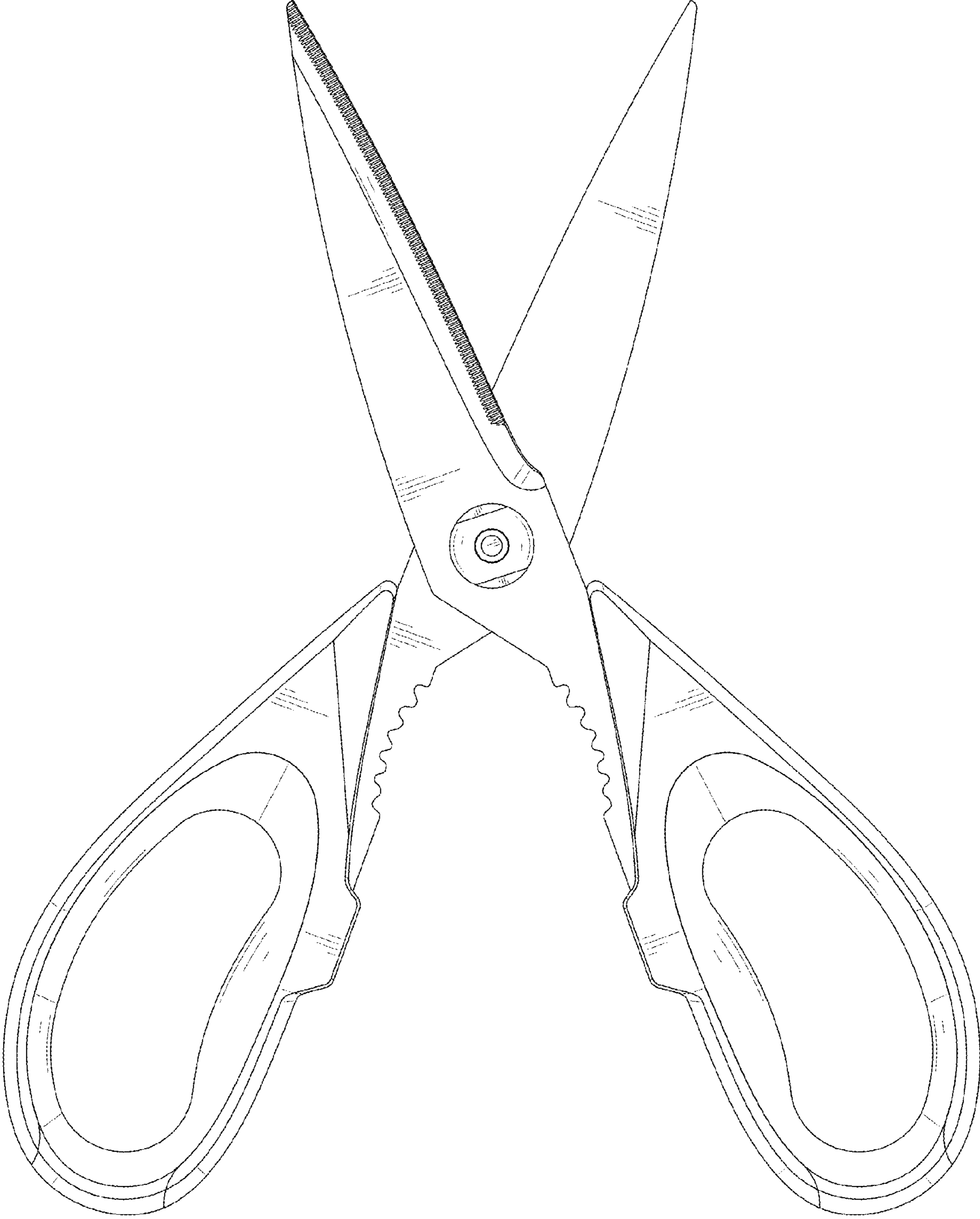


FIG. 3

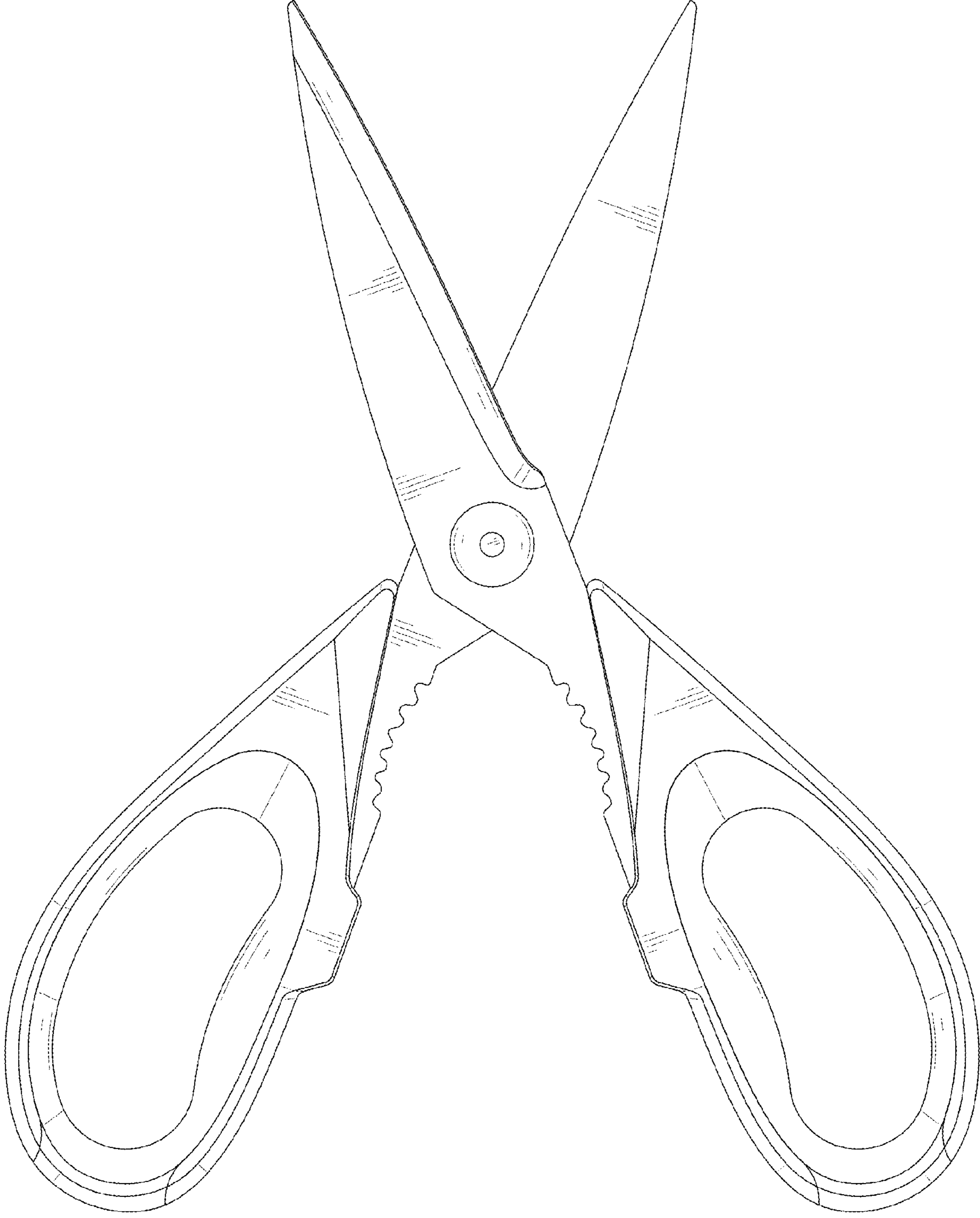


FIG. 4

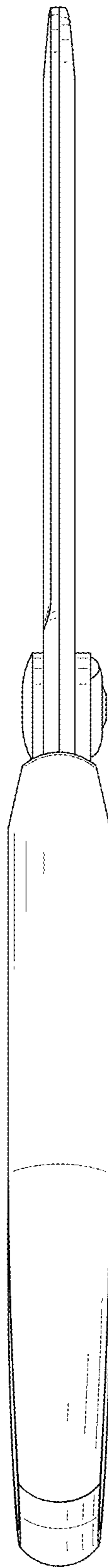


FIG. 5

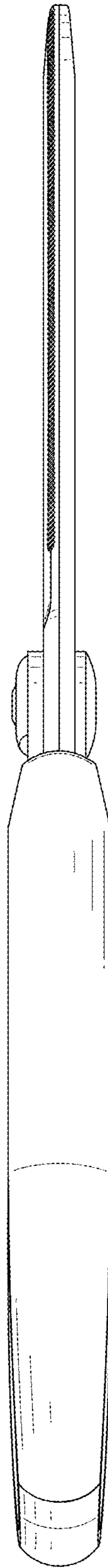


FIG. 6

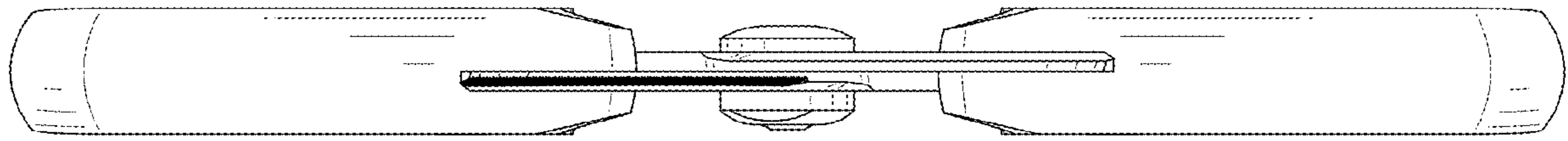


FIG. 7

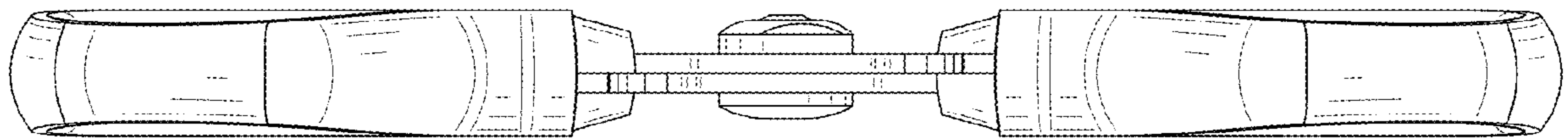


FIG. 8

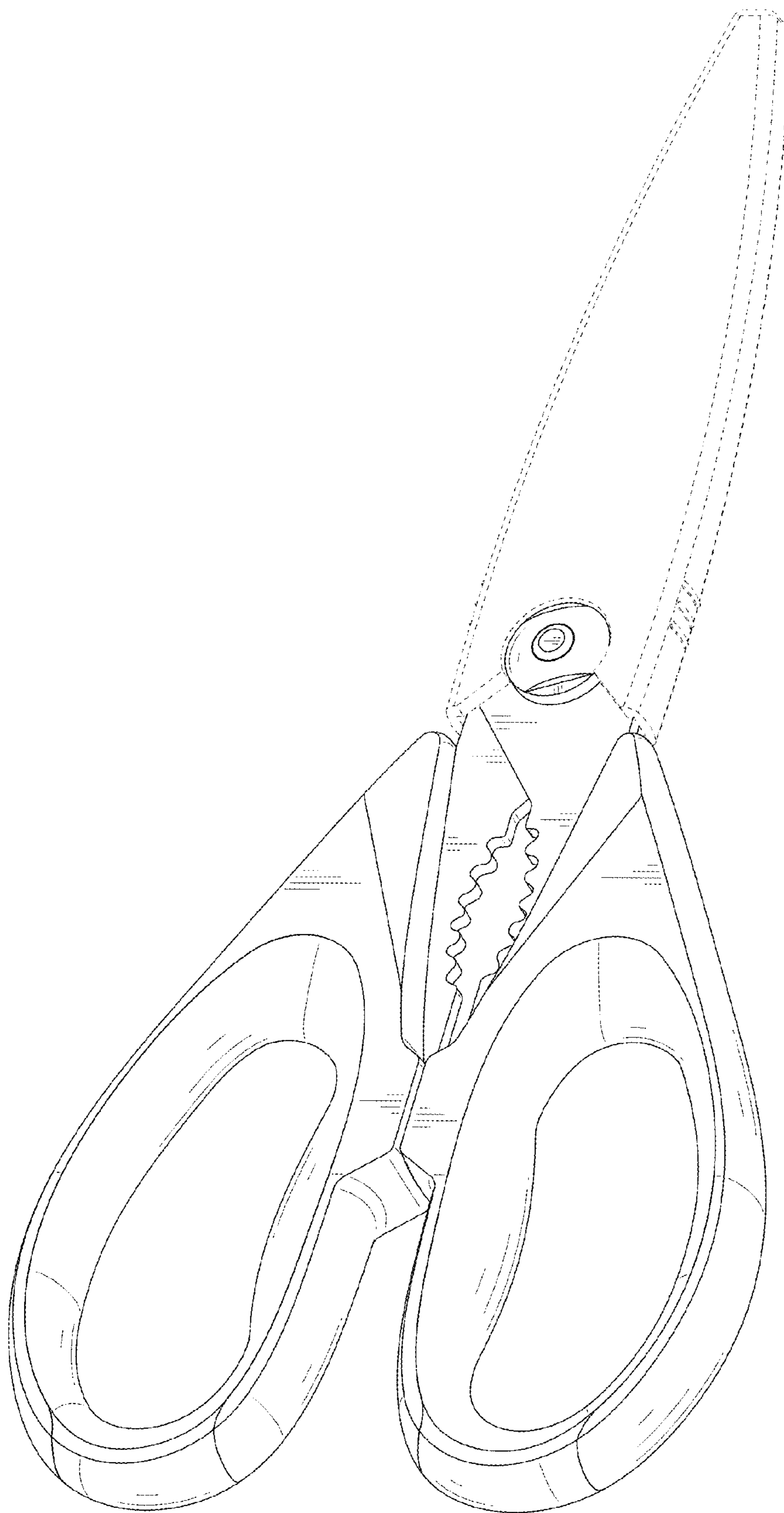


FIG. 9