



US00D975505S

(12) **United States Design Patent** (10) **Patent No.:** **US D975,505 S**
Pentelovitch et al. (45) **Date of Patent:** **** Jan. 17, 2023**

(54) **CONTAINER**

(71) Applicant: **Helen of Troy Limited**, St. Michael (BB)

(72) Inventors: **Noah Ziman Pentelovitch**, New York, NY (US); **Makiko Kida**, Chiba (JP); **Nobuyuki Ogasawara**, Chiba (JP); **Tamotsu Matsumoto**, Chiba (JP); **Taiki Nosaka**, Chiba (JP)

(73) Assignee: **Helen of Troy Limited**, St. Michael (BB)

(**) Term: **15 Years**

(21) Appl. No.: **29/698,648**

(22) Filed: **Jul. 18, 2019**

(51) **LOC (14) Cl.** **09-07**

(52) **U.S. Cl.**
USPC **D7/629**; D9/549

(58) **Field of Classification Search**
USPC D7/601, 602, 605, 612, 615, 629, 387, D7/396.1, 396.2, 397; D9/738, 772-780, D9/516, 549, 558, 559, 434, 435; D3/201, 202, 203.2
CPC .. A47J 41/00; A47J 41/02; B65D 1/10; B65D 21/00; B65D 41/04; B65D 43/02
See application file for complete search history.

(56) **References Cited**

U.S. PATENT DOCUMENTS

D267,071 S *	11/1982	Carlson	D7/629
D333,758 S *	3/1993	Lillelund	D7/602
D335,428 S *	5/1993	Picozza	D7/629
D593,811 S *	6/2009	Carreno	D9/504
D642,057 S *	7/2011	Reed	D9/453
D655,582 S	3/2012	Matsumoto		
D660,084 S *	5/2012	Gilbert	D7/510

(Continued)

OTHER PUBLICATIONS

<https://www.oxo.com/categories/cooking-and-baking/food-containers/pop-containers/3-piece-pop-round-canister-set-white.html> (publicly available prior to Jul. 18, 2019).

Primary Examiner — Andrew Kerr

(74) *Attorney, Agent, or Firm* — Rankin, Hill & Clark LLP

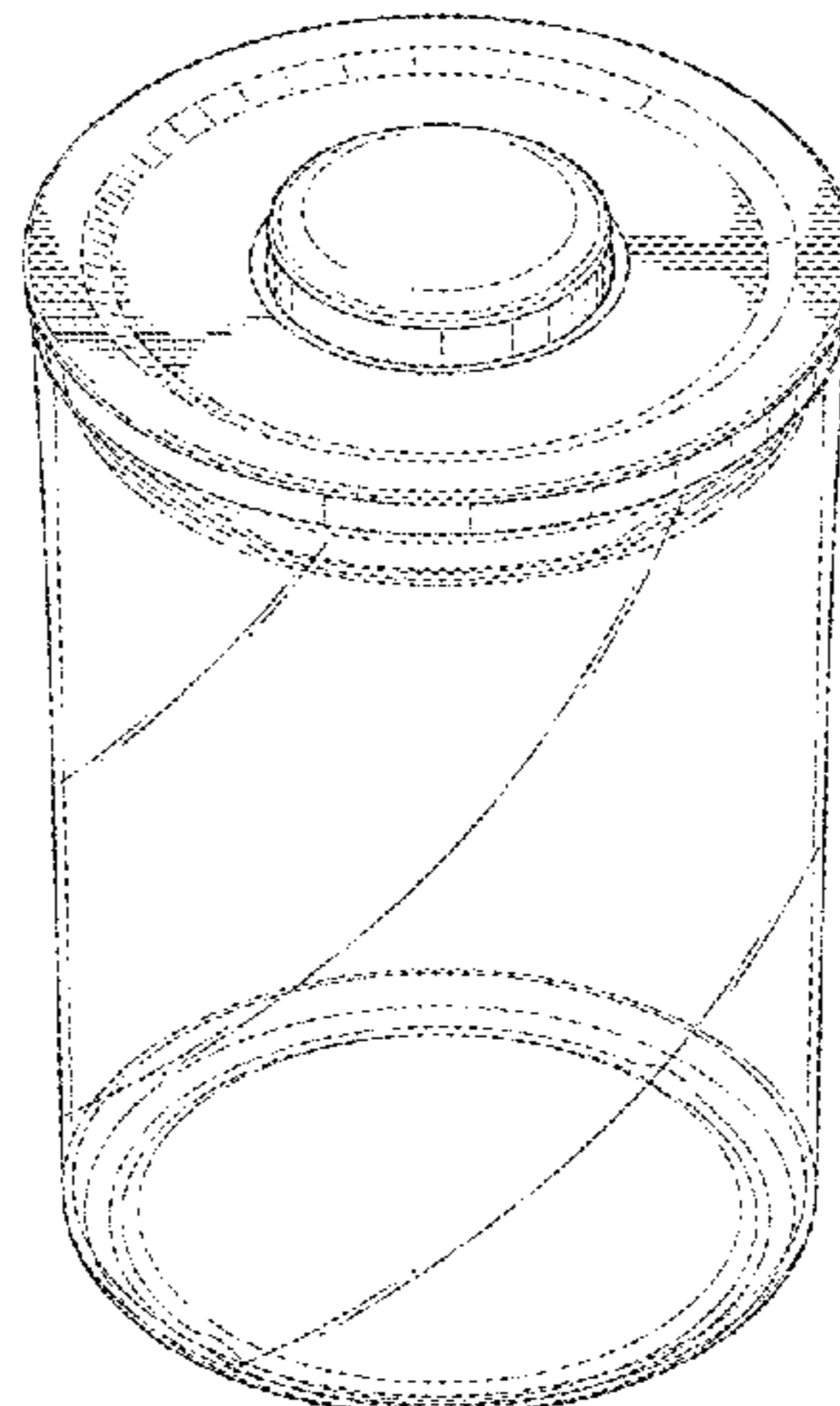
(57) **CLAIM**

The ornamental design for a container, as shown and described.

DESCRIPTION

FIG. 1 is a top perspective view of a first embodiment of a container, showing our new design, with a button in an extended position;
FIG. 2 is a top perspective view thereof with the button in a depressed position;
FIG. 3 is a bottom perspective view thereof;
FIG. 4 is a side elevational view thereof with the button in the extended position;
FIG. 5 is another side elevational view thereof, with the button in a depressed position;
FIG. 6 is a top plan view thereof;
FIG. 7 is a bottom plan view thereof;
FIG. 8 is a top perspective view of a second embodiment of a container, showing our new design, with a button in an extended position;
FIG. 9 is a top perspective view thereof with the button in a depressed position;
FIG. 10 is a bottom perspective view thereof;
FIG. 11 is a side elevational view thereof with the button in the extended position;
FIG. 12 is another side elevational view thereof, with the button in the depressed position;
FIG. 13 is a top plan view thereof; and,
FIG. 14 is a bottom plan view thereof.
FIGS. 8-12 of the container are shown with a symbolic break in its length. The appearance of any portion of the article between the break lines forms no part of the claimed design.

1 Claim, 14 Drawing Sheets



(56)

References Cited

U.S. PATENT DOCUMENTS

D679,960	S	*	4/2013	Hopkins	D7/629
D680,387	S	*	4/2013	Hopkins	D7/629
D687,304	S	*	8/2013	Tanner	D9/767
D849,559	S	*	5/2019	Swenson	D9/779
D850,781	S	*	6/2019	Danopoulos	D3/203.1
D852,000	S	*	6/2019	Zou	D7/511
D888,505	S	*	6/2020	Seiders	D7/624.2
D917,292	S	*	4/2021	Blomberg	D9/504
D920,746	S	*	6/2021	Seiders	D7/624.2
D948,957	S	*	4/2022	Tsai	D7/615
D951,091	S	*	5/2022	Bontrager	D9/454
2016/0016700	A1	*	1/2016	Stevens	B65B 61/182 220/276

* cited by examiner

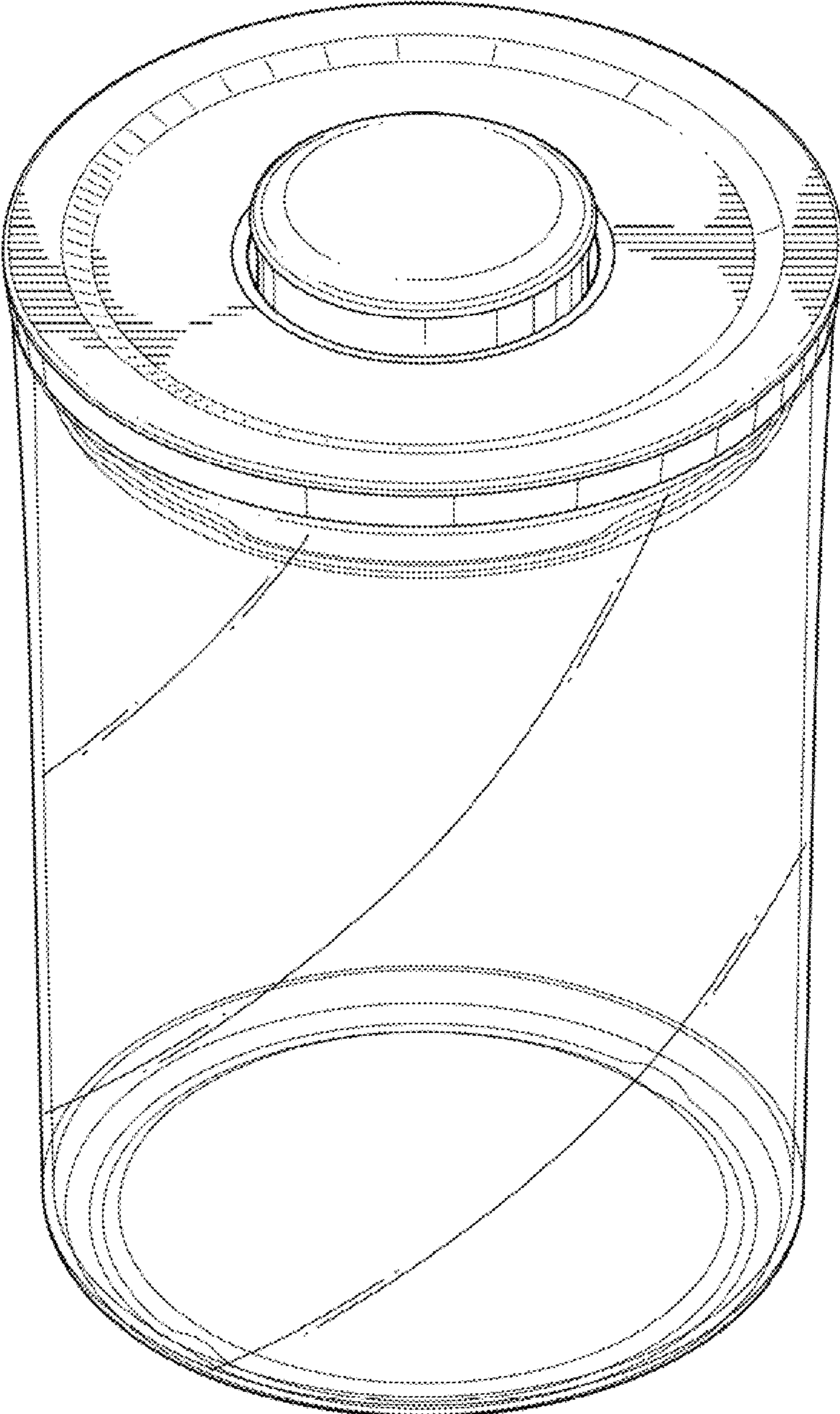


FIG. 1

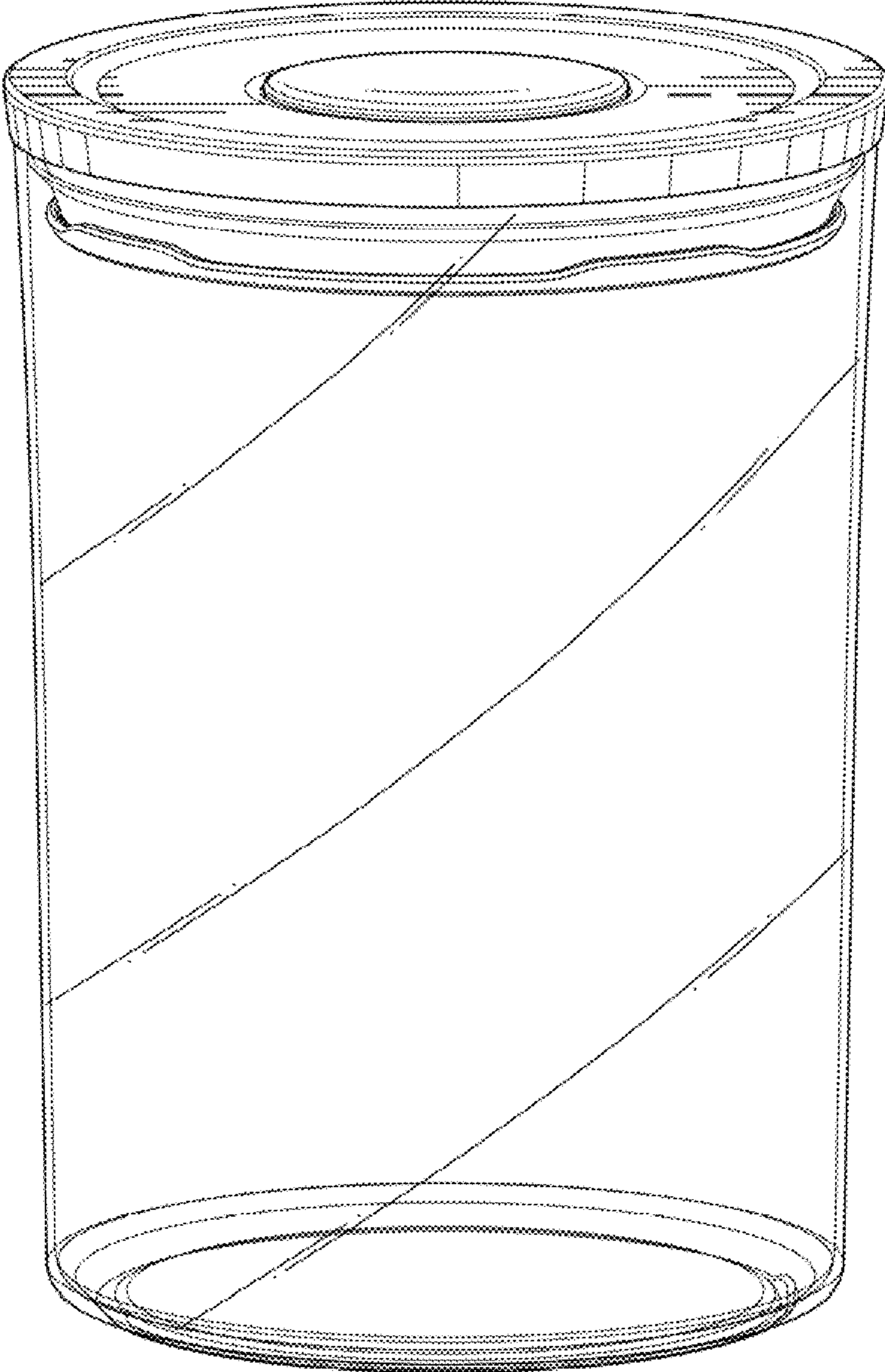


FIG.2

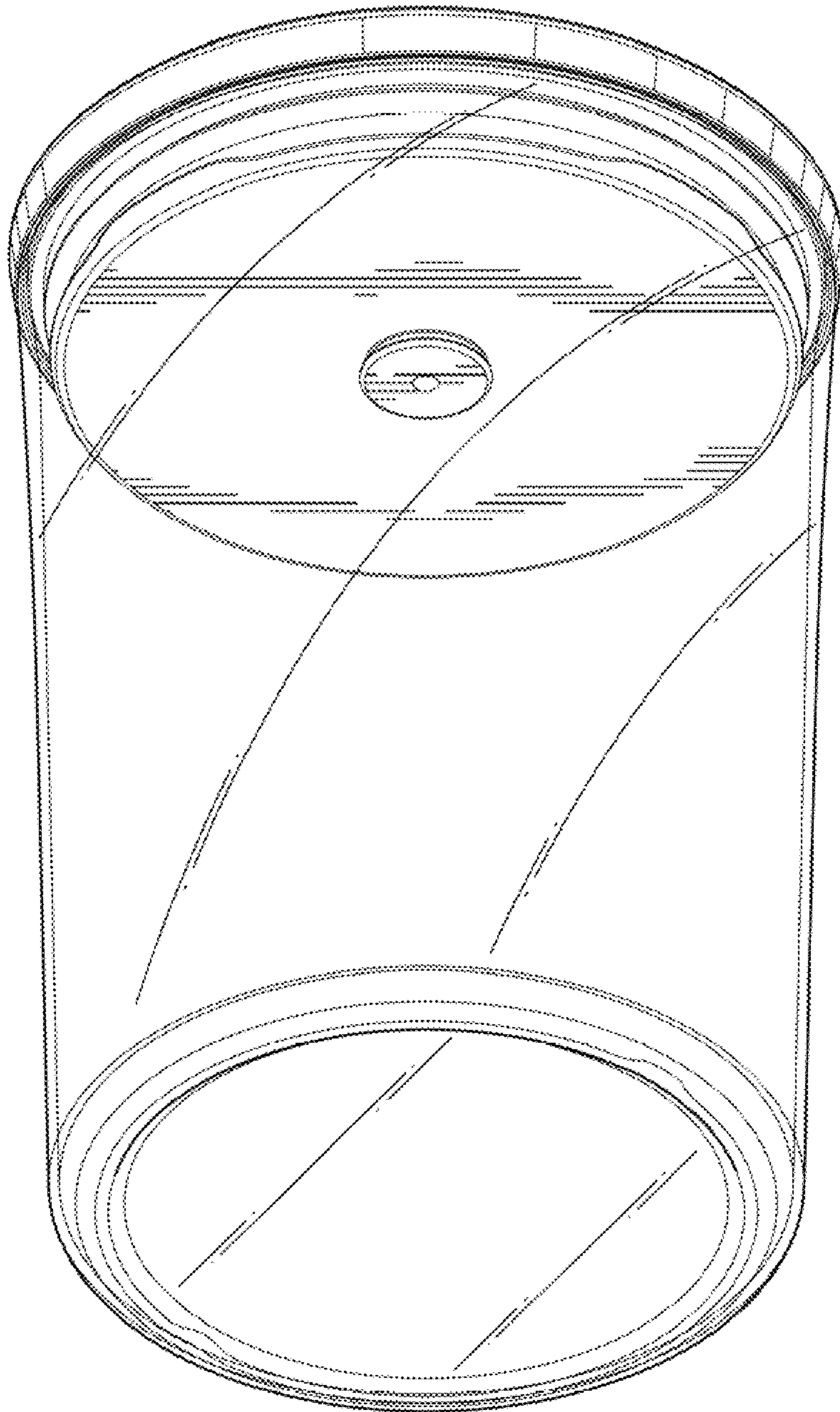


FIG. 3

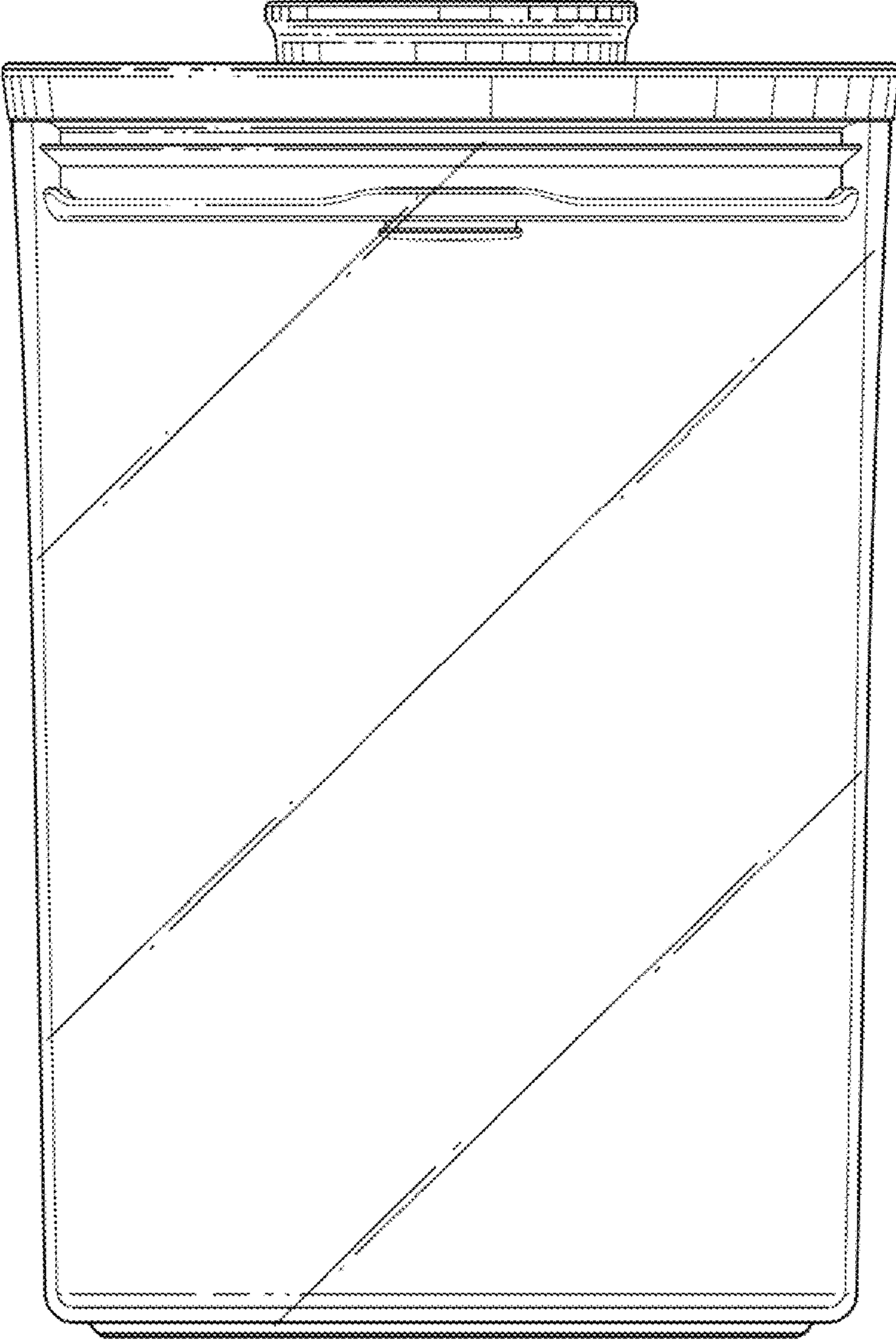


FIG.4

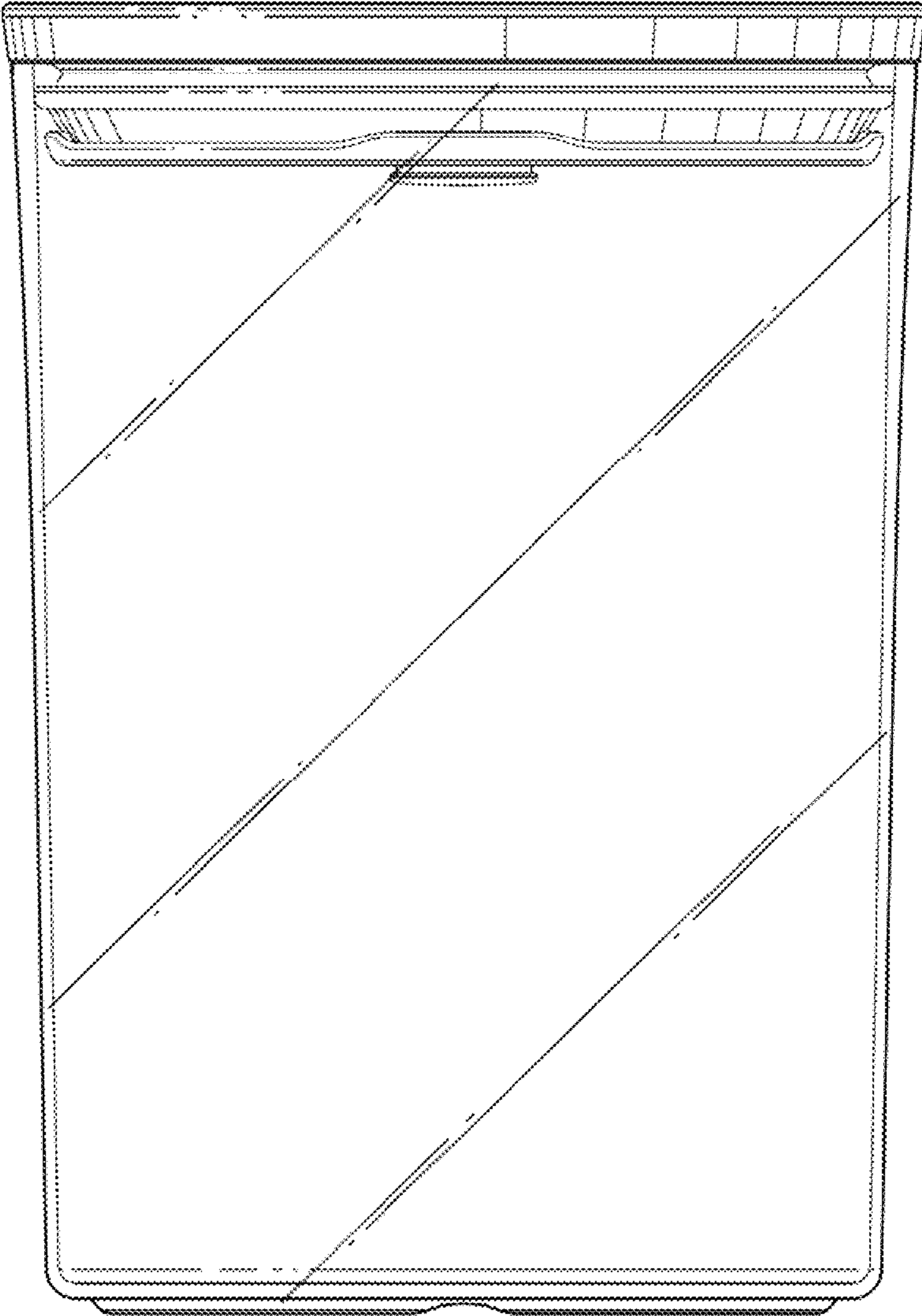


FIG. 5

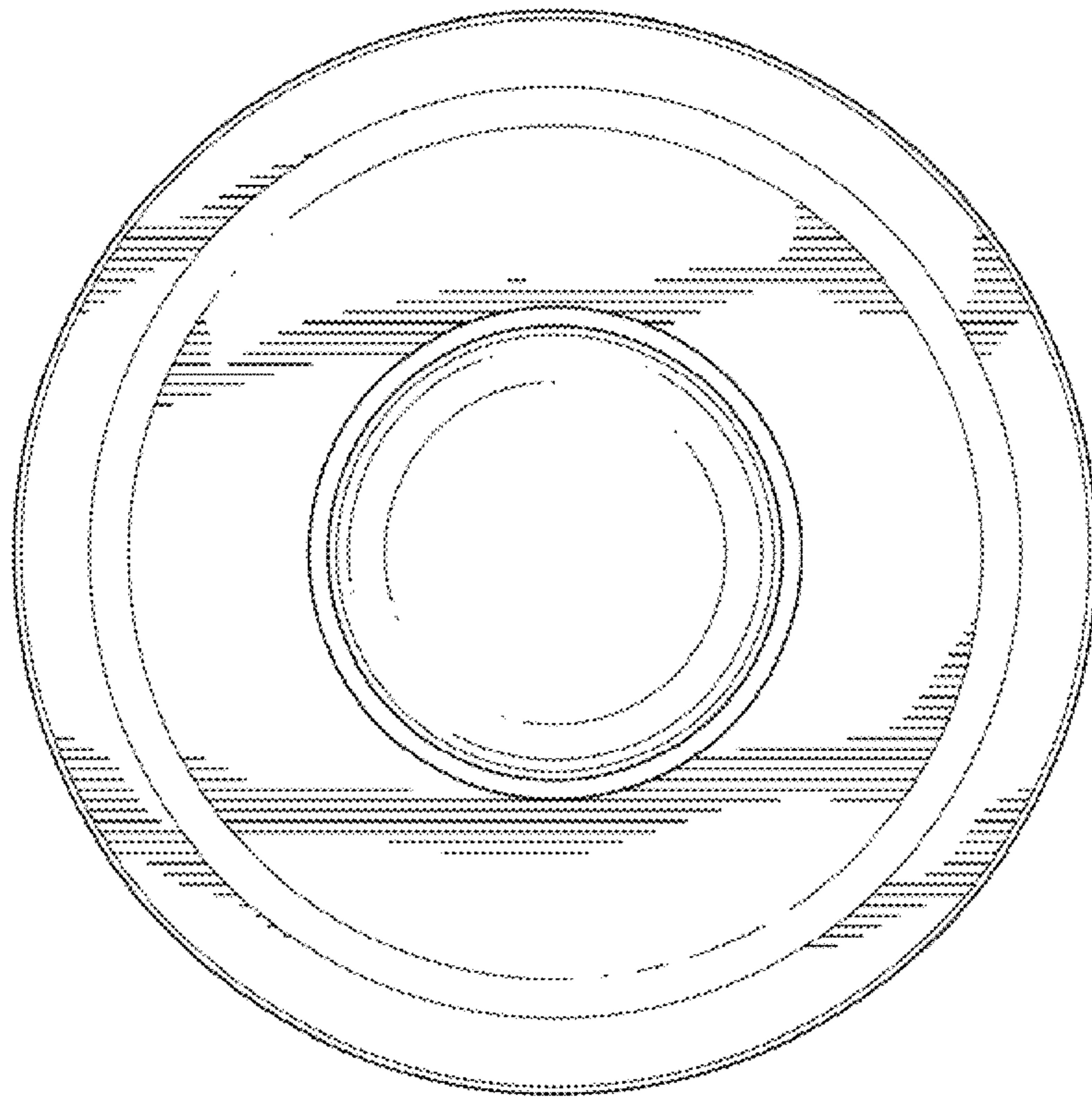


FIG. 6

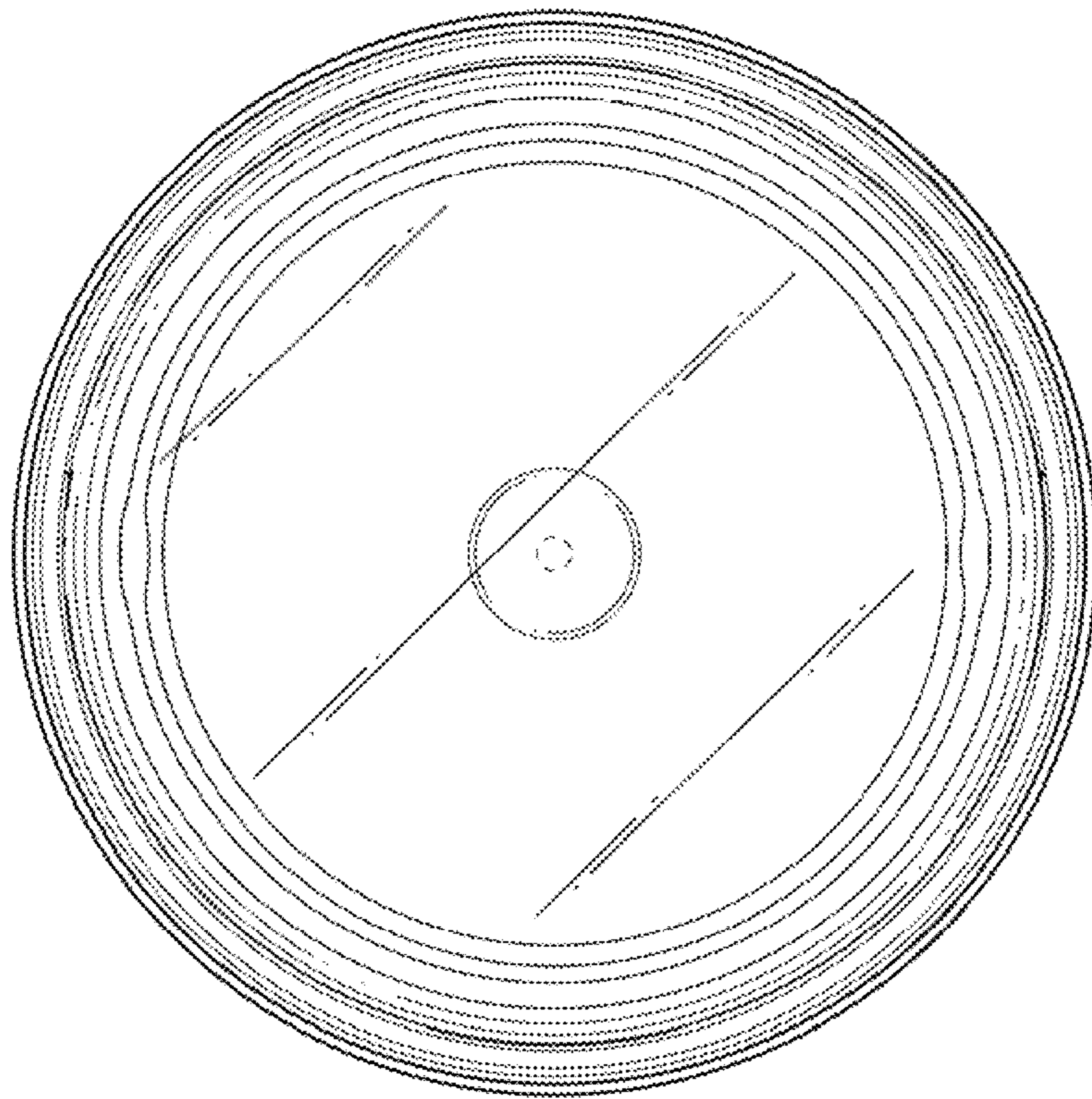


FIG. 7

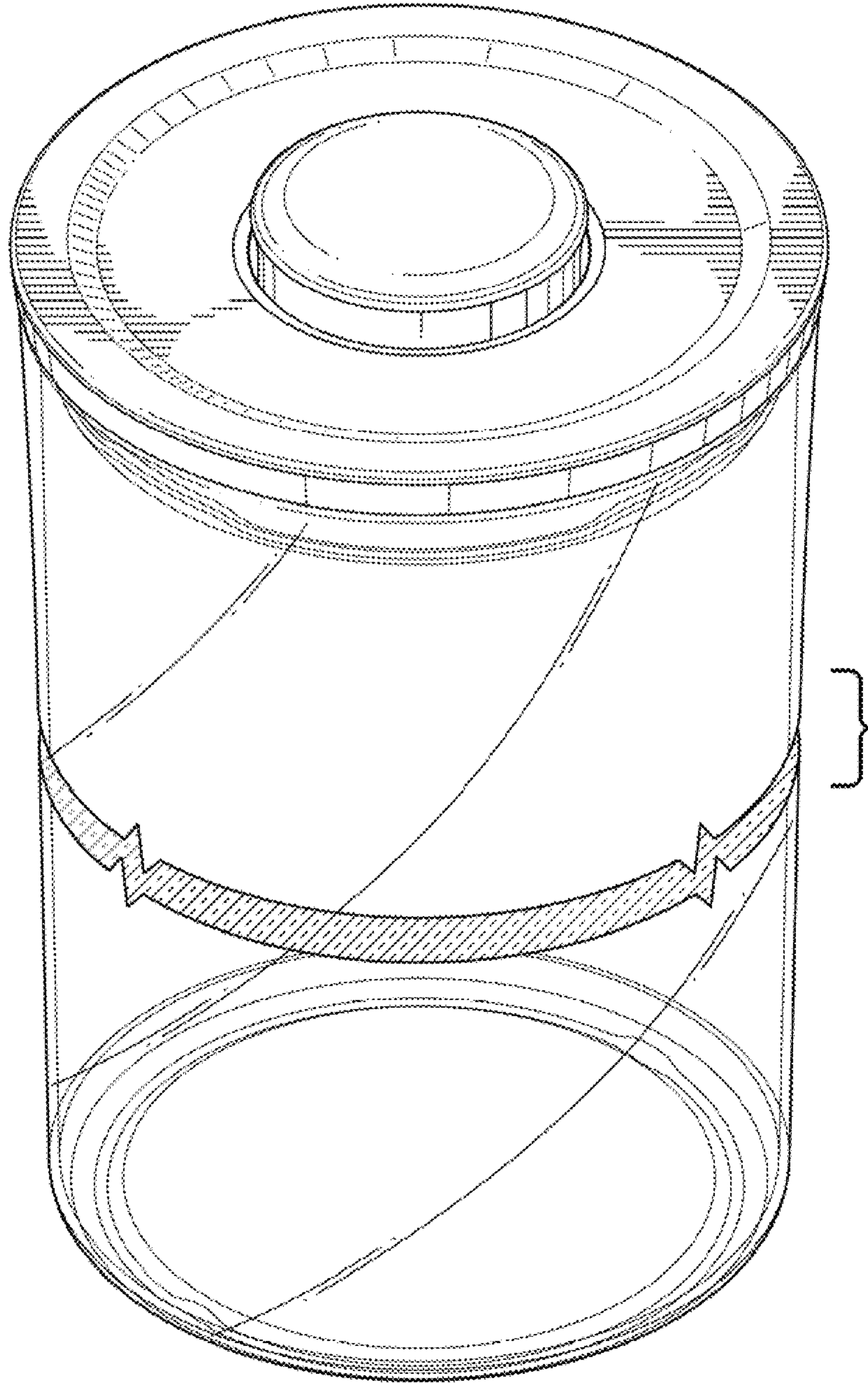


FIG. 8

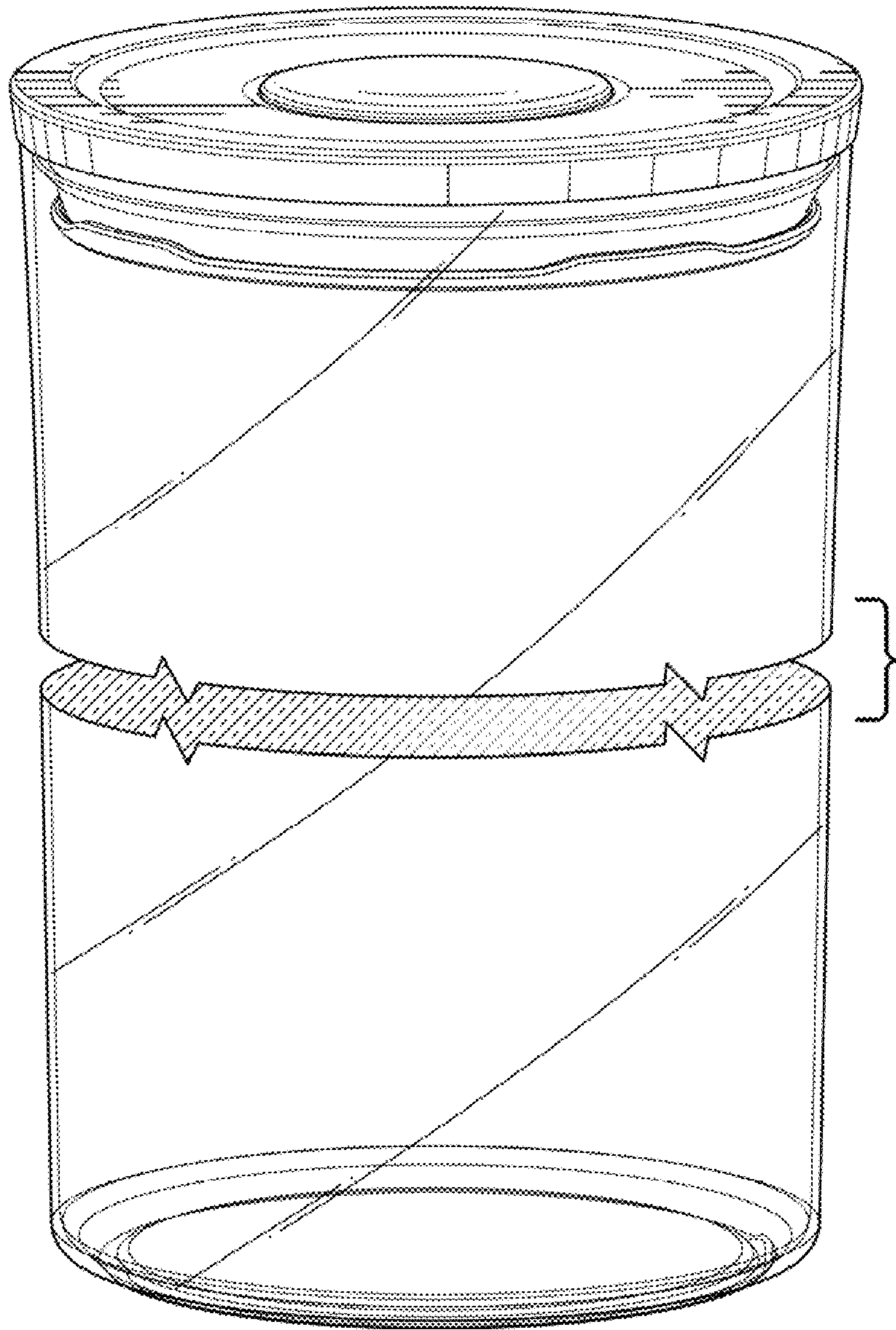


FIG. 9

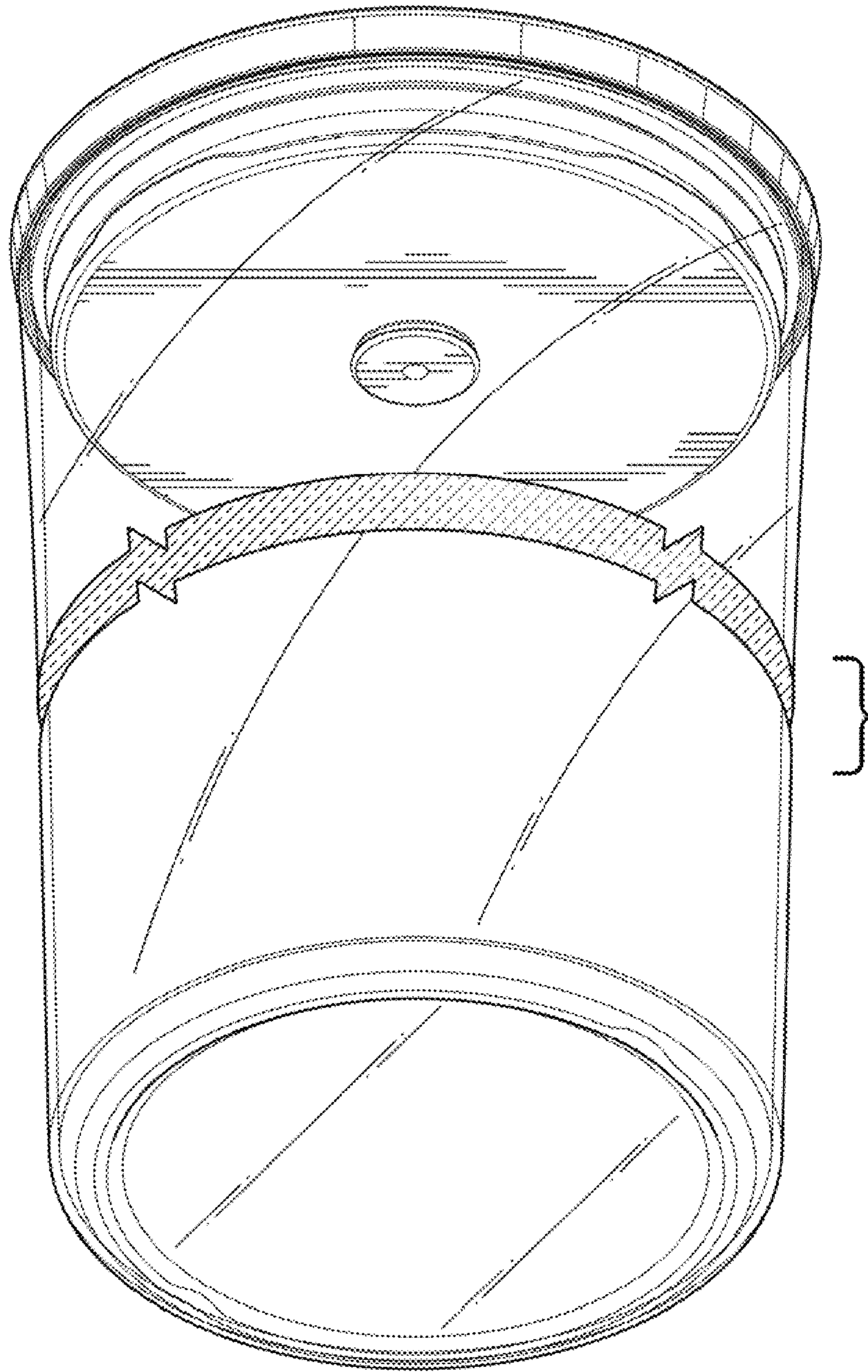


FIG. 10

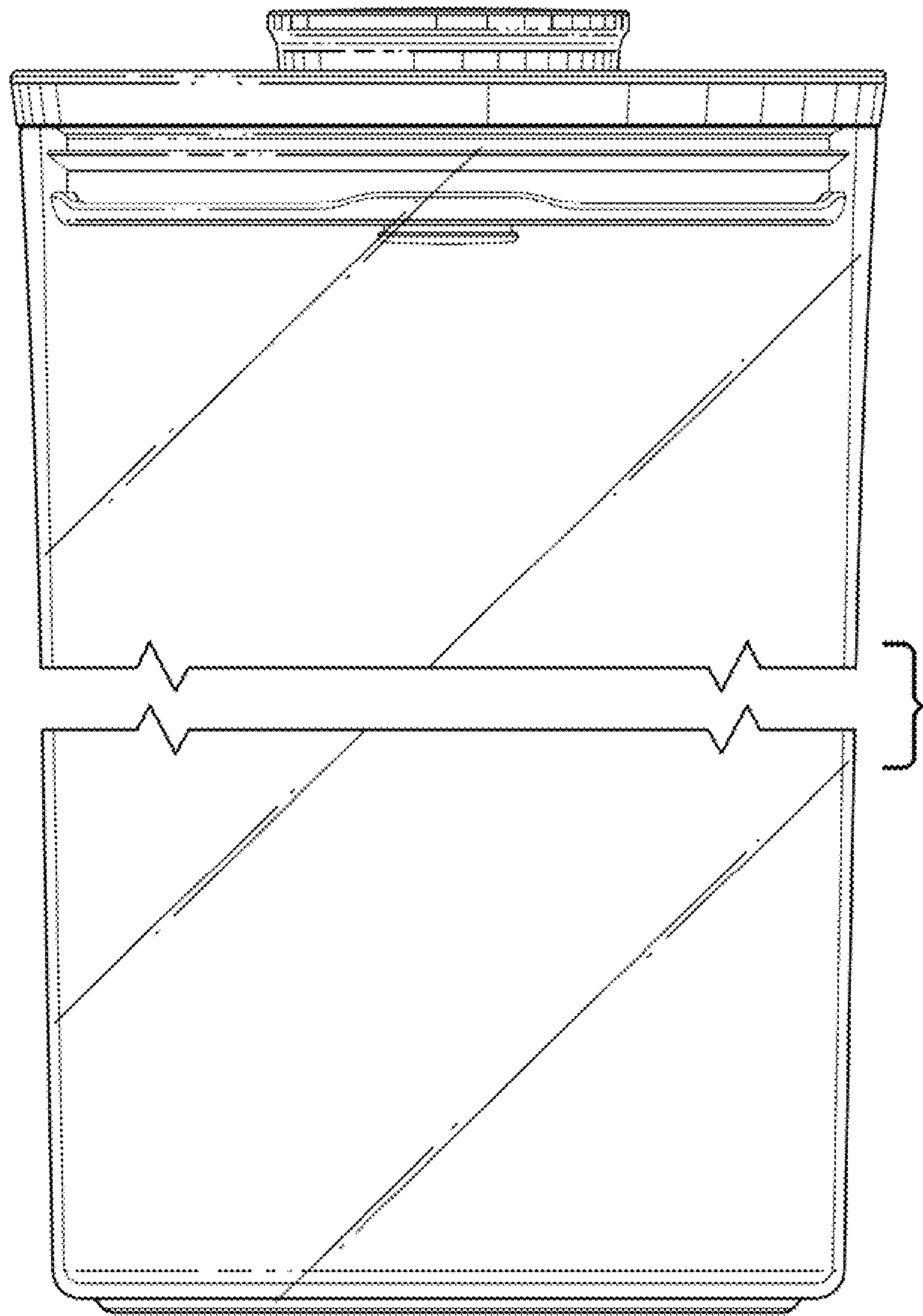


FIG. 11

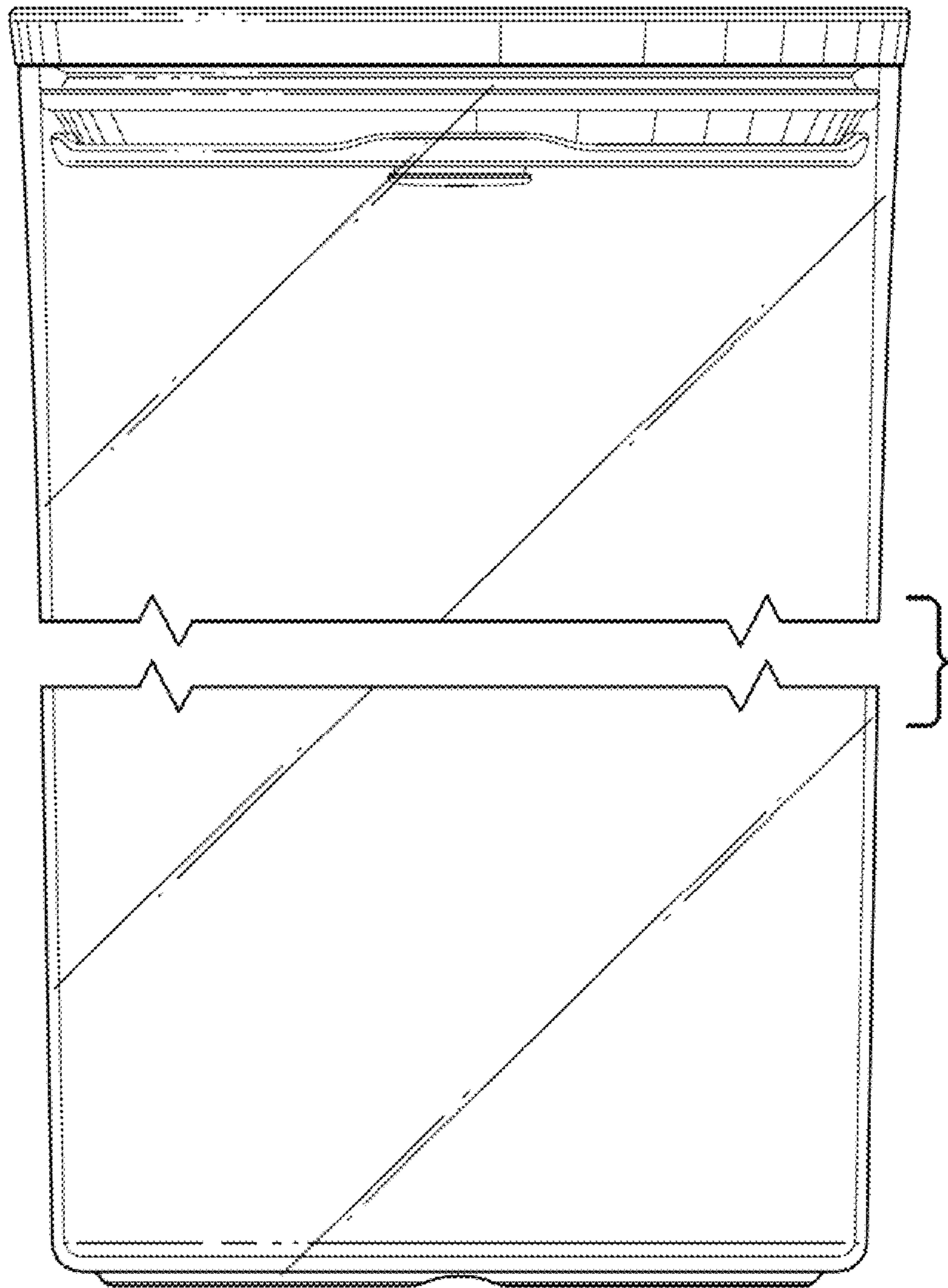


FIG. 12

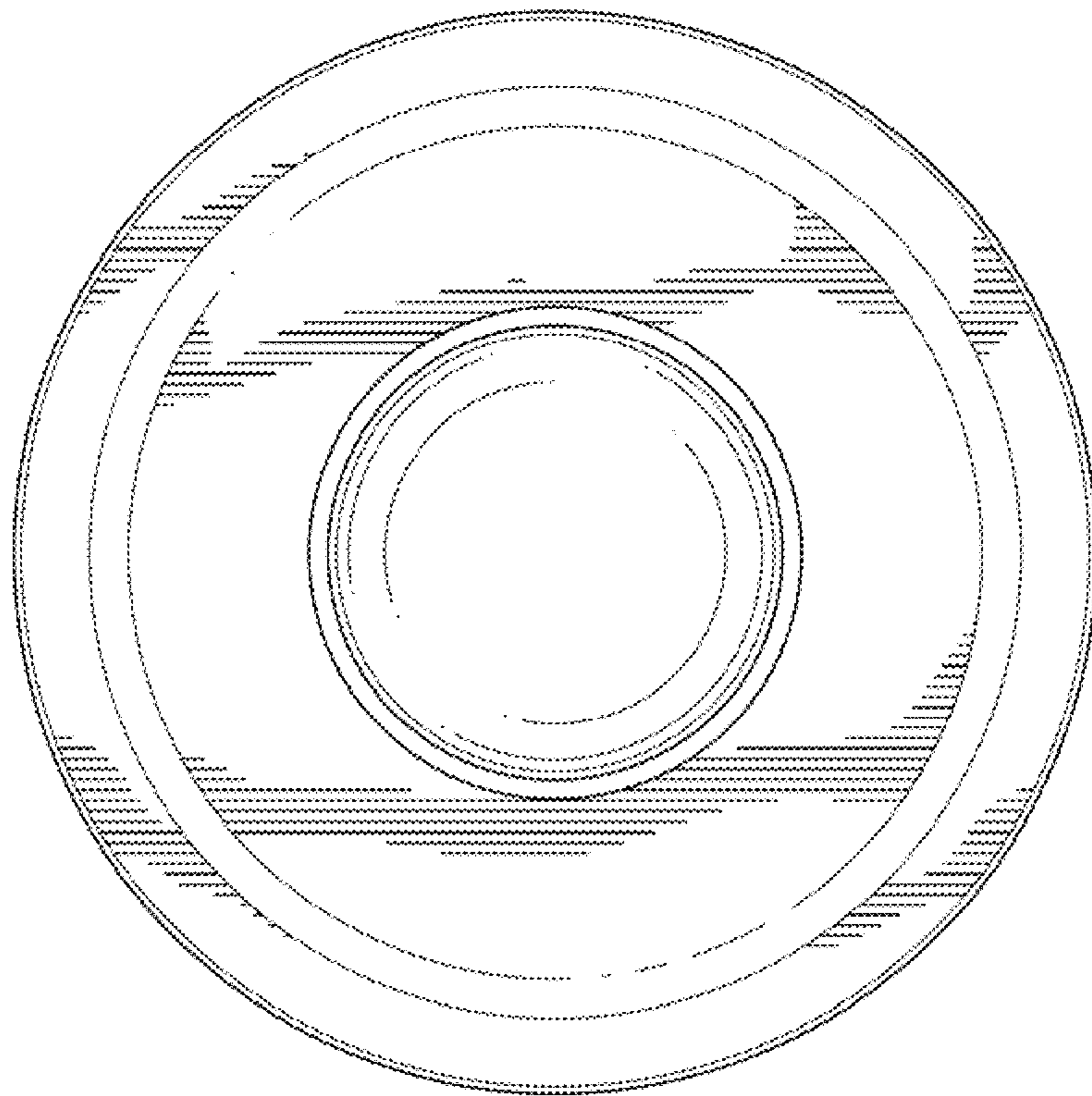


FIG. 13

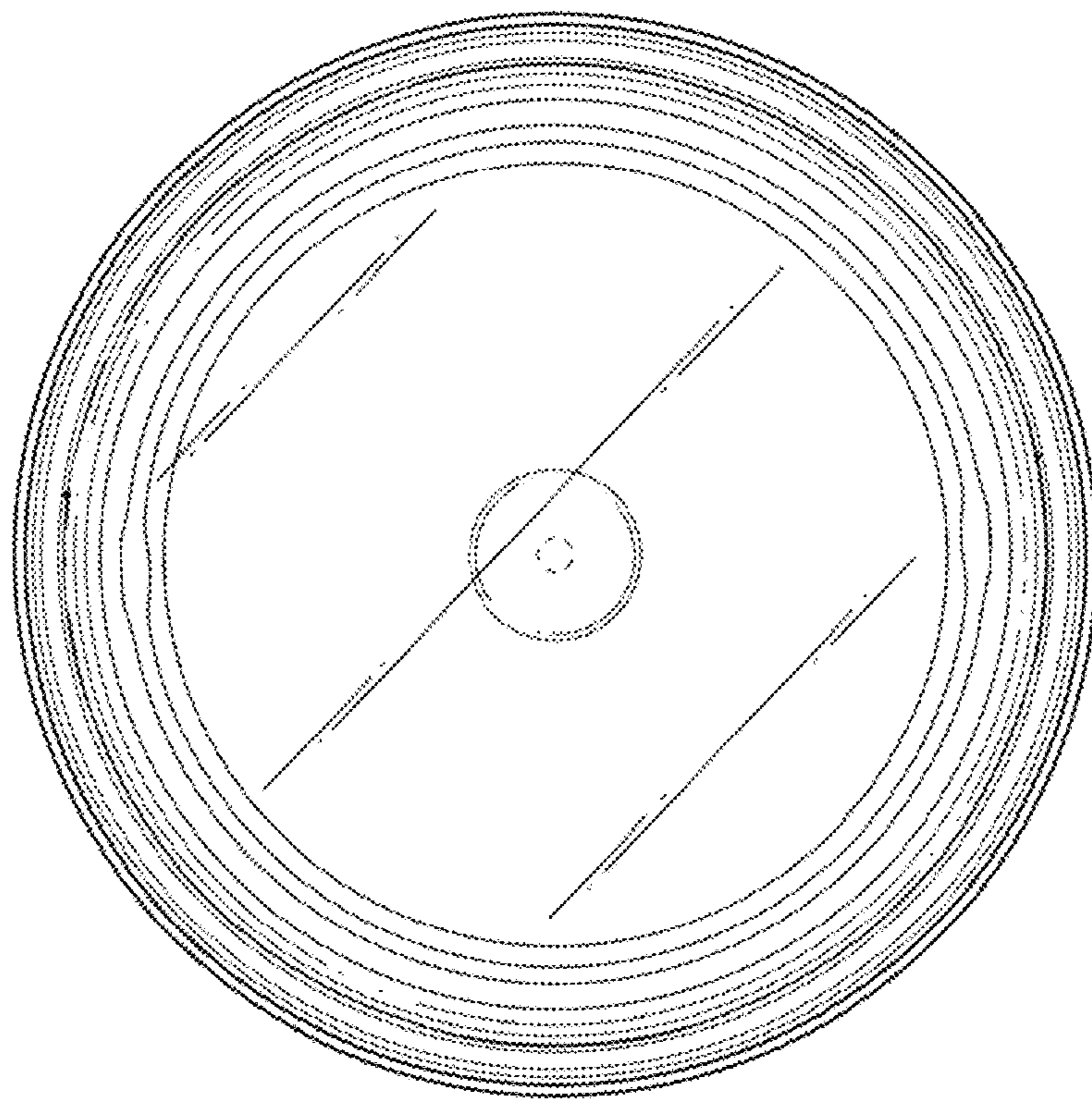


FIG. 14