



US00D975504S

(12) **United States Design Patent**
Mobley et al.

(10) **Patent No.:** **US D975,504 S**
(45) **Date of Patent:** **** Jan. 17, 2023**

- (54) **BEVERAGE INSULATING CONTAINER WITH TWO COVERS**
- (71) Applicant: **GRILL RESCUE LLC**, Palm City, FL (US)
- (72) Inventors: **Scott Jacob Mobley**, Palm City, FL (US); **Anthony Tranchida**, Palm City, FL (US)
- (73) Assignee: **Grill Rescue LLC**, Palm City, FL (US)
- (**) Term: **15 Years**
- (21) Appl. No.: **29/736,591**
- (22) Filed: **Jun. 1, 2020**
- (51) **LOC (14) Cl.** **07-01**
- (52) **U.S. Cl.**
USPC **D7/608**
- (58) **Field of Classification Search**
USPC D7/605-608, 509-511, 391, 392, 392.1, D7/396.2; D9/438, 444, 455
CPC B65D 81/38; B65D 81/3876; B65D 81/3879; B65D 81/3881; B65D 81/3886; B65D 81/3888; B65D 81/389; B65D 81/3893; B65D 81/3895; B65D 81/3869; B65D 81/3897; B65D 81/3883; B65D 39/00; B65D 39/0035; A47G 23/0241; A47G 23/0216; A47G 23/0258; A47G 23/0266; F25D 3/08; F25D 31/007; F25D 31/008; F25D 31/002; F25D 31/006; A45C 11/20
See application file for complete search history.

Primary Examiner — Terry A Wallace
(74) *Attorney, Agent, or Firm* — ilpatrick Townsend & Stockton LLP

(57) **CLAIM**

The ornamental design for a beverage insulating container with two covers, as shown and described.

DESCRIPTION

FIG. 1 is an exploded perspective view of the beverage insulating container with two covers showing our new design.

FIG. 2 is a perspective view thereof with the two covers removed.

FIG. 3 is a perspective view thereof with one of the covers.

FIG. 4 is a perspective view of FIG. 3.

FIG. 5 is an exploded perspective view of FIG. 3.

FIG. 6 is a perspective view of FIG. 3.

FIG. 7 is a perspective view of FIG. 3.

FIG. 8 is a perspective view of the second cover shown in FIG. 1.

FIG. 9 is a perspective view of FIG. 8.

FIG. 10 is a top plan view of FIG. 8.

FIG. 11 is an exploded perspective view thereof with the cover of FIG. 8.

FIG. 12 is a perspective view of FIG. 11; and, FIG. 13 is a perspective view of FIG. 11.

The broken lines showing a bottle and can are for illustrative purposes only and form no part of the claimed design. The portions of the beverage insulating container with two covers shown in broken lines form no part of the claimed design. The container and two covers are shown separately for clarity of illustration.

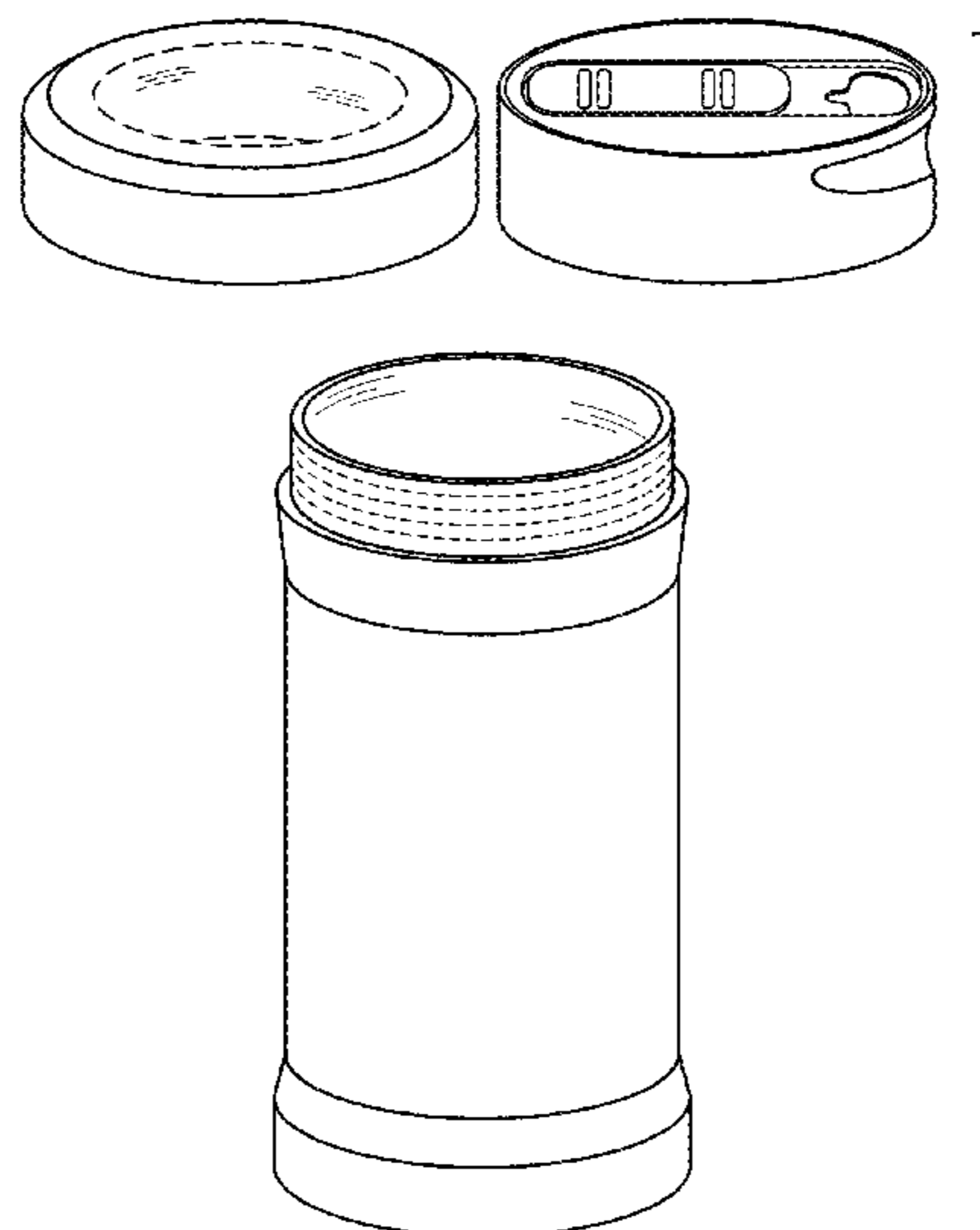
(56) **References Cited**

U.S. PATENT DOCUMENTS

- 4,344,303 A * 8/1982 Kelly, Jr. B29C 44/1242 383/110
- 4,989,415 A * 2/1991 Lombness F25D 31/007 62/372
- 5,022,549 A * 6/1991 Beaver B60N 3/102 248/146
- 5,361,604 A * 11/1994 Pier F25D 31/007 62/530

(Continued)

1 Claim, 13 Drawing Sheets



(56)

References Cited

U.S. PATENT DOCUMENTS

5,858,263 A * 1/1999 Geary B65D 81/383
249/126
6,604,649 B1 * 8/2003 Campi B65D 81/3886
220/592.17
D509,707 S * 9/2005 Tien D7/510
D558,523 S * 1/2008 Bhavnani D7/510
D585,245 S * 1/2009 Brouillette D7/624.2
D589,747 S * 4/2009 Wong D7/396.1
8,672,174 B1 * 3/2014 McMullin A47G 19/2266
222/533
D713,686 S * 9/2014 Eyal D7/509
D808,733 S * 1/2018 Spivey D7/624.2
D820,045 S * 6/2018 Harrington, III D7/511
D829,058 S * 9/2018 Seiders D7/624.2
D830,787 S * 10/2018 Petrillo D7/624.2
D867,057 S * 11/2019 Spivey D7/392.1
D875,478 S * 2/2020 Bingham A47G 23/02
D9/444
2014/0209621 A1 * 7/2014 Irish B65D 21/083
220/739
2015/0096324 A1 * 4/2015 Marchiori F25D 3/08
62/457.4
2017/0273484 A1 * 9/2017 Spivey A47G 19/2272
2018/0289186 A1 * 10/2018 Heiberger B65D 47/10
2018/0310766 A1 * 11/2018 Lapsker A47J 41/02
2018/0332987 A1 * 11/2018 Lin B65D 43/16
2018/0335247 A1 * 11/2018 Huisman F25D 23/06
2019/0382187 A1 * 12/2019 Callinan B65D 81/3886
2020/0339327 A1 * 10/2020 Jacob A47G 19/22

* cited by examiner

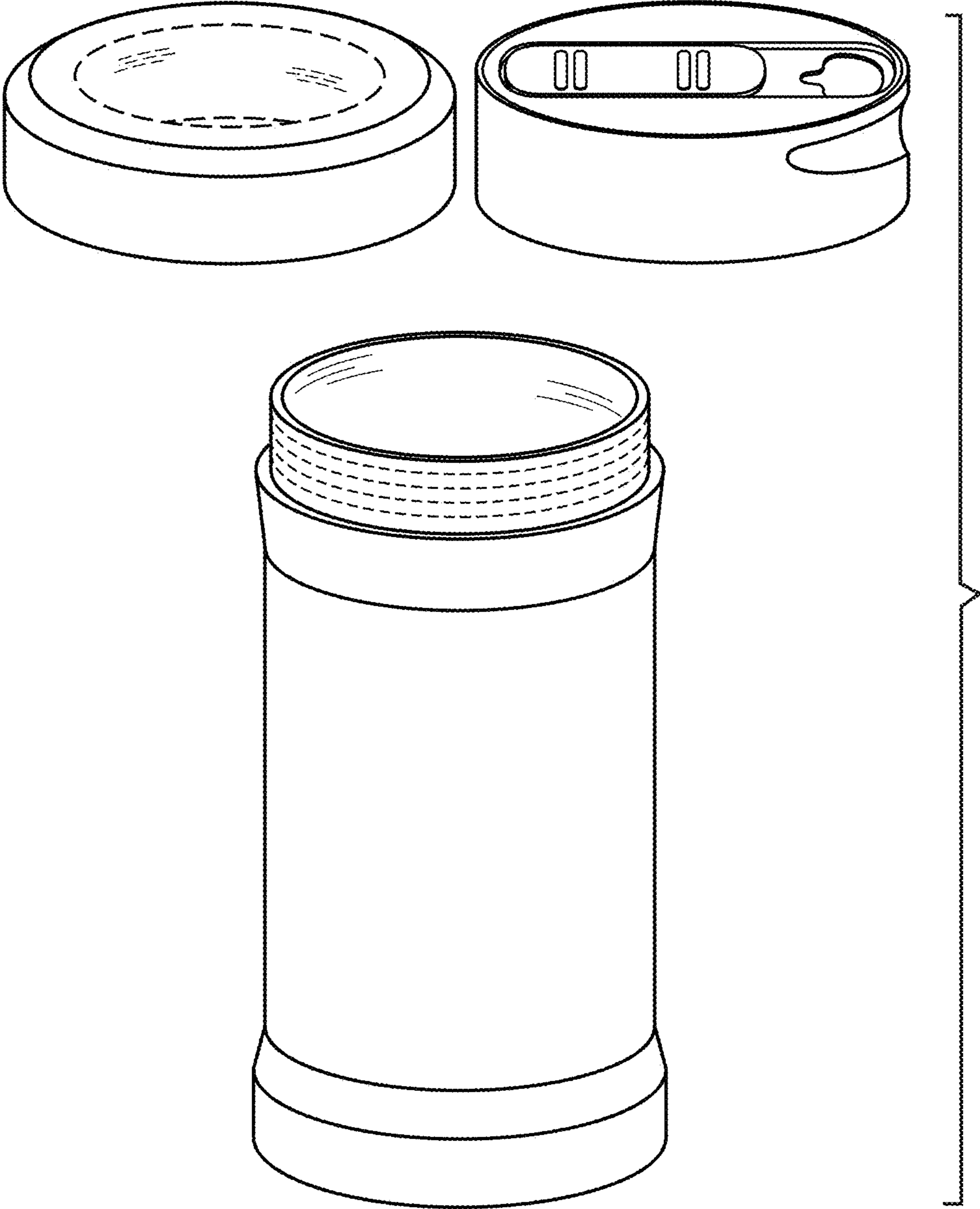


FIG. 1

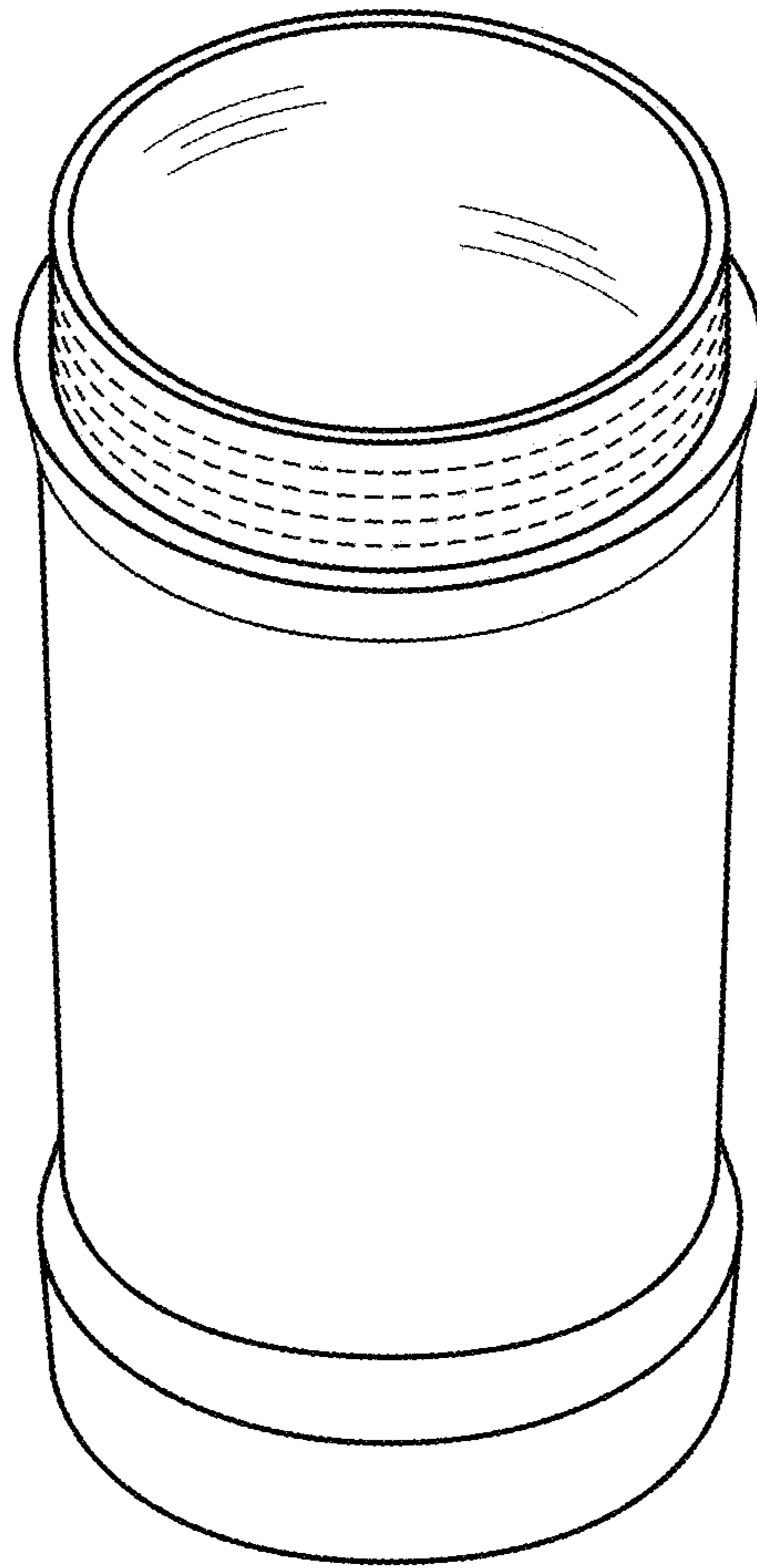


FIG. 2

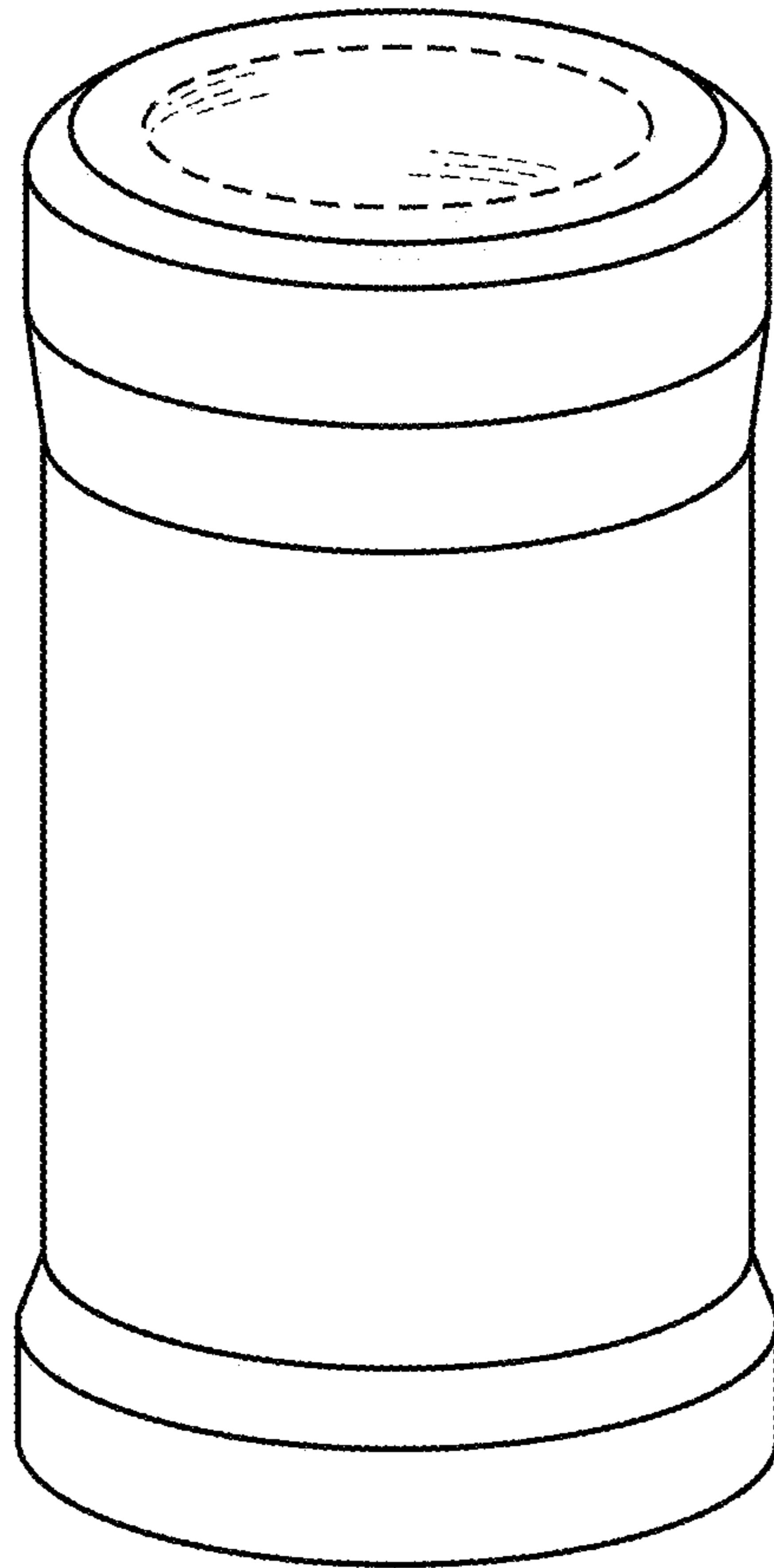


FIG. 3

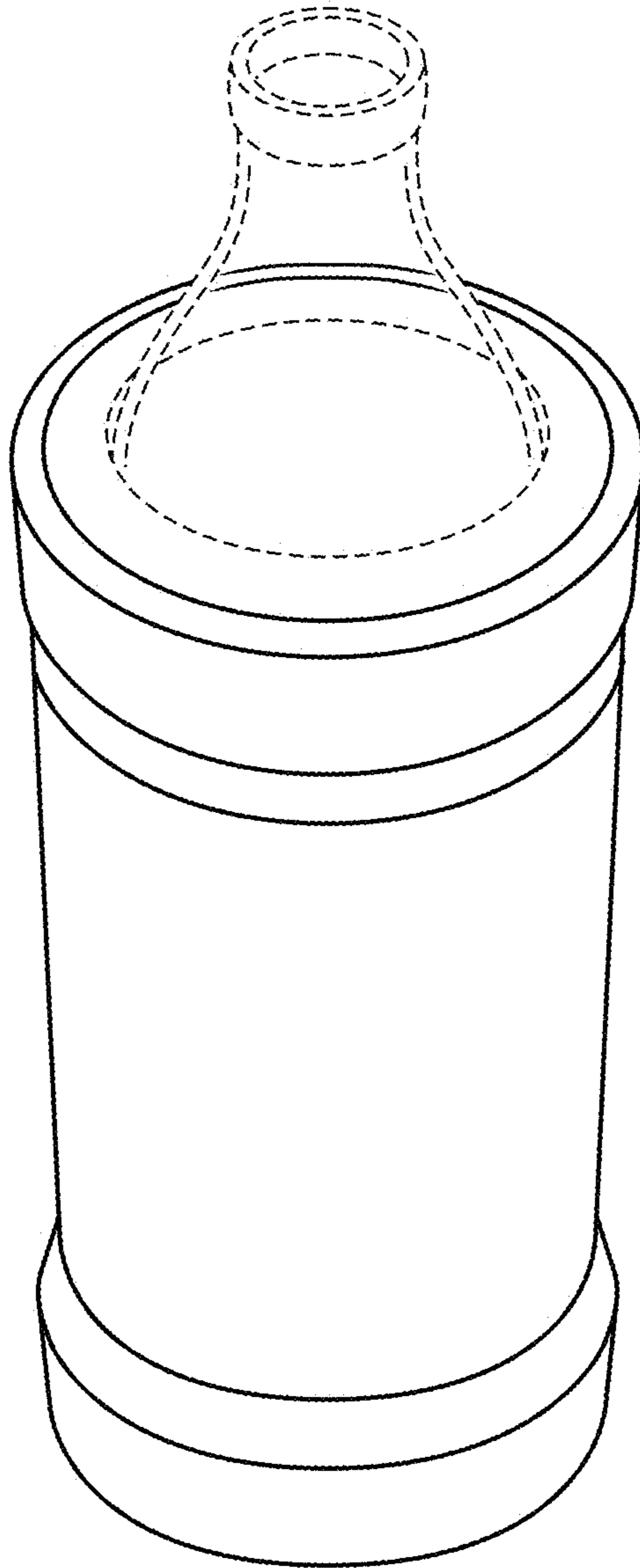


FIG. 4

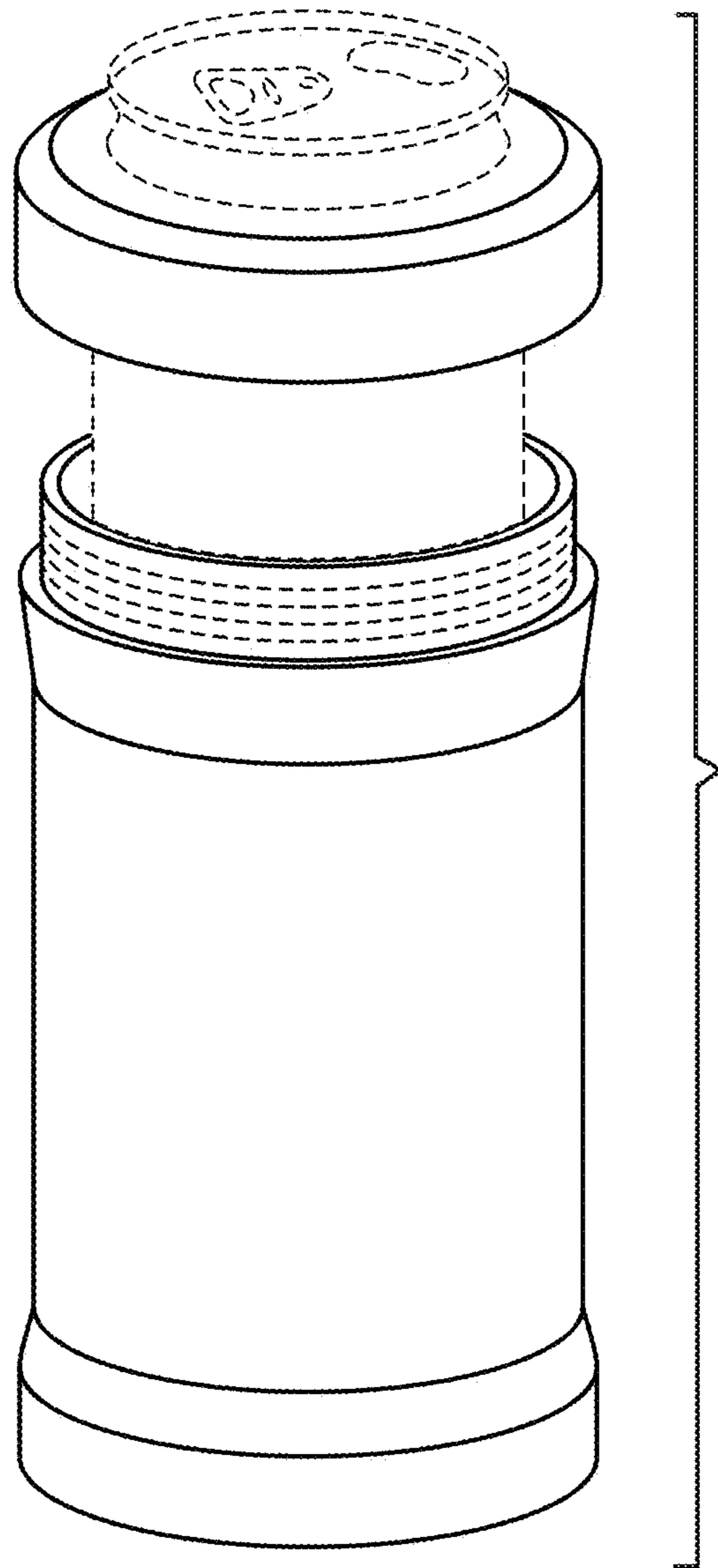


FIG. 5

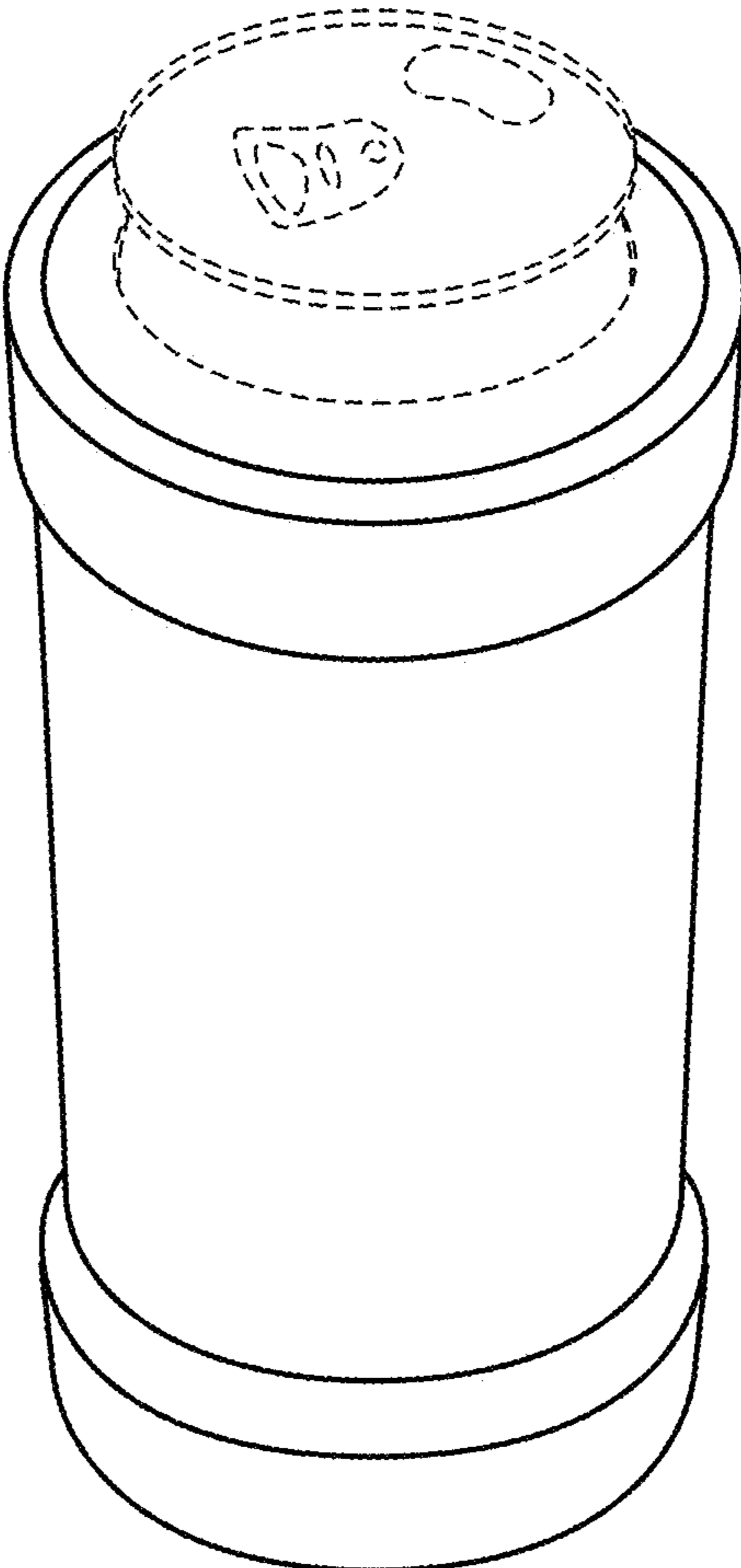


FIG. 6

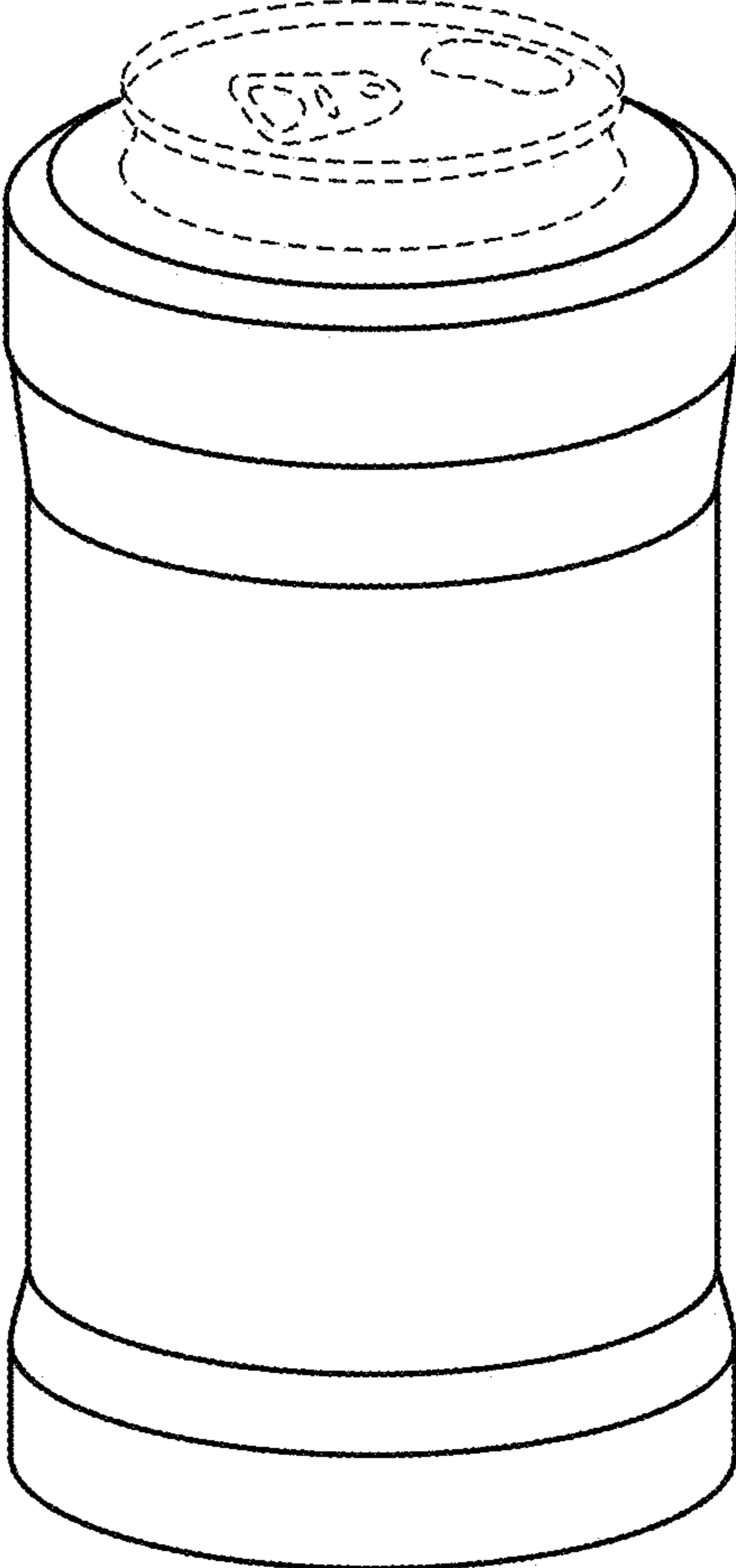


FIG. 7

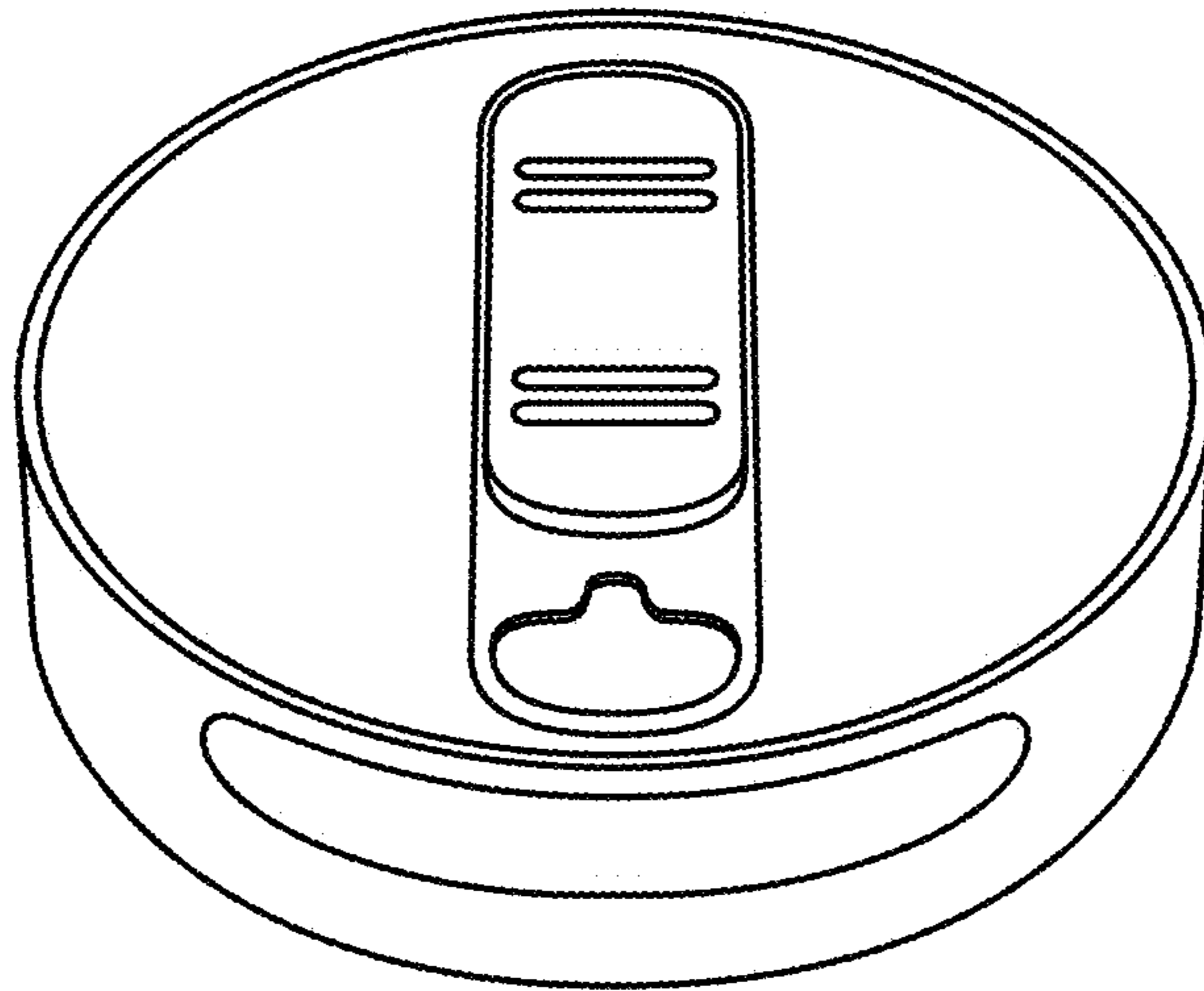


FIG. 8

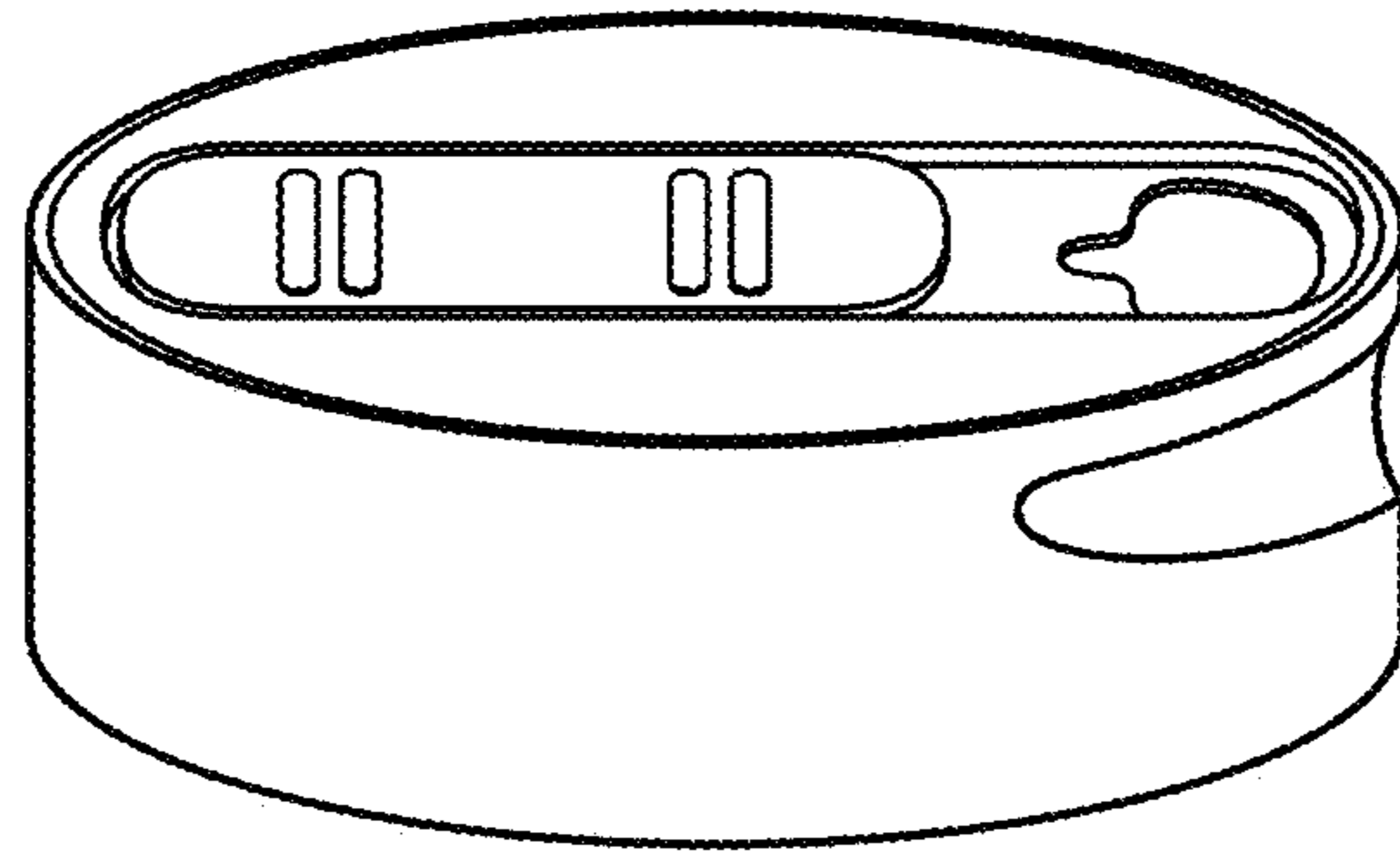


FIG. 9

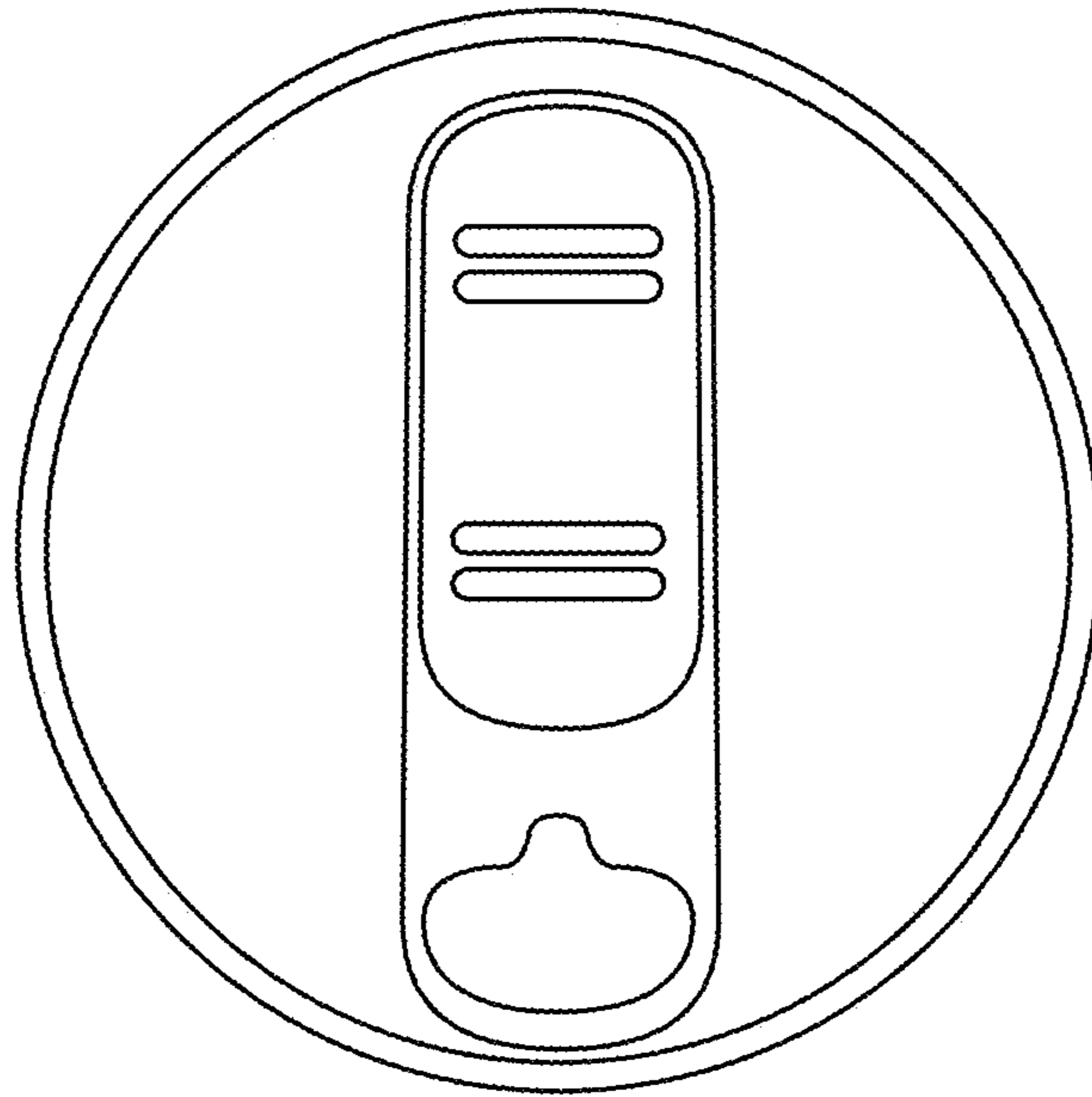


FIG. 10

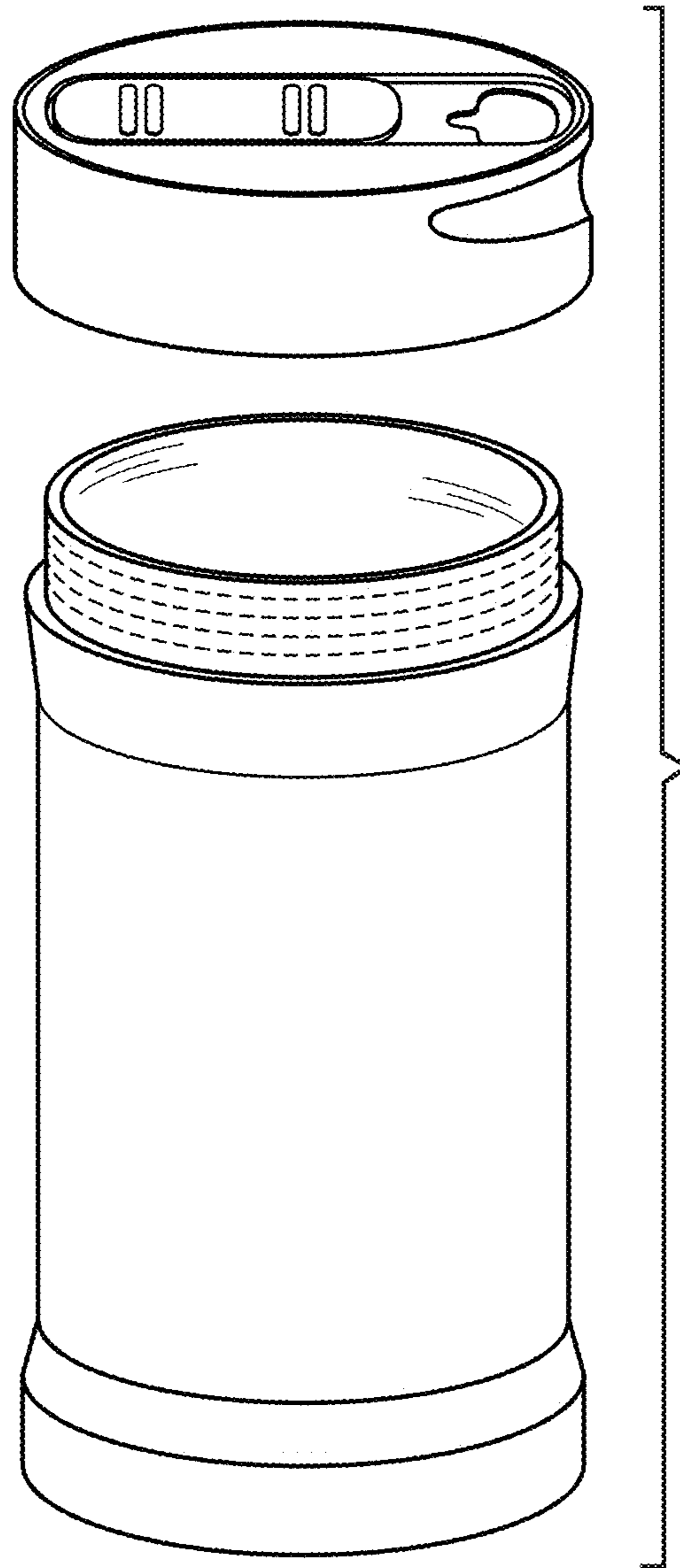


FIG. 11

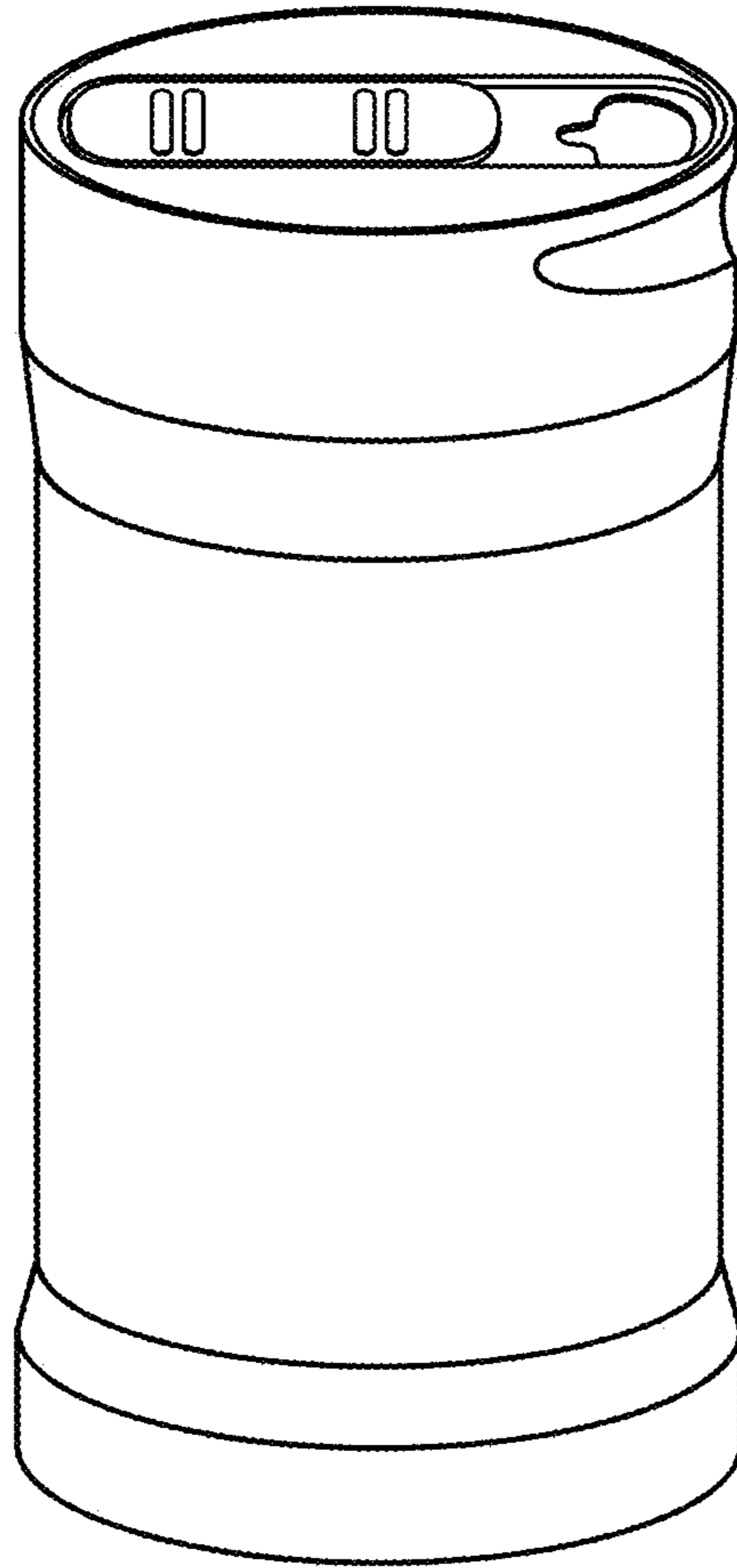


FIG. 12

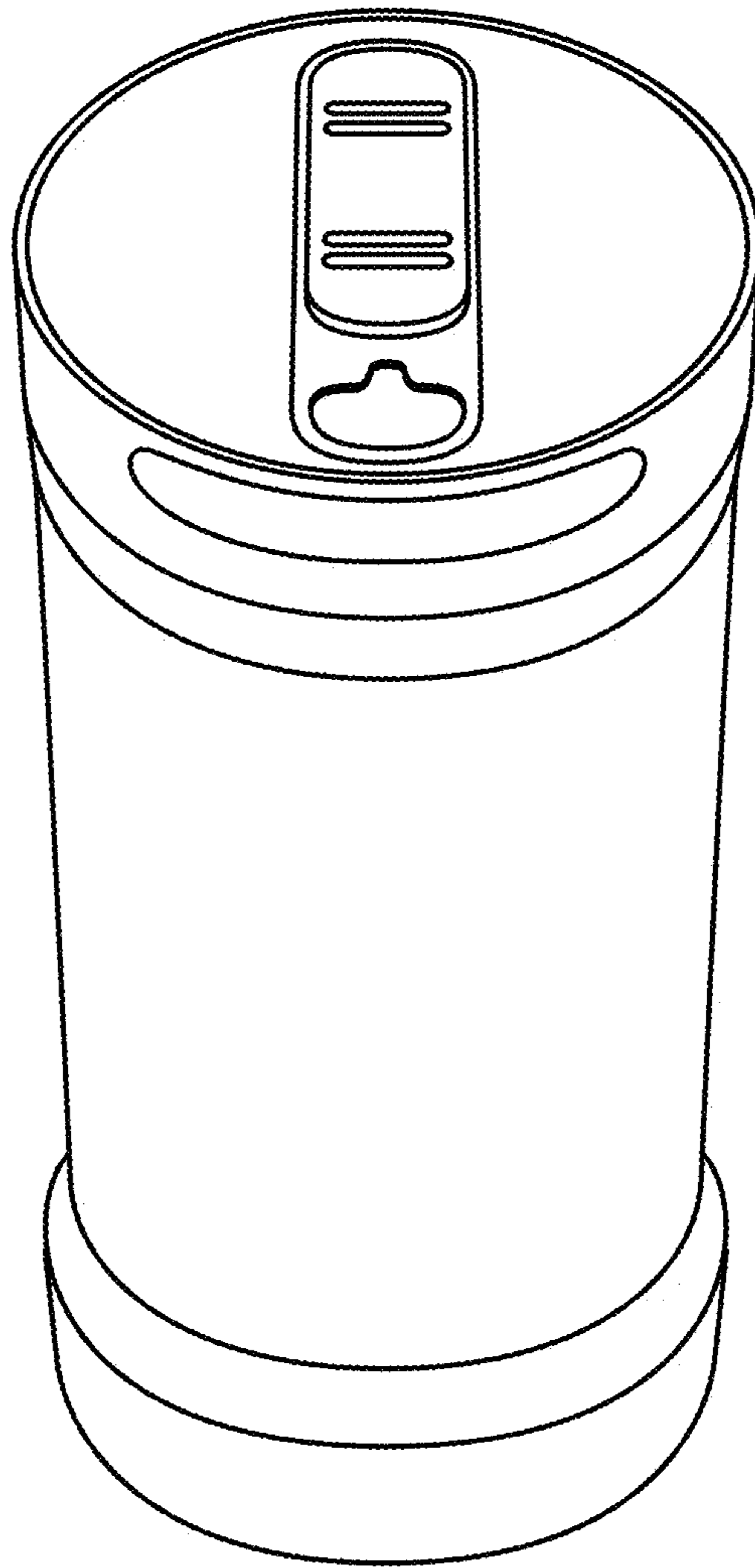


FIG. 13