

US00D975503S

(12) **United States Design Patent** (10) **Patent No.:** **US D975,503 S**
Mobley et al. (45) **Date of Patent:** **** Jan. 17, 2023**

(54) **BEVERAGE INSULATING CONTAINER**

(71) Applicant: **GRILL RESCUE LLC**, Palm City, FL (US)

(72) Inventors: **Scott Jacob Mobley**, Palm City, FL (US); **Anthony Tranchida**, Palm City, FL (US)

(73) Assignee: **Grill Rescue LLC**, Palm City, FL (US)

(**) Term: **15 Years**

(21) Appl. No.: **29/735,769**

(22) Filed: **May 23, 2020**

(51) **LOC (14) Cl.** **07-01**

(52) **U.S. Cl.**
USPC **D7/608**

(58) **Field of Classification Search**
USPC D7/605–608, 509–511, 391, 392, 392.1, D7/396.2; D9/438, 444, 455
CPC B65D 81/38; B65D 81/3876; B65D 81/3879; B65D 81/3881; B65D 81/3886; B65D 81/3888; B65D 81/389; B65D 81/3893; B65D 81/3895; B65D 81/3869; B65D 81/3897; B65D 81/3883; B65D 39/00; B65D 39/0035; A47G 23/0241; A47G 23/0216; A47G 23/0258; A47G 23/0266; F25D 3/08; F25D 31/007; F25D 31/008; F25D 31/002; F25D 31/006; A45C 11/20

See application file for complete search history.

D589,747 S * 4/2009 Wong D7/396.1
8,672,174 B1 * 3/2014 McMullin A47G 19/2266
222/533
D808,733 S * 1/2018 Spivey D7/624.2
D820,045 S * 6/2018 Harrington, III D7/511
D864,672 S * 10/2019 Callinan D7/510
D867,057 S * 11/2019 Spivey D7/392.1
D927,934 S * 8/2021 Jianyi D7/624.2
2014/0209621 A1 * 7/2014 Irish B65D 21/083
220/739
2017/0273484 A1 * 9/2017 Spivey A47G 19/2272
2018/0289186 A1 * 10/2018 Heiberger B65D 47/10
2018/0310766 A1 * 11/2018 Lapsker A47J 41/02
2018/0332987 A1 * 11/2018 Lin B65D 43/16
2018/0335247 A1 * 11/2018 Huisman F25D 23/06
2019/0382187 A1 * 12/2019 Callinan B65D 81/3886
2020/0339327 A1 * 10/2020 Jacob A47G 19/22

* cited by examiner

Primary Examiner — Terry A Wallace

(74) Attorney, Agent, or Firm — Kilpatrick Townsend & Stockton LLP

(57) **CLAIM**

The ornamental design for a beverage insulating container, as shown and described.

DESCRIPTION

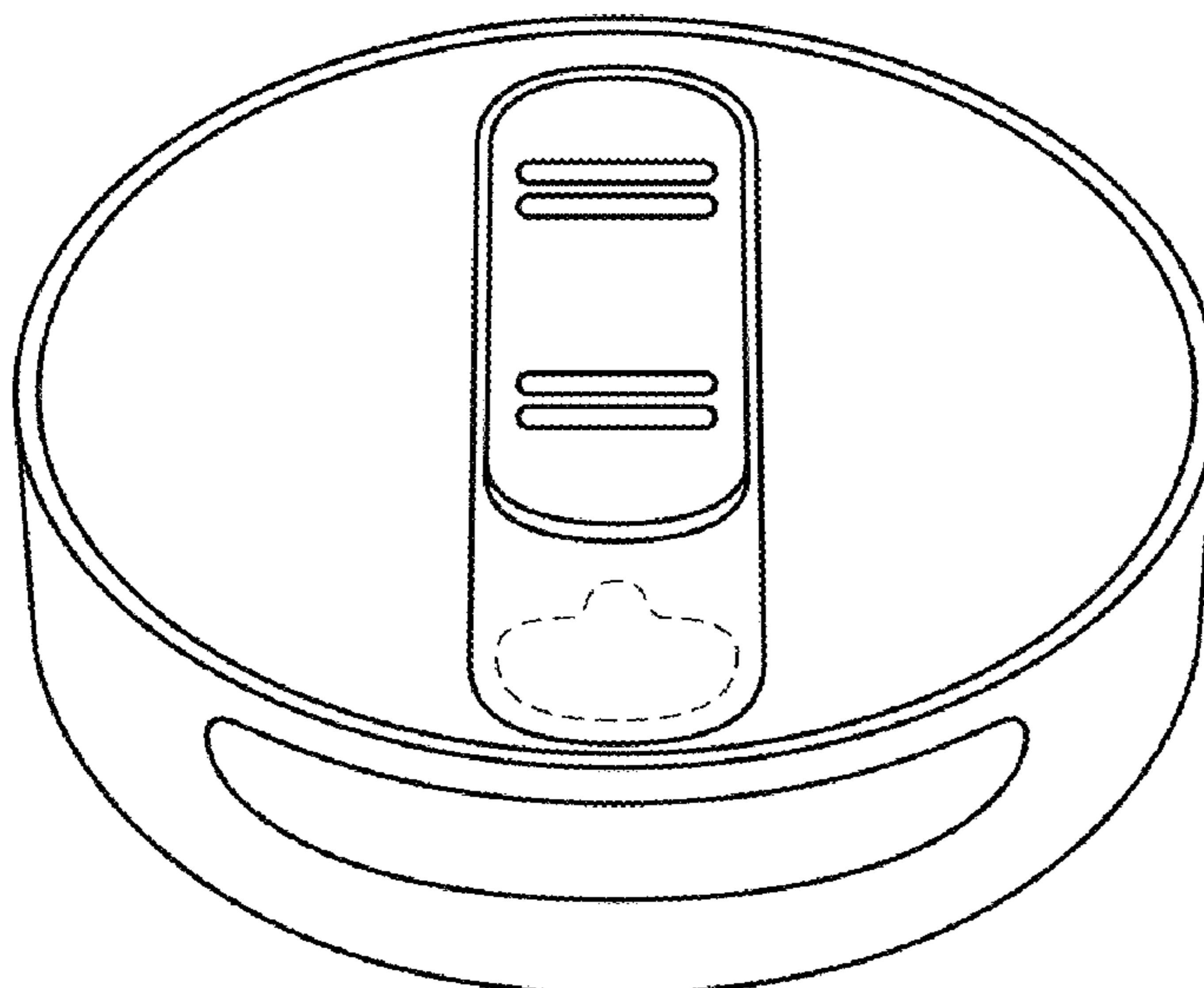
FIG. 1 is a perspective view of a cover for a can and bottle insulator showing my new design;
 FIG. 2 is a perspective view of the cover for a can and bottle insulator shown in FIG. 1;
 FIG. 3 is a top view of the cover for a can and bottle insulator shown in FIG. 1;
 FIG. 4 is a perspective view of the cover for a can and bottle insulator shown in FIG. 1; and,
 FIG. 5 is a perspective view of the cover for a can and bottle insulator shown in FIG. 1.
 The broken lines representing the can and bottle insulator and a portion of the cover are for illustrative purposes only and form no part of the claimed design.

1 Claim, 5 Drawing Sheets

(56) **References Cited**

U.S. PATENT DOCUMENTS

5,361,604 A * 11/1994 Pier F25D 31/007
62/530
6,604,649 B1 * 8/2003 Campi B65D 81/3886
220/592.17
D509,707 S * 9/2005 Tien D7/510



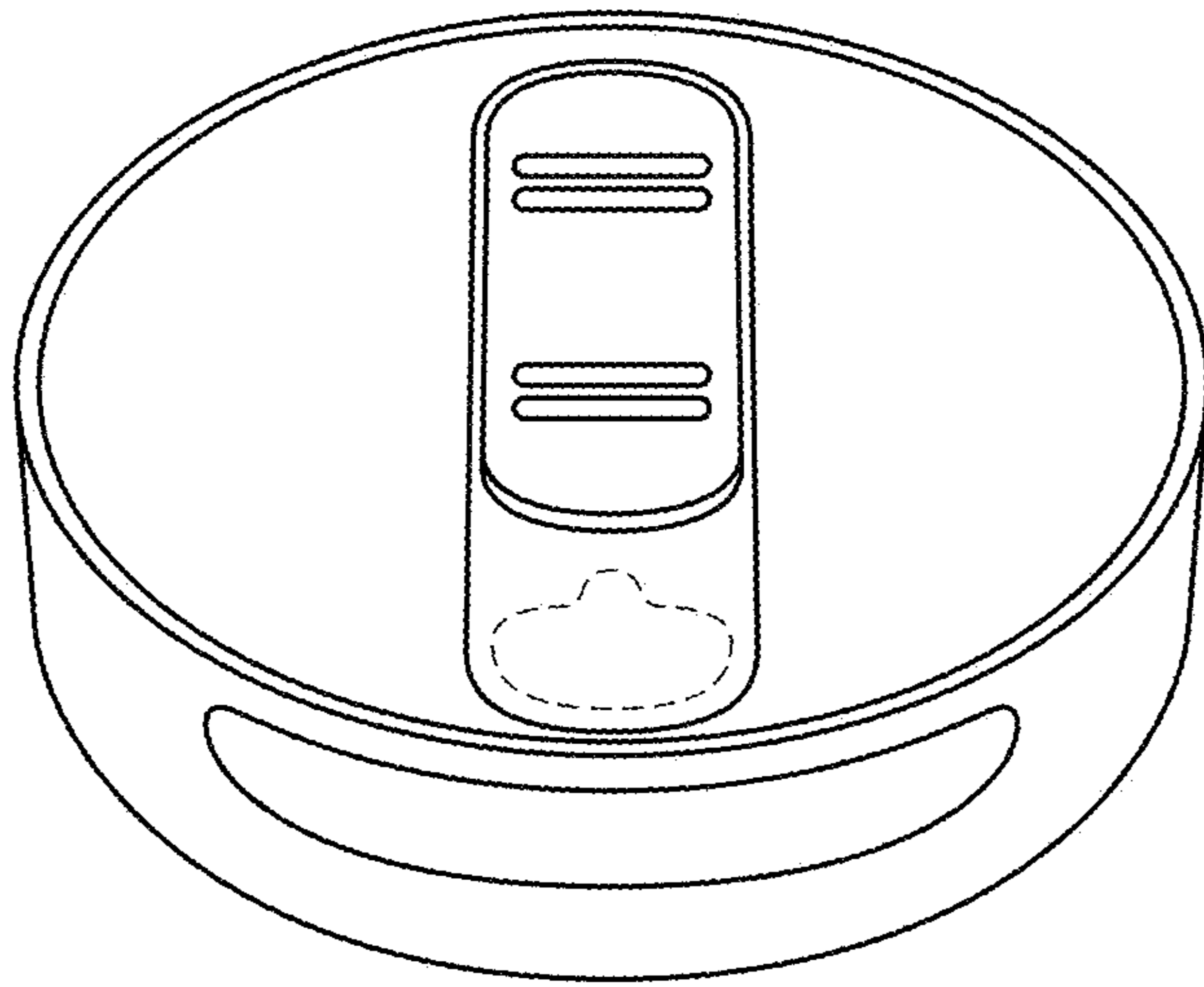


FIG. 1

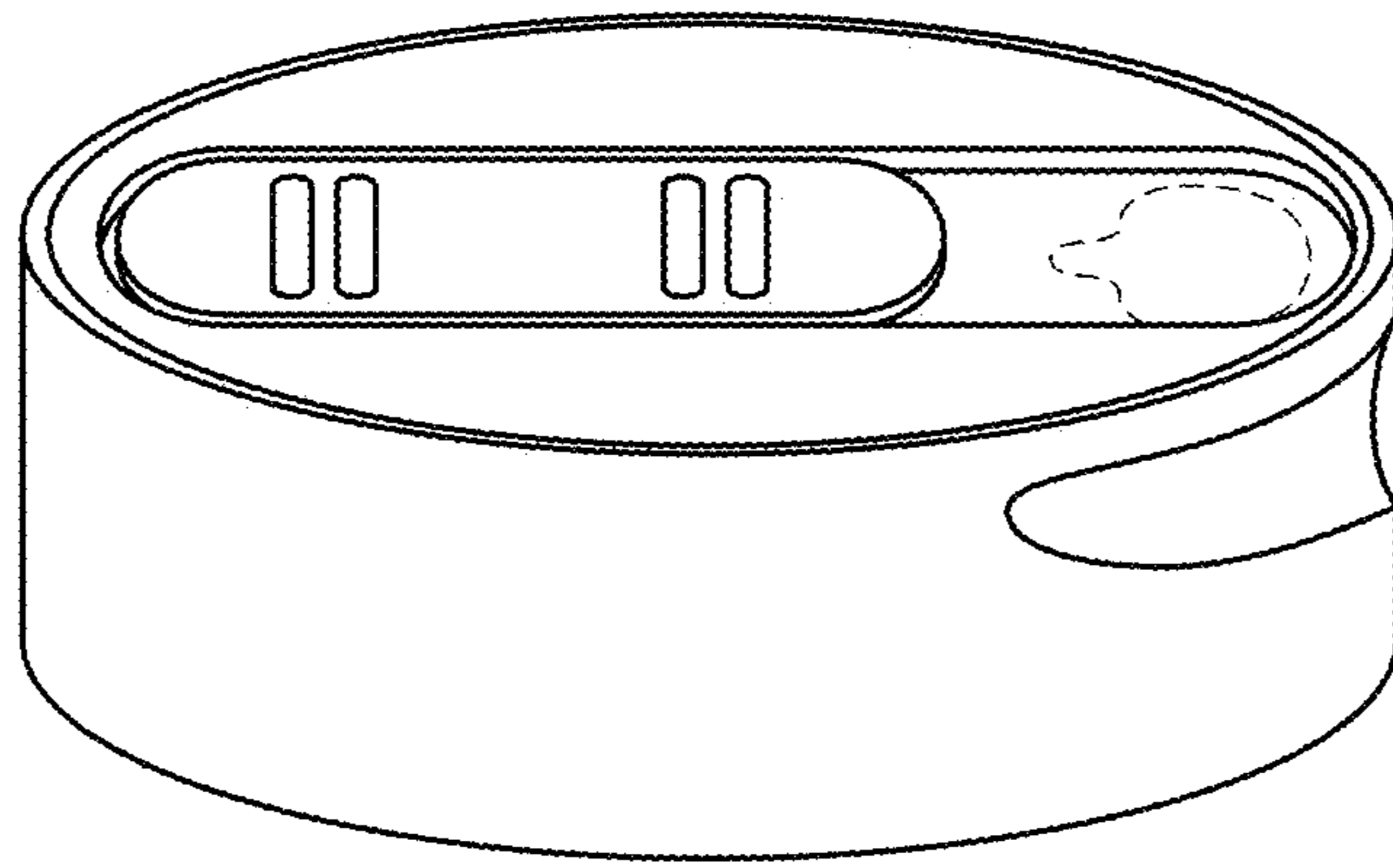


FIG. 2

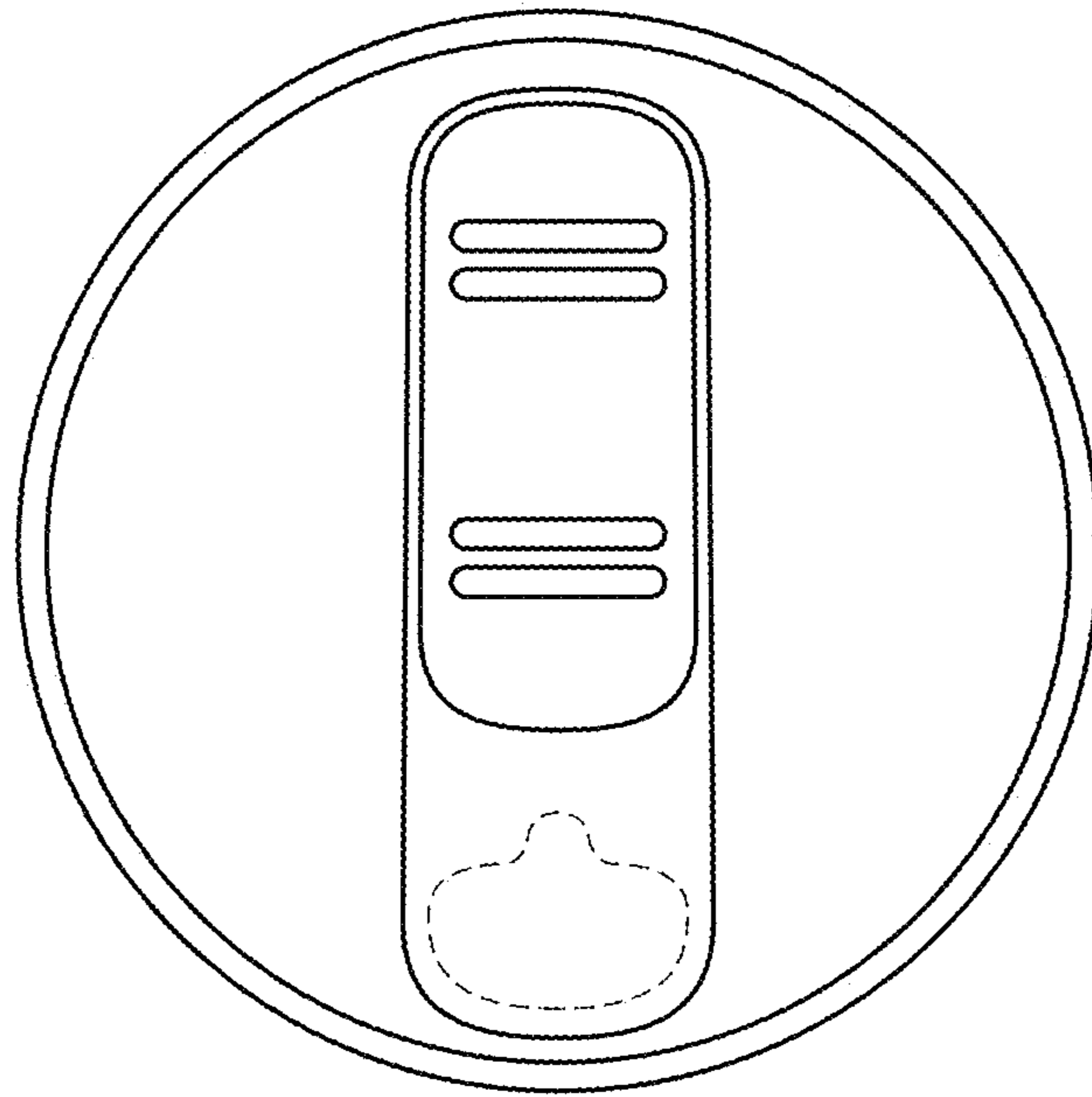


FIG. 3

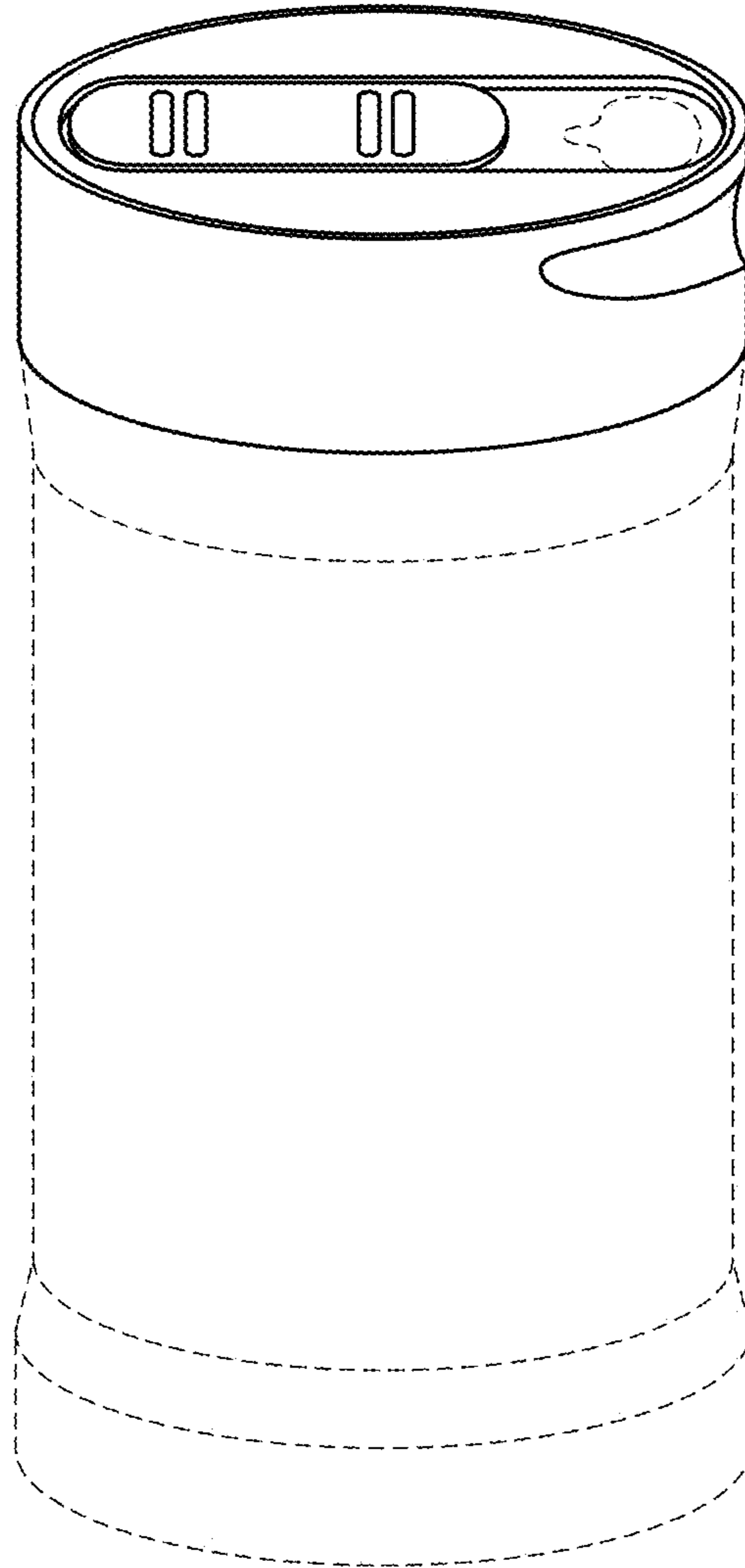


FIG. 4

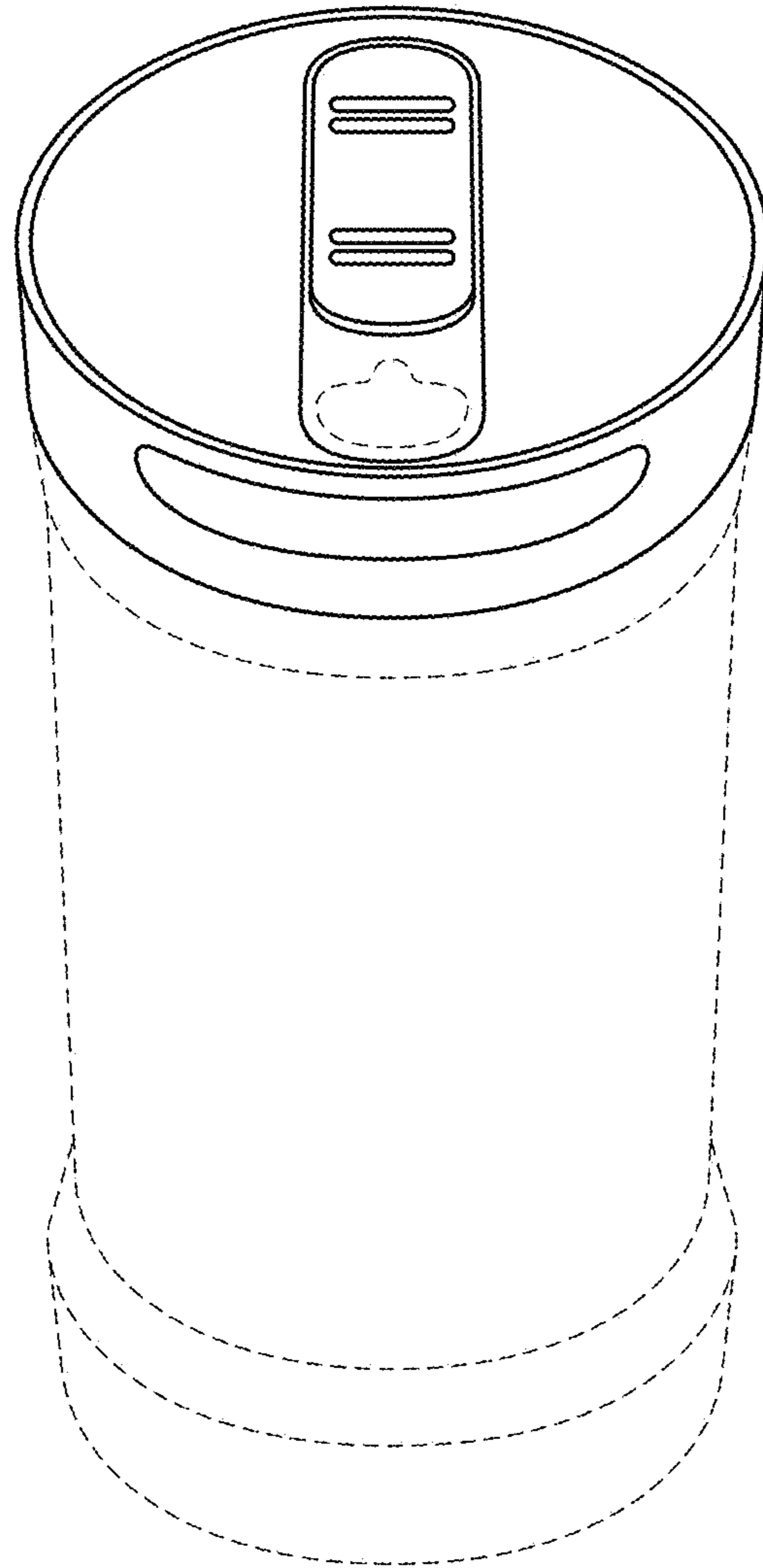


FIG. 5