



US00D975500S

(12) **United States Design Patent**
Pronk

(10) **Patent No.:** **US D975,500 S**
(45) **Date of Patent:** **** Jan. 17, 2023**

(54) **COFFEE CAPSULE HOLDER AND DISPENSER**

(71) Applicant: **Coffee Cannon Pty Ltd**, Panorama (AU)

(72) Inventor: **Daniel Lieuwe Pronk**, Panorama (AU)

(73) Assignee: **COFFEE CANNON PTY LTD**, Panorama (AU)

(**) Term: **15 Years**

(21) Appl. No.: **29/731,301**

(22) Filed: **Apr. 14, 2020**

(30) **Foreign Application Priority Data**

Oct. 14, 2019 (AU) 201915899

(51) **LOC (14) Cl.** **07-06**

(52) **U.S. Cl.**
USPC **D7/599**

(58) **Field of Classification Search**

USPC D7/500-501, 503, 513, 523, 529, 550.1, D7/553.1, 553.6, 640, 701, 704, 707, D7/546-549, 553.3-553.8, 554.1-554.2, D7/301, 506, 514, 539, 543-544, 551.1, D7/556, 563-636, 639, 702, 710; D9/757-758, 762; D3/254, 257-258; D28/38, 73; D8/71-74; D21/567, 570, D21/572-575; D22/100-104, 109-111
CPC F41C 7/00; F41C 7/02; F41C 7/025; F41C 7/04; F41C 7/06; F41C 7/11; F41C 7/12; F41C 9/00; F41C 9/02

See application file for complete search history.

(56) **References Cited**

U.S. PATENT DOCUMENTS

D206,542 S * 12/1966 Ryan D21/573
D206,670 S * 1/1967 Hirsch D21/573

(Continued)

FOREIGN PATENT DOCUMENTS

CN 305447980 * 11/2019
CN 306243167 * 12/2020

OTHER PUBLICATIONS

Pod Pistol, Coffee Cannon, indiegogo.com, published by Dan Pronk on Aug. 10, 2020 © 2021 Indiegogo, Inc., online, site visited Aug. 19, 2021. Available at URL: <https://www.indiegogo.com/projects/coffee-cannon-pod-pistol-k-cup-pod-dispenser-2#/> (Year: 2020).*

(Continued)

Primary Examiner — Holly E Thurman

Assistant Examiner — Altaira J Swangin

(74) *Attorney, Agent, or Firm* — Sean Mellino

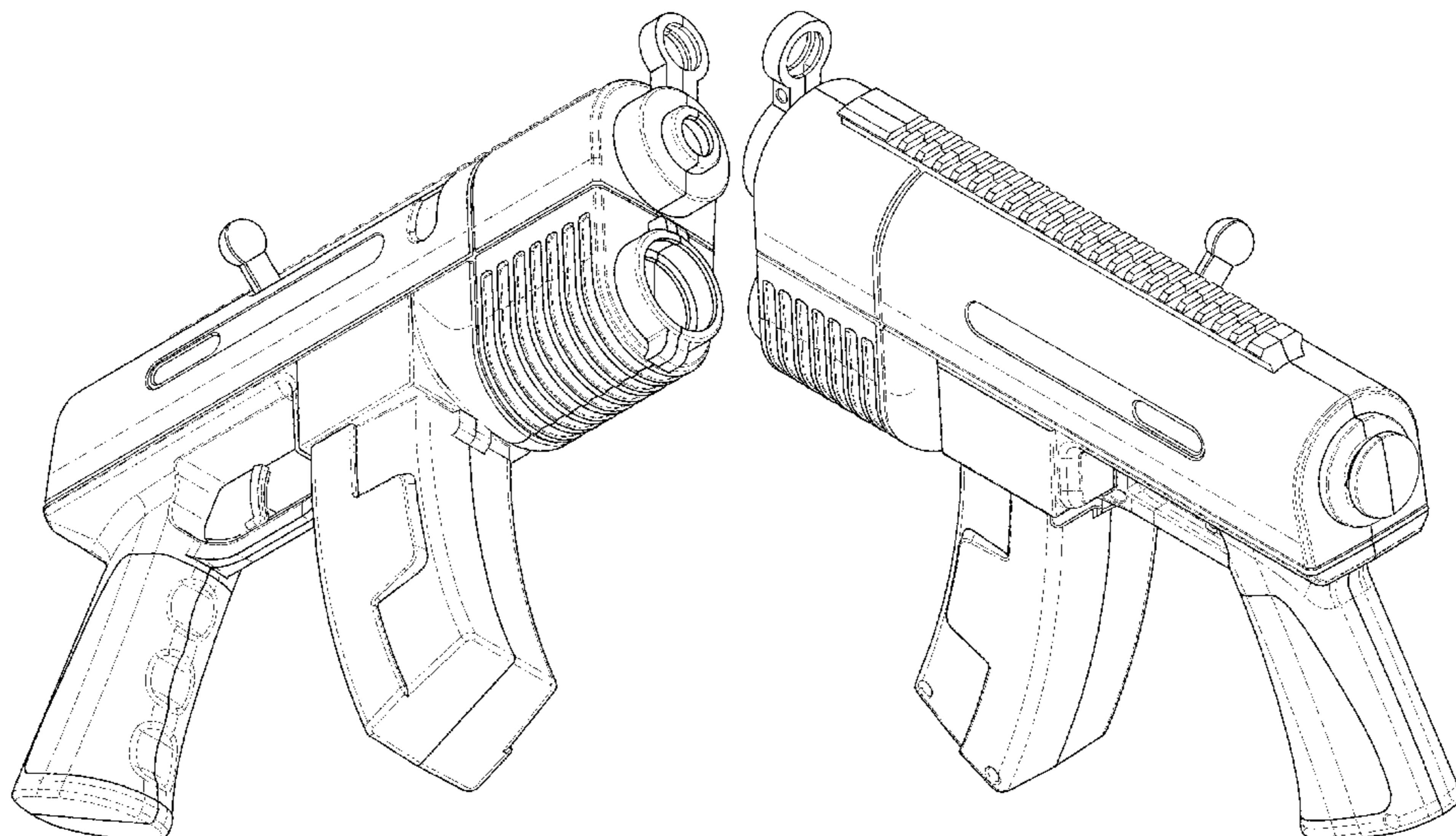
(57) **CLAIM**

The ornamental design for a coffee capsule holder and dispenser, as shown and described.

DESCRIPTION

FIG. 1 is a front perspective view of a coffee capsule holder and dispenser in accordance with the inventive design; FIG. 2 is a rear perspective view of the design as shown in FIG. 1; FIG. 3 is a side view of the design as shown in FIG. 1; FIG. 4 is a side view of the design as shown in FIG. 1, shown from the opposing side view as that shown in FIG. 3; FIG. 5 is a rear view of the design as shown in FIG. 1; FIG. 6 is a front view of the design as shown in FIG. 1; FIG. 7 is a bottom view of the design as shown in FIG. 1; and, FIG. 8 is a top view of the design as shown in FIG. 1. The broken lines shown in the drawings illustrate portions of the coffee capsule holder and dispenser that form no part of the claimed design.

1 Claim, 8 Drawing Sheets



(56)

References Cited

U.S. PATENT DOCUMENTS

D231,306 S * 4/1974 Breglia D7/599
 D235,299 S * 6/1975 Keating D7/599
 D285,327 S * 8/1986 Yano D21/573
 D286,308 S * 10/1986 Mayer D21/573
 D303,130 S * 8/1989 Noble D21/573
 D309,759 S * 8/1990 Mak D21/401
 D316,123 S * 4/1991 Shiung-Fei D21/570
 D344,311 S * 2/1994 Liu D21/572
 D350,574 S * 9/1994 Caminos D21/572
 D352,976 S * 11/1994 Hsieh D21/573
 D359,529 S * 6/1995 Nguyen D21/572
 D374,463 S * 10/1996 Butler D14/418
 D386,543 S * 11/1997 Chikui D14/418
 D419,384 S * 1/2000 Collins D21/452
 D423,609 S * 4/2000 D'Andrade D21/572
 D436,356 S * 1/2001 Lee D14/418
 D458,652 S * 6/2002 Chan D21/574
 D512,751 S * 12/2005 Malmloff D21/573
 D515,638 S * 2/2006 Pflaumer D21/574
 D524,871 S * 7/2006 Nunokawa D21/324
 D559,335 S * 1/2008 Orr D21/573
 D658,727 S * 5/2012 Greiner D21/570
 D660,920 S * 5/2012 Johnson D21/573
 D660,921 S * 5/2012 Johnson D21/572
 D660,922 S * 5/2012 Mead D21/573
 D676,094 S * 2/2013 Hu D21/574
 D690,374 S * 9/2013 Lee D21/574
 D692,508 S * 10/2013 Pearce D21/574
 D744,049 S * 11/2015 Chu D22/104
 D754,802 S * 4/2016 Martelli D21/574
 D766,380 S * 9/2016 Crye D21/573

D786,987 S * 5/2017 Su D21/572
 D830,480 S * 10/2018 Chu D21/574
 D832,370 S * 10/2018 Chen D21/573
 D834,112 S * 11/2018 Chu D21/573
 D834,656 S * 11/2018 Chu D21/574
 D842,393 S * 3/2019 Xiao D21/575
 D846,038 S * 4/2019 Lin D22/104
 D854,642 S * 7/2019 Shinkle D22/104
 D864,336 S * 10/2019 šimek et al. D22/103
 D877,278 S * 3/2020 Ribelin D22/104
 D879,880 S * 3/2020 Abe D21/333
 D883,401 S * 5/2020 Yang D21/574
 D903,789 S * 12/2020 Zheng D21/572
 D908,816 S * 1/2021 Cheng D21/573
 D918,328 S * 5/2021 Newsome D22/104
 D948,634 S * 4/2022 Lin D21/573

OTHER PUBLICATIONS

Nerf Rival Finisher, Hasbro, blasterhub.com, published by blasterhub on Sep. 25, 2020 per wayback machine © 2021 Blaster Hub, online, site visited Aug. 25, 2021. Available at URL: <https://blasterhub.com/2020/05/nerf-rival-finisher-review/> (Year: 2020).*

PC Charger Pistol, Ruger, ballisticmag.com, published by Ballistic Staff on Mar. 17, 2020 © Ballistic, online, site visited Aug. 25, 2021. Available at URL: <https://www.ballisticmag.com/ruger-pc-charger-first-look/> (Year: 2020).*

Pod Pistol, Coffee Cannon, youtube.com, published by Coffee Cannon on Jul. 28, 2020 © unlisted, online, site visited May 23, 2022. Available at URL: <https://www.youtube.com/watch?v=lamiiFvUfis> (Year: 2020).*

* cited by examiner

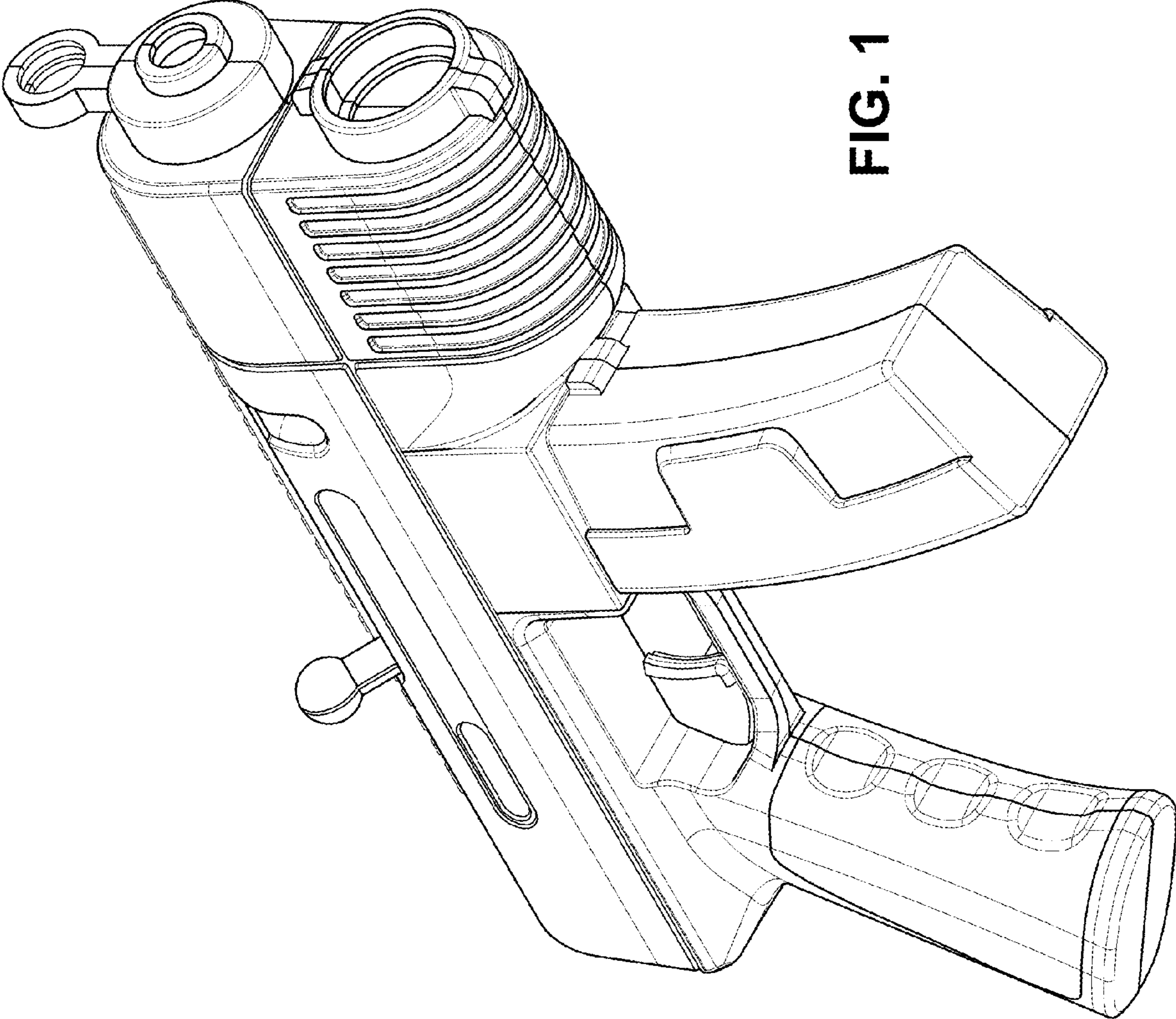


FIG. 1

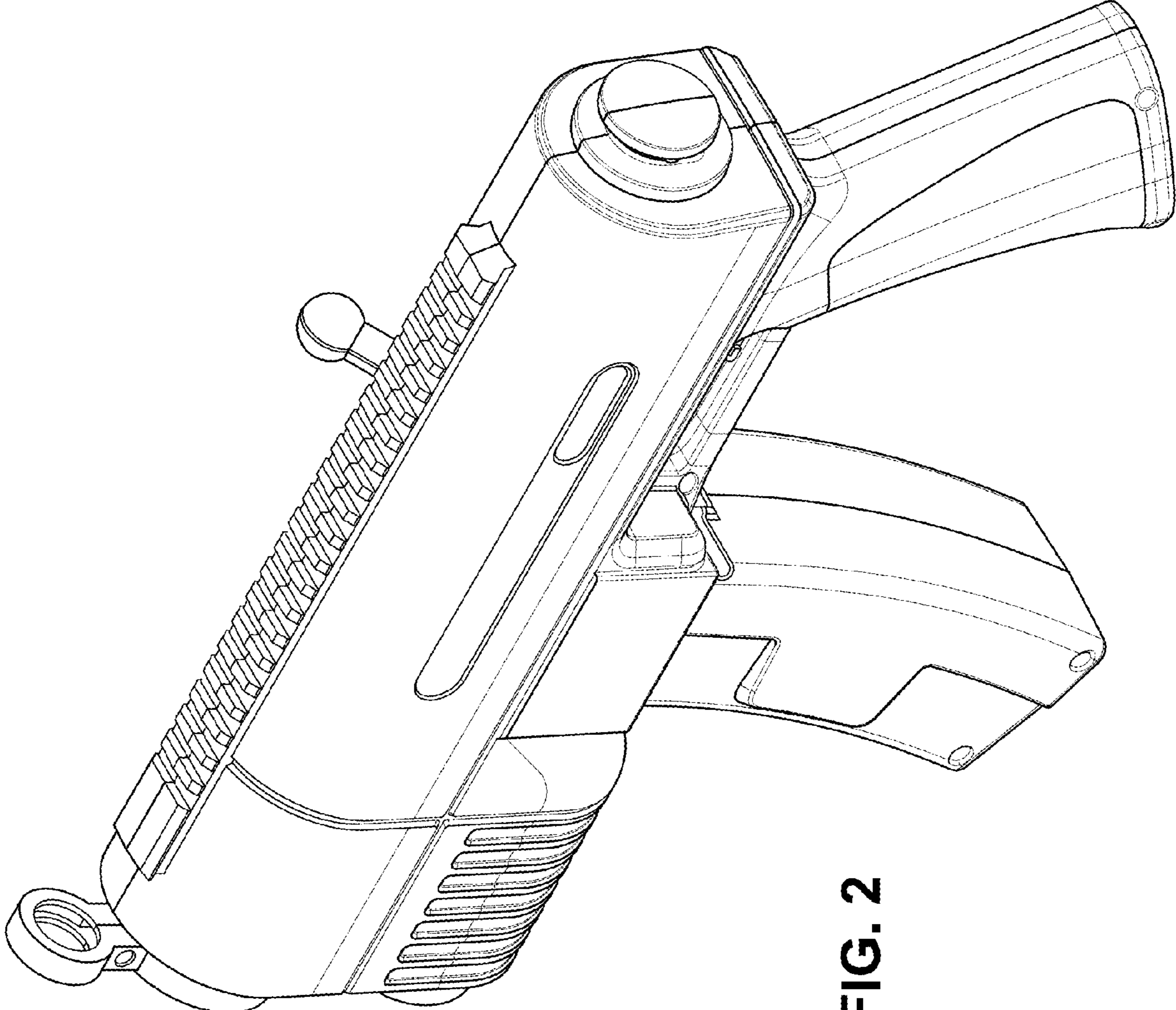


FIG. 2

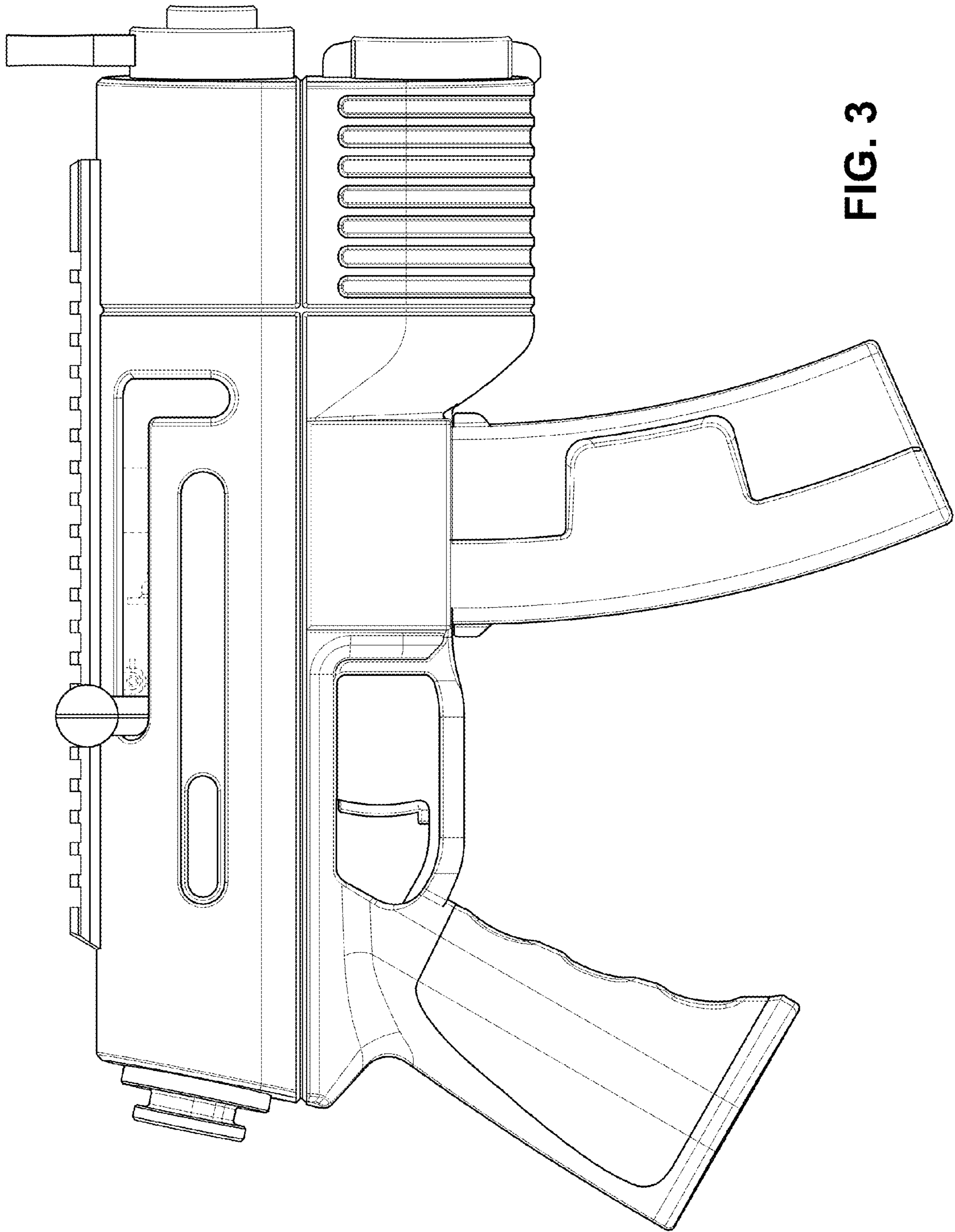


FIG. 3

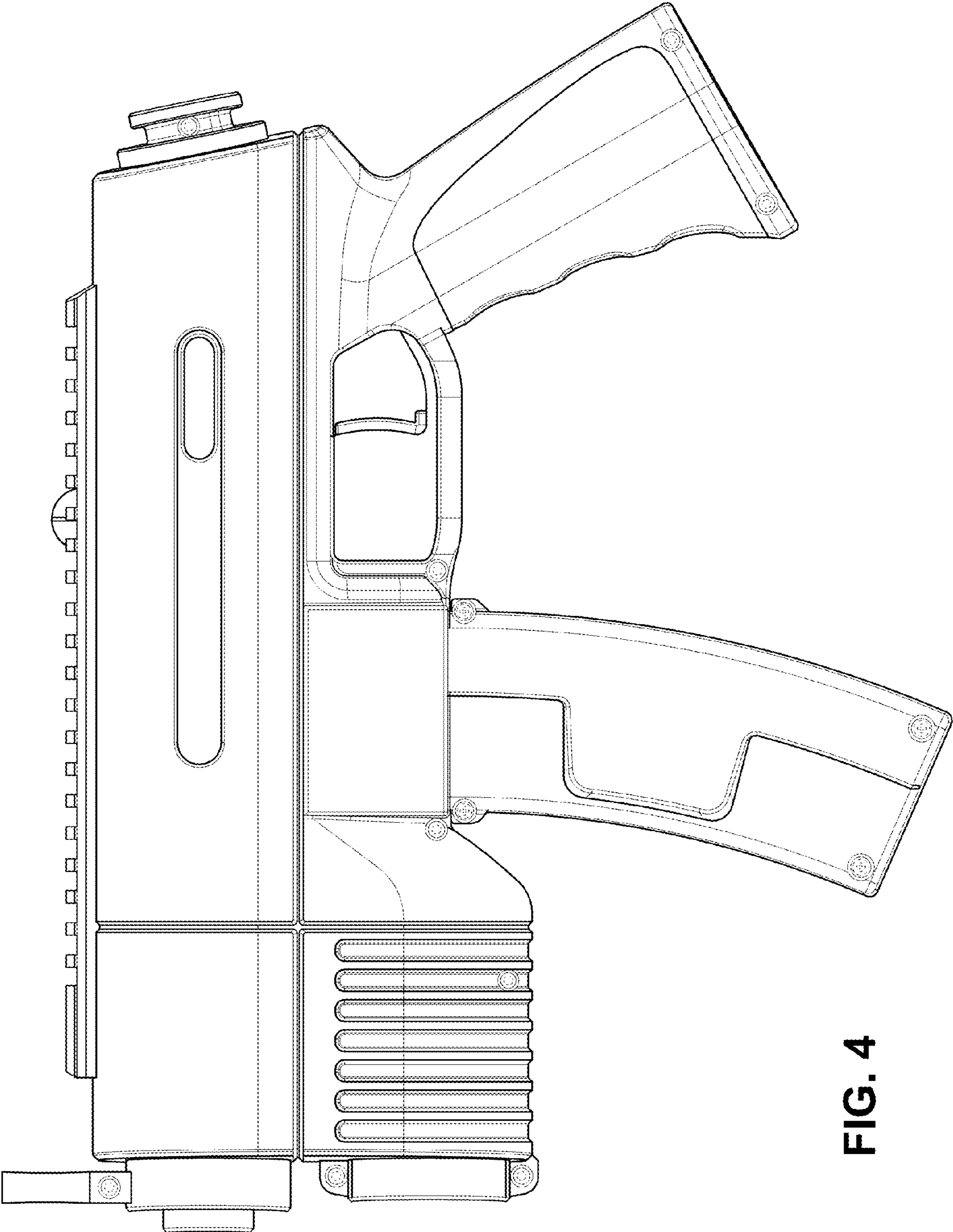


FIG. 4

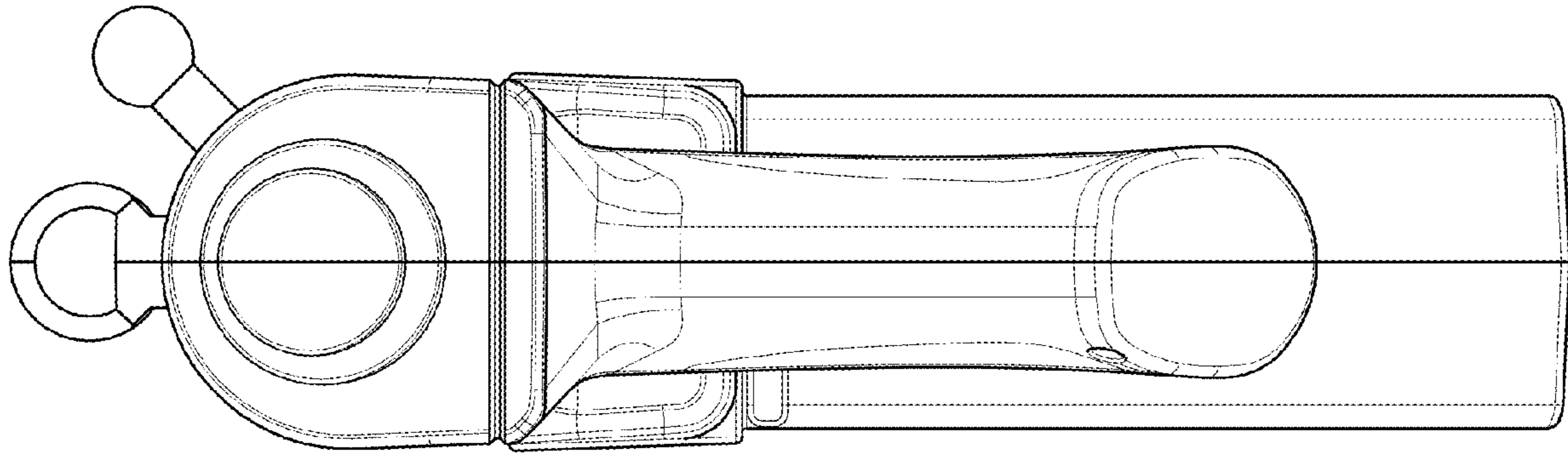


FIG. 5

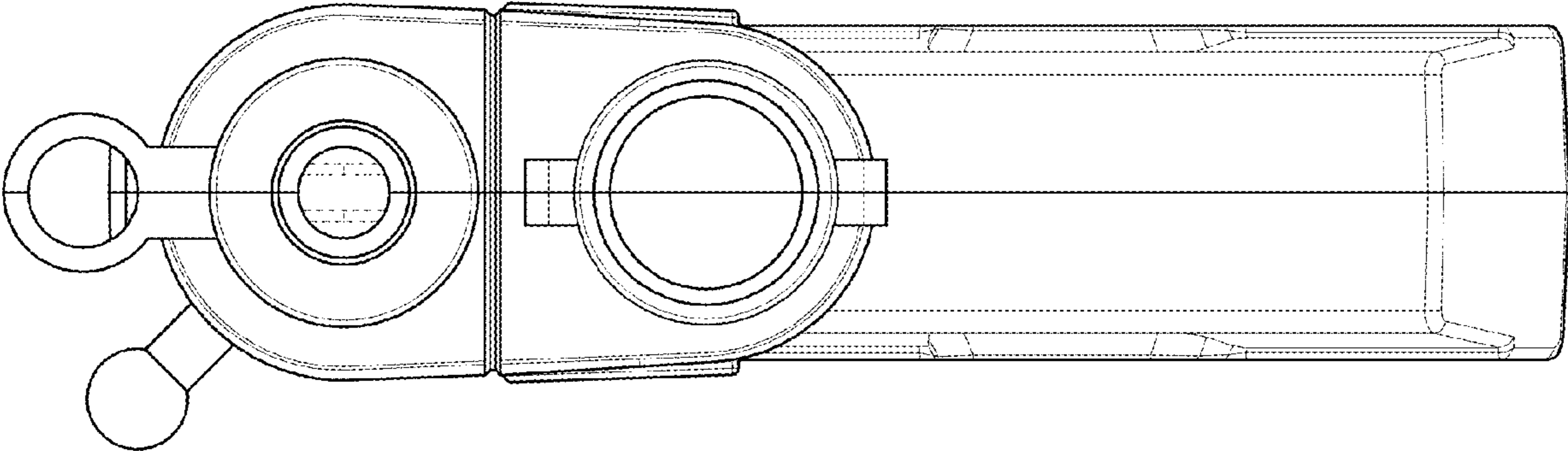


FIG. 6

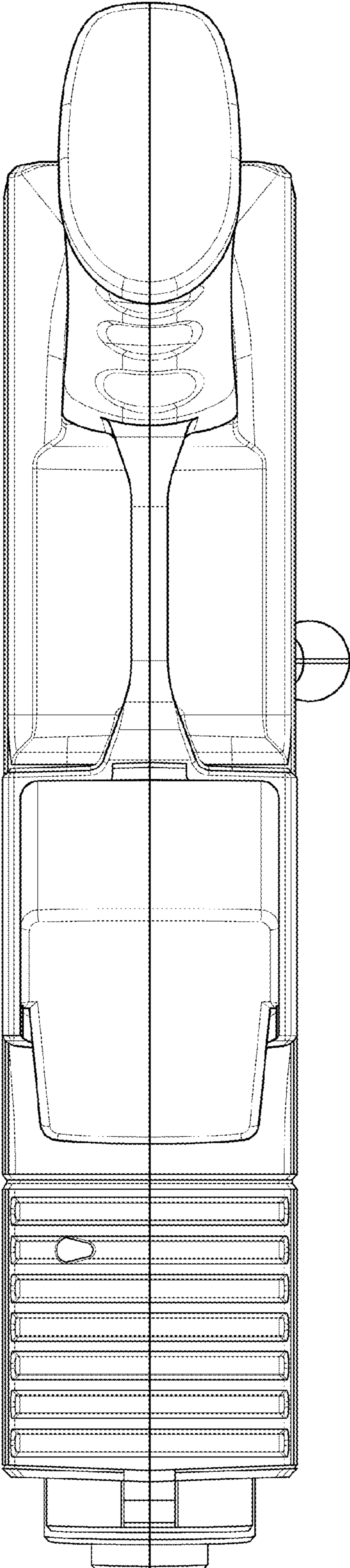


FIG. 7

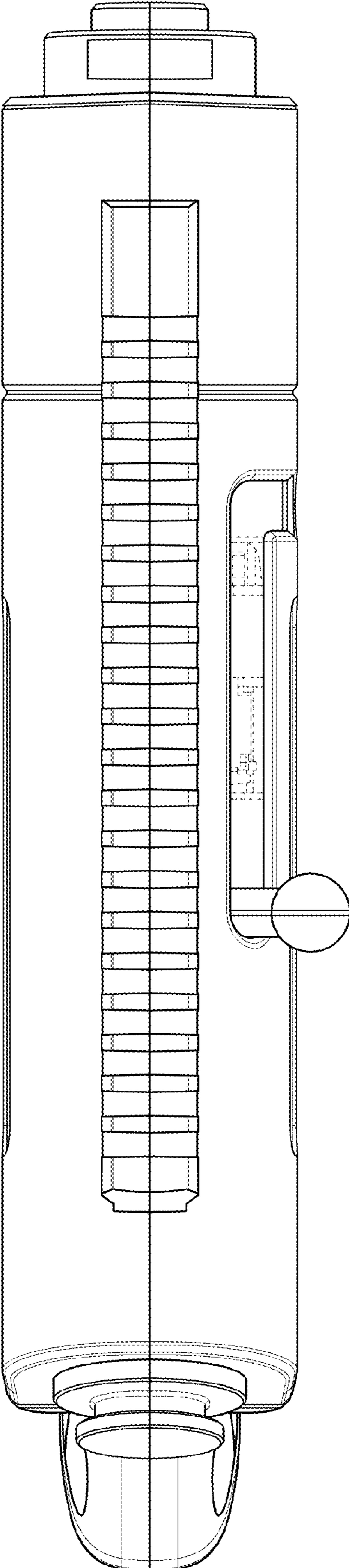


FIG. 8