



US00D975499S

(12) **United States Design Patent**
Volk et al.

(10) **Patent No.:** **US D975,499 S**

(45) **Date of Patent:** **** Jan. 17, 2023**

(54) **EDIBLE SHOT GLASS WITH BASE**

(71) Applicants: **Jay Volk**, Colleyville, TX (US);
Kimberly Rodden, Mesquite, TX (US)

(72) Inventors: **Jay Volk**, Colleyville, TX (US);
Kimberly Rodden, Mesquite, TX (US)

(**) Term: **15 Years**

(21) Appl. No.: **29/652,532**

(22) Filed: **Sep. 14, 2020**

(51) **LOC (14) Cl.** **07-01**

(52) **U.S. Cl.**

USPC **D7/523**; D7/524

(58) **Field of Classification Search**

USPC D3/202; D9/612, 680; D22/116, 108;
D27/183; D7/507, 514, 523, 509, 510,
D7/511, 392.1, 396.1, 396.2, 608, 900,
D7/526, 531, 505, 392, 537, 519, 529,
D7/213, 524

CPC . A47G 19/2205; A47G 19/2272; A47J 41/00;
A47J 45/072; Y10S 220/903; B65D
21/02; B65D 43/00

See application file for complete search history.

(56) **References Cited**

U.S. PATENT DOCUMENTS

- 143,778 A * 10/1873 Oesterling A47G 19/2205
215/374
- D100,039 S * 6/1936 Perry D7/524
- D219,789 S * 1/1971 Quistgaard D7/524
- D221,015 S * 6/1971 Northup D7/524
- D224,035 S * 6/1972 Douglas D7/524
- D227,136 S * 6/1973 Kies D11/154
- D234,448 S * 3/1975 Achenbach D7/524
- D242,062 S * 10/1976 Vickers D26/22
- D259,984 S * 7/1981 Wirkkala D7/524
- D304,514 S * 11/1989 Vezirian D99/25
- D332,551 S * 1/1993 Fields D7/619.1
- D363,854 S * 11/1995 Katz D7/509

- D400,398 S * 11/1998 McNaughton D7/513
- D474,648 S * 5/2003 Dimeo D7/532
- D564,894 S * 3/2008 Buoy D9/600
- D605,465 S * 12/2009 Benton D7/400
- D615,363 S * 5/2010 Lion D7/558

(Continued)

FOREIGN PATENT DOCUMENTS

- CN 301801894 * 1/2012
- CN 302580298 * 9/2013

(Continued)

OTHER PUBLICATIONS

Oyaton [online] URL: <https://www.amazon.com/OYATON-Holders-Candlestick-Wedding-Decoration/dp/B07XL1Q249> (site visited: Jun. 28, 2022) (Year: 2019).*

(Continued)

Primary Examiner — Jae Liang
Assistant Examiner — Tia Ruth-Renee Polidori
(74) *Attorney, Agent, or Firm* — Dunlap Bennett & Ludwig, PLLC; Anna L. Kinney

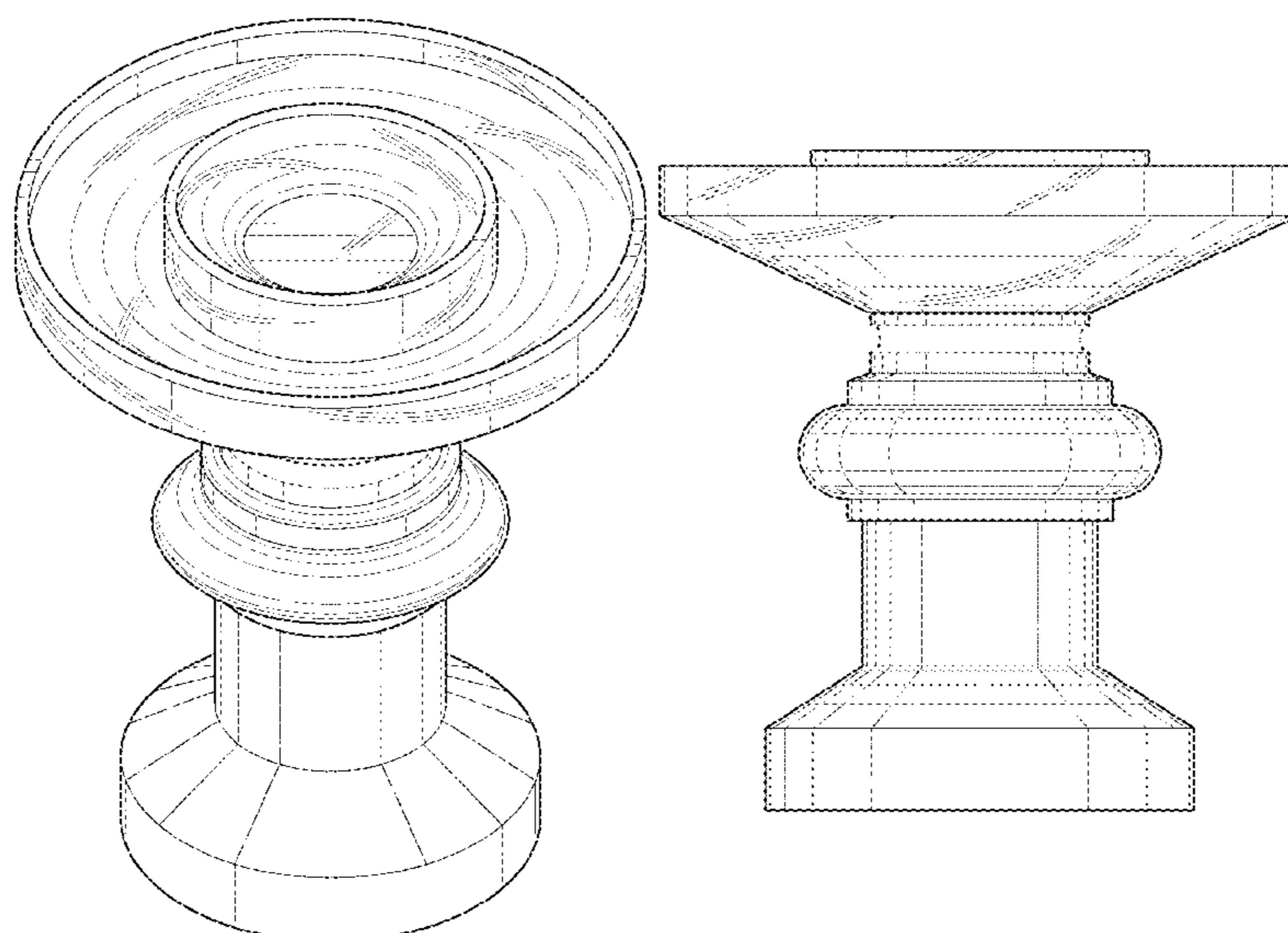
(57) **CLAIM**

The ornamental design for an edible shot glass with base, as shown and described.

DESCRIPTION

FIG. 1 is a top perspective view of an edible shot glass with base showing our new design;
FIG. 2 is a front elevation view thereof;
FIG. 3 is a rear elevation view thereof;
FIG. 4 is a left elevation view thereof;
FIG. 5 is a right elevation view thereof;
FIG. 6 is a top plan view thereof; and,
FIG. 7 is a bottom plan view thereof.
The portions of the edible shot glass with base shown in broken line form no part of the claimed design.

1 Claim, 4 Drawing Sheets



(56)

References Cited

U.S. PATENT DOCUMENTS

D679,946 S * 4/2013 Romley D7/524
D727,090 S * 4/2015 St. Jacques D7/387
D746,512 S * 12/2015 Sahni D27/162
D765,468 S * 9/2016 Yen D7/392.1
D817,762 S * 5/2018 French D9/456
10,390,640 B2 * 8/2019 Turner B65D 17/502
2012/0273373 A1 * 11/2012 Wu A47G 19/2205
206/217

FOREIGN PATENT DOCUMENTS

CN 304223887 * 7/2017
CN 305109674 * 4/2019
CN 305538966 * 1/2020
CN 307426317 * 6/2022
KR 301035098.0000 * 12/2019
NZ 22280-0001 * 11/1988

OTHER PUBLICATIONS

Quick Candles [online] URL: <https://quickcandles.com/products/richland-simple-glass-taper-candle-holder-set-of-72> (site visited: Jun. 28, 2022) (Year: 2019).*

Crate and Barrel [online] URL: <https://www.crateandbarrel.com/calder-coupe/s575470> (site visited: Jun. 28, 2022) (Year: 2021).*

* cited by examiner

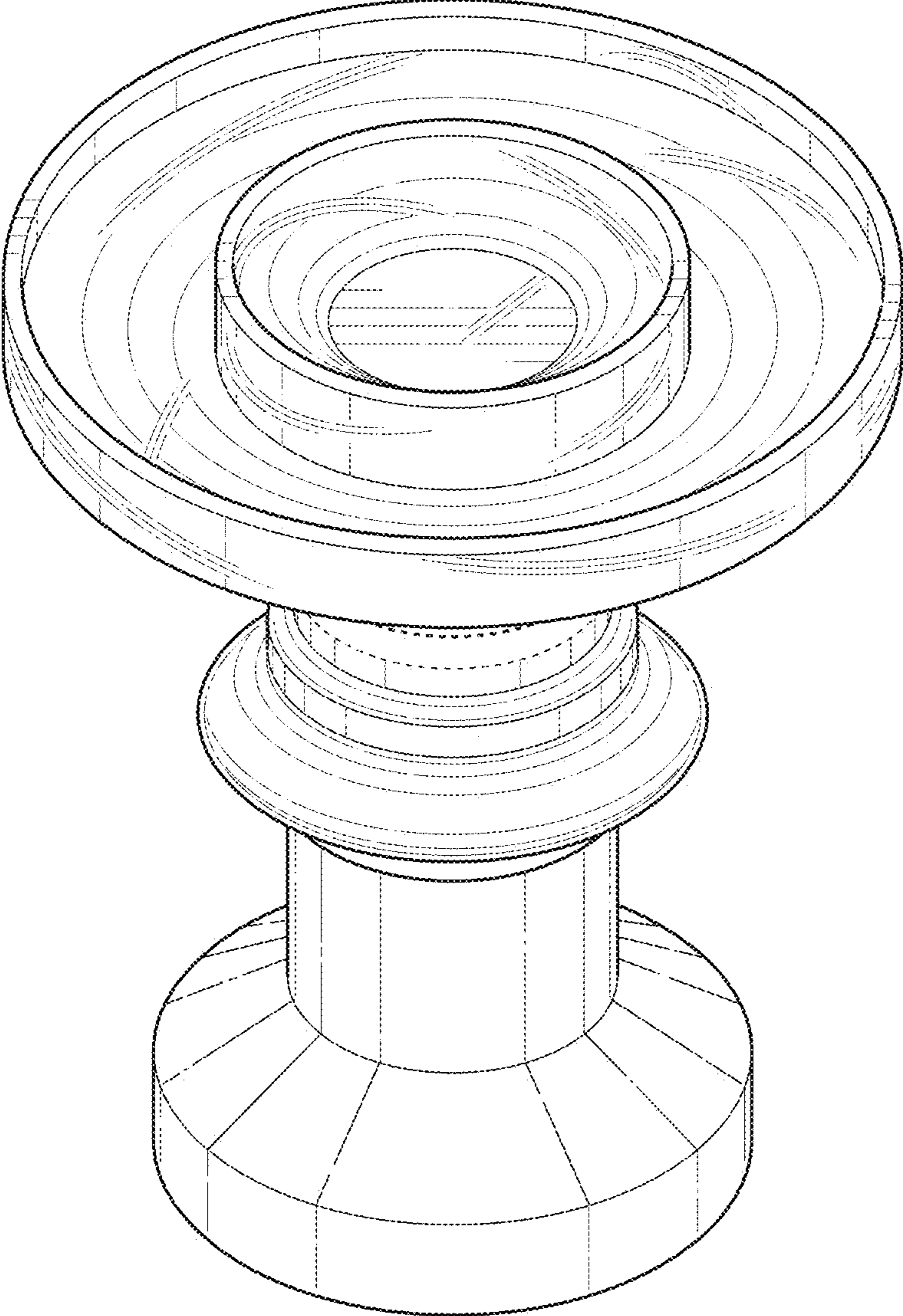


FIG. 1

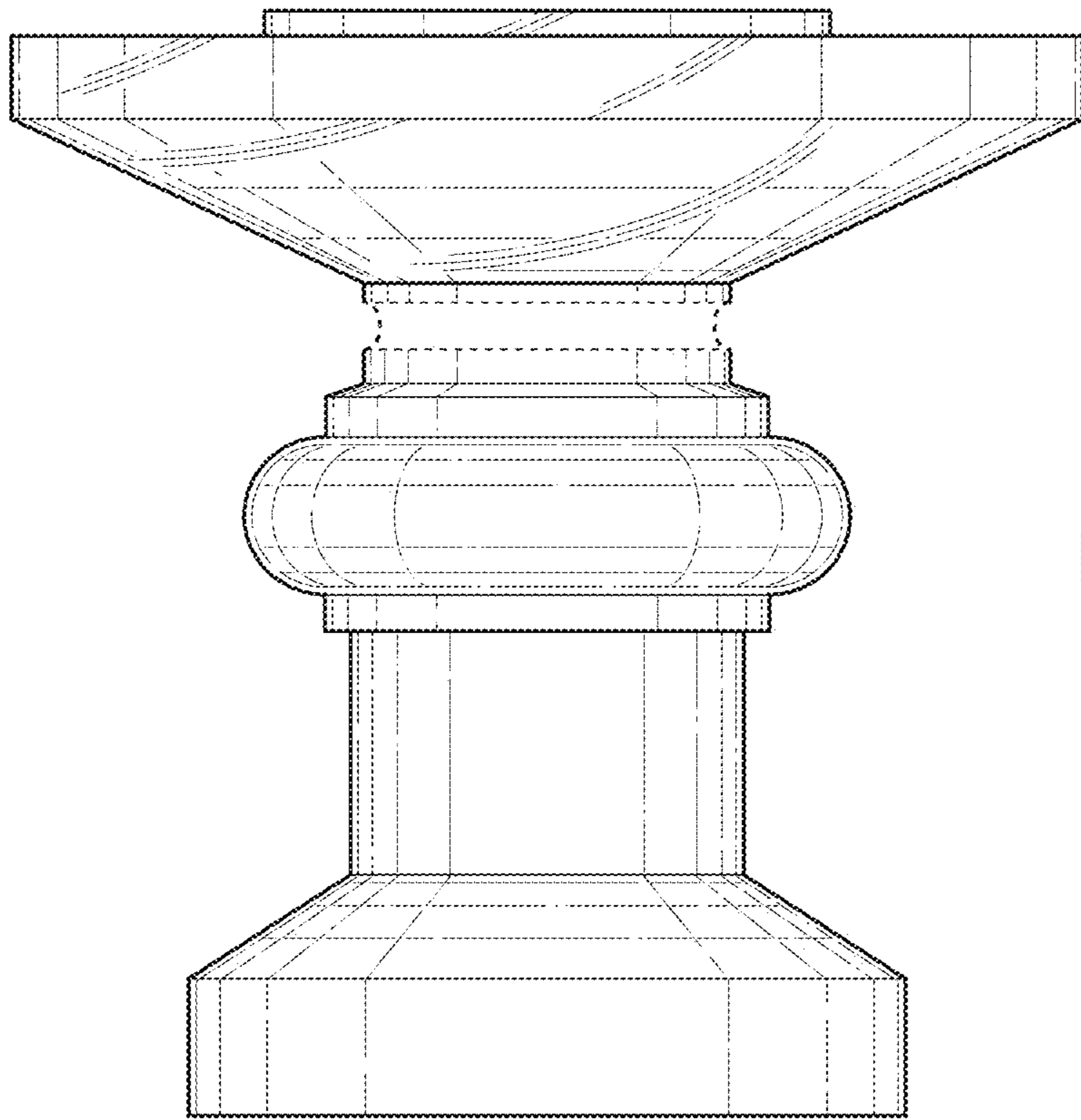


FIG. 2

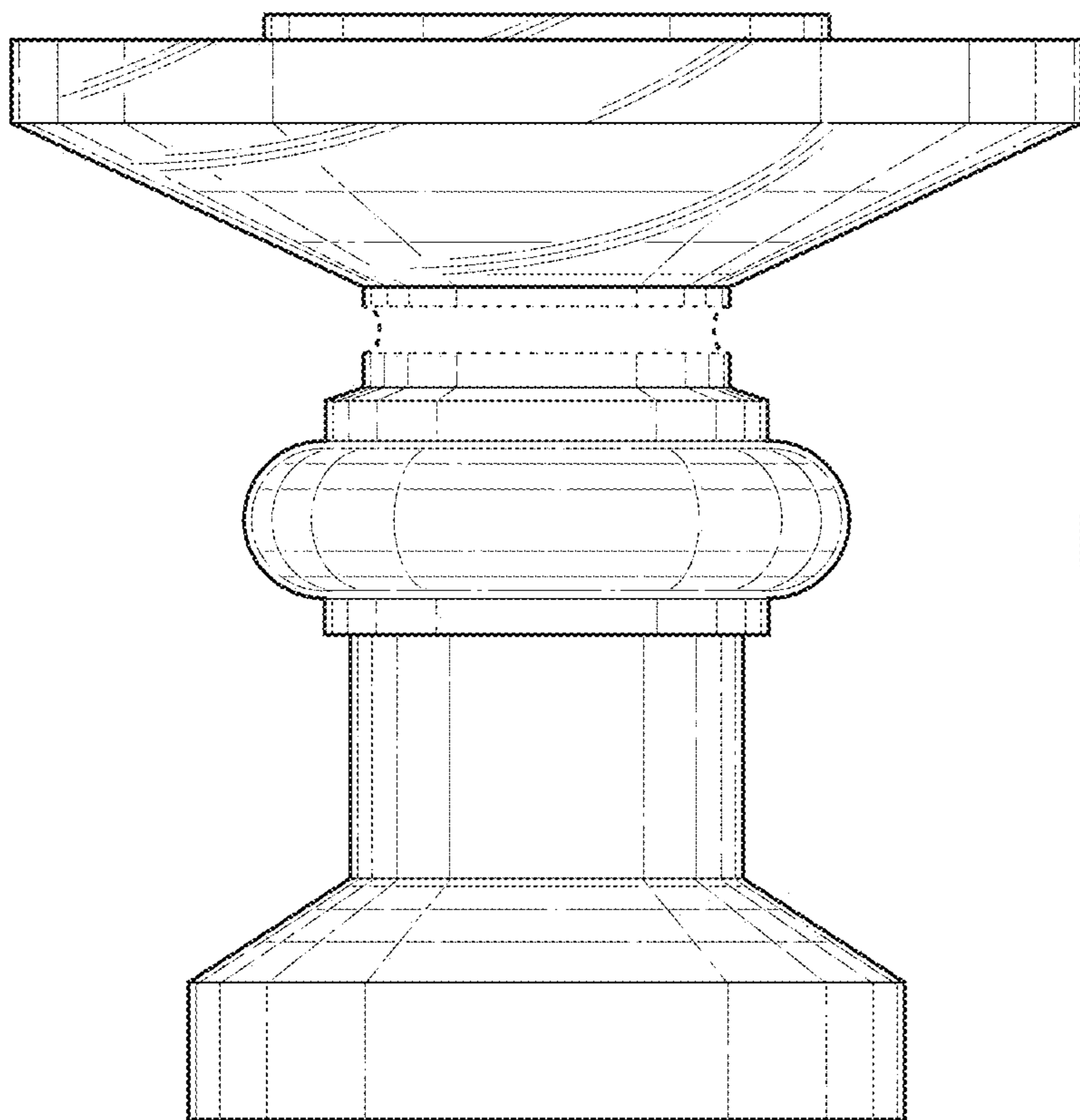


FIG. 3

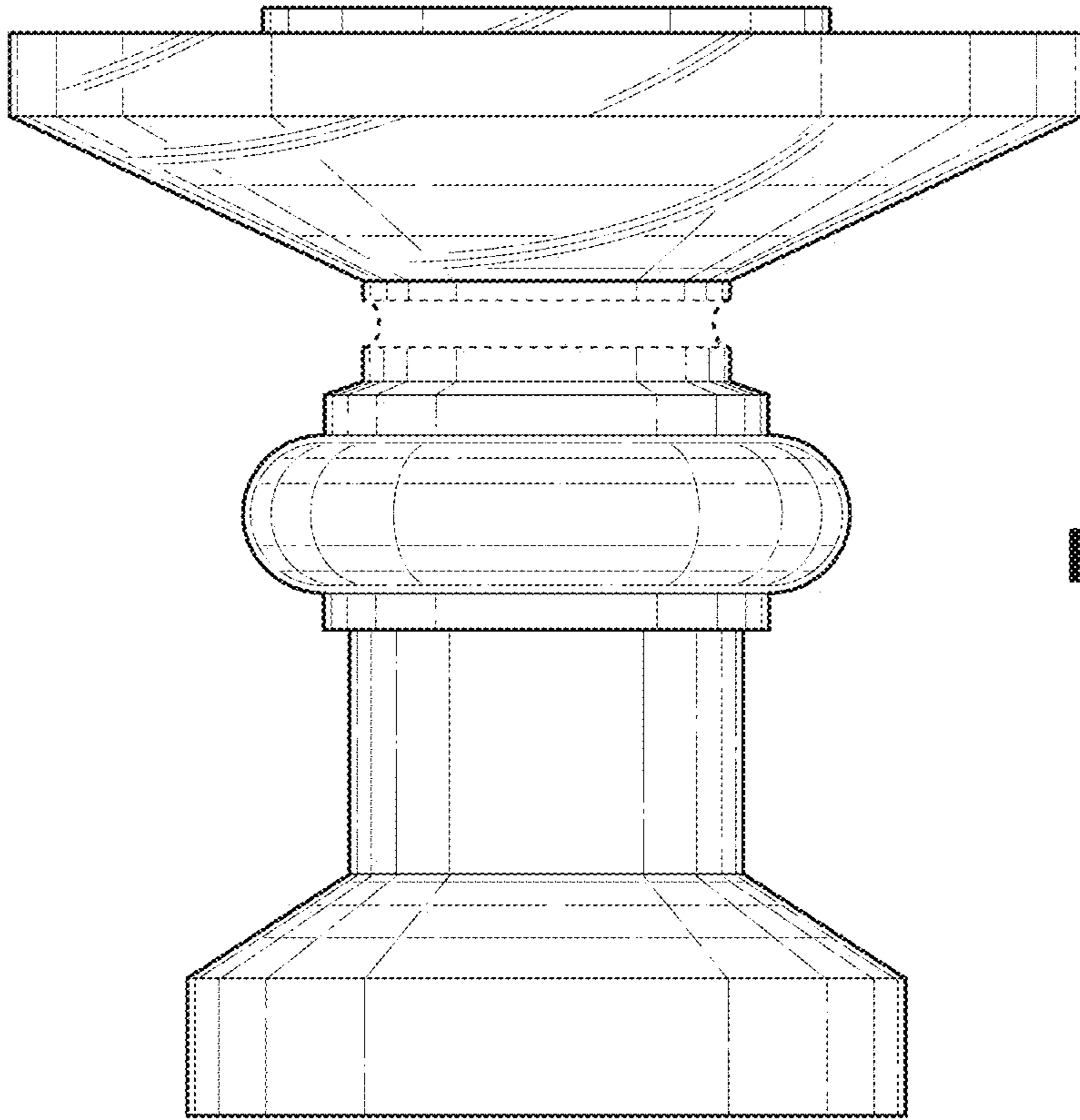


FIG. 4

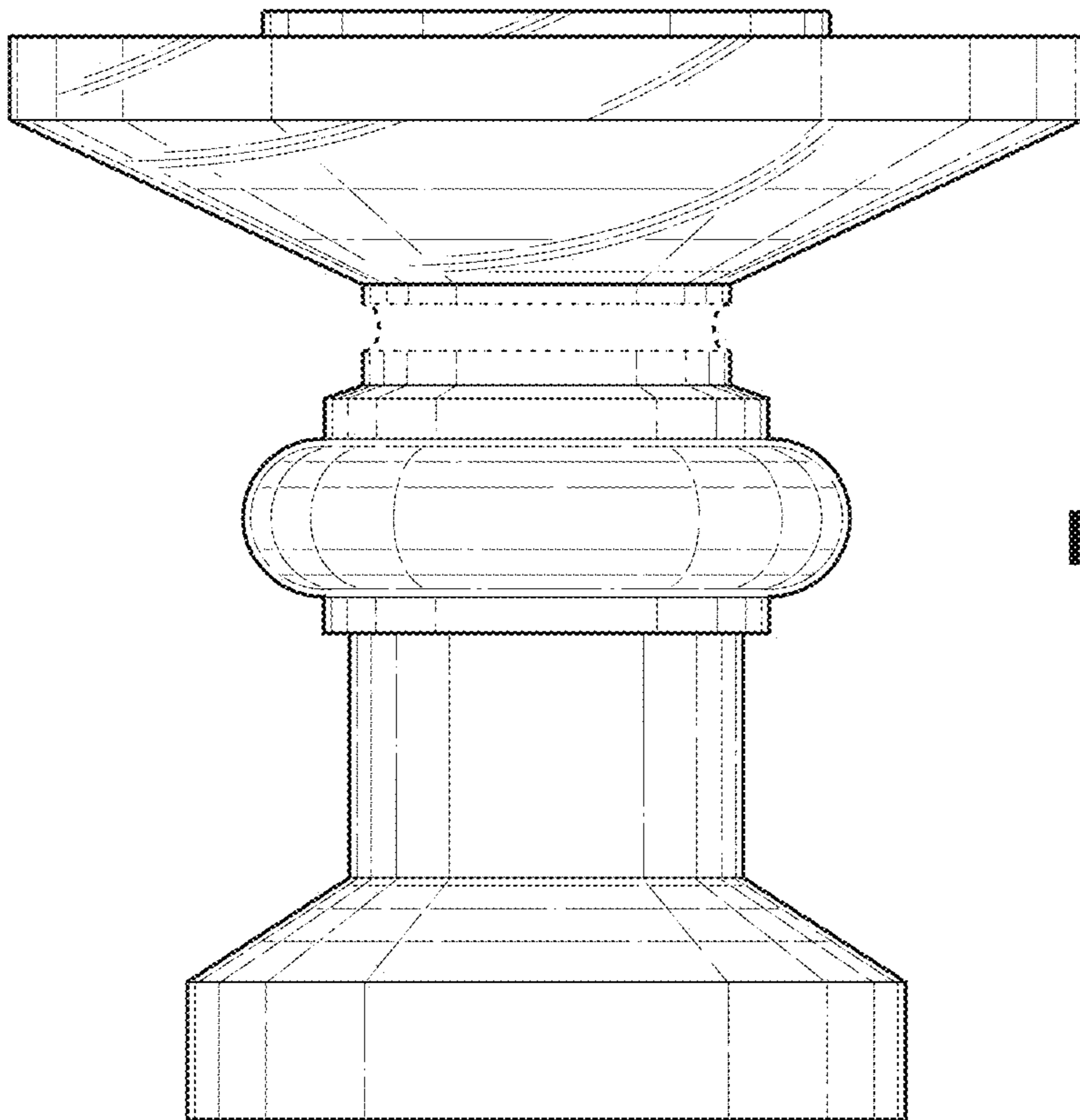


FIG. 5

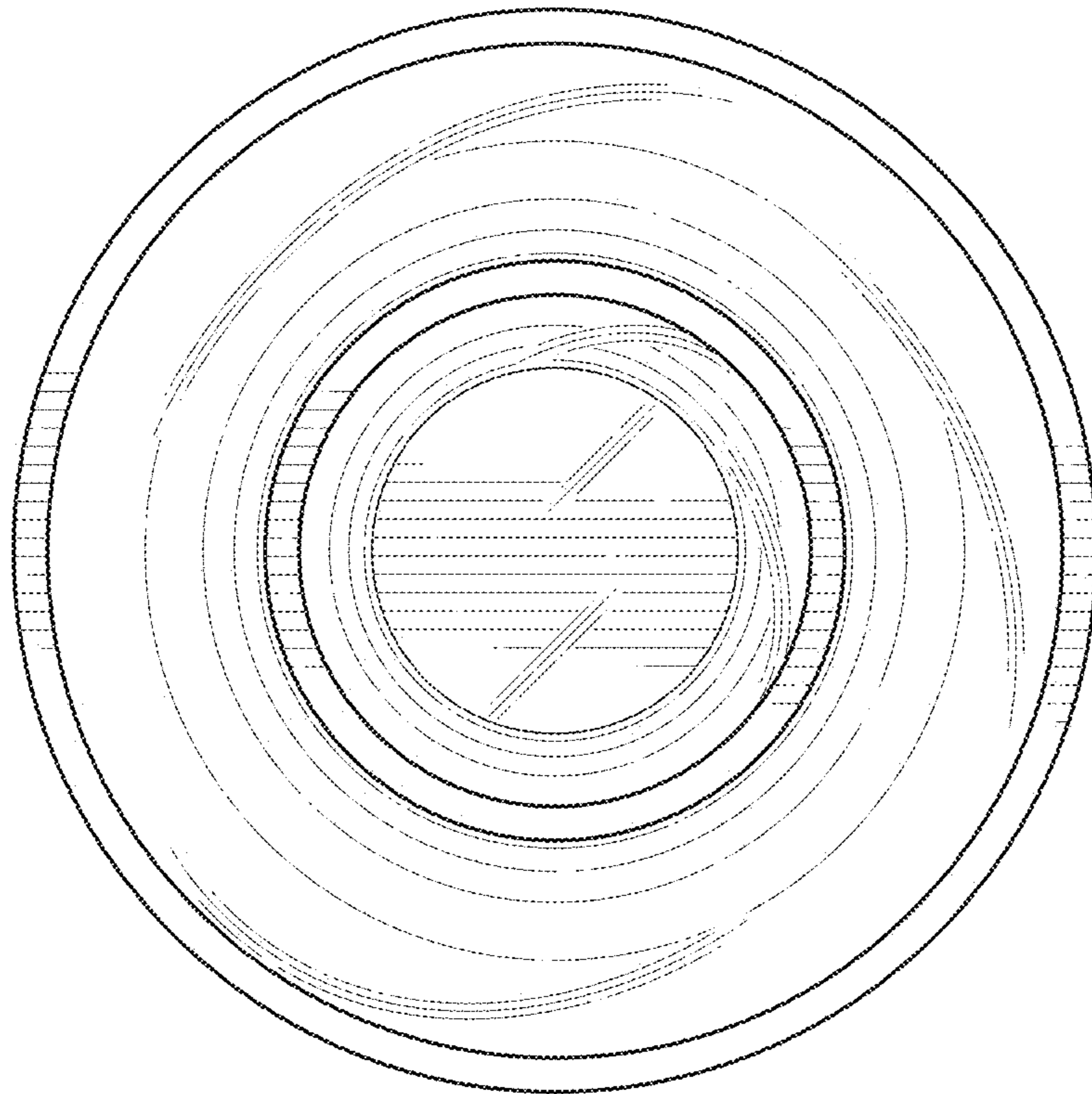


FIG. 6

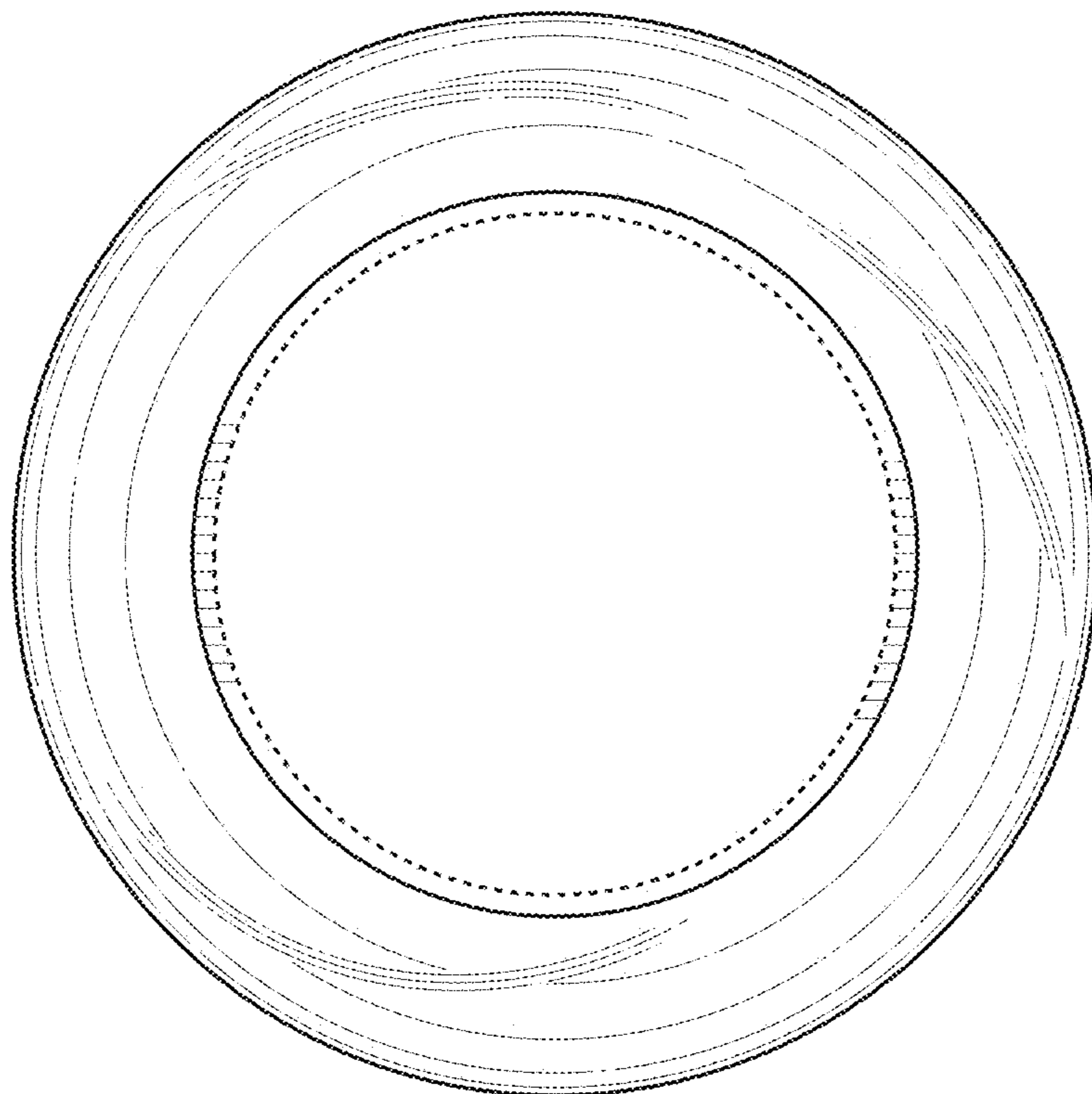


FIG. 7