



US00D975498S

(12) **United States Design Patent**
Kim et al.

(10) **Patent No.:** **US D975,498 S**
(45) **Date of Patent:** **** *Jan. 17, 2023**

(54) **BEVERAGE CONTAINER WITH LID**

(71) Applicant: **CamelBak Products, LLC**, Petaluma, CA (US)

(72) Inventors: **Jenna Kim**, San Rafael, CA (US); **Ben Vierck**, Petaluma, CA (US)

(73) Assignee: **CAMELBAK PRODUCTS, LLC**, Petaluma, CA (US)

(*) Notice: This patent is subject to a terminal disclaimer.

(**) Term: **15 Years**

(21) Appl. No.: **29/821,056**

(22) Filed: **Dec. 27, 2021**

Related U.S. Application Data

(63) Continuation of application No. 29/721,150, filed on Jan. 17, 2020, now Pat. No. Des. 939,281, which is a (Continued)

(51) **LOC (14) Cl.** **07-01**

(52) **U.S. Cl.**
USPC **D7/510; D7/523**

(58) **Field of Classification Search**
USPC D7/507, 509, 510, 511, 523, 532, 533, D7/536, 392.1, 396.2, 387, 608; D9/435, D9/449, 450, 436

(Continued)

(56) **References Cited**

U.S. PATENT DOCUMENTS

D224,797 S * 9/1972 Thrush D7/523
D713,690 S * 9/2014 Katterheinrich D7/523
(Continued)

OTHER PUBLICATIONS

https://www.amazon.com/dp/B087THK112/ref=emc_b_5_t Camel Back Apr. 28, 2020 (Year: 2020).*

(Continued)

Primary Examiner — Jae Liang

(74) *Attorney, Agent, or Firm* — Amardeep S. Grewal; Gerard M. Donovan; Reed Smith LLP

(57) **CLAIM**

The ornamental design for a beverage container with lid, as shown and described.

DESCRIPTION

FIG. 1 is a top front isometric view of a beverage container with lid showing the design.

FIG. 2 is a top front isometric view of the beverage container with lid of FIG. 1 in an alternate position.

FIG. 3 is a top front isometric view of the beverage container with lid of FIG. 1 in another alternate position.

FIG. 4 is a top rear isometric view of the beverage container with lid of FIG. 1.

FIG. 5 is a front elevation view of the beverage container with lid of FIG. 1.

FIG. 6 is a rear elevation view of the beverage container with lid of FIG. 1.

FIG. 7 is a left elevation view of the beverage container with lid of FIG. 1.

FIG. 8 is a right elevation view of the beverage container with lid of FIG. 1.

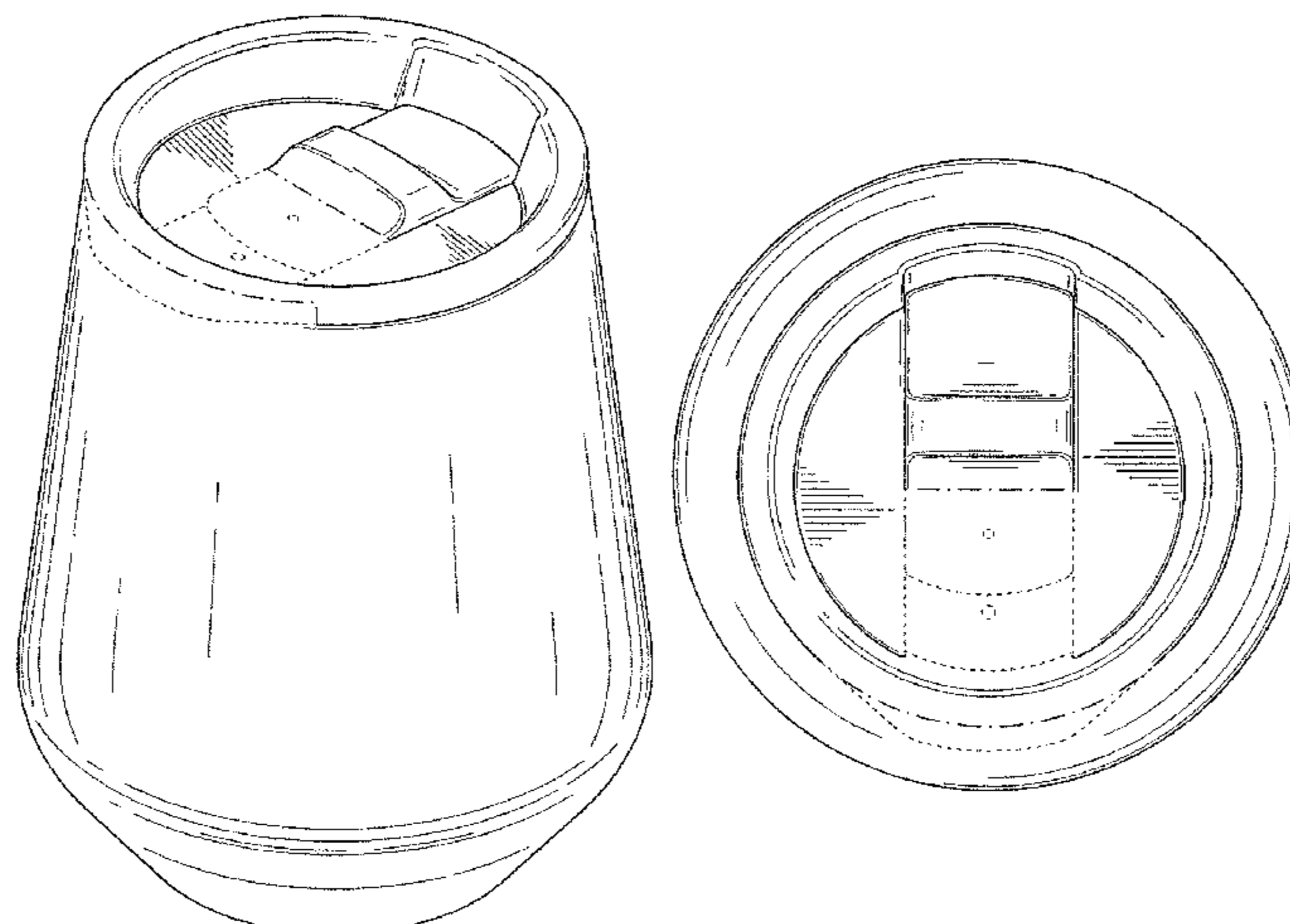
FIG. 9 is a top plan view of the beverage container with lid of FIG. 1.

FIG. 10 is a bottom plan view of the beverage container with lid of FIG. 1; and,

FIG. 11 is a bottom front isometric view of the beverage container with lid of FIG. 1.

The dashed lines in the drawings illustrate portions of the beverage container with lid that form no part of the claimed design. The dot-dash broken lines define the bounds of the claimed design and form no part thereof. The shading lines shown in the drawings represent the approximate three-dimensional contour of the claimed design and are not intended to indicate surface decoration.

1 Claim, 10 Drawing Sheets



Related U.S. Application Data

continuation-in-part of application No. 29/704,938,
filed on Sep. 9, 2019.

(58) **Field of Classification Search**

CPC A47G 19/22; A47G 19/2288; A47G
19/2205; A47G 19/2272; A45F 3/20

See application file for complete search history.

(56) **References Cited**

U.S. PATENT DOCUMENTS

D817,093 S * 5/2018 Silsby D7/532
D833,818 S * 11/2018 Sletten D7/532
D850,192 S * 6/2019 Jacobsen D7/396.2
D875,471 S * 2/2020 Cheng D7/532
D902,991 S * 11/2020 Tivnon D18/50
D923,400 S * 6/2021 Wang D7/396.2
D939,279 S * 12/2021 Vierck D7/510
D939,281 S * 12/2021 Kim D7/510
D943,352 S * 2/2022 Liu D7/532
2017/0121074 A1 * 5/2017 Seiders B29C 45/1671
2020/0361672 A1 * 11/2020 Jinkins B65D 47/286

OTHER PUBLICATIONS

Author Unknown; THILY Wine Tumbler; Retrieved from https://www.amazon.com/Vacuum-Insulated-Stemless-Wine-Tumbler/dp/B07GXM26FF/ref=sr_1_2?crd=KBDIG6BAN3RQ&keywords=thily%2Bpearl%2Bwhite%2Bwine%2Bglass&qid=1663087401&srefix=thily%2Bpearl%2Bwhite%2Bwine%2Bglass%2Caps%2C148&sr=8-2&th=1 on Sep. 15, 2022; 3 pgs.

* cited by examiner

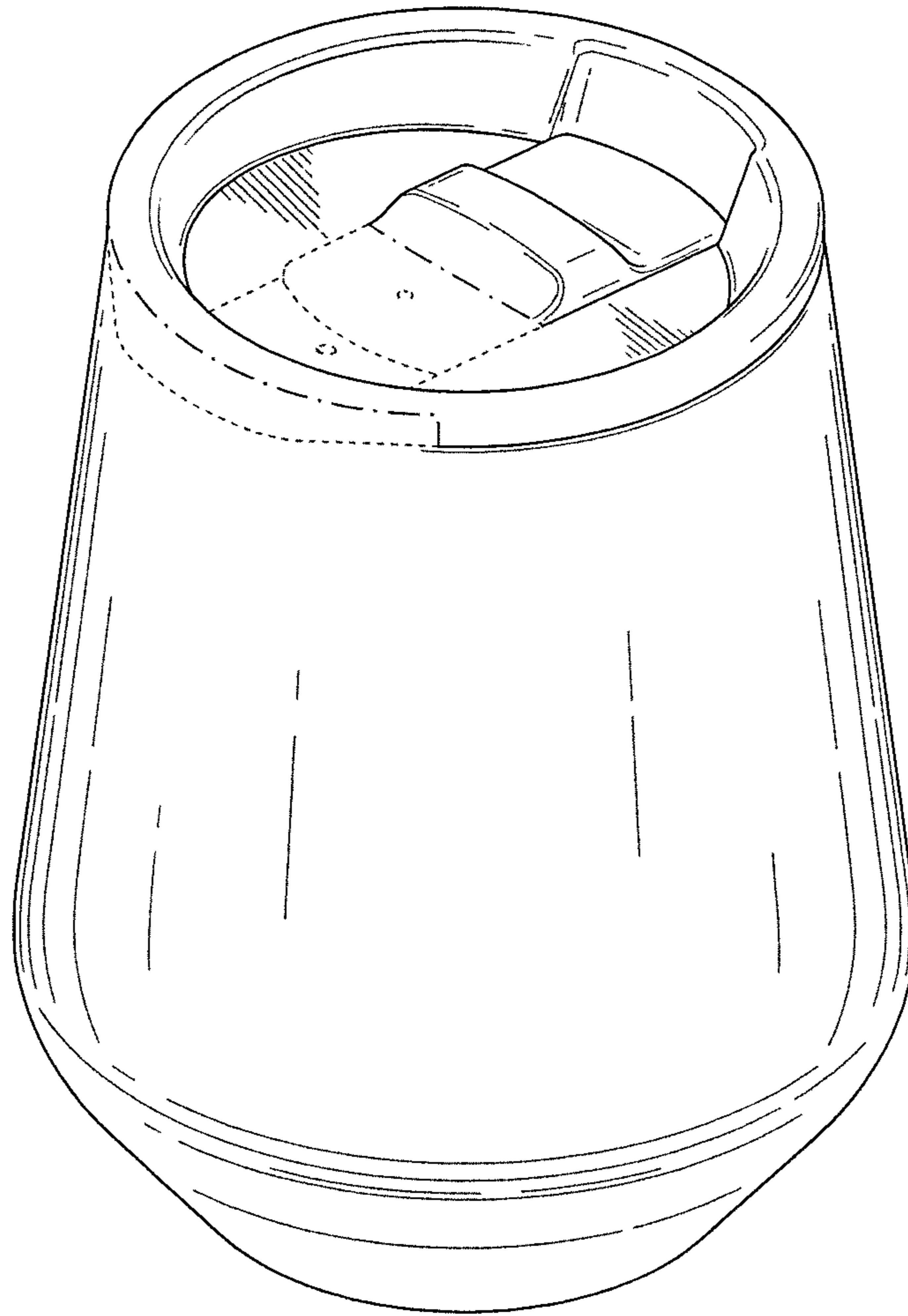


FIG. 1

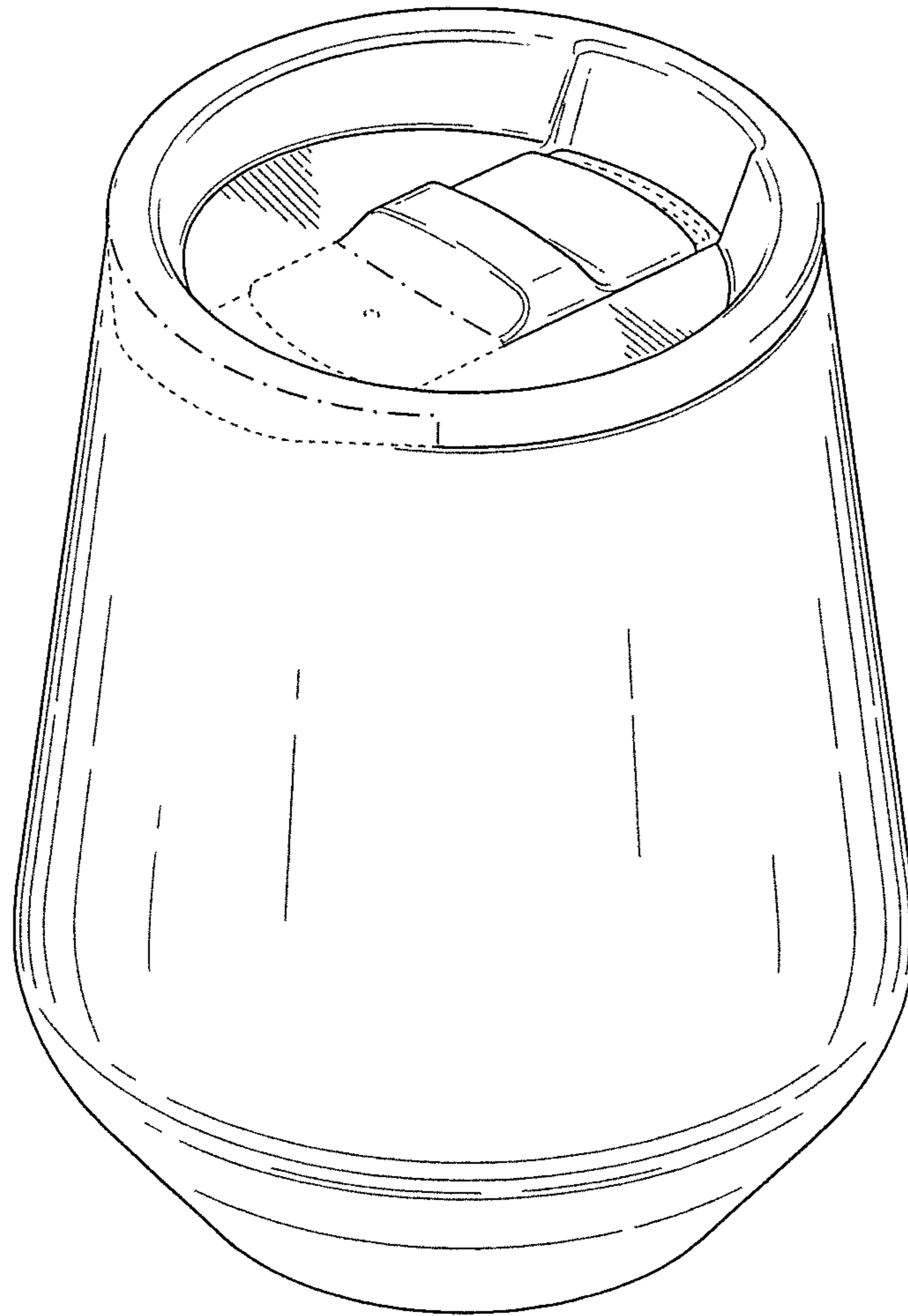


FIG. 2

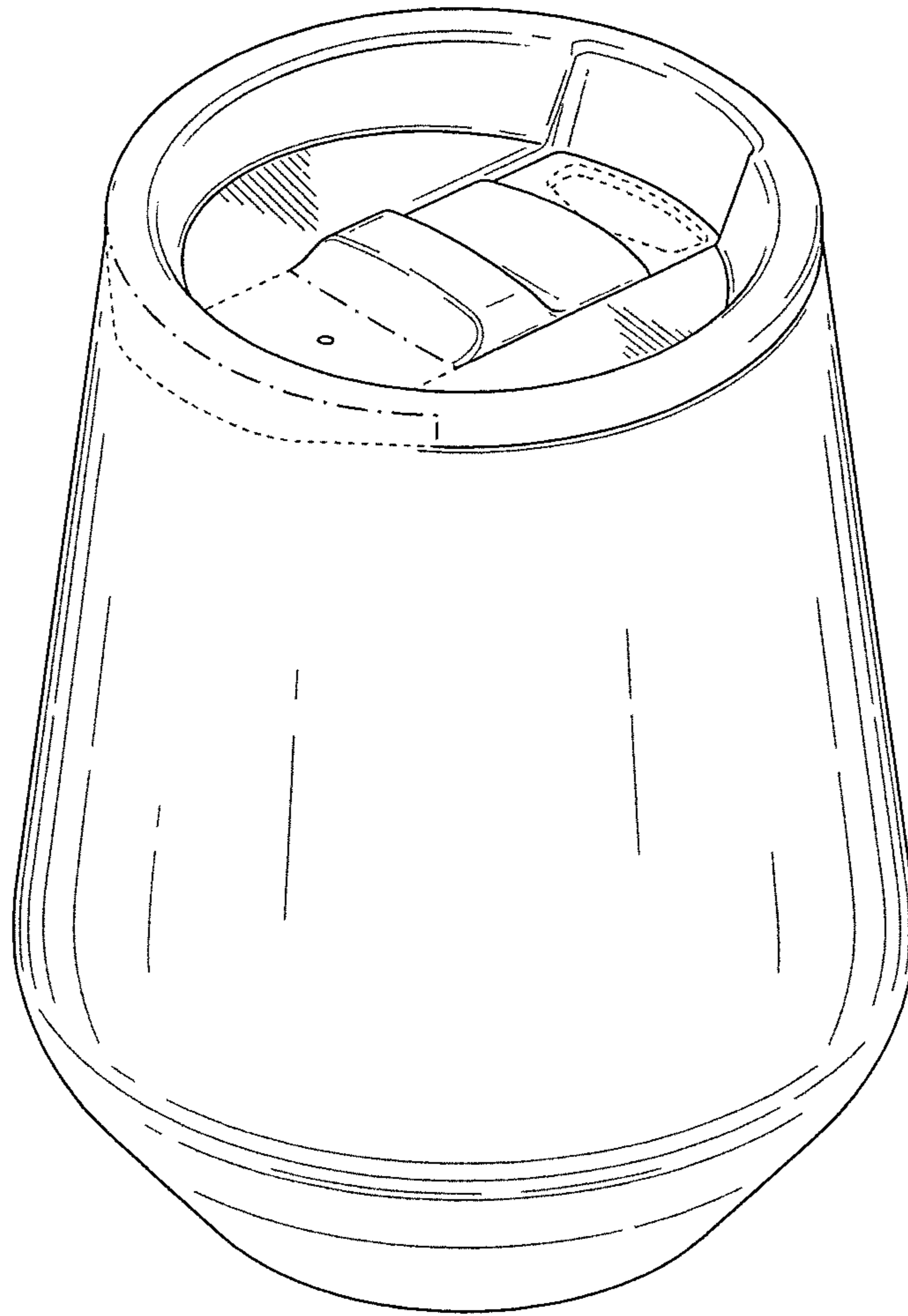


FIG. 3

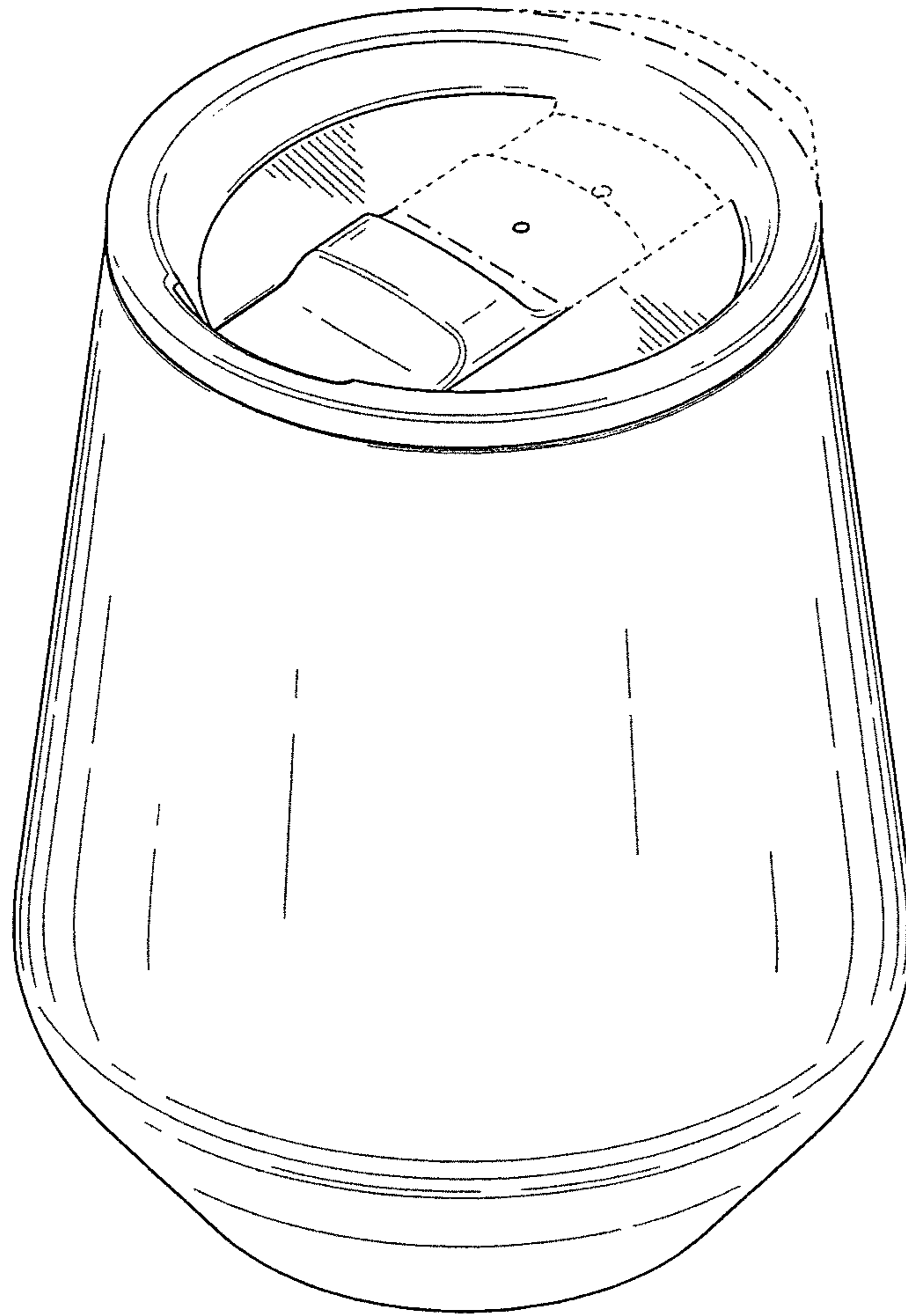


FIG. 4

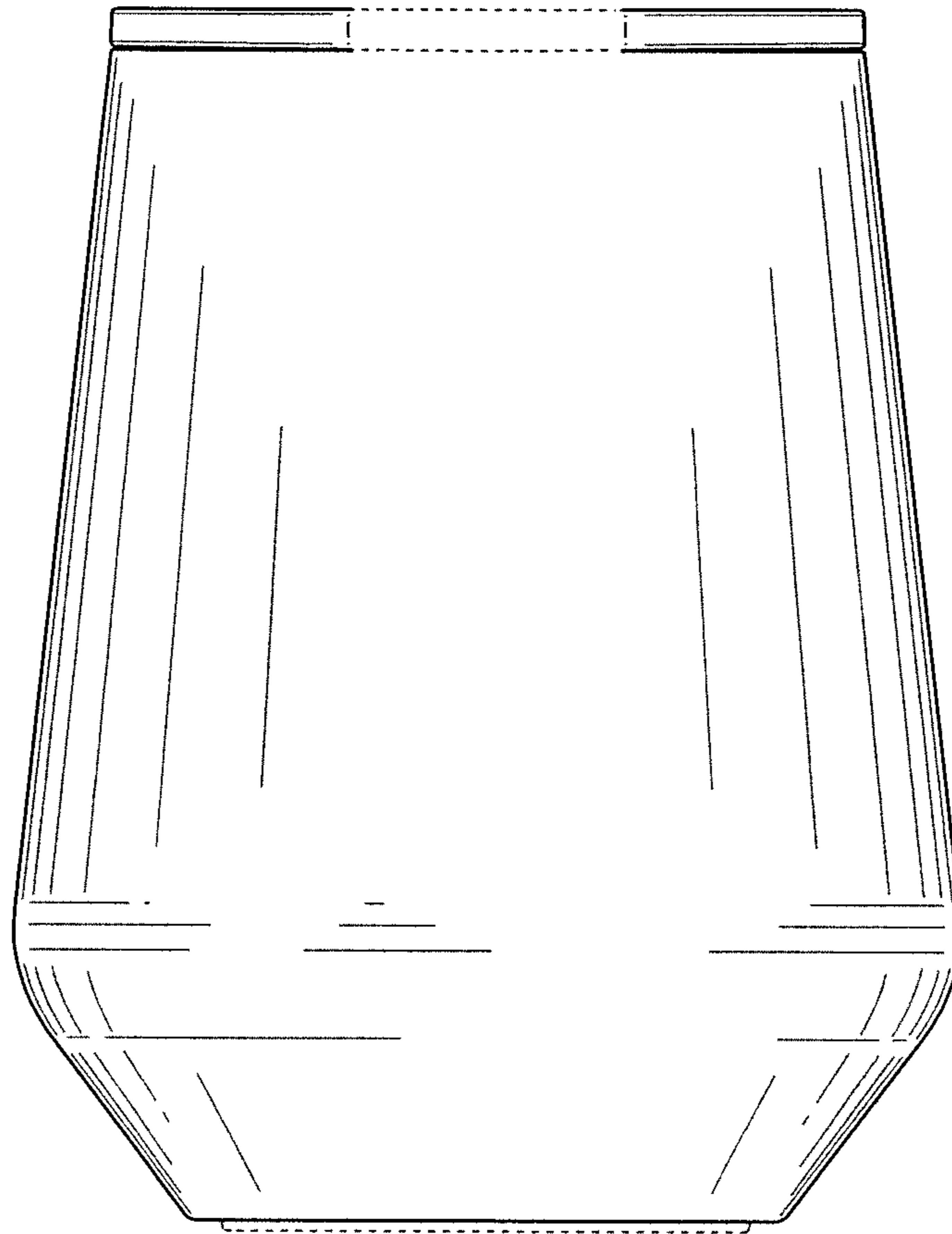


FIG. 5

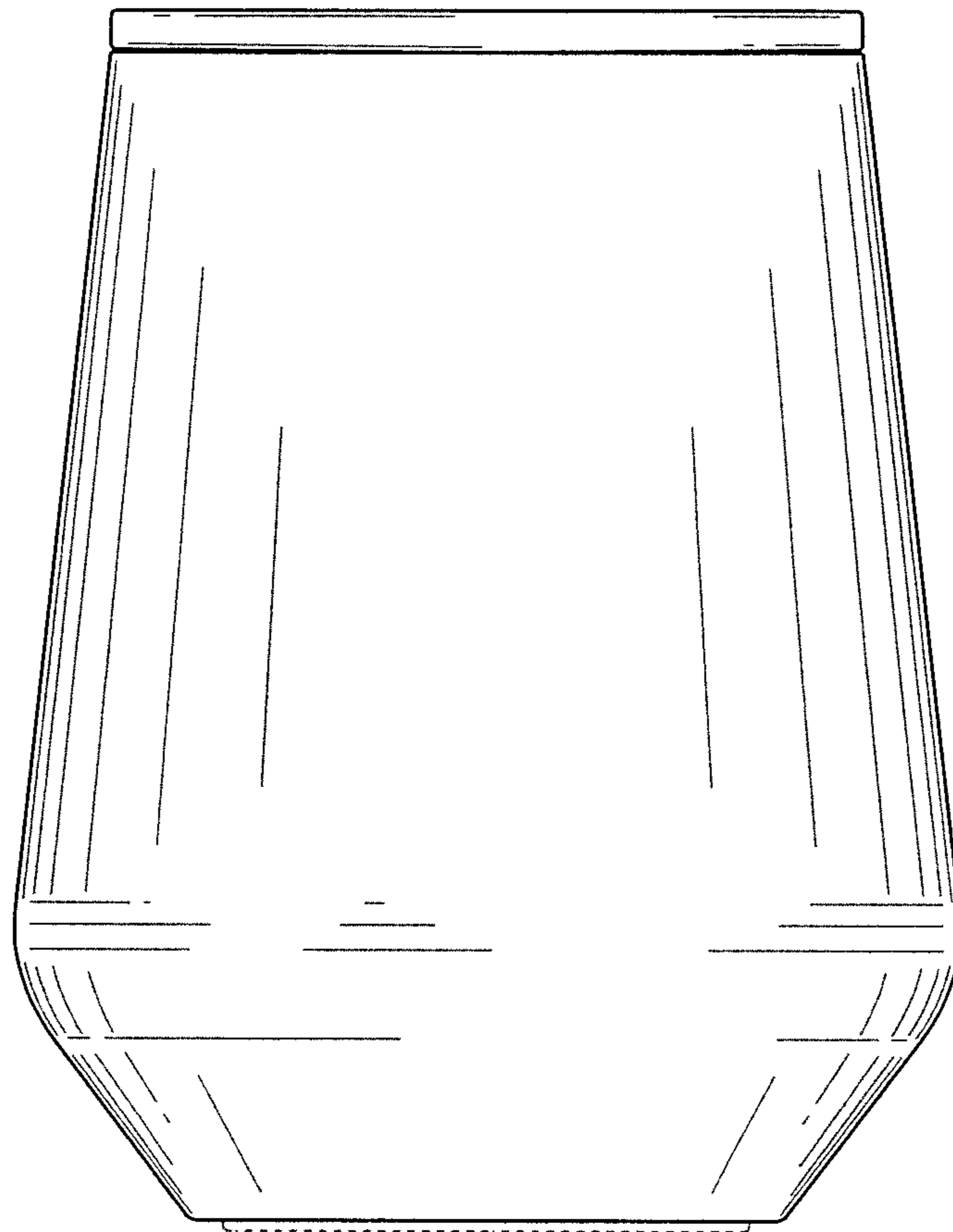


FIG. 6

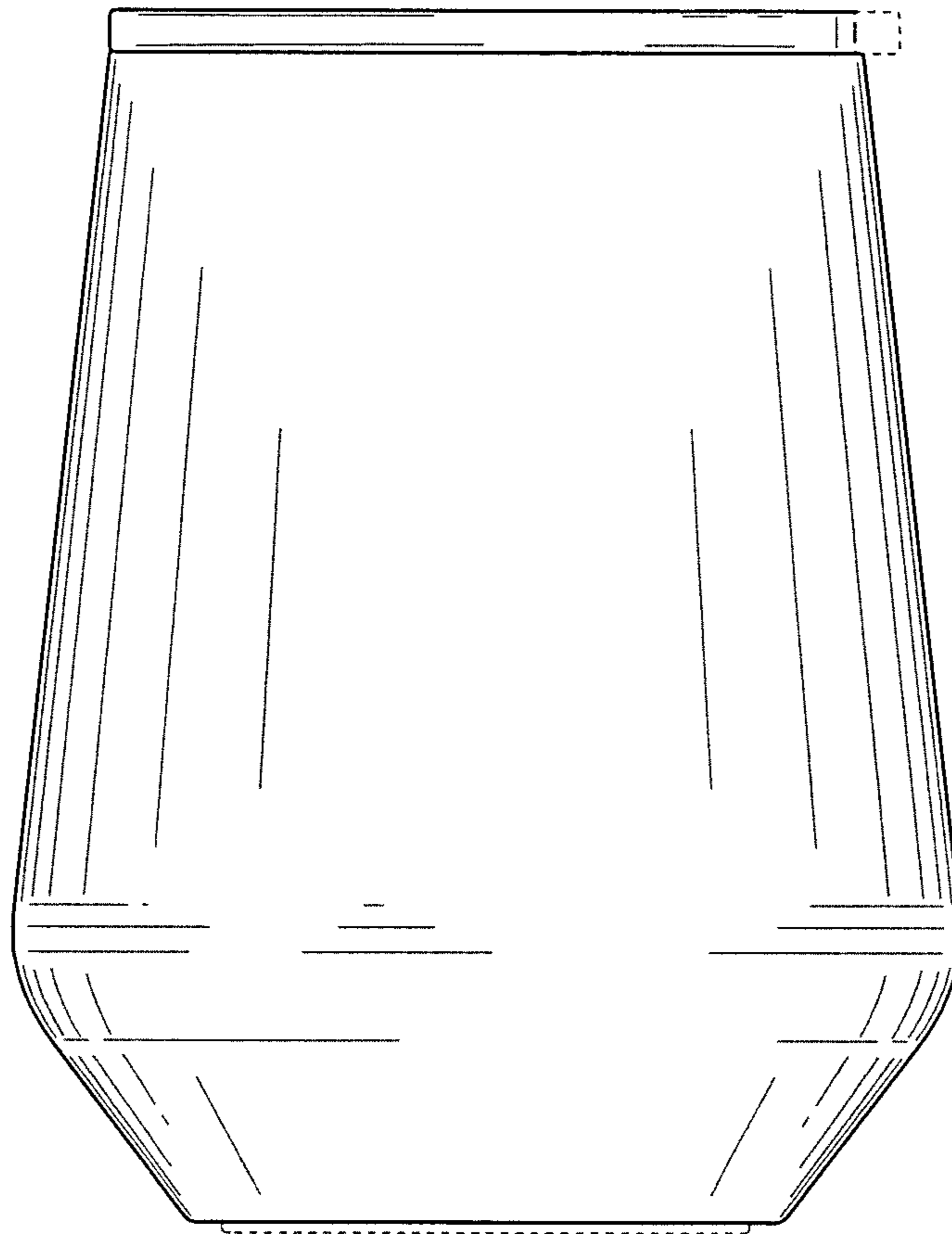


FIG. 7

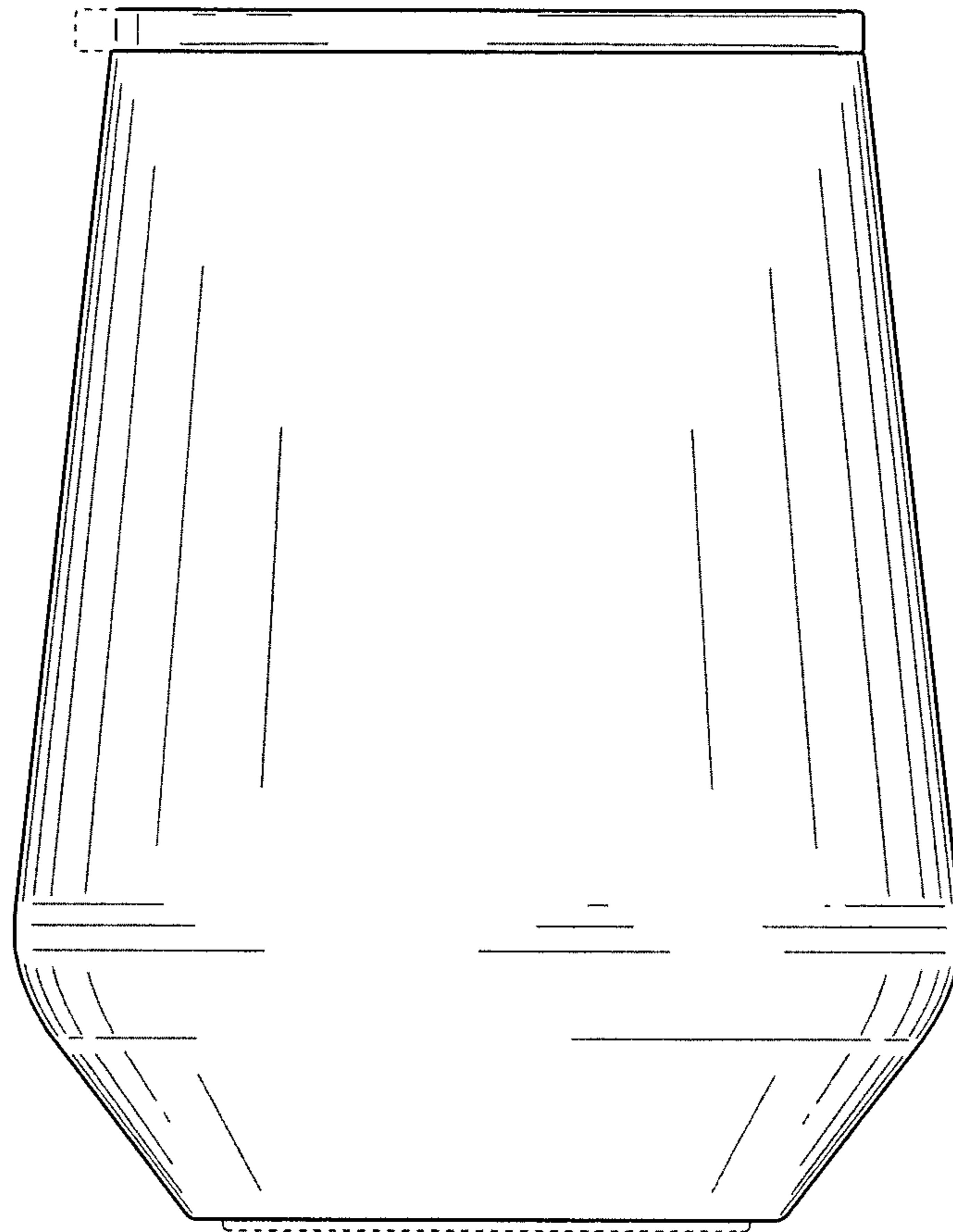


FIG. 8

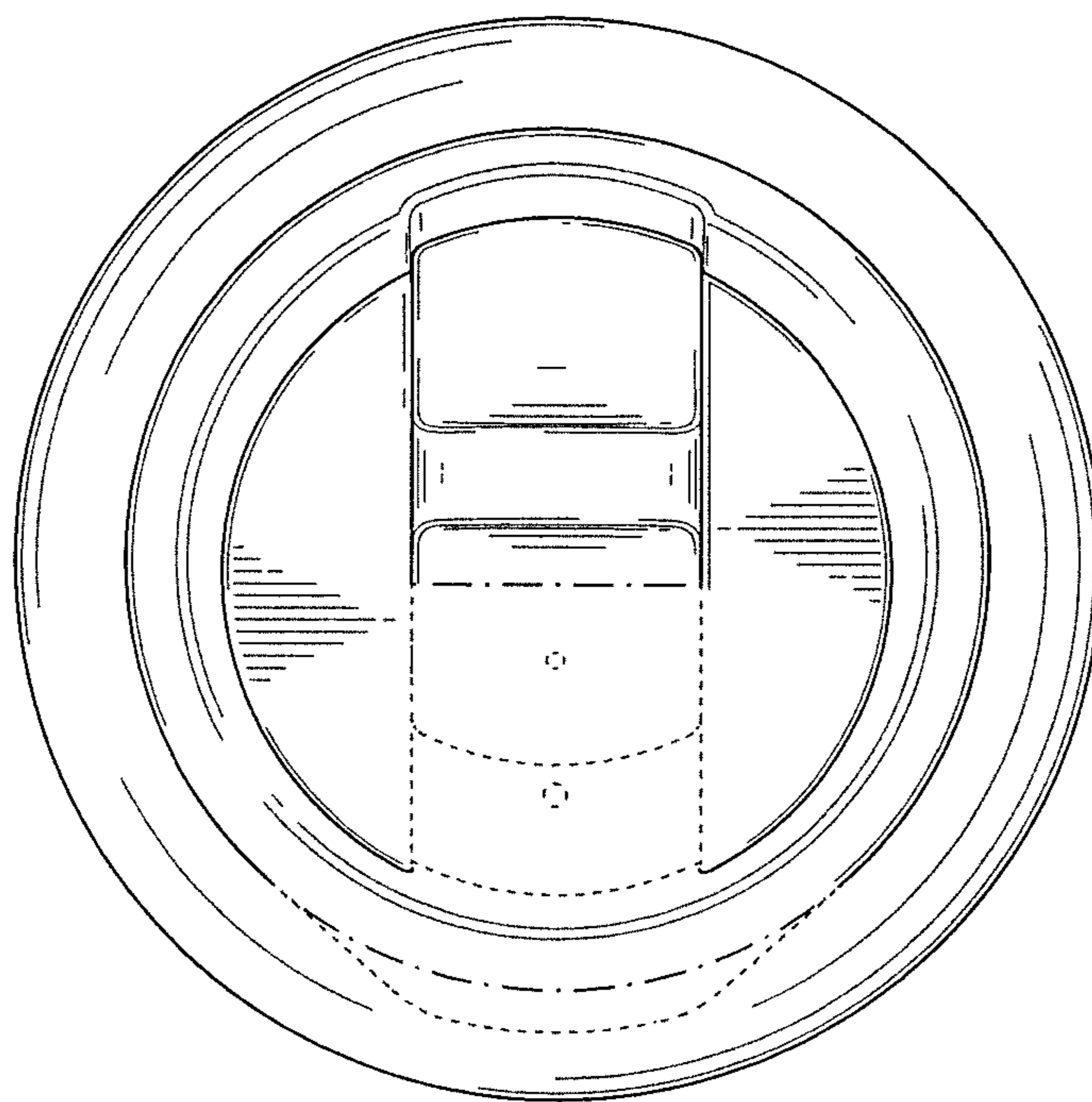


FIG. 9

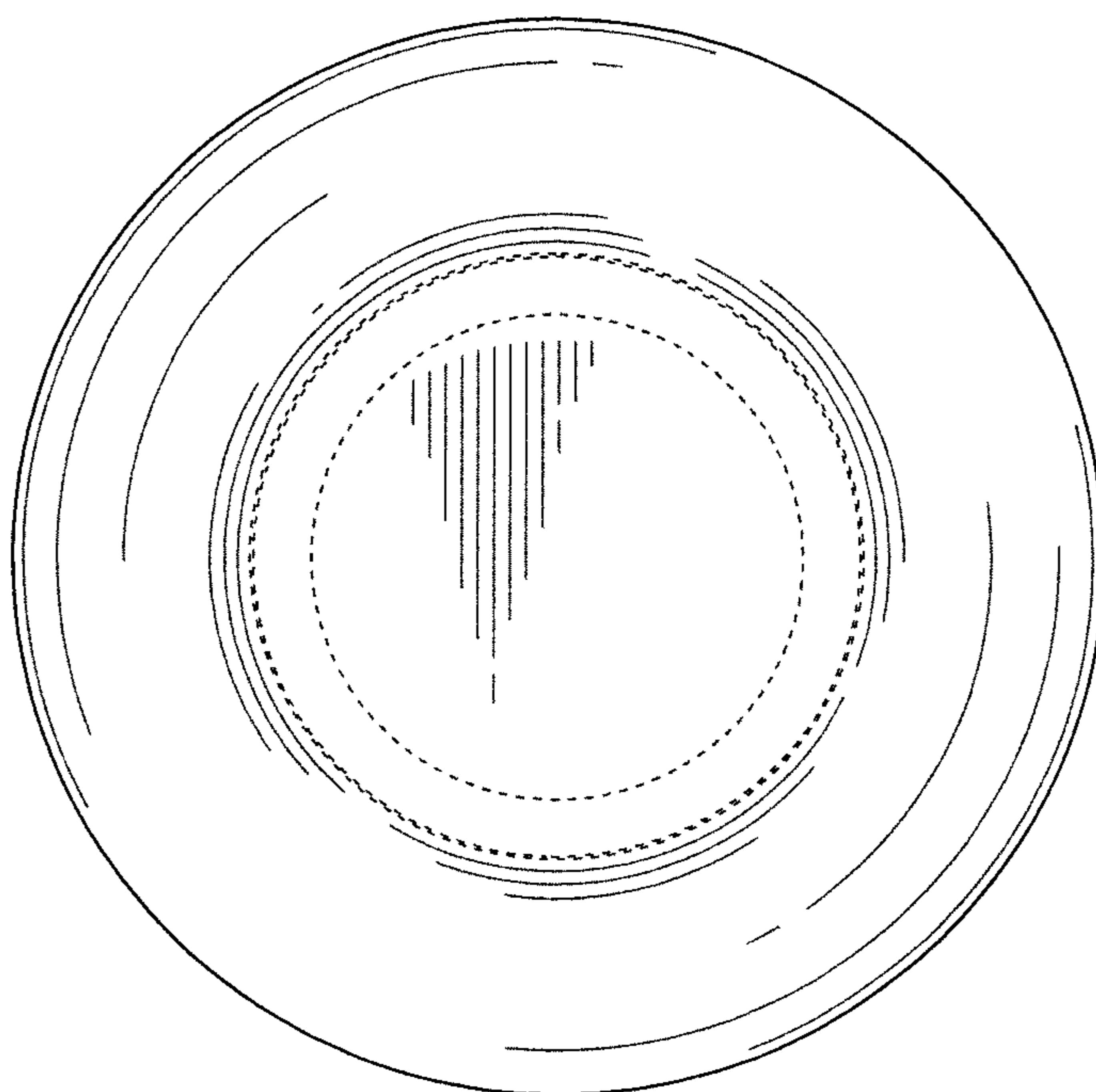


FIG. 10

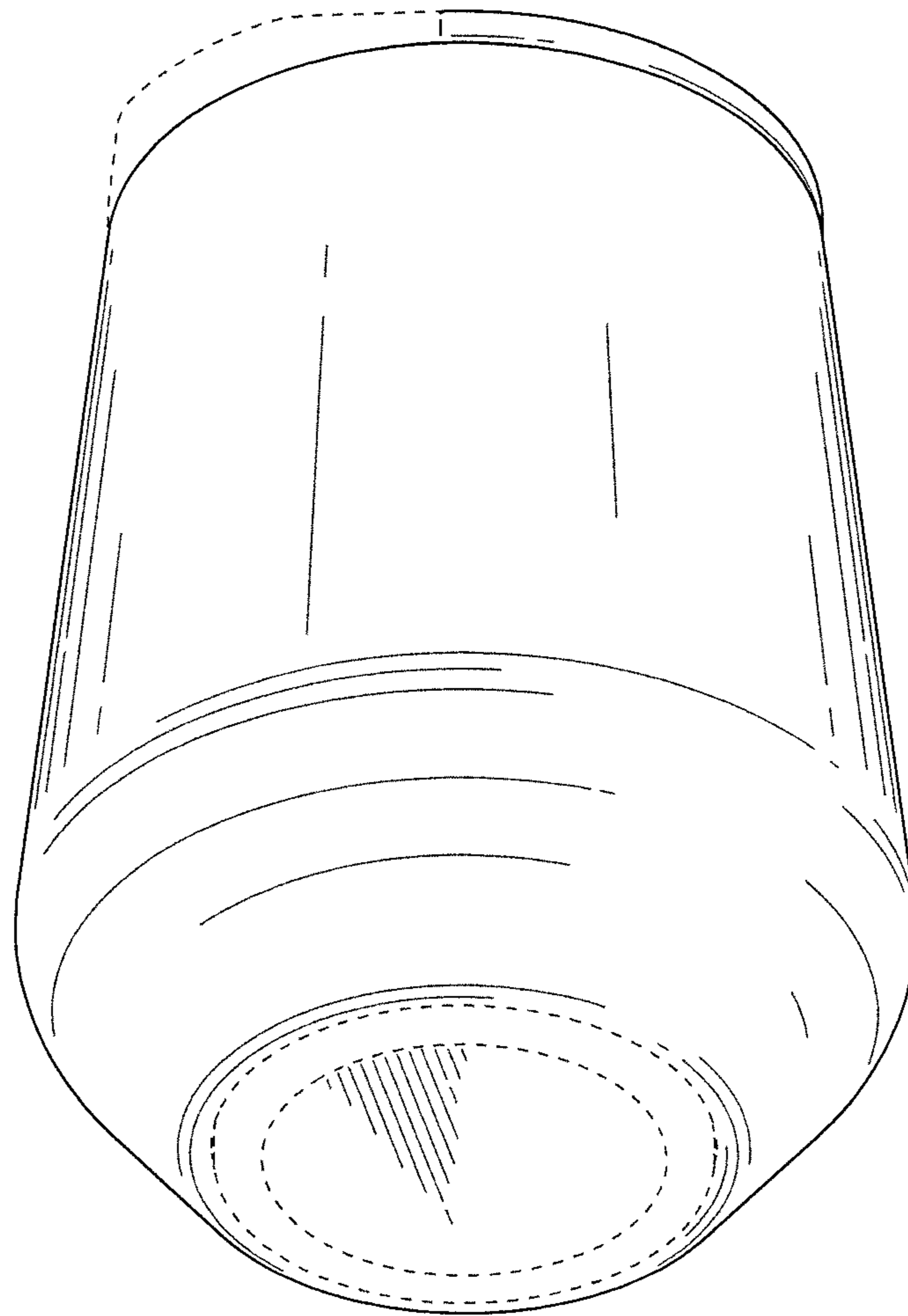


FIG. 11