



US00D975496S

(12) **United States Design Patent**
Melkonian

(10) **Patent No.:** **US D975,496 S**

(45) **Date of Patent:** **** Jan. 17, 2023**

(54) **HOT WATER PADDLE**

(71) Applicant: **Down Town Wholesalers, Inc.**, Vernon, CA (US)

(72) Inventor: **Arman Melkonian**, Granada Hills, CA (US)

(73) Assignee: **Brio Water Technology, Inc.**, City of Industry, CA (US)

(**) Term: **15 Years**

(21) Appl. No.: **29/756,750**

(22) Filed: **Oct. 30, 2020**

(51) **LOC (14) Cl.** **07-06**

(52) **U.S. Cl.**
USPC **D7/398**

(58) **Field of Classification Search**
USPC D7/397, 398, 399; D15/80, 81, 85, 86, D15/89, 91
CPC F25D 23/02; F25D 23/08; B67D 1/04; B67D 1/14
See application file for complete search history.

(56) **References Cited**

U.S. PATENT DOCUMENTS

D632,368 S * 2/2011 Kolar D23/250
D654,516 S * 2/2012 Saubert D15/89

D702,490 S * 4/2014 Sanchez D7/394
D715,336 S * 10/2014 Sin D15/89
D763,329 S * 8/2016 Seo D15/89
D771,159 S * 11/2016 Jeon D15/89
D829,047 S * 9/2018 Greenberg D7/398
D909,129 S * 2/2021 DeRuntz D7/398
D917,584 S * 4/2021 Yun D15/89

* cited by examiner

Primary Examiner — Andrew Kerr

(74) *Attorney, Agent, or Firm* — Foundation Law Group LLP; Sevag Demirjian; J D Harriman

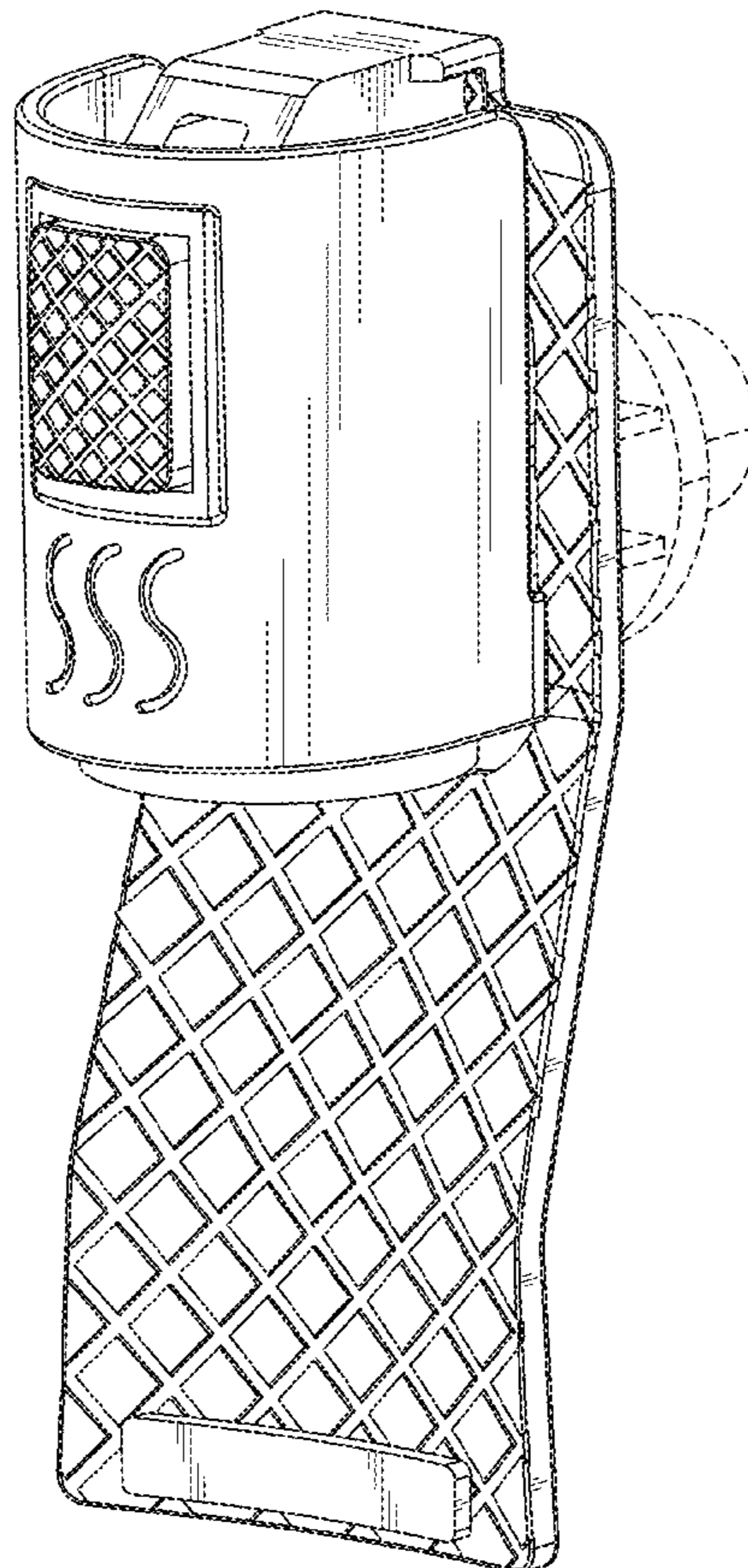
(57) **CLAIM**

I claim the ornamental design for a hot water paddle, as shown and described.

DESCRIPTION

FIG. 1 is a front perspective view of a hot water paddle, showing my new design;
FIG. 2 is a rear perspective view thereof;
FIG. 3 is a front elevation view thereof;
FIG. 4 is a rear elevation view thereof;
FIG. 5 is a right-side elevation view thereof;
FIG. 6 is a left-side view thereof;
FIG. 7 is a top plan view thereof; and,
FIG. 8 is a bottom plan view thereof.

1 Claim, 8 Drawing Sheets



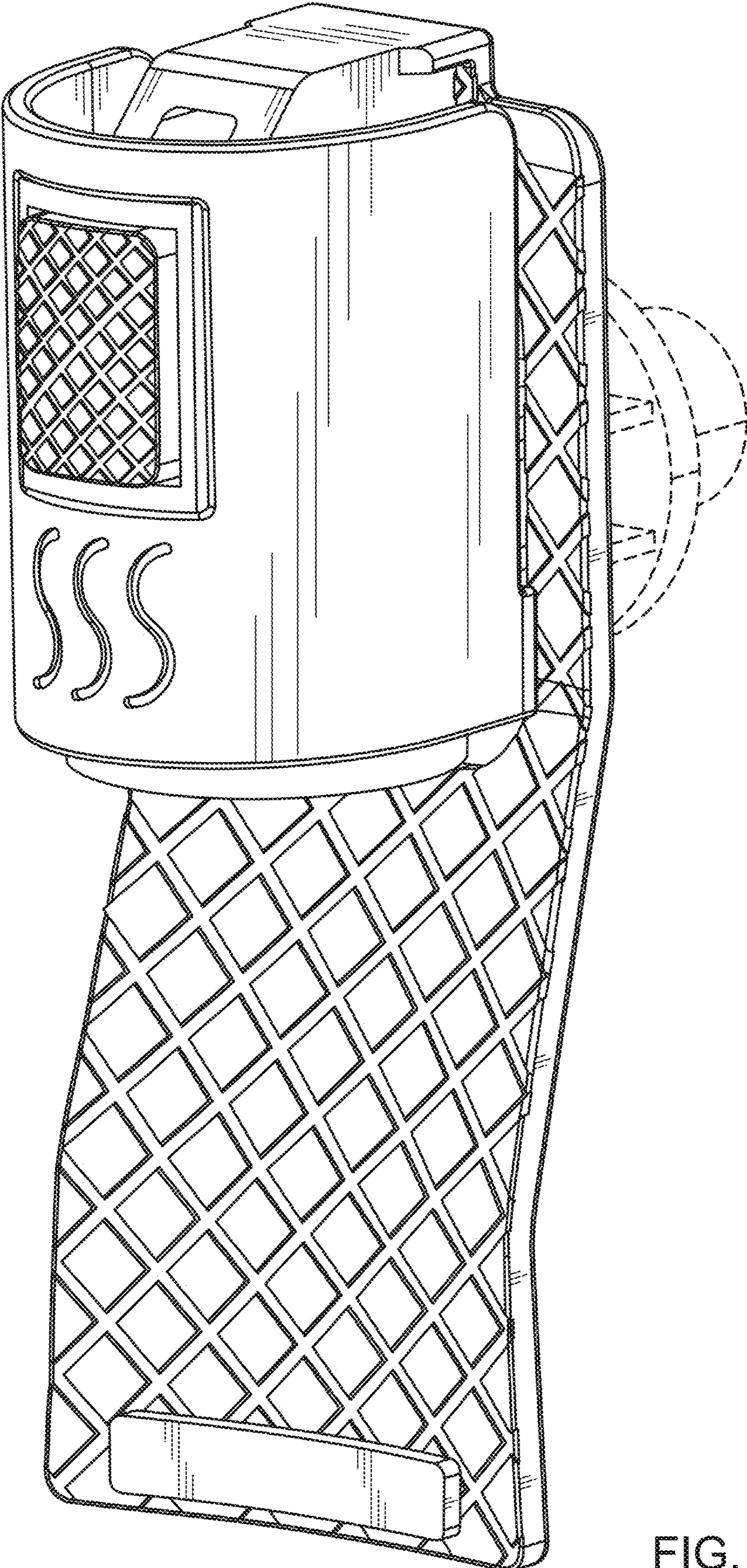


FIG. 1

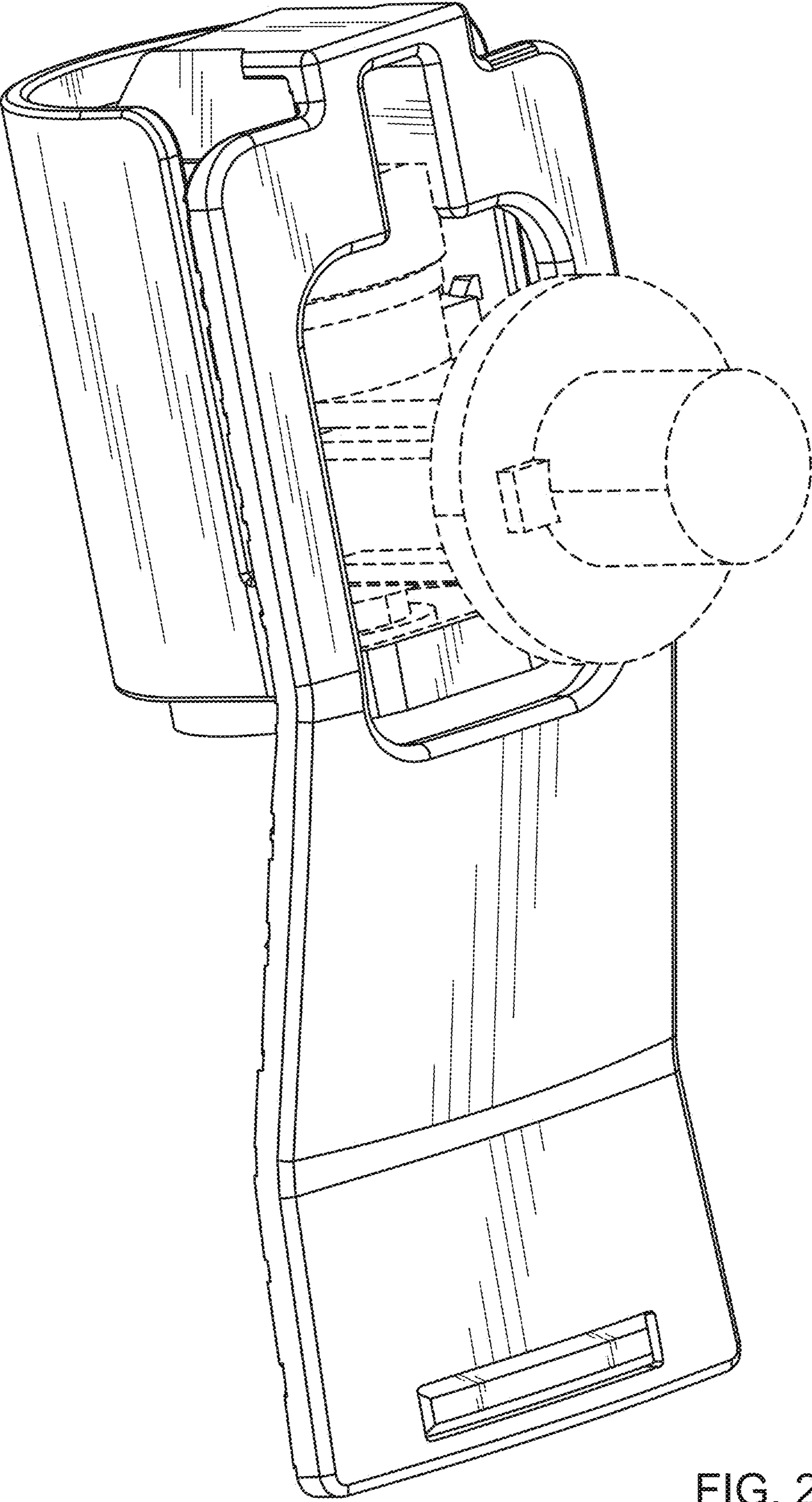


FIG. 2

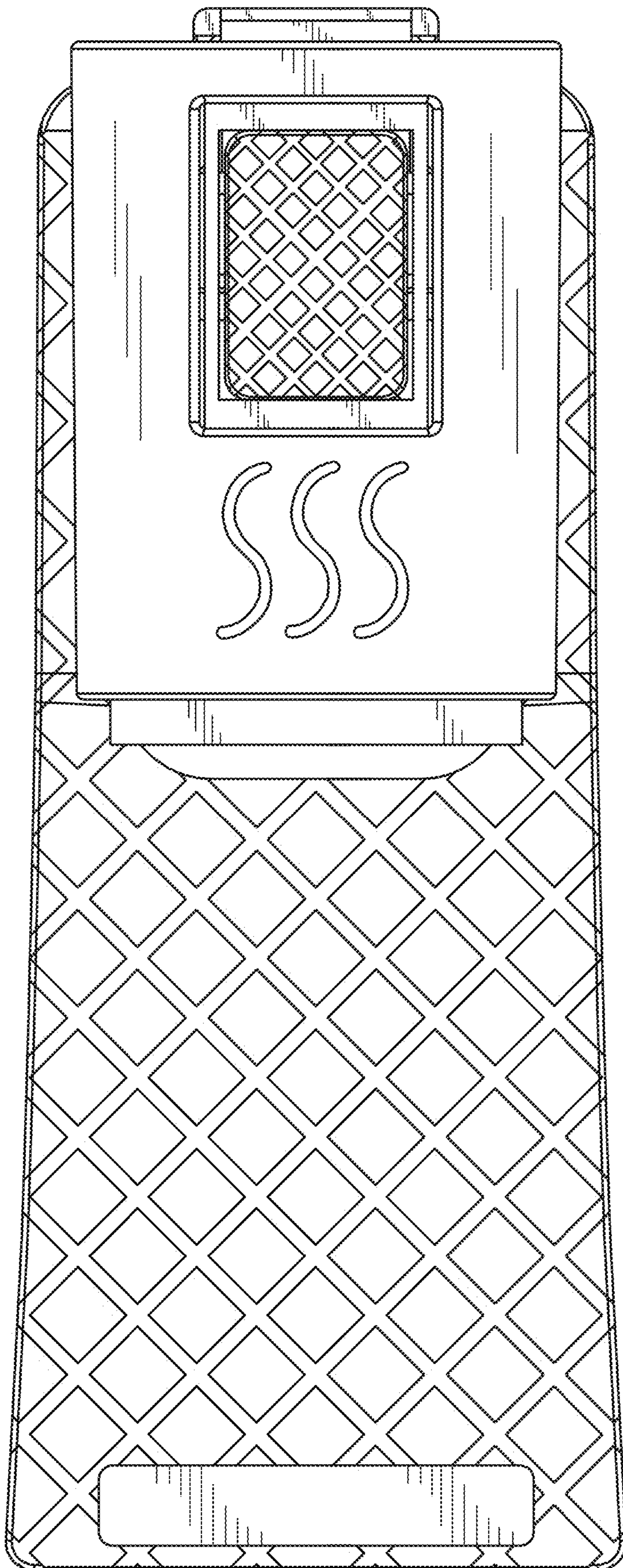


FIG. 3

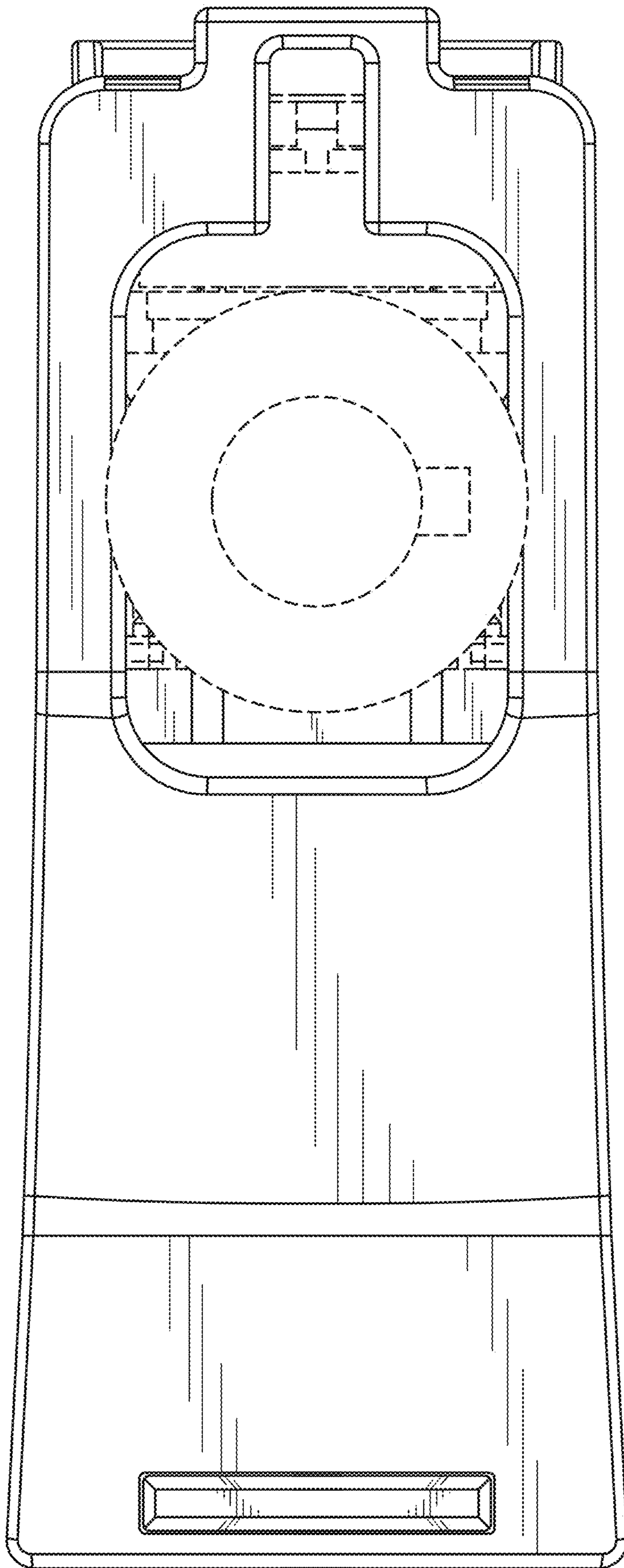


FIG. 4

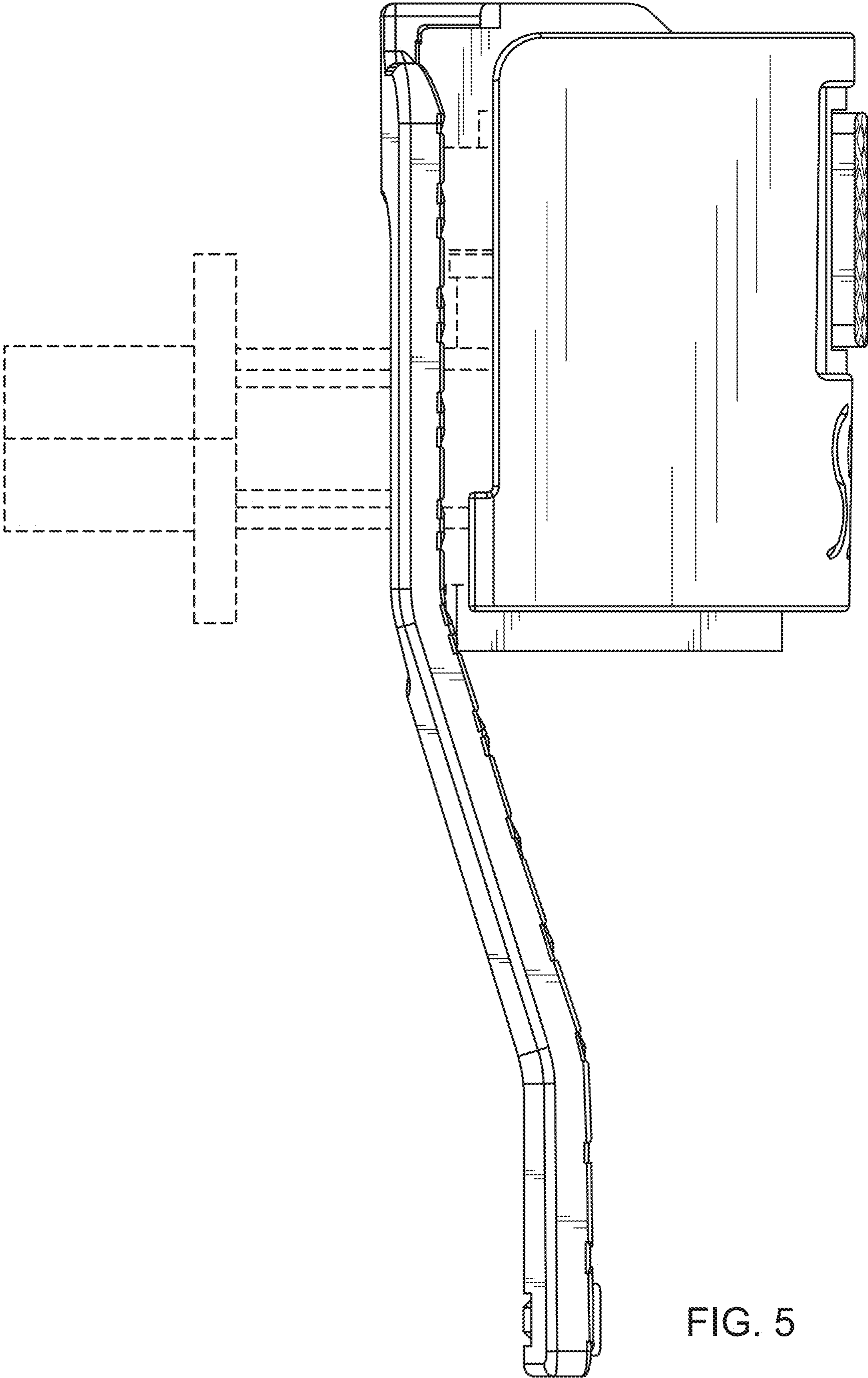


FIG. 5

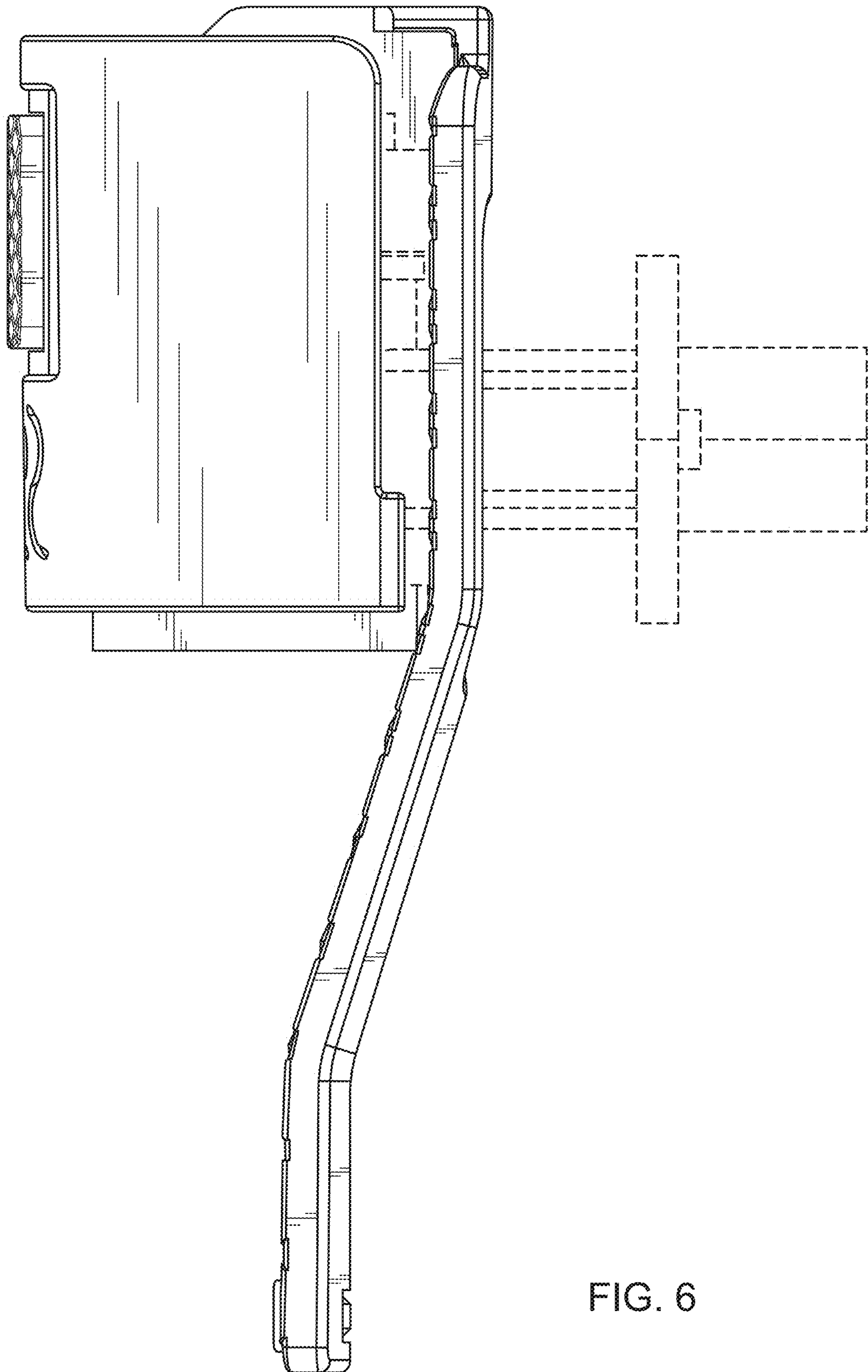


FIG. 6

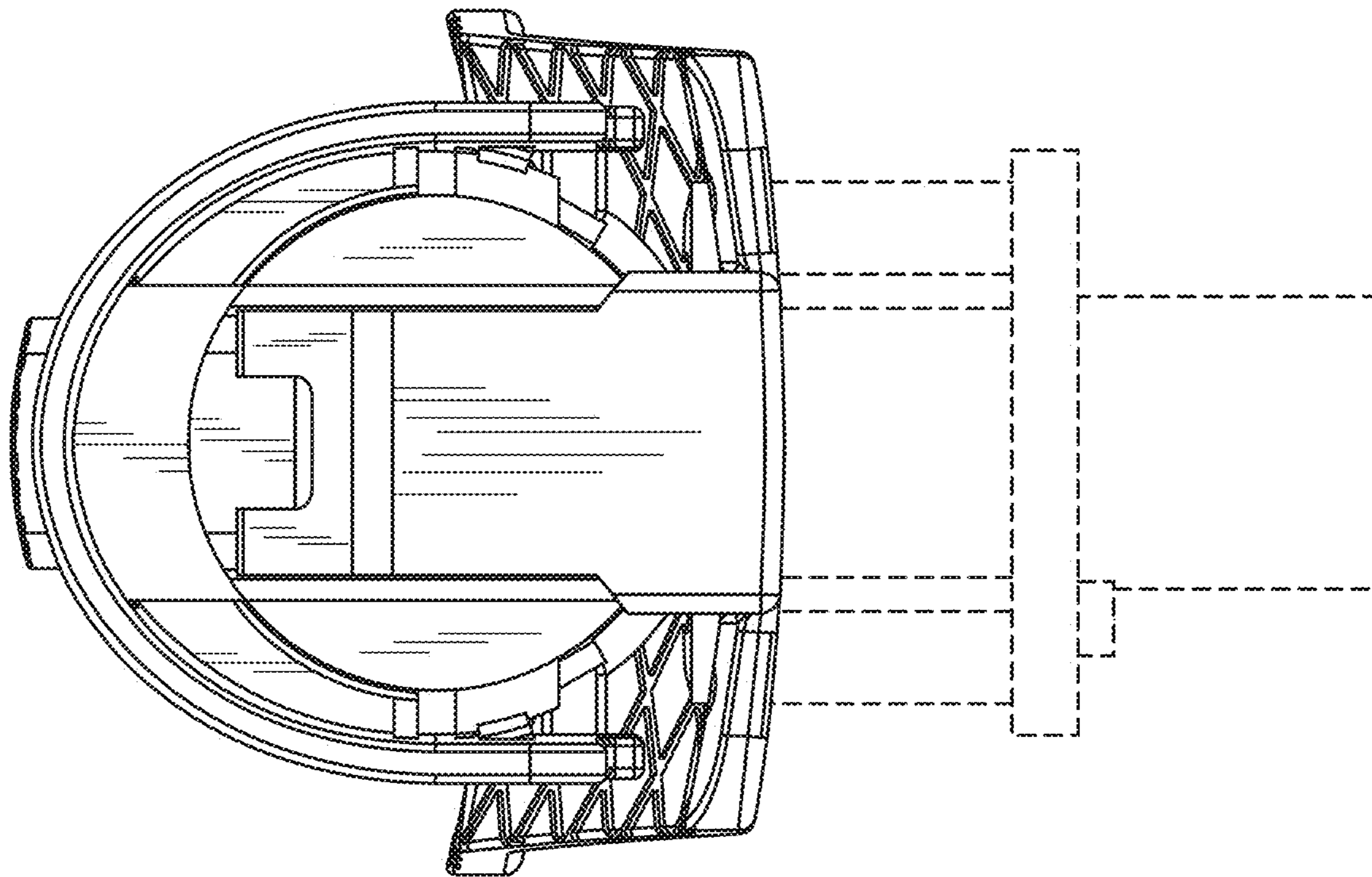


FIG. 7

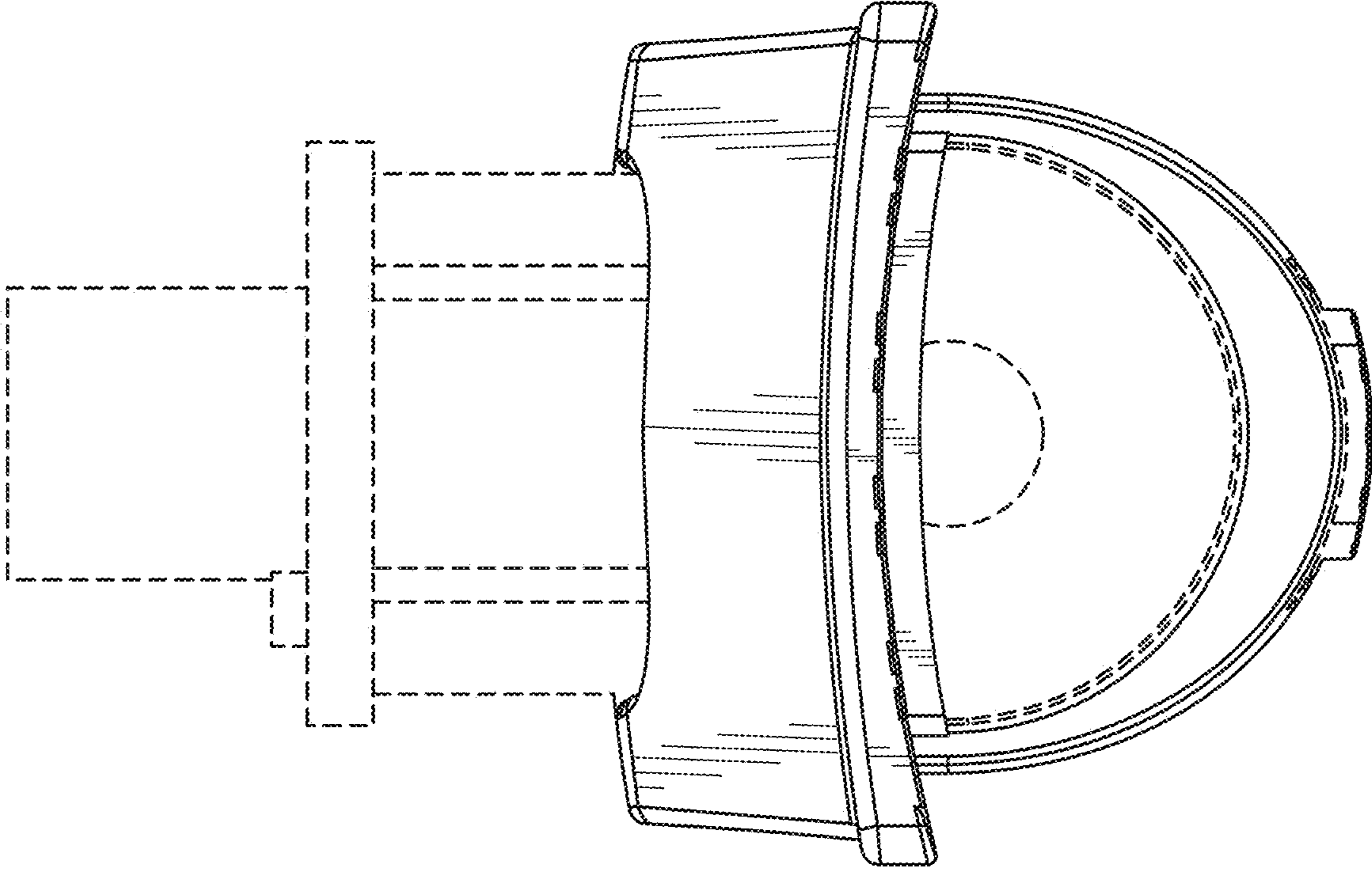


FIG. 8