



US00D975495S

(12) **United States Design Patent**
Olsen et al.

(10) **Patent No.:** **US D975,495 S**
(45) **Date of Patent:** **** Jan. 17, 2023**

(54) **COOKWARE LID WITH STRAINER**

(71) Applicant: **Lagom Kitchen Co.**, Culver City, CA (US)

(72) Inventors: **Melinda Olsen**, Los Angeles, CA (US);
Amir Tehrani, Los Angeles, CA (US);
Zachary Rosner, Los Angeles, CA (US);
Christopher Santone, Brooklyn, NY (US);
Hlynur Atlason, New York, NY (US)

(73) Assignee: **Lagom Kitchen Co.**, Culver City, CA (US)

(**) Term: **15 Years**

(21) Appl. No.: **29/777,516**

(22) Filed: **Apr. 6, 2021**

(51) **LOC (14) Cl.** **07-02**

(52) **U.S. Cl.**
USPC **D7/391**

(58) **Field of Classification Search**
USPC D7/323, 347, 354-364, 366, 369, 402,
D7/406, 387, 391, 393, 394, 395, 396,
D7/409, 500, 512, 545, 602, 622, 624.1,
D7/629, 647, 667, 669, 678, 688, 700,
D7/705; D8/80, 83, 94, 97, 107, 300,
D8/310, 315, 320, 321; D6/329, 641,
D6/663, 672, 702
CPC A47J 17/04; A47J 19/00; A47J 19/005;
A47J 19/027; A47J 2202/00; A47J
2027/008; A47J 2027/043; A47J
2027/046; A47J 27/00; A47J 27/004;
A47J 27/04; A47J 27/05; A47J 27/06;
A47J 27/08; A47J

(Continued)

(56) **References Cited**

U.S. PATENT DOCUMENTS

38,238 A * 4/1863 Milliken A47J 37/10
99/425
534,138 A * 2/1895 Cleary A47J 37/106
99/347

(Continued)

FOREIGN PATENT DOCUMENTS

CA 2 455 023 A1 9/2004
CN 306508823 * 5/2021

(Continued)

OTHER PUBLICATIONS

Keiponnol Enamel Coated Cast Iron, posted Nov. 18, 2021 [online],
[retrieved Aug. 22, 2022]. Retrieved from internet, <https://www.amazon.com/KEIPONNOL-Enamel-Coated-Natural-Non-Stick/dp/B09DV4F1WB> (Year: 2021).*

(Continued)

Primary Examiner — Nicole C Shiflet

Assistant Examiner — Yen Le Southwood

(74) *Attorney, Agent, or Firm* — Banner & Witcoff, Ltd.

(57) **CLAIM**

The ornamental design for a cookware lid with strainer, as shown and described.

DESCRIPTION

FIG. 1 is a top perspective view of one embodiment of a cookware lid with strainer showing our design;
FIG. 2 is a bottom perspective view thereof;
FIG. 3 is a front elevation view thereof, the rear elevation view being a mirror image thereof;
FIG. 4 is a left side elevation view thereof;
FIG. 5 is a right side elevation view thereof;

(Continued)

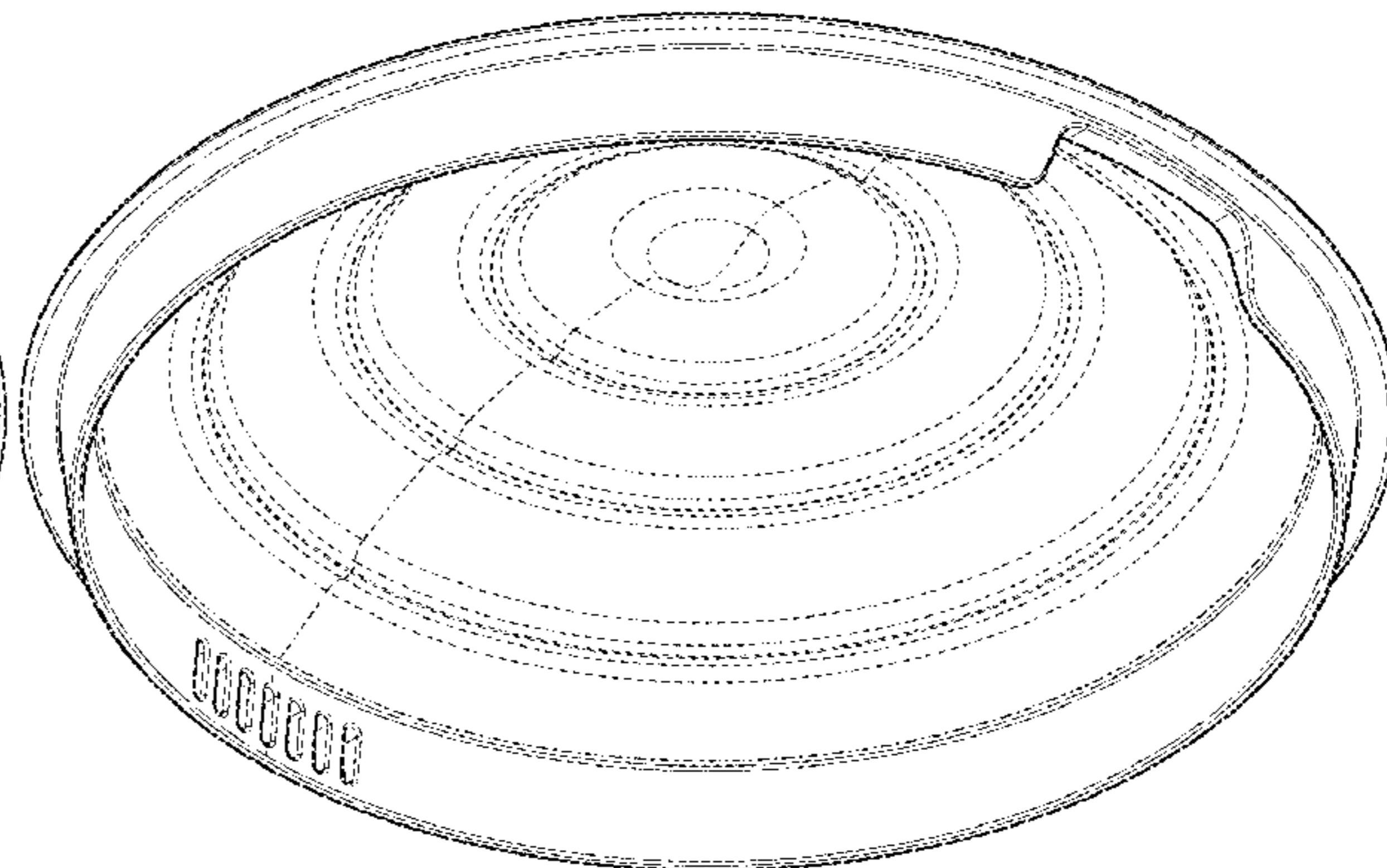
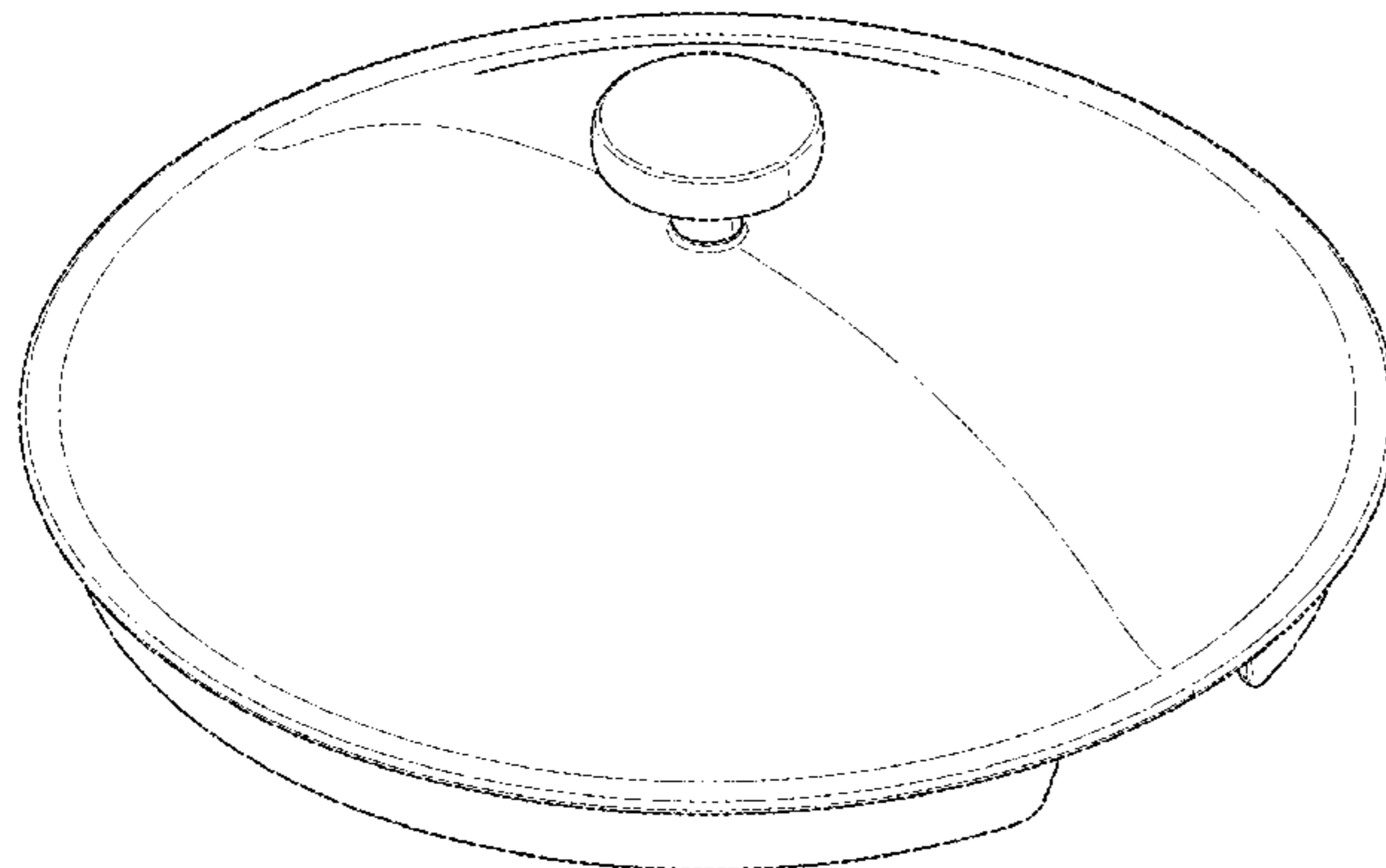


FIG. 6 is a top plan view thereof; and, FIG. 7 is a bottom view thereof. The dotted lines represent portions of the cookware lid with strainer that form no part of the claimed design, while the dot-dash-dot line forms a boundary between the claimed and unclaimed subject matter.

1 Claim, 4 Drawing Sheets

(58) Field of Classification Search

CPC 27/0802; A47J 27/0804; A47J 27/0815; A47J 27/09; A47J 27/092; A47J 27/13; A47J 27/17; A47J 27/60; A47J 36/10; A47J 36/12; A47J 36/14; A47J 36/025; A47J 36/08; A47J 36/06; A47J 36/064; A47J 36/165; A47J 36/20; A47J 37/00; A47J 37/01; A47J 37/061; A47J 37/10; A47J 37/12; A47J 37/1204; A47J 37/1209; A47J 37/101; A47J 37/103; A47J 37/105; A47J 37/1295; A47J 43/22; A47J 43/24; A47J 43/25; A47J 43/28; A47J 43/288; A47J 43/284; A47J 43/286; A47J 45/061; A47J 45/07; A47J 45/071; A47J 45/077; A47J 45/10

See application file for complete search history.

(56) References Cited

U.S. PATENT DOCUMENTS

837,902 A * 12/1906 Greth B01D 24/12
210/118
D41,717 S 8/1911 Swan
1,465,995 A * 8/1923 Pearson A47J 27/004
219/544
1,645,818 A * 10/1927 Overboe A01J 9/02
210/474
D120,409 S * 5/1940 Myers 131/240.1
2,303,841 A * 12/1942 Kircher A47J 36/08
222/545
2,556,106 A * 6/1951 Roberts A47J 27/004
219/452.11
2,572,131 A * 10/1951 Galloway B01D 29/66
210/342
2,662,717 A * 12/1953 Johnson A47J 47/16
211/32
D219,531 S * 12/1970 Solomon D7/391
4,013,869 A * 3/1977 Orts A47J 27/004
126/369
4,117,950 A * 10/1978 Allen B29C 45/0046
D7/391
4,310,418 A 1/1982 Busbey
D274,402 S * 6/1984 Ziskind D7/391
D363,851 S 11/1995 Chen
D370,826 S 6/1996 Thurlow
D379,922 S * 6/1997 Adams D8/499
5,788,293 A * 8/1998 Krenzler B03B 5/02
209/444
D409,878 S * 5/1999 Burton D7/410
D417,582 S * 12/1999 Joergensen D7/391
D452,413 S * 12/2001 Rae D7/393
D469,655 S 2/2003 Ryan et al.
6,848,592 B2 2/2005 Logiudice
D560,964 S * 2/2008 Hoff D7/393

D580,214 S 11/2008 Dodane
D587,062 S 2/2009 Ek
D587,519 S 3/2009 Cheng et al.
D646,967 S * 10/2011 Tamshe D9/425
8,281,709 B2 * 10/2012 Sacherman A47J 37/067
99/449
D733,493 S * 7/2015 Barberi D7/393
D756,163 S 5/2016 Gabbay
D797,494 S 9/2017 Mirchandani et al.
D819,393 S 6/2018 Dodane
D850,186 S 6/2019 Livingston
D852,576 S 7/2019 Jamison et al.
D879,546 S 3/2020 Hollinger
D880,222 S 4/2020 Hollinger
D883,731 S 5/2020 Tsai
D888,490 S 6/2020 Li
D924,622 S * 7/2021 Turner D7/354
D940,531 S * 1/2022 Anderson D8/310
D956,510 S * 7/2022 Mersky D8/310
2008/0196599 A1 * 8/2008 Bhagat A47J 27/21191
99/444
2009/0064868 A1 * 3/2009 Cartossi A47J 27/0813
99/337
2013/0037553 A1 2/2013 Bourbeau et al.
2014/0224790 A1 * 8/2014 Kimura A47J 36/027
219/735
2018/0368625 A1 12/2018 Wada et al.
2022/0133082 A1 * 5/2022 Tehrani A47J 27/04
220/573.1

FOREIGN PATENT DOCUMENTS

CN 306528079 * 5/2021
DE 85 21 152 U1 12/1985
EM 007538731-0002 A1 5/2020
EP 2 976 977 A1 1/2016
GB 9008202295-0003 * 10/2020
RU 2 264 152 C1 11/2005
WO D216612-001 * 11/2021
WO D216612-002 * 11/2021

OTHER PUBLICATIONS

Our Place (@ourplace) Perfect Pot, posted Aug. 16, 2021 [online], [retrieved Aug. 22, 2022]. Retrieved from internet, <https://www.instagram.com/p/CSotyGriRvG/> (Year: 2021).*

Visions Dutch Oven Glass Lid, posted Sep. 7, 2019 [online], [retrieved Aug. 22, 2022]. Retrieved from internet, <https://www.amazon.com/Visions-1122302-Liter-Dutch-Glass/dp/B07XZNFBC9> (Year: 2019).*

International Search Report and Written Opinion of the International Searching Authority issued by the Federal Institute of Industrial Property for corresponding International Patent Application No. PCT/US 2020/042498, dated Oct. 15, 2020.

“Always Pan”, announced Dec. 16, 2019 [online], retrieved Sep. 25, 2020 from Internet, https://fromourplace.com/products/always-essential-cooking-panutm_source=pepperjam&utm_medium=affiliate&utm_campaign=200286&clickid=3276306738.

“These Designers Created a Pan That Is Able to Replace Most of Your Cookware by Itself”, announced Nov. 28, 2019 [online], retrieved Sep. 25, 2020 from Internet, <https://fortune.com/2019/11/28/our-place-always-pan-cookware-design/>.

A Pan for Just About Anything, announced Sep. 23, 2019 [online], retrieved Sep. 25, 2020 from Internet, <https://www.nytimes.com/2019/09/23/di-ni-ng/always-pan-from-our-place.html>.

* cited by examiner

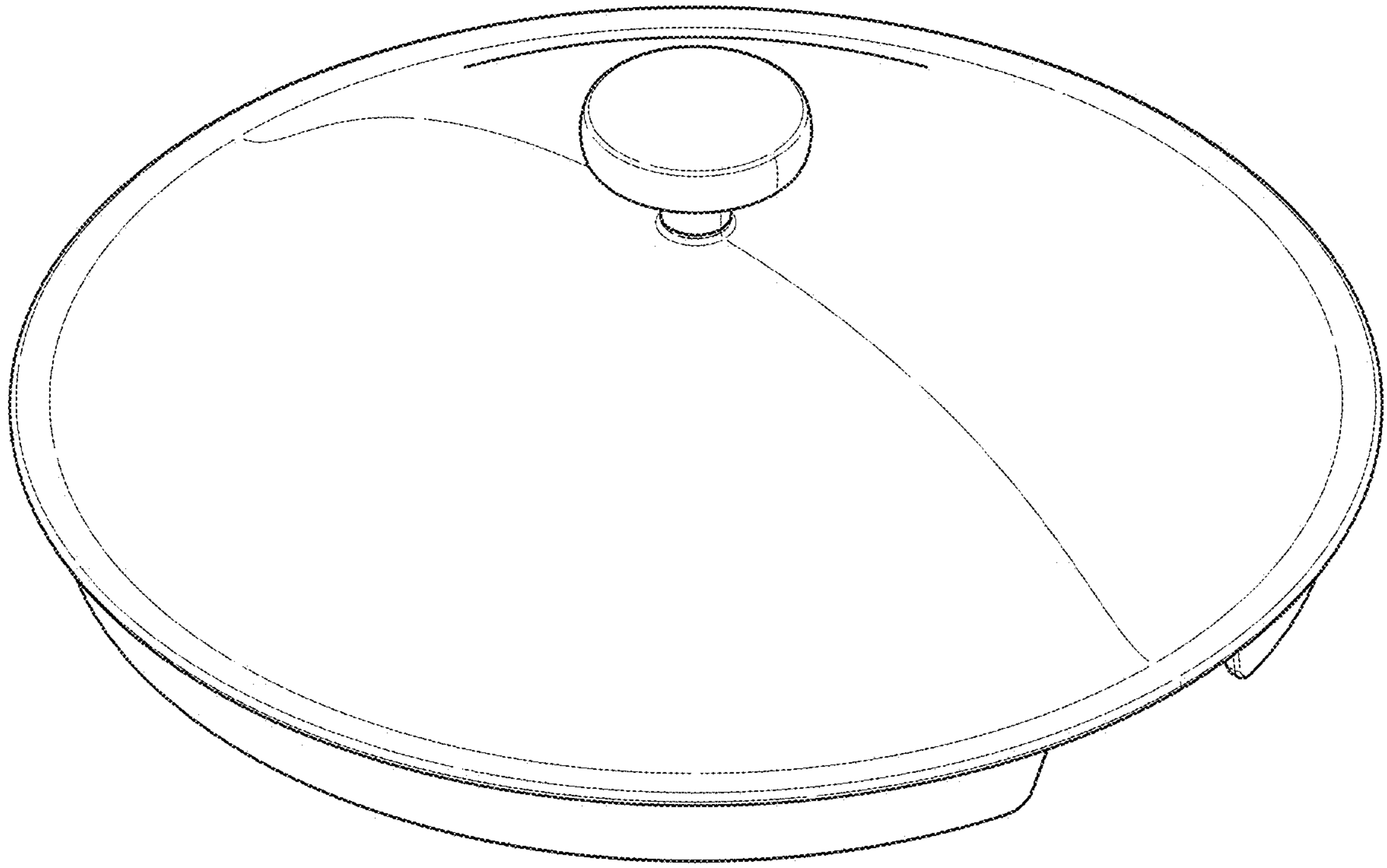


FIG. 1

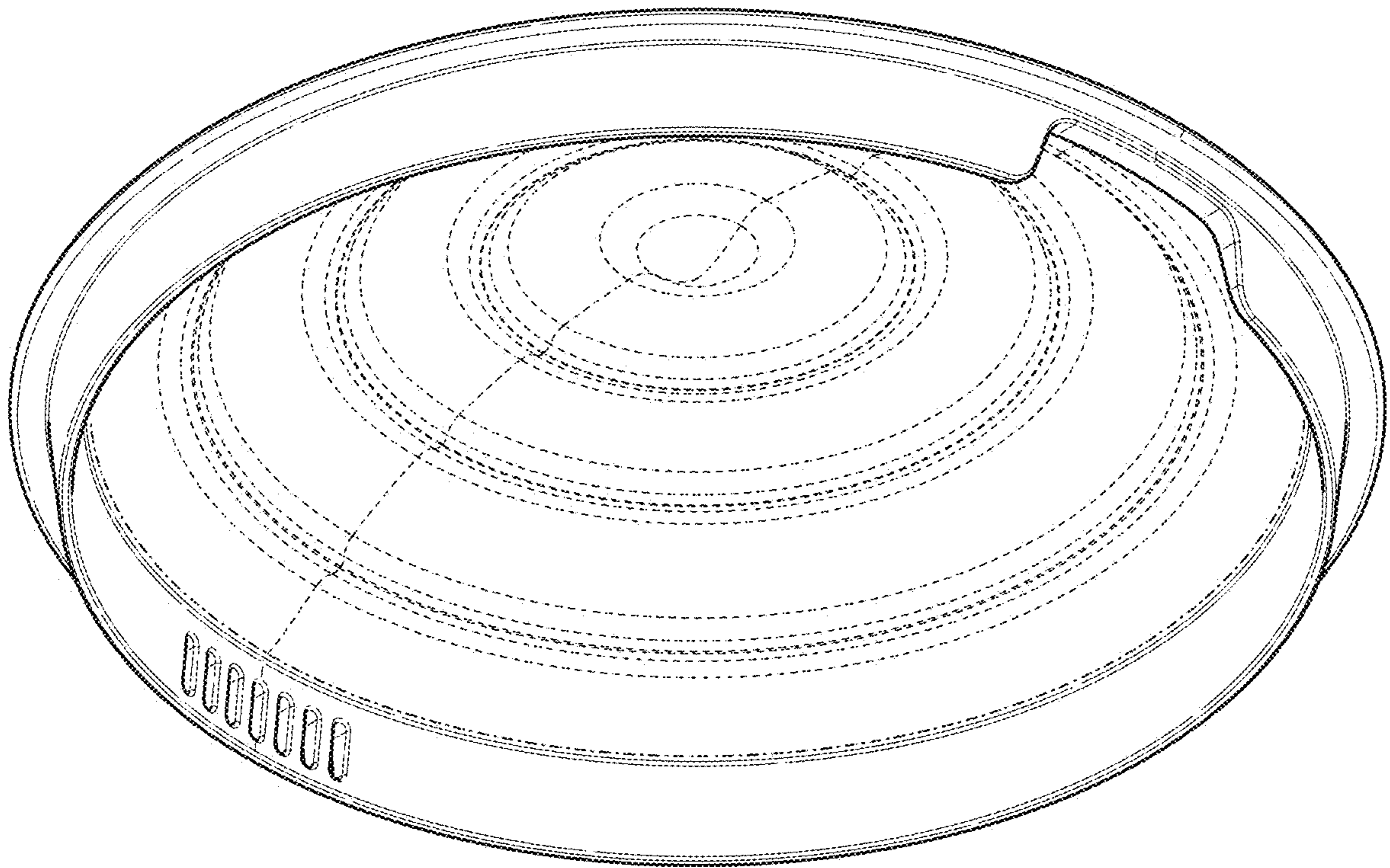


FIG. 2

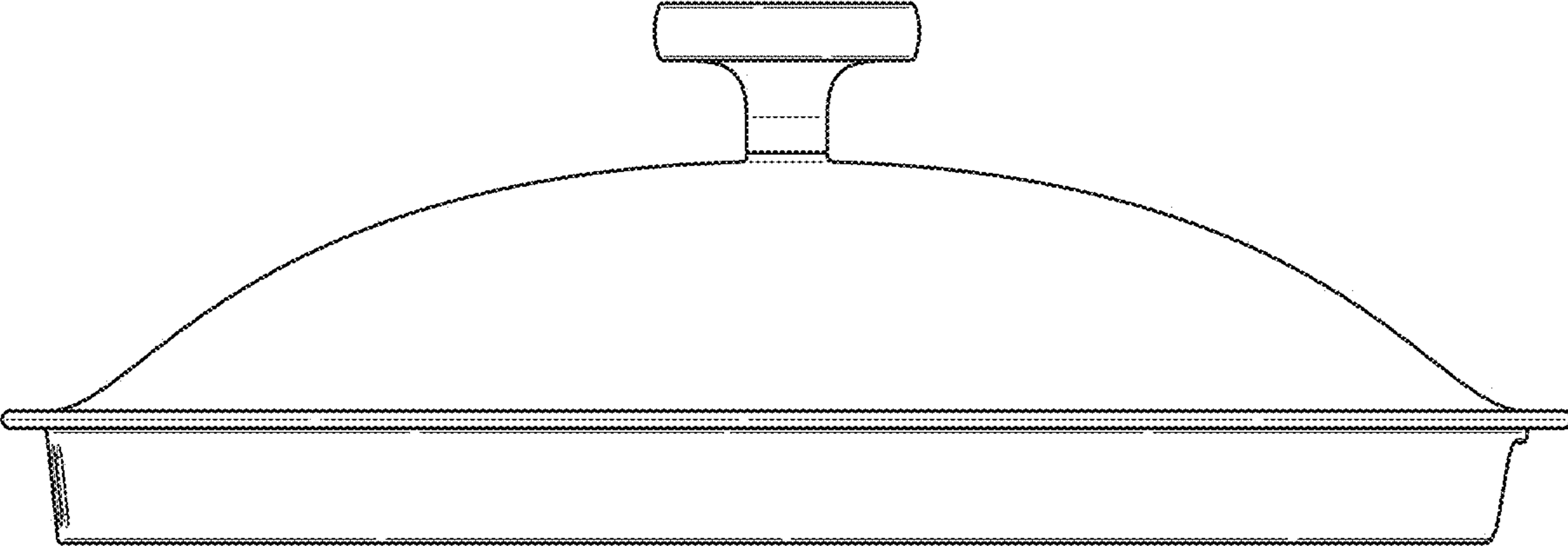


FIG. 3

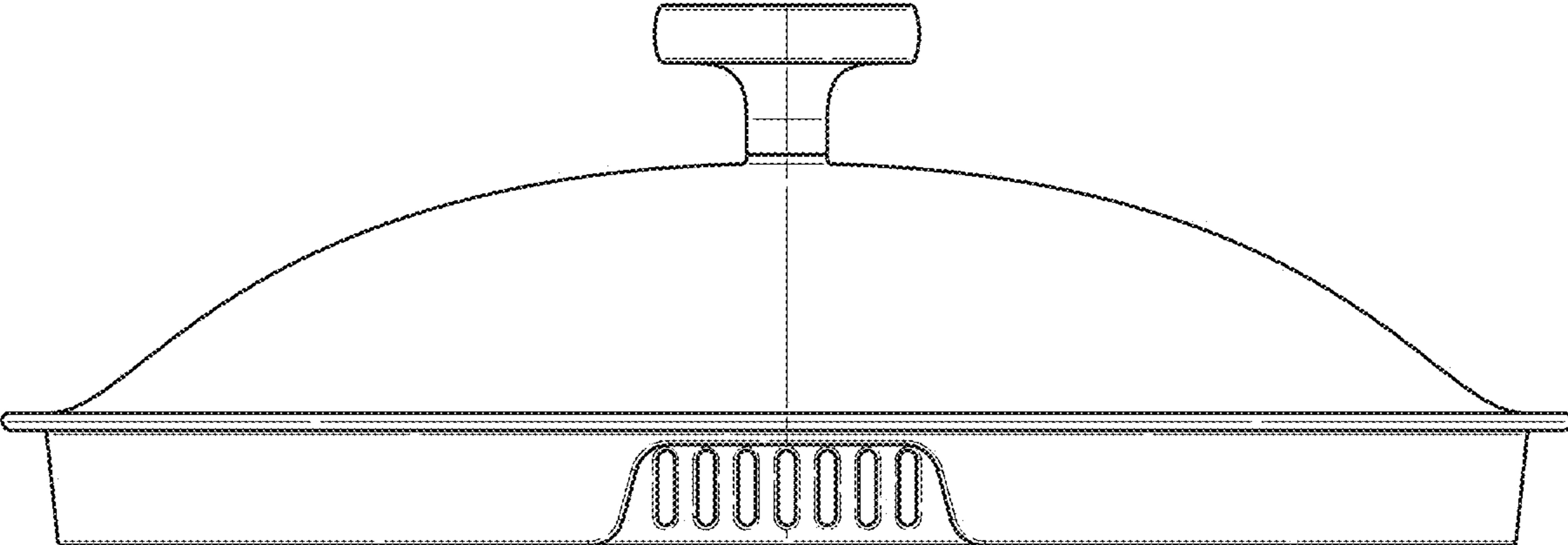


FIG. 4

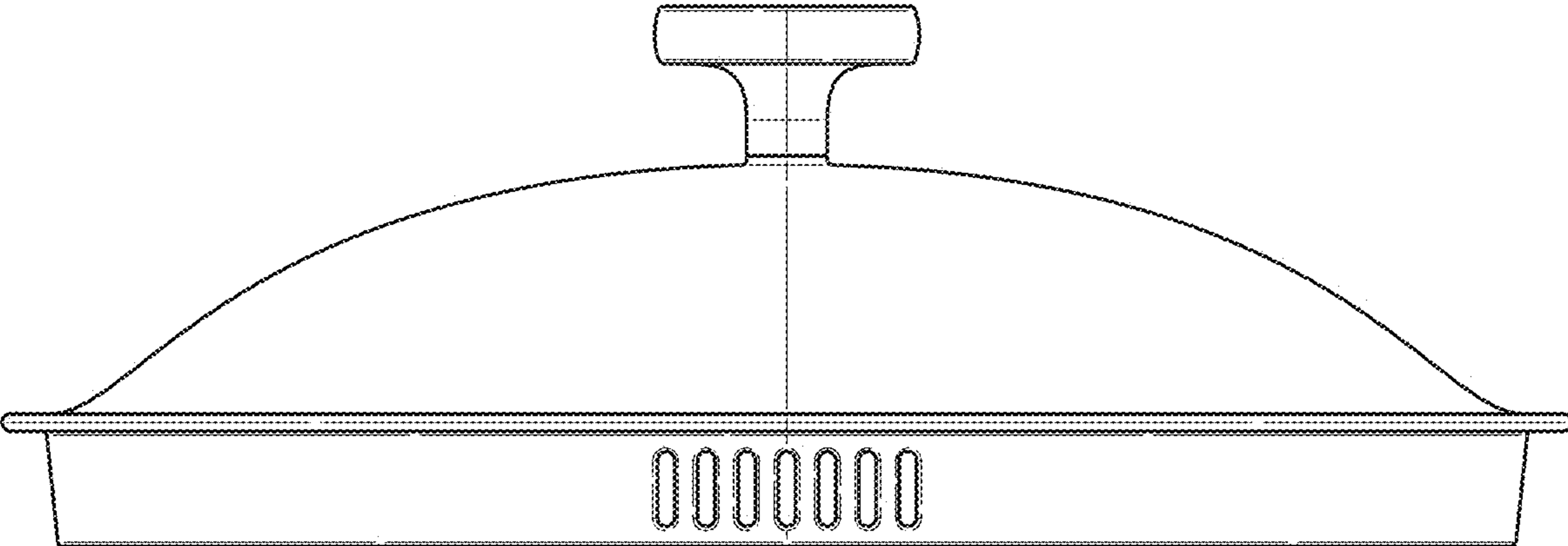


FIG. 5

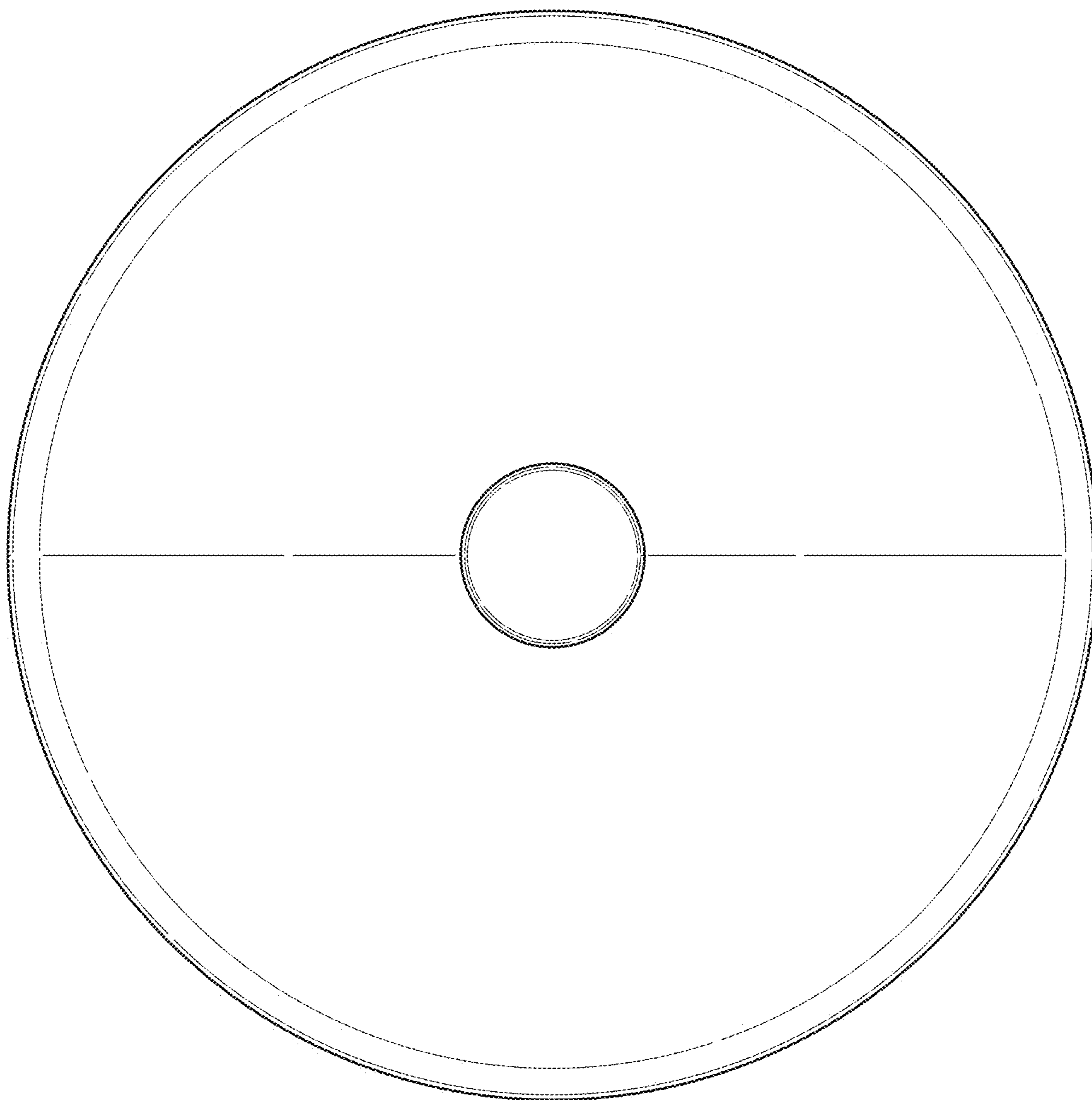


FIG. 6

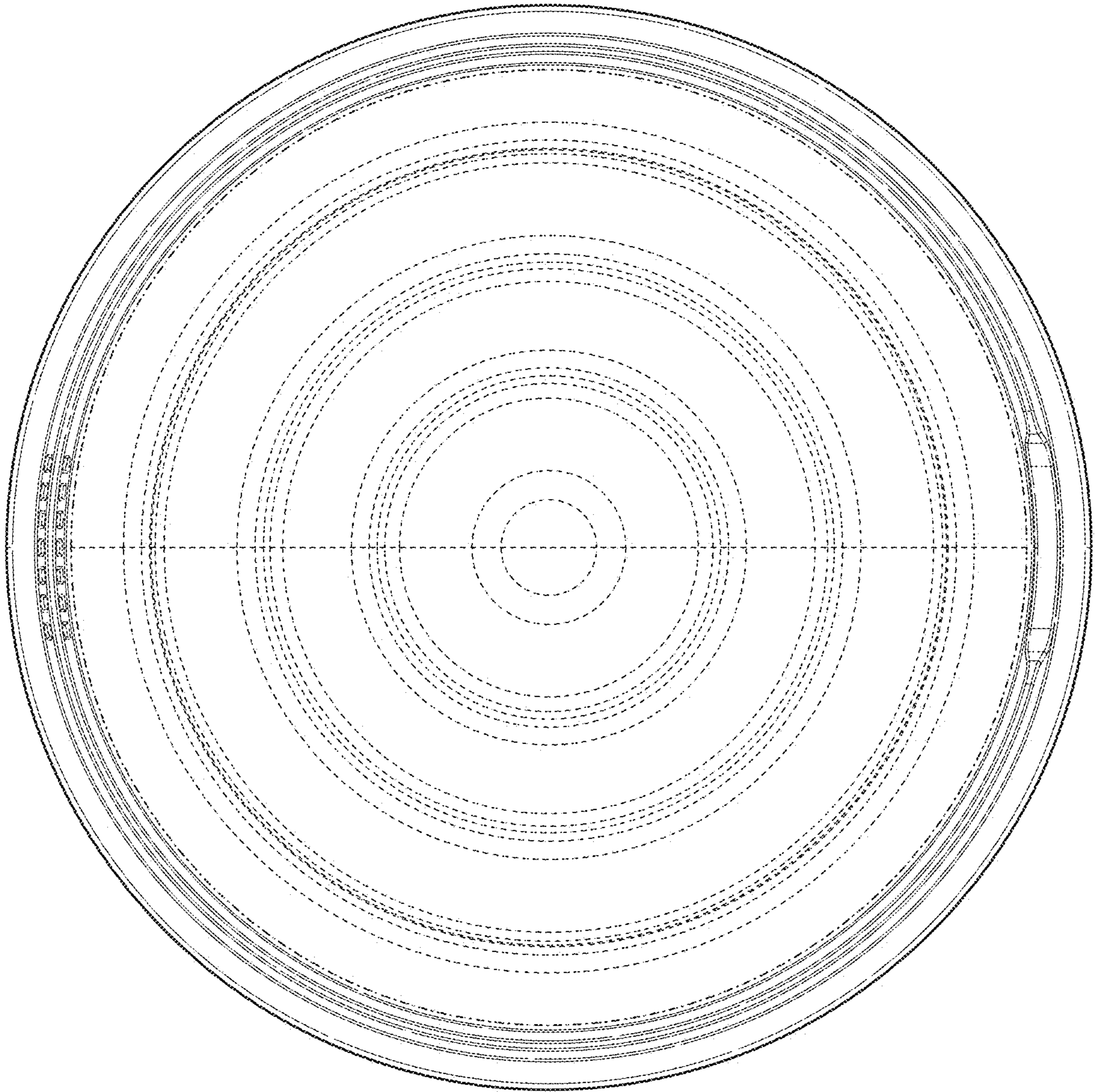


FIG. 7