



US00D975492S

(12) **United States Design Patent**
Xie

(10) **Patent No.:** **US D975,492 S**
(45) **Date of Patent:** **** Jan. 17, 2023**

(54) **SLOW COOKER**

(71) Applicant: **SHENZHEN INKBIRD TECHNOLOGY CO., LTD.**, Shenzhen (CN)

(72) Inventor: **Jinghua Xie**, Shenzhen (CN)

(**) Term: **15 Years**

(21) Appl. No.: **29/799,383**

(22) Filed: **Jul. 14, 2021**

(51) **LOC (14) Cl.** **07-02**

(52) **U.S. Cl.**
USPC **D7/356; D7/354; D7/357**

(58) **Field of Classification Search**
USPC D7/323, 354-361
CPC .. A47J 27/00; A47J 27/04; A47J 27/05; A47J 27/08; A47J 27/09; A47J 27/092; A47J 36/025; A47J 36/06; A47J 36/08; A47J 36/10; A47J 36/12; A47J 37/12; A47J 37/1204; A47J 37/1209; H05B 6/02; H05B 6/06; H05B 6/12
See application file for complete search history.

(56) **References Cited**

U.S. PATENT DOCUMENTS

D556,504 S	*	12/2007	Averty	D7/360
D620,744 S	*	8/2010	Rose	D7/354
D646,114 S	*	10/2011	Wong	D7/354
D657,993 S	*	4/2012	Pantaleo	D7/354
D697,363 S	*	1/2014	Tu	D7/354
D820,631 S	*	6/2018	Ye	D7/357
D830,106 S	*	10/2018	Zhang	D7/354
D833,202 S	*	11/2018	Yang	D7/354

D833,802 S	*	11/2018	Yang	D7/354
D846,332 S	*	4/2019	Gill	D7/354
D846,333 S	*	4/2019	Gill	D7/354
D860,712 S	*	9/2019	Yang	D7/354
D880,930 S	*	4/2020	Zhang	D7/354

OTHER PUBLICATIONS

Slow Cooker, Housnat 10 in 1 Programmable Cooker. Date First Available on Amazon.com Feb. 21, 2022. <https://www.amazon.com/HOUSNAT-Programmable-Stainless-Steaming-Adjustable/dp/B09J95V2DG/ref> (Year: 2022).*

* cited by examiner

Primary Examiner — Ricky Pham

(74) *Attorney, Agent, or Firm* — SciNova IP and Regulatory Consulting LLC; Jingfeng Song

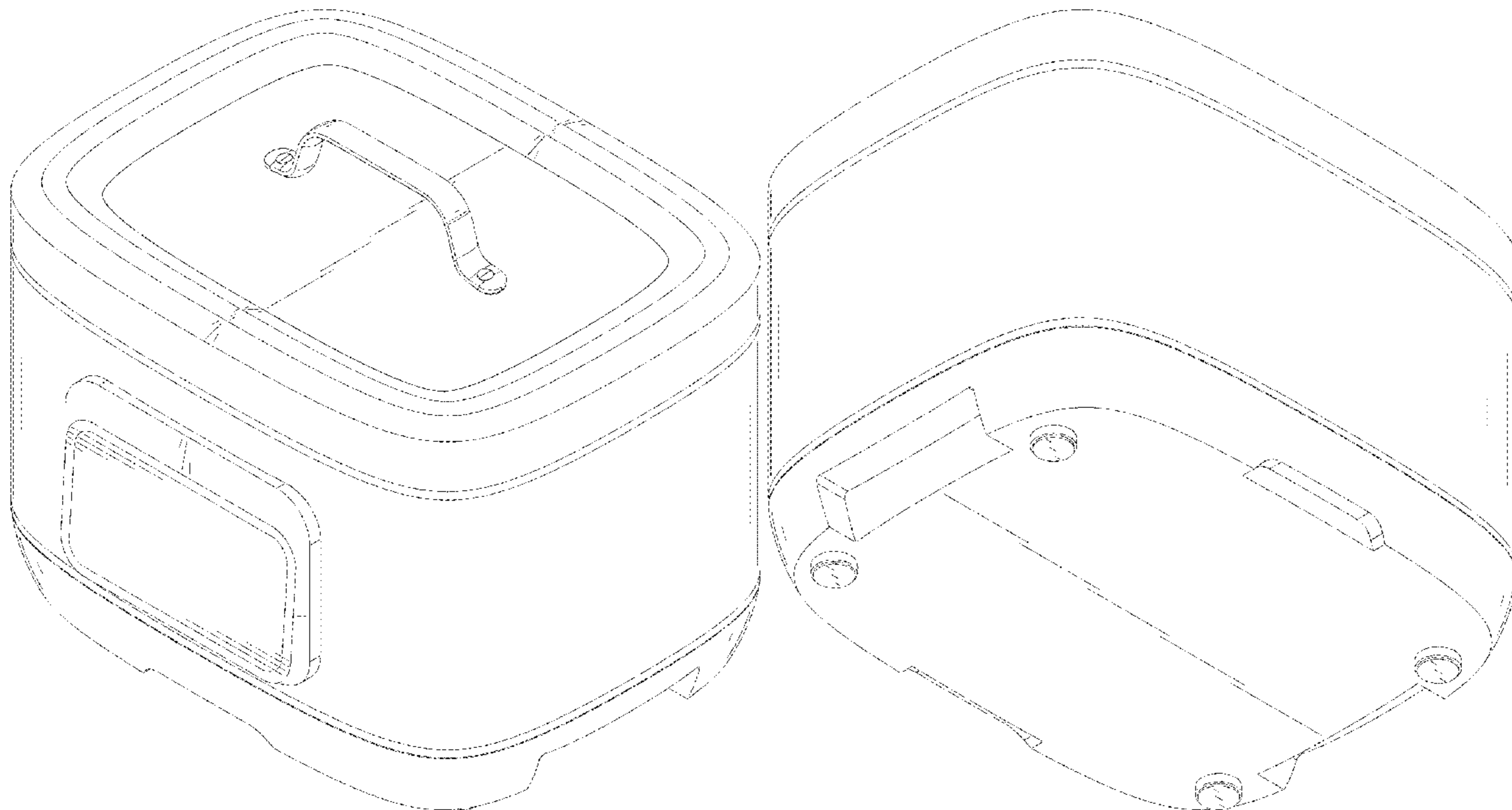
(57) **CLAIM**

The ornamental design for a slow cooker, as shown and described.

DESCRIPTION

FIG. 1 is a front, right side, top perspective view of a slow cooker showing my new design; FIG. 2 is a rear, right side, bottom perspective view thereof; FIG. 3 is a front elevational view thereof; FIG. 4 is a rear elevational view thereof; FIG. 5 is a left side elevational view thereof; FIG. 6 is a right side elevational view thereof; FIG. 7 is a top plan view thereof; and, FIG. 8 is a bottom plan view thereof. The broken lines depict portions of the slow cooker that form no part of the claimed design.

1 Claim, 8 Drawing Sheets



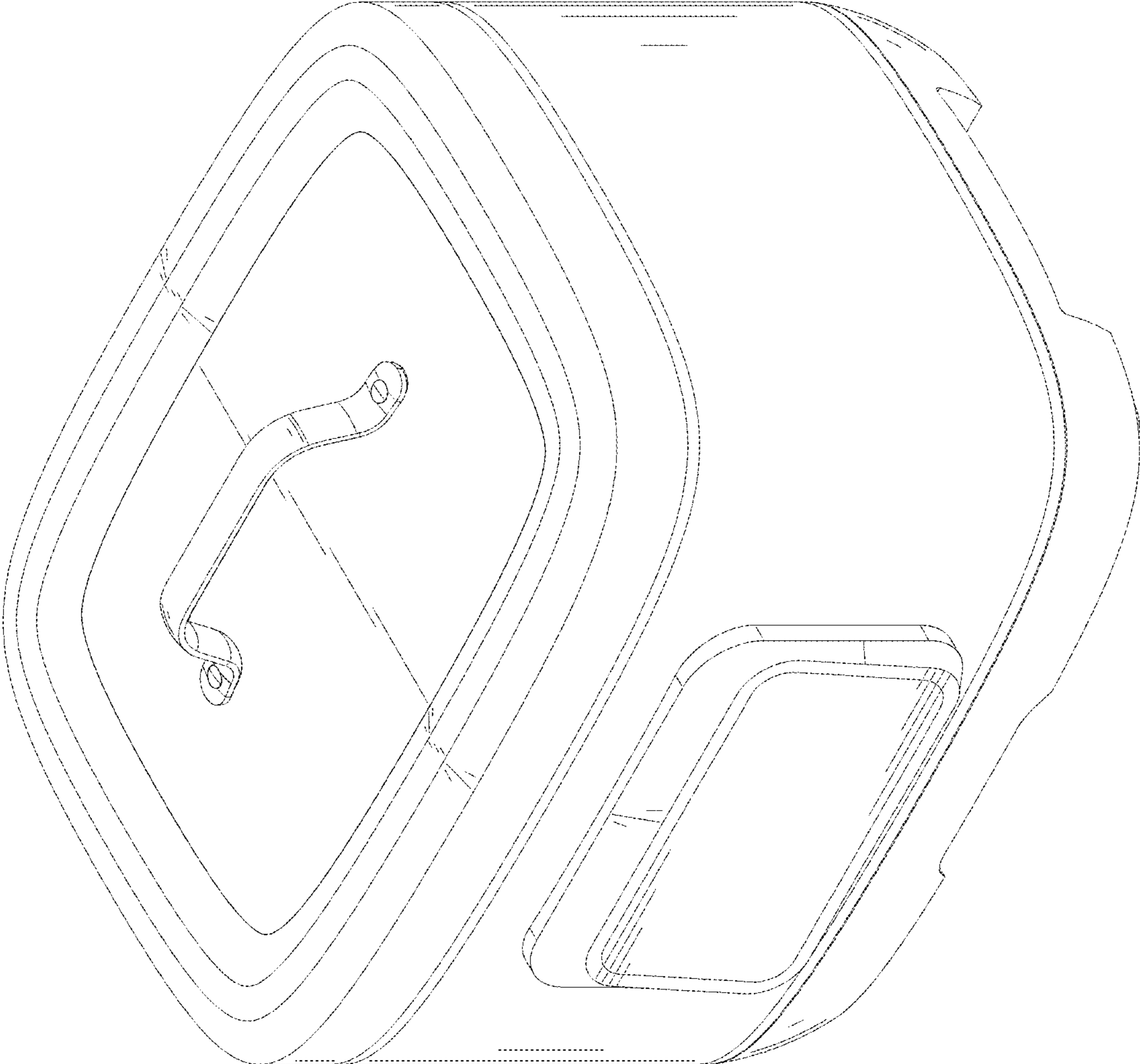


FIG. 1

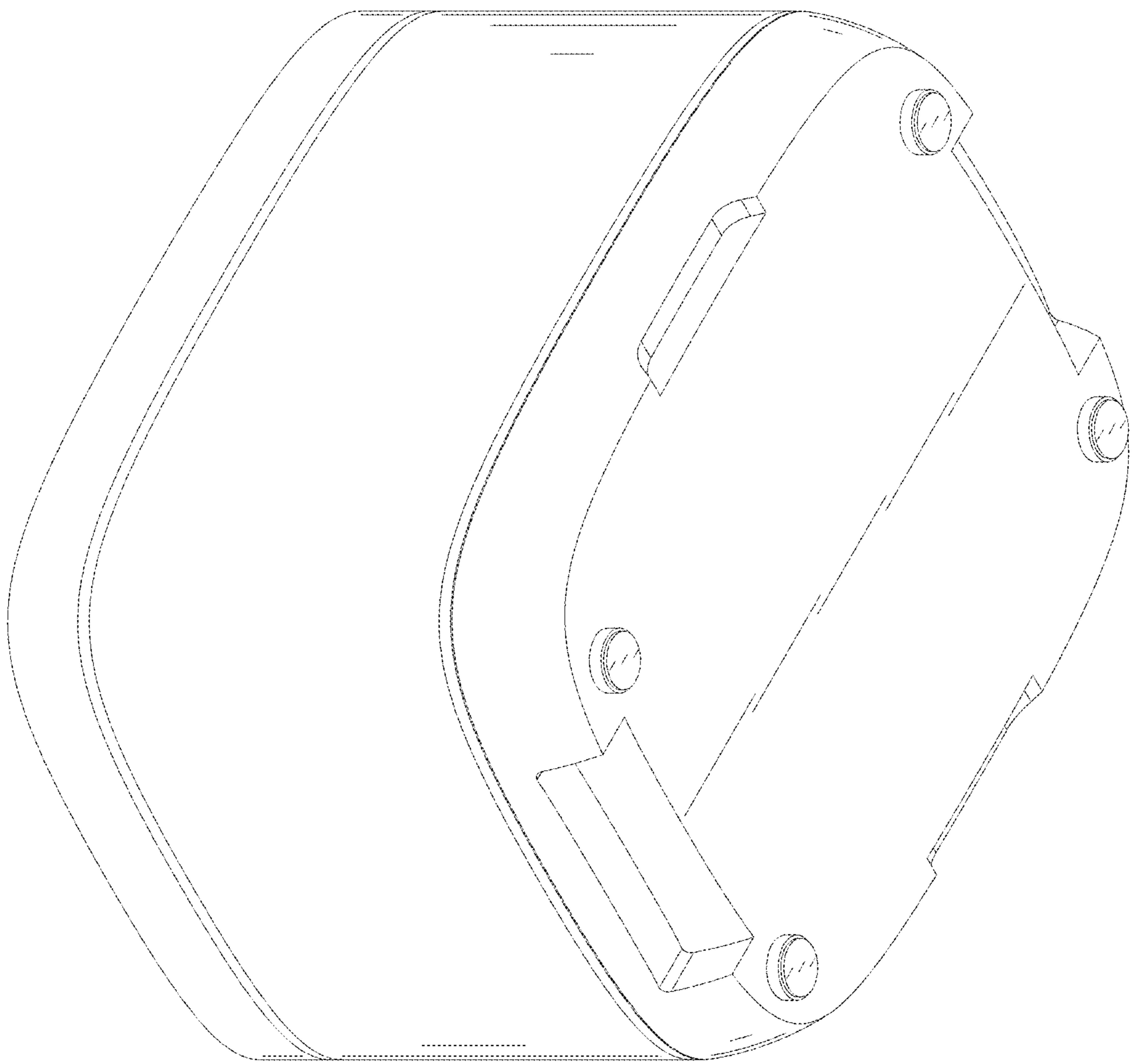


FIG. 2

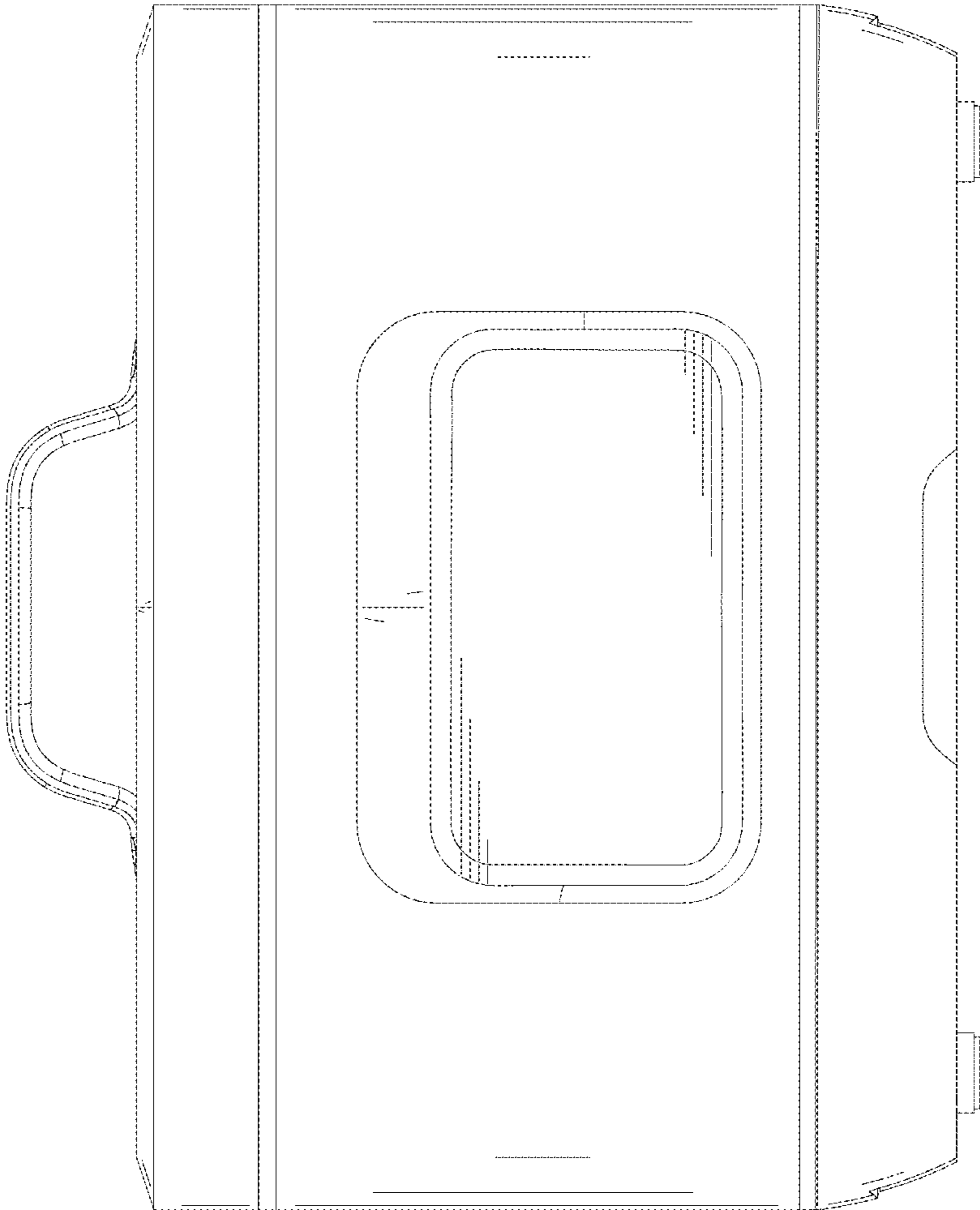


FIG. 3

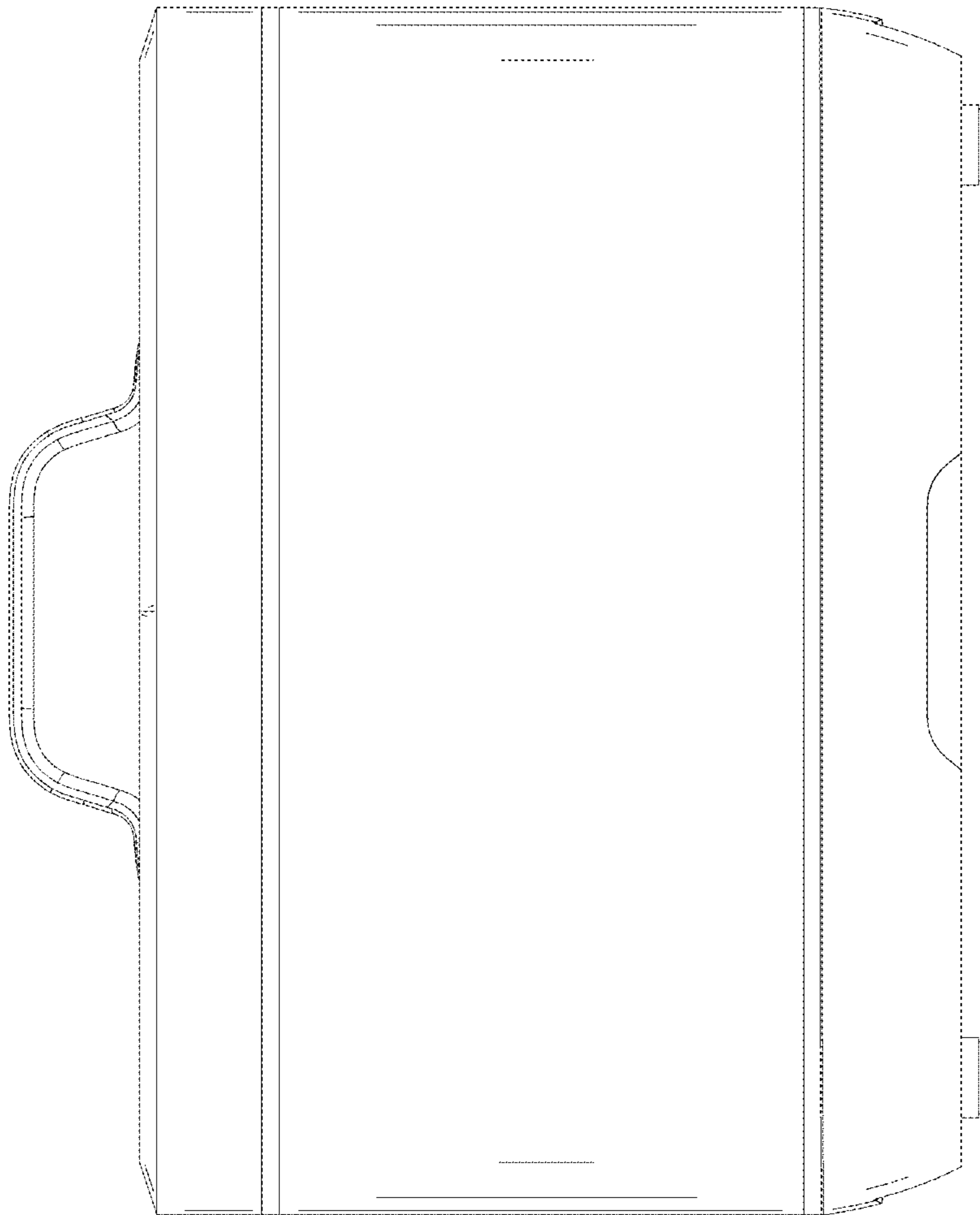


FIG. 4

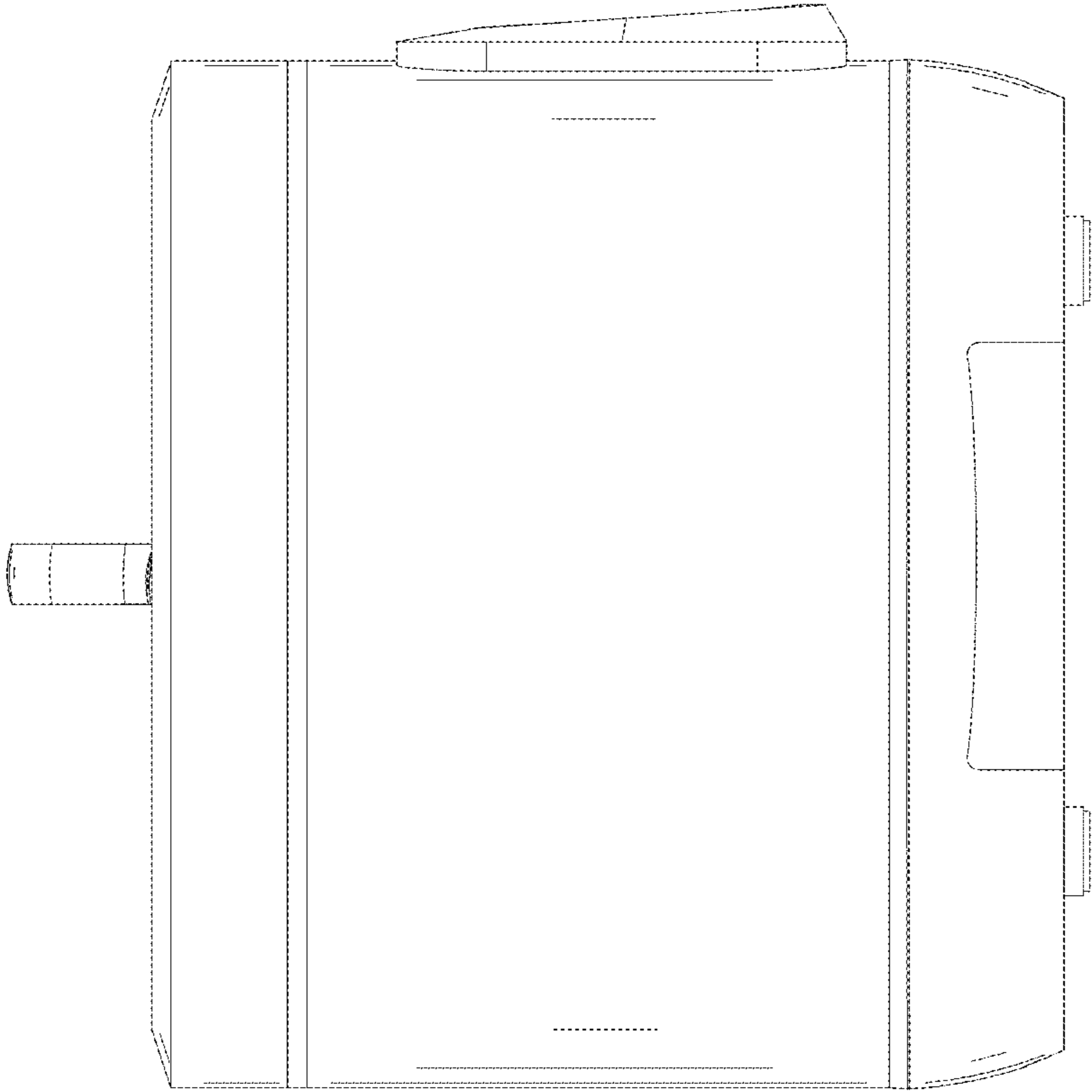


FIG. 5

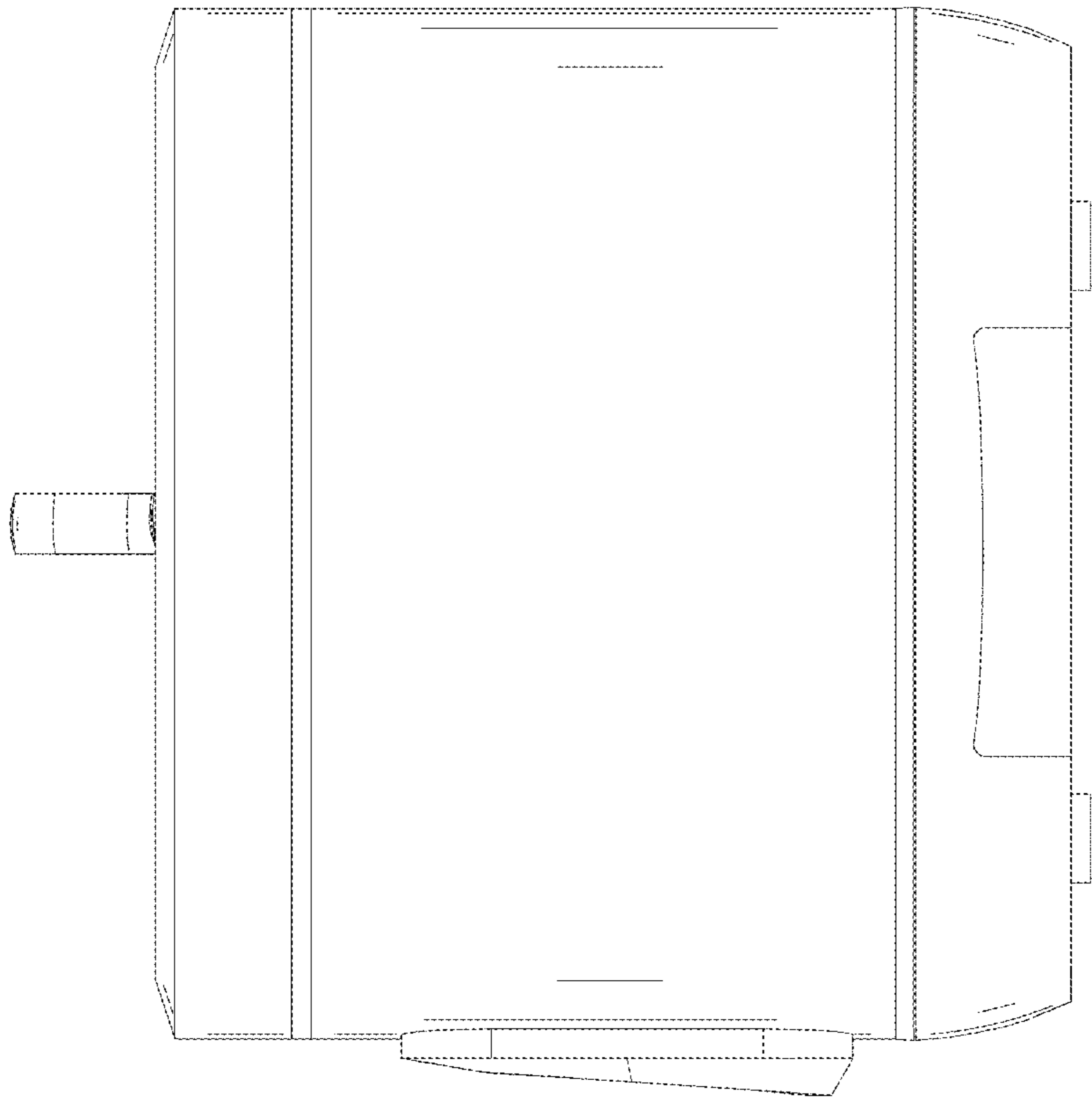


FIG. 6

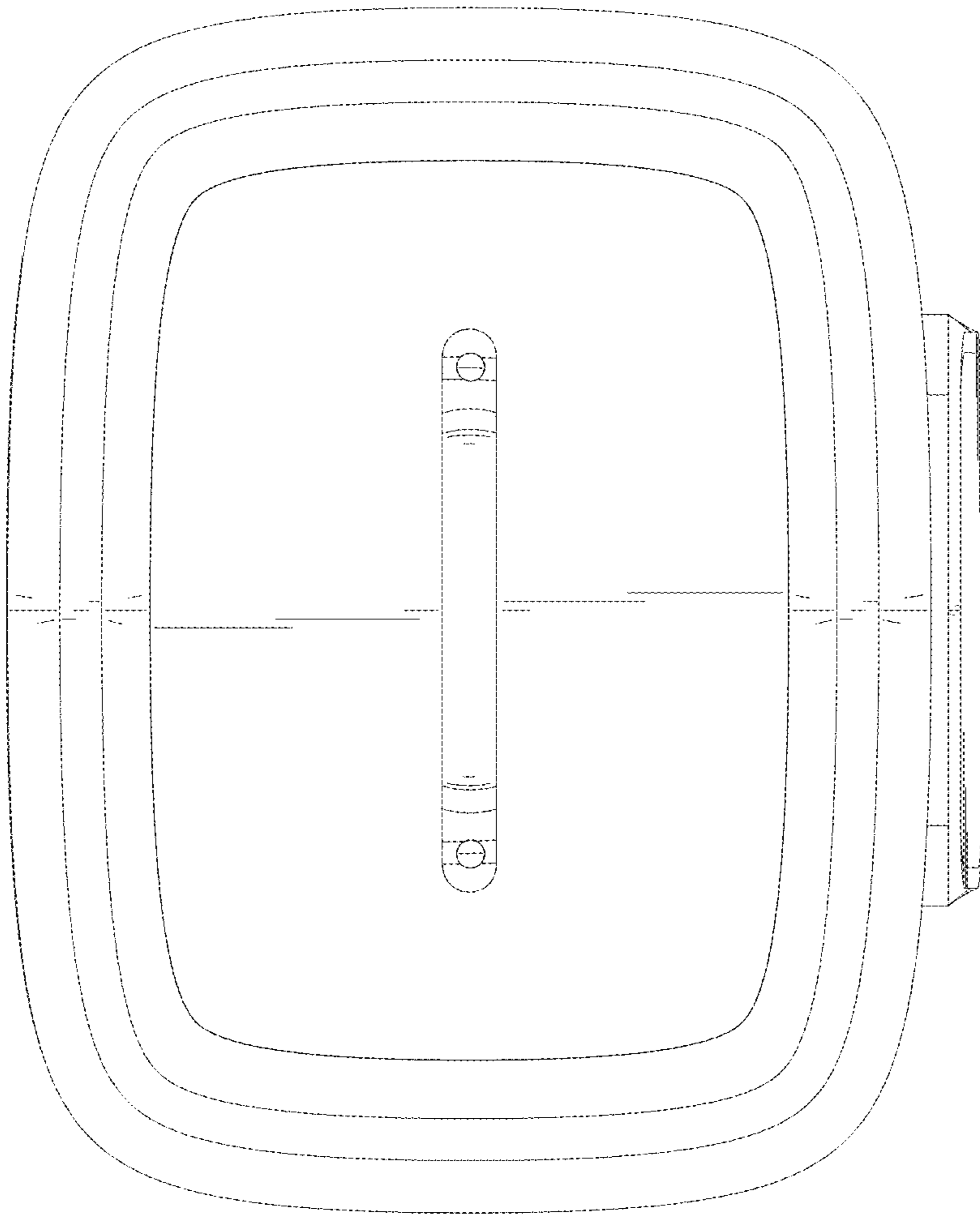


FIG. 7

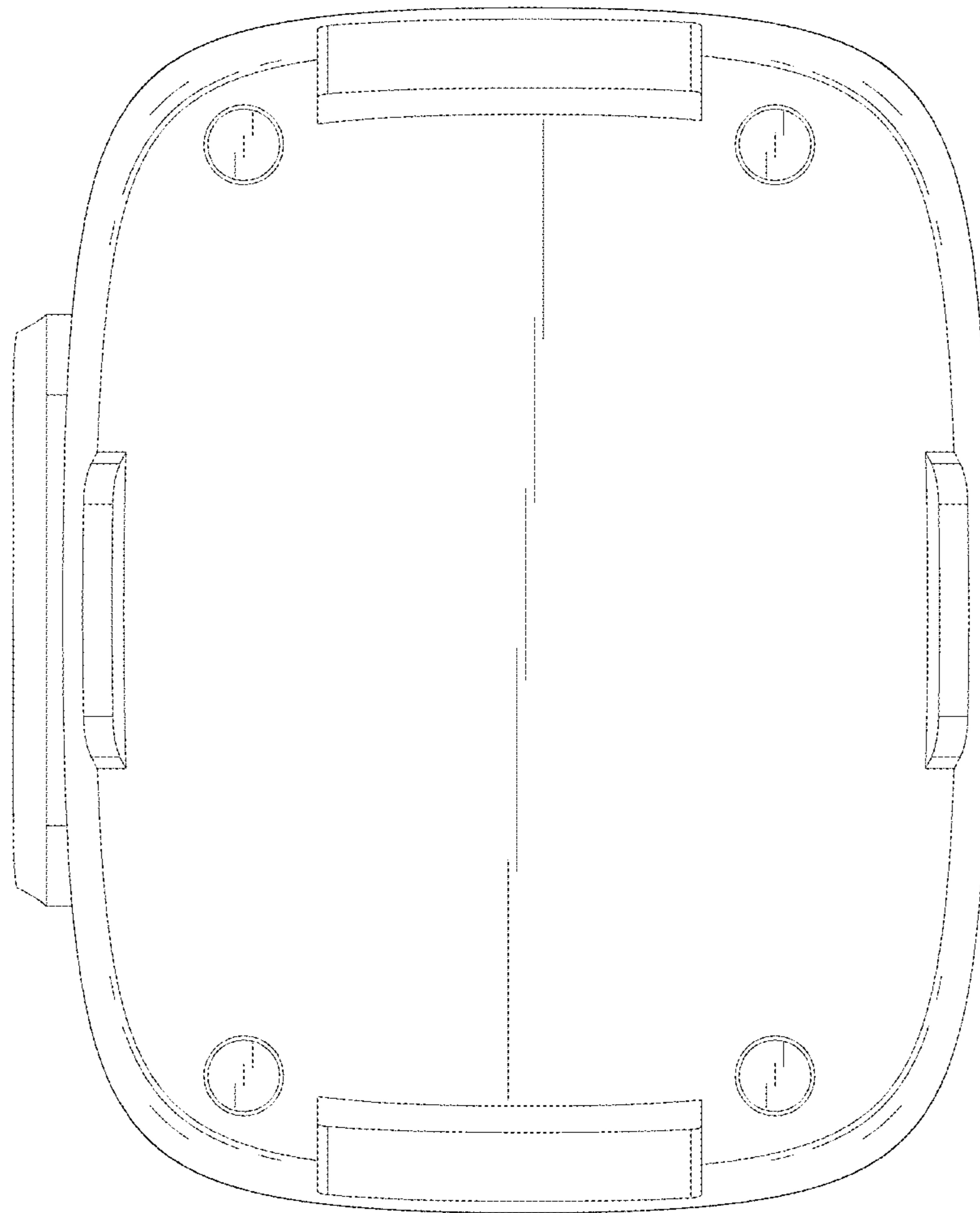


FIG. 8