



US00D975491S

(12) **United States Design Patent**  
**Shen**

(10) **Patent No.:** **US D975,491 S**  
(45) **Date of Patent:** **\*\* Jan. 17, 2023**

(54) **BARBECUE GRILL**

- (71) Applicant: **Nelson Shen**, Dongguan (CN)
- (72) Inventor: **Nelson Shen**, Dongguan (CN)
- (\*\*) Term: **15 Years**
- (21) Appl. No.: **29/759,106**
- (22) Filed: **Nov. 20, 2020**
- (51) **LOC (14) Cl.** ..... **07-02**
- (52) **U.S. Cl.**  
USPC ..... **D7/334**
- (58) **Field of Classification Search**  
USPC ..... D7/323, 332-339, 387, 402-406, 408,  
D7/409; D21/523, 524; D23/335, 337,  
D23/339, 343, 345  
CPC ..... A47J 37/00; A47J 37/06; A47J 37/0647;  
A47J 37/0658; A47J 37/07-0754; A47J  
37/0763; A47J 37/0781; A47J 37/0786;  
A47J 2037/0777; A47J 2037/0795  
See application file for complete search history.

(56) **References Cited**

**U.S. PATENT DOCUMENTS**

D547,108 S *	7/2007	Tseng	.....	D7/332
D582,715 S *	12/2008	Pai	.....	D7/334
D618,952 S *	7/2010	Chung	.....	D7/334
D621,201 S *	8/2010	Proffitt	.....	D7/334
D671,788 S *	12/2012	Slater	.....	D7/334
D695,055 S *	12/2013	Measom	.....	D7/332
D732,874 S *	6/2015	Chung	.....	D7/334
D736,026 S *	8/2015	Kam	.....	D7/334
D799,885 S *	10/2017	Torchon	.....	D7/334
D845,057 S *	4/2019	Lira-Nunez	.....	D7/334
D848,776 S *	5/2019	Jiang	.....	A47J 37/0786 D7/334
D934,611 S *	11/2021	Dahle	.....	D7/334
2022/0071445 A1 *	3/2022	Springer	.....	A47J 37/0786

**OTHER PUBLICATIONS**

Dyna-Glo 4-Burner Propane Gas Grill in Stainless Steel with Griddle DGX440SGP, Home Depot, [online], [site visited May 27, 2022], Available from internet URL: <https://www.homedepot.com/p/Dyna-Glo-4-Burner-Propane-Gas-Grill-in-Stainless-Steel-with-Griddle-DGX440SGP/310506606#overlay> (Year: 2022).\*

\* cited by examiner

*Primary Examiner* — Mary Ann Calabrese  
*Assistant Examiner* — Natalya M Rapundalo  
(74) *Attorney, Agent, or Firm* — Bruce Stone LLP;  
Joseph A. Bruce

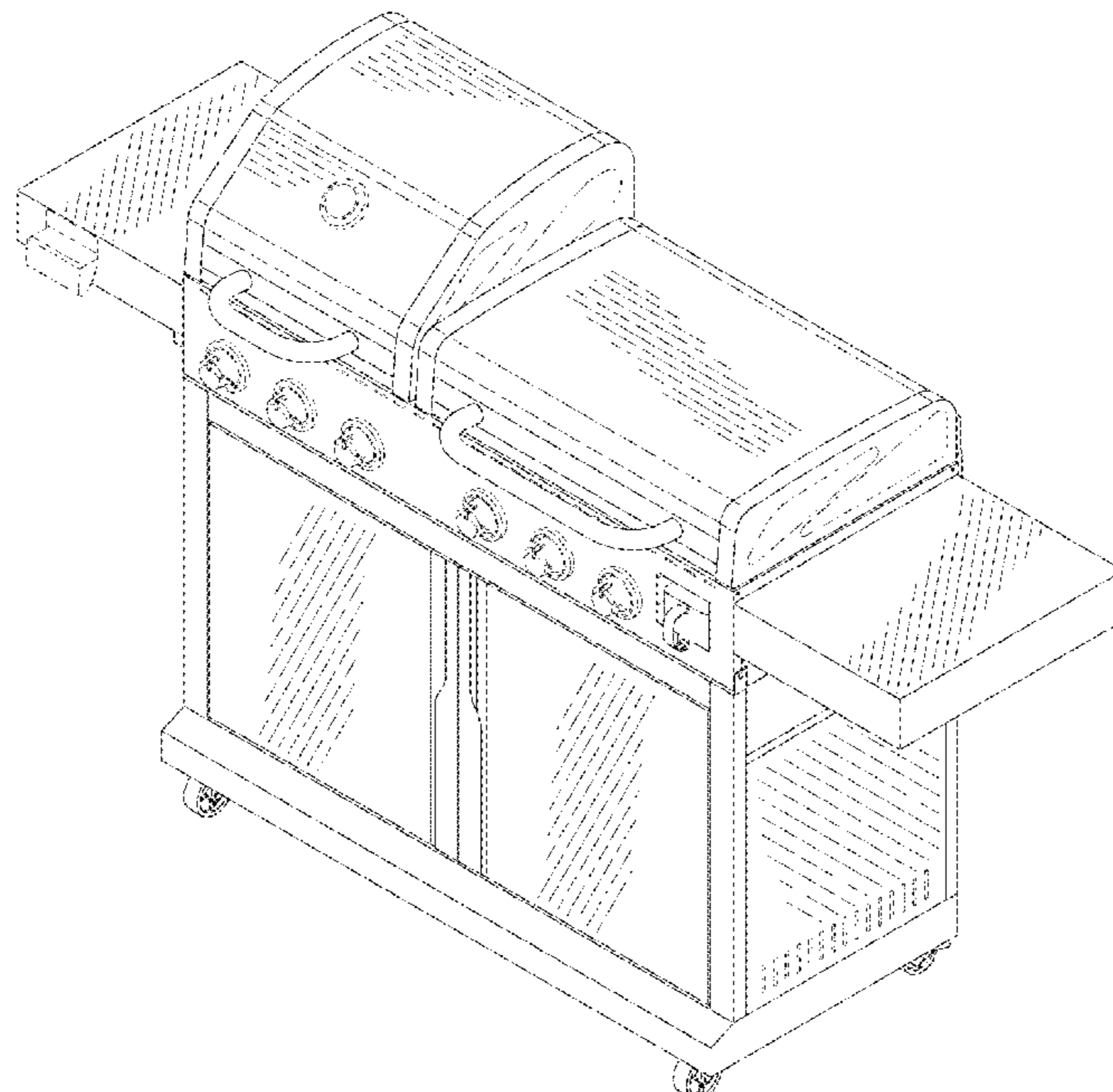
(57) **CLAIM**

I claim the ornamental design for a barbecue grill, as shown and described.

**DESCRIPTION**

FIG. 1 is a perspective view of a barbecue grill of my new ornamental design;  
FIG. 2 is a front view of the barbecue grill shown in FIG. 1;  
FIG. 3 is a rear view of the barbecue grill shown in FIG. 1;  
FIG. 4 is a left side view of the barbecue grill shown in FIG. 1,  
FIG. 5 is a right side view of the barbecue grill shown in FIG. 1;  
FIG. 6 is a top view of the barbecue grill shown in FIG. 1;  
and,  
FIG. 7 is a bottom view of the barbecue grill shown in FIG. 1.  
The broken lines depict portions of the barbecue grill that form no part of the claimed design.

**1 Claim, 7 Drawing Sheets**



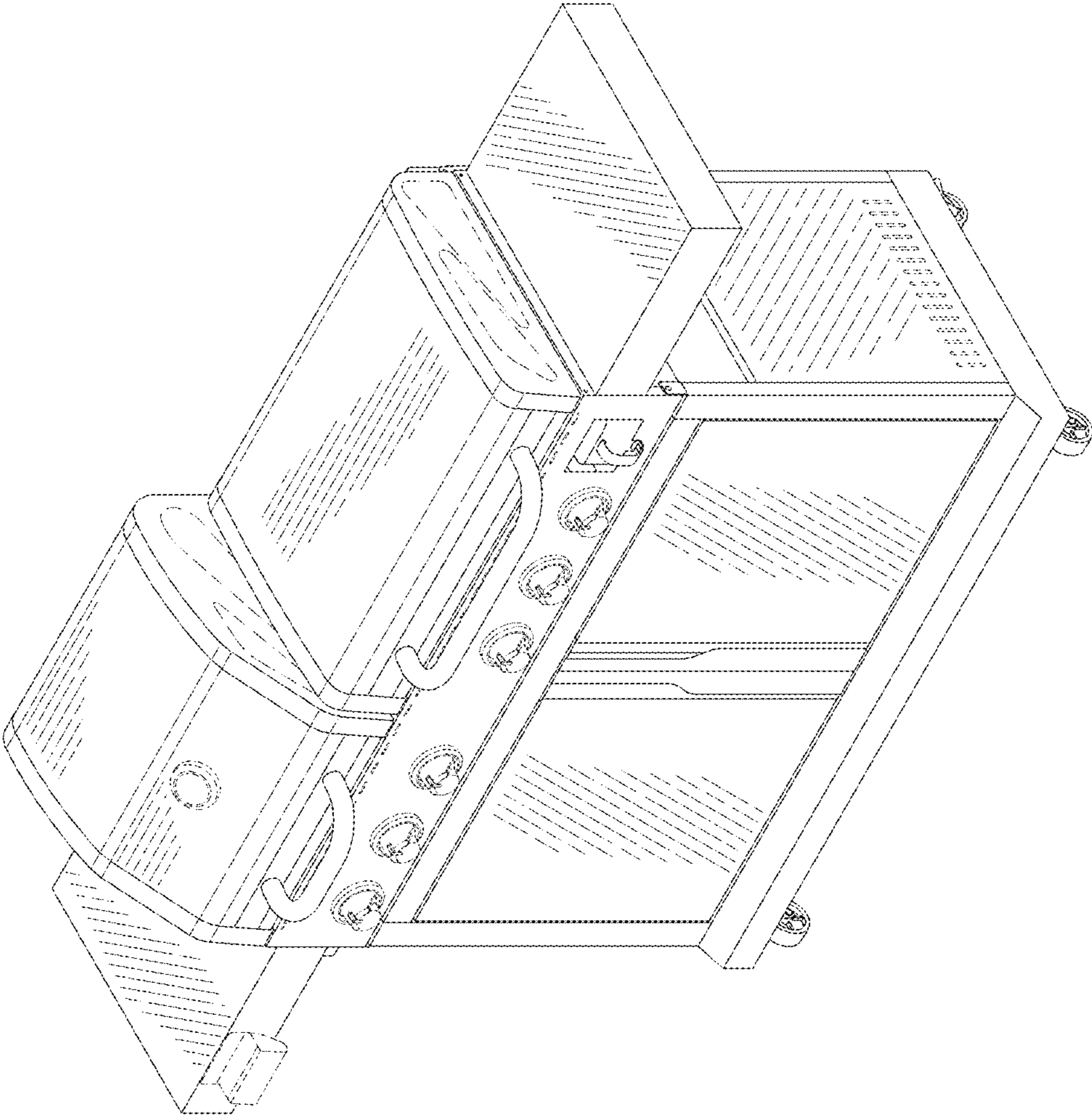


FIG. 1

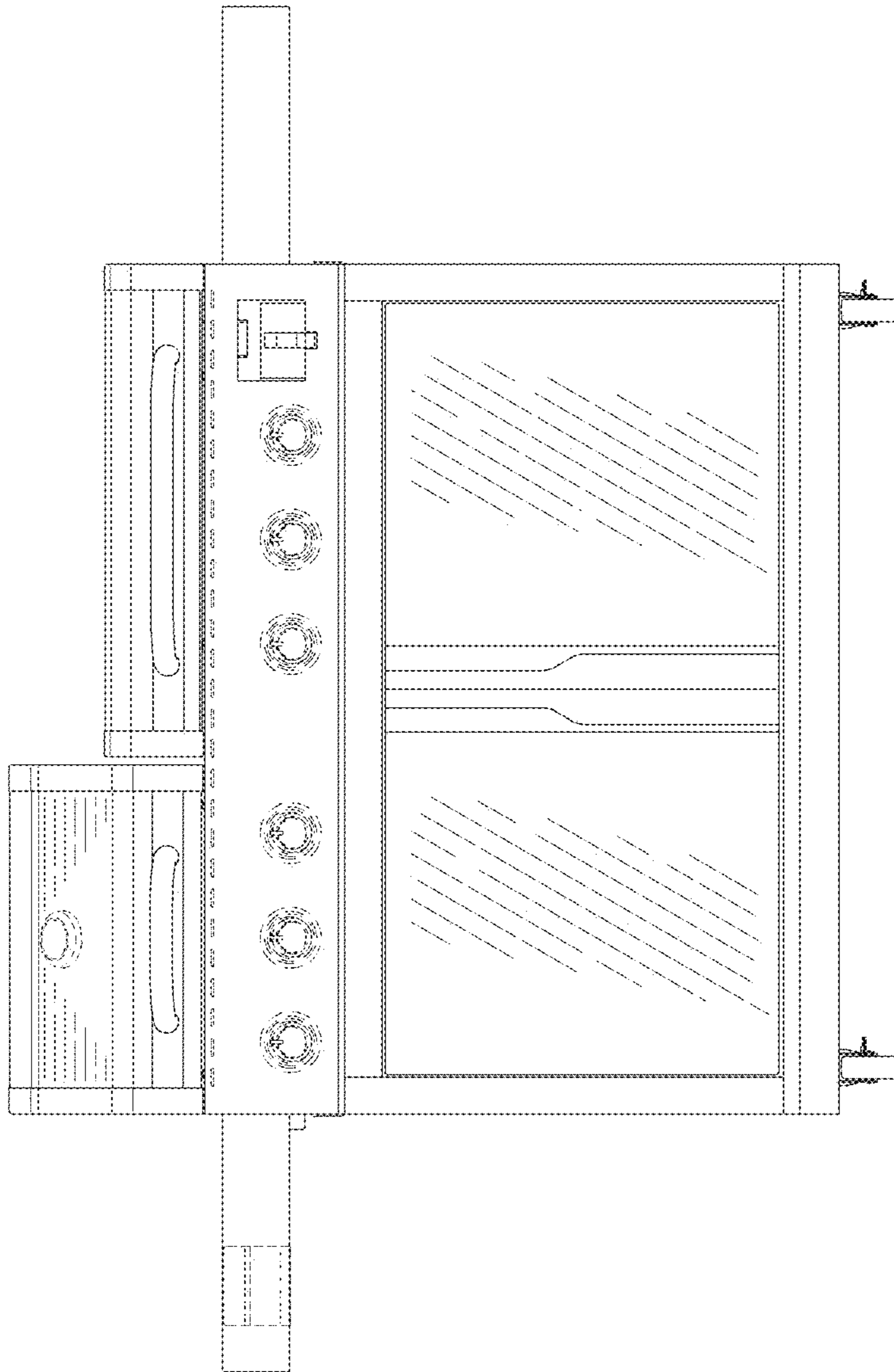


FIG. 2

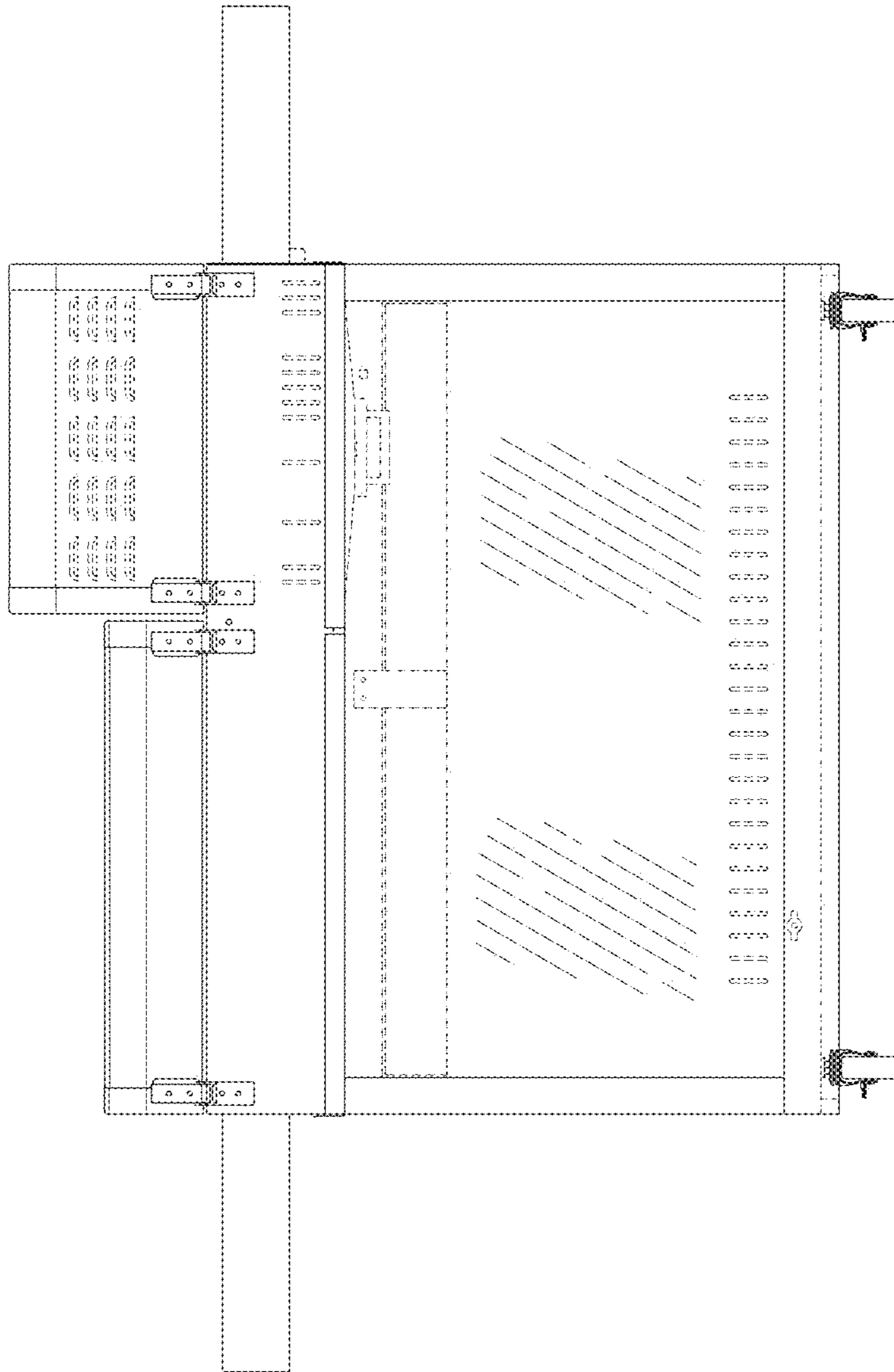


FIG. 3

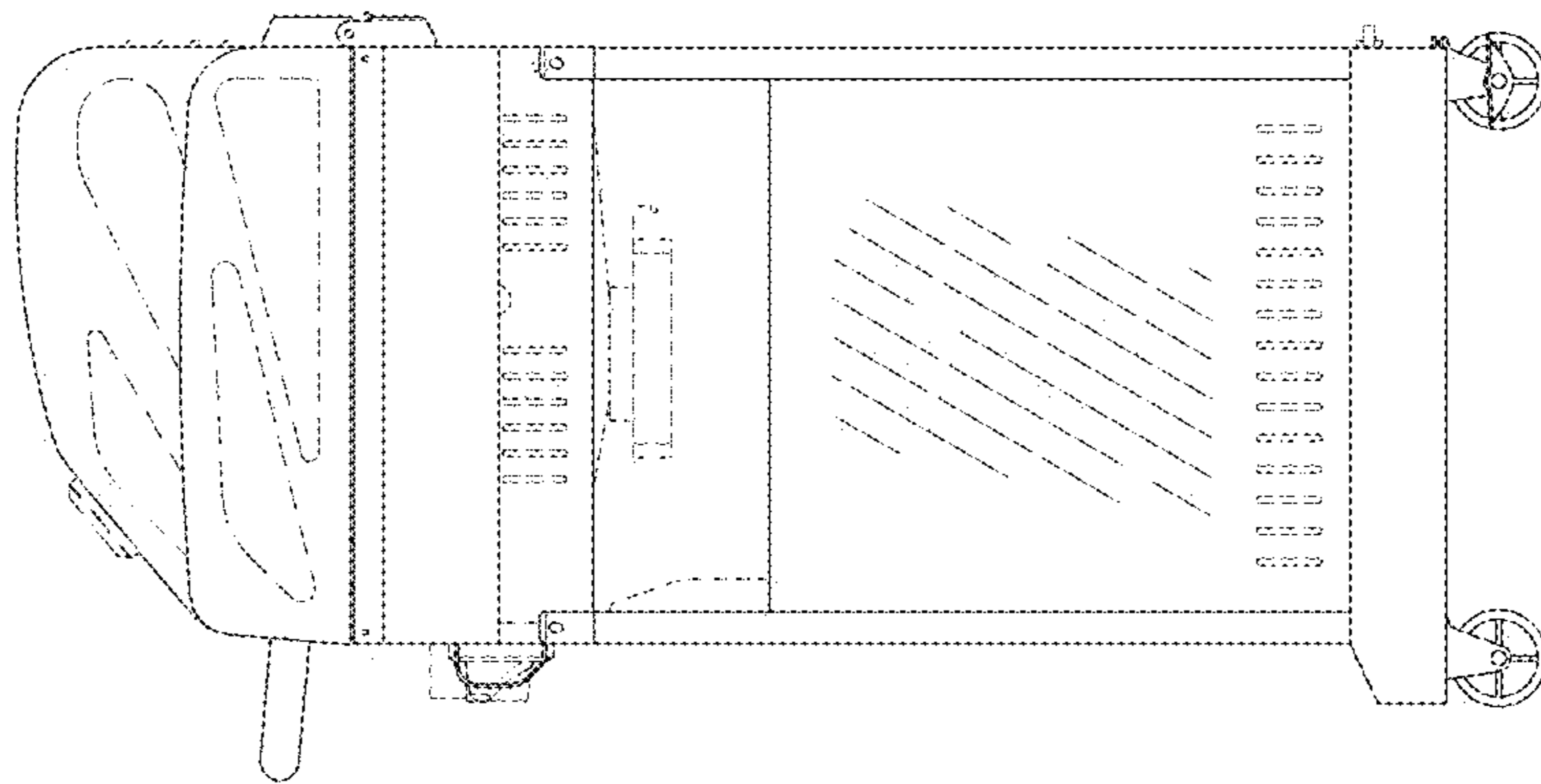


FIG. 4

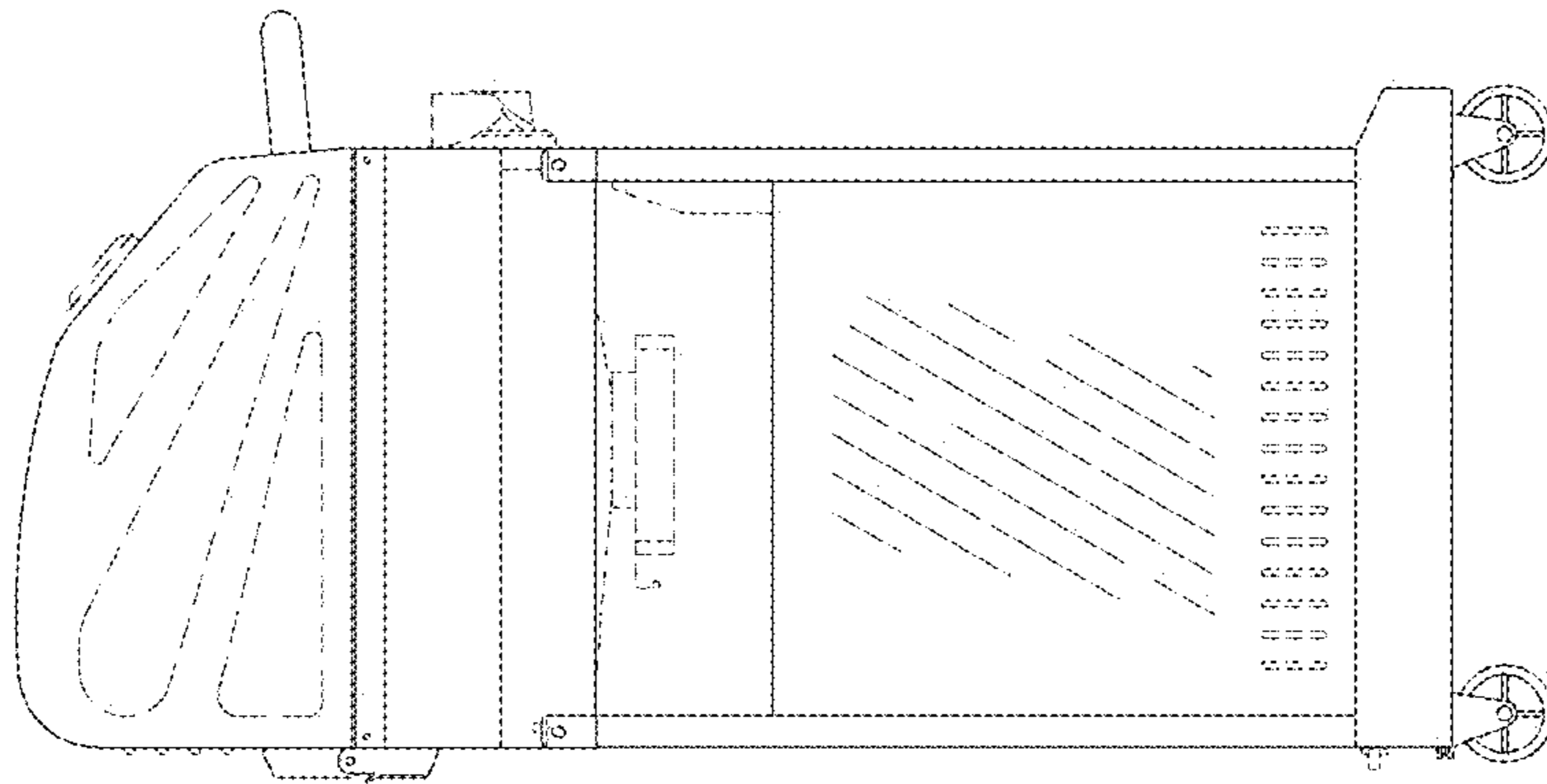


FIG. 5

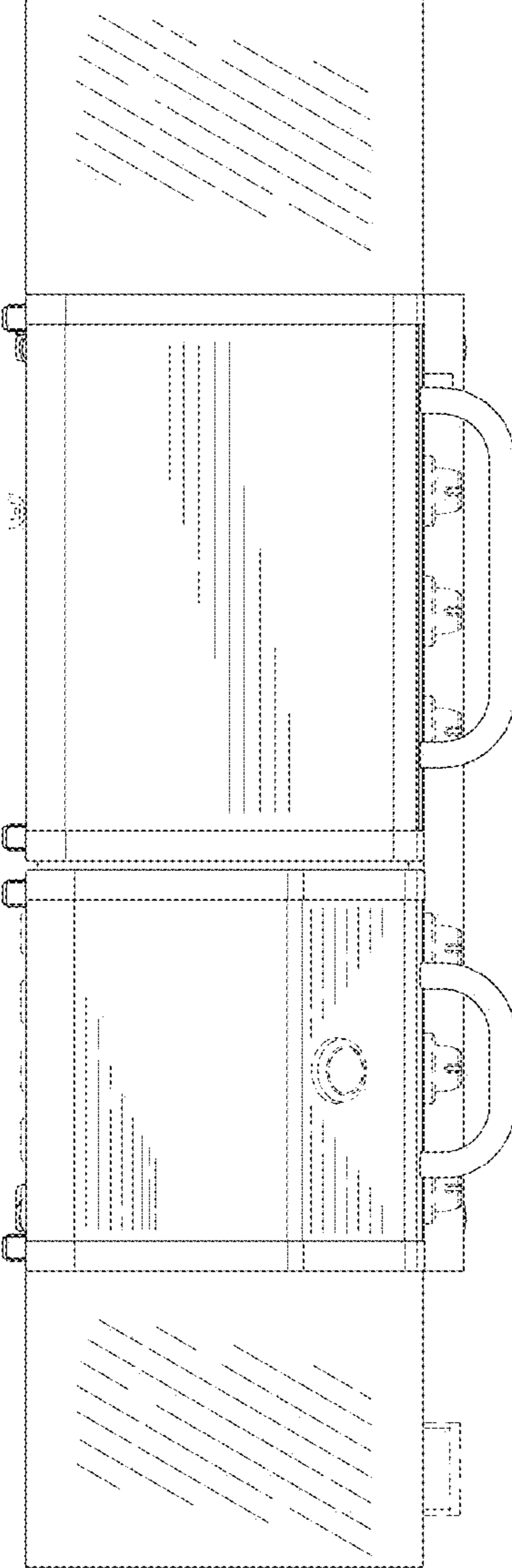


FIG. 6

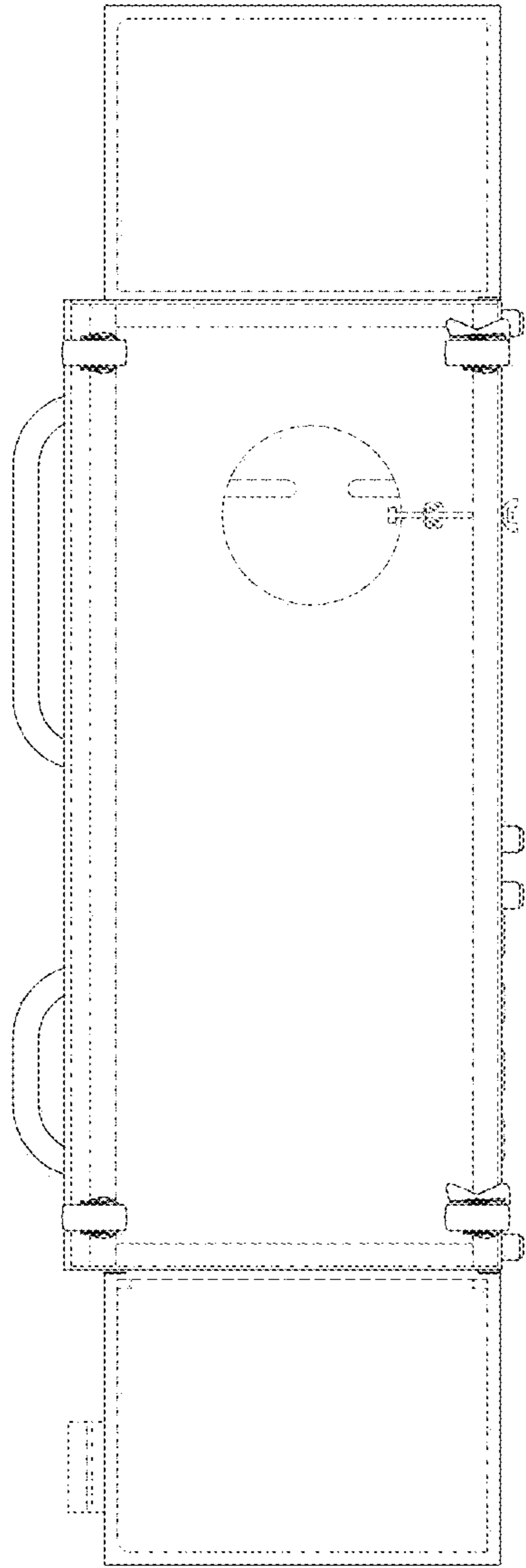


FIG. 7