



US00D975488S

(12) **United States Design Patent** (10) **Patent No.:** **US D975,488 S**
Marsden (45) **Date of Patent:** **** Jan. 17, 2023**

(54) **FOOD PREPARATION DEVICE**
(71) Applicant: **SharkNinja Operating LLC**,
Needham, MA (US)
(72) Inventor: **Jennifer Kathryn Marsden**, London
(GB)
(73) Assignee: **SharkNinja Operating LLC**,
Needham, MA (US)
(**) Term: **15 Years**
(21) Appl. No.: **29/837,138**
(22) Filed: **May 2, 2022**

(56) References Cited	
U.S. PATENT DOCUMENTS	
D176,084 S *	11/1955 Sado D7/338
D286,003 S	10/1986 Viancin
D288,274 S	2/1987 Mayeur
D466,757 S	12/2002 Hsu
D476,844 S	7/2003 Hsu
D476,845 S	7/2003 Hsu
D628,432 S	12/2010 Pino et al.
D628,433 S *	12/2010 Pino D7/350.1
D770,841 S *	11/2016 Affatato D7/350.1
D770,842 S *	11/2016 Affatato D7/350.1
D815,485 S *	4/2018 Suehiro D7/350.1
D953,090 S *	5/2022 Marsden D7/354
D953,091 S *	5/2022 Marsden D7/354

* cited by examiner

Primary Examiner — Ricky Pham
(74) *Attorney, Agent, or Firm* — Mintz Levin Cohn Ferris
Glovsky and Popeo, PC; Lisa Adams

Related U.S. Application Data

(60) Division of application No. 29/766,055, filed on Jan. 13, 2021, now Pat. No. Des. 953,091, which is a continuation of application No. 29/743,243, filed on Jul. 20, 2020, now Pat. No. Des. 953,090.
(51) **LOC (14) Cl.** **07-02**
(52) **U.S. Cl.**
USPC **D7/329**; D7/328; D7/354
(58) **Field of Classification Search**
USPC ... D7/323, 328–330, 339, 350.1, 350.4, 351, D7/390
CPC ... A21B 2/00; A47J 37/00; A47J 37/06; A47J 37/0611; A47J 37/08; A47J 37/0807; A47J 37/0814; A47J 37/0821; A47J 37/0835; A47J 37/0842; A47J 37/085; A47J 37/0864; A47J 37/0878; A47J 37/0885; A47J 37/0892; F24C 15/10; F24C 15/102

See application file for complete search history.

(57) **CLAIM**
The ornamental design for a food preparation device, as shown and described.

DESCRIPTION

FIG. 1 is a perspective view of a food preparation device showing my new design;
FIG. 2 is a front view of the embodiment shown in FIG. 1;
FIG. 3 is a rear view of the embodiment shown in FIG. 1;
FIG. 4 is a side view of the embodiment shown in FIG. 1;
FIG. 5 is another side view of the embodiment shown in FIG. 1;
FIG. 6 is a top view of the embodiment shown in FIG. 1; and,
FIG. 7 is a bottom view of the embodiment shown in FIG. 1.
The broken lines in the drawings are for environmental purposes only and form no part of the claimed design.

1 Claim, 5 Drawing Sheets



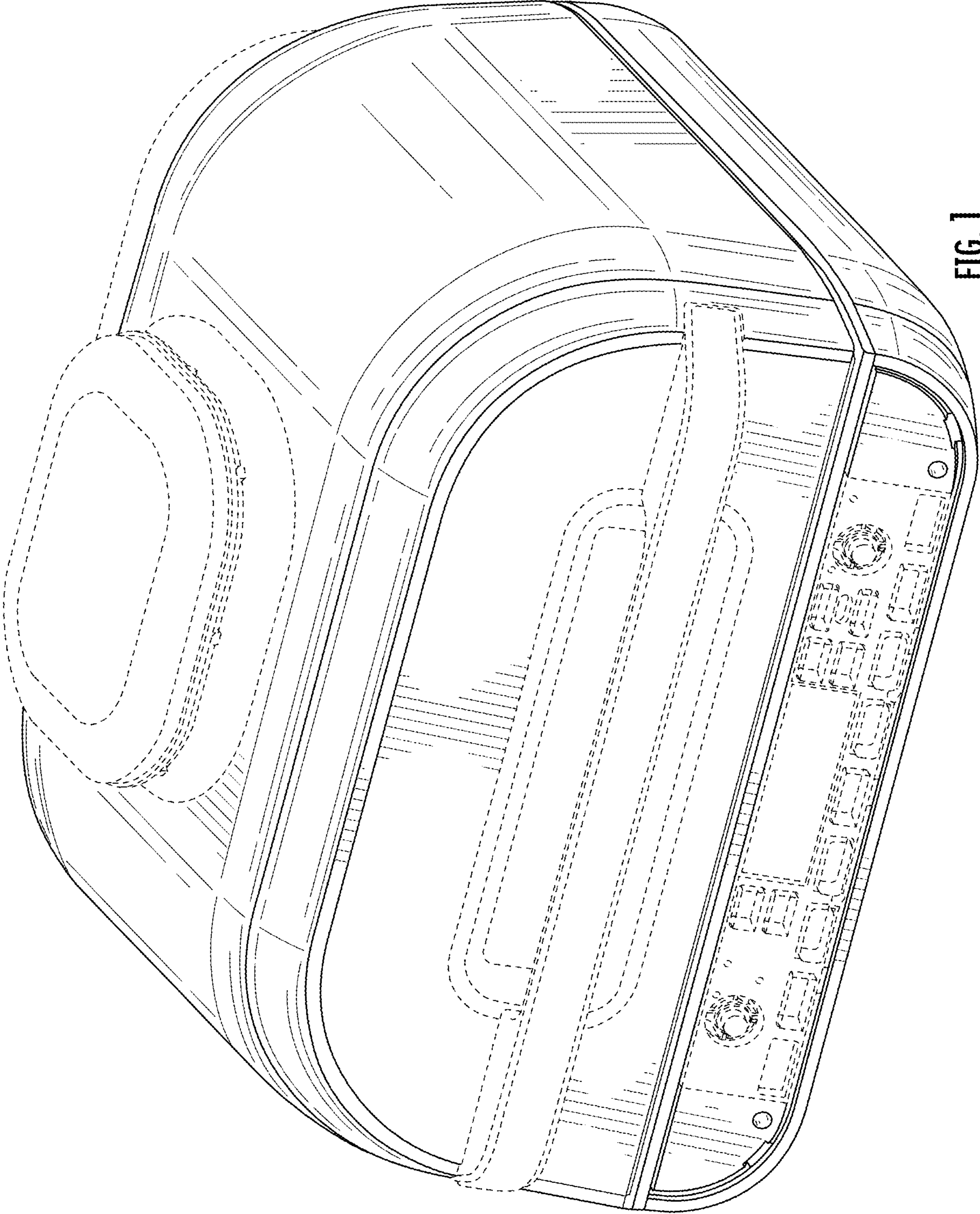


FIG. 1

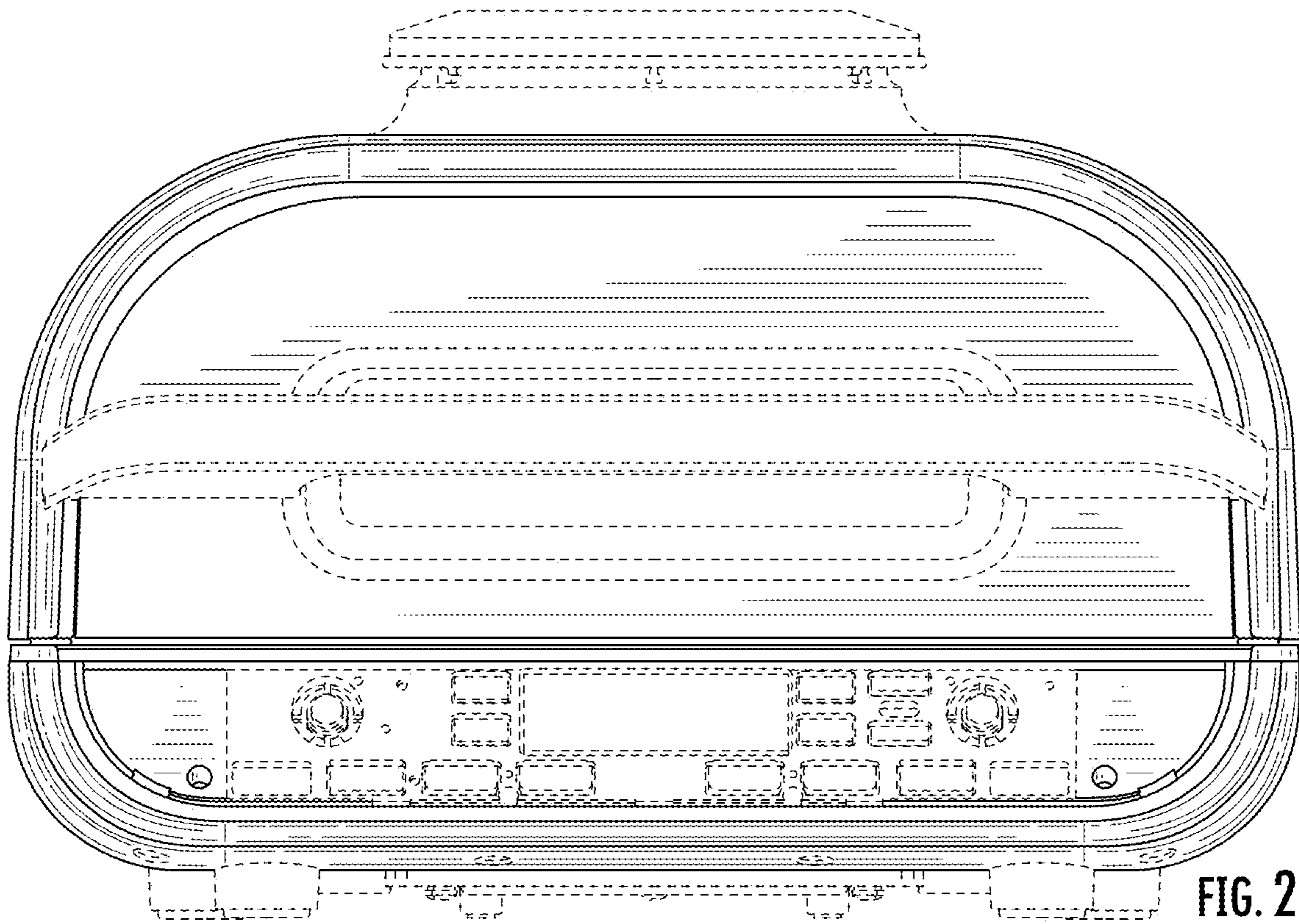


FIG. 2

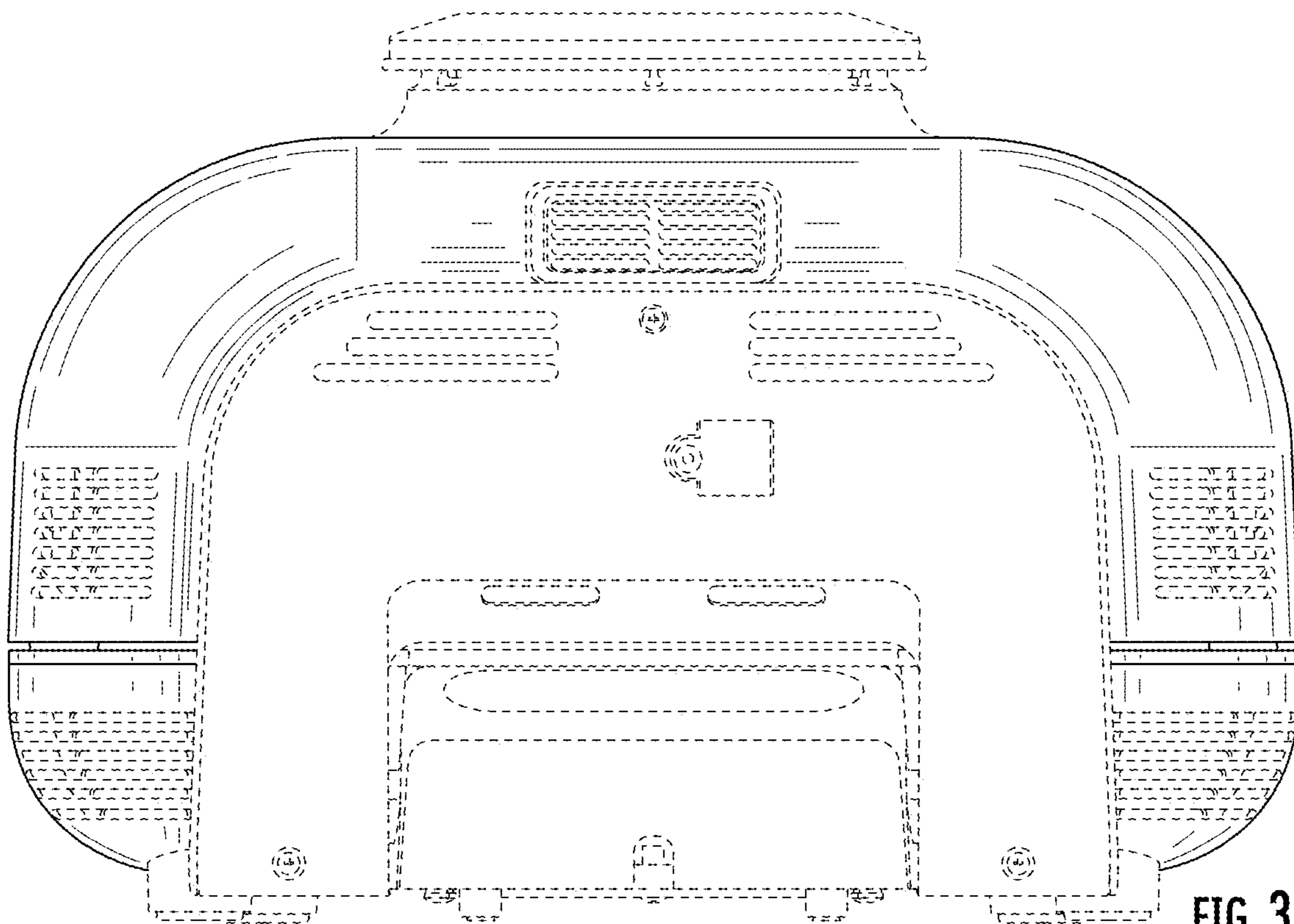


FIG. 3

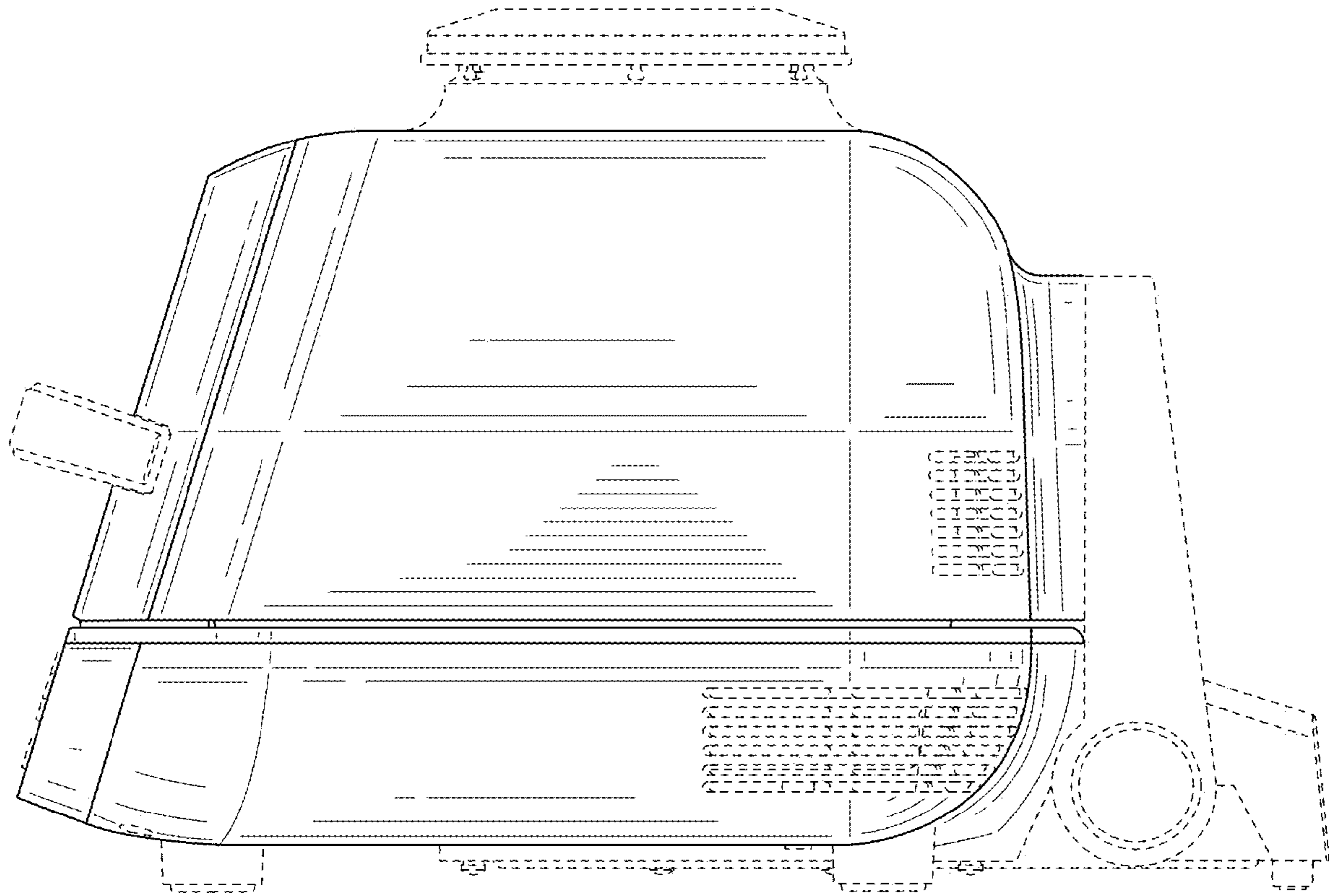


FIG. 4

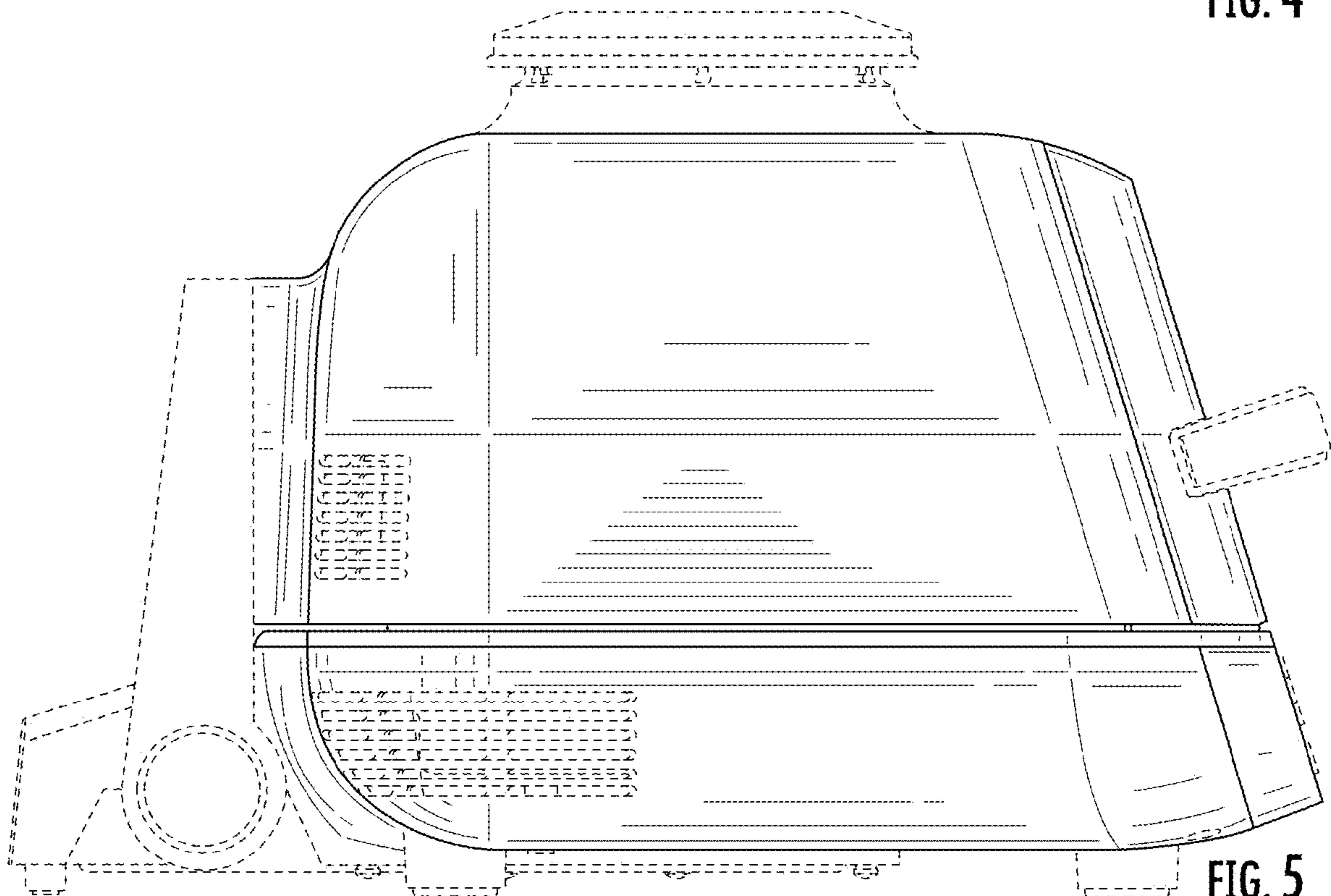


FIG. 5

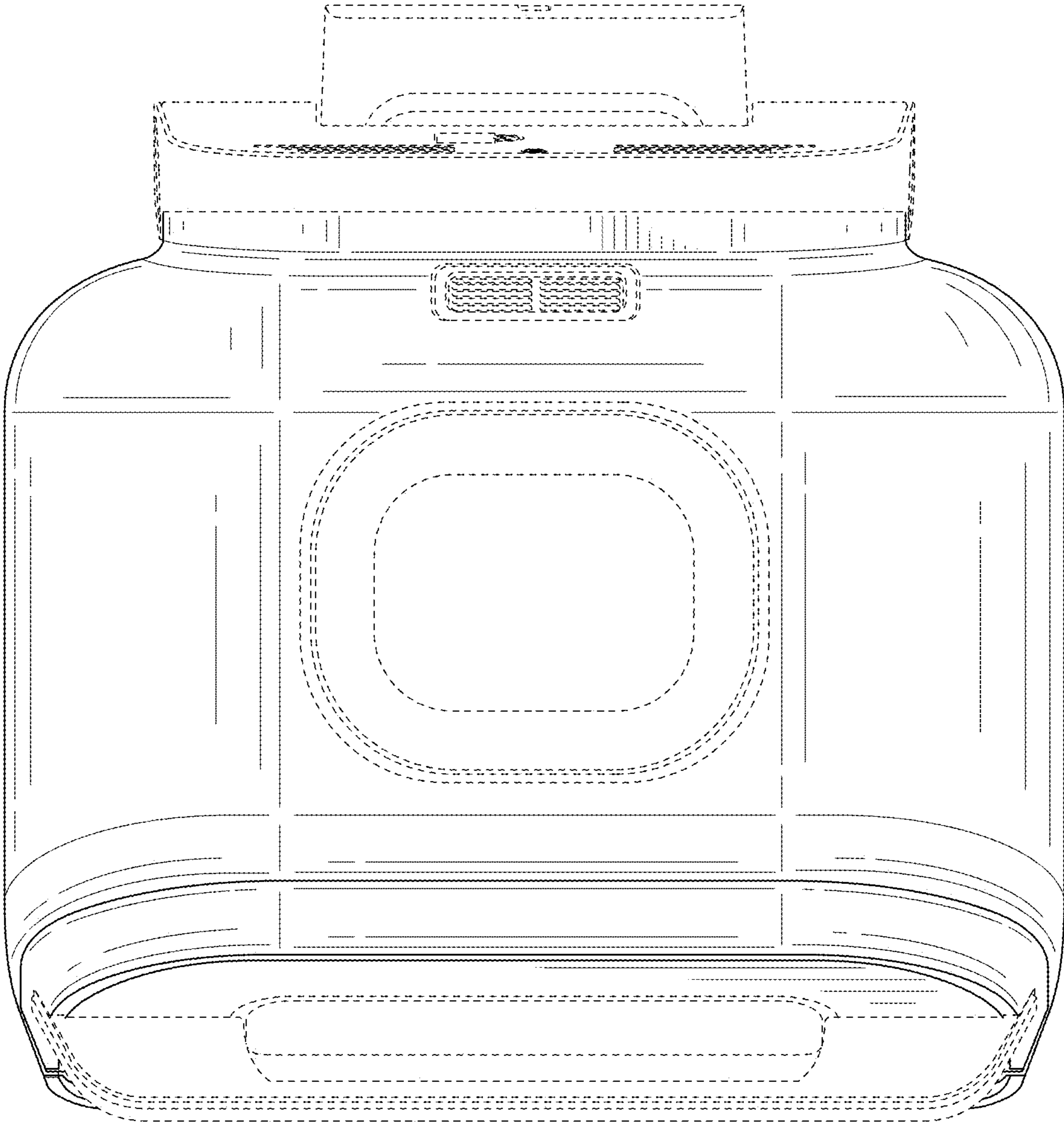


FIG. 6

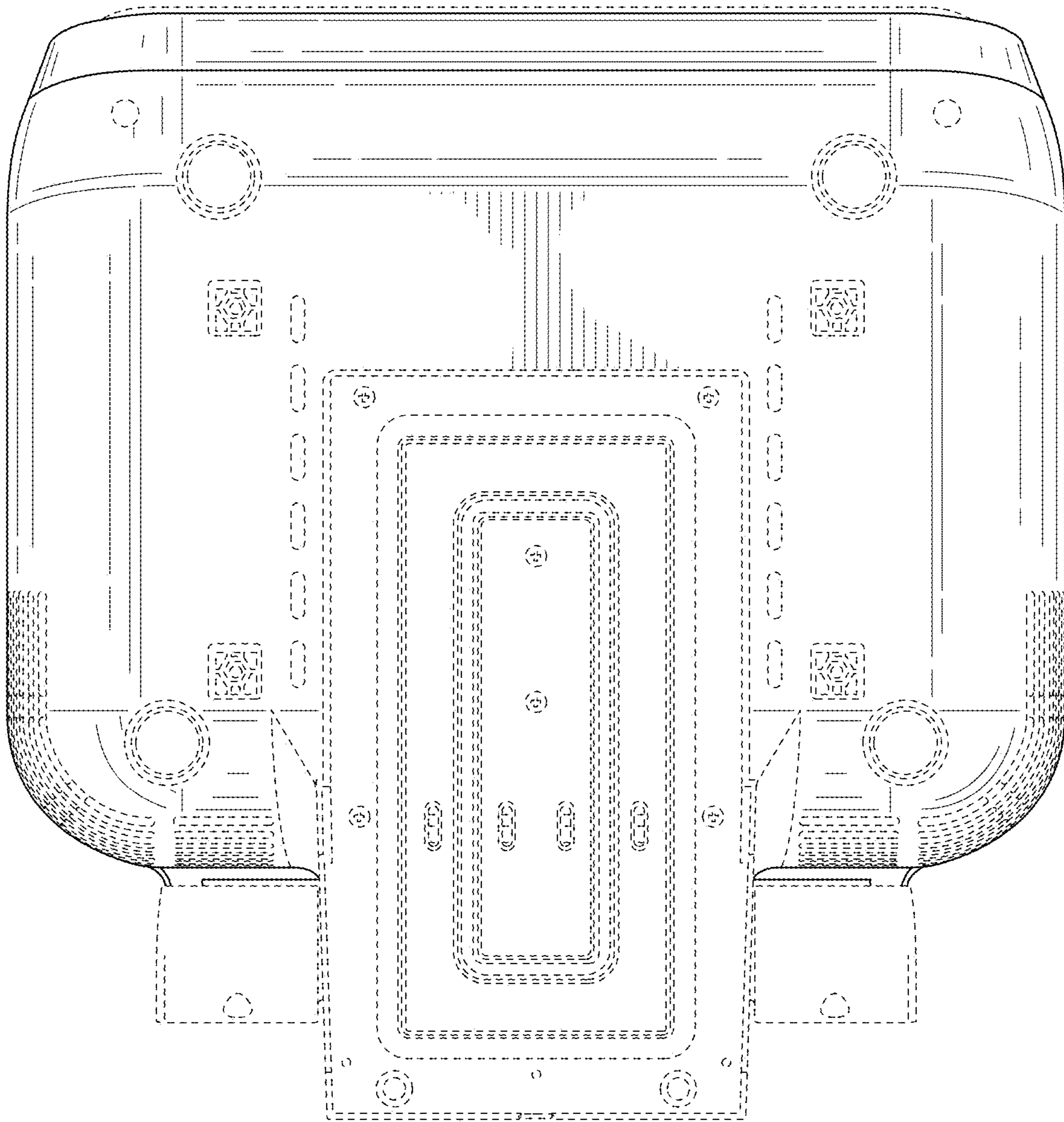


FIG. 7