



US00D975487S

(12) **United States Design Patent**  
**Melkonian**

(10) **Patent No.:** **US D975,487 S**  
(45) **Date of Patent:** **\*\* Jan. 17, 2023**

(54) **DISPENSER**

(71) Applicant: **Brio Water Technology, Inc.**, City of Industry, CA (US)

(72) Inventor: **Arman Melkonian**, Granada Hills, CA (US)

(73) Assignee: **Brio Water Technology, Inc.**, City of Industry (CA)

(\*\*) Term: **15 Years**

(21) Appl. No.: **29/776,538**

(22) Filed: **Mar. 30, 2021**

(51) **LOC (14) Cl.** ..... **07-01**

(52) **U.S. Cl.**  
USPC ..... **D7/313; D7/311**

(58) **Field of Classification Search**  
USPC ..... D7/507, 509, 510, 511, 529, 531, 532, D7/523, 392.1, 296.1, 396.2, 300.1, 608, D7/311, 313; D3/202; D9/449, 435, D9/436, 440, 450  
CPC ..... A47G 19/22; A47G 19/2288; A47G 19/2205; A47J 41/0077; A47J 41/0088  
See application file for complete search history.

(56) **References Cited**

**U.S. PATENT DOCUMENTS**

D310,612 S	9/1990	Desrosiers	
D322,534 S	12/1991	Chaney	
D394,185 S	5/1998	Eddy et al.	
D399,088 S	10/1998	Chaney	
D580,207 S	11/2008	Moon et al.	
D608,130 S *	1/2010	Moon	..... D7/313
D623,885 S	9/2010	Wang	
D630,741 S	1/2011	Tenger et al.	
D635,812 S	4/2011	Wang	
D642,849 S	8/2011	Wang	
D643,239 S	8/2011	Wang	
D643,666 S	8/2011	Yui	

D643,667 S	8/2011	Yui	
D644,712 S	9/2011	Seo et al.	
D660,636 S	5/2012	Wang	
D663,154 S	7/2012	Wang	
D702,985 S	4/2014	Brown et al.	
8,727,183 B2	5/2014	Stewart-Barnett	
D714,580 S *	10/2014	Moon	..... D7/307
D787,250 S	5/2017	Walton et al.	

(Continued)

**FOREIGN PATENT DOCUMENTS**

CN	305067990	3/2019
CN	305358746	9/2019

(Continued)

**OTHER PUBLICATIONS**

[https://www.amazon.com/dp/B08HJ4NCQ9/ref=cm\\_sw\\_em\\_r\\_mt\\_dp\\_B06H180WY4DM2DGND0AD?\\_encoding=UTF8](https://www.amazon.com/dp/B08HJ4NCQ9/ref=cm_sw_em_r_mt_dp_B06H180WY4DM2DGND0AD?_encoding=UTF8) (Year: 2020).\*

*Primary Examiner* — Jae Liang  
(74) *Attorney, Agent, or Firm* — Foundation Law Group LLP; Sevag Demirjian; JD Harriman

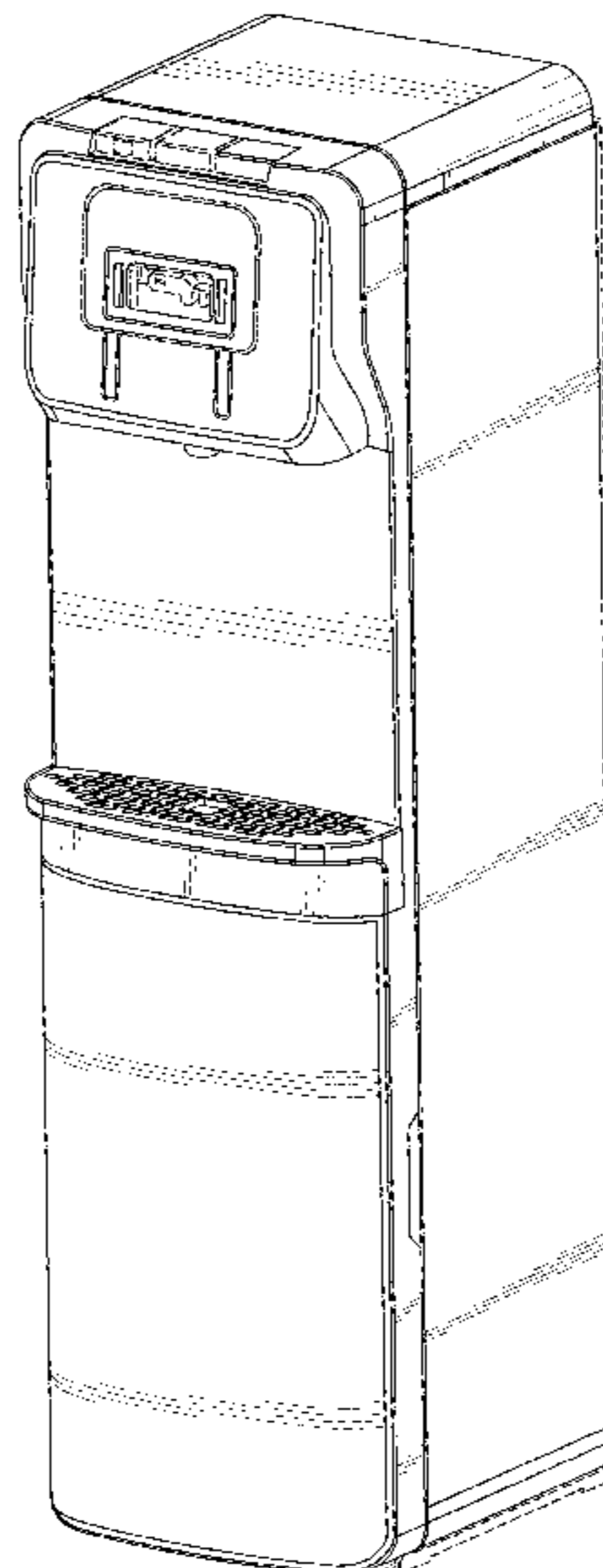
(57) **CLAIM**

The ornamental design for a dispenser, as shown and described.

**DESCRIPTION**

FIG. 1 is a top perspective view, showing my new design; FIG. 2 is a bottom perspective view thereof; FIG. 3 is a front elevation view thereof; FIG. 4 is a rear elevation view thereof; FIG. 5 is a left side elevation view thereof; FIG. 6 is a right-side view thereof; FIG. 7 is a top plan view thereof; and, FIG. 8 is a bottom plan view thereof. The broken lines depict portions of the dispenser that form no part of the claimed design.

**1 Claim, 8 Drawing Sheets**



(56)

**References Cited**

U.S. PATENT DOCUMENTS

D787,874 S	5/2017	Seum et al.	
D790,898 S *	7/2017	Taubman .....	D7/311
D795,629 S *	8/2017	Ullman .....	D7/311
D813,346 S *	3/2018	Lee .....	D23/207
D828,709 S *	9/2018	Wang .....	D7/307
D851,447 S *	6/2019	Walton .....	D7/397
D871,878 S	1/2020	Pozzo et al.	
D878,134 S *	3/2020	Rubin .....	D7/313
D884,407 S *	5/2020	Tan .....	D7/307
D932,225 S *	10/2021	Gates .....	D7/306

FOREIGN PATENT DOCUMENTS

CN	305738058	4/2020
CN	305796243	5/2020
CN	306074111	9/2020
CN	306088128	10/2020

\* cited by examiner

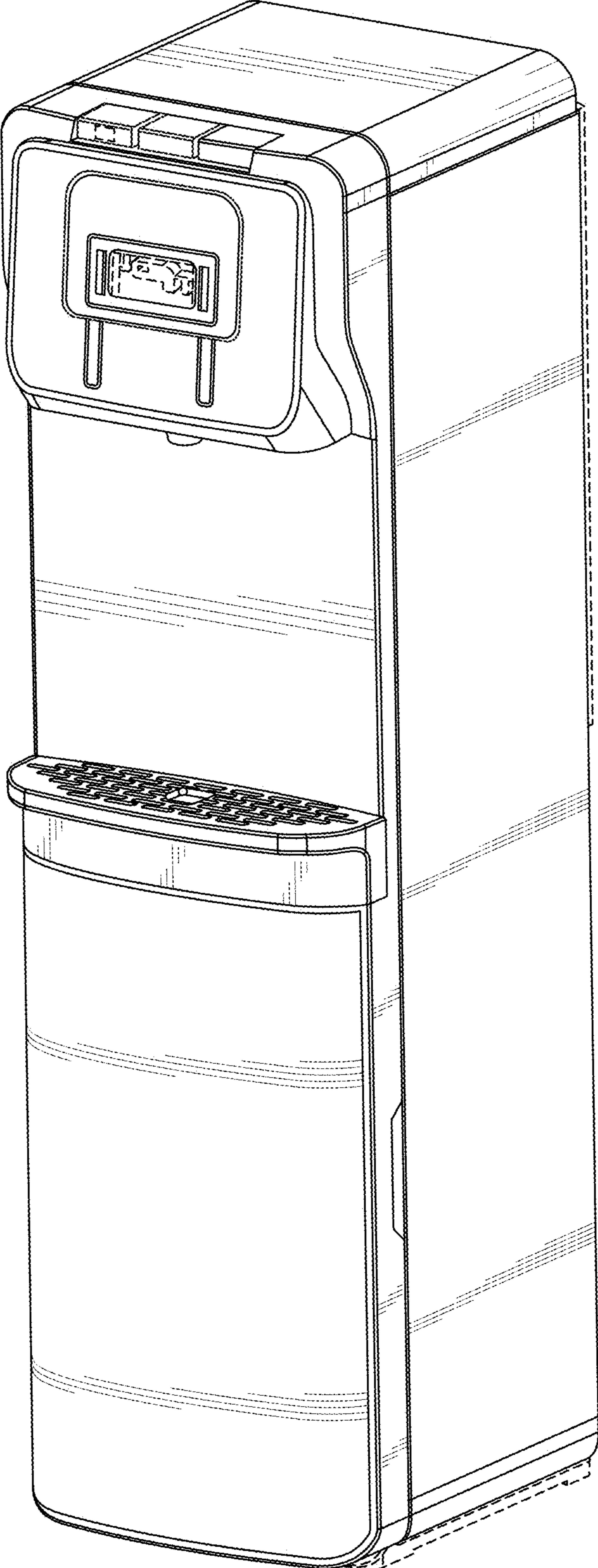


FIG. 1

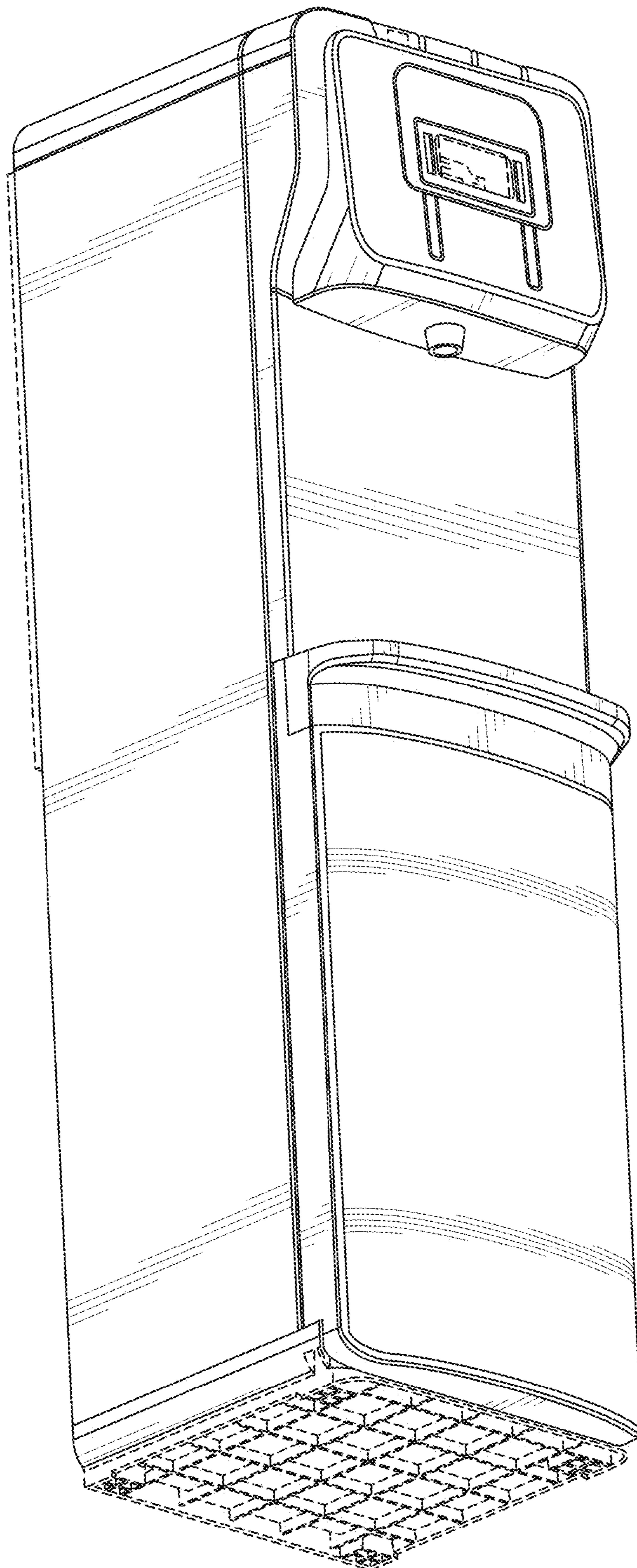


FIG. 2

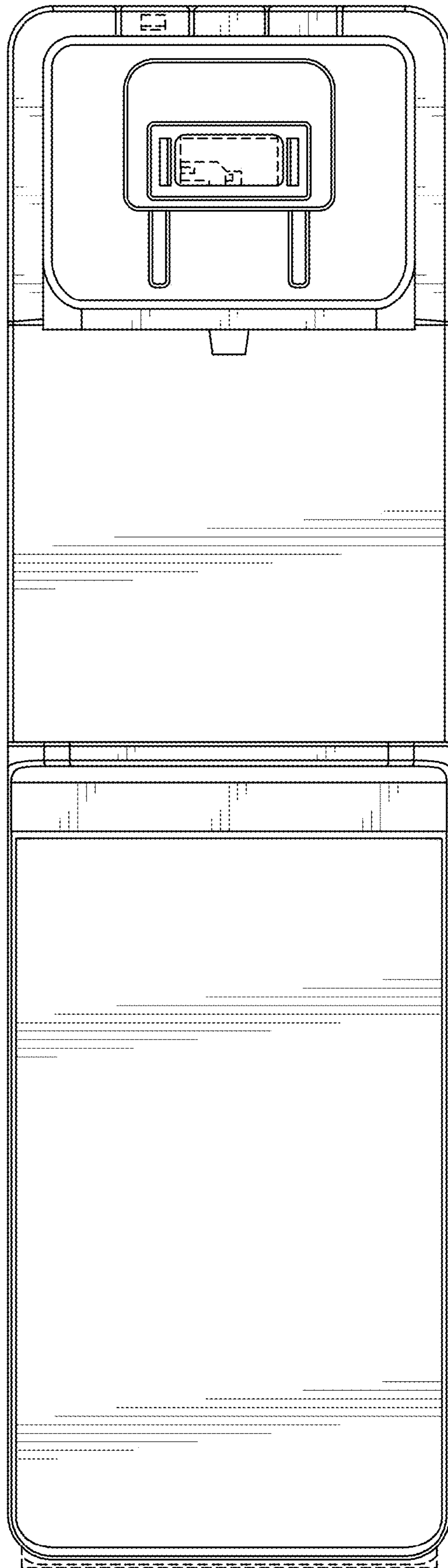


FIG. 3

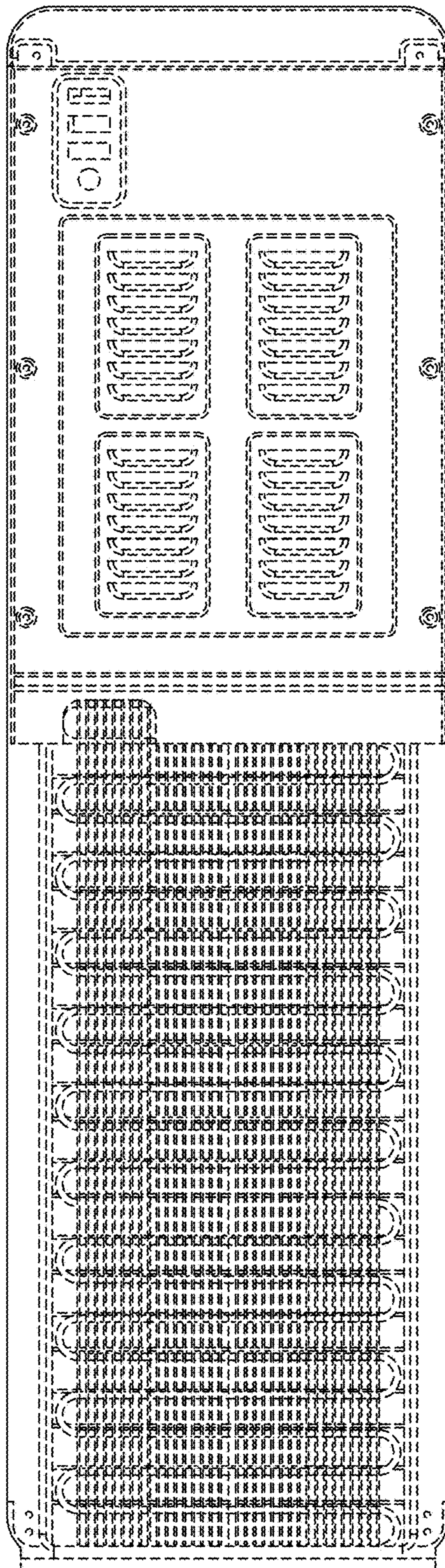


FIG. 4

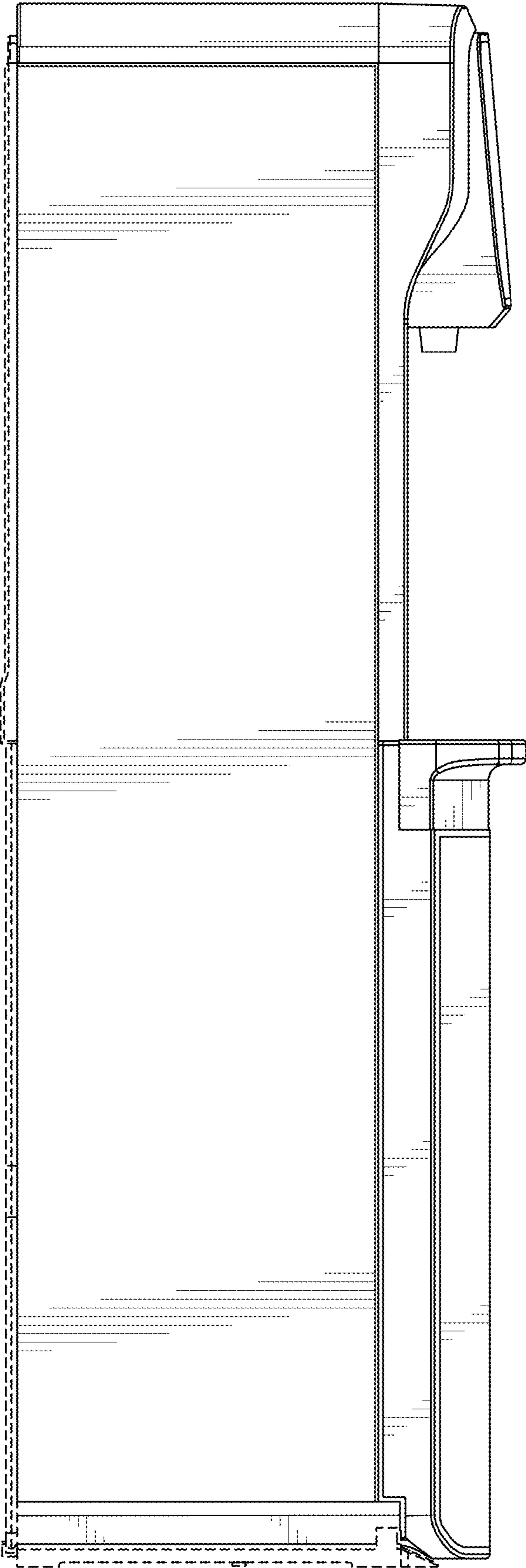


FIG. 5

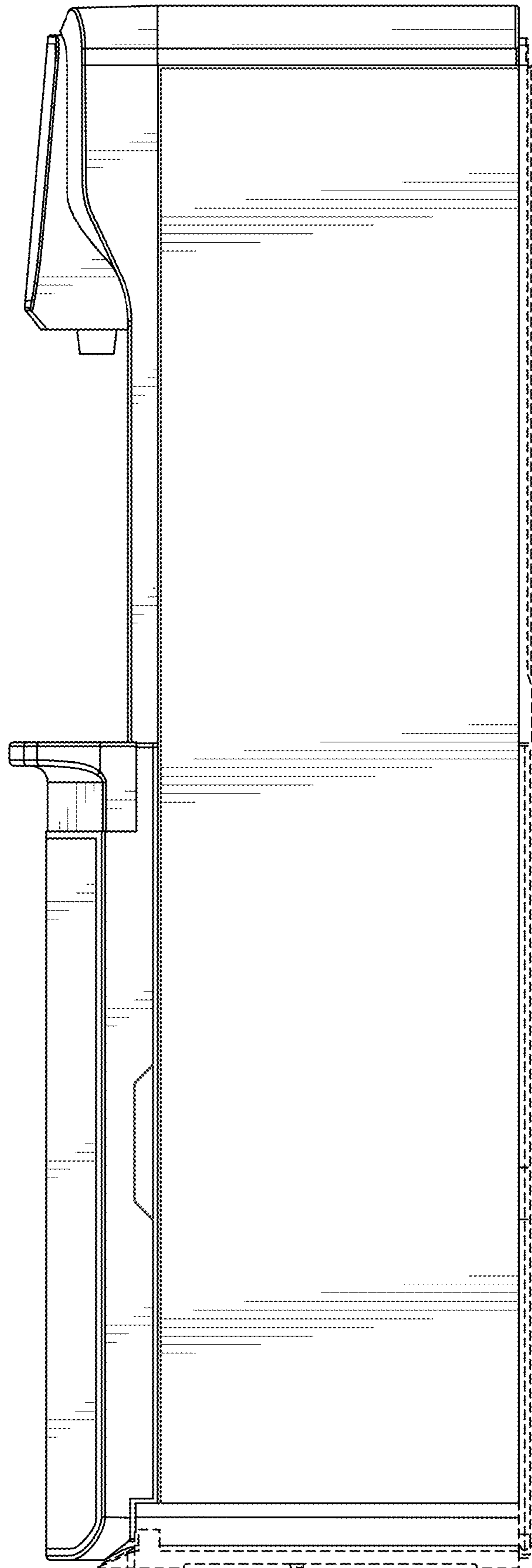


FIG. 6



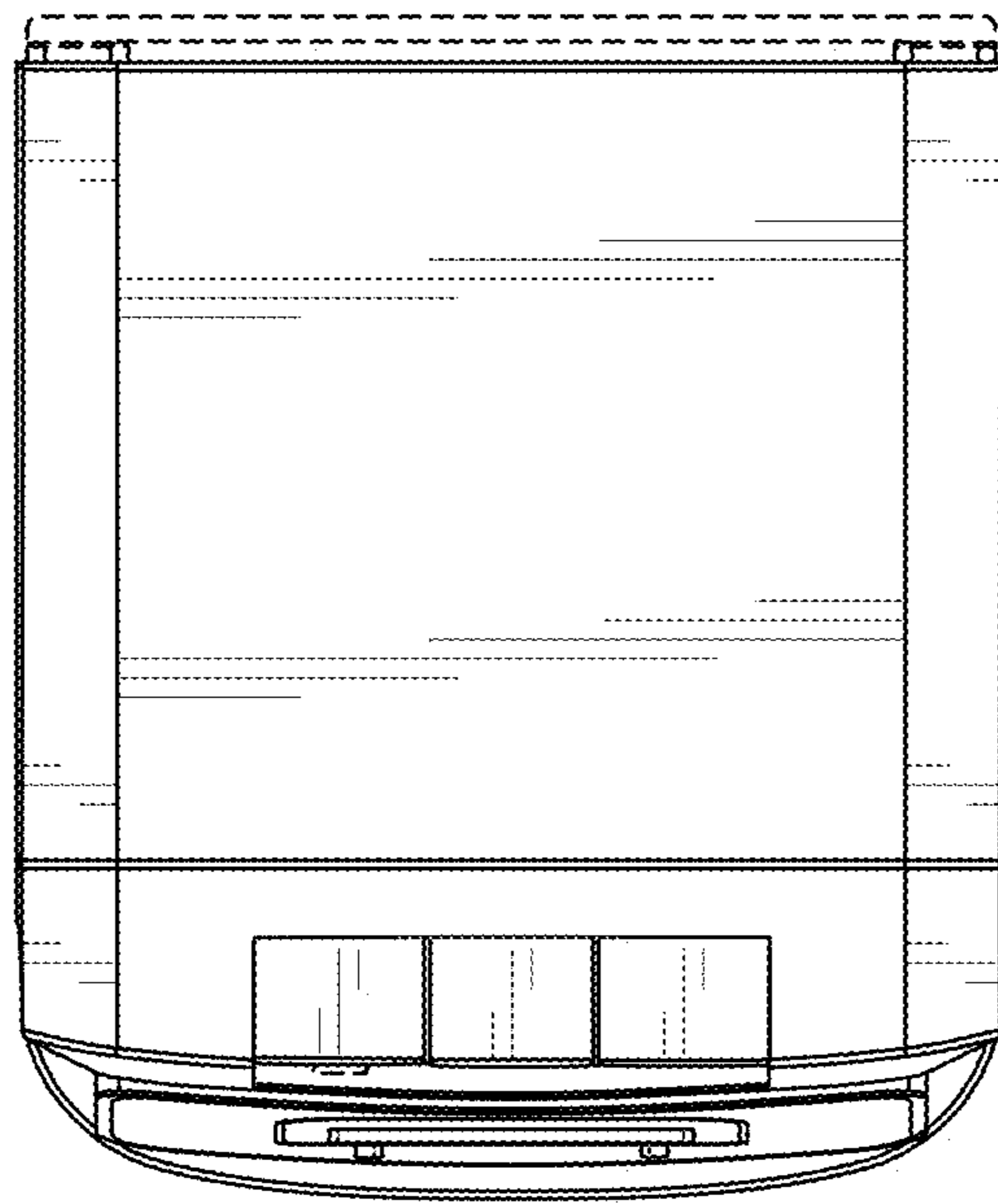


FIG. 7

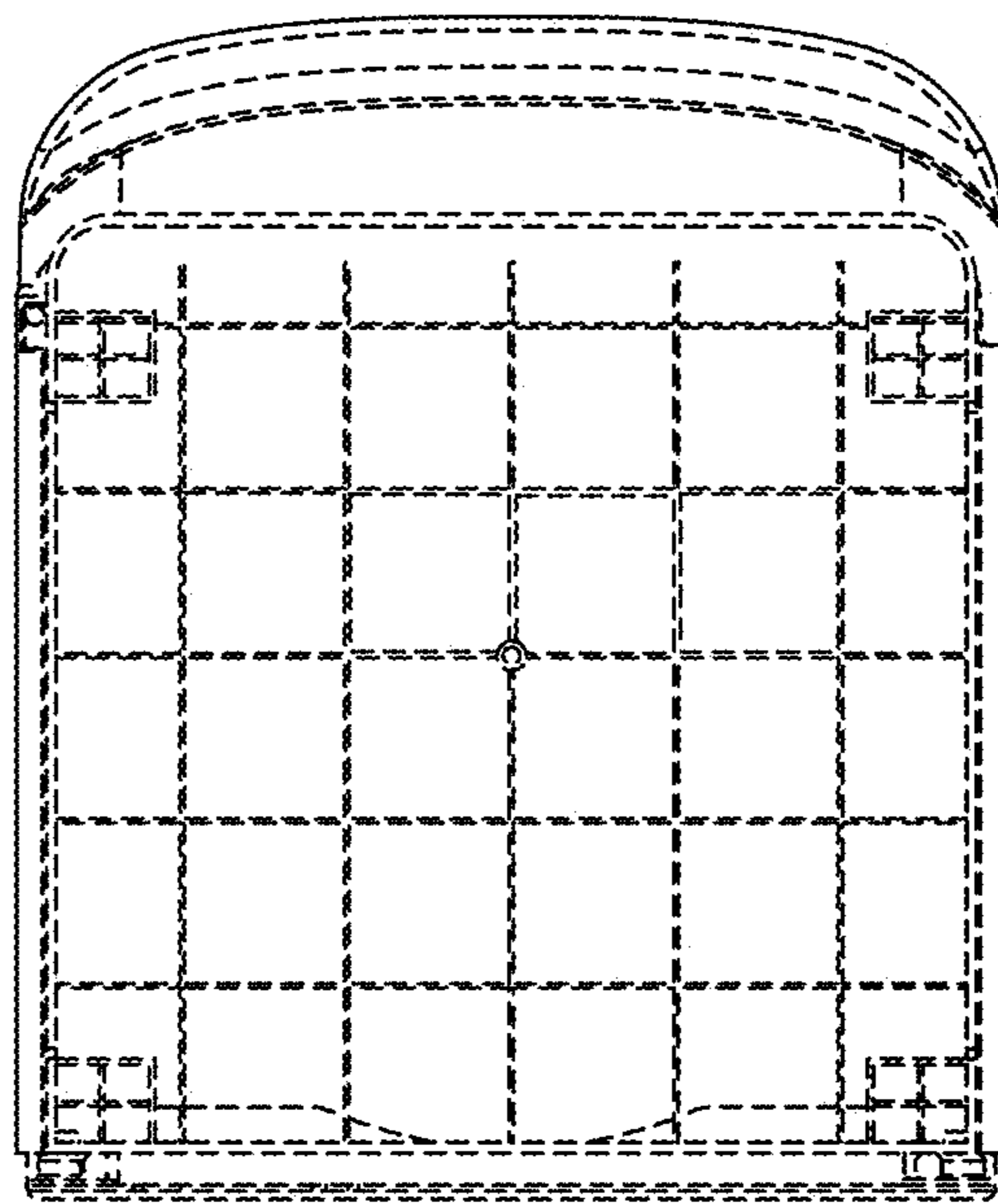


FIG. 8