



US00D975484S

(12) **United States Design Patent** (10) **Patent No.:** **US D975,484 S**
Seidl et al. (45) **Date of Patent:** **** Jan. 17, 2023**

(54) **MACHINE FOR PREPARING BEVERAGES**

FOREIGN PATENT DOCUMENTS

(71) Applicant: **Luigi Lavazza S.p.A.**, Turin (IT)
(72) Inventors: **Florian Seidl**, Turin (IT); **Angelica Rella**, Turin (IT)

CN 303972670 * 12/2016
EM 005308095-0006 * 4/2020
WO WO-D216406-001 * 3/2022

(73) Assignee: **Luigi Lavazza S.p.A.**, Turin (IT)

(**) Term: **15 Years**

(21) Appl. No.: **35/513,833**

(22) Filed: **Sep. 14, 2021**

(80) **Hague Agreement Data**

Int. Filing Date: **Sep. 14, 2021**
Int. Reg. No.: **DM/216406**
Int. Reg. Date: **Sep. 14, 2021**
Int. Reg. Pub. Date: **Mar. 18, 2022**

(51) **LOC (14) Cl.** **07-02**

(52) **U.S. Cl.**
USPC **D7/309; D7/311; D7/313**

(58) **Field of Classification Search**
CPC A47J 31/04; A47J 31/043; A47J 31/0573;
A47J 31/24; A47J 31/30; A47J 31/40;
A47J 31/42; A47J 31/44; A47J 31/4403;
A47J 31/4475; A47J 31/4489; A47J
31/52; A47J 31/56

See application file for complete search history.

(56) **References Cited**

U.S. PATENT DOCUMENTS

D618,950 S * 7/2010 Jaffe D7/397
D649,826 S * 12/2011 Garman D7/311
D685,600 S * 7/2013 White A47J 31/4403
D747,144 S * 1/2016 Sun D7/311
D758,120 S * 6/2016 Garman D7/311
D785,392 S * 5/2017 Palermo D7/311
D824,713 S * 8/2018 Steiner D7/311
D888,488 S * 6/2020 McColl D7/311

(Continued)

OTHER PUBLICATIONS

Evergreen's, "Proctor-Silex 49961 FlexBrew SingleServe Coffeemaker," Sep. 27, 2015, www.amazon.com/Proctor-Silex-49961-SingleServe-Coffeemaker-Compatible/dp/B015V06NM2?th=1 (Year: 2015).*

(Continued)

Primary Examiner — Joseph Kukella
Assistant Examiner — Arva P Adams
(74) *Attorney, Agent, or Firm* — Nixon & Vanderhye P.C.

(57) **CLAIM**

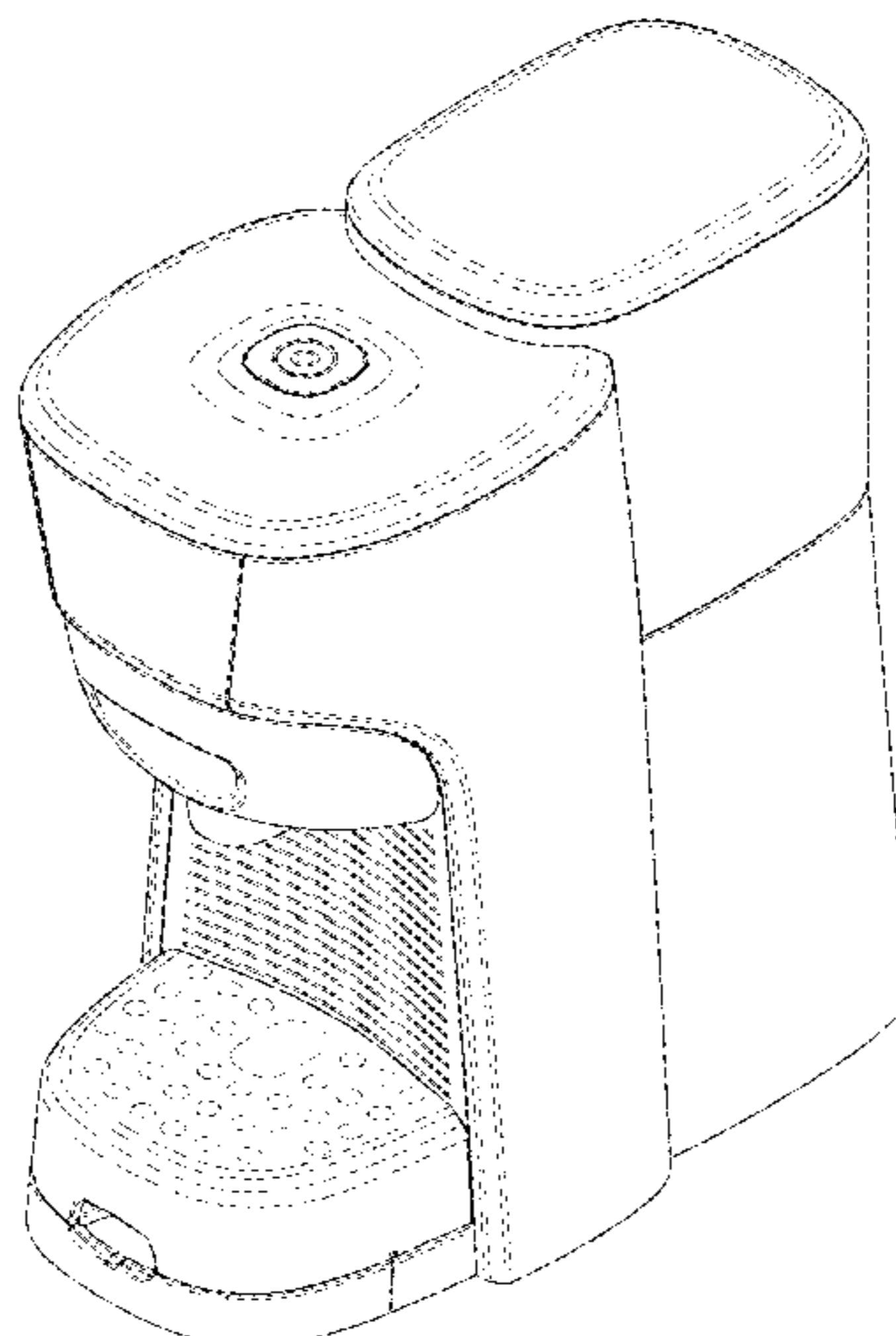
The ornamental design for a machine for preparing beverages, as shown and described.

DESCRIPTION

- 1. Machine for preparing beverages
- 1.1 : Perspective
- 1.2 : Perspective
- 1.3 : Left
- 1.4 : Right
- 1.5 : Front
- 1.6 : Back

FIG. 1.1 is a top right front perspective view of a machine for preparing beverages showing the design; FIG. 1.2 is a top left rear perspective view thereof; FIG. 1.3 is a left side elevational view thereof; FIG. 1.4 is a right side elevational view thereof; FIG. 1.5 is a front elevational view thereof; FIG. 1.6 is a rear elevational view thereof; the broken lines in the drawings are included for the purpose of illustrating portions of the article, and form no part of the claimed design.

1 Claim, 6 Drawing Sheets



(56)

References Cited

U.S. PATENT DOCUMENTS

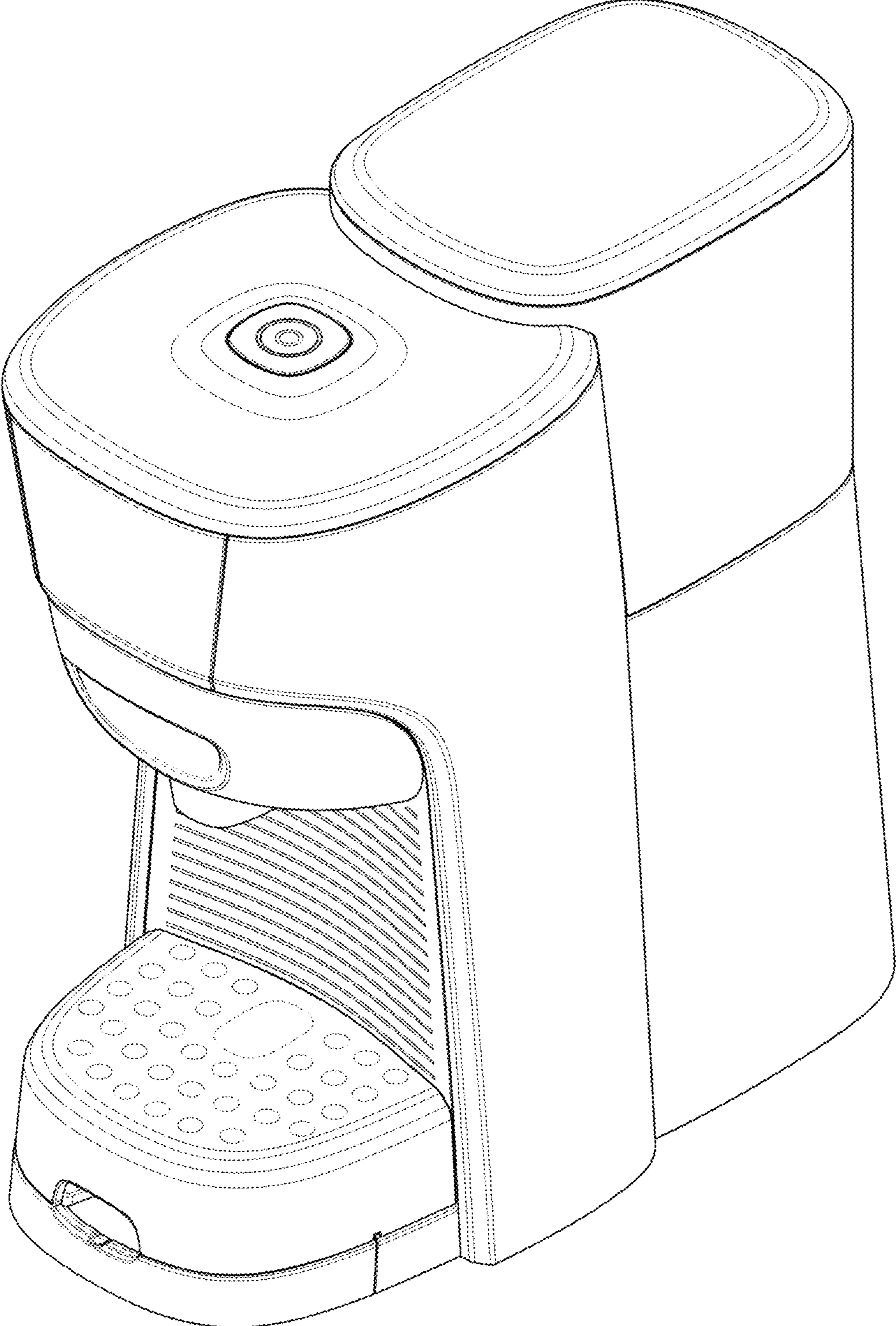
2010/0233338 A1* 9/2010 Garcia A47J 31/4403
426/431
2013/0164422 A1* 6/2013 McCormick A47J 31/0573
426/433

OTHER PUBLICATIONS

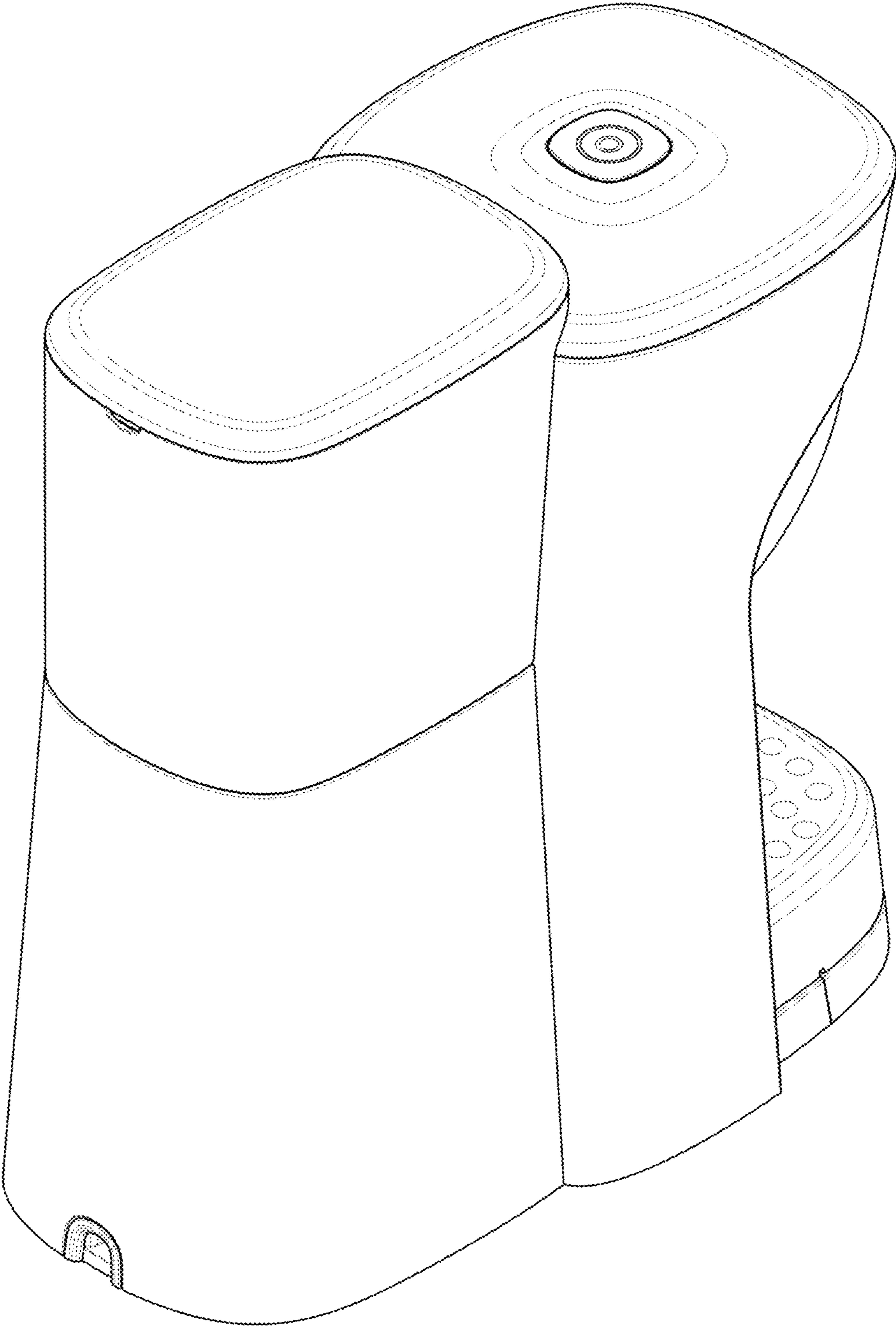
Brentwood, "Black Single-Serve Coffee Maker," May 2, 2021,
Lowe's, www.lowes.com/pd/brentwood-Brentwood-Single-Serve-Coffee-Maker-In-Black-with-Mug/5000311423 (Year: 2021).*

* cited by examiner

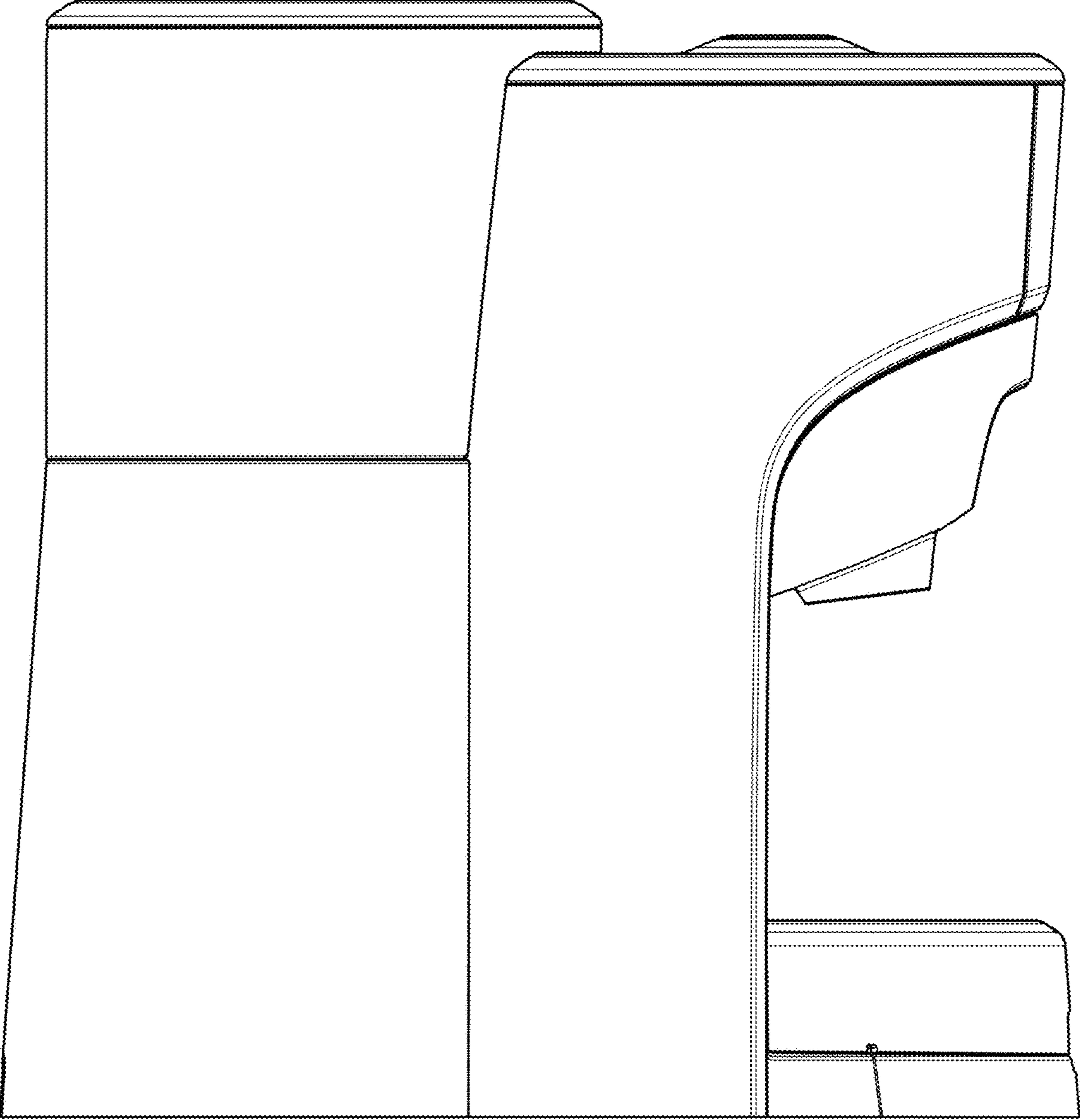
1.1



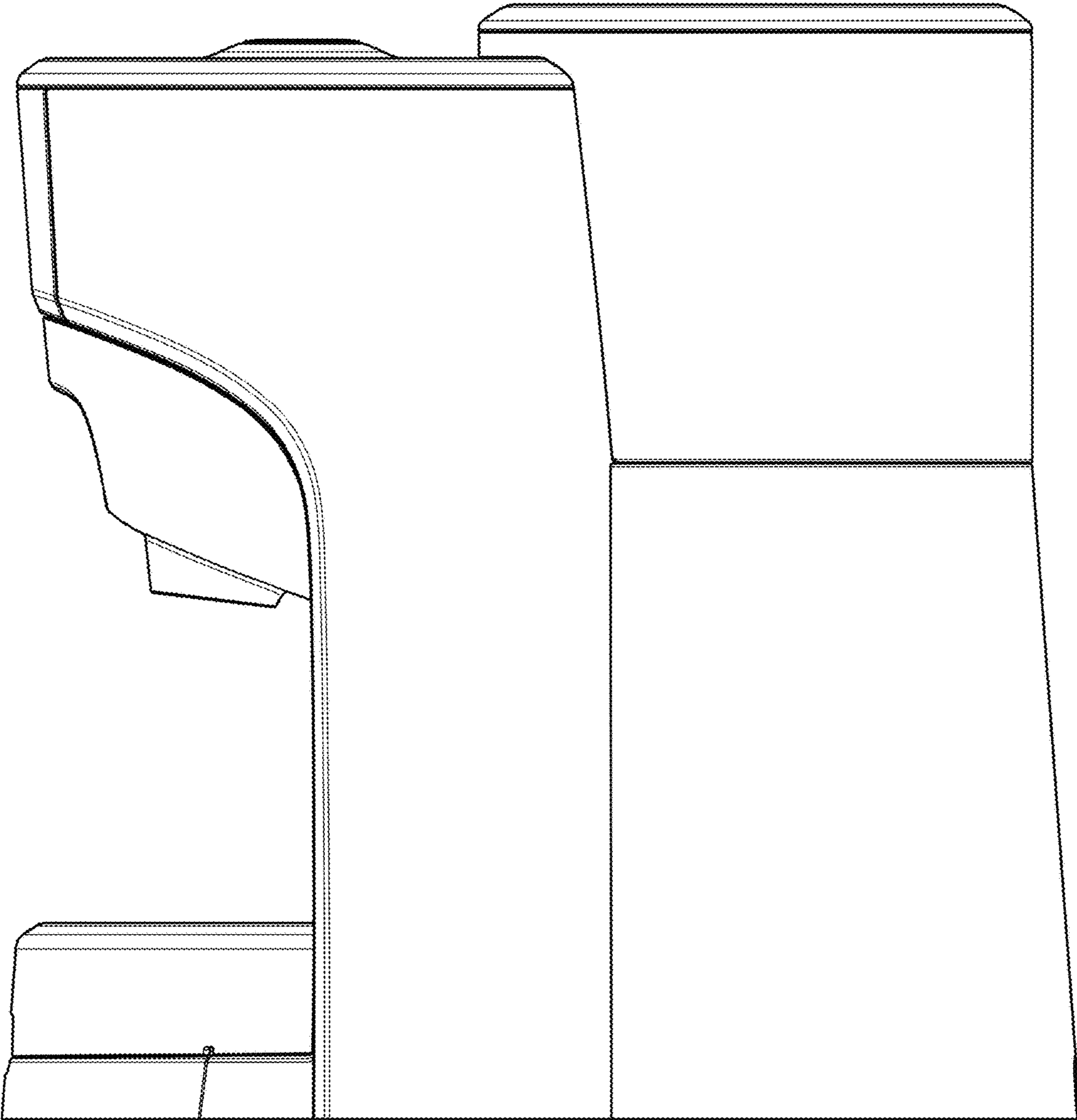
1.2



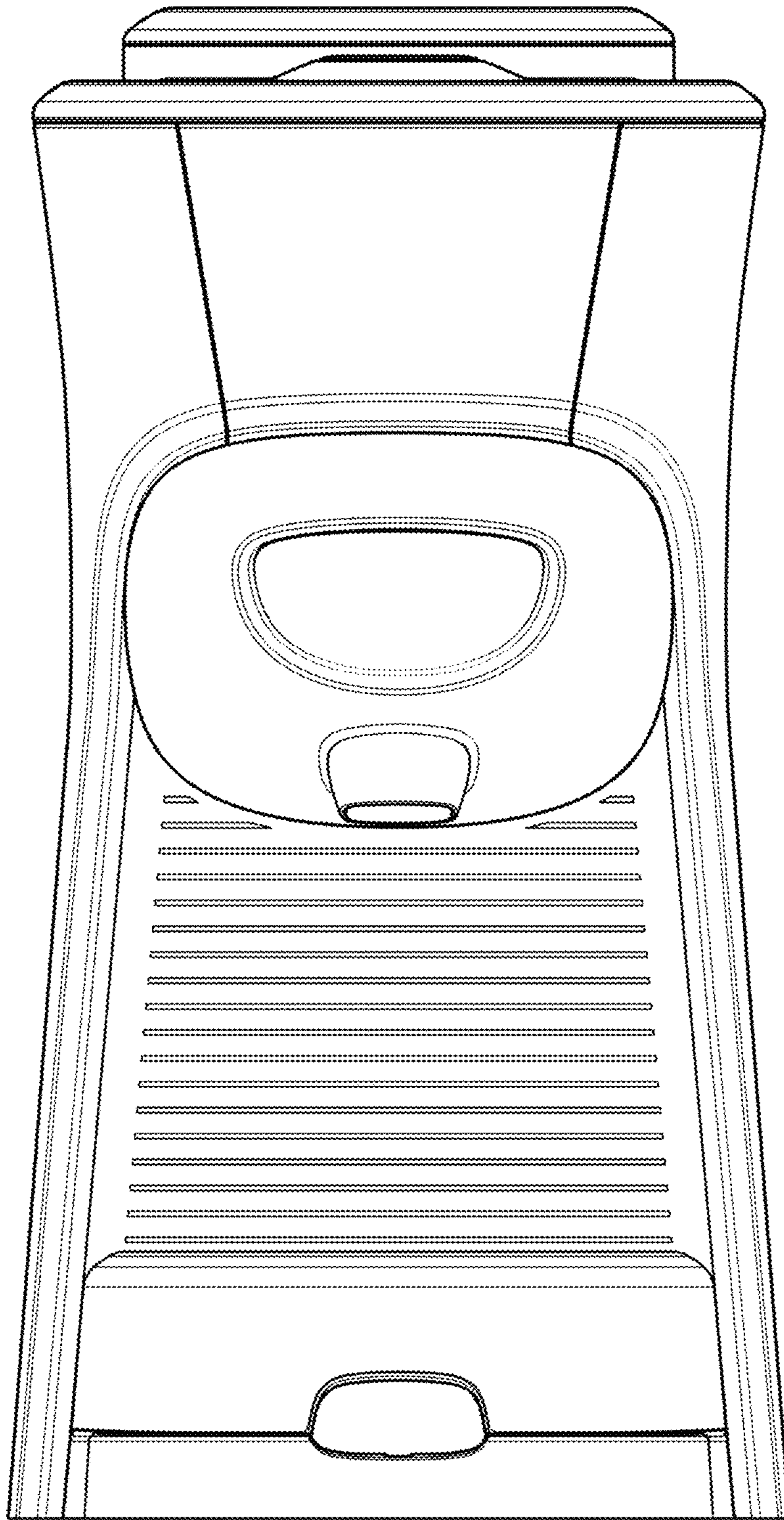
1.3



1.4



1.5



1.6

