



US00D975479S

(12) **United States Design Patent**
Raunkjaer

(10) **Patent No.:** **US D975,479 S**
(45) **Date of Patent:** **** Jan. 17, 2023**

(54) **TABLE**
(71) Applicant: **Houe ApS**, Ry (DK)
(72) Inventor: **Hans Thyge Raunkjaer**, Malling (DK)
(**) Term: **15 Years**
(21) Appl. No.: **35/513,140**
(22) Filed: **Nov. 11, 2021**

D600,048 S * 9/2009 Weissenrieder D6/692.4
D604,060 S * 11/2009 Siomades D6/688.11
D668,478 S * 10/2012 Shokouhi D6/692
8,794,163 B1 * 8/2014 Shokouhi A47B 3/12
108/91
D782,855 S * 4/2017 Scagnellato D6/708.23
D793,135 S * 8/2017 Manente D6/692
D817,675 S * 5/2018 Starck D6/692
D820,014 S * 6/2018 Huang D6/692.1
D860,698 S * 9/2019 Godwin D6/707.22
D867,041 S * 11/2019 Grassinger D6/692
D890,556 S * 7/2020 Hay D6/692
D910,353 S * 2/2021 Guo D6/692

(80) **Hague Agreement Data**

Int. Filing Date: **Nov. 11, 2021**
Int. Reg. No.: **DM/217625**
Int. Reg. Date: **Nov. 11, 2021**
Int. Reg. Pub. Date: **Dec. 10, 2021**

(51) **LOC (14) Cl.** **06-03**
(52) **U.S. Cl.**
USPC **D6/692.1**

(58) **Field of Classification Search**
USPC D6/329, 349, 685, 692, 692.1, 692.2,
D6/692.3, 692.4, 692.5, 692.6
CPC . A47B 2013/026; A47B 13/003; A47B 13/00;
A47B 7/00
See application file for complete search history.

(56) **References Cited**

U.S. PATENT DOCUMENTS

D145,542 S * 9/1946 Sky D6/692.1
D190,998 S * 8/1961 Schultz D6/688
D204,391 S * 4/1966 Ohayashi D6/692.3
D227,966 S * 7/1973 Duern D6/696
4,005,661 A * 2/1977 Mason A47B 3/00
108/128
D292,762 S * 11/1987 Williamson D6/688.11
D377,279 S * 1/1997 Lenger D6/692.1
D482,215 S * 11/2003 Chadwick D6/692
D498,948 S * 11/2004 Risdon D6/691.1
D594,677 S * 6/2009 Arkitekter D6/692

OTHER PUBLICATIONS

“Nami Table.” Found online Nov. 8, 2022 at www.houe.com.
Product available from Spring 2022. Retrieved from URL: <https://houe.com/Products/Outdoor%20Tables/Model/NAMI%20Table?variantid=1048> (Year: 2022).*
“Petal Coffee Table.” Found online Nov. 8, 2022 at www.knoll.com.
Designed in 1960. Retrieved from URL: <https://www.knoll.com/product/petal-coffee-table> (Year: 1960).*

(Continued)

Primary Examiner — Mary Ann Calabrese
Assistant Examiner — Katelin G Kloberg

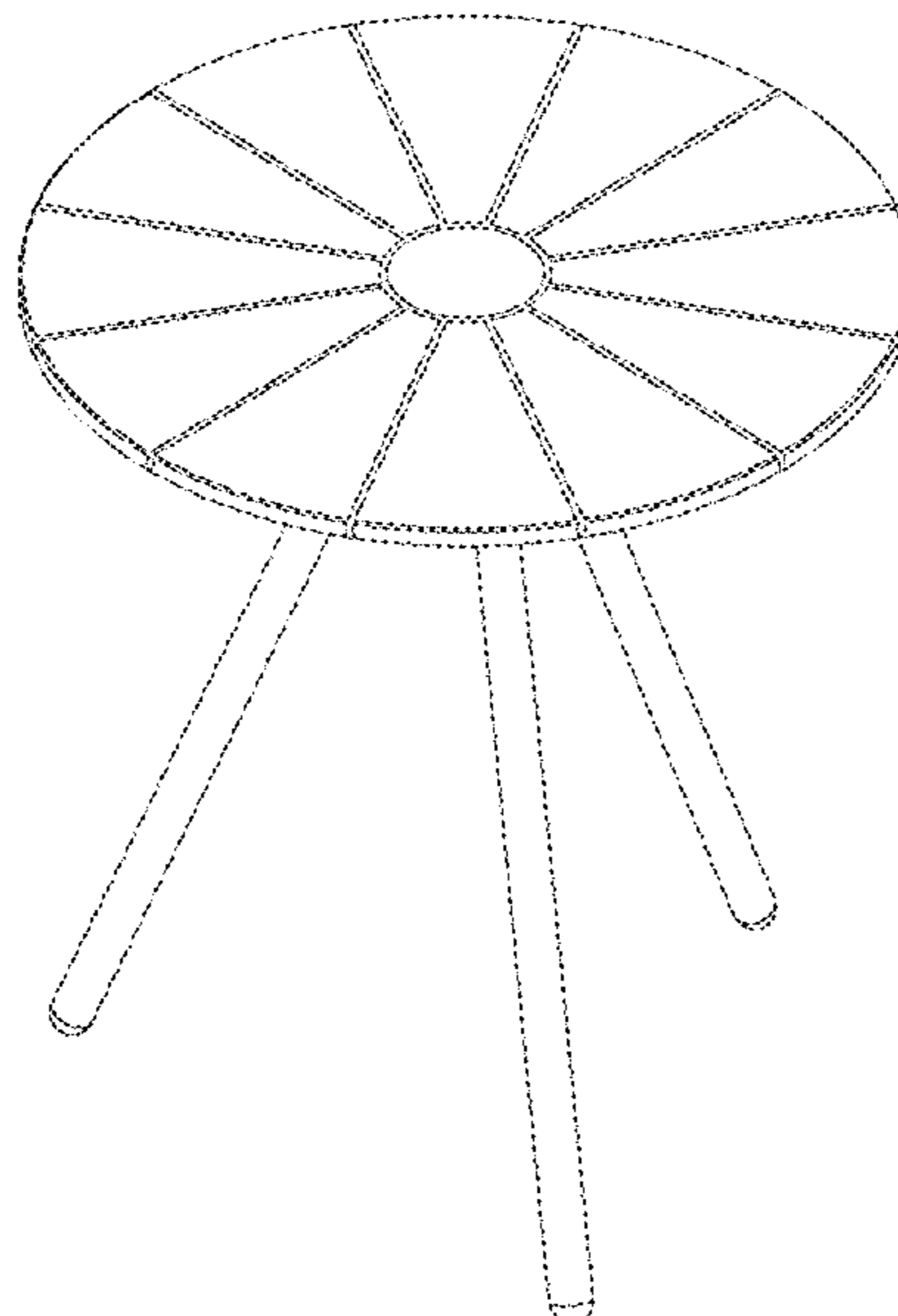
(57) **CLAIM**

The ornamental design for a table, as shown and described.

DESCRIPTION

- 1. Table
- 1.1 : Perspective
- 1.2 : Front
- 1.3 : Right
- 1.4 : Left
- 1.5 : Bottom
- 1.6 : Back
- 1.7 : Top

1 Claim, 7 Drawing Sheets



(56)

References Cited

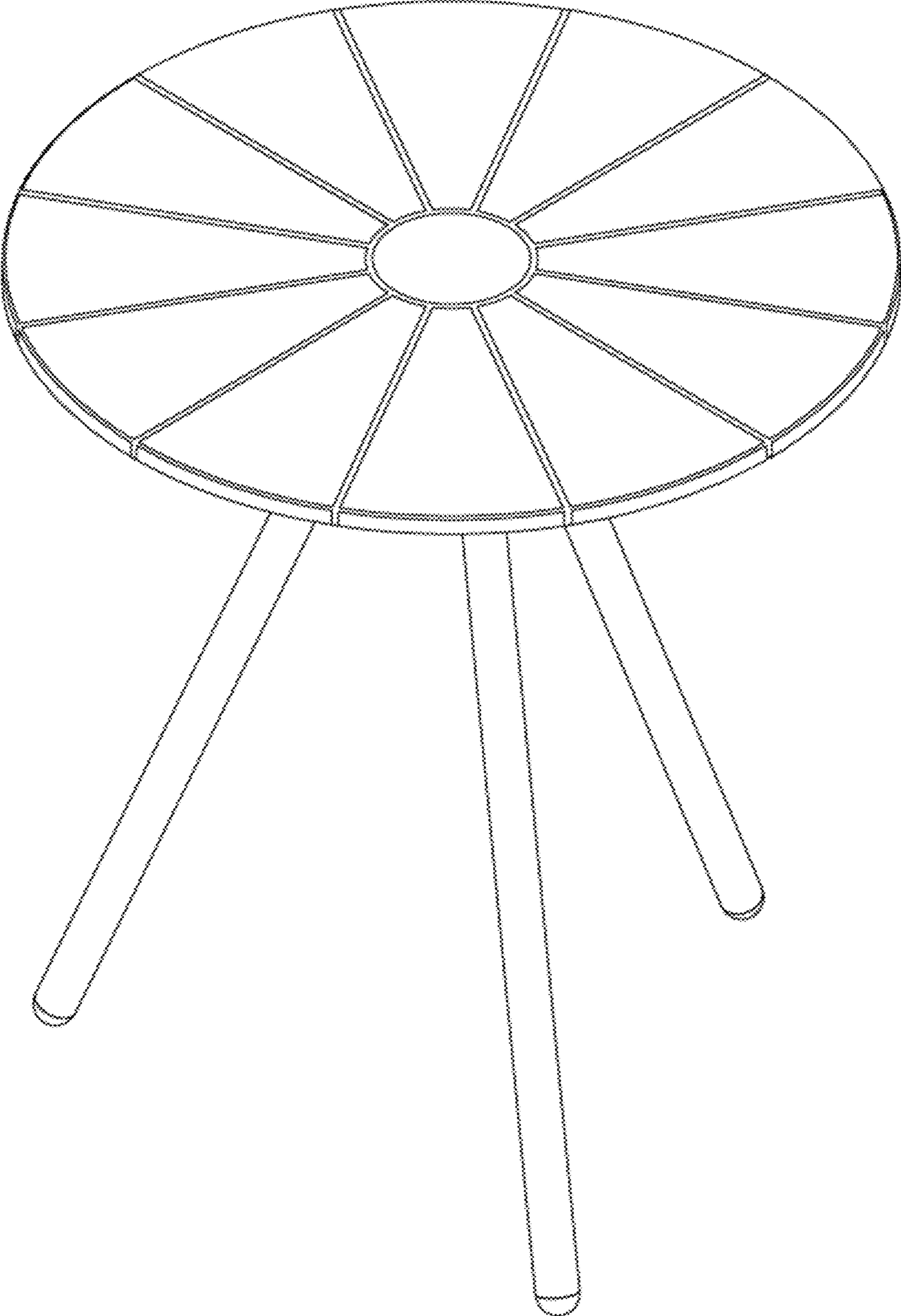
OTHER PUBLICATIONS

“Bistro indoor round dining table—Expormim.” Found online Nov. 8, 2022 at www.expormim.com. Product dated 2017. Retrieved from URL: <https://www.expormim.com/us/indoor-furniture/tables/bistro-indoor-round-dining-table/> (Year: 2017).*

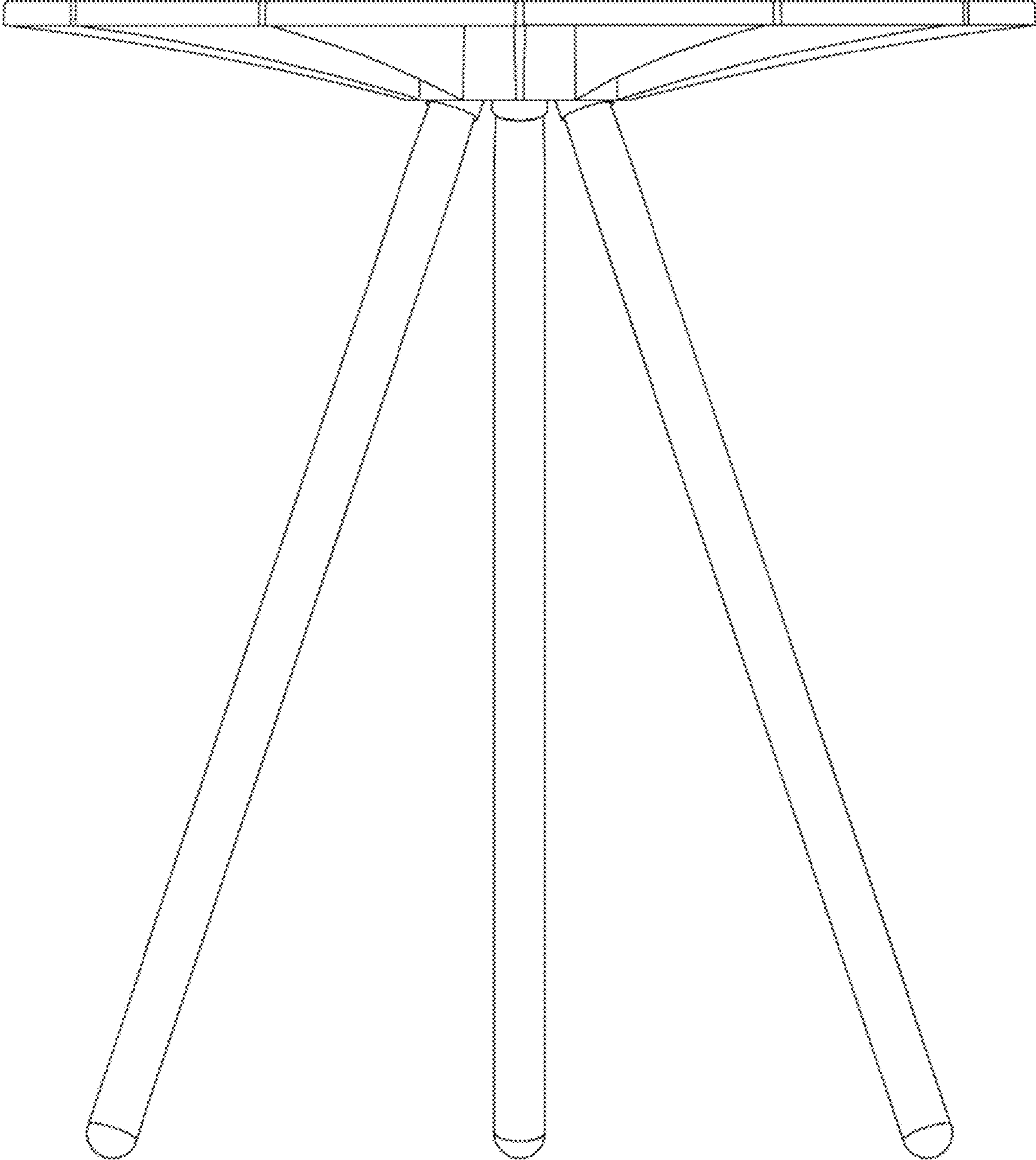
“Copenhagen 20 Dining Table.” Found online Nov. 8, 2022 at www.dwr.com. Product dated 2013. Retrieved from URL: <https://www.dwr.com/kitchen-dining-tables/copenhagen-20-dining-table/100249532.html> (Year: 2013).*

* cited by examiner

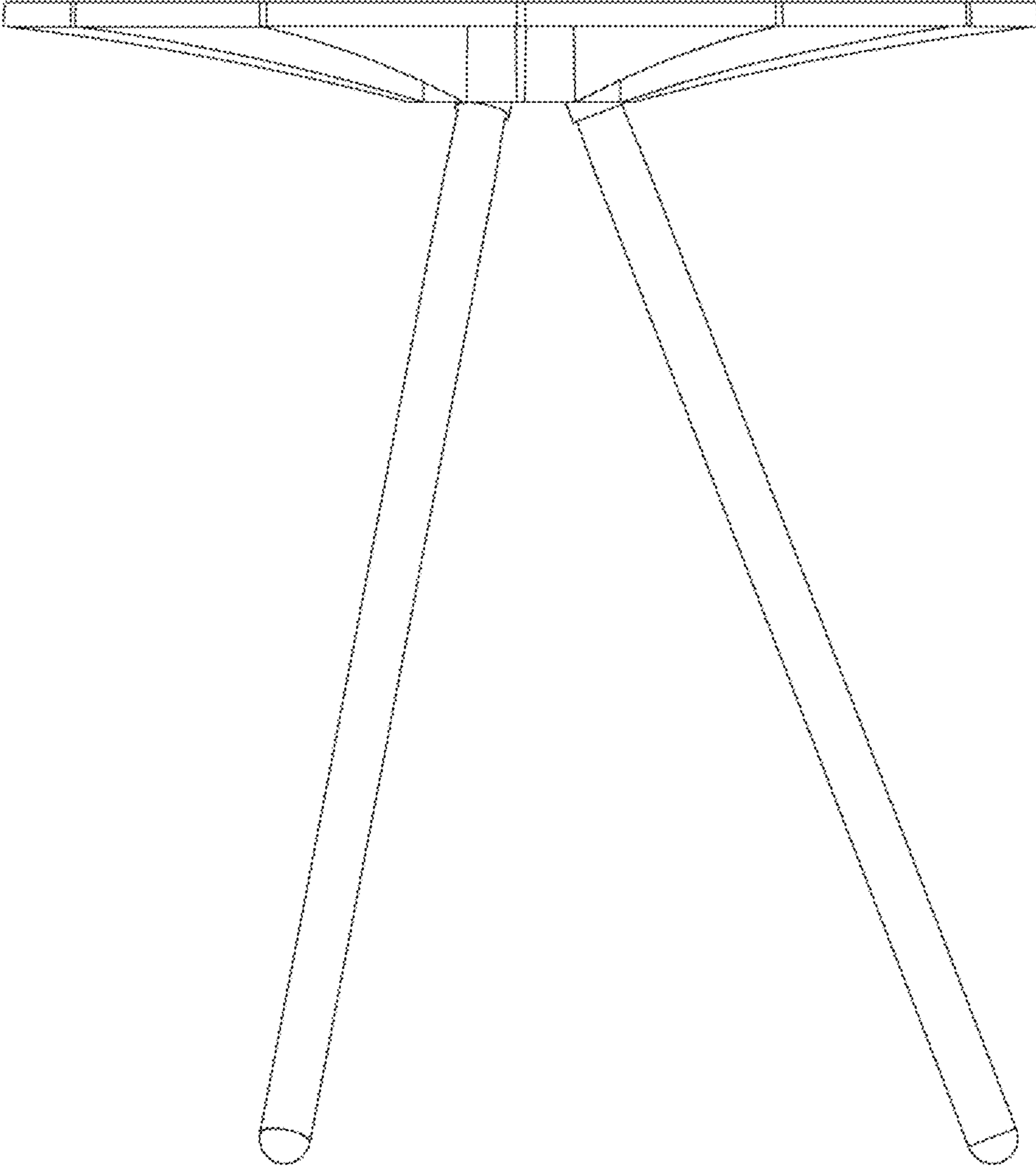
1.1



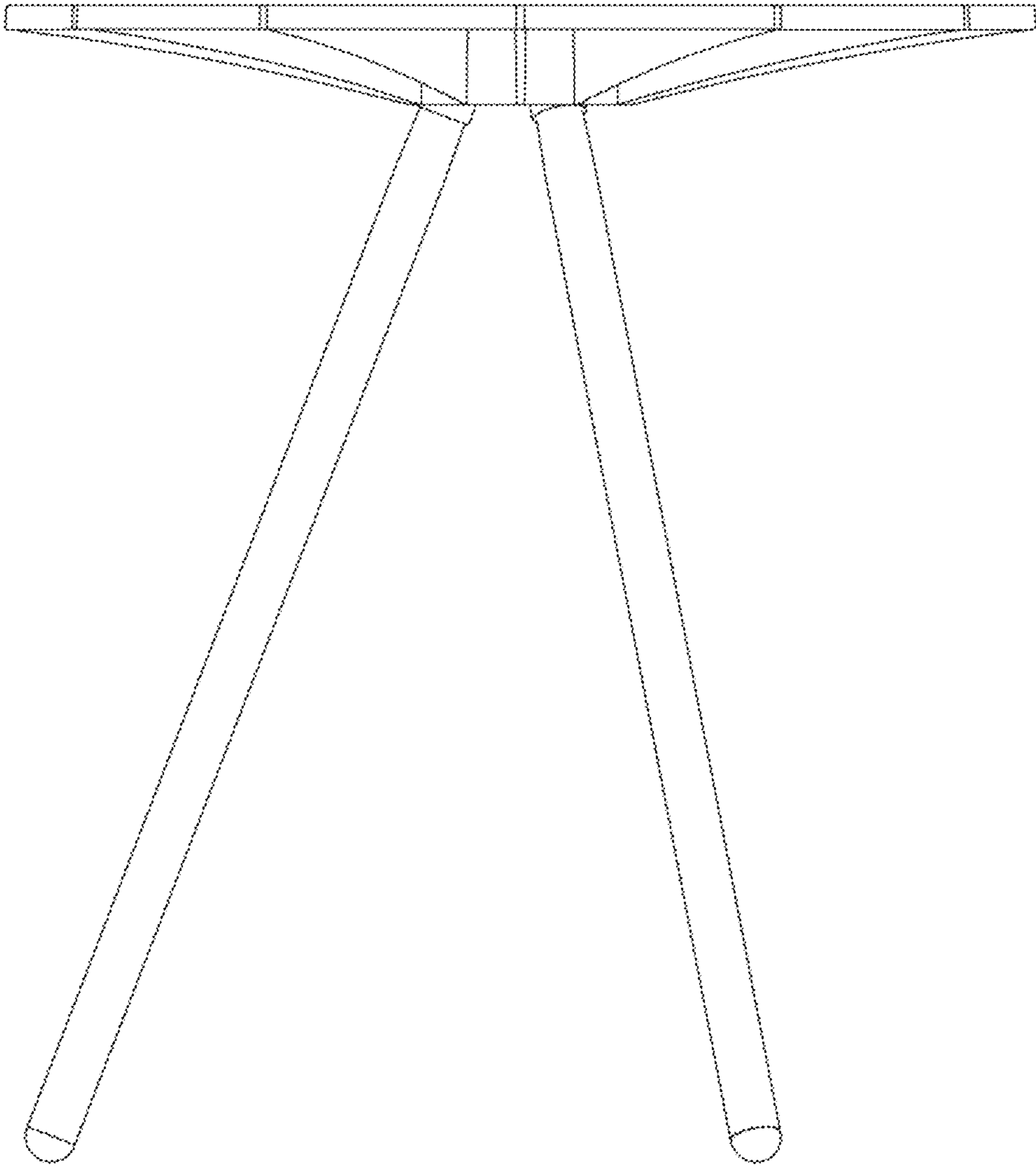
1.2



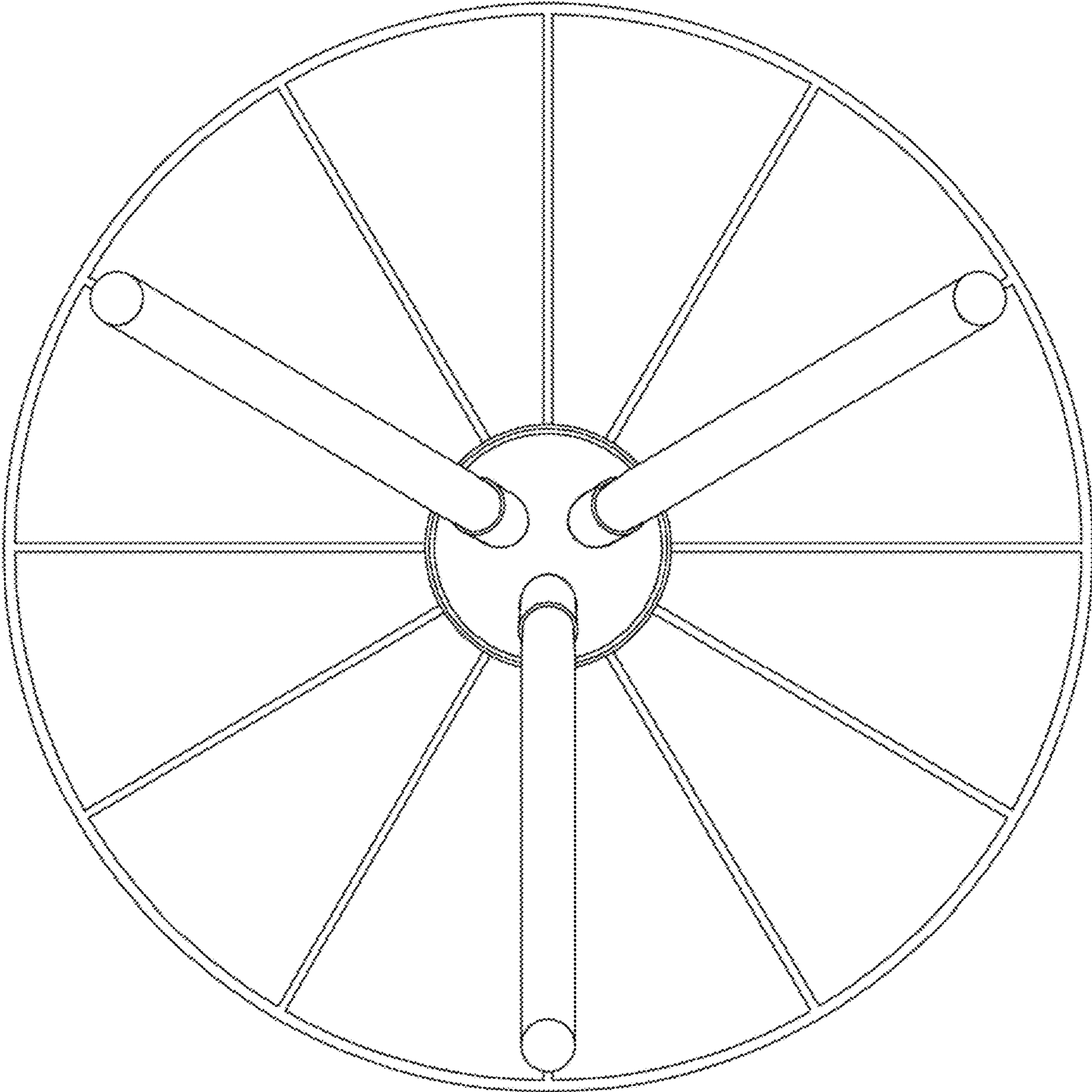
1.3



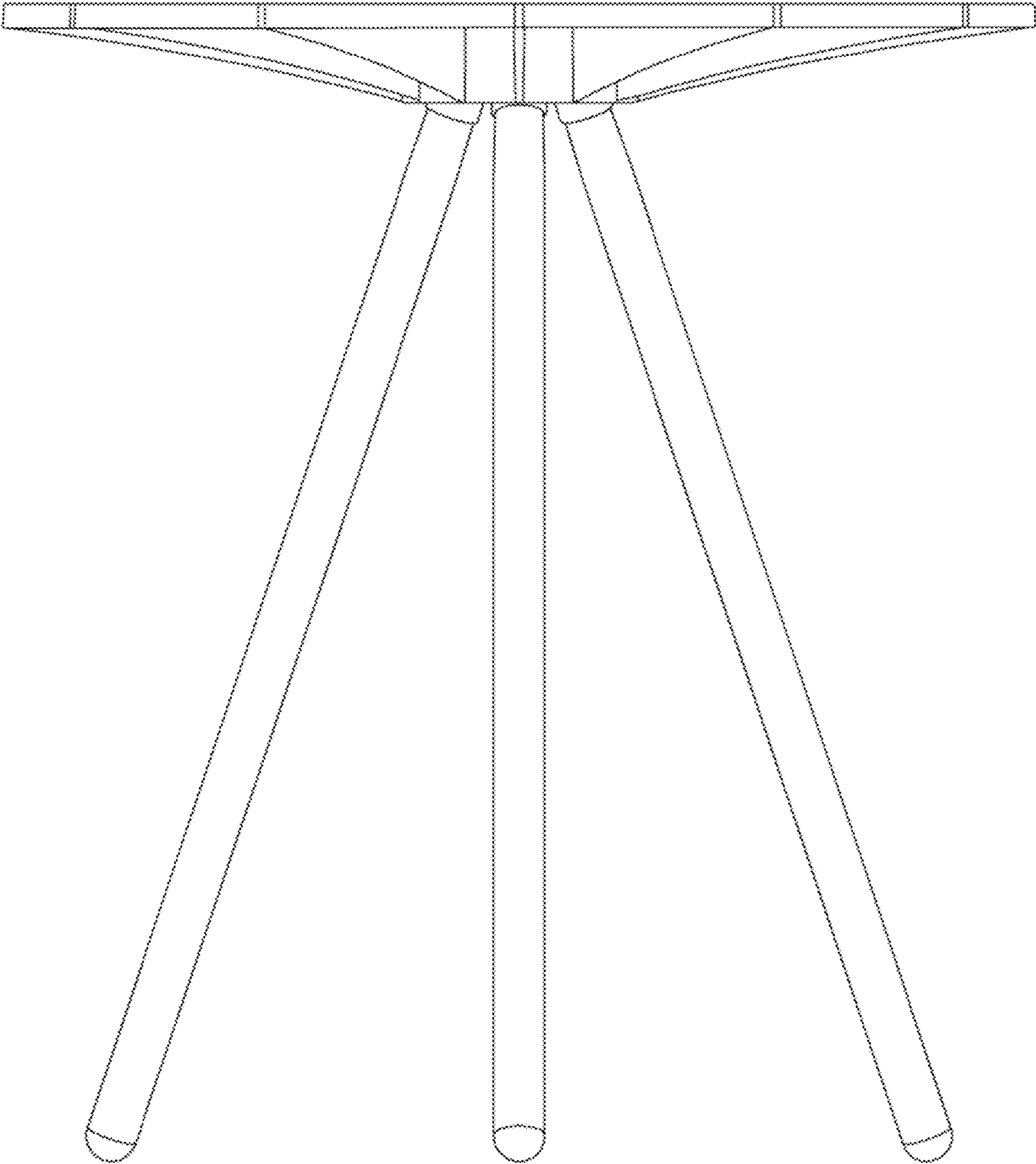
1.4



1.5



1.6



1.7

